



## CIRCULAR

Designer: Benedito Design

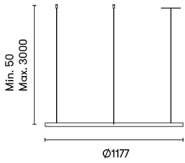
CF5B-00A9AZDU05 V0

### Finitura

Nero  
Opal  
NA

### Materiale

Alluminio  
Policarbonato



### CARATTERISTICHE TECNICHE

#### Fonte di illuminazione

Fonte di illuminazione: LED  
HONGLITRONIC  
Potenza (w): 63.5W  
Consumo totale (W): 70 W  
Temperatura del colore: Bianco caldo -  
2400K  
CRI: 90  
Rischio fotobiologico: RG0  
Lumen reali: 2713  
No Leds: 864  
Lm/W reali: 39  
Vita utile: 50.000h L80B20  
Bin / Grup: Y34  
MacAdam steps: 5  
UGR: 6.0

#### DISPOSITIVO

Marchio: MEAN WELL  
Dispositivo incluso: Sì, elettronico  
Voltaggio / Frequenza: 100-305 VAC  
Fattore di potenza: 0.97  
Protocollo di regolazione: Dali  
Flickering: 0.3%

#### Luminaria

Garanzia: 5 Anni

#### Logistica

Efficienza energetica: LED A++  
Codice EAN: 8435526857692  
Peso netto (Kg): 6.000  
Peso in kg (imballato): 13.000  
Imballaggio: 1300 x 1300 x 150  
Scatola master: 1

# LEDS C4<sup>®</sup>

## Luminaria

Código CF5B-00A9AZDU05  
Nombre CIRCULAR

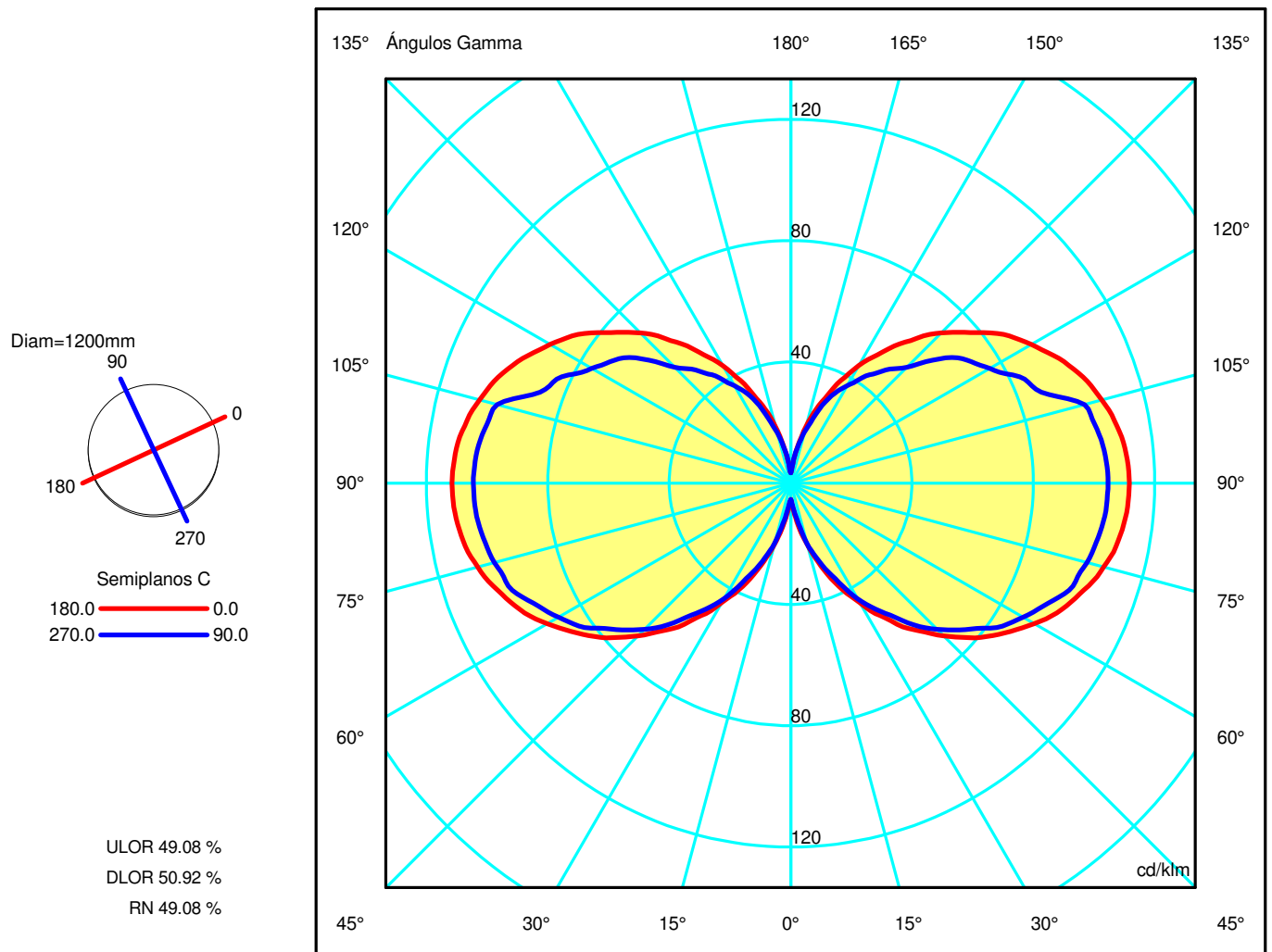
## Ensayo

Código CF5B-00A9AZDU05  
Nombre CIRCULAR

Flujo Luminaria	2713.25 lm	Potencia luminaria	70.00 W	Eficacia	38.76 lm/W	Eficiencia	100.00%
Flujo de Lámpara	2713.25 lm	Valor Máximo	111.57 cd/klm	Posición	C=0.00 G=90.00	CG	Bisimétrico
Luminaria Redonda		Diam.	1200 mm	Altura	30 mm		
Área Luminosa Redonda		Diam.	1140 mm	Altura	28 mm		
Área Luminosa Horizontal		1.020703 m2		Área Emisión sobre Pl. 180°		0.031920 m2	
Área Emisión sobre Pl. 0°		0.031920 m2		Área Emisión sobre Pl. 270°		0.031920 m2	
Área Emisión sobre Pl. 90°		0.031920 m2		Área de deslumbramiento a 76°		0.277902 m2	
Sist. de Coorden.		CG		Tipo de Simetría		Bisimétrico	
Fecha		30-05-2018		Máximo Ángulo Gamma		180	
Distancia de Ensayo		0.00		Flujo de Ensayo		3946.54 lm	
Operador		qualitat		Tensión de alimentación [V]			
Temperatura		25.00 °C		Corriente de alimentación [A]			
Humedad		60.00 %		Fotocélula			
Notas							

## Lámparas de la Luminaria

Familia	Código	Nombre	Flujo [lm]	Pot. [W]	Cant.
	CF4B-00X9AZOU05	CF4B-00X9AZOU05	2713.25	70.00	1
C.I.E.	13 37 67 51 100	D DIN 5040	C11		
F UTE	--	B NBN	BZ 10		



**Luminaria**

Código CF5B-00A9AZDU05

Nombre CIRCULAR

**Ensayo**

Código CF5B-00A9AZDU05

Nombre CIRCULAR

Flujo Luminaria	2713.25 lm	Potencia luminaria	70.00 W	Eficacia	38.76 lm/W	Eficiencia	100.00%
Flujo de Lámpara	2713.25 lm	Valor Máximo	111.57 cd/klm	Posición	C=0.00 G=90.00	CG	Bisimétrico

**Tabla de Intensidad Luminosa cd/klm Tabla 1/1**

	C 0.00	C 15.00	C 30.00	C 45.00	C 60.00	C 75.00	C 90.00
G 0.0	5.36	5.36	5.36	5.36	5.36	5.36	5.36
G 2.5	6.43	5.85	6.16	5.81	5.97	5.44	5.94
G 5.0	8.53	7.74	7.68	7.27	7.69	6.99	7.29
G 7.5	10.68	10.04	10.43	10.22	10.06	9.83	9.59
G 10.0	14.18	13.22	13.38	13.21	13.27	13.28	12.38
G 12.5	17.42	16.34	16.80	16.86	16.95	16.53	15.83
G 15.0	20.81	20.51	20.73	20.25	20.26	19.87	20.49
G 17.5	24.87	24.06	24.27	24.21	24.63	23.85	23.84
G 20.0	28.95	28.01	28.38	28.26	28.47	27.97	27.46
G 22.5	33.31	32.16	32.48	32.50	32.42	31.88	31.13
G 25.0	37.46	35.78	36.25	36.69	36.94	36.13	34.75
G 27.5	41.48	40.57	40.79	40.58	40.83	40.03	39.30
G 30.0	45.30	44.46	44.87	45.00	45.03	44.00	44.02
G 32.5	50.44	48.82	48.74	49.10	49.57	48.13	47.84
G 35.0	54.09	52.58	53.61	53.67	53.50	52.91	51.54
G 37.5	59.19	56.82	57.45	57.50	58.18	57.17	55.25
G 40.0	62.97	61.11	61.60	61.76	62.11	60.68	60.01
G 42.5	66.90	65.17	65.87	65.60	66.12	64.36	64.45
G 45.0	71.20	68.88	69.40	69.57	70.33	68.29	68.12
G 47.5	75.08	72.71	73.94	73.82	73.99	72.16	71.63
G 50.0	79.29	76.61	77.27	77.38	78.16	76.66	75.06
G 52.5	82.73	80.23	80.57	81.01	81.55	79.62	78.54
G 55.0	86.06	83.87	84.23	84.17	84.64	82.91	82.93
G 57.5	89.35	86.90	87.43	87.54	88.05	84.81	85.73
G 60.0	92.61	89.92	90.71	90.85	91.22	88.28	88.41
G 62.5	95.83	92.86	93.53	93.55	94.03	91.63	90.98
G 65.0	98.49	95.18	96.03	96.31	96.91	93.84	93.54
G 67.5	100.74	97.71	98.64	98.55	99.04	96.41	96.68
G 70.0	102.85	100.02	100.75	100.85	101.15	98.66	98.98
G 72.5	105.15	102.34	102.55	102.70	103.17	100.38	99.65
G 75.0	106.72	103.87	104.54	104.55	104.75	102.23	101.07
G 77.5	108.46	104.97	105.87	105.90	106.43	103.78	102.05
G 80.0	109.58	106.29	107.07	107.09	107.49	104.73	102.88
G 82.5	110.44	107.56	108.02	107.97	108.32	105.55	103.67
G 85.0	111.09	107.91	108.61	108.58	108.97	106.26	104.22
G 87.5	111.44	108.25	109.01	109.00	109.32	106.64	104.42
G 90.0	111.57	108.98	109.09	109.06	109.43	106.69	104.59
G 92.5	111.39	108.86	108.88	108.88	109.28	106.50	104.42
G 95.0	110.96	108.40	108.39	108.53	108.91	106.21	104.05
G 97.5	110.33	107.67	107.79	107.81	108.27	105.81	103.43
G100.0	109.10	106.52	106.87	106.71	107.24	104.86	102.47
G102.5	107.90	104.87	105.50	105.55	106.01	103.26	101.45
G105.0	106.16	103.48	104.09	103.97	104.46	99.54	100.21
G107.5	104.44	101.52	102.24	102.35	102.65	93.19	94.01
G110.0	102.54	99.34	100.16	100.27	99.66	89.68	87.90
G112.5	100.02	97.31	98.08	98.08	95.87	87.74	85.42
G115.0	97.53	94.97	95.11	95.32	92.58	84.99	83.24
G117.5	94.35	92.29	92.61	92.66	88.60	80.90	78.73
G120.0	91.58	89.04	89.91	89.60	84.88	77.78	75.78
G122.5	88.64	85.62	86.53	86.29	81.31	75.38	73.05
G125.0	85.59	82.52	83.43	82.62	76.75	72.86	70.89
G127.5	81.59	79.29	79.60	78.13	72.94	70.21	68.16
G130.0	77.31	75.42	76.04	74.37	68.77	66.07	63.84
G132.5	73.78	71.90	72.49	70.05	64.86	61.52	58.91
G135.0	70.10	67.49	68.18	66.21	61.48	57.52	54.06
G137.5	66.33	64.06	64.21	61.87	57.88	53.28	51.32
G140.0	61.49	59.84	60.12	58.01	54.22	50.09	48.75
G142.5	57.58	56.01	55.55	53.80	50.53	46.39	45.58
G145.0	52.88	51.99	51.60	49.55	46.92	43.17	43.25
G147.5	48.86	46.93	47.21	45.72	43.98	40.53	39.77
G150.0	44.89	43.17	42.82	41.72	40.96	37.96	37.14
G152.5	40.07	39.06	39.01	37.48	36.54	34.64	34.65
G155.0	36.13	34.85	34.09	33.14	32.94	31.70	31.82
G157.5	31.21	30.68	30.36	29.12	28.83	28.03	28.40
G160.0	27.38	26.79	26.67	25.12	25.10	24.74	24.34
G162.5	23.59	22.49	21.99	21.40	21.49	21.18	20.45
G165.0	19.39	18.42	18.43	18.00	18.01	17.64	17.32
G167.5	15.20	14.66	14.48	14.11	14.51	14.41	14.18
G170.0	11.19	11.16	11.19	11.15	11.18	10.71	11.34
G172.5	8.14	8.38	8.24	7.98	8.15	7.82	8.55
G175.0	5.65	5.27	5.47	5.58	5.76	5.57	5.33
G177.5	3.92	3.73	3.88	3.82	4.02	3.84	3.95
G180.0	3.45	3.45	3.45	3.45	3.45	3.45	3.45

# LEDS C4<sup>®</sup>

## Luminaria

Código CF5B-00A9AZDU05

Nombre CIRCULAR

## Ensayo

Código CF5B-00A9AZDU05

Nombre CIRCULAR

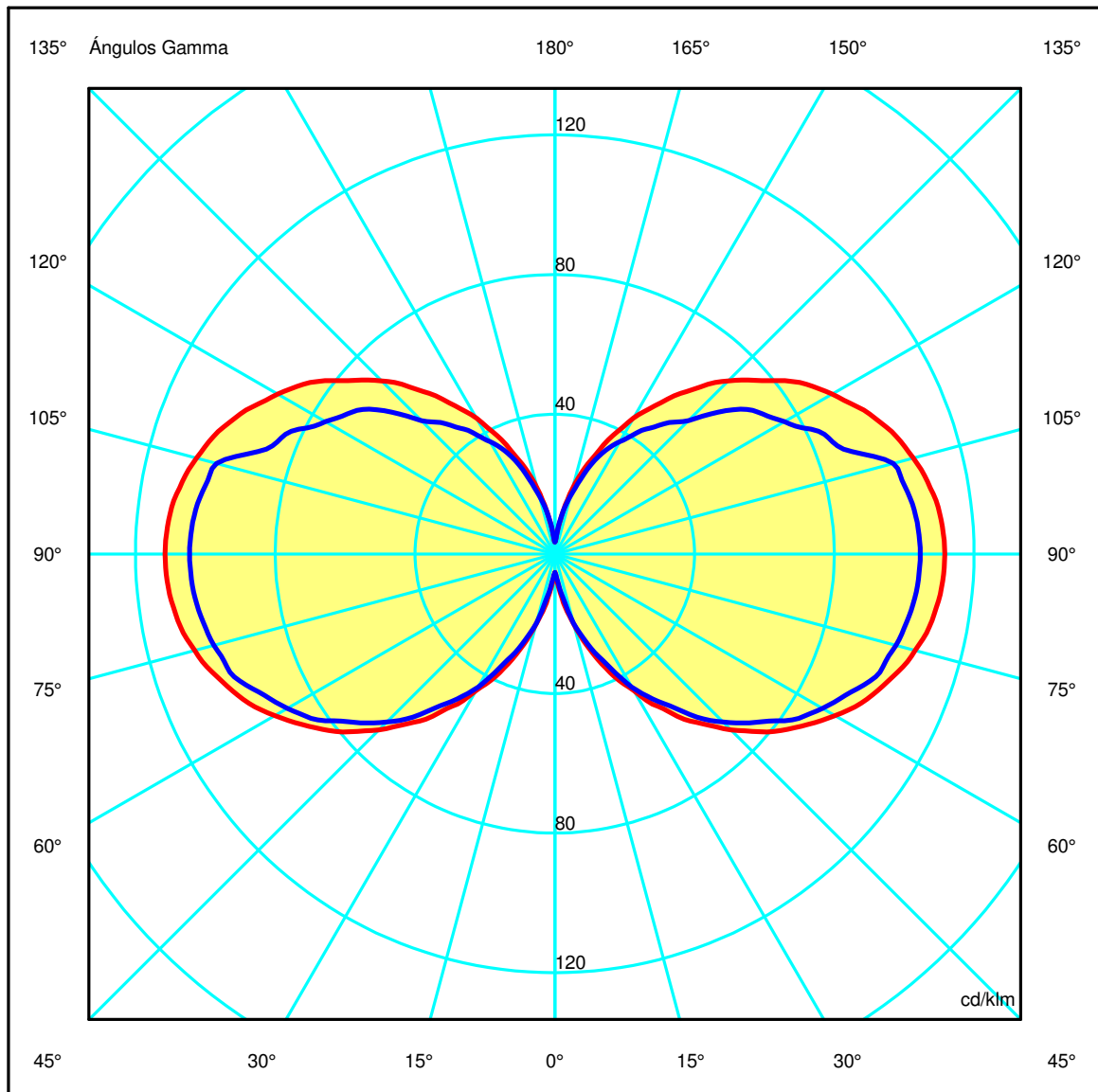
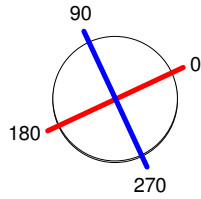
Flujo Luminaria	2713.25 lm	Potencia luminaria	70.00 W	Eficacia	38.76 lm/W	Eficiencia	100.00%
Flujo de Lámpara	2713.25 lm	Valor Máximo	111.57 cd/klm	Posición	C=0.00 G=90.00	CG	Bisimétrico

Diam=1200mm

Semiplanos C

180.0 ——— 0.0

270.0 ——— 90.0



# LEDS C4<sup>®</sup>

## Luminaria

Código CF5B-00A9AZDU05

Nombre CIRCULAR

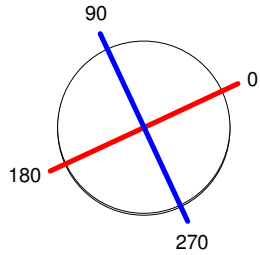
## Ensayo

Código CF5B-00A9AZDU05

Nombre CIRCULAR

Flujo Luminaria	2713.25 lm	Potencia luminaria	70.00 W	Eficacia	38.76 lm/W	Eficiencia	100.00%
Flujo de Lámpara	2713.25 lm	Valor Máximo	111.57 cd/klm	Posición	C=0.00 G=90.00	CG	Bisimétrico

Diam=1200mm



Semiplanos C



**Luminaria**

Código CF5B-00A9AZDU05

Nombre CIRCULAR

**Ensayo**

Código CF5B-00A9AZDU05

Nombre CIRCULAR

Flujo Luminaria	2713.25 lm	Potencia luminaria	70.00 W	Eficacia	38.76 lm/W	Eficiencia	100.00%
Flujo de Lámpara	2713.25 lm	Valor Máximo	111.57 cd/klm	Posición	C=0.00 G=90.00	CG	Bisimétrico

**UGR**  
S = 0.250

Reflectancias										
Ceiling/Cavity	0.7	0.7	0.5	0.5	0.3	0.7	0.7	0.5	0.5	0.3
Walls	0.5	0.3	0.5	0.3	0.3	0.5	0.3	0.5	0.3	0.3
WorkingPlane	0.2	0.2	0.2	0.2	0.2	0.2	0.2	0.2	0.2	0.2
RoomDimensions	Viewed Crosswise					Viewed Endwise				
x=2H y=2H	6.1	7.1	6.9	8.0	9.2	6.0	7.0	6.9	7.9	9.1
x=2H y=3H	9.9	10.8	10.8	11.8	13.0	9.8	10.7	10.7	11.6	12.9
x=2H y=4H	12.0	12.9	12.9	13.8	15.1	11.8	12.7	12.7	13.7	14.9
x=2H y=6H	14.3	15.1	15.2	16.0	17.3	14.0	14.8	15.0	15.8	17.1
x=2H y=8H	15.5	16.3	16.4	17.2	18.5	15.2	16.0	16.1	17.0	18.2
x=2H y=12H	16.8	17.6	17.7	18.5	19.8	16.5	17.2	17.4	18.2	19.5
x=4H y=2H	7.4	8.3	8.3	9.3	10.5	7.4	8.3	8.3	9.2	10.5
x=4H y=3H	11.3	12.0	12.2	13.0	14.3	11.2	12.0	12.2	12.9	14.2
x=4H y=4H	13.4	14.1	14.4	15.1	16.4	13.3	14.0	14.3	15.0	16.3
x=4H y=6H	15.8	16.4	16.8	17.4	18.7	15.6	16.3	16.6	17.3	18.6
x=4H y=8H	17.1	17.7	18.1	18.7	20.0	16.9	17.5	17.9	18.5	19.8
x=4H y=12H	18.5	19.0	19.5	20.0	21.3	18.2	18.8	19.2	19.8	21.1
x=8H y=4H	14.3	14.9	15.3	15.9	17.2	14.3	14.8	15.2	15.8	17.2
x=8H y=6H	16.9	17.4	17.9	18.4	19.7	16.8	17.3	17.8	18.3	19.6
x=8H y=8H	18.3	18.8	19.3	19.8	21.1	18.2	18.6	19.2	19.7	21.0
x=8H y=12H	19.9	20.3	20.9	21.3	22.7	19.7	20.1	20.7	21.2	22.5
x=12H y=4H	14.6	15.1	15.6	16.1	17.5	14.5	15.1	15.5	16.1	17.4
x=12H y=6H	17.2	17.7	18.3	18.7	20.1	17.2	17.6	18.2	18.6	20.0
x=12H y=8H	18.8	19.2	19.8	20.2	21.6	18.7	19.1	19.7	20.1	21.5

## Luminaria

Código CF5B-00A9AZDU05

Nombre CIRCULAR

## Ensayo

Código CF5B-00A9AZDU05

Nombre CIRCULAR

Flujo Luminaria	2713.25 lm	Potencia luminaria	70.00 W	Eficacia	38.76 lm/W	Eficiencia	100.00%
Flujo de Lámpara	2713.25 lm	Valor Máximo	111.57 cd/klm	Posición	C=0.00 G=90.00	CG	Bisimétrico

Flujo Total=2713.25 Flujo Luminaria=2713.25

RI	0.60	0.80	1.00	1.25	1.50	2.00	2.50	3.00	4.00	5.00	10.00	20.00
DRR	0.07	0.12	0.17	0.22	0.27	0.35	0.42	0.47	0.55	0.60	0.75	0.84
RC	-	-	-	-	-	-	-	-	-	-	-	-

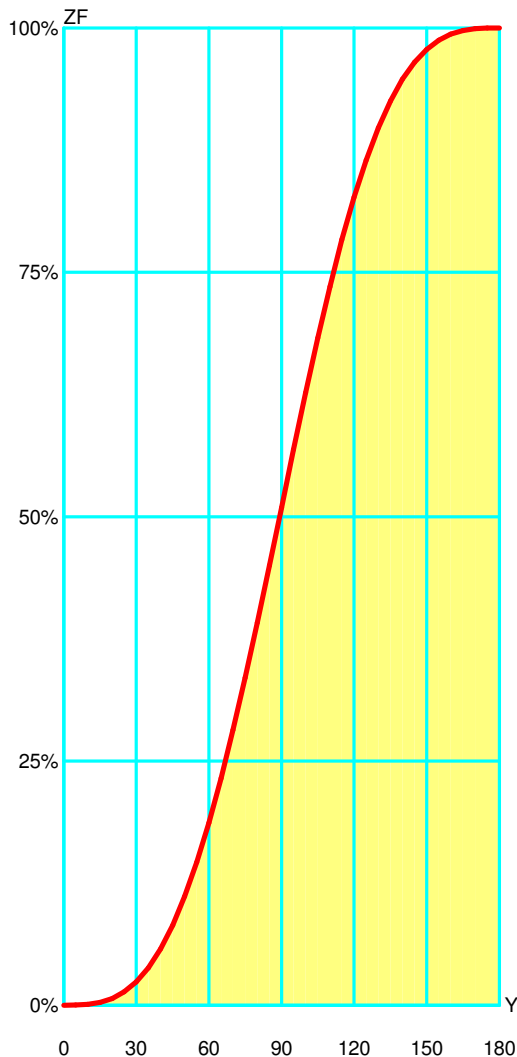
Flujo Zonal por 1000 Lúmenes

Y°	10	20	30	40	50	60	70	80	90	100	110	120	130	140	150	160	170	180
ZF(Y)	1	7	24	58	111	187	282	392	509	627	735	827	898	948	978	994	999	1000

Códigos de Flujo C.I.E.

13 37 67 51 100

C.I.E.	-/-/-/-/-/-/-/-/-/-	LOR	100.00000 %
D DIN 5040	C11	ULOR	49.07867 %
F UTE	--	DLOR	50.92133 %
B NBN	BZ 10	UFF	49.07867 %
RN	49.07867 %	DFF	50.92133 %
BLF	1.0	FFR	96.38135 %



Gamma °	Flujo Zonal			
	Flujo	Suma lm	Flujo [%]	Suma [%]
0°	0.00	0.00	0.00%	0.00 %
5°	0.15	0.15	0.02 %	0.02 %
10°	0.75	0.91	0.08 %	0.09 %
15°	2.01	2.91	0.20 %	0.29 %
20°	4.02	6.94	0.40 %	0.69 %
25°	6.79	13.73	0.68 %	1.37 %
30°	10.28	24.00	1.03 %	2.40 %
35°	14.43	38.43	1.44 %	3.84 %
40°	19.16	57.59	1.92 %	5.76 %
45°	24.25	81.84	2.42 %	8.18 %
50°	29.64	111.48	2.96 %	11.15 %
55°	35.07	146.55	3.51 %	14.66 %
60°	40.27	186.83	4.03 %	18.68 %
65°	45.26	232.09	4.53 %	23.21 %
70°	49.69	281.78	4.97 %	28.18 %
75°	53.44	335.22	5.34 %	33.52 %
80°	56.35	391.57	5.64 %	39.16 %
85°	58.33	449.90	5.83 %	44.99 %
90°	59.32	509.21	5.93 %	50.92 %
95°	59.32	568.54	5.93 %	56.85 %
100°	58.29	626.83	5.83 %	62.68 %
105°	56.11	682.94	5.61 %	68.29 %
110°	52.40	735.34	5.24 %	73.53 %
115°	48.06	783.40	4.81 %	78.34 %
120°	43.27	826.67	4.33 %	82.67 %
125°	38.21	864.88	3.82 %	86.49 %
130°	32.95	897.83	3.29 %	89.78 %
135°	27.44	925.27	2.74 %	92.53 %
140°	22.24	947.52	2.22 %	94.75 %
145°	17.49	965.00	1.75 %	96.50 %
150°	13.23	978.23	1.32 %	97.82 %
155°	9.48	987.70	0.95 %	98.77 %
160°	6.21	993.92	0.62 %	99.39 %
165°	3.62	997.54	0.36 %	99.75 %
170°	1.75	999.29	0.17 %	99.93 %
175°	0.61	999.89	0.06 %	99.99 %
180°	0.11	1000.00	0.01 %	100.00 %

**Luminaria**

Código CF5B-00A9AZDU05

Nombre CIRCULAR

**Ensayo**

Código CF5B-00A9AZDU05

Nombre CIRCULAR

Flujo Luminaria	2713.25 lm	Potencia luminaria	70.00 W	Eficacia	38.76 lm/W	Eficiencia	100.00%
Flujo de Lámpara	2713.25 lm	Valor Máximo	111.57 cd/klm	Posición	C=0.00 G=90.00	CG	Bisimétrico

## Utilización CIE

Montaje	Directo	Normalización										Normalizados										Raz. de Susp. 1/3			CIE Estándar									
Techo																																		
K	8873	8773	8871	8771	7773	7771	7753	7553	7751	7551	7731	7331	7711	7111	5551	5531	5331	5511	5111	3331	3311	1111	0000											
0.60	561	504	531	479	479	458	415	353	403	344	366	276	340	231	321	295	261	276	220	248	233	202	184											
0.80	623	571	576	532	543	508	470	411	448	394	406	323	374	273	369	338	305	314	261	290	271	238	218											
1.00	665	619	603	564	589	540	511	456	479	430	434	358	399	306	403	370	339	343	292	322	301	268	245											
1.25	702	661	622	589	629	566	550	500	506	462	459	391	422	338	435	399	371	370	323	353	330	297	273											
1.50	728	692	632	604	659	582	580	534	524	485	477	415	439	363	457	421	395	391	348	377	353	321	294											
2.00	762	732	641	620	698	599	623	583	546	515	502	450	464	399	488	452	430	422	384	412	387	357	327											
2.50	782	757	643	626	723	607	653	618	559	533	517	474	481	425	507	473	454	443	410	436	411	383	351											
3.00	796	774	643	629	740	611	674	643	567	545	528	490	494	445	520	488	471	459	430	453	429	402	368											
4.00	812	796	639	629	761	614	704	679	576	559	542	512	511	472	536	507	494	481	457	477	454	430	393											
5.00	822	808	636	628	774	614	723	702	581	567	551	526	523	489	546	520	508	496	475	492	471	449	409											
10.00	839	832	622	618	799	608	766	754	587	580	568	555	549	531	563	545	539	529	517	525	510	492	446											
20.00	846	842	610	608	809	600	790	783	588	584	576	569	564	555	569	558	555	548	542	542	532	518	467											

## Pared

K	8873	8773	8871	8771	7773	7771	7753	7553	7751	7551	7731	7331	7711	7111	5551	5531	5331	5511	5111	3331	3311	1111	0000
0.60	436	406	399	373	389	359	307	278	290	264	243	208	209	172	251	213	200	185	166	192	168	156	142
0.80	520	488	466	441	465	423	379	348	353	326	302	265	265	223	306	266	251	235	213	240	213	197	179
1.00	585	555	518	494	527	472	439	404	404	377	352	314	313	268	352	311	296	278	255	280	253	232	212
1.25	651	622	567	546	588	521	502	470	455	430	404	366	363	319	399	358	343	325	302	323	295	271	247
1.50	703	677	607	588	638	560	554	524	498	474	448	411	407	363	438	398	384	365	342	360	332	305	278
2.00	782	759	665	649	714	619	636	608	563	542	515	482	476	434	500	462	449	430	407	418	391	359	328
2.50	840	820	708	695	771	663	699	673	612	593	568	537	530	491	547	512	499	481	460	465	439	403	369
3.00	886	869	742	731	817	699	750	726	652	635	611	583	574	539	586	553	541	523	504	503	479	440	404
4.00	957	943	797	788	887	755	828	808	714	701	678	654	645	614	647	618	608	591	574	565	542	499	460
5.00	1000	998	839	832	940	798	888	870	762	751	730	710	700	673	695	668	660	643	628	613	593	547	505
10.00	1000	1000	971	967	1000	933	1000	1000	909	903	887	875	866	849	841	823	818	805	795	763	748	696	648
20.00	1000	1000	1000	1000	1000	1000	1000	1000	1000	1000	1000	1000	1000	1000	983	971	968	959	953	909	899	842	790

## P.Trab.

K	8873	8773	8871	8771	7773	7771	7753	7553	7751	7551	7731	7331	7711	7111	5551	5531	5331	5511	5111	3331	3311	1111	0000
0.60	378	345	353	324	325	305	225	196	216	189	156	121	112	76	171	122	109	85	68	99	67	53	37
0.80	471	436	434	404	406	378	299	265	285	254	219	175	169	122	225	172	156	131	108	139	104	83	62
1.00	547	511	498	468	473	436	363	326	343	310	274	226	220	166	272	217	199	173	146	175	138	111	86
1.25	621	586	560	532	540	494	430	391	403	369	333	283	277	218	322	266	247	221	191	215	177	142	114
1.50	680	647	607	581	593	539	486	447	452	419	382	331	325	265	363	308	288	262	231	249	211	170	138
2.00	767	737	676	654	674	605	573	536	526	496	459	411	403	344	427	375	356	330	298	305	268	217	181
2.50	828	801	722	703	730	651	637	603	578	551	516	472	463	406	474	425	407	382	351	347	312	253	214
3.00	872	849	756	739	772	684	686	654	618	593	560	518	509	455	509	463	447	422	394	380	347	281	240
4.00	933	914	801	788	831	730	756	728	673	653	622	586	576	529	559	519	504	482	456	428	398	324	279
5.00	974	957	830	819	869	759	803	779	709	692	664	633	622	581	593	557	544	523	501	461	434	354	307
10.00	1000	1000	894	889	958	826	916	901	795	785	765	747	737	711	674	650	642	627	613	544	525	431	380
20.00	1000	1000	932	929	1000	866	986	978	847	842	829	819	811	797	725	710	706	696	688	598	587	483	430

LM53 SHR C0-C180: 6.441    SHR C90-C270: 6.343    SHR Superficial: 2.900



---

**Luminaria**

Código CF5B-00A9AZDU05

Nombre CIRCULAR

**Ensayo**

Código CF5B-00A9AZDU05

Nombre CIRCULAR

---

Flujo Luminaria	2713.25 lm	Potencia luminaria	70.00 W	Eficacia	38.76 lm/W	Eficiencia	100.00%
Flujo de Lámpara	2713.25 lm	Valor Máximo	111.57 cd/klm	Posición	C=0.00 G=90.00	CG	Bisimétrico

---

Gamma 0-180 por encima del límite de di 89 grados

Gamma 0-180 por encima del límite de di 89 grados

Gamma 0-180 por encima del límite de di 89 grados

**Luminaria**

Código CF5B-00A9AZDU05

Nombre CIRCULAR

**Ensayo**

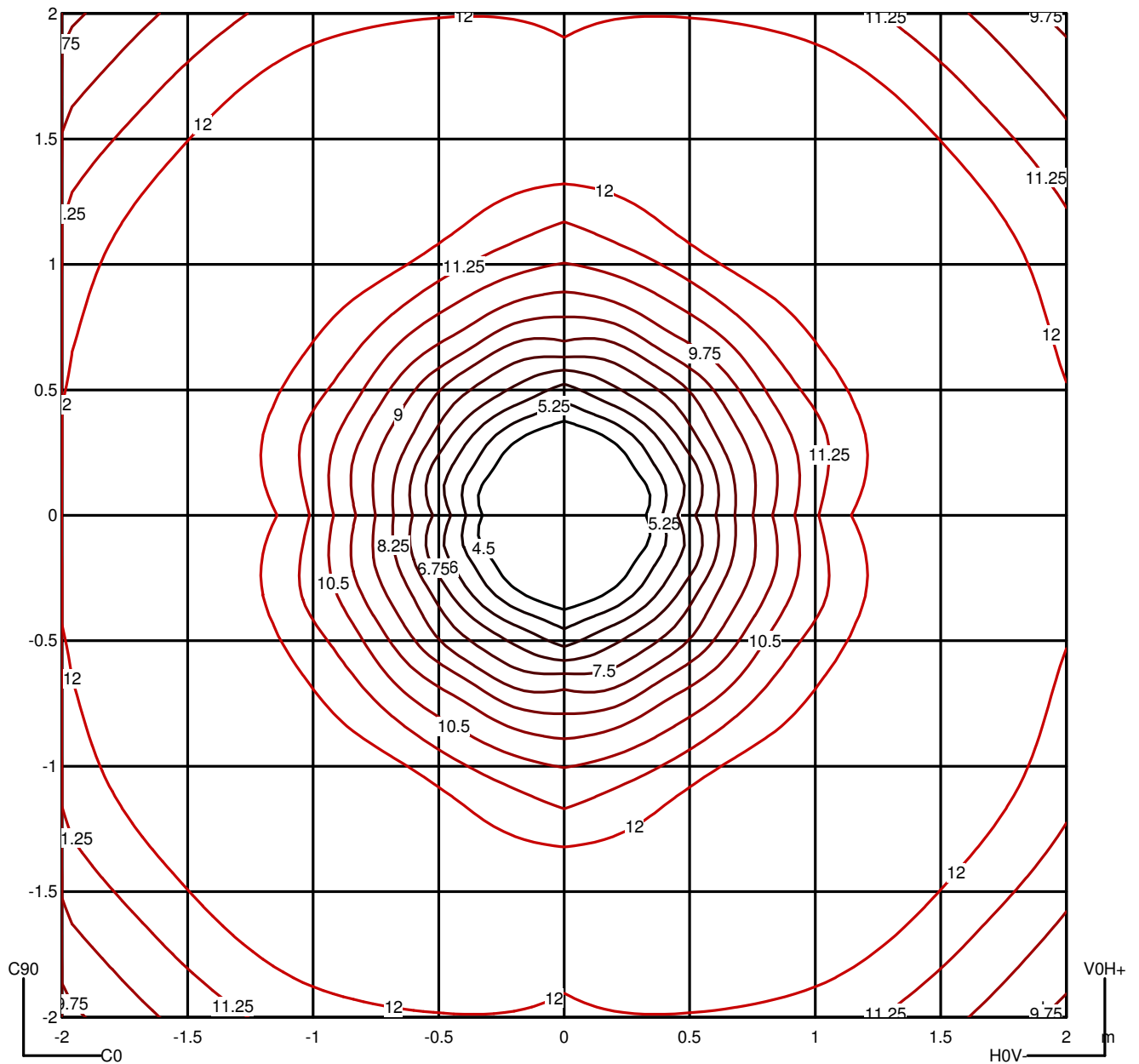
Código CF5B-00A9AZDU05

Nombre CIRCULAR

Flujo Luminaria	2713.25 lm	Potencia luminaria	70.00 W	Eficacia	38.76 lm/W	Eficiencia	100.00%
Flujo de Lámpara	2713.25 lm	Valor Máximo	111.57 cd/klm	Posición	C=0.00 G=90.00	CG	Bisimétrico

Isolux (Suelo)

Posición Luminaria X=0.00m Y=0.00m Z=2.50m



# LEDS C4<sup>®</sup>

## Luminaria

Código CF5B-00A9AZDU05

Nombre CIRCULAR

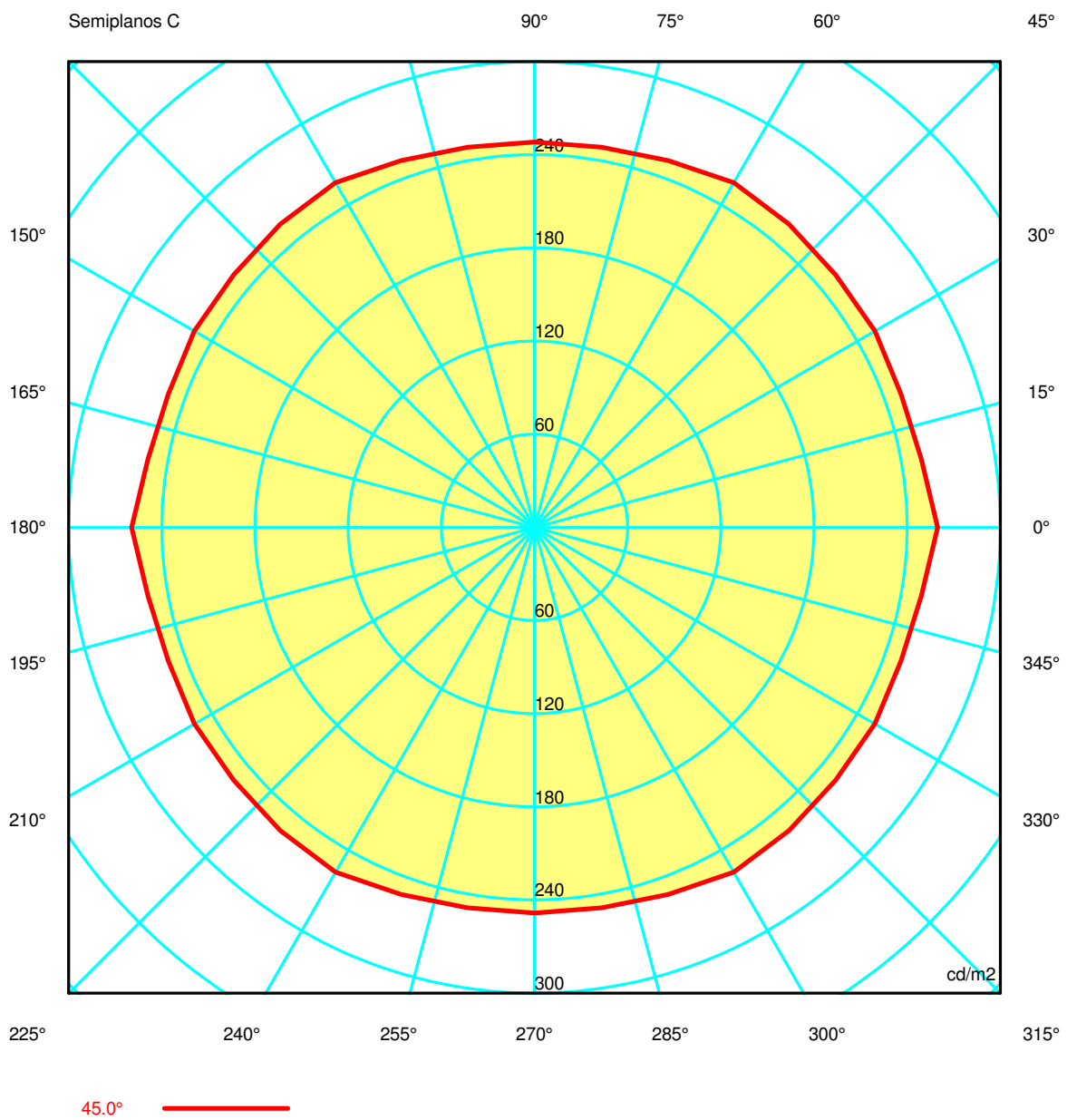
## Ensayo

Código CF5B-00A9AZDU05

Nombre CIRCULAR

Flujo Luminaria	2713.25 lm	Potencia luminaria	70.00 W	Eficacia	38.76 lm/W	Eficiencia	100.00%
Flujo de Lámpara	2713.25 lm	Valor Máximo	111.57 cd/klm	Posición	C=0.00 G=90.00	CG	Bisimétrico

Luminancia



**Luminaria**

Código CF5B-00A9AZDU05

Nombre CIRCULAR

**Ensayo**

Código CF5B-00A9AZDU05

Nombre CIRCULAR

Flujo Luminaria	2713.25 lm	Potencia luminaria	70.00 W	Eficacia	38.76 lm/W	Eficiencia	100.00%
Flujo de Lámpara	2713.25 lm	Valor Máximo	111.57 cd/klm	Posición	C=0.00 G=90.00	CG	Bisimétrico

**Luminance cd/m2 Tabla 1/3**

	C 0.00	C 10.00	C 20.00	C 30.00	C 40.00	C 50.00	C 60.00	C 70.00	C 80.00	C 90.00	C 100.00	C 110.00	C 120.00
G 0.0	14.24	14.24	14.24	14.24	14.24	14.24	14.24	14.24	14.24	14.24	14.24	14.24	14.24
G 5.0	22.70	21.06	20.50	20.43	19.52	19.70	20.45	19.22	18.51	19.41	18.51	19.22	20.45
G 10.0	38.07	36.01	35.45	35.93	35.68	35.52	35.62	35.85	35.07	33.23	35.07	35.85	35.62
G 15.0	56.80	56.05	56.21	56.57	55.68	55.21	55.28	54.47	54.49	55.92	54.49	54.47	55.28
G 20.0	80.98	78.80	78.50	79.38	79.16	79.22	79.63	78.84	77.70	76.81	77.70	78.84	79.63
G 25.0	108.28	104.43	103.42	104.81	105.74	106.47	106.78	105.52	103.19	100.45	103.19	105.52	106.78
G 30.0	136.58	134.48	134.21	135.27	135.59	135.92	135.75	133.62	132.27	132.73	132.27	133.62	135.75
G 35.0	171.78	167.69	167.60	170.24	170.36	170.22	169.88	168.92	166.77	163.66	166.77	168.92	169.88
G 40.0	212.91	207.89	206.68	208.31	208.63	209.47	210.00	206.95	204.00	202.92	204.00	206.95	210.00
G 45.0	259.56	252.89	251.06	252.98	253.16	254.92	256.37	251.54	248.74	248.33	248.74	251.54	256.37
G 50.0	316.12	307.59	306.31	308.05	308.22	309.68	311.61	308.27	303.29	299.26	303.29	308.27	311.61
G 55.0	381.80	374.09	372.60	373.67	373.28	374.09	375.50	370.40	366.78	367.90	366.78	370.40	375.50
G 60.0	467.04	456.14	453.75	457.46	457.80	459.69	460.06	450.00	443.44	445.87	443.44	450.00	460.06
G 65.0	580.58	564.95	561.11	566.04	566.98	569.99	571.22	559.21	552.54	551.39	552.54	559.21	571.22
G 70.0	736.13	719.93	717.61	721.07	721.50	723.57	723.93	711.73	704.33	708.40	704.33	711.73	723.93
G 75.0	981.48	960.63	957.38	961.46	961.54	963.33	963.42	948.52	934.71	929.57	934.71	948.52	963.42
G 80.0	1424.82	1390.64	1385.41	1392.18	1392.28	1395.64	1397.63	1375.35	1351.34	1337.66	1351.34	1375.35	1397.63
G 85.0	2495.97	2439.14	2429.86	2440.29	2439.84	2442.55	2448.41	2411.04	2368.75	2341.63	2368.75	2411.04	2448.41
G 90.0	9483.91	9312.69	9266.37	9272.94	9271.21	9280.91	9302.06	9158.91	8996.65	8889.89	8996.65	9158.91	9302.06

**Luminaria**

Código CF5B-00A9AZDU05

Nombre CIRCULAR

**Ensayo**

Código CF5B-00A9AZDU05

Nombre CIRCULAR

Flujo Luminaria	2713.25 lm	Potencia luminaria	70.00 W	Eficacia	38.76 lm/W	Eficiencia	100.00%
Flujo de Lámpara	2713.25 lm	Valor Máximo	111.57 cd/klm	Posición	C=0.00 G=90.00	CG	Bisimétrico

**Luminance cd/m2 Tabla 2/3**

	C 130.00	C 140.00	C 150.00	C 160.00	C 170.00	C 180.00	C 190.00	C 200.00	C 210.00	C 220.00	C 230.00	C 240.00	C 250.00
G 0.0	14.24	14.24	14.24	14.24	14.24	14.24	14.24	14.24	14.24	14.24	14.24	14.24	14.24
G 5.0	19.70	19.52	20.43	20.50	21.06	22.70	21.06	20.50	20.43	19.52	19.70	20.45	19.22
G 10.0	35.52	35.68	35.93	35.45	36.01	38.07	36.01	35.45	35.93	35.68	35.52	35.62	35.85
G 15.0	55.21	55.68	56.57	56.21	56.05	56.80	56.05	56.21	56.57	55.68	55.21	55.28	54.47
G 20.0	79.22	79.16	79.38	78.50	78.80	80.98	78.80	78.50	79.38	79.16	79.22	79.63	78.84
G 25.0	106.47	105.74	104.81	103.42	104.43	108.28	104.43	103.42	104.81	105.74	106.47	106.78	105.52
G 30.0	135.92	135.59	135.27	134.21	134.48	136.58	134.48	134.21	135.27	135.59	135.92	135.75	133.62
G 35.0	170.22	170.36	170.24	167.60	167.69	171.78	167.69	167.60	170.24	170.36	170.22	169.88	168.92
G 40.0	209.47	208.63	208.31	206.68	207.89	212.91	207.89	206.68	208.31	208.63	209.47	210.00	206.95
G 45.0	254.92	253.16	252.98	251.06	252.80	259.56	252.80	251.06	252.98	253.16	254.92	256.37	251.54
G 50.0	309.68	308.22	308.05	306.31	307.59	316.12	307.59	306.31	308.05	308.22	309.68	311.61	308.27
G 55.0	374.09	373.28	373.67	372.60	374.09	381.80	374.09	372.60	373.67	373.28	374.09	375.50	370.40
G 60.0	459.69	457.80	457.46	453.75	456.14	467.04	456.14	453.75	457.46	457.80	459.69	460.06	450.00
G 65.0	569.99	566.98	566.04	561.11	564.95	580.58	564.95	561.11	566.04	566.98	569.99	571.22	559.21
G 70.0	723.57	721.50	721.07	717.61	719.93	736.13	719.93	717.61	721.07	721.50	723.57	723.93	711.73
G 75.0	963.33	961.54	961.46	957.38	960.63	981.48	960.63	957.38	961.46	961.54	963.33	963.33	948.52
G 80.0	1395.64	1392.28	1392.18	1385.41	1390.64	1424.82	1390.64	1385.41	1392.18	1392.28	1395.64	1397.63	1375.35
G 85.0	2442.55	2439.84	2440.29	2429.86	2439.14	2495.97	2439.14	2429.86	2440.29	2439.84	2442.55	2448.41	2411.04
G 90.0	9280.91	9271.21	9272.94	9266.37	9312.69	9483.91	9312.69	9266.37	9272.94	9271.21	9280.91	9302.06	9158.91

**Luminaria**

Código CF5B-00A9AZDU05

Nombre CIRCULAR

**Ensayo**

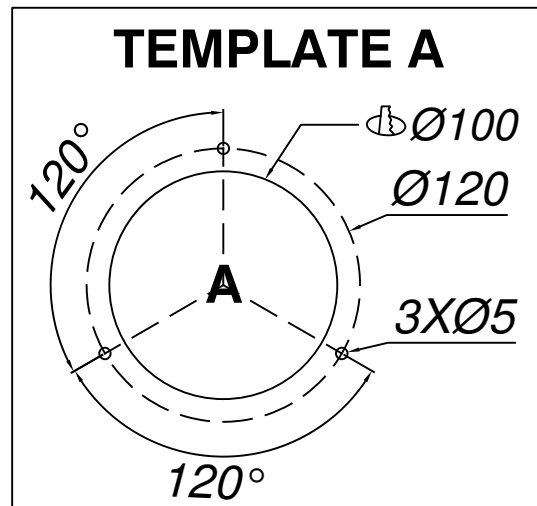
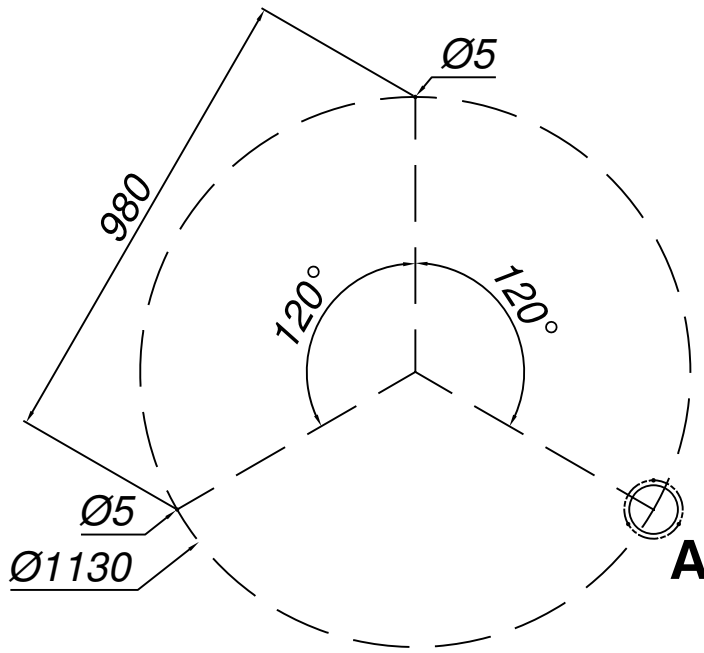
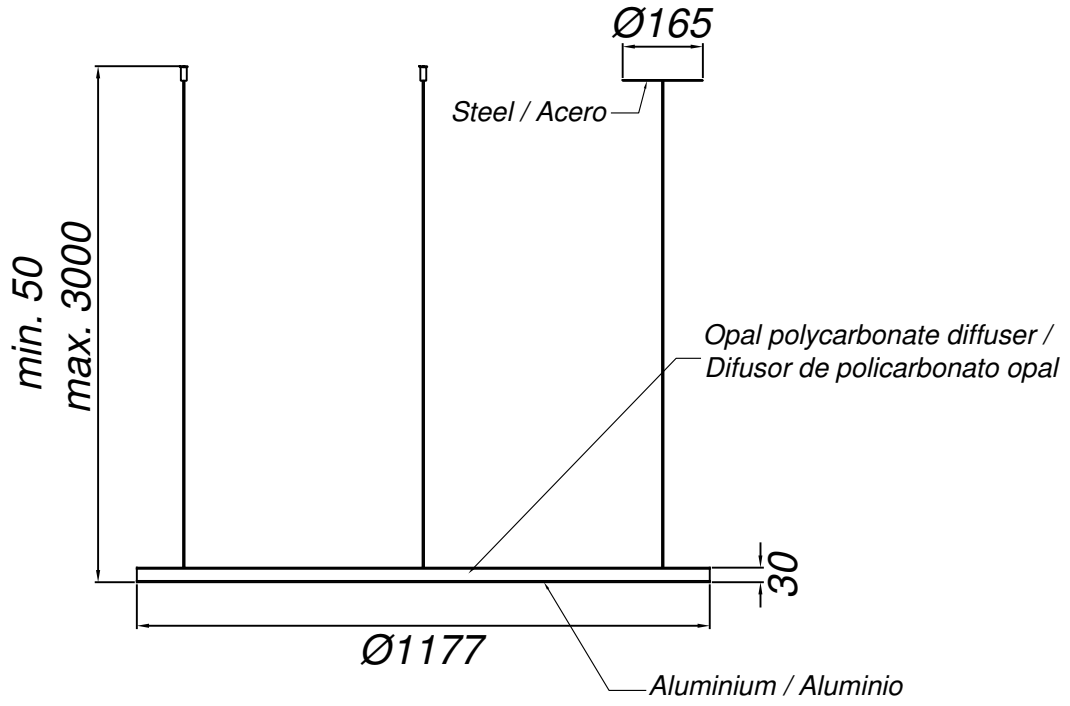
Código CF5B-00A9AZDU05

Nombre CIRCULAR

Flujo Luminaria	2713.25 lm	Potencia luminaria	70.00 W	Eficacia	38.76 lm/W	Eficiencia	100.00%
Flujo de Lámpara	2713.25 lm	Valor Máximo	111.57 cd/klm	Posición	C=0.00 G=90.00	CG	Bisimétrico

**Luminance cd/m2 Tabla 3/3**

	C 260.00	C 270.00	C 280.00	C 290.00	C 300.00	C 310.00	C 320.00	C 330.00	C 340.00	C 350.00
G 0.0	14.24	14.24	14.24	14.24	14.24	14.24	14.24	14.24	14.24	14.24
G 5.0	18.51	19.41	18.51	19.22	20.45	19.70	19.52	20.43	20.50	21.06
G 10.0	35.07	33.23	35.07	35.85	35.62	35.52	35.68	35.93	35.45	36.01
G 15.0	54.49	55.92	54.49	54.47	55.28	55.21	55.68	56.57	56.21	56.05
G 20.0	77.70	76.81	77.70	78.84	79.63	79.22	79.16	79.38	78.50	78.80
G 25.0	103.19	100.45	103.19	105.52	106.78	106.47	105.74	104.81	103.42	104.43
G 30.0	132.27	132.73	132.27	133.62	135.75	135.92	135.59	135.27	134.21	134.48
G 35.0	166.77	163.66	166.77	168.92	169.88	170.22	170.36	170.24	167.60	167.69
G 40.0	204.00	202.92	204.00	206.95	210.00	209.47	208.63	208.31	206.68	207.89
G 45.0	248.74	248.33	248.74	251.54	256.37	254.92	253.16	252.98	251.06	252.80
G 50.0	303.29	299.26	303.29	308.27	311.61	309.68	308.22	308.05	306.31	307.59
G 55.0	366.78	367.90	366.78	370.40	375.50	374.09	373.28	373.67	372.60	374.09
G 60.0	443.44	445.87	443.44	450.00	460.06	459.69	457.80	457.46	453.75	456.14
G 65.0	552.54	551.39	552.54	559.21	571.22	569.99	566.98	566.04	561.11	564.95
G 70.0	704.33	708.40	704.33	711.73	723.93	723.57	721.50	721.07	717.61	719.93
G 75.0	934.71	929.57	934.71	948.52	963.42	963.33	961.54	961.46	957.38	960.63
G 80.0	1351.34	1337.66	1351.34	1375.35	1397.63	1395.64	1392.28	1392.18	1385.41	1390.64
G 85.0	2368.75	2341.63	2368.75	2411.04	2448.41	2442.55	2439.84	2440.29	2429.86	2439.14
G 90.0	8996.65	8889.89	8996.65	9158.91	9302.06	9280.91	9271.21	9272.94	9266.37	9312.69



# Grok

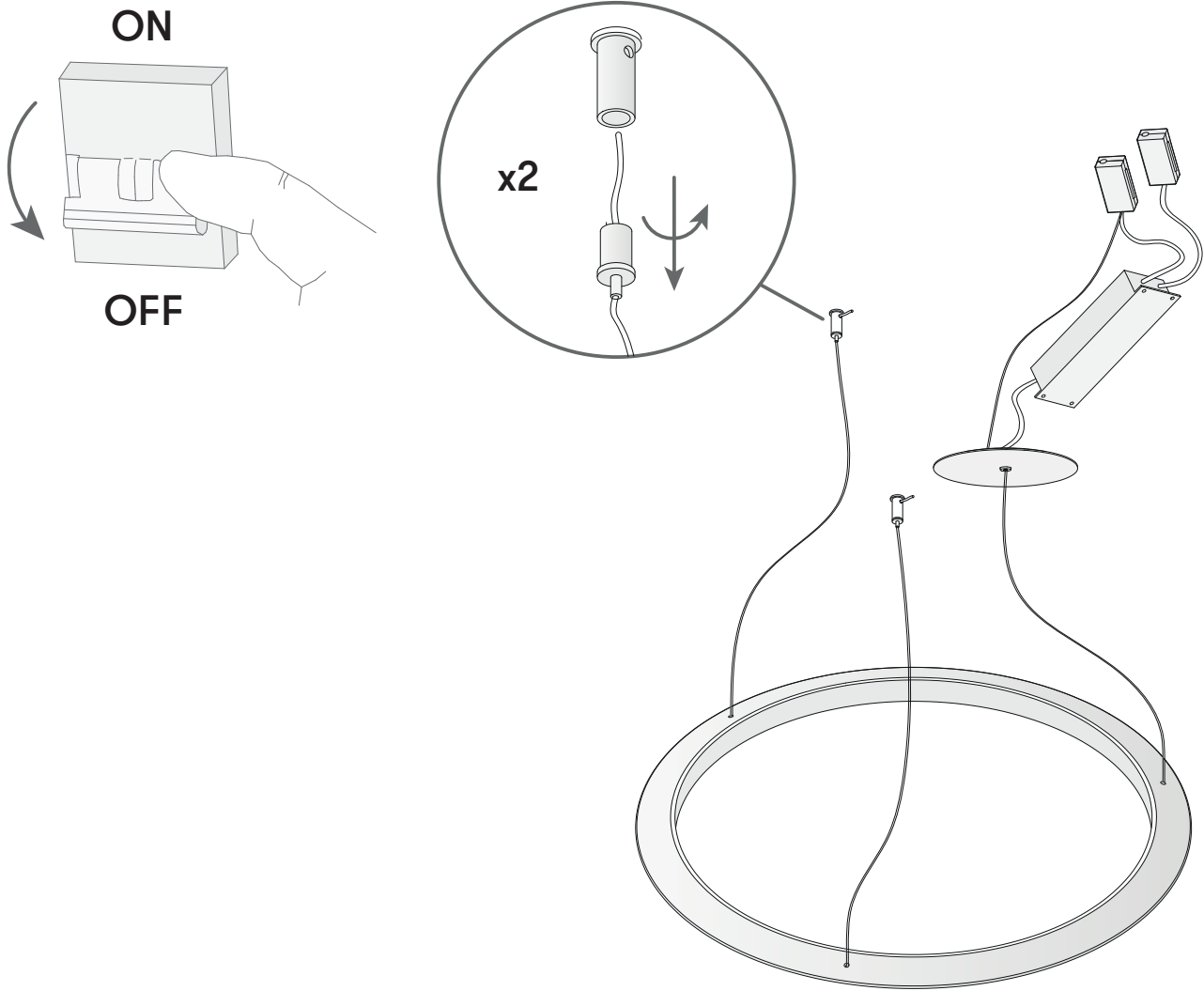
Light is life.

Circular  
Outward | Canopy 5 | Ø1200

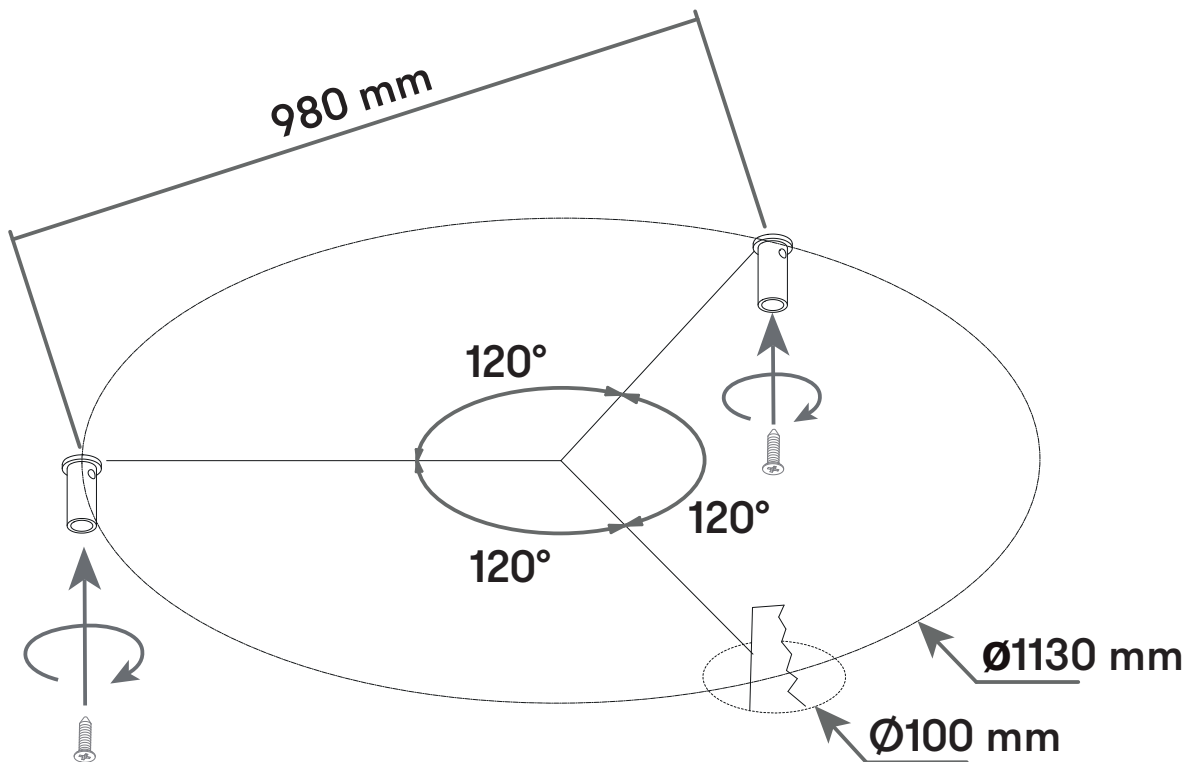


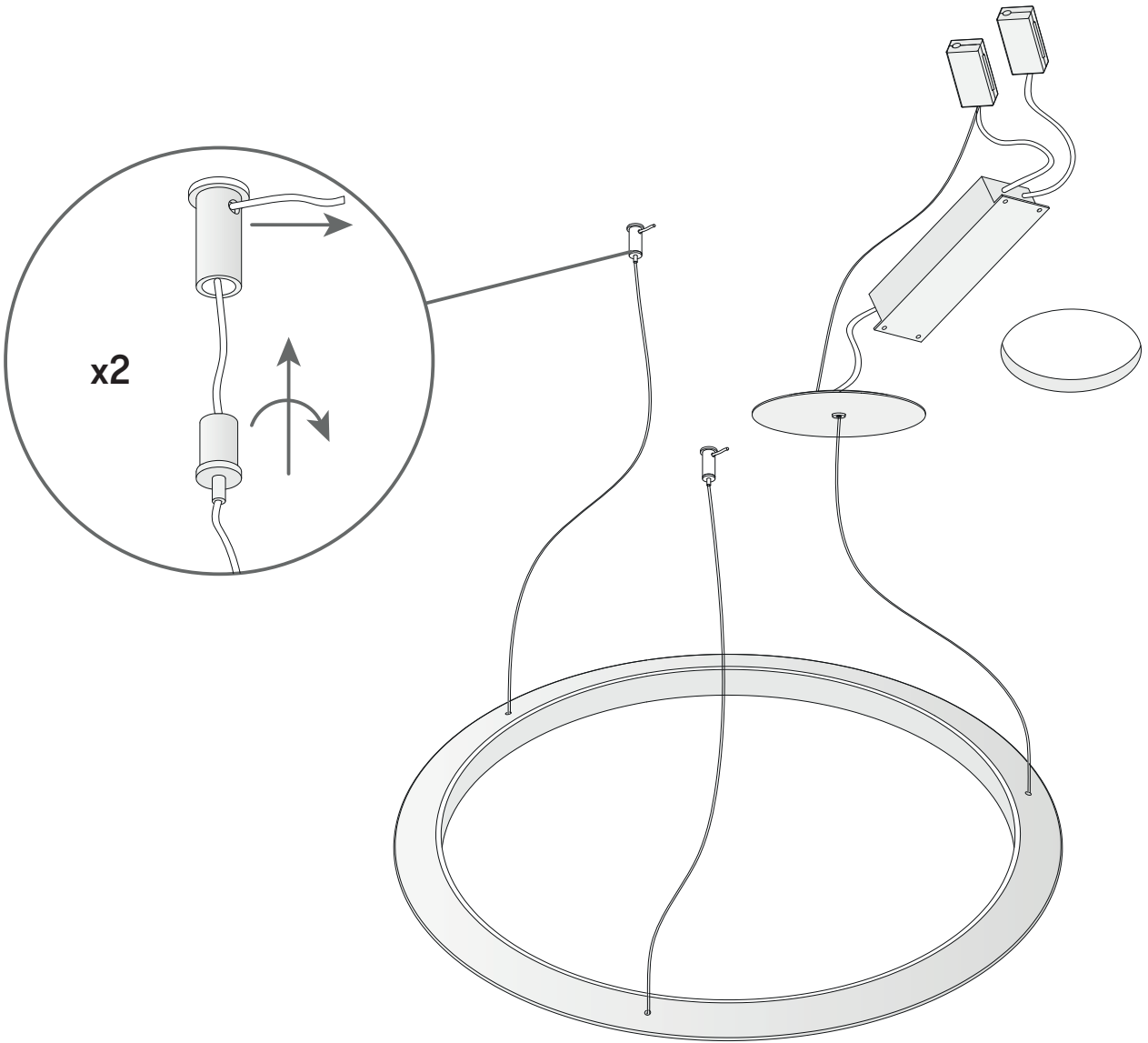


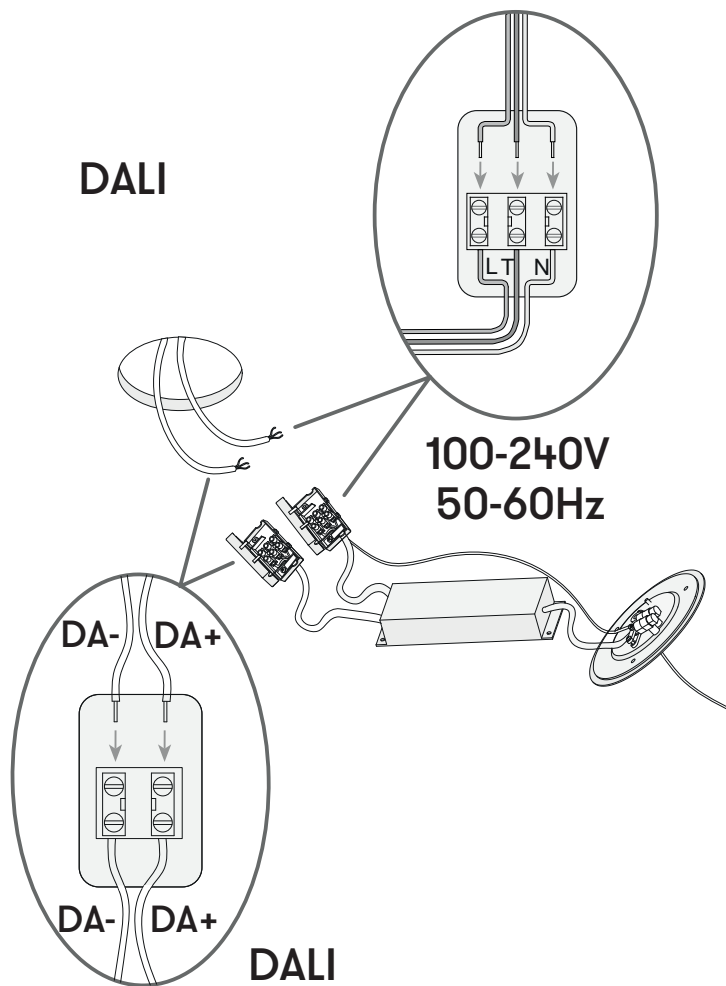
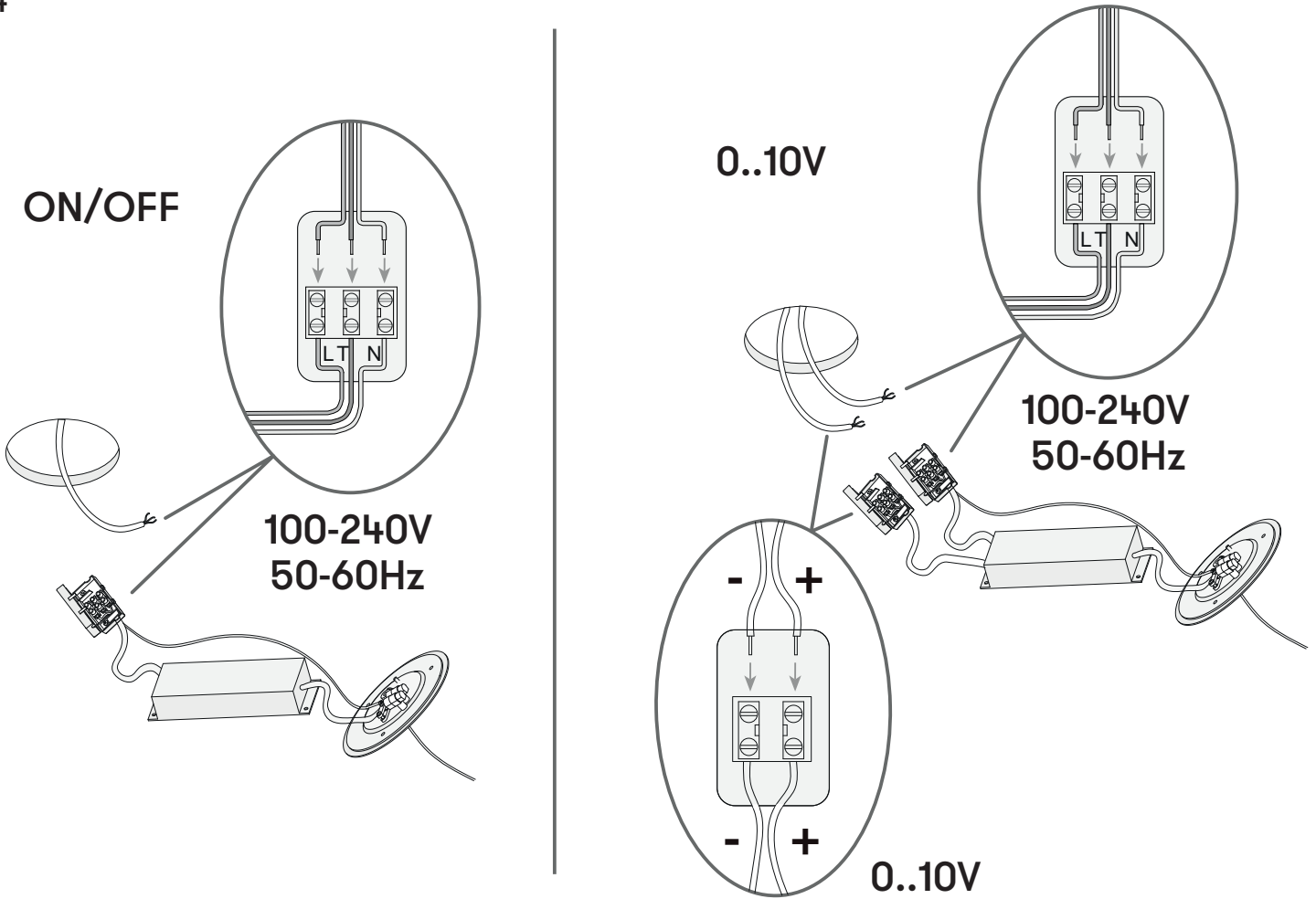
1

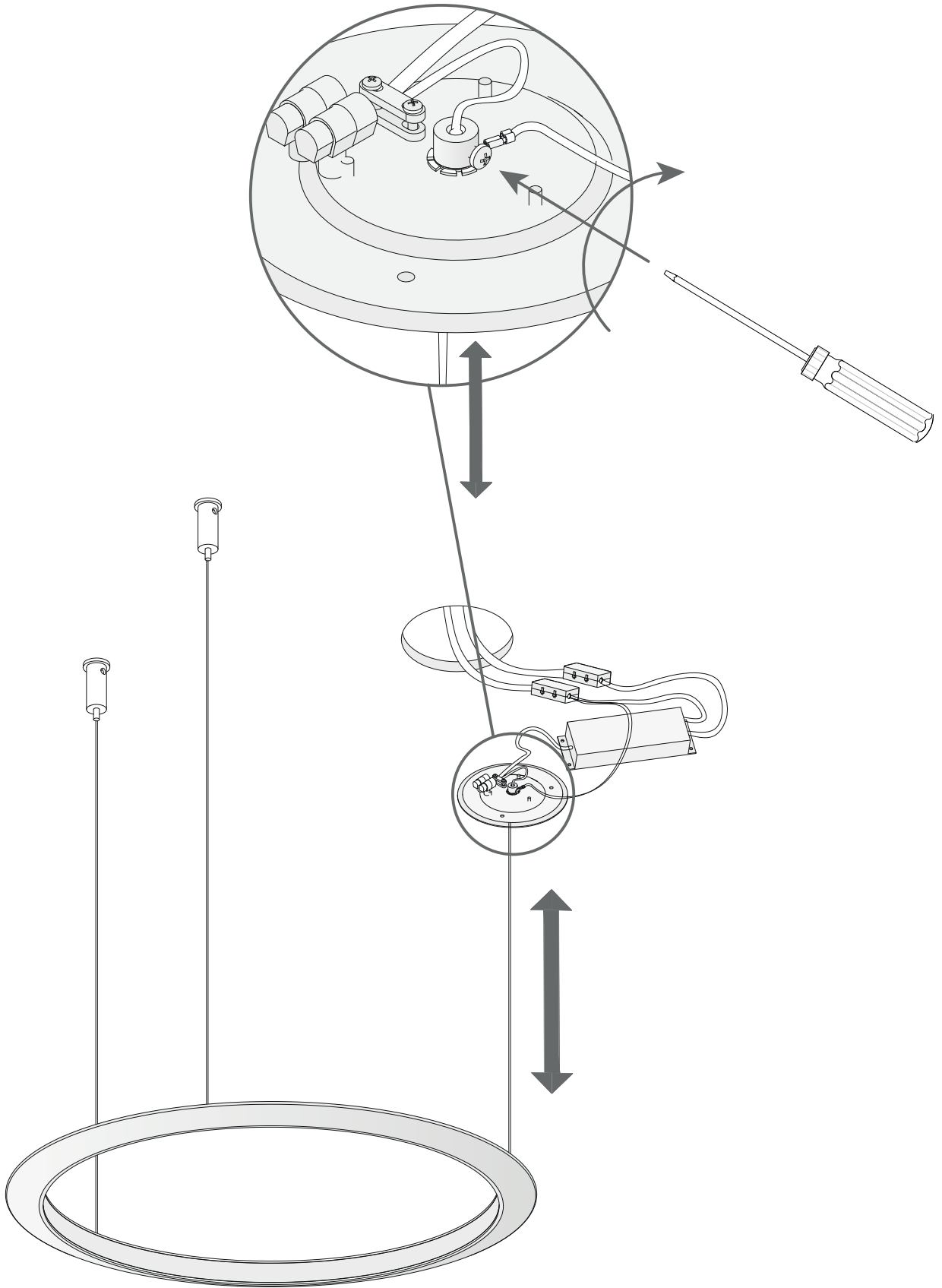


2

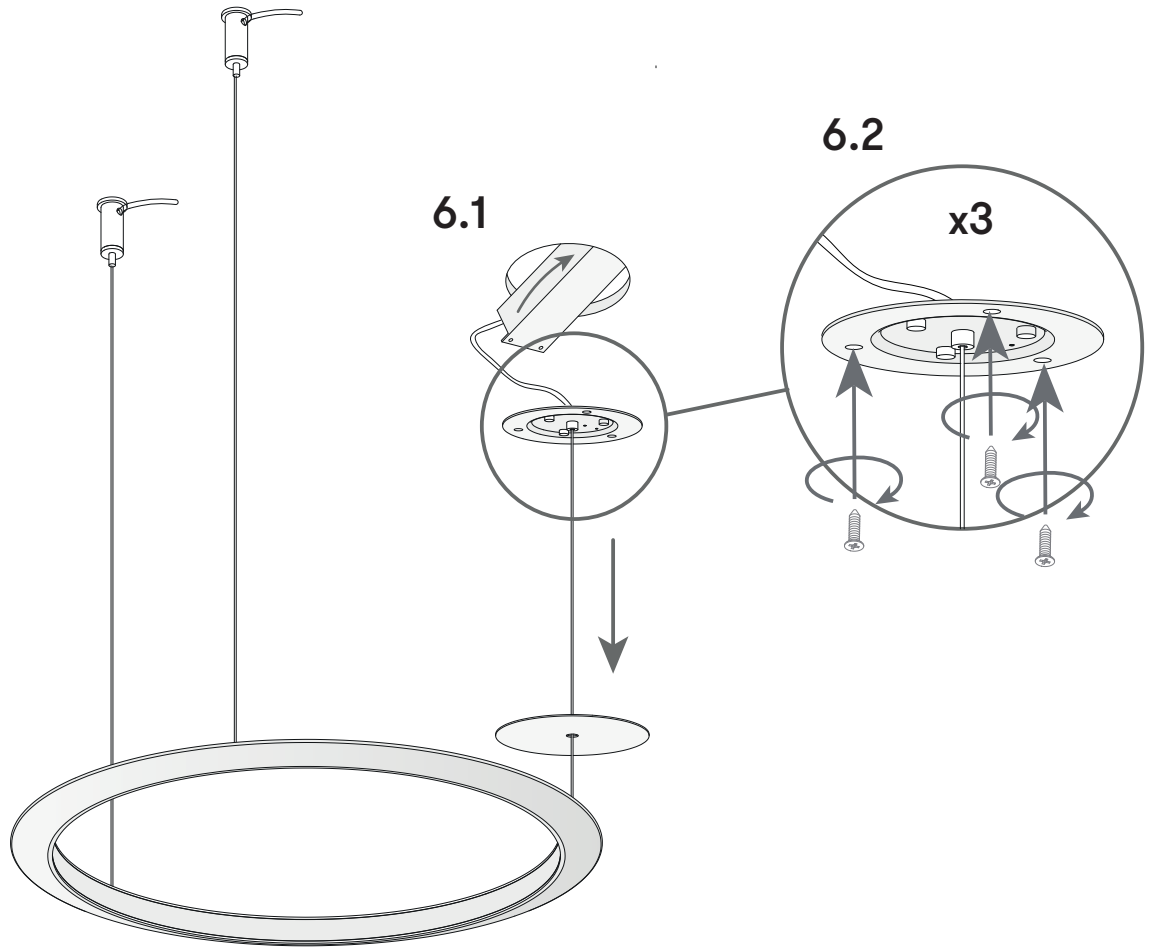




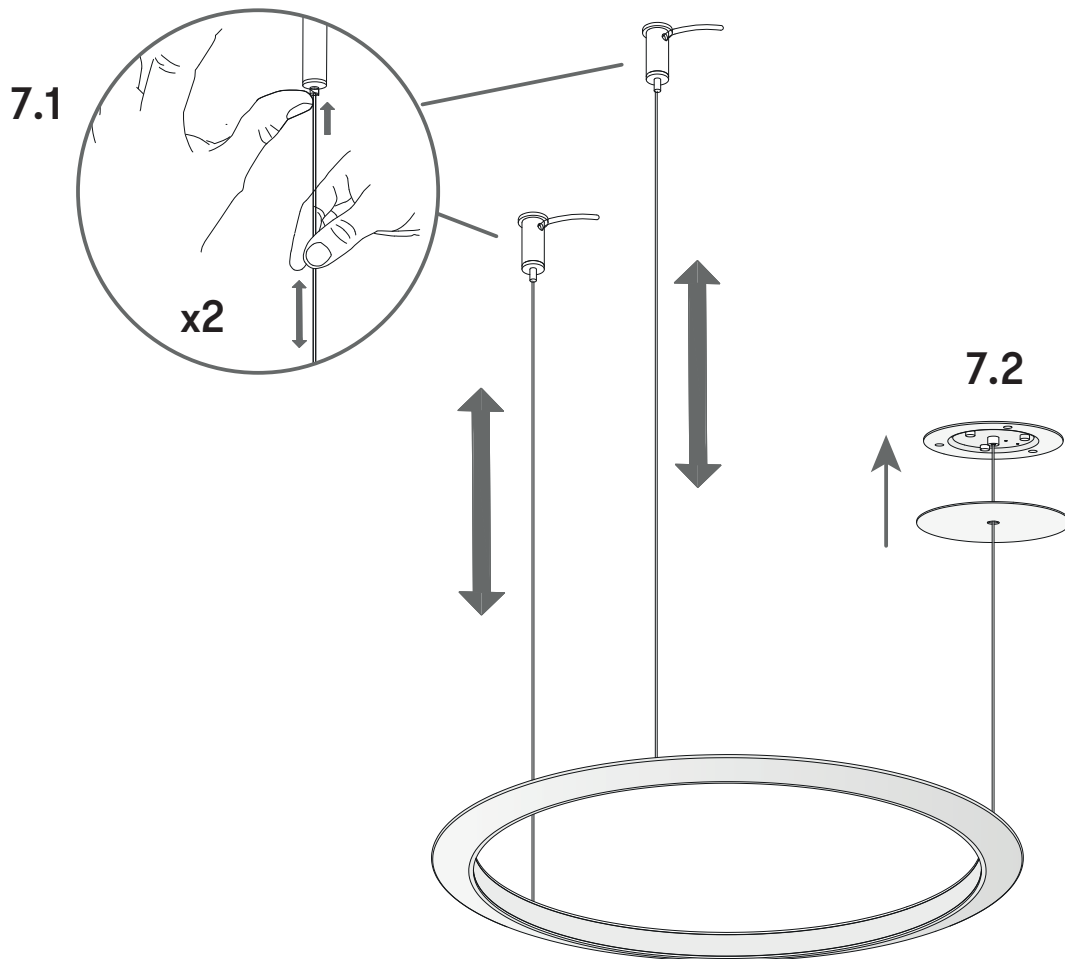




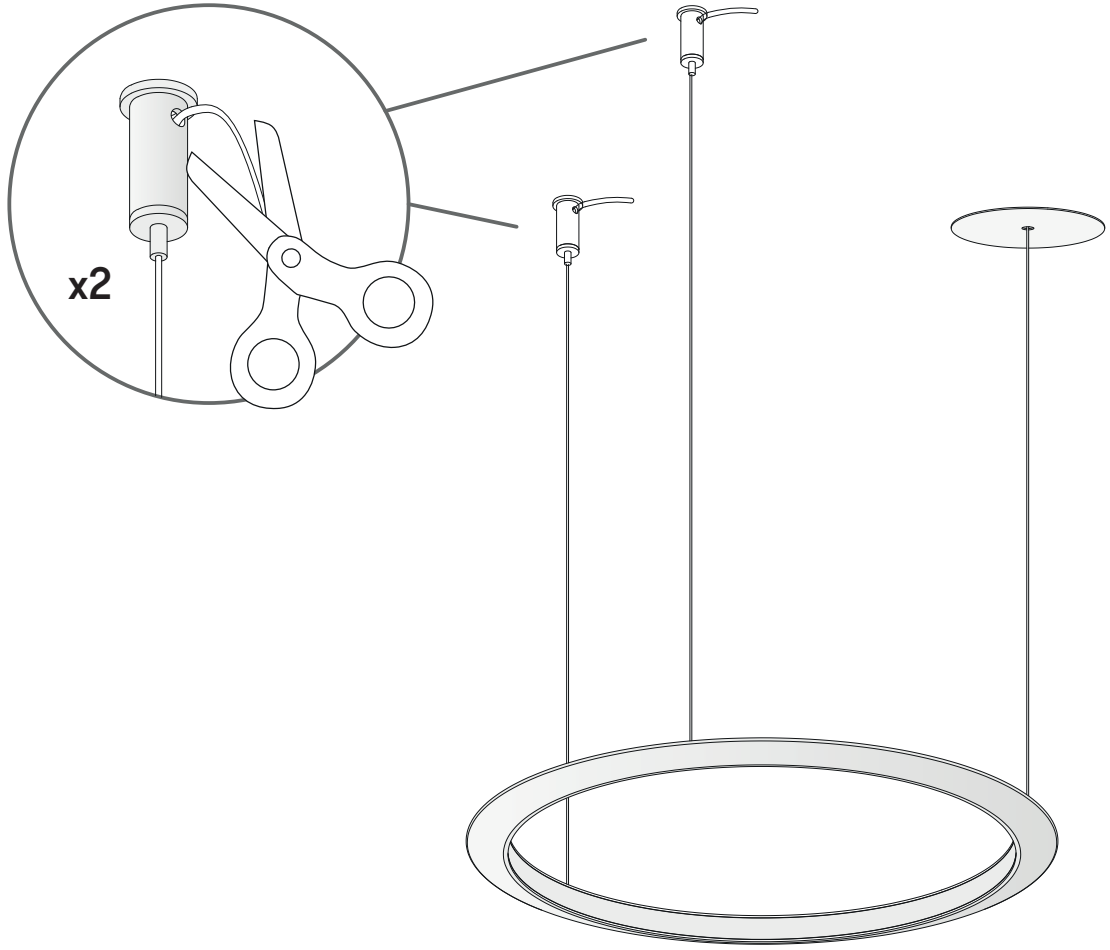
6



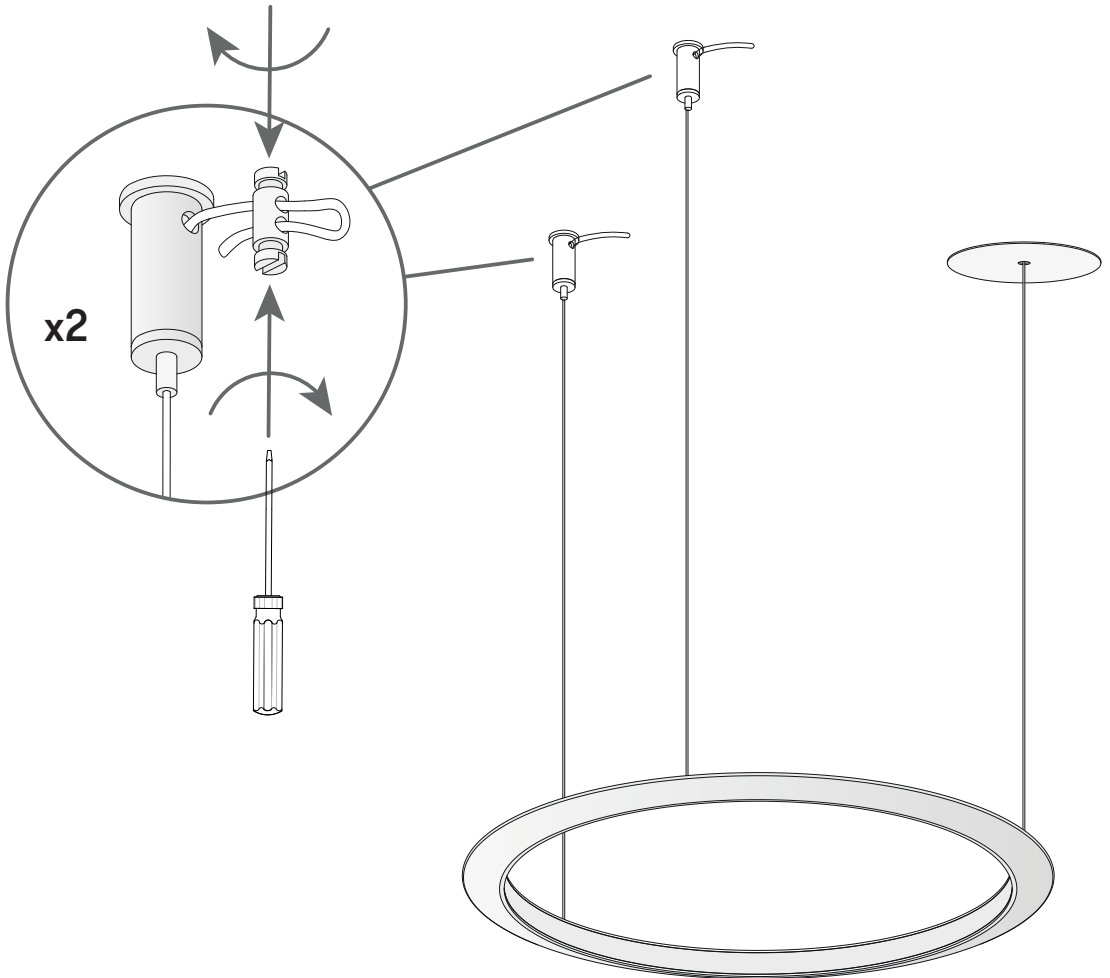
7

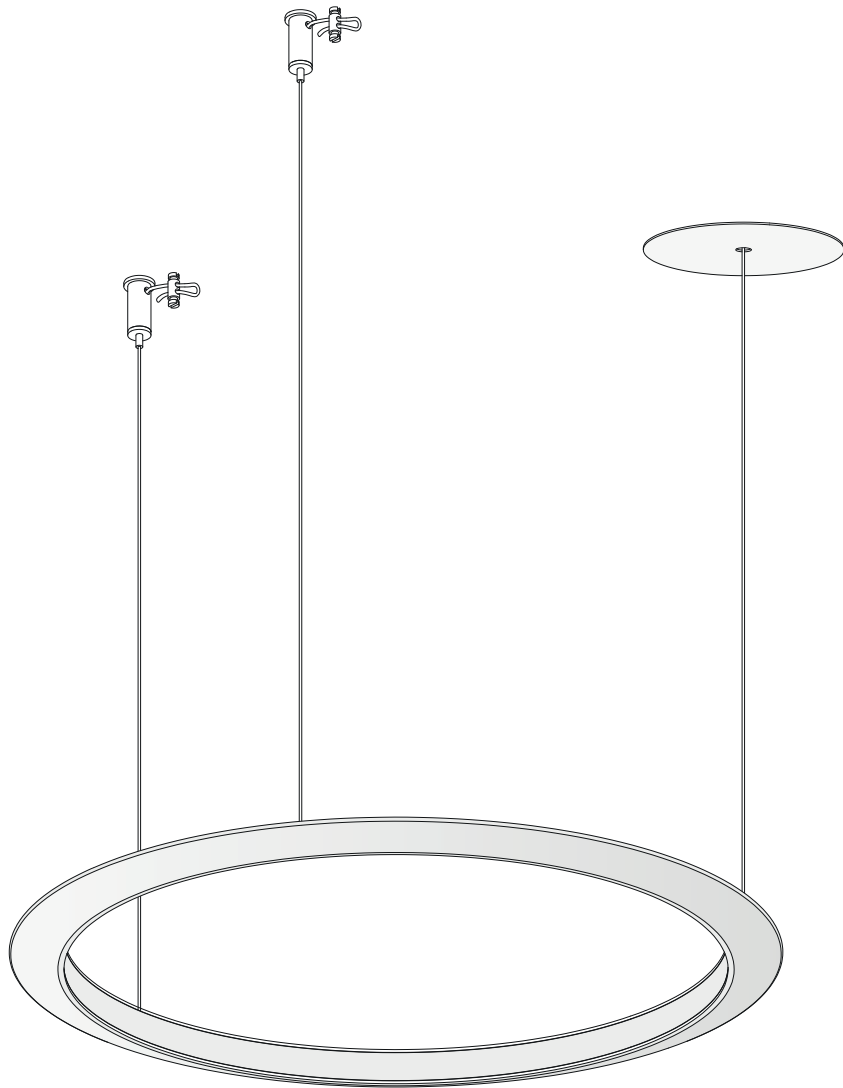
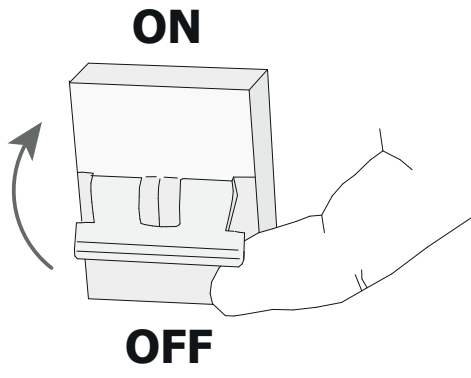


8



9









# (ES) Derechos de garantía

El fabricante **LEDS-C4, S.A.** garantiza al consumidor y usuario el correcto funcionamiento del producto y posibles reparaciones o suministro de recambios del modelo debidos a defectos de fabricación durante el periodo de **5 años\*** desde la fecha de entrega, pero no puede responsabilizarse de daños y/o perjuicios causados por un mal empleo del mismo. Para cualquier reclamación, se deberá adjuntar a esta garantía el ticket de compra. La empresa se compromete a la reparación total gratuita de los vicios o defectos detectados en el producto. Asimismo, si la reparación no es satisfactoria y el objeto no alcanza las condiciones óptimas para cumplir el uso al que está destinado, el titular de la garantía tendrá derecho a la sustitución del objeto adquirido por otro de idénticas características, a la rebaja del precio o la resolución del contrato. \***Consultar condiciones de garantía en [www.leds-c4.com](http://www.leds-c4.com).**

**Composición:** Acabados: baños y/o pinturas epoxi y compuestos de materiales nobles. Estructuras: latón, acero y materiales de fundición. Otros componentes: alabastro, cristal, pantallas de tela, madera y piel.

**MANTENIMIENTO:** Desconectar la tensión de la red de alimentación antes de llevar a cabo cualquier operación de mantenimiento. No utilizar bombillas de distinto tipo ni de potencia superior a la indicada en la etiqueta de la luminaria. Durante las operaciones de limpieza, y para asegurar una mejor conservación, utilizar un paño suave y seco. El uso de productos abrasivos o de disolventes puede deteriorar el acabado de la luminaria.

**IMPORTANTE:** 1- La conexión eléctrica debe realizarla un técnico electricista. La manipulación interna o externa de la luminaria puede comprometer su seguridad. LEDS-C4, S.A. no se hará responsable de ninguna manipulación hecha por el usuario. 2- Si el cable o cordón de esta luminaria está dañado, deberá sustituirse exclusivamente por el fabricante o su servicio técnico, o por una persona con calificación equivalente, con objeto de evitar cualquier posible riesgo. 3- No monte la luminaria sobre superficies húmedas, recién pintadas o que presenten conductividad eléctrica. 4- Todas las luminarias sin protección especial contra la penetración de polvo o de humedad (sin marca IP) son aptas para uso en interior, excepto en baños. 5- Utilice sistemas de sujeción acordes con el peso del aparato. 6- Aleje siempre las conexiones y los cables de los puntos de calor de la luminaria. 7- Asegúrese de que los conductores de la instalación no resulten deteriorados por los tornillos de sujeción. 8- Bajo ninguna circunstancia la luminaria debe ser cubierta. 9- Las lámparas se calientan mucho durante su funcionamiento. Tóquelas sólo cuando se hayan enfriado, pasados 15 minutos. 10- No colgar ni apoyar elementos sobre las luminarias.

## SÍMBOLOS:



Luminaria no adecuada para cubrirse con material aislante térmico.



Luminaria superficial no adecuada para montaje en superficies normalmente inflamables.



Luminaria empotrada no adecuada para montaje en normalmente superficies inflamables.



Todas las luminarias marcadas con este símbolo son de Clase I. El conductor de toma de tierra debe conectarse al borne marcado con el símbolo de toma de tierra.



Todas las luminarias marcadas con este símbolo son de Clase II. Ninguna parte metálica de las luminarias de Clase II se conectará al conductor de toma de tierra de la instalación de la vivienda.



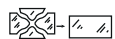
Todas las luminarias marcadas con este símbolo son de Clase III, lo cual significa que funcionan a muy baja tensión. Ninguna parte metálica de las luminarias de Clase III se conectará al conductor de toma de tierra de la instalación de la vivienda.



Este símbolo indica la distancia mínima entre el foco de la luminaria y el objeto iluminado.



Todas las luminarias marcadas con este símbolo están diseñadas para usar únicamente lámparas halógenas de wolframio o lámparas de halógenos metálicos con pantalla de protección propia.



Todas las luminarias marcadas con este símbolo deben equiparse con la pantalla de protección suministrada con la luminaria. Sustituir cualquier protector roto o defectuoso.



Precaución, riesgo de choque eléctrico.



No mirar fijamente a la fuente de luz en funcionamiento.



El símbolo de la papelera tachada en el aparato o en el embalaje, indica que el producto al final de su vida deberá eliminarse por separado de los demás desechos.

# (EN) Warranty rights

**LEDS-C4, S.A.** guarantees to the consumer and the user of this product its correct operation and covers any possible repairs or the supply of parts for this product due to manufacturing defects for **5 years\*** from the date of delivery. LEDS-C4, S.A. does not accept liability for any damages arising from incorrect use of this product. Please note that, in order to make a claim, you will be required to present this guarantee certificate together with proof of purchase. LEDS-C4, S.A. will completely repair the defects in the product free of charge. Also, if the product was not repaired to a satisfactory standard or if it was not fit for purpose, the holder of the guarantee will be entitled to the replacement of the purchased product for another one of the same features, to a price reduction or to the termination of the contract. **\*Check warranty conditions at [www.leds-c4.com](http://www.leds-c4.com).**

**Composition:** Finishes: plating and/or Epoxy paints and compounds of noble materials. Structure: brass, steel and cast iron. Other components: alabaster, crystal, fabric shades, wood and leather.

**MAINTENANCE:** Disconnect the mains voltage before starting any maintenance work. Do not use bulbs with a higher wattage than stated on the label of the luminaire. When cleaning, use a dry soft cloth to avoid damage. The use of abrasive products or solvents may harm the finish of the luminaire.

**IMPORTANT:** 1- The electrical connection of the luminaire should be performed by a qualified electrician. The internal or external manipulation of the luminaire may reduce its safety. LEDS-C4, S.A. cannot be held liable for any manipulation carried out by the user. 2- Should the luminaire cable or lead be damaged, it should be replaced only by the manufacturer or their technical service department, or someone equally qualified, in order to avoid any risk. 3- Do not install the luminaire on surfaces that are moist, freshly painted or electrically conductive. 4- All luminaires without special protection against dust or moisture (no IP rating) may be used indoors, except in bathrooms. 5- Use fastening systems appropriate to the weight of the appliance. 6- Make sure the connections and cables do not come into contact with the hot parts of the luminaire. 7- Make sure the installation conductors are not damaged by the fastening screws. 8- Under no circumstances should the luminaire be covered. 9- The lamps become very hot during operation. Let them cool down for 15 minutes after switch-off before handling them. 10- Do not lean or hang any objects from the luminaire.

## SYMBOLS:



Luminaires not suitable for covering with thermally insulating material.



Surface luminaire not suitable for direct mounting on normally flammable surfaces.



Recessed luminaire not suitable for direct mounting on normally flammable surfaces.



All the luminaires bearing this symbol belong to Class I. The earth wire must be connected to the terminal marked with the Earth symbol.



All luminaires bearing this symbol are Class II. No metal part of Class II luminaires shall be connected to the earth connection of the home installation.



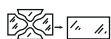
All luminaires bearing this symbol are Class III, which means that they operate at very low voltage. No metal part of Class III luminaires shall be connected to the earth connection of the home installation.



This symbol indicates the minimum distance to be left between the lamp of the luminaire and the object illuminated.



All luminaires bearing this symbol should be installed only with halogen wolfram lamps or metal halide lamps with their own enclosure.



All luminaires bearing this symbol should be installed with their protective enclosure. Replace any enclosure that is broken or faulty.



Caution, risk of electric shock.



Do not stare at the light source when in operation.



The crossed bin symbol on the device or on the packaging means that, at the end of its life, the product will need to be disposed of separately from the rest of residues.

# (FR) Drots de garantie

Le fabricant **LEDS-C4, S.A.** garantit au consommateur et à l'utilisateur le fonctionnement correct du produit, ainsi que d'éventuelles réparations ou livraisons de pièces de rechange du modèle en cas de défauts de fabrication, pendant la période de **5 ans\*** à compter de la date de livraison. Il ne peut toutefois être tenu responsable des dommages et/ou préjudices occasionnés par une mauvaise utilisation du produit. Pour toute réclamation, il convient de joindre le ticket d'achat à la présente garantie. L'entreprise s'engage à réparer totalement et gratuitement les vices ou défauts détectés sur le produit. De même, si la réparation ne s'avère pas satisfaisante ou que l'objet ne remplit pas les conditions optimales nécessaires pour assurer l'utilisation à laquelle il est destiné, le titulaire de la garantie a droit au remplacement de l'objet acquis par un autre aux caractéristiques identiques, à une réduction de prix ou à la résolution du contrat. **\*Consultez les conditions la garantie sur [www.leds-c4.com](http://www.leds-c4.com).**

**Composition:** Finitions: par trempage et/ou peintures époxy et matériaux nobles. Structures : laiton, acier et matériaux de fonte. Autres composants : albâtre, verre, abat-jour en tissu, bois et cuir.

**ENTRETIEN:** Déconnecter le luminaire du réseau d'alimentation avant de réaliser toute opération d'entretien. Ne pas utiliser d'ampoules d'un autre type ou d'une puissance supérieure à celle indiquée sur l'étiquette du luminaire. Au cours des opérations de nettoyage, pour garantir une meilleure conservation, utiliser un chiffon doux et sec. L'utilisation de produits abrasifs ou de solvants peut détériorer la finition du luminaire.

**IMPORTANT:** 1- Le raccordement électrique sera effectué par un technicien électricien. La manipulation interne ou externe du luminaire peut compromettre votre sécurité. LEDS-C4, S.A. n'est pas responsable des manipulations réalisées par l'utilisateur. 2- Si le câble ou le cordon du luminaire est endommagé, il devra être remplacé uniquement par le fabricant, le service technique ou quelqu'un de qualifié afin d'éviter tout risque éventuel. 3- Ne pas monter le luminaire sur une surface humide, récemment peinte ou présentant une forte conductivité électrique. 4- Tous les luminaires sans protection particulière contre la poussière ou l'humidité (sans marque IP) sont aptes à une utilisation en intérieur, à l'exception des salles de bains. 5- Utiliser des systèmes de fixation adaptés au poids de l'appareil. 6- Éloigner systématiquement les connexions et les câbles des points de chaleur du luminaire. 7- S'assurer que les conducteurs de l'installation ne sont pas endommagés par les vis de fixation. 8- Le luminaire ne doit en aucun cas être couvert. 9- Les lampes chauffent beaucoup en cours de fonctionnement. Ne les touchez qu'une fois refroidies, au bout de 15 minutes. 10- Ne pas accrocher ou appuyer d'éléments sur les luminaires.

## SYMBOLES:



Ne pas recouvrir le luminaire avec du matériau isolant.



Luminaire superficiel non appropriée pour montage sur des surfaces normalement Inflammables.



Luminaire construite non appropriée pour montage sur des surfaces normalement Inflammables.



Tous les luminaires marqués de ce symbole sont de Classe I. Le conducteur de prise de terre est à relier à la borne marquée du symbole correspondant.



Tous les luminaires marqués de ce symbole appartiennent à la catégorie II. Aucune partie métallique d'un luminaire de catégorie II ne doit être raccordée à la terre de l'installation.



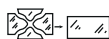
Tous les luminaires marqués de ce symbole appartiennent à la catégorie III, ce qui signifie qu'ils fonctionnent à très basse tension. Aucune partie métallique d'un luminaire de catégorie III ne doit être raccordée à la terre de l'installation.



Ce symbole désigne la distance minimale entre l'ampoule d'un luminaire et l'objet à éclairer.



Tous les luminaires marqués de ce symbole, sont uniquement prévus pour utiliser des lampes halogènes en wolfram ou lampes en halogénures métalliques avec écran de protection propre.



Tous les luminaires marqués de ce symbole doivent être équipés de l'écran de protection fourni avec l'appareil. Remplacer tout écran brisé ou défectueux.



Attention, risque de choc électrique.



Ne pas regarder directement la source de lumière en fonctionnement.



La présence, sur l'appareil ou l'emballage, du symbole de la corbeille à papier barrée d'un trait indique qu'en fin de vie le produit est à éliminer séparément des autres déchets.

# (DEU) Garantieansprüche

Der Hersteller **LEDS-C4, S.A.** gewährleistet dem Endkunden (Verbraucher) für eine Garantielaufzeit von **5 Jahren\*** ab Kaufdatum den einwandfreien Betrieb des Geräts sowie eventuell notwendige Reparaturen oder Ersatzteillieferungen für das Modell als Folge von Mängeln, die aus Herstellungsfehlern resultieren. Der Hersteller übernimmt jedoch keine Verantwortung für Schäden, die auf unsachgemäße Handhabung des Gerätes zurückzuführen sind. Bei einer Reklamation müssen die Garantiekarte und der Kaufbeleg mit eingeschickt werden. Unsere Firma verpflichtet sich zur vollständigen und kostenlosen Reparatur der am Produkt festgestellten Mängeln oder Störungen. Sollte die Reparatur nicht zufriedenstellend ausfallen und das instandgesetzte Modell nicht voll funktionstüchtig sein, hat der Garantieinhaber Anspruch auf Lieferung eines gleichwertigen Ersatzartikels, einen Preisnachlass oder die Vertragsauflösung mit Erstattung des Kaufpreises. \***Konsultieren Sie die Bedingungen der Garantie** auf [www.leds-c4.com](http://www.leds-c4.com).

**Bestandteile:** Oberflächen: Epoxi Galvanisierung und/oder Farben und Edelmetalle. Lampenkörper: Messing, Stahl und Gussmetalle. Andere Bestandteile: Alabaster, Glas, Lampenschirme aus Stoff, Holz und Leder.

**WARTUNG:** Nehmen Sie vor allen Wartungsarbeiten die Netzsicherung heraus. Verwenden Sie nur Glühbirnen gleichen Typs und beachten Sie die auf dem Typenschild angegebene maximale Lampenleistung. Verwenden Sie bei Reinigungsarbeiten zur größtmöglichen Schonung der Lampe ein weiches, trockenes Tuch. Scheuer- und Lösungsmittel können die Oberfläche der Lampe angreifen.

**WICHTIGE HINWEISE:** 1- Der elektrische Anschluss sollte von einem Fachmann vorgenommen werden. Eigenmächtige Arbeiten im oder am Lampengehäuse können ein Sicherheitsrisiko darstellen. LEDS-C4, S.A. übernimmt keinerlei Haftung bei unsachgemäßen Eingriffen durch den Benutzer. 2- Falls das Stromzufuhrkabel oder die Stromzufuhrschnur dieser Leuchte beschädigt ist, darf diese aus Sicherheitsgründen nur durch den Hersteller selbst, seinen technischen Reparaturdienst oder einen entsprechend qualifizierten Fachmann ersetzt werden. 3- Die Leuchte darf nicht auf feuchten, kurz zuvor angestrichenen oder elektrisch leitenden Flächen installiert werden. 4- Die Leuchten ohne besonderen Schutz gegen das Eindringen von Staub und Feuchtigkeit (ohne IP Markierung) sind geeignet für den Gebrauch in Innenräumen, ausgenommen dem Badezimmer. 5- Benutzen Sie Befestigungsvorrichtungen, die dem Gewicht des Gerätes entsprechen. 6- Achten Sie darauf, dass die Stromanschlüsse und Leitungen möglichst weit von den Wärme abstrahlenden Stellen der Leuchte entfernt sind. 7- Versichern Sie sich, dass die Stromzufuhrkabel der Anlage nicht von den Befestigungsschrauben beschädigt werden. 8- Die Leuchte darf unter keinen Umständen abgedeckt werden. 9- Die Lampen werden während des Betriebs sehr heiß. Vor dem Anfassen mindestens 15 Minuten warten, bis sie etwas abgekühlt sind. 10- Keine Gegenstände an die Leuchten hängen oder an ihnen abstützen.

## SYMBOLER:



Leuchten nicht mit Dämm-Material abdecken.



Oberflächliche Leuchten dürfen nicht auf unter normalen Bedingungen leicht entzündbaren Oberflächen angebracht werden.



Einbauleuchten dürfen nicht auf unter normalen Bedingungen leicht entzündbaren Oberflächen angebracht werden.



Alle mit diesem Symbol gekennzeichneten Leuchten sind der Klasse I. Der Erdungsanschluss muss an die mit dem Erdungssymbol gekennzeichneten Klemme angeschlossen werden.



Alle mit diesem Symbol gekennzeichneten Leuchten gehören der Klasse II an. Metallteile von Leuchten der Klasse II dürfen nicht mit der Erdung der elektrischen Installation in der Wohnung in Berührung kommen.



Alle mit diesem Symbol gekennzeichneten Leuchten sind Niederspannungsleuchten der Klasse III. Metallteile von Leuchten der Klasse III dürfen nicht mit der Erdung der elektrischen Installation in der Wohnung in Berührung kommen.



Dieses Symbol gibt den Mindestabstand zwischen der Lichtquelle und dem zu beleuchtenden Objekt an.



Sämtliche mit diesen Zeichen ausgestatteten Leuchten sind dazu entworfen worden, ausschließlich mit Wolfram-Halogenleuchten oder mit Metaldampf Leuchten mit eigenem Schutzschild bestückt zu werden.



Alle mit diesem Symbol gekennzeichneten Leuchten müssen mit dem beiliegenden Schutzschirm versehen werden. Tauschen Sie in jedem Fall den zerbrochenen oder fehlerhaften Schutz aus.



Vorsicht, Stromschlaggefahr.



Nicht direkt in die Lichtquelle blicken.



Das Symbol des durchgestrichenen Papierkorbs auf dem Gerät oder der Verpackung bedeutet, dass das Produkt am Ende seiner Nutzungsdauer als Sondermüll entsorgt werden muss.



LEDS-C4, S.A.  
Spain  
[groklighting.com](http://groklighting.com)