



CIRCULAR Pendant

Designer: Benedito Design

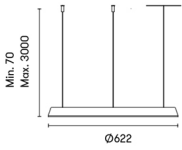
CS5A-00X9AZDU05 V0

Finish

Matt black
Matt opal
NA

Material

Aluminium
Polycarbonate



TECHNICAL CHARACTERISTICS

Light source

Light source: LED HONGLITRONIC
Output (W): 31.7W
Total power consumption (W): 39.7 W
Color temperature: LED neutral-white
4000K
CRI: 90
Photobiological risk: RG0
Real Lumen: 1615
Qty Leds: 432
Lm/Real W: 41
Life Time: 50.000h L80B20
Bin / Grup: NS12
MacAdam steps: 5
UGR: 14.9

GEAR

Brand: MEAN WELL
Power Factor: 0.94
Dimming protocol: Dali
Flickering: 0.3%

Luminaire

Cable meters included: -
Warranty: 5 Years

Logistics

Energy Efficiency: LED A++
EAN Code: 8435575307506
Net Weight (Kg): 0.000
Packing: 700 x 700 x 100

The photograph may not match the reference exactly. Please read the product description to identify the finish.

LEDS C4[®]

Luminaria

Código CS5A-00X9AZDU05
Nombre CIRCULAR

Ensayo

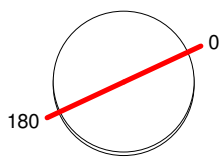
Código CS5A-00X9AZDU05
Nombre CIRCULAR

Flujo Luminaria	1615.07 lm	Potencia luminaria	39.70 W	Eficacia	40.68 lm/W	Eficiencia	100.00%
Flujo de Lámpara	1615.07 lm	Valor Máximo	306.99 cd/klm	Posición	C=0.00 G=15.00	CG	Rotosimétrico
Luminaria Redonda		Diam.	640 mm	Altura	30 mm		
Área Luminosa Redonda		Diam.	545 mm	Altura	28 mm		
Área Luminosa Horizontal		0.233283 m2		Área Emisión sobre Pl. 180°		0.015260 m2	
Área Emisión sobre Pl. 0°		0.015260 m2		Área Emisión sobre Pl. 270°		0.015260 m2	
Área Emisión sobre Pl. 90°		0.015260 m2		Área de deslumbramiento a 76°		0.071243 m2	
Sist. de Coorden.		CG		Tipo de Simetría		Rotosimétrico	
Fecha		12-07-2018		Máximo Ángulo Gamma		90	
Distancia de Ensayo		0.00		Flujo de Ensayo		1209.46 lm	
Operador		qualitat		Tensión de alimentación [V]			
Temperatura		25.00 °C		Corriente de alimentación [A]			
Humedad		60.00 %		Fotocélula			
Notas							

Lámparas de la Luminaria

Familia	Código	Nombre	Flujo [lm]	Pot. [W]	Cant.
	CS4A-00V9AZOU14	CS4A-00V9AZOU14	1615.07	39.70	1
C.I.E.	45 77 94 100 100		D DIN 5040	A30	
F UTE	1.00 E		B NBN	BZ 5	

Diam=640mm



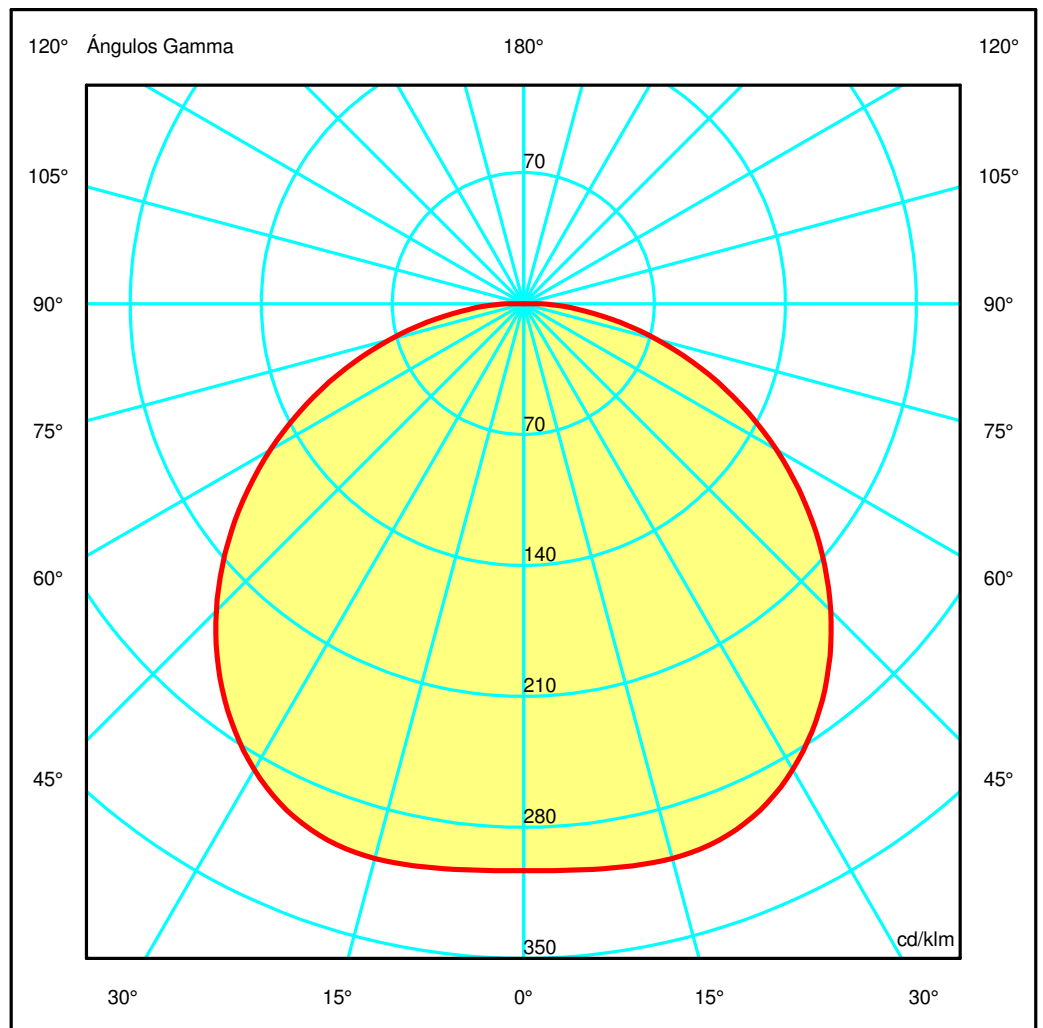
Semiplanos C

180.0 — 0.0

ULOR 0.00 %

DLOR 100.00 %

RN 0.00 %



Luminaria

Código CS5A-00X9AZDU05

Nombre CIRCULAR

Ensayo

Código CS5A-00X9AZDU05

Nombre CIRCULAR

Flujo Luminaria	1615.07 lm	Potencia luminaria	39.70 W	Eficacia	40.68 lm/W	Eficiencia	100.00%
Flujo de Lámpara	1615.07 lm	Valor Máximo	306.99 cd/klm	Posición	C=0.00 G=15.00	CG	Rotosimétrico

Tabla de Intensidad Luminosa cd/klm Tabla 1/1

	C 0.00	C 0.00
G 0.0	303.16	G 46.0 227.44
G 1.0	303.19	G 47.0 222.75
G 2.0	303.26	G 48.0 218.00
G 3.0	303.45	G 49.0 213.11
G 4.0	303.68	G 50.0 208.25
G 5.0	303.94	G 51.0 203.22
G 6.0	304.28	G 52.0 198.24
G 7.0	304.62	G 53.0 193.08
G 8.0	304.98	G 54.0 187.98
G 9.0	305.36	G 55.0 182.73
G 10.0	305.75	G 56.0 177.47
G 11.0	306.11	G 57.0 172.16
G 12.0	306.44	G 58.0 166.78
G 13.0	306.71	G 59.0 161.44
G 14.0	306.91	G 60.0 155.96
G 15.0	306.99	G 61.0 150.56
G 16.0	306.98	G 62.0 145.05
G 17.0	306.80	G 63.0 139.56
G 18.0	306.47	G 64.0 134.01
G 19.0	305.97	G 65.0 128.49
G 20.0	305.28	G 66.0 122.96
G 21.0	304.40	G 67.0 117.39
G 22.0	303.29	G 68.0 111.89
G 23.0	302.03	G 69.0 106.31
G 24.0	300.54	G 70.0 100.81
G 25.0	298.87	G 71.0 95.25
G 26.0	296.98	G 72.0 89.83
G 27.0	294.92	G 73.0 84.35
G 28.0	292.63	G 74.0 78.96
G 29.0	290.18	G 75.0 73.61
G 30.0	287.59	G 76.0 68.27
G 31.0	284.81	G 77.0 63.02
G 32.0	281.94	G 78.0 57.78
G 33.0	278.86	G 79.0 52.73
G 34.0	275.70	G 80.0 47.70
G 35.0	272.32	G 81.0 42.93
G 36.0	268.87	G 82.0 38.26
G 37.0	265.26	G 83.0 33.84
G 38.0	261.50	G 84.0 29.60
G 39.0	257.66	G 85.0 25.47
G 40.0	253.62	G 86.0 21.65
G 41.0	249.56	G 87.0 18.08
G 42.0	245.27	G 88.0 14.87
G 43.0	241.00	G 89.0 12.02
G 44.0	236.54	G 90.0 9.46
G 45.0	232.06	

LEDS C4[®]

Luminaria

Código CS5A-00X9AZDU05

Nombre CIRCULAR

Ensayo

Código CS5A-00X9AZDU05

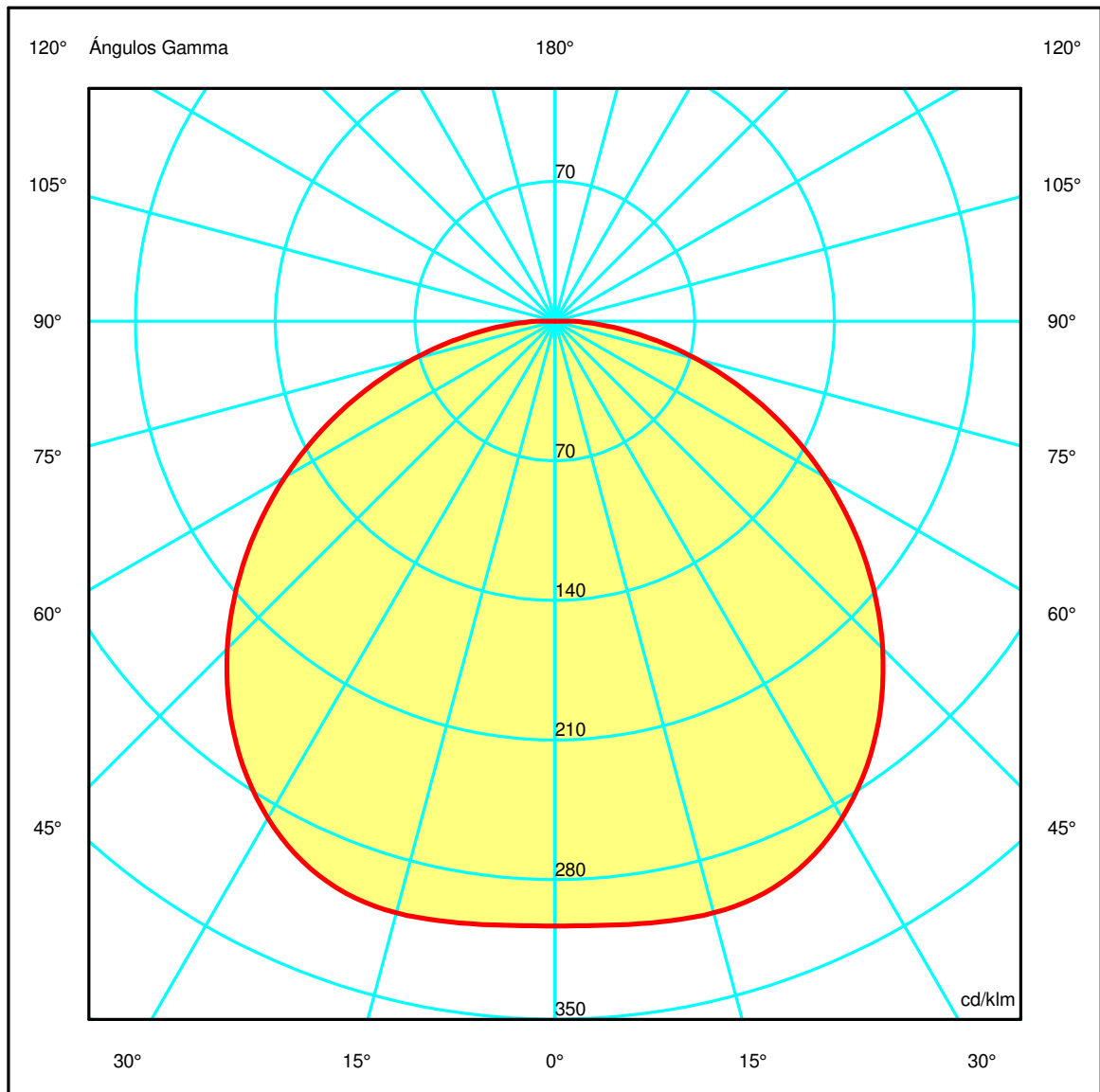
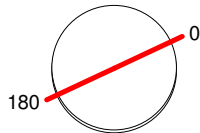
Nombre CIRCULAR

Flujo Luminaria	1615.07 lm	Potencia luminaria	39.70 W	Eficacia	40.68 lm/W	Eficiencia	100.00%
Flujo de Lámpara	1615.07 lm	Valor Máximo	306.99 cd/klm	Posición	C=0.00 G=15.00	CG	Rotosimétrico

Diam=640mm

Semiplanos C

180.0  0.0



LEDS C4[®]

Luminaria

Código CS5A-00X9AZDU05

Nombre CIRCULAR

Ensayo

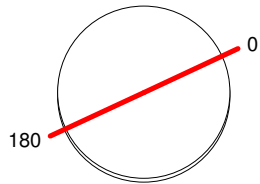
Código CS5A-00X9AZDU05

Nombre CIRCULAR

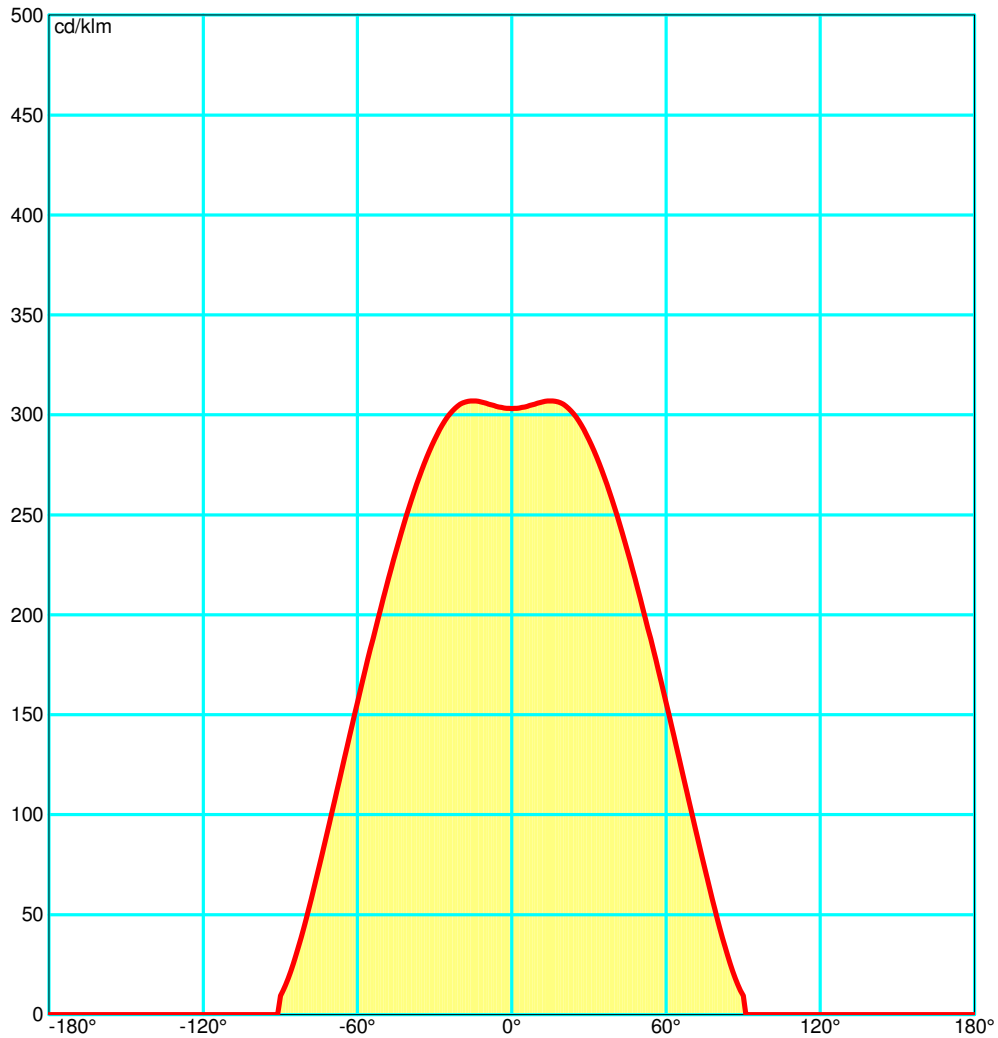
Flujo Luminaria	1615.07 lm	Potencia luminaria	39.70 W	Eficacia	40.68 lm/W	Eficiencia	100.00%
Flujo de Lámpara	1615.07 lm	Valor Máximo	306.99 cd/klm	Posición	C=0.00 G=15.00	CG	Rotosimétrico

Diam=640mm

Semiplanos C



180.0 ————— 0.0



Luminaria

Código CS5A-00X9AZDU05

Nombre CIRCULAR

Ensayo

Código CS5A-00X9AZDU05

Nombre CIRCULAR

Flujo Luminaria	1615.07 lm	Potencia luminaria	39.70 W	Eficacia	40.68 lm/W	Eficiencia	100.00%
Flujo de Lámpara	1615.07 lm	Valor Máximo	306.99 cd/klm	Posición	C=0.00 G=15.00	CG	Rotosimétrico

UGR
S = 0.250

Reflectancias										
Ceiling/Cavity	0.7	0.7	0.5	0.5	0.3	0.7	0.7	0.5	0.5	0.3
Walls	0.5	0.3	0.5	0.3	0.3	0.5	0.3	0.5	0.3	0.3
WorkingPlane	0.2	0.2	0.2	0.2	0.2	0.2	0.2	0.2	0.2	0.2
RoomDimensions	Viewed Crosswise					Viewed Endwise				
x=2H y=2H	14.9	16.3	15.2	16.5	16.8	14.9	16.3	15.2	16.5	16.8
x=2H y=3H	16.6	17.8	16.9	18.1	18.3	16.6	17.8	16.9	18.1	18.3
x=2H y=4H	17.3	18.4	17.6	18.7	19.0	17.3	18.4	17.6	18.7	19.0
x=2H y=6H	17.8	18.9	18.1	19.2	19.5	17.8	18.9	18.1	19.2	19.5
x=2H y=8H	18.0	19.0	18.3	19.3	19.6	18.0	19.0	18.3	19.3	19.6
x=2H y=12H	18.1	19.1	18.5	19.4	19.7	18.1	19.1	18.5	19.4	19.7
x=4H y=2H	15.7	16.9	16.0	17.1	17.4	15.7	16.9	16.0	17.1	17.4
x=4H y=3H	17.5	18.5	17.9	18.9	19.2	17.5	18.5	17.9	18.9	19.2
x=4H y=4H	18.3	19.2	18.7	19.6	19.9	18.3	19.2	18.7	19.6	19.9
x=4H y=6H	19.0	19.8	19.4	20.1	20.5	19.0	19.8	19.4	20.1	20.5
x=4H y=8H	19.2	19.9	19.7	20.3	20.8	19.2	19.9	19.7	20.3	20.8
x=4H y=12H	19.4	20.0	19.9	20.5	20.9	19.4	20.0	19.9	20.5	20.9
x=8H y=4H	18.7	19.4	19.1	19.8	20.2	18.7	19.4	19.1	19.8	20.2
x=8H y=6H	19.5	20.1	19.9	20.5	21.0	19.5	20.1	19.9	20.5	21.0
x=8H y=8H	19.8	20.3	20.3	20.8	21.3	19.8	20.3	20.3	20.8	21.3
x=8H y=12H	20.1	20.5	20.6	21.0	21.5	20.1	20.5	20.6	21.0	21.5
x=12H y=4H	18.7	19.4	19.2	19.8	20.2	18.7	19.4	19.2	19.8	20.2
x=12H y=6H	19.6	20.1	20.1	20.5	21.0	19.6	20.1	20.1	20.5	21.0
x=12H y=8H	19.9	20.4	20.4	20.9	21.4	19.9	20.4	20.4	20.9	21.4

Luminaria

Código CS5A-00X9AZDU05
Nombre CIRCULAR

Ensayo

Código CS5A-00X9AZDU05
Nombre CIRCULAR

Flujo Luminaria	1615.07 lm	Potencia luminaria	39.70 W	Eficacia	40.68 lm/W	Eficiencia	100.00%
Flujo de Lámpara	1615.07 lm	Valor Máximo	306.99 cd/klm	Posición	C=0.00 G=15.00	CG	Rotosimétrico

Flujo Total=1615.07 Flujo Luminaria=1615.07

RI	0.60	0.80	1.00	1.25	1.50	2.00	2.50	3.00	4.00	5.00	10.00	20.00
DRR	0.29	0.37	0.45	0.52	0.57	0.66	0.72	0.76	0.81	0.85	0.92	0.96
RC	5	5	5	5	5	5	5	5	5	5	5	5

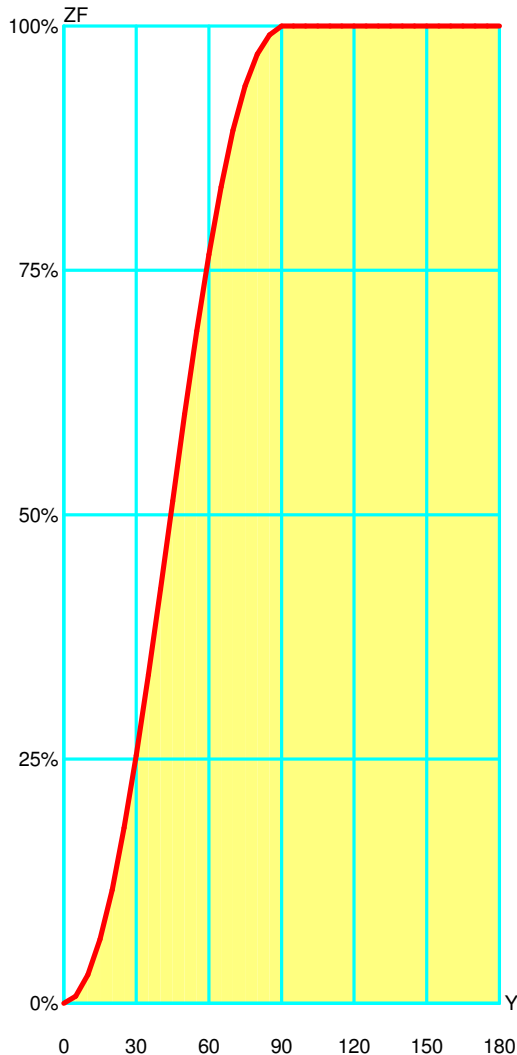
Flujo Zonal por 1000 Lúmenes

Y°	10	20	30	40	50	60	70	80	90	100	110	120	130	140	150	160	170	180
ZF(Y)	29	116	254	424	603	766	893	971	1000	1000	1000	1000	1000	1000	1000	1000	1000	1000

Códigos de Flujo C.I.E.
45 77 94 100 100

C.I.E.	5
D DIN 5040	A30
F UTE	1.00 E
B NBN	BZ 5
RN	0.00000 %
BLF	1.0

LOR	100.00000 %
ULOR	0.00000 %
DLOR	100.00000 %
UFF	0.00000 %
DFF	100.00000 %
FFR	0.00000 %



Gamma °	Flujo Zonal			
	Flujo	Suma lm	Flujo [%]	Suma [%]
0°	0.00	0.00	0.00%	0.00 %
5°	7.26	7.26	0.73 %	0.73 %
10°	21.82	29.07	2.18 %	2.91 %
15°	36.37	65.44	3.64 %	6.54 %
20°	50.51	115.95	5.05 %	11.60 %
25°	63.42	179.37	6.34 %	17.94 %
30°	74.27	253.64	7.43 %	25.36 %
35°	82.49	336.13	8.25 %	33.61 %
40°	87.79	423.92	8.78 %	42.39 %
45°	89.94	513.86	8.99 %	51.39 %
50°	88.96	602.82	8.90 %	60.28 %
55°	85.00	687.83	8.50 %	68.78 %
60°	78.28	766.10	7.83 %	76.61 %
65°	69.13	835.23	6.91 %	83.52 %
70°	58.01	893.25	5.80 %	89.32 %
75°	45.51	938.76	4.55 %	93.88 %
80°	32.35	971.11	3.23 %	97.11 %
85°	19.69	990.79	1.97 %	99.08 %
90°	9.21	1000.00	0.92 %	100.00 %
95°	0.00	1000.00	0.00 %	100.00 %
100°	0.00	1000.00	0.00 %	100.00 %
105°	0.00	1000.00	0.00 %	100.00 %
110°	0.00	1000.00	0.00 %	100.00 %
115°	0.00	1000.00	0.00 %	100.00 %
120°	0.00	1000.00	0.00 %	100.00 %
125°	0.00	1000.00	0.00 %	100.00 %
130°	0.00	1000.00	0.00 %	100.00 %
135°	0.00	1000.00	0.00 %	100.00 %
140°	0.00	1000.00	0.00 %	100.00 %
145°	0.00	1000.00	0.00 %	100.00 %
150°	0.00	1000.00	0.00 %	100.00 %
155°	0.00	1000.00	0.00 %	100.00 %
160°	0.00	1000.00	0.00 %	100.00 %
165°	0.00	1000.00	0.00 %	100.00 %
170°	0.00	1000.00	0.00 %	100.00 %
175°	0.00	1000.00	0.00 %	100.00 %
180°	0.00	1000.00	0.00 %	100.00 %

Luminaria

Código CS5A-00X9AZDU05

Nombre CIRCULAR

Ensayo

Código CS5A-00X9AZDU05

Nombre CIRCULAR

Flujo Luminaria	1615.07 lm	Potencia luminaria	39.70 W	Eficacia	40.68 lm/W	Eficiencia	100.00%
Flujo de Lámpara	1615.07 lm	Valor Máximo	306.99 cd/klm	Posición	C=0.00 G=15.00	CG	Rotosimétrico

Utilización CIE

Montaje	Directo	Normalización										Normalizados										Raz. de Susp. 1/3			CIE Estándar		
Techo																											
K	8873	8773	8871	8771	7773	7771	7753	7553	7751	7551	7731	7331	7711	7111	5551	5531	5331	5511	5111	3331	3311	1111	0000				
0.60	220	197	174	157	188	150	112	95	89	76	47	35	17	12	71	38	34	14	11	32	12	10	0				
0.80	254	233	186	172	222	164	141	123	102	89	57	45	23	17	84	47	43	20	16	41	17	15	0				
1.00	277	258	189	177	245	169	164	146	109	98	64	53	29	22	92	54	50	25	21	47	22	20	0				
1.25	297	280	187	177	267	170	187	170	114	104	70	60	36	28	98	61	57	31	27	54	28	25	0				
1.50	312	296	182	174	282	168	206	190	116	108	75	65	41	34	102	66	62	37	33	59	33	30	0				
2.00	329	316	172	166	302	160	235	220	117	111	81	73	51	44	105	73	70	46	42	67	42	39	0				
2.50	340	330	163	159	315	154	255	242	117	112	85	78	58	51	106	78	75	53	49	72	50	46	0				
3.00	348	339	156	152	324	148	271	258	116	112	88	82	64	57	107	82	79	59	55	76	55	52	0				
4.00	359	352	147	144	337	141	293	282	115	112	93	87	72	66	107	87	84	68	64	81	64	60	0				
5.00	366	360	141	139	345	136	307	298	115	112	95	91	78	73	108	90	88	73	70	85	70	67	0				
10.00	380	377	127	126	362	124	340	335	112	111	101	99	91	88	108	97	96	87	85	94	84	81	0				
20.00	388	386	118	118	371	116	359	356	110	110	104	103	99	97	107	101	101	96	95	98	93	90	0				

Pared

K	8873	8773	8871	8771	7773	7771	7753	7553	7751	7551	7731	7331	7711	7111	5551	5531	5331	5511	5111	3331	3311	1111	0000
0.60	475	463	418	410	457	405	360	352	327	321	274	270	236	234	318	270	269	235	234	268	234	233	213
0.80	537	524	459	451	514	445	419	409	371	365	318	313	279	276	360	313	311	277	275	309	275	274	251
1.00	578	565	482	474	553	468	461	451	400	394	349	343	310	306	388	343	341	307	305	338	305	304	277
1.25	614	602	499	493	588	485	501	491	424	418	377	371	339	335	411	370	367	335	333	364	333	331	301
1.50	640	629	511	505	613	497	532	521	442	436	397	391	361	357	429	390	387	357	355	383	354	351	319
2.00	668	658	516	511	639	503	569	559	457	453	419	414	387	382	444	410	408	382	379	403	377	374	338
2.50	686	677	517	513	656	505	594	584	466	462	433	428	404	399	453	423	421	398	395	416	393	388	349
3.00	696	688	515	513	666	505	611	601	471	467	441	436	415	410	457	431	429	408	406	423	402	397	356
4.00	716	709	519	517	685	509	639	631	482	479	457	453	435	431	468	447	445	427	425	438	421	415	371
5.00	730	725	523	522	699	514	660	652	491	489	470	467	451	447	478	459	458	442	440	450	435	428	382
10.00	765	762	535	534	733	527	710	705	514	512	501	499	489	486	501	490	489	479	477	479	470	461	411
20.00	779	778	536	536	747	529	734	731	522	521	515	514	508	506	509	503	502	497	496	492	486	477	424

P.Trab.

K	8873	8773	8871	8771	7773	7771	7753	7553	7751	7551	7731	7331	7711	7111	5551	5531	5331	5511	5111	3331	3311	1111	0000
0.60	582	569	543	534	561	528	443	436	427	421	359	354	310	308	417	354	353	308	307	351	307	307	289
0.80	690	676	636	626	663	617	545	535	520	513	450	444	397	394	506	443	441	395	393	439	393	392	373
1.00	775	760	706	697	744	687	629	617	595	587	526	519	473	469	578	518	515	469	467	511	467	465	446
1.25	855	840	770	762	820	750	711	698	666	658	600	593	548	543	648	590	587	543	541	582	540	537	519
1.50	914	900	817	809	877	797	774	760	719	712	657	650	607	601	700	646	643	601	598	637	596	592	575
2.00	1000	988	882	876	961	863	871	857	798	792	745	737	699	693	777	731	728	691	688	720	684	679	662
2.50	1000	1000	923	918	1000	905	936	922	849	844	802	795	761	754	827	787	784	751	748	774	743	736	721
3.00	1000	1000	950	946	1000	933	983	970	885	880	843	836	806	799	863	827	824	795	791	813	785	777	762
4.00	1000	1000	984	981	1000	968	1000	1000	929	925	895	889	864	857	906	877	875	850	847	862	839	828	815
5.00	1000	1000	1000	1000	1000	988	1000	1000	956	953	927	921	900	894	933	908	906	885	882	892	872	860	847
10.00	1000	1000	1000	1000	1000	1000	1000	1000	1000	1000	996	993	980	976	990	976	974	962	960	957	945	929	918
20.00	1000	1000	1000	1000	1000	1000	1000	1000	1000	1000	1000	1000	1000	1000	1000	1000	1000	1000	1000	993	987	969	958

LM53 SHR C0-C180: 1.375 SHR C90-C270: 1.375 SHR Superficial: 1.469

LEDS C4⁺

Luminaria

Código CS5A-00X9AZDU05

Nombre CIRCULAR

Ensayo

Código CS5A-00X9AZDU05

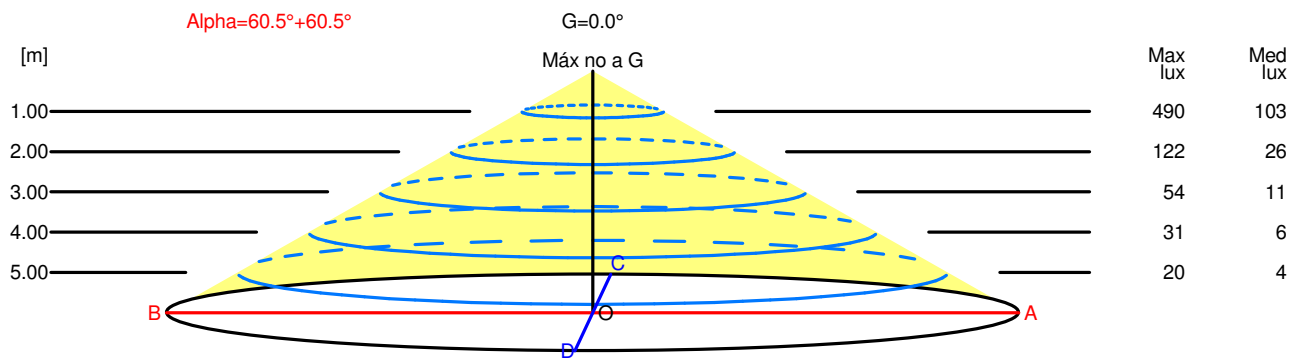
Nombre CIRCULAR

Flujo Luminaria	1615.07 lm	Potencia luminaria	39.70 W	Eficacia	40.68 lm/W	Eficiencia	100.00%
Flujo de Lámpara	1615.07 lm	Valor Máximo	306.99 cd/klm	Posición	C=0.00 G=15.00	CG	Rotosimétrico

Apertura a 50.00 % de Max Intensidad

H[m]	1.00	2.00	3.00	4.00	5.00	H[m]	1.00	2.00	3.00	4.00	5.00
OA	1.76	3.53	5.29	7.06	8.82	OC	1.76	3.53	5.29	7.06	8.82
OB	1.76	3.53	5.29	7.06	8.82	OD	1.76	3.53	5.29	7.06	8.82

	Intensidades Luminosas [cd/klm]									
	0	5	15	25	35	45	55	65	75	85
OA	489.63	490.88	495.81	482.69	439.81	374.79	295.13	207.53	118.88	41.14
OB	489.63	490.88	495.81	482.69	439.81	374.79	295.13	207.53	118.88	41.14
OC	489.63	490.88	495.81	482.69	439.81	374.79	295.13	207.53	118.88	41.14
OD	489.63	490.88	495.81	482.69	439.81	374.79	295.13	207.53	118.88	41.14



H[m]	D[m]	Max lux	Med lux	Alpha=60.5°+60.5°	G=0.0 Máx no a G
1.00	3.53	490	103		
2.00	7.06	122	26		
3.00	10.59	54	11		
4.00	14.12	31	6		
5.00	17.64	20	4		

Luminaria

Código CS5A-00X9AZDU05

Nombre CIRCULAR

Ensayo

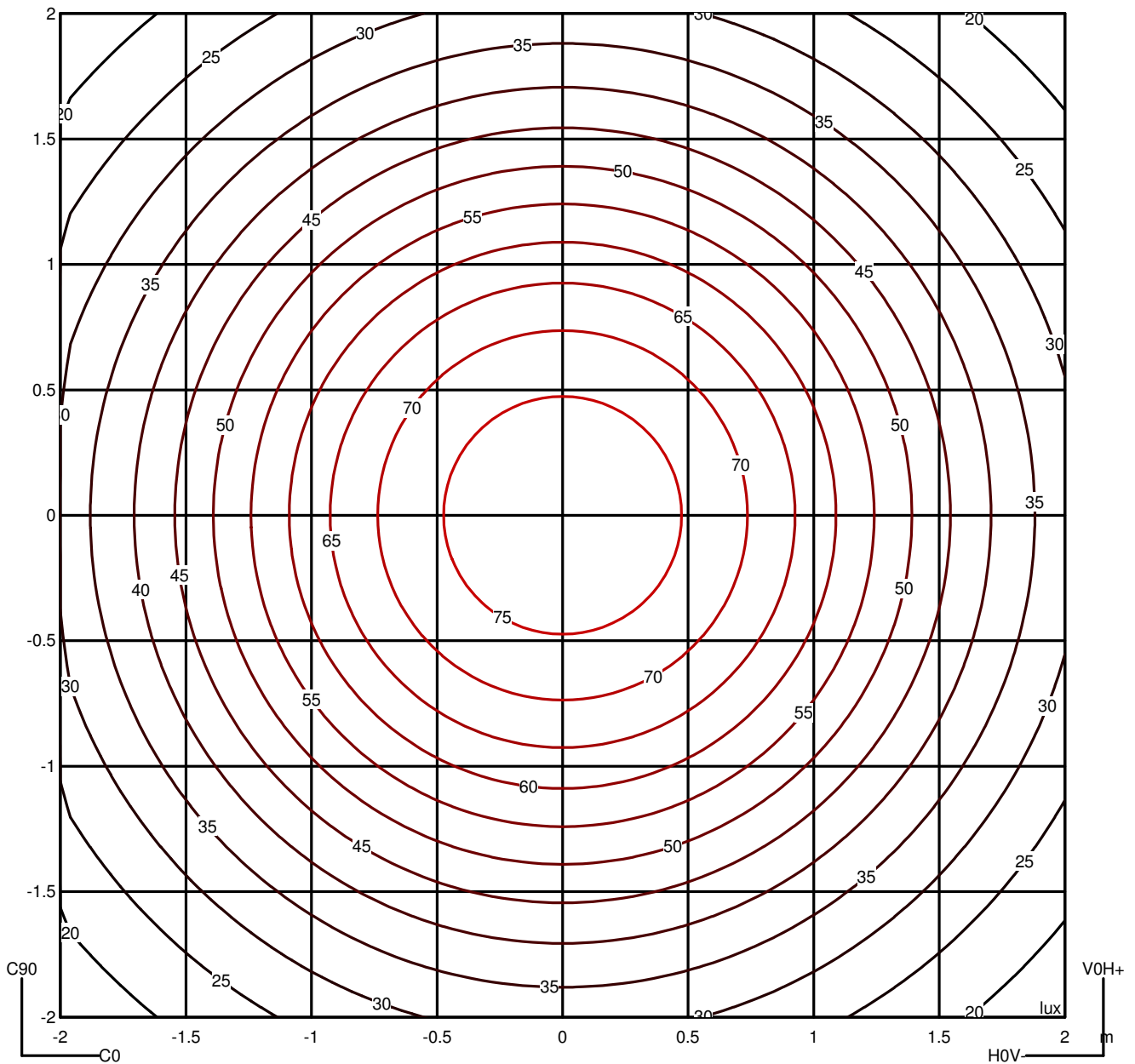
Código CS5A-00X9AZDU05

Nombre CIRCULAR

Flujo Luminaria	1615.07 lm	Potencia luminaria	39.70 W	Eficacia	40.68 lm/W	Eficiencia	100.00%
Flujo de Lámpara	1615.07 lm	Valor Máximo	306.99 cd/klm	Posición	C=0.00 G=15.00	CG	Rotosimétrico

Isolux (Suelo)

Posición Luminaria X=0.00m Y=0.00m Z=2.50m



LEDS C4[®]

Luminaria

Código CS5A-00X9AZDU05

Nombre CIRCULAR

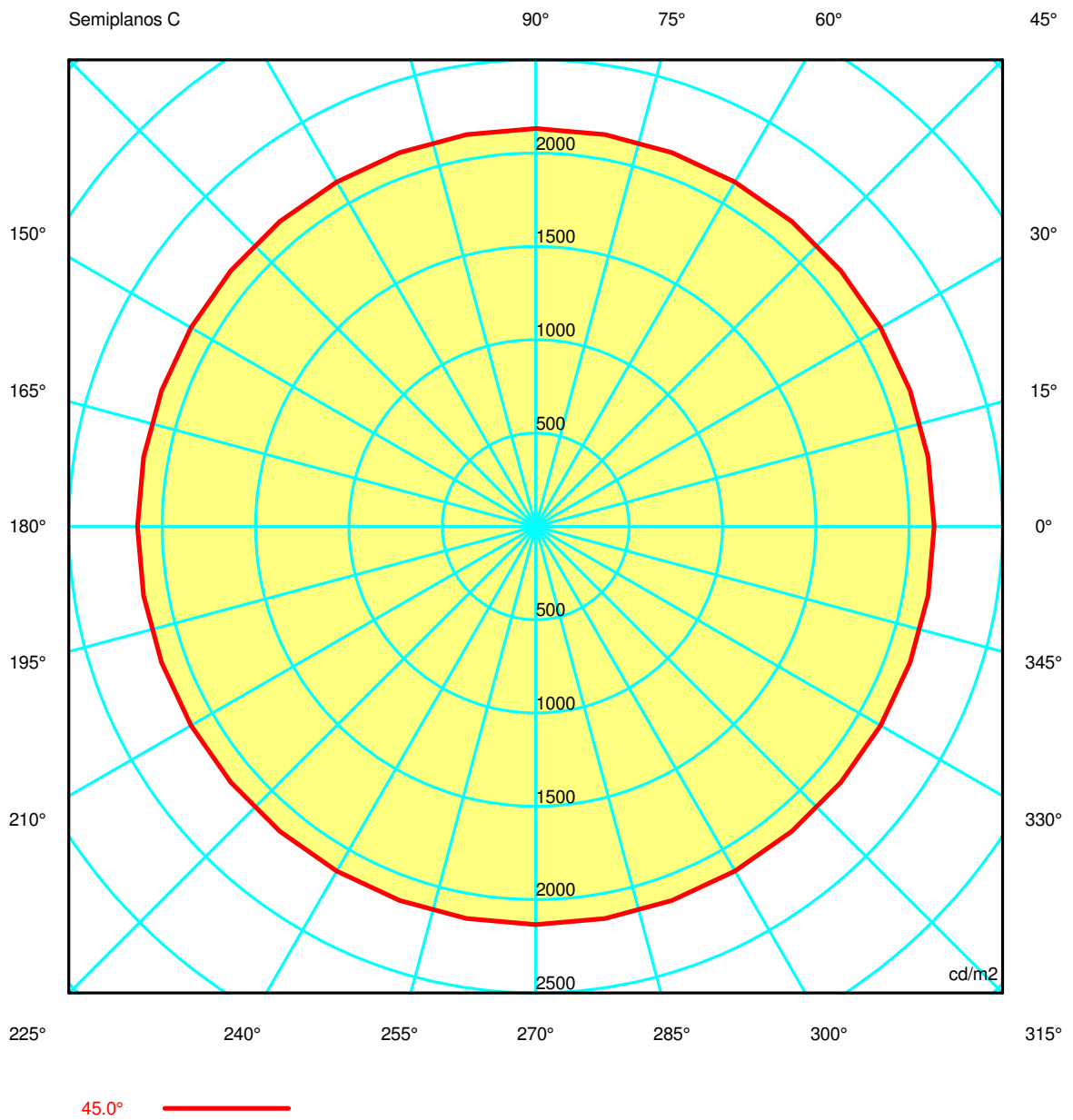
Ensayo

Código CS5A-00X9AZDU05

Nombre CIRCULAR

Flujo Luminaria	1615.07 lm	Potencia luminaria	39.70 W	Eficacia	40.68 lm/W	Eficiencia	100.00%
Flujo de Lámpara	1615.07 lm	Valor Máximo	306.99 cd/klm	Posición	C=0.00 G=15.00	CG	Rotosimétrico

Luminancia



Luminaria

Código CS5A-00X9AZDU05

Nombre CIRCULAR

Ensayo

Código CS5A-00X9AZDU05

Nombre CIRCULAR

Flujo Luminaria	1615.07 lm	Potencia luminaria	39.70 W	Eficacia	40.68 lm/W	Eficiencia	100.00%
Flujo de Lámpara	1615.07 lm	Valor Máximo	306.99 cd/klm	Posición	C=0.00 G=15.00	CG	Rotosimétrico

Luminance cd/m2
Tabla 1/3

	C 0.00	C 10.00	C 20.00	C 30.00	C 40.00	C 50.00	C 60.00	C 70.00	C 80.00	C 90.00	C 100.00	C 110.00	C 120.00
G 0.0	2098.86	2098.86	2098.86	2098.86	2098.86	2098.86	2098.86	2098.86	2098.86	2098.86	2098.86	2098.86	2098.86
G 5.0	2100.24	2100.24	2100.24	2100.24	2100.24	2100.24	2100.24	2100.24	2100.24	2100.24	2100.24	2100.24	2100.24
G 10.0	2124.95	2124.95	2124.95	2124.95	2124.95	2124.95	2124.95	2124.95	2124.95	2124.95	2124.95	2124.95	2124.95
G 15.0	2162.42	2162.42	2162.42	2162.42	2162.42	2162.42	2162.42	2162.42	2162.42	2162.42	2162.42	2162.42	2162.42
G 20.0	2196.89	2196.89	2196.89	2196.89	2196.89	2196.89	2196.89	2196.89	2196.89	2196.89	2196.89	2196.89	2196.89
G 25.0	2215.46	2215.46	2215.46	2215.46	2215.46	2215.46	2215.46	2215.46	2215.46	2215.46	2215.46	2215.46	2215.46
G 30.0	2215.41	2215.41	2215.41	2215.41	2215.41	2215.41	2215.41	2215.41	2215.41	2215.41	2215.41	2215.41	2215.41
G 35.0	2200.74	2200.74	2200.74	2200.74	2200.74	2200.74	2200.74	2200.74	2200.74	2200.74	2200.74	2200.74	2200.74
G 40.0	2172.83	2172.83	2172.83	2172.83	2172.83	2172.83	2172.83	2172.83	2172.83	2172.83	2172.83	2172.83	2172.83
G 45.0	2132.58	2132.58	2132.58	2132.58	2132.58	2132.58	2132.58	2132.58	2132.58	2132.58	2132.58	2132.58	2132.58
G 50.0	2080.81	2080.81	2080.81	2080.81	2080.81	2080.81	2080.81	2080.81	2080.81	2080.81	2080.81	2080.81	2080.81
G 55.0	2017.19	2017.19	2017.19	2017.19	2017.19	2017.19	2017.19	2017.19	2017.19	2017.19	2017.19	2017.19	2017.19
G 60.0	1939.73	1939.73	1939.73	1939.73	1939.73	1939.73	1939.73	1939.73	1939.73	1939.73	1939.73	1939.73	1939.73
G 65.0	1846.00	1846.00	1846.00	1846.00	1846.00	1846.00	1846.00	1846.00	1846.00	1846.00	1846.00	1846.00	1846.00
G 70.0	1729.67	1729.67	1729.67	1729.67	1729.67	1729.67	1729.67	1729.67	1729.67	1729.67	1729.67	1729.67	1729.67
G 75.0	1582.55	1582.55	1582.55	1582.55	1582.55	1582.55	1582.55	1582.55	1582.55	1582.55	1582.55	1582.55	1582.55
G 80.0	1387.27	1387.27	1387.27	1387.27	1387.27	1387.27	1387.27	1387.27	1387.27	1387.27	1387.27	1387.27	1387.27
G 85.0	1157.83	1157.83	1157.83	1157.83	1157.83	1157.83	1157.83	1157.83	1157.83	1157.83	1157.83	1157.83	1157.83
G 90.0	1000.74	1000.74	1000.74	1000.74	1000.74	1000.74	1000.74	1000.74	1000.74	1000.74	1000.74	1000.74	1000.74

Luminaria

Código CS5A-00X9AZDU05

Nombre CIRCULAR

Ensayo

Código CS5A-00X9AZDU05

Nombre CIRCULAR

Flujo Luminaria	1615.07 lm	Potencia luminaria	39.70 W	Eficacia	40.68 lm/W	Eficiencia	100.00%
Flujo de Lámpara	1615.07 lm	Valor Máximo	306.99 cd/klm	Posición	C=0.00 G=15.00	CG	Rotosimétrico

Luminance cd/m2 Tabla 2/3

	C 130.00	C 140.00	C 150.00	C 160.00	C 170.00	C 180.00	C 190.00	C 200.00	C 210.00	C 220.00	C 230.00	C 240.00	C 250.00
G 0.0	2098.86	2098.86	2098.86	2098.86	2098.86	2098.86	2098.86	2098.86	2098.86	2098.86	2098.86	2098.86	2098.86
G 5.0	2100.24	2100.24	2100.24	2100.24	2100.24	2100.24	2100.24	2100.24	2100.24	2100.24	2100.24	2100.24	2100.24
G 10.0	2124.95	2124.95	2124.95	2124.95	2124.95	2124.95	2124.95	2124.95	2124.95	2124.95	2124.95	2124.95	2124.95
G 15.0	2162.42	2162.42	2162.42	2162.42	2162.42	2162.42	2162.42	2162.42	2162.42	2162.42	2162.42	2162.42	2162.42
G 20.0	2196.89	2196.89	2196.89	2196.89	2196.89	2196.89	2196.89	2196.89	2196.89	2196.89	2196.89	2196.89	2196.89
G 25.0	2215.46	2215.46	2215.46	2215.46	2215.46	2215.46	2215.46	2215.46	2215.46	2215.46	2215.46	2215.46	2215.46
G 30.0	2215.41	2215.41	2215.41	2215.41	2215.41	2215.41	2215.41	2215.41	2215.41	2215.41	2215.41	2215.41	2215.41
G 35.0	2200.74	2200.74	2200.74	2200.74	2200.74	2200.74	2200.74	2200.74	2200.74	2200.74	2200.74	2200.74	2200.74
G 40.0	2172.83	2172.83	2172.83	2172.83	2172.83	2172.83	2172.83	2172.83	2172.83	2172.83	2172.83	2172.83	2172.83
G 45.0	2132.58	2132.58	2132.58	2132.58	2132.58	2132.58	2132.58	2132.58	2132.58	2132.58	2132.58	2132.58	2132.58
G 50.0	2080.81	2080.81	2080.81	2080.81	2080.81	2080.81	2080.81	2080.81	2080.81	2080.81	2080.81	2080.81	2080.81
G 55.0	2017.19	2017.19	2017.19	2017.19	2017.19	2017.19	2017.19	2017.19	2017.19	2017.19	2017.19	2017.19	2017.19
G 60.0	1939.73	1939.73	1939.73	1939.73	1939.73	1939.73	1939.73	1939.73	1939.73	1939.73	1939.73	1939.73	1939.73
G 65.0	1846.00	1846.00	1846.00	1846.00	1846.00	1846.00	1846.00	1846.00	1846.00	1846.00	1846.00	1846.00	1846.00
G 70.0	1729.67	1729.67	1729.67	1729.67	1729.67	1729.67	1729.67	1729.67	1729.67	1729.67	1729.67	1729.67	1729.67
G 75.0	1582.55	1582.55	1582.55	1582.55	1582.55	1582.55	1582.55	1582.55	1582.55	1582.55	1582.55	1582.55	1582.55
G 80.0	1387.27	1387.27	1387.27	1387.27	1387.27	1387.27	1387.27	1387.27	1387.27	1387.27	1387.27	1387.27	1387.27
G 85.0	1157.83	1157.83	1157.83	1157.83	1157.83	1157.83	1157.83	1157.83	1157.83	1157.83	1157.83	1157.83	1157.83
G 90.0	1000.74	1000.74	1000.74	1000.74	1000.74	1000.74	1000.74	1000.74	1000.74	1000.74	1000.74	1000.74	1000.74

Luminaria

Código CS5A-00X9AZDU05

Nombre CIRCULAR

Ensayo

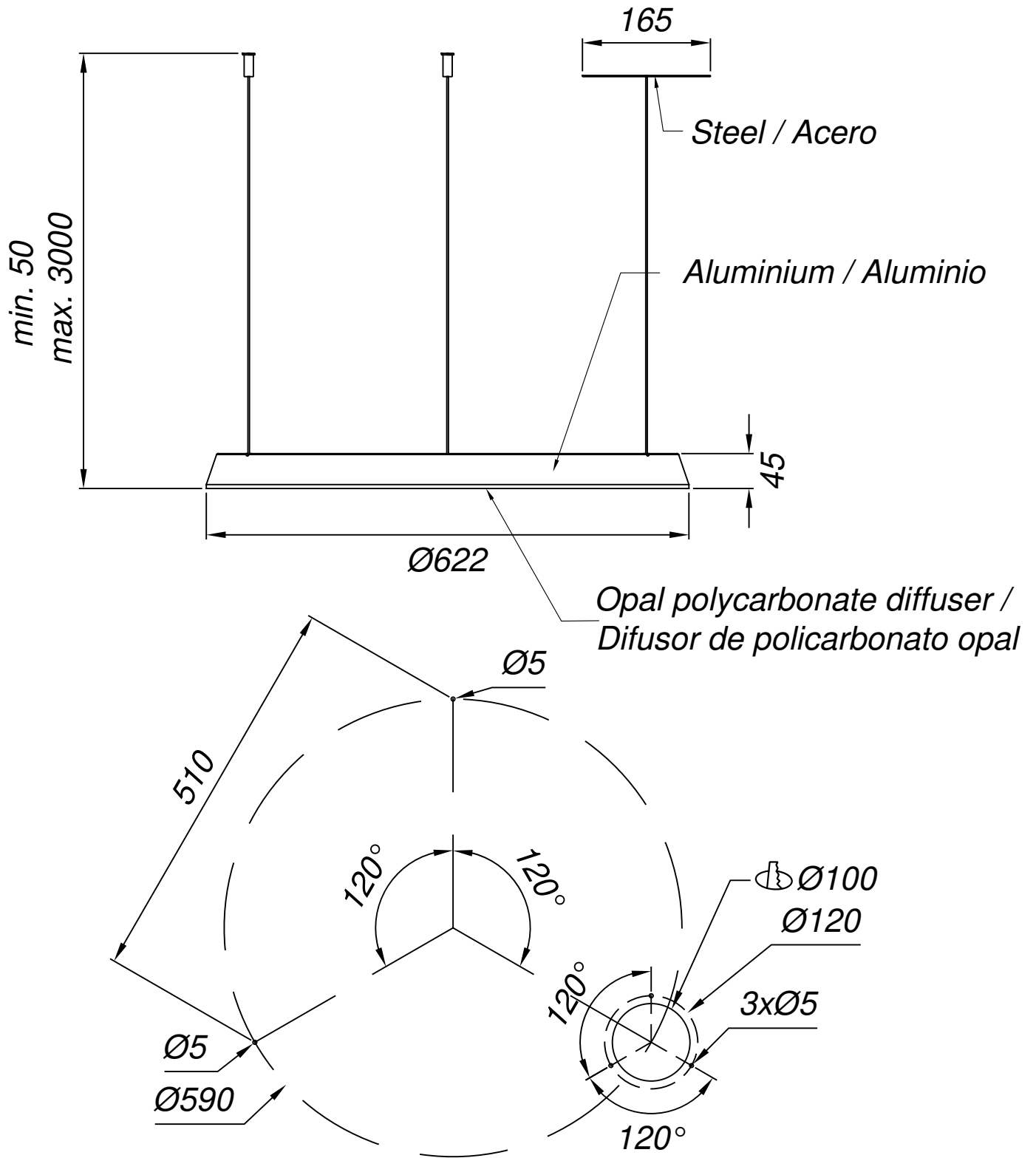
Código CS5A-00X9AZDU05

Nombre CIRCULAR

Flujo Luminaria	1615.07 lm	Potencia luminaria	39.70 W	Eficacia	40.68 lm/W	Eficiencia	100.00%
Flujo de Lámpara	1615.07 lm	Valor Máximo	306.99 cd/klm	Posición	C=0.00 G=15.00	CG	Rotosimétrico

Luminance cd/m2 Tabla 3/3

	C 260.00	C 270.00	C 280.00	C 290.00	C 300.00	C 310.00	C 320.00	C 330.00	C 340.00	C 350.00
G 0.0	2098.86	2098.86	2098.86	2098.86	2098.86	2098.86	2098.86	2098.86	2098.86	2098.86
G 5.0	2100.24	2100.24	2100.24	2100.24	2100.24	2100.24	2100.24	2100.24	2100.24	2100.24
G 10.0	2124.95	2124.95	2124.95	2124.95	2124.95	2124.95	2124.95	2124.95	2124.95	2124.95
G 15.0	2162.42	2162.42	2162.42	2162.42	2162.42	2162.42	2162.42	2162.42	2162.42	2162.42
G 20.0	2196.89	2196.89	2196.89	2196.89	2196.89	2196.89	2196.89	2196.89	2196.89	2196.89
G 25.0	2215.46	2215.46	2215.46	2215.46	2215.46	2215.46	2215.46	2215.46	2215.46	2215.46
G 30.0	2215.41	2215.41	2215.41	2215.41	2215.41	2215.41	2215.41	2215.41	2215.41	2215.41
G 35.0	2200.74	2200.74	2200.74	2200.74	2200.74	2200.74	2200.74	2200.74	2200.74	2200.74
G 40.0	2172.83	2172.83	2172.83	2172.83	2172.83	2172.83	2172.83	2172.83	2172.83	2172.83
G 45.0	2132.58	2132.58	2132.58	2132.58	2132.58	2132.58	2132.58	2132.58	2132.58	2132.58
G 50.0	2080.81	2080.81	2080.81	2080.81	2080.81	2080.81	2080.81	2080.81	2080.81	2080.81
G 55.0	2017.19	2017.19	2017.19	2017.19	2017.19	2017.19	2017.19	2017.19	2017.19	2017.19
G 60.0	1939.73	1939.73	1939.73	1939.73	1939.73	1939.73	1939.73	1939.73	1939.73	1939.73
G 65.0	1846.00	1846.00	1846.00	1846.00	1846.00	1846.00	1846.00	1846.00	1846.00	1846.00
G 70.0	1729.67	1729.67	1729.67	1729.67	1729.67	1729.67	1729.67	1729.67	1729.67	1729.67
G 75.0	1582.55	1582.55	1582.55	1582.55	1582.55	1582.55	1582.55	1582.55	1582.55	1582.55
G 80.0	1387.27	1387.27	1387.27	1387.27	1387.27	1387.27	1387.27	1387.27	1387.27	1387.27
G 85.0	1157.83	1157.83	1157.83	1157.83	1157.83	1157.83	1157.83	1157.83	1157.83	1157.83
G 90.0	1000.74	1000.74	1000.74	1000.74	1000.74	1000.74	1000.74	1000.74	1000.74	1000.74

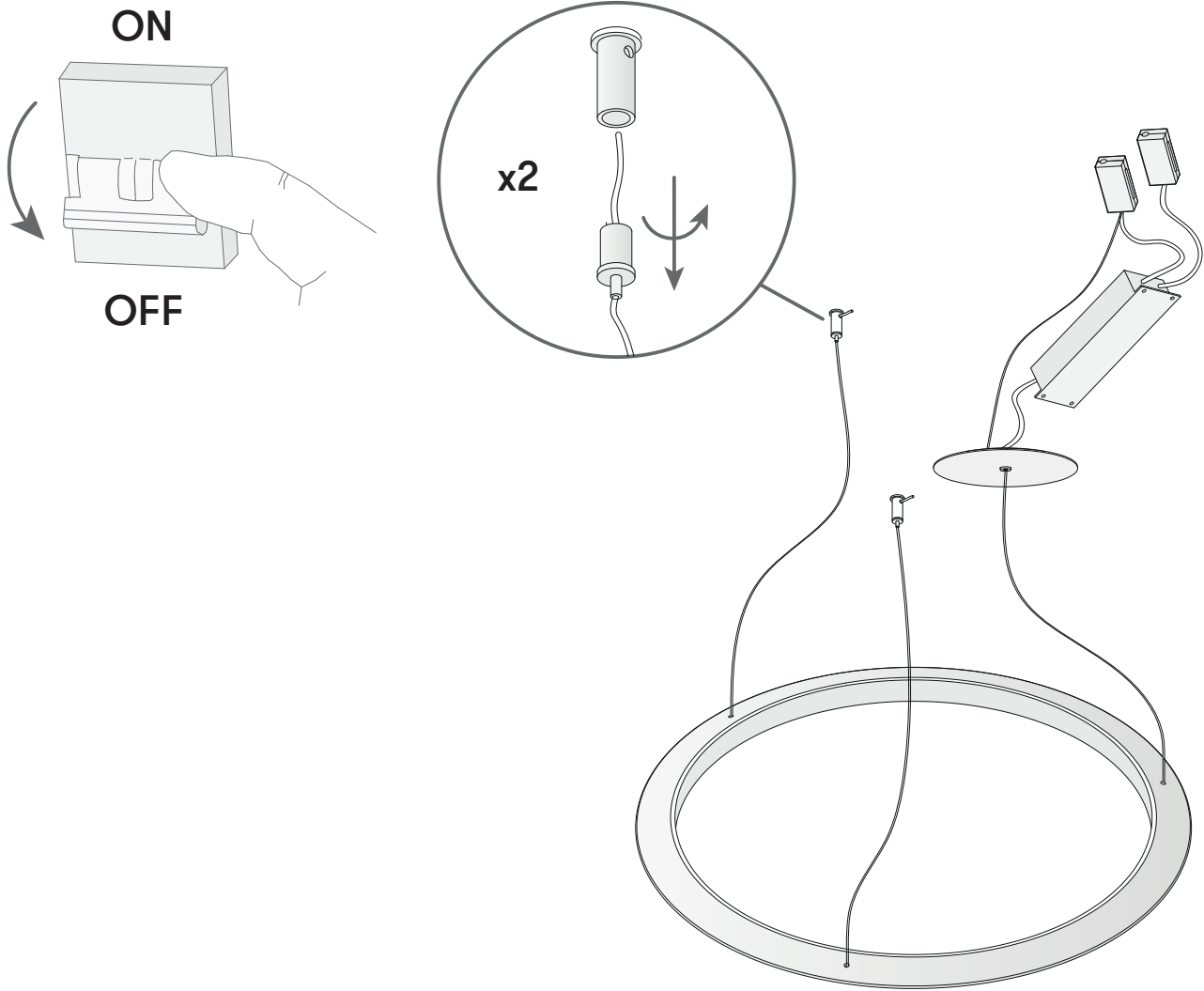


Grok

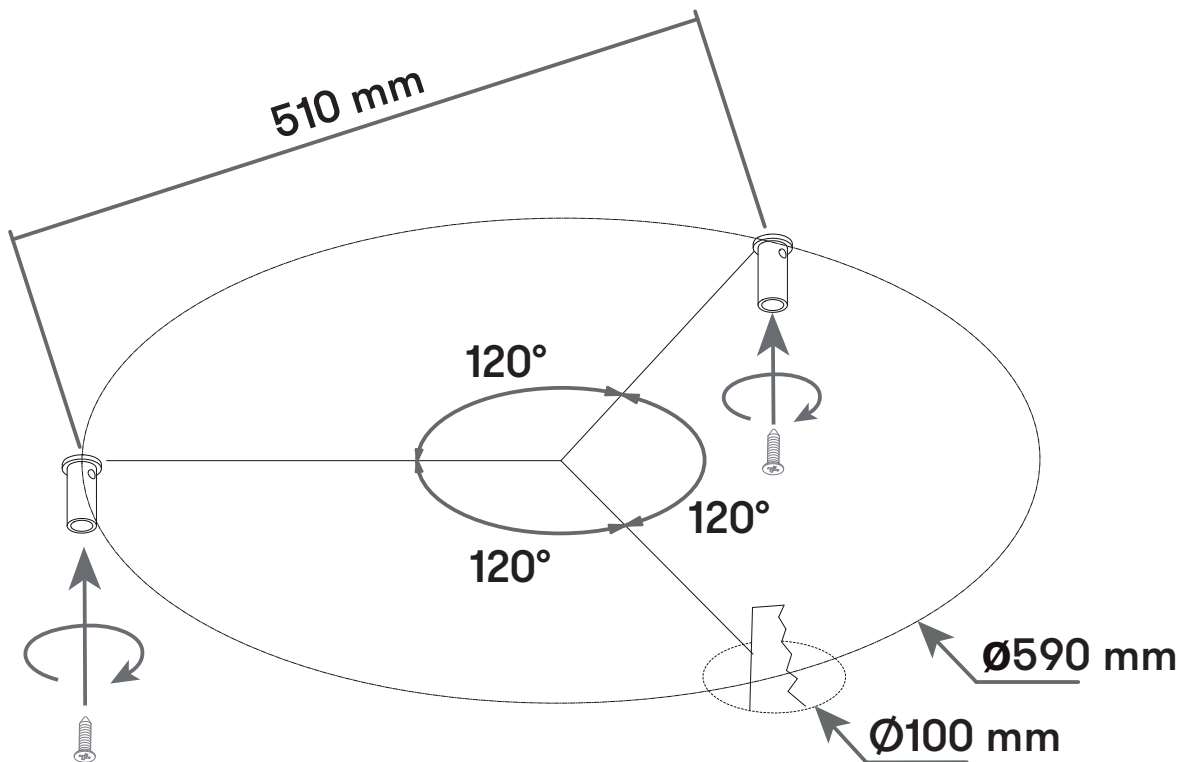
Light is life.

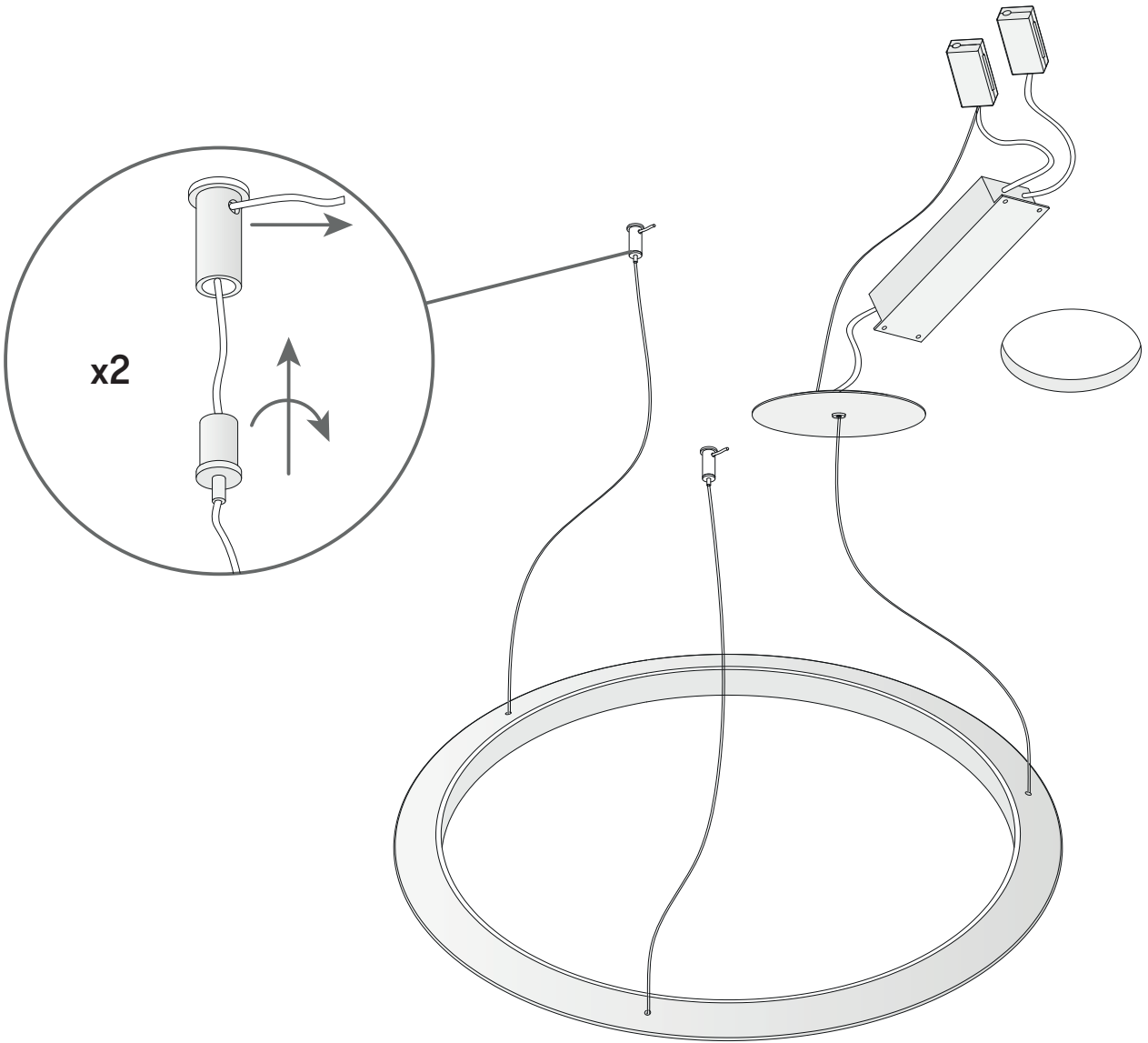
Circular
Downward | Canopy 5 | Ø600

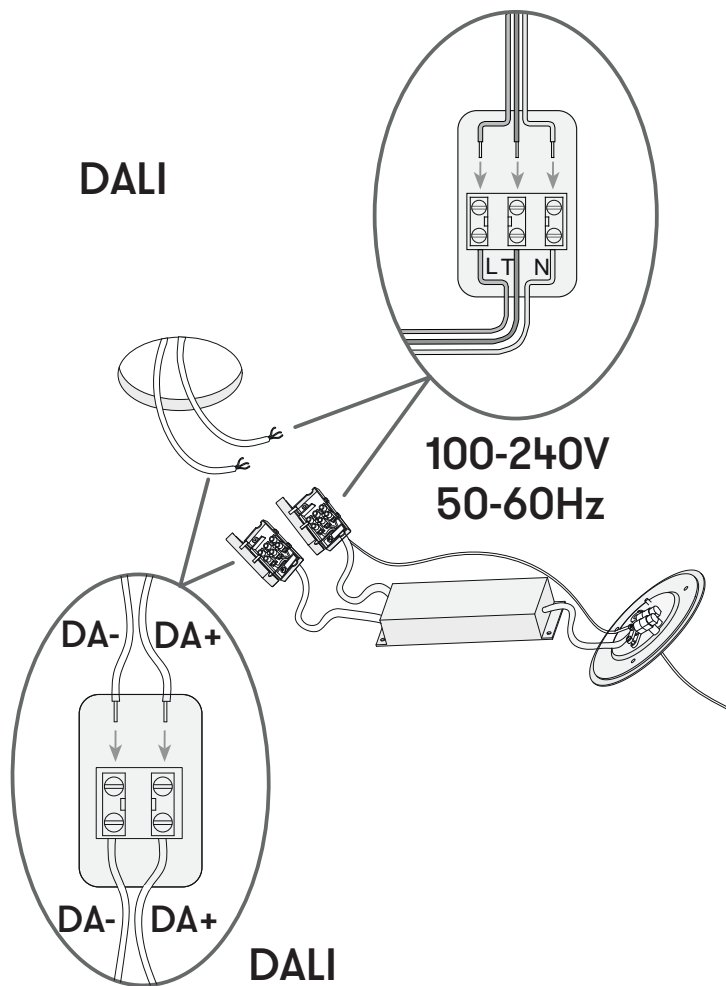
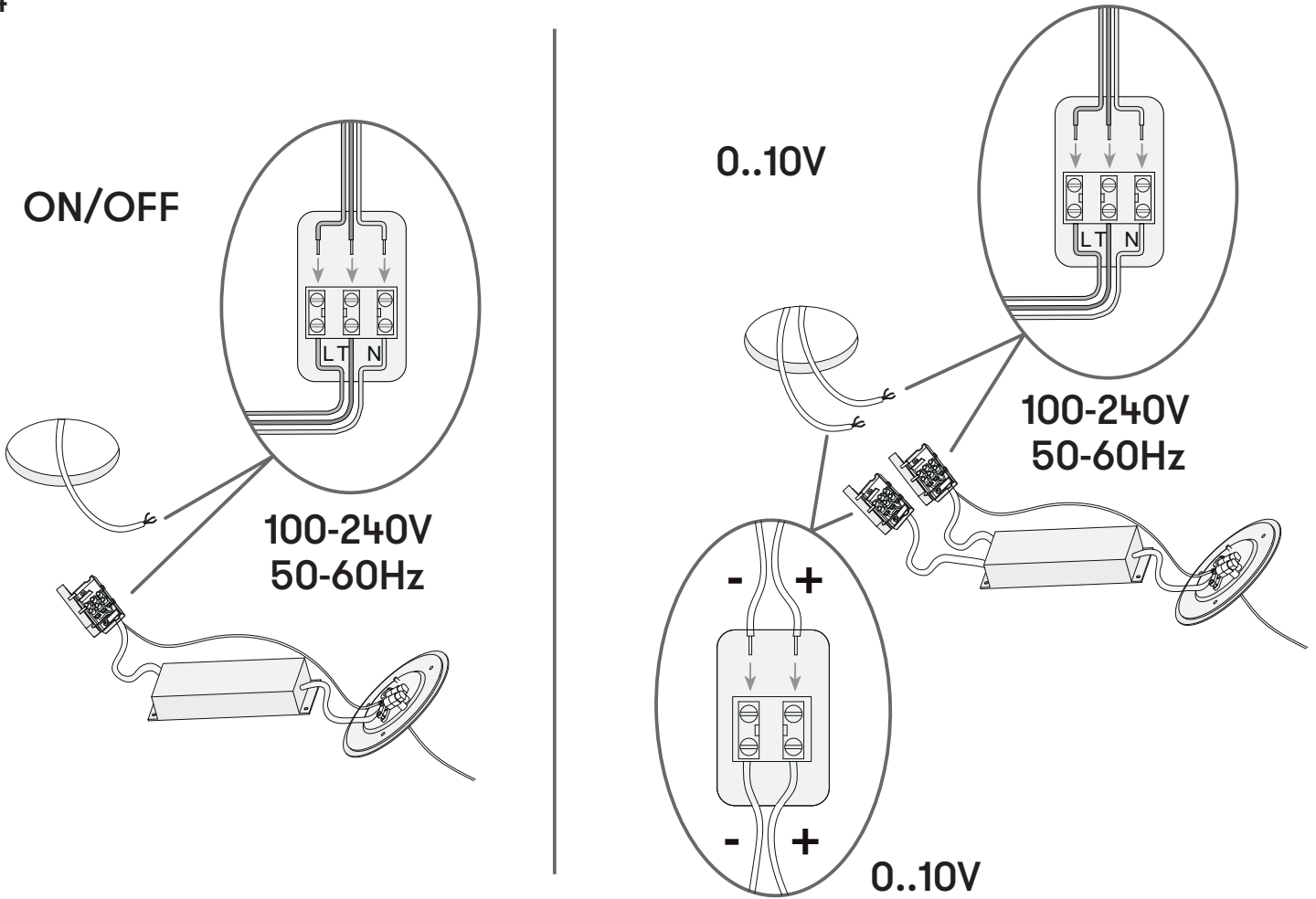
1

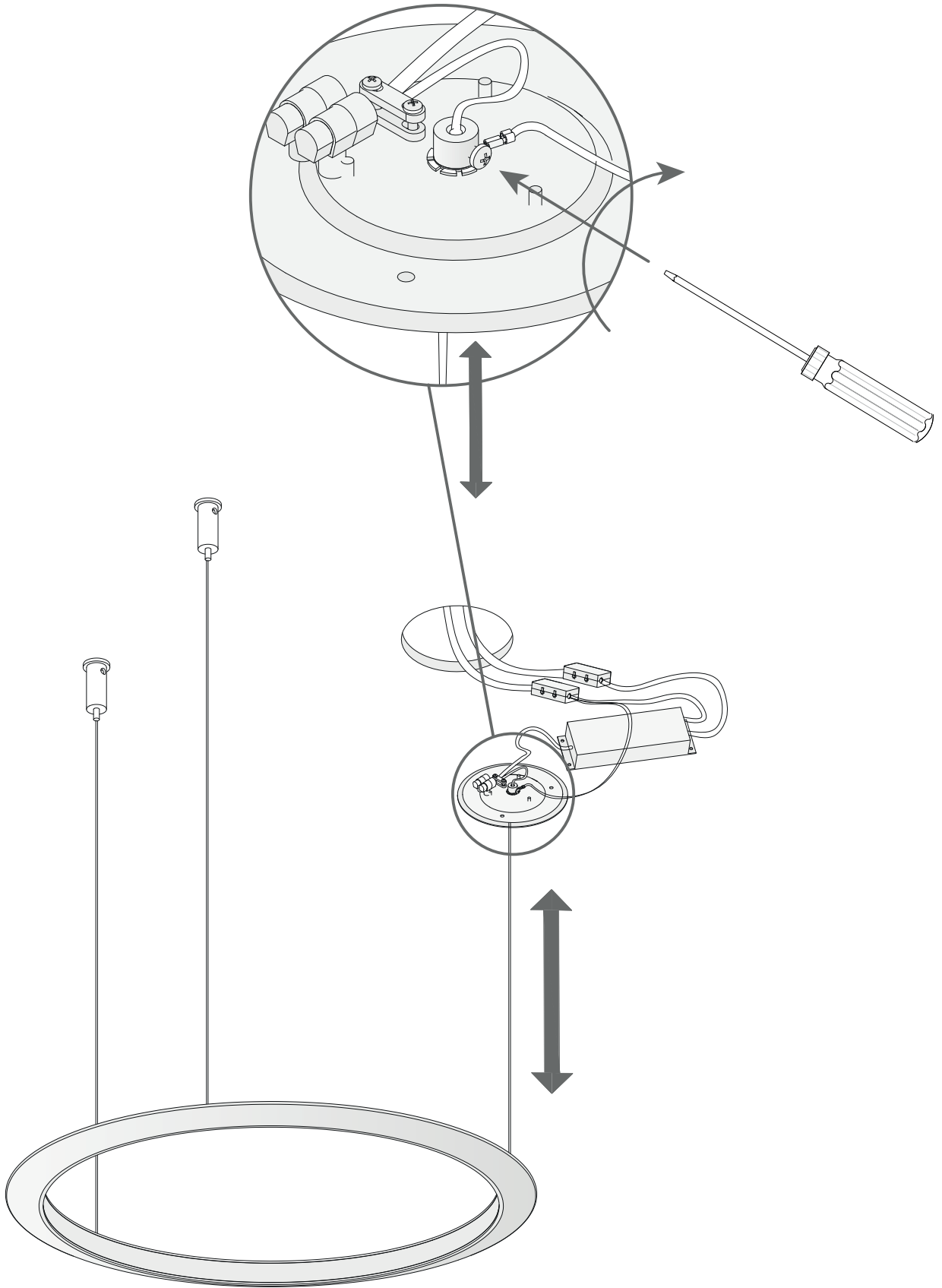


2

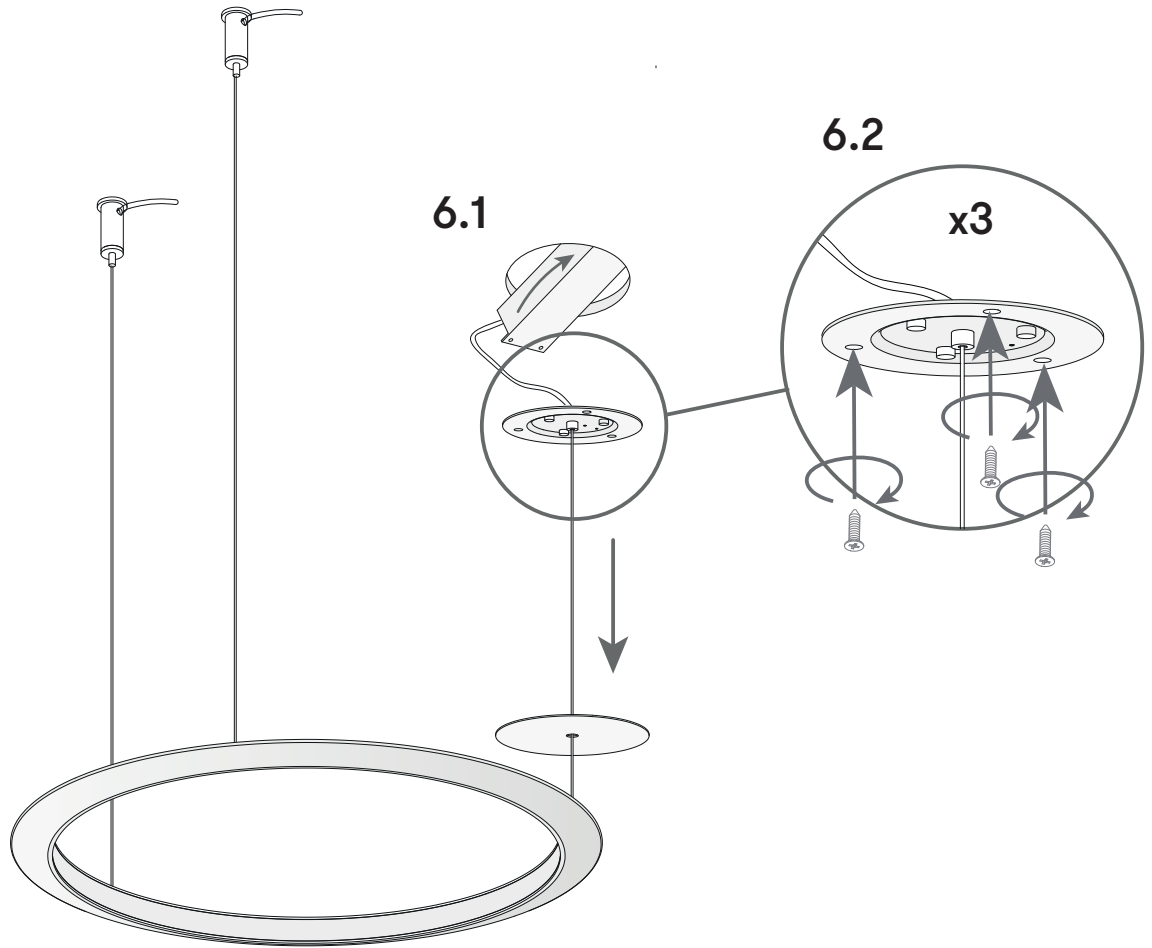




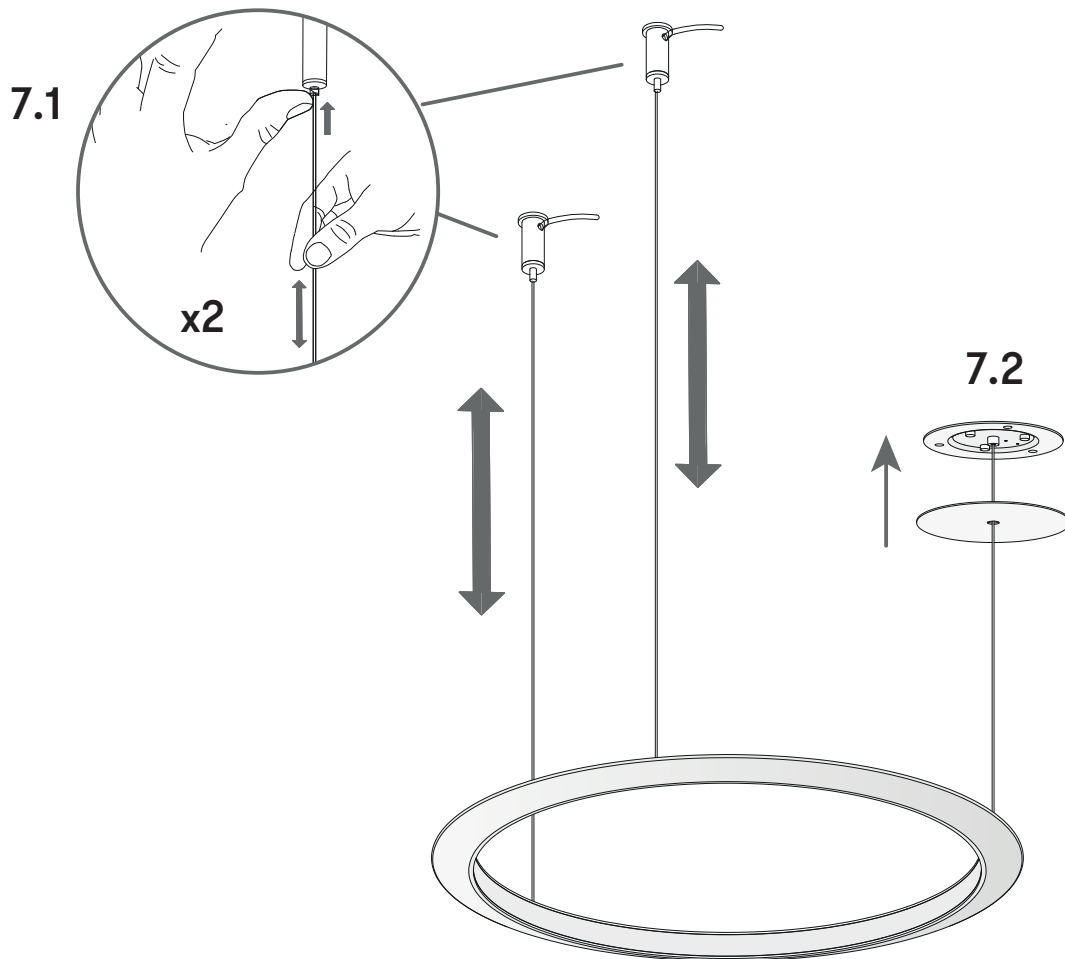




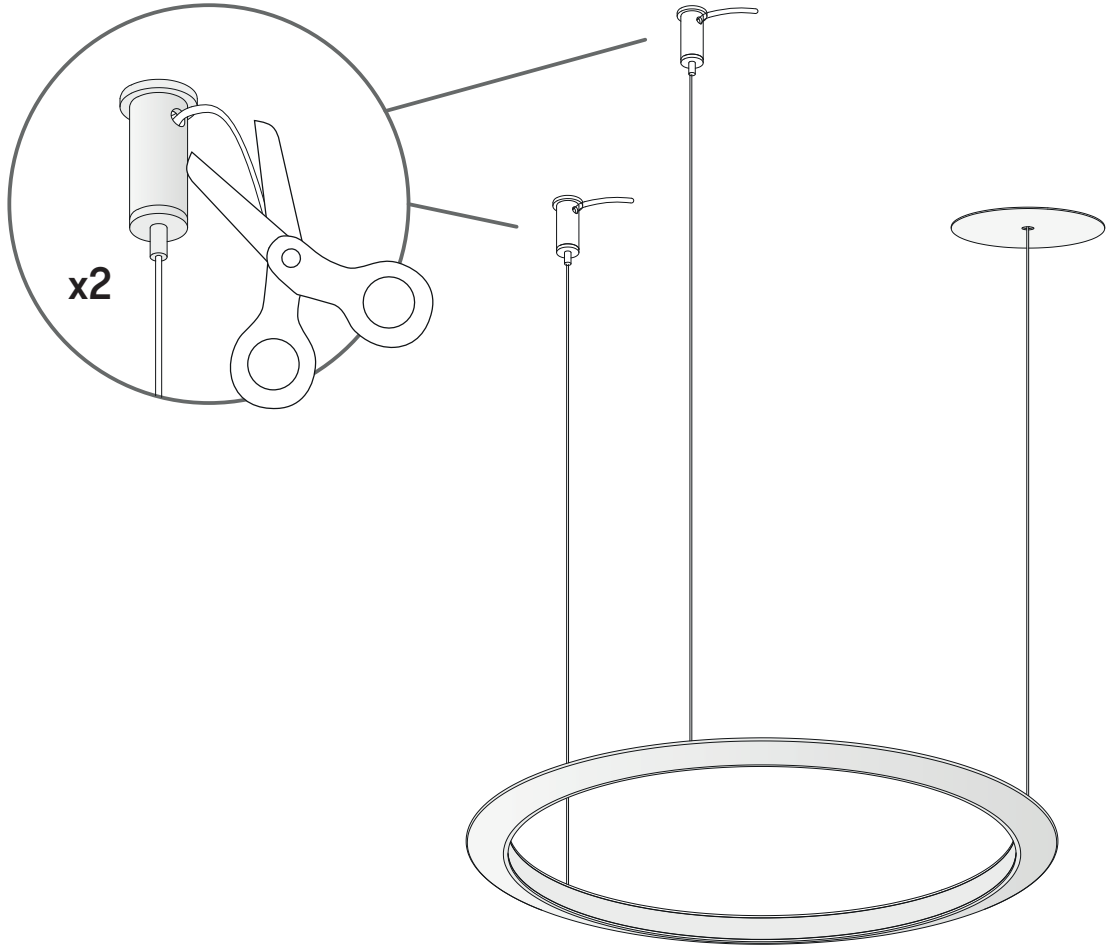
6



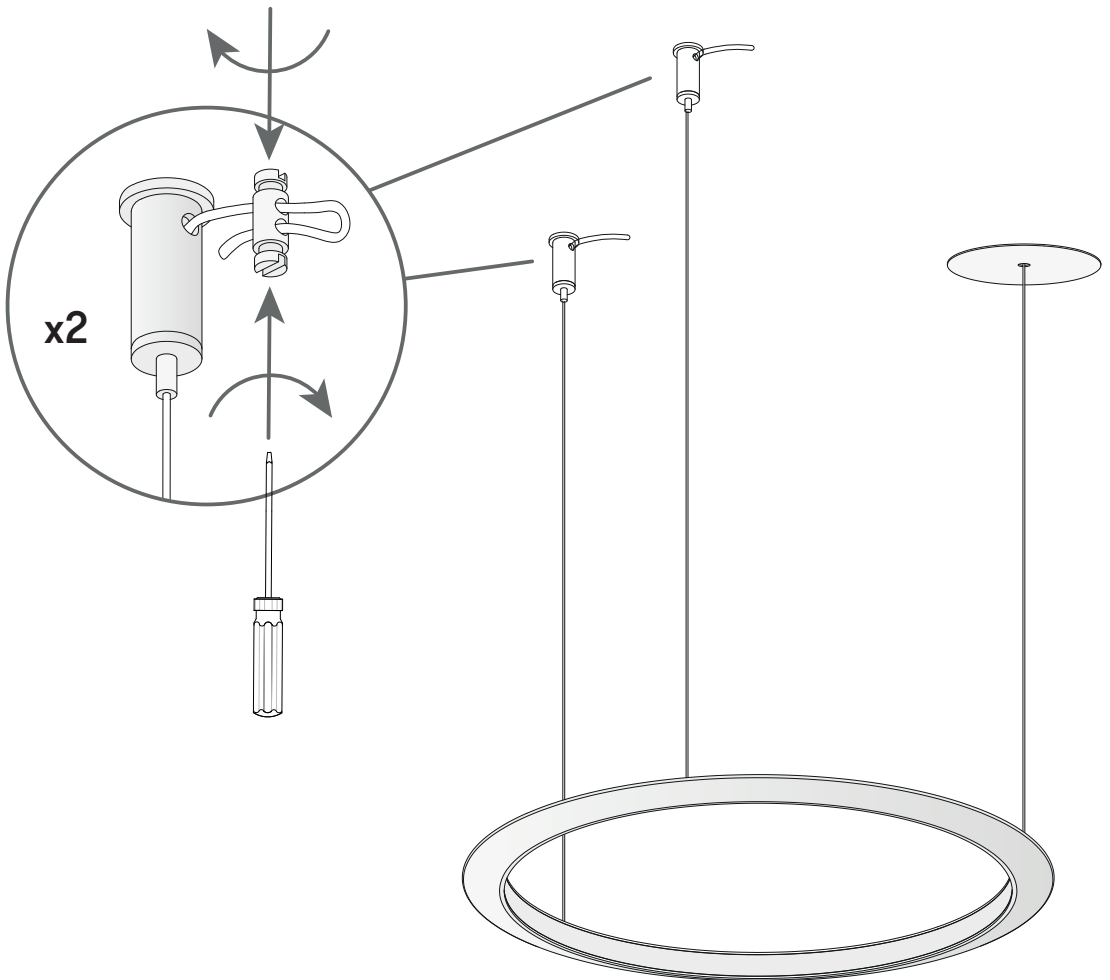
7

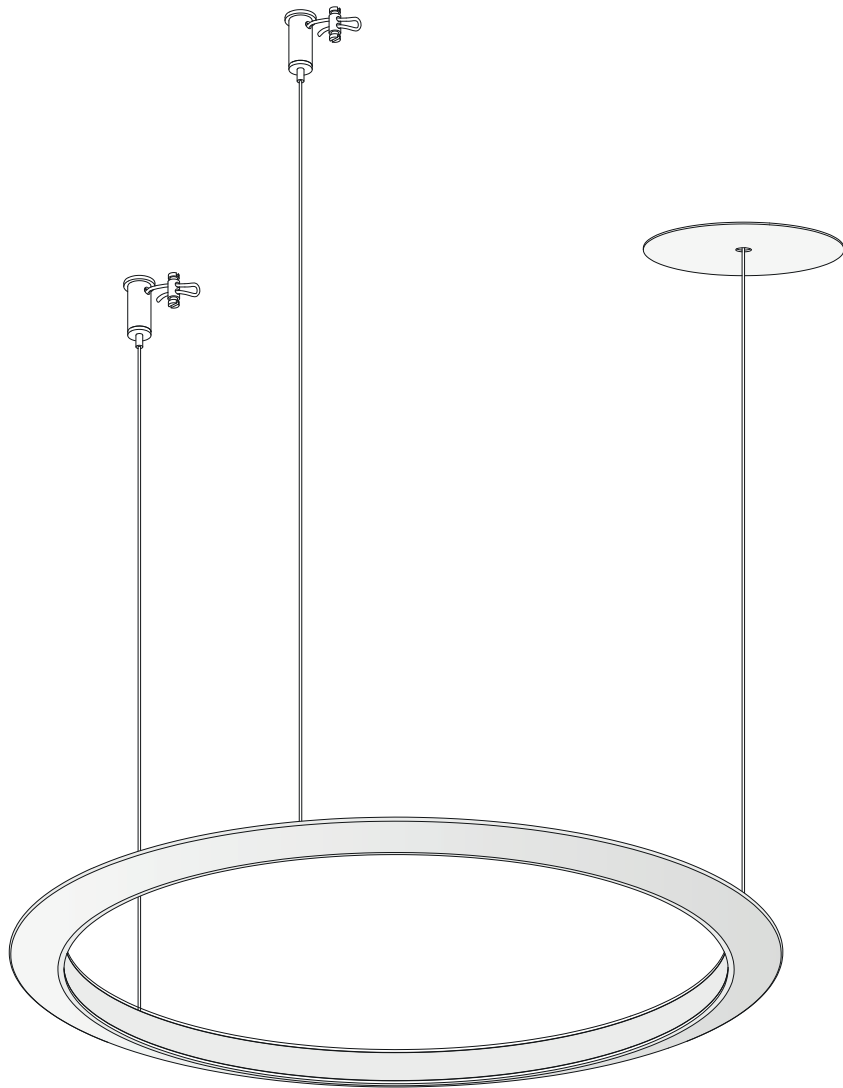
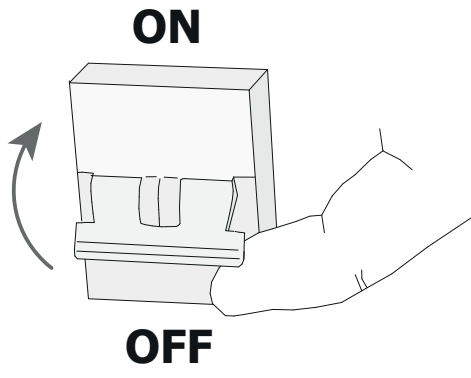


8



9





(ES) Derechos de garantía

El fabricante **LEDS-C4, S.A.** garantiza al consumidor y usuario el correcto funcionamiento del producto y posibles reparaciones o suministro de recambios del modelo debidos a defectos de fabricación durante el periodo de **5 años*** desde la fecha de entrega, pero no puede responsabilizarse de daños y/o perjuicios causados por un mal empleo del mismo. Para cualquier reclamación, se deberá adjuntar a esta garantía el ticket de compra. La empresa se compromete a la reparación total gratuita de los vicios o defectos detectados en el producto. Asimismo, si la reparación no es satisfactoria y el objeto no alcanza las condiciones óptimas para cumplir el uso al que está destinado, el titular de la garantía tendrá derecho a la sustitución del objeto adquirido por otro de idénticas características, a la rebaja del precio o la resolución del contrato. ***Consultar condiciones de garantía en www.leds-c4.com.**

Composición: Acabados: baños y/o pinturas epoxi y compuestos de materiales nobles. Estructuras: latón, acero y materiales de fundición. Otros componentes: alabastro, cristal, pantallas de tela, madera y piel.

MANTENIMIENTO: Desconectar la tensión de la red de alimentación antes de llevar a cabo cualquier operación de mantenimiento. No utilizar bombillas de distinto tipo ni de potencia superior a la indicada en la etiqueta de la luminaria. Durante las operaciones de limpieza, y para asegurar una mejor conservación, utilizar un paño suave y seco. El uso de productos abrasivos o de disolventes puede deteriorar el acabado de la luminaria.

IMPORTANTE: 1- La conexión eléctrica debe realizarla un técnico electricista. La manipulación interna o externa de la luminaria puede comprometer su seguridad. LEDS-C4, S.A. no se hará responsable de ninguna manipulación hecha por el usuario. 2- Si el cable o cordón de esta luminaria está dañado, deberá sustituirse exclusivamente por el fabricante o su servicio técnico, o por una persona con calificación equivalente, con objeto de evitar cualquier posible riesgo. 3- No monte la luminaria sobre superficies húmedas, recién pintadas o que presenten conductividad eléctrica. 4- Todas las luminarias sin protección especial contra la penetración de polvo o de humedad (sin marca IP) son aptas para uso en interior, excepto en baños. 5- Utilice sistemas de sujeción acordes con el peso del aparato. 6- Aleje siempre las conexiones y los cables de los puntos de calor de la luminaria. 7- Asegúrese de que los conductores de la instalación no resulten deteriorados por los tornillos de sujeción. 8- Bajo ninguna circunstancia la luminaria debe ser cubierta. 9- Las lámparas se calientan mucho durante su funcionamiento. Tóquelas sólo cuando se hayan enfriado, pasados 15 minutos. 10- No colgar ni apoyar elementos sobre las luminarias.

SÍMBOLOS:



Luminaria no adecuada para cubrirse con material aislante térmico.



Luminaria superficial no adecuada para montaje en superficies normalmente inflamables.



Luminaria empotrada no adecuada para montaje en superficies normalmente inflamables.



Todas las luminarias marcadas con este símbolo son de Clase I. El conductor de toma de tierra debe conectarse al borne marcado con el símbolo de toma de tierra.



Todas las luminarias marcadas con este símbolo son de Clase II. Ninguna parte metálica de las luminarias de Clase II se conectará al conductor de toma de tierra de la instalación de la vivienda.



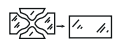
Todas las luminarias marcadas con este símbolo son de Clase III, lo cual significa que funcionan a muy baja tensión. Ninguna parte metálica de las luminarias de Clase III se conectará al conductor de toma de tierra de la instalación de la vivienda.



Este símbolo indica la distancia mínima entre el foco de la luminaria y el objeto iluminado.



Todas las luminarias marcadas con este símbolo están diseñadas para usar únicamente lámparas halógenas de wolframio o lámparas de halógenos metálicos con pantalla de protección propia.



Todas las luminarias marcadas con este símbolo deben equiparse con la pantalla de protección suministrada con la luminaria. Sustituir cualquier protector roto o defectuoso.



Precaución, riesgo de choque eléctrico.



No mirar fijamente a la fuente de luz en funcionamiento.



El símbolo de la papelera tachada en el aparato o en el embalaje, indica que el producto al final de su vida deberá eliminarse por separado de los demás desechos.

(EN) Warranty rights

LEDS-C4, S.A. guarantees to the consumer and the user of this product its correct operation and covers any possible repairs or the supply of parts for this product due to manufacturing defects for **5 years*** from the date of delivery. LEDS-C4, S.A. does not accept liability for any damages arising from incorrect use of this product. Please note that, in order to make a claim, you will be required to present this guarantee certificate together with proof of purchase. LEDS-C4, S.A. will completely repair the defects in the product free of charge. Also, if the product was not repaired to a satisfactory standard or if it was not fit for purpose, the holder of the guarantee will be entitled to the replacement of the purchased product for another one of the same features, to a price reduction or to the termination of the contract. ***Check warranty conditions at www.leds-c4.com.**

Composition: Finishes: plating and/or Epoxy paints and compounds of noble materials. Structure: brass, steel and cast iron. Other components: alabaster, crystal, fabric shades, wood and leather.

MAINTENANCE: Disconnect the mains voltage before starting any maintenance work. Do not use bulbs with a higher wattage than stated on the label of the luminaire. When cleaning, use a dry soft cloth to avoid damage. The use of abrasive products or solvents may harm the finish of the luminaire.

IMPORTANT: 1- The electrical connection of the luminaire should be performed by a qualified electrician. The internal or external manipulation of the luminaire may reduce its safety. LEDS-C4, S.A. cannot be held liable for any manipulation carried out by the user. 2- Should the luminaire cable or lead be damaged, it should be replaced only by the manufacturer or their technical service department, or someone equally qualified, in order to avoid any risk. 3- Do not install the luminaire on surfaces that are moist, freshly painted or electrically conductive. 4- All luminaires without special protection against dust or moisture (no IP rating) may be used indoors, except in bathrooms. 5- Use fastening systems appropriate to the weight of the appliance. 6- Make sure the connections and cables do not come into contact with the hot parts of the luminaire. 7- Make sure the installation conductors are not damaged by the fastening screws. 8- Under no circumstances should the luminaire be covered. 9- The lamps become very hot during operation. Let them cool down for 15 minutes after switch-off before handling them. 10- Do not lean or hang any objects from the luminaire.

SYMBOLS:



Luminaires not suitable for covering with thermally insulating material.



Surface luminaire not suitable for direct mounting on normally flammable surfaces.



Recessed luminaire not suitable for direct mounting on normally flammable surfaces.



All the luminaires bearing this symbol belong to Class I. The earth wire must be connected to the terminal marked with the Earth symbol.



All luminaires bearing this symbol are Class II. No metal part of Class II luminaires shall be connected to the earth connection of the home installation.



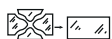
All luminaires bearing this symbol are Class III, which means that they operate at very low voltage. No metal part of Class III luminaires shall be connected to the earth connection of the home installation.



This symbol indicates the minimum distance to be left between the lamp of the luminaire and the object illuminated.



All luminaires bearing this symbol should be installed only with halogen wolfram lamps or metal halide lamps with their own enclosure.



All luminaires bearing this symbol should be installed with their protective enclosure. Replace any enclosure that is broken or faulty.



Caution, risk of electric shock.



Do not stare at the light source when in operation.



The crossed bin symbol on the device or on the packaging means that, at the end of its life, the product will need to be disposed of separately from the rest of residues.

(FR) Drots de garantie

Le fabricant **LEDS-C4, S.A.** garantit au consommateur et à l'utilisateur le fonctionnement correct du produit, ainsi que d'éventuelles réparations ou livraisons de pièces de rechange du modèle en cas de défauts de fabrication, pendant la période de **5 ans*** à compter de la date de livraison. Il ne peut toutefois être tenu responsable des dommages et/ou préjudices occasionnés par une mauvaise utilisation du produit. Pour toute réclamation, il convient de joindre le ticket d'achat à la présente garantie. L'entreprise s'engage à réparer totalement et gratuitement les vices ou défauts détectés sur le produit. De même, si la réparation ne s'avère pas satisfaisante ou que l'objet ne remplit pas les conditions optimales nécessaires pour assurer l'utilisation à laquelle il est destiné, le titulaire de la garantie a droit au remplacement de l'objet acquis par un autre aux caractéristiques identiques, à une réduction de prix ou à la résolution du contrat. ***Consultez les conditions la garantie sur www.leds-c4.com.**

Composition: Finitions: par trempage et/ou peintures époxy et matériaux nobles. Structures : laiton, acier et matériaux de fonte. Autres composants : albâtre, verre, abat-jour en tissu, bois et cuir.

ENTRETIEN: Déconnecter le luminaire du réseau d'alimentation avant de réaliser toute opération d'entretien. Ne pas utiliser d'ampoules d'un autre type ou d'une puissance supérieure à celle indiquée sur l'étiquette du luminaire. Au cours des opérations de nettoyage, pour garantir une meilleure conservation, utiliser un chiffon doux et sec. L'utilisation de produits abrasifs ou de solvants peut détériorer la finition du luminaire.

IMPORTANT: 1- Le raccordement électrique sera effectué par un technicien électricien. La manipulation interne ou externe du luminaire peut compromettre votre sécurité. LEDS-C4, S.A. n'est pas responsable des manipulations réalisées par l'utilisateur. 2- Si le câble ou le cordon du luminaire est endommagé, il devra être remplacé uniquement par le fabricant, le service technique ou quelqu'un de qualifié afin d'éviter tout risque éventuel. 3- Ne pas monter le luminaire sur une surface humide, récemment peinte ou présentant une forte conductivité électrique. 4- Tous les luminaires sans protection particulière contre la poussière ou l'humidité (sans marque IP) sont aptes à une utilisation en intérieur, à l'exception des salles de bains. 5- Utiliser des systèmes de fixation adaptés au poids de l'appareil. 6- Éloigner systématiquement les connexions et les câbles des points de chaleur du luminaire. 7- S'assurer que les conducteurs de l'installation ne sont pas endommagés par les vis de fixation. 8- Le luminaire ne doit en aucun cas être couvert. 9- Les lampes chauffent beaucoup en cours de fonctionnement. Ne les touchez qu'une fois refroidies, au bout de 15 minutes. 10- Ne pas accrocher ou appuyer d'éléments sur les luminaires.

SYMBOLES:



Ne pas recouvrir le luminaire avec du matériau isolant.



Luminaire superficiel non appropriée pour montage sur des surfaces normalement Inflammables.



Luminaire construite non appropriée pour montage sur des surfaces normalement Inflammables.



Tous les luminaires marqués de ce symbole sont de Classe I. Le conducteur de prise de terre est à relier à la borne marquée du symbole correspondant.



Tous les luminaires marqués de ce symbole appartiennent à la catégorie II. Aucune partie métallique d'un luminaire de catégorie II ne doit être raccordée à la terre de l'installation.



Tous les luminaires marqués de ce symbole appartiennent à la catégorie III, ce qui signifie qu'ils fonctionnent à très basse tension. Aucune partie métallique d'un luminaire de catégorie III ne doit être raccordée à la terre de l'installation.



Ce symbole désigne la distance minimale entre l'ampoule d'un luminaire et l'objet à éclairer.



Tous les luminaires marqués de ce symbole, sont uniquement prévus pour utiliser des lampes halogènes en wolfram ou lampes en halogénures métalliques avec écran de protection propre.



Tous les luminaires marqués de ce symbole doivent être équipés de l'écran de protection fourni avec l'appareil. Remplacer tout écran brisé ou défectueux.



Attention, risque de choc électrique.



Ne pas regarder directement la source de lumière en fonctionnement.



La présence, sur l'appareil ou l'emballage, du symbole de la corbeille à papier barrée d'un trait indique qu'en fin de vie le produit est à éliminer séparément des autres déchets.

(DEU) Garantieansprüche

Der Hersteller **LEDS-C4, S.A.** gewährleistet dem Endkunden(Verbraucher) für eine Garantielaufzeit von **5 Jahren*** ab Kaufdatum den einwandfreien Betrieb des Geräts sowie eventuell notwendige Reparaturen oder Ersatzteillieferungen für das Modell als Folge von Mängeln, die aus Herstellungsfehlern resultieren. Der Hersteller übernimmt jedoch keine Verantwortung für Schäden, die auf unsachgemäße Handhabung des Gerätes zurückzuführen sind. Bei einer Reklamation müssen die Garantiekarte und der Kaufbeleg mit eingeschickt werden. Unsere Firma verpflichtet sich zur vollständigen und kostenlosen Reparatur der am Produkt festgestellten Mängeln oder Störungen. Sollte die Reparatur nicht zufriedenstellend ausfallen und das instandgesetzte Modell nicht voll funktionstüchtig sein, hat der Garantieinhaber Anspruch auf Lieferung eines gleichwertigen Ersatzartikels, einen Preisnachlass oder die Vertragsauflösung mit Erstattung des Kaufpreises. ***Konsultieren Sie die Bedingungen der Garantie** auf www.leds-c4.com.

Bestandteile: Oberflächen: Epoxi Galvanisierung und/oder Farben und Edelmetalle. Lampenkörper: Messing, Stahl und Gussmetalle. Andere Bestandteile: Alabaster, Glas, Lampenschirme aus Stoff, Holz und Leder.

WARTUNG: Nehmen Sie vor allen Wartungsarbeiten die Netzsicherung heraus. Verwenden Sie nur Glühbirnen gleichen Typs und beachten Sie die auf dem Typenschild angegebene maximale Lampenleistung. Verwenden Sie bei Reinigungsarbeiten zur größtmöglichen Schonung der Lampe ein weiches, trockenes Tuch. Scheuer- und Lösungsmittel können die Oberfläche der Lampe angreifen.

WICHTIGE HINWEISE: 1- Der elektrische Anschluss sollte von einem Fachmann vorgenommen werden. Eigenmächtige Arbeiten im oder am Lampengehäuse können ein Sicherheitsrisiko darstellen. LEDS-C4, S.A. übernimmt keinerlei Haftung bei unsachgemäßen Eingriffen durch den Benutzer. 2- Falls das Stromzufuhrkabel oder die Stromzufuhrschnur dieser Leuchte beschädigt ist, darf diese aus Sicherheitsgründen nur durch den Hersteller selbst, seinen technischen Reparaturdienst oder einen entsprechend qualifizierten Fachmann ersetzt werden. 3- Die Leuchte darf nicht auf feuchten, kurz zuvor angestrichenen oder elektrisch leitenden Flächen installiert werden. 4- Die Leuchten ohne besonderen Schutz gegen das Eindringen von Staub und Feuchtigkeit (ohne IP Markierung) sind geeignet für den Gebrauch in Innenräumen, ausgenommen dem Badezimmer. 5- Benutzen Sie Befestigungsvorrichtungen, die dem Gewicht des Gerätes entsprechen. 6- Achten Sie darauf, dass die Stromanschlüsse und Leitungen möglichst weit von den Wärme abstrahlenden Stellen der Leuchte entfernt sind. 7- Versichern Sie sich, dass die Stromzufuhrkabel der Anlage nicht von den Befestigungsschrauben beschädigt werden. 8- Die Leuchte darf unter keinen Umständen abgedeckt werden. 9- Die Lampen werden während des Betriebs sehr heiß. Vor dem Anfassen mindestens 15 Minuten warten, bis sie etwas abgekühlt sind. 10- Keine Gegenstände an die Leuchten hängen oder an ihnen abstützen.

SYMBOLER:



Leuchten nicht mit Dämm-Material abdecken.



Oberflächliche Leuchten dürfen nicht auf unter normalen Bedingungen leicht entzündbaren Oberflächen angebracht werden.



Einbauleuchte dürfen nicht auf unter normalen Bedingungen leicht entzündbaren Oberflächen angebracht werden.



Alle mit diesem Symbol gekennzeichneten Leuchten sind der Klasse I. Der Erdungsanschluss muss an die mit dem Erdungssymbol gekennzeichneten Klemme angeschlossen werden.



Alle mit diesem Symbol gekennzeichneten Leuchten gehören der Klasse II an. Metallteile von Leuchten der Klasse II dürfen nicht mit der Erdung der elektrischen Installation in der Wohnung in Berührung kommen.



Alle mit diesem Symbol gekennzeichneten Leuchten sind Niederspannungsleuchten der Klasse III. Metallteile von Leuchten der Klasse III dürfen nicht mit der Erdung der elektrischen Installation in der Wohnung in Berührung kommen.



Dieses Symbol gibt den Mindestabstand zwischen der Lichtquelle und dem zu beleuchtenden Objekt an.



Sämtliche mit diesen Zeichen ausgestatteten Leuchten sind dazu entworfen worden, ausschließlich mit Wolfram-Halogenleuchten oder mit Metaldampf Leuchten mit eigenem Schutzschild bestückt zu werden.



Alle mit diesem Symbol gekennzeichneten Leuchten müssen mit dem beiliegenden Schutzschirm versehen werden. Tauschen Sie in jedem Fall den zerbrochenen oder fehlerhaften Schutz aus.



Vorsicht, Stromschlaggefahr.



Nicht direkt in die Lichtquelle blicken.



Das Symbol des durchgestrichenen Papierkorbs auf dem Gerät oder der Verpackung bedeutet, dass das Produkt am Ende seiner Nutzungsdauer als Sondermüll entsorgt werden muss.

LEDS-C4, S.A.
Spain
groklighting.com