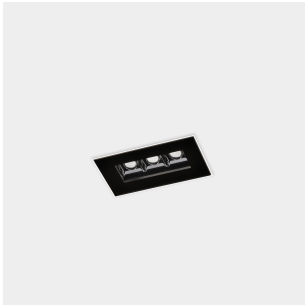


BENTO Downlight recessed



Description

Downlight

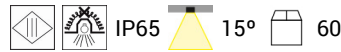
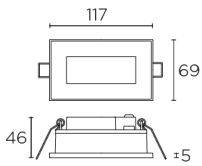
For downlighting. UGR <10. Structure material: Aluminium, Polycarbonate, Glass. Structure finish: Black. Blades finishes: NA. Diffuser material: Glass. Diffuser finish: Transparent, Black. Warranty: 5 Years.

Finish

Black
Transparent
Black
NA

Material

Aluminium
Polycarbonate
Glass
Glass



59x107

0-20

TECHNICAL CHARACTERISTICS

Light source

Light source: LED NICHIA
Output (W): 6.1W
Color temperature: LED warm-white 3000K
CRI: 90
Photobiological risk: RG2
Real Lumen: 444
Qty Leds: 3
Lm/Real W: 74
Life Time: 50.000h L80B20
Bin / Grup: sm303
MacAdam steps: 3
UGR: 9.0

GEAR

This item requires gear. It is not included.

Luminaire

Warranty: 5 Years

Logistics

Energy Efficiency: LED A++
EAN Code: 8435526869862
Net Weight (Kg): 0.320
Weight in Kg (packaged): 0.370
Masterbox: 60

The photograph may not match the reference exactly. Please read the product description to identify the finish.

LEDS C4

Luminaria

Código 90-7217-14-60
Nombre BENTO

Ensayo

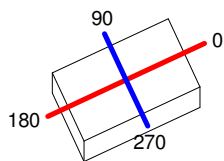
Código 90-7217-14-60
Nombre BENTO

Flujo Luminaria	444.35 lm	Potencia luminaria	7.50 W	Eficacia	59.25 lm/W	Eficiencia	100.00%
Flujo de Lámpara	444.35 lm	Valor Máximo	6227.82 cd/klm	Posición	C=0.00 G=0.00	CG	Bisimétrico
Luminaria Rectangular		Longit.	69 mm	Anchura	117 mm	Altura	47 mm
Área Luminosa Rectangular		Longit.	30 mm	Anchura	75 mm	Altura	0 mm
Área Luminosa Horizontal	0.002250 m2			Área Emisión sobre Pl. 180°		0.000000 m2	
Área Emisión sobre Pl. 0°	0.000000 m2			Área Emisión sobre Pl. 270°		0.000000 m2	
Área Emisión sobre Pl. 90°	0.000000 m2			Área de deslumbramiento a 76°		0.000544 m2	
Sist. de Coorden.	CG			Tipo de Simetría		Bisimétrico	
Fecha	24-10-2018			Máximo Ángulo Gamma		90	
Distancia de Ensayo	0.00			Flujo de Ensayo		488.30 lm	
Operador	qualitat			Tensión de alimentación [V]			
Temperatura	25.00 °C			Corriente de alimentación [A]			
Humedad	60.00 %			Fotocélula			
Notas							

Lámparas de la Luminaria

Familia	Código	Nombre	Flujo [lm]	Pot. [W]	Cant.
	90-7220-14-14	90-7220-14-14	444.35	7.50	1
C.I.E.	98 99 100 100 100				
F UTE	--	D DIN 5040 B NBN	A60 BZ 1		

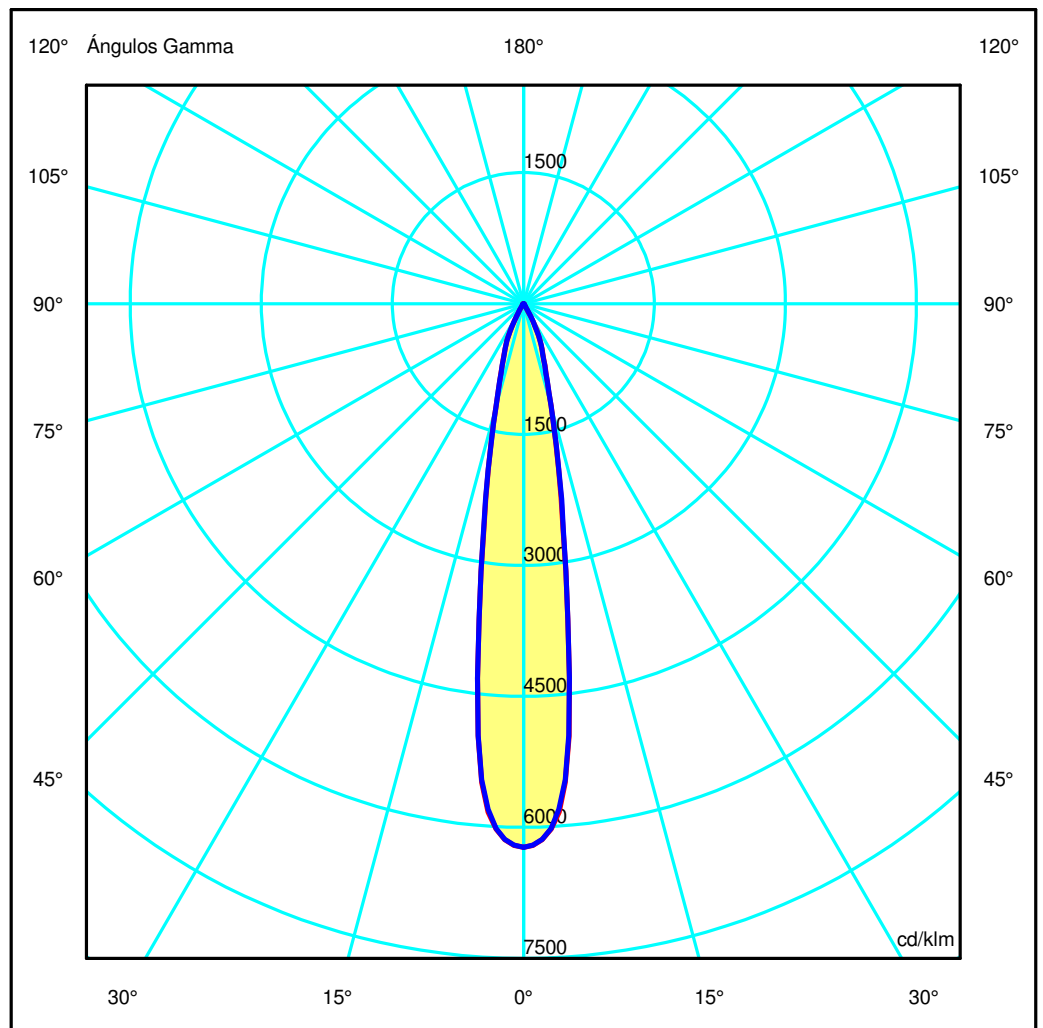
69mm x 117mm



Semiplanos C

180.0 — 0.0
270.0 — 90.0

ULOR 0.00 %
DLOR 100.00 %
RN 0.00 %



Luminaria

Código 90-7217-14-60

Nombre BENTO

Ensayo

Código 90-7217-14-60

Nombre BENTO

Flujo Luminaria	444.35 lm	Potencia luminaria	7.50 W	Eficacia	59.25 lm/W	Eficiencia	100.00%
Flujo de Lámpara	444.35 lm	Valor Máximo	6227.82 cd/klm	Posición	C=0.00 G=0.00	CG	Bisimétrico

Tabla de Intensidad Luminosa cd/klm Tabla 1/2

	C 0.00	C 15.00	C 30.00	C 45.00	C 60.00	C 75.00	C 90.00
G 0.0	6227.82	6227.82	6227.82	6227.82	6227.82	6227.82	6227.82
G 1.0	6207.31	6201.61	6205.87	6205.11	6206.64	6199.26	6204.05
G 2.0	6144.27	6145.81	6143.69	6144.67	6141.30	6139.11	6139.59
G 3.0	6026.95	6020.59	6015.11	6019.56	6017.00	6019.13	6017.82
G 4.0	5840.14	5823.24	5815.72	5817.16	5811.45	5813.94	5805.55
G 5.0	5503.98	5486.53	5478.76	5482.46	5473.34	5479.87	5474.21
G 6.0	4983.15	4985.07	4973.15	4977.42	4968.79	4974.03	4970.62
G 7.0	4323.63	4323.21	4317.39	4316.82	4314.58	4317.04	4319.92
G 8.0	3651.46	3642.32	3643.20	3633.84	3638.62	3633.39	3645.26
G 9.0	3105.58	3096.90	3095.58	3088.70	3095.84	3096.27	3101.14
G 10.0	2614.73	2608.46	2611.33	2609.67	2619.66	2625.66	2632.15
G 11.0	2264.21	2248.81	2260.20	2252.02	2270.09	2276.05	2285.31
G 12.0	1929.11	1925.35	1924.61	1925.15	1934.94	1945.52	1949.84
G 13.0	1650.60	1646.02	1645.13	1645.99	1652.03	1660.17	1663.78
G 14.0	1411.52	1408.34	1408.77	1409.29	1410.97	1413.11	1415.24
G 15.0	1217.95	1218.61	1219.51	1221.26	1219.63	1217.19	1216.59
G 16.0	1061.27	1063.08	1066.43	1066.98	1064.26	1057.86	1056.94
G 17.0	938.57	939.50	942.43	942.22	939.59	932.39	930.71
G 18.0	838.66	838.96	839.73	838.83	835.68	830.16	829.01
G 19.0	755.90	754.81	753.94	751.57	749.12	745.09	744.87
G 20.0	683.40	682.31	680.40	676.27	675.24	671.97	673.03
G 21.0	620.05	620.01	617.00	611.52	612.11	610.09	611.74
G 22.0	568.31	568.12	564.60	558.86	559.85	559.72	561.20
G 23.0	522.83	520.62	516.26	511.25	512.08	514.62	515.26
G 24.0	472.11	469.90	465.84	463.36	463.62	465.39	464.88
G 25.0	412.31	412.44	411.36	409.67	409.51	408.28	408.10
G 26.0	350.62	352.16	352.02	351.90	351.69	348.07	347.75
G 27.0	289.95	292.43	290.86	290.62	290.62	289.47	288.99
G 28.0	227.20	234.44	231.00	228.64	230.53	231.35	233.68
G 29.0	167.11	177.30	175.40	172.85	175.07	178.48	181.73
G 30.0	114.27	122.21	128.06	126.68	128.03	129.77	132.28
G 31.0	74.50	76.54	89.89	89.93	90.28	87.68	87.77
G 32.0	48.20	50.44	61.64	62.82	63.53	57.69	58.83
G 33.0	33.28	35.39	41.61	44.05	41.12	40.22	37.85
G 34.0	27.21	27.50	31.15	31.95	31.97	30.39	31.84
G 35.0	23.73	23.75	24.88	25.85	26.05	26.13	26.10
G 36.0	21.08	20.81	21.54	22.38	22.50	22.68	22.68
G 37.0	18.94	18.51	18.87	19.49	19.62	19.87	19.70
G 38.0	17.30	16.96	17.05	17.47	17.62	17.89	17.85
G 39.0	16.23	15.90	15.92	16.25	16.34	16.60	16.57
G 40.0	15.35	15.02	14.99	15.28	15.36	15.55	15.52
G 41.0	14.47	14.23	14.17	14.44	14.49	14.62	14.57
G 42.0	13.75	13.52	13.44	13.68	13.69	13.78	13.74
G 43.0	13.08	12.88	12.77	12.98	12.94	13.02	12.99
G 44.0	12.48	12.30	12.18	12.34	12.25	12.33	12.30
G 45.0	11.93	11.75	11.63	11.75	11.60	11.69	11.68
G 46.0	11.43	11.25	11.14	11.21	11.02	11.11	11.09
G 47.0	10.97	10.81	10.69	10.71	10.49	10.59	10.57
G 48.0	10.63	10.47	10.35	10.31	10.09	10.16	10.15
G 49.0	10.42	10.29	10.19	10.18	9.82	9.99	9.89
G 50.0	10.02	9.92	9.83	9.75	9.55	9.69	9.65
G 51.0	9.63	9.51	9.38	9.27	9.08	9.29	9.26
G 52.0	9.19	9.05	8.89	8.72	8.57	8.77	8.79
G 53.0	8.78	8.60	8.41	8.20	8.06	8.26	8.28
G 54.0	8.37	8.17	7.97	7.70	7.57	7.75	7.77
G 55.0	7.98	7.78	7.55	7.28	7.15	7.31	7.33
G 56.0	7.63	7.41	7.17	6.89	6.77	6.92	6.95
G 57.0	7.29	7.07	6.80	6.51	6.42	6.57	6.61
G 58.0	6.95	6.73	6.45	6.16	6.07	6.23	6.27
G 59.0	6.61	6.41	6.11	5.83	5.73	5.90	5.95
G 60.0	6.30	6.09	5.78	5.51	5.40	5.59	5.60
G 61.0	5.98	5.77	5.44	5.20	5.09	5.24	5.27
G 62.0	5.68	5.46	5.12	4.90	4.77	4.88	4.92
G 63.0	5.38	5.16	4.81	4.59	4.44	4.54	4.58
G 64.0	5.07	4.86	4.51	4.29	4.11	4.20	4.23
G 65.0	4.79	4.58	4.21	3.99	3.80	3.86	3.89
G 66.0	4.50	4.30	3.92	3.67	3.49	3.52	3.55
G 67.0	4.20	3.99	3.64	3.35	3.18	3.20	3.21
G 68.0	3.87	3.69	3.37	3.04	2.87	2.88	2.90
G 69.0	3.60	3.37	3.08	2.76	2.58	2.59	2.61
G 70.0	3.30	3.04	2.79	2.48	2.30	2.31	2.34
G 71.0	3.01	2.75	2.50	2.20	2.04	2.06	2.09
G 72.0	2.72	2.48	2.21	1.94	1.80	1.82	1.86

Luminaria

Código 90-7217-14-60
Nombre BENTO

Ensayo

Código 90-7217-14-60
Nombre BENTO

Flujo Luminaria	444.35 lm	Potencia luminaria	7.50 W	Eficacia	59.25 lm/W	Eficiencia	100.00%
Flujo de Lámpara	444.35 lm	Valor Máximo	6227.82 cd/klm	Posición	C=0.00 G=0.00	CG	Bisimétrico

Tabla de Intensidad Luminosa cd/klm Tabla 2/2

	C 0.00	C 15.00	C 30.00	C 45.00	C 60.00	C 75.00	C 90.00
G 73.0	2.42	2.20	1.94	1.70	1.58	1.61	1.65
G 74.0	2.12	1.93	1.69	1.48	1.37	1.40	1.44
G 75.0	1.82	1.68	1.46	1.28	1.19	1.21	1.25
G 76.0	1.53	1.43	1.24	1.09	1.02	1.04	1.06
G 77.0	1.26	1.21	1.05	0.92	0.87	0.87	0.89
G 78.0	1.06	1.01	0.89	0.78	0.72	0.73	0.74
G 79.0	0.87	0.84	0.73	0.64	0.60	0.61	0.62
G 80.0	0.68	0.68	0.60	0.52	0.50	0.50	0.52
G 81.0	0.53	0.55	0.48	0.43	0.41	0.41	0.43
G 82.0	0.40	0.44	0.38	0.35	0.33	0.33	0.34
G 83.0	0.31	0.34	0.30	0.28	0.26	0.26	0.26
G 84.0	0.24	0.26	0.23	0.22	0.21	0.20	0.20
G 85.0	0.17	0.19	0.18	0.17	0.16	0.16	0.16
G 86.0	0.13	0.15	0.14	0.14	0.13	0.13	0.13
G 87.0	0.11	0.11	0.11	0.11	0.11	0.11	0.10
G 88.0	0.08	0.08	0.09	0.08	0.08	0.08	0.07
G 89.0	0.06	0.06	0.06	0.06	0.06	0.06	0.05
G 90.0	0.02	0.02	0.02	0.02	0.02	0.02	0.02

LEDS C4[®]

Luminaria

Código 90-7217-14-60
Nombre BENTO

Ensayo

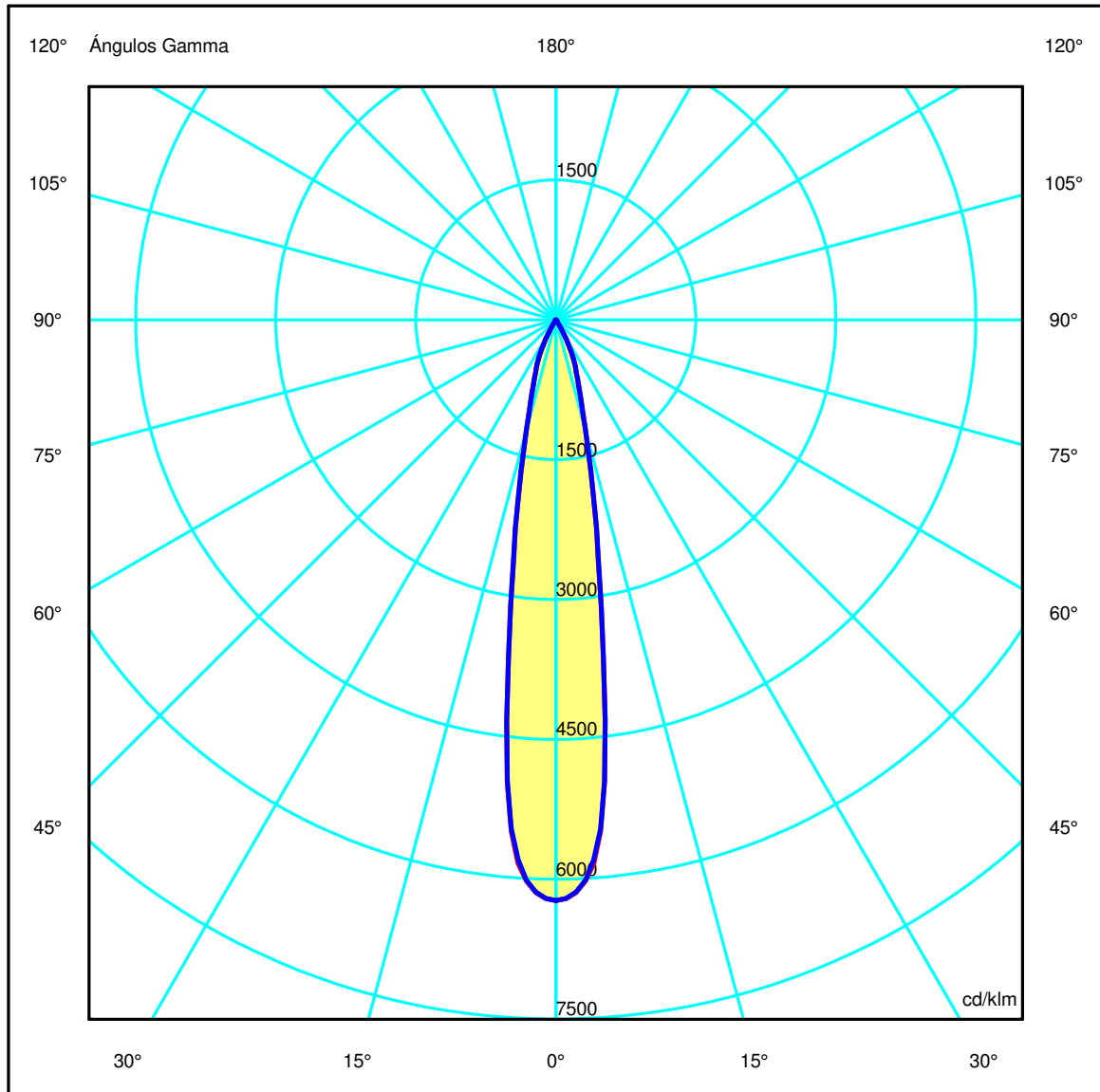
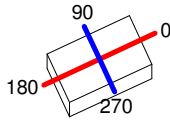
Código 90-7217-14-60
Nombre BENTO

Flujo Luminaria	444.35 lm	Potencia luminaria	7.50 W	Eficacia	59.25 lm/W	Eficiencia	100.00%
Flujo de Lámpara	444.35 lm	Valor Máximo	6227.82 cd/klm	Posición	C=0.00 G=0.00	CG	Bisimétrico

69mm x 117mm

Semiplanos C

180.0 ——— 0.0
270.0 ——— 90.0



LEDS C4[®]

Luminaria

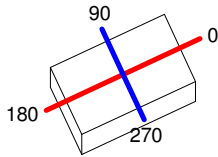
Código 90-7217-14-60
Nombre BENTO

Ensayo

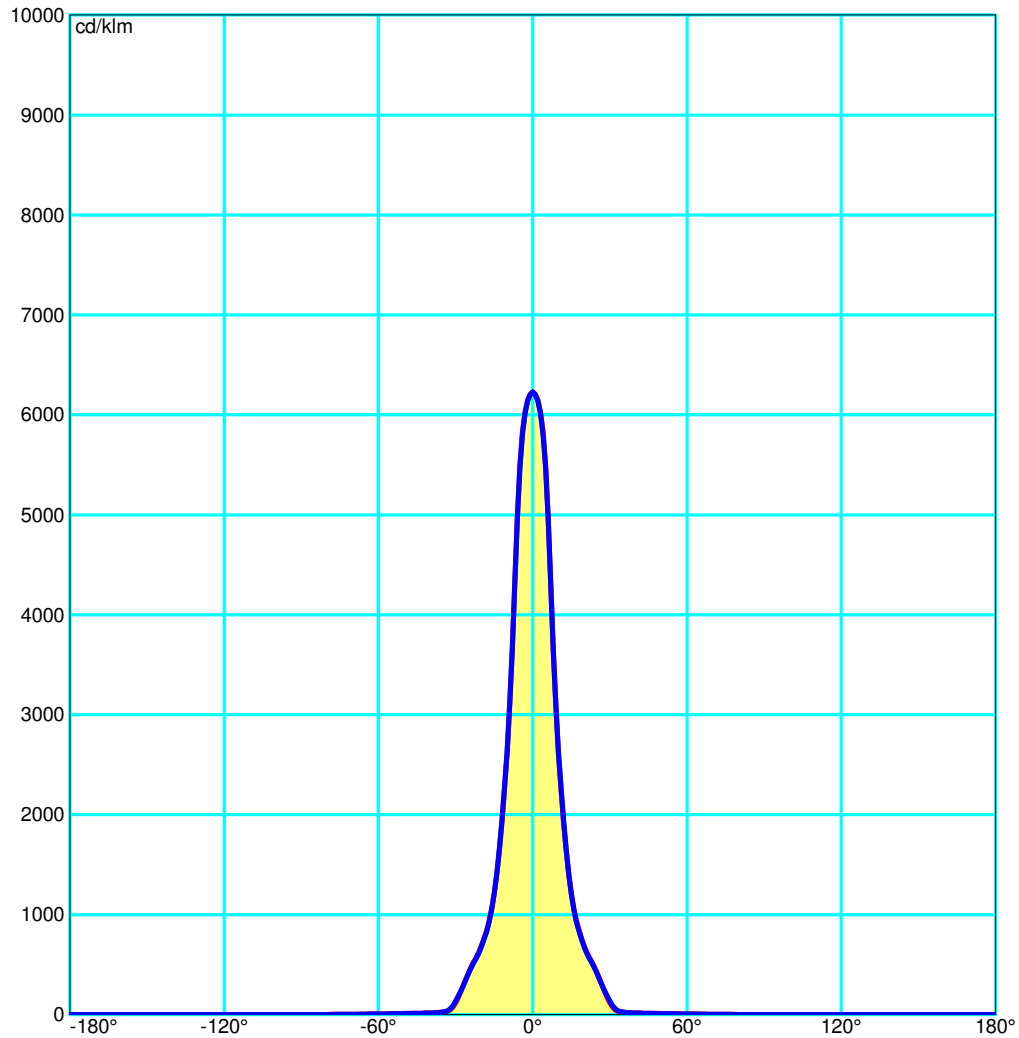
Código 90-7217-14-60
Nombre BENTO

Flujo Luminaria	444.35 lm	Potencia luminaria	7.50 W	Eficacia	59.25 lm/W	Eficiencia	100.00%
Flujo de Lámpara	444.35 lm	Valor Máximo	6227.82 cd/klm	Posición	C=0.00 G=0.00	CG	Bisimétrico

69mm x 117mm



Semiplanos C
180.0 ——— 0.0
270.0 ——— 90.0



Luminaria

Código 90-7217-14-60

Nombre BENTO

Ensayo

Código 90-7217-14-60

Nombre BENTO

Flujo Luminaria	444.35 lm	Potencia luminaria	7.50 W	Eficacia	59.25 lm/W	Eficiencia	100.00%
Flujo de Lámpara	444.35 lm	Valor Máximo	6227.82 cd/klm	Posición	C=0.00 G=0.00	CG	Bisimétrico

UGR
S = 0.250

Reflectancias										
Ceiling/Cavity	0.7	0.7	0.5	0.5	0.3	0.7	0.7	0.5	0.5	0.3
Walls	0.5	0.3	0.5	0.3	0.3	0.5	0.3	0.5	0.3	0.3
WorkingPlane	0.2	0.2	0.2	0.2	0.2	0.2	0.2	0.2	0.2	0.2
RoomDimensions	Viewed Crosswise					Viewed Endwise				
x=2H y=2H	5.9	6.5	6.1	6.7	6.9	5.8	6.4	6.0	6.6	6.8
x=2H y=3H	6.8	7.4	7.1	7.6	7.9	6.4	7.0	6.7	7.2	7.4
x=2H y=4H	7.1	7.6	7.4	7.9	8.1	6.5	7.0	6.8	7.3	7.6
x=2H y=6H	7.2	7.7	7.5	7.9	8.2	6.5	7.0	6.8	7.3	7.6
x=2H y=8H	7.1	7.6	7.5	7.9	8.2	6.5	7.0	6.8	7.3	7.6
x=2H y=12H	7.1	7.6	7.5	7.9	8.2	6.5	6.9	6.8	7.2	7.5
x=4H y=2H	6.2	6.8	6.5	7.0	7.3	6.2	6.7	6.4	7.0	7.2
x=4H y=3H	7.3	7.7	7.6	8.0	8.3	6.8	7.3	7.2	7.6	7.9
x=4H y=4H	7.6	8.0	8.0	8.3	8.7	7.0	7.4	7.4	7.7	8.1
x=4H y=6H	7.7	8.0	8.1	8.4	8.8	7.0	7.4	7.4	7.7	8.1
x=4H y=8H	7.7	8.0	8.1	8.4	8.8	7.0	7.3	7.5	7.7	8.1
x=4H y=12H	7.7	7.9	8.1	8.3	8.8	7.0	7.3	7.4	7.7	8.1
x=8H y=4H	7.6	7.9	8.0	8.3	8.7	7.0	7.3	7.5	7.7	8.1
x=8H y=6H	7.8	8.0	8.2	8.4	8.8	7.1	7.3	7.6	7.8	8.2
x=8H y=8H	7.8	8.0	8.2	8.4	8.9	7.1	7.3	7.6	7.7	8.2
x=8H y=12H	7.8	7.9	8.2	8.4	8.9	7.1	7.2	7.6	7.7	8.2
x=12H y=4H	7.6	7.8	8.0	8.2	8.6	7.0	7.3	7.4	7.7	8.1
x=12H y=6H	7.7	7.9	8.2	8.3	8.8	7.1	7.3	7.5	7.7	8.2
x=12H y=8H	7.7	7.9	8.2	8.3	8.8	7.1	7.2	7.6	7.7	8.2

Luminaria

Código 90-7217-14-60
Nombre BENTO

Ensayo

Código 90-7217-14-60
Nombre BENTO

Flujo Luminaria	444.35 lm	Potencia luminaria	7.50 W	Eficacia	59.25 lm/W	Eficiencia	100.00%
Flujo de Lámpara	444.35 lm	Valor Máximo	6227.82 cd/klm	Posición	C=0.00 G=0.00	CG	Bisimétrico

Flujo Total=444.35 Flujo Luminaria=444.35

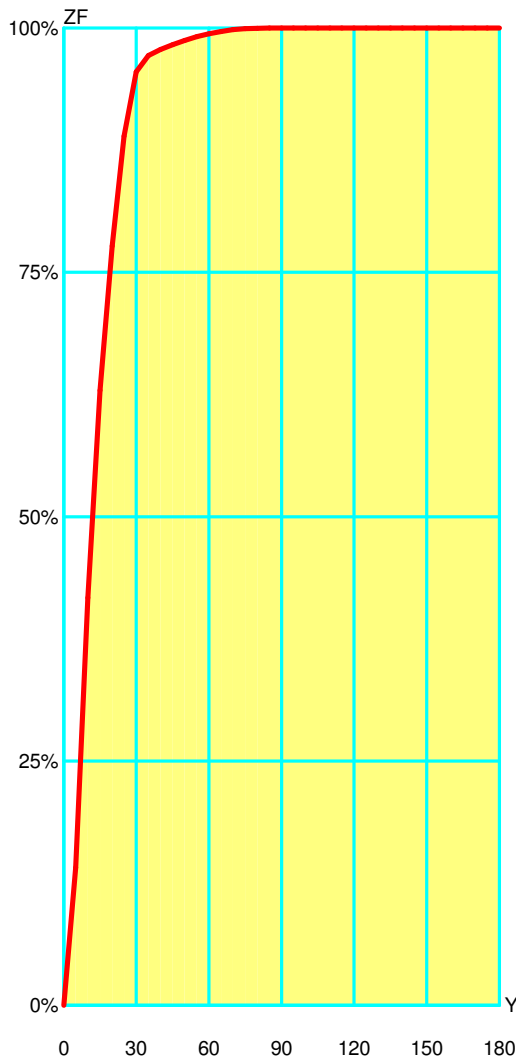
RI	0.60	0.80	1.00	1.25	1.50	2.00	2.50	3.00	4.00	5.00	10.00	20.00
DRR	0.73	0.77	0.82	0.85	0.88	0.92	0.95	0.97	0.99	1.00	1.02	1.02
RC	-	-	-	-	-	-	-	-	-	-	-	-

Flujo Zonal por 1000 Lúmenes

Y°	10	20	30	40	50	60	70	80	90	100	110	120	130	140	150	160	170	180
ZF(Y)	417	777	955	978	987	994	998	1000	1000	1000	1000	1000	1000	1000	1000	1000	1000	1000

Códigos de Flujo C.I.E.
98 99 100 100 100

C.I.E.	-/-/-/-/-/-/-/-/-/-	LOR	100.00000 %
D DIN 5040	A60	ULOR	0.00000 %
F UTE	--	DLOR	100.00000 %
B NBN	BZ 1	UFF	0.00000 %
RN	0.00000 %	DFF	100.00000 %
BLF	1.0	FFR	0.00000 %



Flujo Zonal				
Gamma °	Flujo	Suma lm	Flujo [%]	Suma [%]
0°	0.00	0.00	0.00%	0.00 %
5°	140.98	140.98	14.10 %	14.10 %
10°	275.89	416.88	27.59 %	41.69 %
15°	212.45	629.33	21.24 %	62.93 %
20°	147.61	776.94	14.76 %	77.69 %
25°	112.48	889.42	11.25 %	88.94 %
30°	65.65	955.07	6.57 %	95.51 %
35°	16.77	971.84	1.68 %	97.18 %
40°	6.32	978.16	0.63 %	97.82 %
45°	4.94	983.10	0.49 %	98.31 %
50°	4.28	987.38	0.43 %	98.74 %
55°	3.73	991.11	0.37 %	99.11 %
60°	3.03	994.14	0.30 %	99.41 %
65°	2.39	996.53	0.24 %	99.65 %
70°	1.70	998.23	0.17 %	99.82 %
75°	1.03	999.26	0.10 %	99.93 %
80°	0.50	999.76	0.05 %	99.98 %
85°	0.19	999.95	0.02 %	99.99 %
90°	0.05	1000.00	0.01 %	100.00 %
95°	0.00	1000.00	0.00 %	100.00 %
100°	0.00	1000.00	0.00 %	100.00 %
105°	0.00	1000.00	0.00 %	100.00 %
110°	0.00	1000.00	0.00 %	100.00 %
115°	0.00	1000.00	0.00 %	100.00 %
120°	0.00	1000.00	0.00 %	100.00 %
125°	0.00	1000.00	0.00 %	100.00 %
130°	0.00	1000.00	0.00 %	100.00 %
135°	0.00	1000.00	0.00 %	100.00 %
140°	0.00	1000.00	0.00 %	100.00 %
145°	0.00	1000.00	0.00 %	100.00 %
150°	0.00	1000.00	0.00 %	100.00 %
155°	0.00	1000.00	0.00 %	100.00 %
160°	0.00	1000.00	0.00 %	100.00 %
165°	0.00	1000.00	0.00 %	100.00 %
170°	0.00	1000.00	0.00 %	100.00 %
175°	0.00	1000.00	0.00 %	100.00 %
180°	0.00	1000.00	0.00 %	100.00 %

Luminaria

 Código 90-7217-14-60
 Nombre BENTO

Ensayo

 Código 90-7217-14-60
 Nombre BENTO

Flujo Luminaria	444.35 lm	Potencia luminaria	7.50 W	Eficacia	59.25 lm/W	Eficiencia	100.00%
Flujo de Lámpara	444.35 lm	Valor Máximo	6227.82 cd/klm	Posición	C=0.00 G=0.00	CG	Bisimétrico

Utilización CIE

Montaje	Directo	Normalización										Normalizados										Raz. de Susp. 1/3			CIE Estándar		
Techo																											
K	8873	8773	8871	8771	7773	7771	7753	7553	7751	7551	7731	7331	7711	7111	5551	5531	5331	5511	5111	3331	3311	1111	0000				
0.60	161	145	91	82	138	78	94	80	50	43	31	24	18	12	40	25	22	14	12	21	12	11	0				
0.80	195	179	100	92	170	88	123	108	60	53	40	32	25	19	49	34	30	21	18	29	18	16	0				
1.00	218	203	101	94	193	90	147	132	65	59	47	39	32	25	55	40	37	28	24	35	24	22	0				
1.25	241	227	102	97	216	93	173	157	71	65	54	46	40	32	61	47	43	35	31	41	31	28	0				
1.50	259	246	103	99	234	95	193	178	75	70	59	52	46	38	66	52	49	41	37	47	37	34	0				
2.00	282	271	100	97	259	94	224	210	79	75	67	60	56	49	71	60	57	51	47	55	47	43	0				
2.50	298	288	98	95	275	92	246	233	81	78	72	66	64	57	74	66	63	59	55	61	55	51	0				
3.00	309	301	96	94	287	91	263	251	83	80	76	71	70	63	76	70	68	65	61	65	61	57	0				
4.00	326	319	96	94	305	92	286	276	87	84	82	77	78	72	81	77	75	73	69	72	69	65	0				
5.00	337	331	96	95	317	93	302	293	89	87	86	82	83	78	84	81	79	79	75	77	75	71	0				
10.00	361	358	97	96	343	95	337	332	95	94	95	93	95	92	91	91	90	91	89	88	88	85	0				
20.00	375	373	98	98	358	97	357	354	98	98	100	99	102	100	95	97	96	99	97	94	96	93	0				

Pared

K	8873	8773	8871	8771	7773	7771	7753	7553	7751	7551	7731	7331	7711	7111	5551	5531	5331	5511	5111	3331	3311	1111	0000
0.60	280	271	191	187	267	184	210	204	149	146	125	122	107	105	144	122	121	106	105	120	105	105	82
0.80	313	303	204	200	296	196	241	233	164	160	141	137	123	120	158	137	135	121	120	134	120	118	92
1.00	328	318	201	197	308	193	257	248	165	162	144	140	128	124	158	140	138	125	123	136	123	121	92
1.25	344	334	200	197	322	193	275	265	168	165	150	145	134	130	161	144	142	131	129	140	128	126	93
1.50	355	345	198	195	332	191	288	278	169	166	152	148	138	134	161	146	145	134	132	141	131	128	92
2.00	355	346	178	176	330	171	294	283	156	153	143	138	132	127	147	135	134	126	123	130	121	117	78
2.50	347	340	157	155	321	150	291	281	139	136	129	124	120	115	129	121	119	114	111	114	108	103	62
3.00	335	328	135	133	308	128	283	273	120	117	112	108	105	100	110	104	102	98	95	97	92	86	43
4.00	326	320	113	111	298	106	278	270	101	99	96	92	91	86	91	86	85	83	80	78	75	69	23
5.00	314	310	93	92	286	87	270	262	83	81	79	76	76	72	73	70	69	67	65	61	59	52	5
10.00	242	239	3	2	212	0	205	200	0	0	0	0	0	0	0	0	0	0	0	0	0	0	0
20.00	108	106	0	0	77	0	76	73	0	0	0	0	0	0	0	0	0	0	0	0	0	0	0

P.Trab.

K	8873	8773	8871	8771	7773	7771	7753	7553	7751	7551	7731	7331	7711	7111	5551	5531	5331	5511	5111	3331	3311	1111	0000
0.60	905	896	845	840	890	837	821	815	791	787	760	757	737	735	785	757	756	736	735	755	735	734	726
0.80	968	957	891	886	947	882	879	870	839	834	808	803	784	781	831	803	801	782	780	800	780	779	770
1.00	1000	1000	932	927	999	922	935	924	884	879	856	850	834	829	874	849	848	830	828	845	827	825	817
1.25	1000	1000	963	959	1000	952	981	969	919	914	893	887	872	866	907	885	883	867	864	879	863	859	851
1.50	1000	1000	985	981	1000	974	1000	1000	944	939	920	914	901	894	931	911	909	894	891	904	889	884	877
2.00	1000	1000	1000	1000	1000	1000	1000	1000	985	981	967	960	951	944	971	956	953	942	939	946	935	929	922
2.50	1000	1000	1000	1000	1000	1000	1000	1000	1000	1000	997	991	985	978	996	985	982	974	970	974	965	957	951
3.00	1000	1000	1000	1000	1000	1000	1000	1000	1000	1000	1000	1000	1000	1000	1000	1000	1000	998	994	993	987	978	971
4.00	1000	1000	1000	1000	1000	1000	1000	1000	1000	1000	1000	1000	1000	1000	1000	1000	1000	1000	1000	1000	1000	995	988
5.00	1000	1000	1000	1000	1000	1000	1000	1000	1000	1000	1000	1000	1000	1000	1000	1000	1000	1000	1000	1000	1000	1000	998
10.00	1000	1000	1000	1000	1000	1000	1000	1000	1000	1000	1000	1000	1000	1000	1000	1000	1000	1000	1000	1000	1000	1000	1000
20.00	1000	1000	1000	1000	1000	1000	1000	1000	1000	1000	1000	1000	1000	1000	1000	1000	1000	1000	1000	1000	1000	1000	1000

LM53 SHR C0-C180: 0.308 SHR C90-C270: 0.308 SHR Superficial: 0.330

LEDS C4⁺

Luminaria

Código 90-7217-14-60
Nombre BENTO

Ensayo

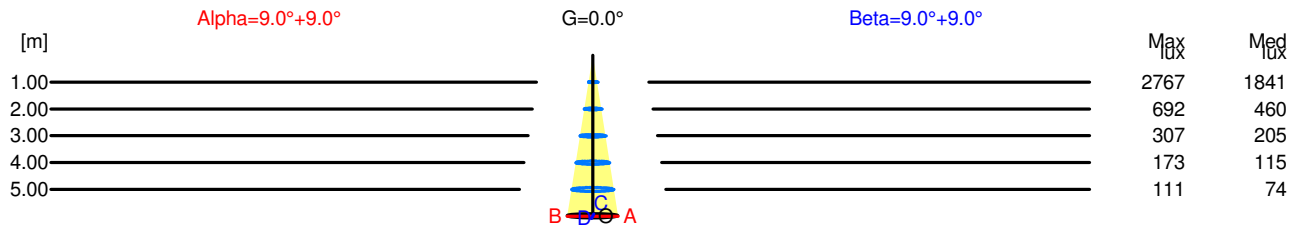
Código 90-7217-14-60
Nombre BENTO

Flujo Luminaria	444.35 lm	Potencia luminaria	7.50 W	Eficacia	59.25 lm/W	Eficiencia	100.00%
Flujo de Lámpara	444.35 lm	Valor Máximo	6227.82 cd/klm	Posición	C=0.00 G=0.00	CG	Bisimétrico

Apertura a 50.00 % de Max Intensidad

H[m]	1.00	2.00	3.00	4.00	5.00	H[m]	1.00	2.00	3.00	4.00	5.00
OA	0.16	0.32	0.47	0.63	0.79	OC	0.16	0.32	0.47	0.63	0.79
OB	0.16	0.32	0.47	0.63	0.79	OD	0.16	0.32	0.47	0.63	0.79

	Intensidades Luminosas [cd/klm]									
	0	5	15	25	35	45	55	65	75	85
OA	2767.35	2445.71	541.20	183.21	10.54	5.30	3.55	2.13	0.81	0.08
OB	2767.35	2445.71	541.20	183.21	10.54	5.30	3.55	2.13	0.81	0.08
OC	2767.35	2432.48	540.60	181.34	11.60	5.19	3.26	1.73	0.56	0.07
OD	2767.35	2432.48	540.60	181.34	11.60	5.19	3.26	1.73	0.56	0.07



H[m]	D[m]	Max lux	Med lux	Alpha=9.0°+9.0°	G=0.0
1.00	0.32	2767	1841		
2.00	0.63	692	460		
3.00	0.95	307	205		
4.00	1.26	173	115		
5.00	1.58	111	74		

H[m]	D[m]	Max lux	Med lux	Beta=9.0°+9.0°	G=0.0
1.00	0.32	2767	1841		
2.00	0.63	692	460		
3.00	0.95	307	205		
4.00	1.26	173	115		
5.00	1.58	111	74		

Luminaria

Código 90-7217-14-60
Nombre BENTO

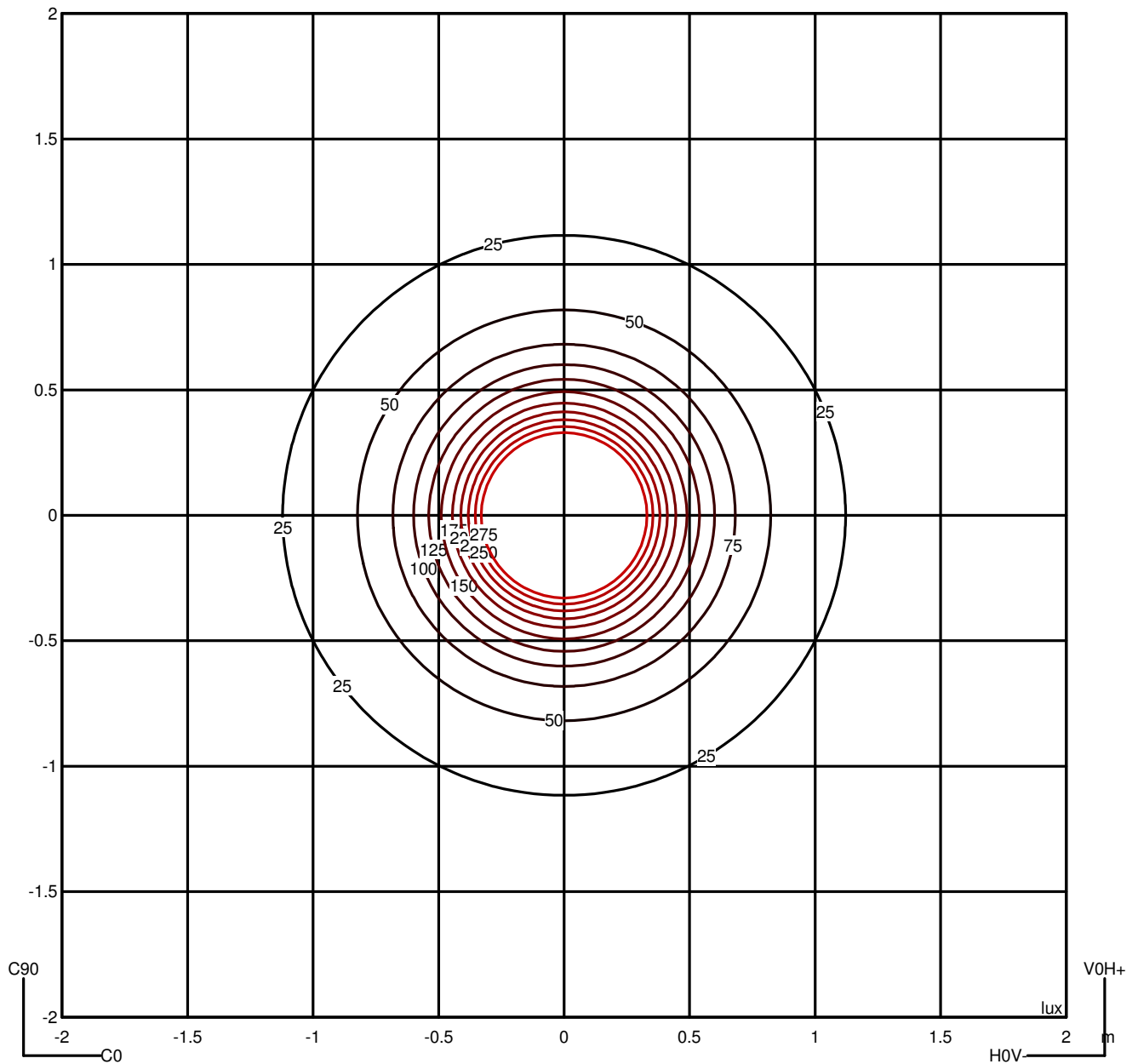
Ensayo

Código 90-7217-14-60
Nombre BENTO

Flujo Luminaria	444.35 lm	Potencia luminaria	7.50 W	Eficacia	59.25 lm/W	Eficiencia	100.00%
Flujo de Lámpara	444.35 lm	Valor Máximo	6227.82 cd/klm	Posición	C=0.00 G=0.00	CG	Bisimétrico

Isolux (Suelo)

Posición Luminaria X=0.00m Y=0.00m Z=2.50m



LEDS C4[®]

Luminaria

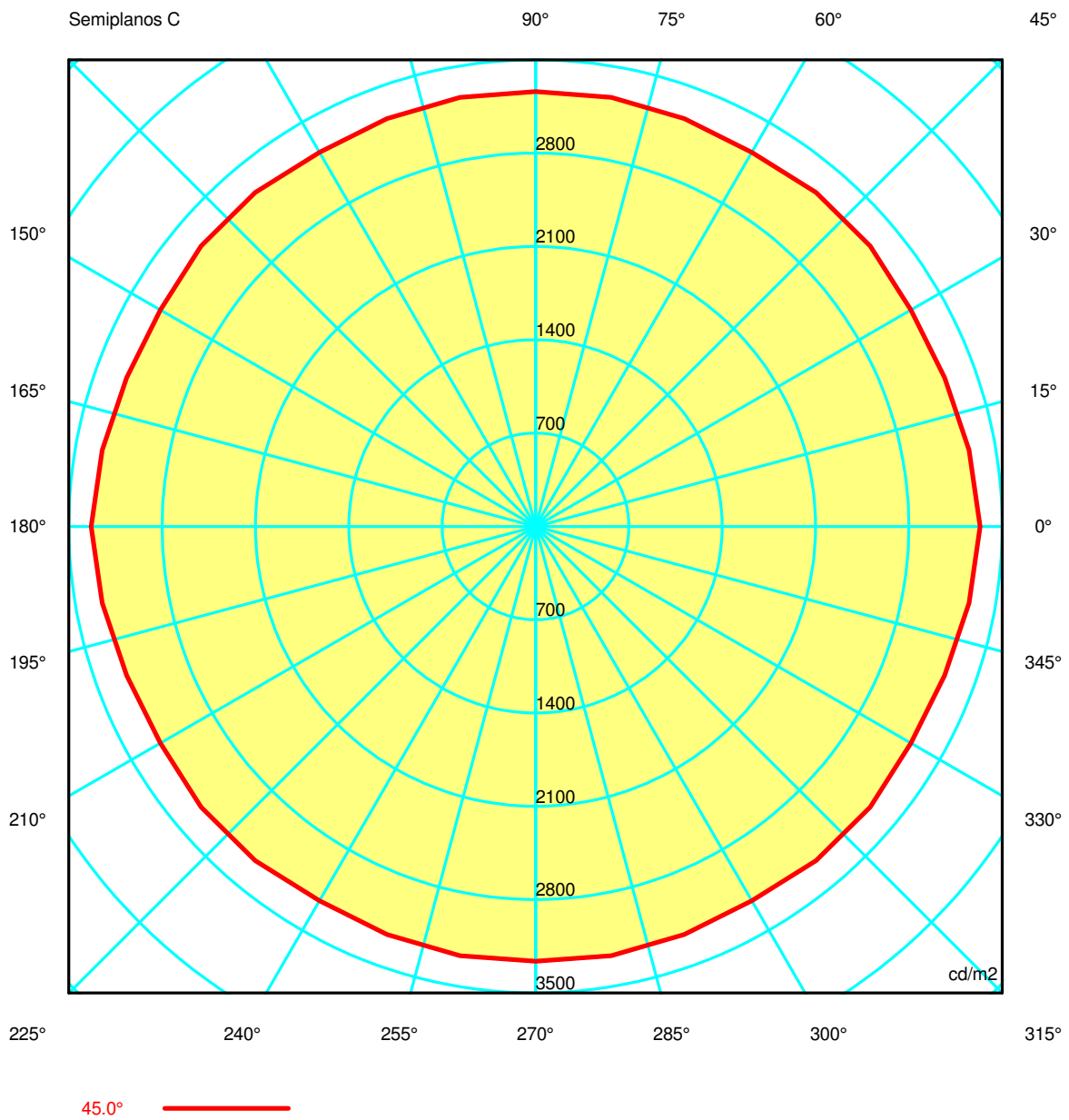
Código 90-7217-14-60
Nombre BENTO

Ensayo

Código 90-7217-14-60
Nombre BENTO

Flujo Luminaria	444.35 lm	Potencia luminaria	7.50 W	Eficacia	59.25 lm/W	Eficiencia	100.00%
Flujo de Lámpara	444.35 lm	Valor Máximo	6227.82 cd/klm	Posición	C=0.00 G=0.00	CG	Bisimétrico

Luminancia



Luminaria

Código 90-7217-14-60

Nombre BENTO

Ensayo

Código 90-7217-14-60

Nombre BENTO

Flujo Luminaria	444.35 lm	Potencia luminaria	7.50 W	Eficacia	59.25 lm/W	Eficiencia	100.00%
Flujo de Lámpara	444.35 lm	Valor Máximo	6227.82 cd/klm	Posición	C=0.00 G=0.00	CG	Bisimétrico

Luminance cd/m2 Tabla 1/3

	C 0.00	C 10.00	C 20.00	C 30.00	C 40.00	C 50.00	C 60.00	C 70.00	C 80.00	C 90.00	C 100.00	C 110.00	C 120.00
G 0.0	1229934.41	1229934.41	1229934.41	1229934.41	1229934.41	1229934.41	1229934.41	1229934.41	1229934.41	1229934.41	1229934.41	1229934.41	1229934.41
G 5.0	1091134.83	1088723.00	1086822.92	1086134.25	1086819.16	1086309.54	1085059.38	1085882.94	1086325.30	1085232.78	1086325.30	1085882.94	1085059.38
G 10.0	524348.78	523287.19	523234.69	523667.62	523307.66	523821.46	525337.71	526222.16	526925.79	527843.57	526925.79	526222.16	525337.71
G 15.0	249017.97	249111.54	249190.51	249337.72	249618.58	249659.99	249362.16	248997.74	248785.06	248741.05	248785.06	248997.74	249362.16
G 20.0	143627.26	143472.09	143317.34	142996.76	142371.02	142031.27	141912.43	141422.15	141190.22	141447.99	141190.22	141422.15	141912.43
G 25.0	89844.76	89883.90	89830.18	89638.48	89362.36	89245.87	89235.85	89058.27	88953.95	88927.08	88953.95	89058.27	89235.85
G 30.0	26057.61	27264.27	28456.35	29201.94	29027.44	28901.62	29196.94	29458.63	29761.54	30165.11	29761.54	29458.63	29196.94
G 35.0	5720.60	5724.44	5795.77	5998.49	6174.94	6261.96	6279.46	6293.81	6299.73	6291.98	6299.73	6293.81	6279.46
G 40.0	3956.64	3894.38	3857.04	3864.85	3916.89	3949.88	3959.86	3994.91	4013.66	3999.87	4013.66	3994.91	3959.86
G 45.0	3332.83	3299.90	3264.54	3248.99	3275.35	3271.82	3240.89	3257.27	3269.60	3262.52	3269.60	3257.27	3240.89
G 50.0	3077.26	3057.90	3037.62	3021.13	3009.69	2971.36	2934.10	2960.52	2981.77	2965.20	2981.77	2960.52	2934.10
G 55.0	2748.20	2703.69	2655.90	2600.65	2537.04	2481.47	2462.33	2496.28	2517.87	2523.02	2517.87	2496.28	2462.33
G 60.0	2488.63	2436.08	2365.41	2281.55	2207.73	2150.23	2133.84	2181.20	2208.60	2213.60	2208.60	2181.20	2133.84
G 65.0	2239.95	2181.48	2082.40	1966.42	1894.91	1828.54	1775.15	1788.06	1812.48	1816.84	1812.48	1788.06	1775.15
G 70.0	1905.15	1805.88	1710.40	1608.13	1486.53	1381.74	1326.23	1325.33	1340.67	1350.38	1340.67	1325.33	1326.23
G 75.0	1386.51	1323.19	1228.82	1112.16	1013.46	941.73	905.50	912.28	935.38	957.54	935.38	912.28	905.50
G 80.0	772.23	784.80	752.32	680.74	618.64	582.64	568.86	565.20	574.43	594.49	574.43	565.20	568.86
G 85.0	394.89	431.23	438.42	418.41	398.34	383.16	371.89	364.02	361.78	361.74	361.78	364.02	371.89
G 90.0	0.00	0.00	0.00	0.00	0.00	0.00	0.00	0.00	0.00	0.00	0.00	0.00	0.00

Luminaria

Código 90-7217-14-60

Nombre BENTO

Ensayo

Código 90-7217-14-60

Nombre BENTO

Flujo Luminaria	444.35 lm	Potencia luminaria	7.50 W	Eficacia	59.25 lm/W	Eficiencia	100.00%
Flujo de Lámpara	444.35 lm	Valor Máximo	6227.82 cd/klm	Posición	C=0.00 G=0.00	CG	Bisimétrico

Luminance cd/m2 Tabla 2/3

	C 130.00	C 140.00	C 150.00	C 160.00	C 170.00	C 180.00	C 190.00	C 200.00	C 210.00	C 220.00	C 230.00	C 240.00	C 250.00
G 0.0	1229934.41	1229934.41	1229934.41	1229934.41	1229934.41	1229934.41	1229934.41	1229934.41	1229934.41	1229934.41	1229934.41	1229934.41	1229934.41
G 5.0	1086309.54	1086819.16	1086134.25	1086822.92	1088723.00	1091134.83	1088723.00	1086822.92	1086134.25	1086819.16	1086309.54	1085059.38	1085882.94
G 10.0	523821.46	523307.66	523667.62	523234.69	523287.19	524348.78	523287.19	523234.69	523667.62	523307.66	523821.46	525337.71	526222.16
G 15.0	249659.99	249618.58	249337.72	249190.51	249111.54	249017.97	249111.54	249190.51	249337.72	249618.58	249659.99	249362.16	248997.74
G 20.0	142031.27	142371.02	142996.76	143317.34	143472.09	143627.26	143472.09	143317.34	142996.76	142371.02	142031.27	141912.43	141422.15
G 25.0	89245.87	89362.36	89638.48	89830.18	89883.90	89844.76	89883.90	89830.18	89638.48	89362.36	89245.87	89235.85	89058.27
G 30.0	28901.62	29027.44	29201.94	28456.35	27264.27	26057.61	27264.27	28456.35	29201.94	29027.44	28901.62	29196.94	29458.63
G 35.0	6261.96	6174.94	5998.49	5795.77	5724.44	5720.60	5724.44	5795.77	5998.49	6174.94	6261.96	6279.46	6293.81
G 40.0	3949.88	3916.89	3864.85	3857.04	3894.38	3956.64	3894.38	3857.04	3864.85	3916.89	3949.88	3959.86	3994.91
G 45.0	3271.82	3275.35	3248.99	3264.54	3299.90	3332.83	3299.90	3264.54	3248.99	3275.35	3271.82	3240.89	3257.27
G 50.0	2971.36	3009.69	3021.13	3037.62	3057.90	3077.26	3057.90	3037.62	3021.13	3009.69	2971.36	2934.10	2960.52
G 55.0	2481.47	2537.04	2600.65	2655.90	2703.69	2748.20	2703.69	2655.90	2600.65	2537.04	2481.47	2462.33	2496.28
G 60.0	2150.23	2207.73	2281.55	2365.41	2436.08	2488.63	2436.08	2365.41	2281.55	2207.73	2150.23	2133.84	2181.20
G 65.0	1828.54	1894.91	1966.42	2082.40	2181.48	2239.95	2181.48	2082.40	1966.42	1894.91	1828.54	1775.15	1788.06
G 70.0	1381.74	1486.53	1608.13	1710.40	1805.88	1905.15	1805.88	1710.40	1608.13	1486.53	1381.74	1326.23	1325.33
G 75.0	941.73	1013.46	1112.16	1228.82	1323.19	1386.51	1323.19	1228.82	1112.16	1013.46	941.73	905.50	912.28
G 80.0	582.64	618.64	680.74	752.32	784.80	772.23	784.80	752.32	680.74	618.64	582.64	568.86	565.20
G 85.0	383.16	398.34	418.41	438.42	431.23	394.89	431.23	438.42	418.41	398.34	383.16	371.89	364.02
G 90.0	0.00	0.00	0.00	0.00	0.00	0.00	0.00	0.00	0.00	0.00	0.00	0.00	0.00

Luminaria

Código 90-7217-14-60

Nombre BENTO

Ensayo

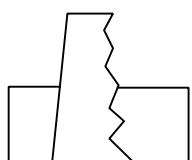
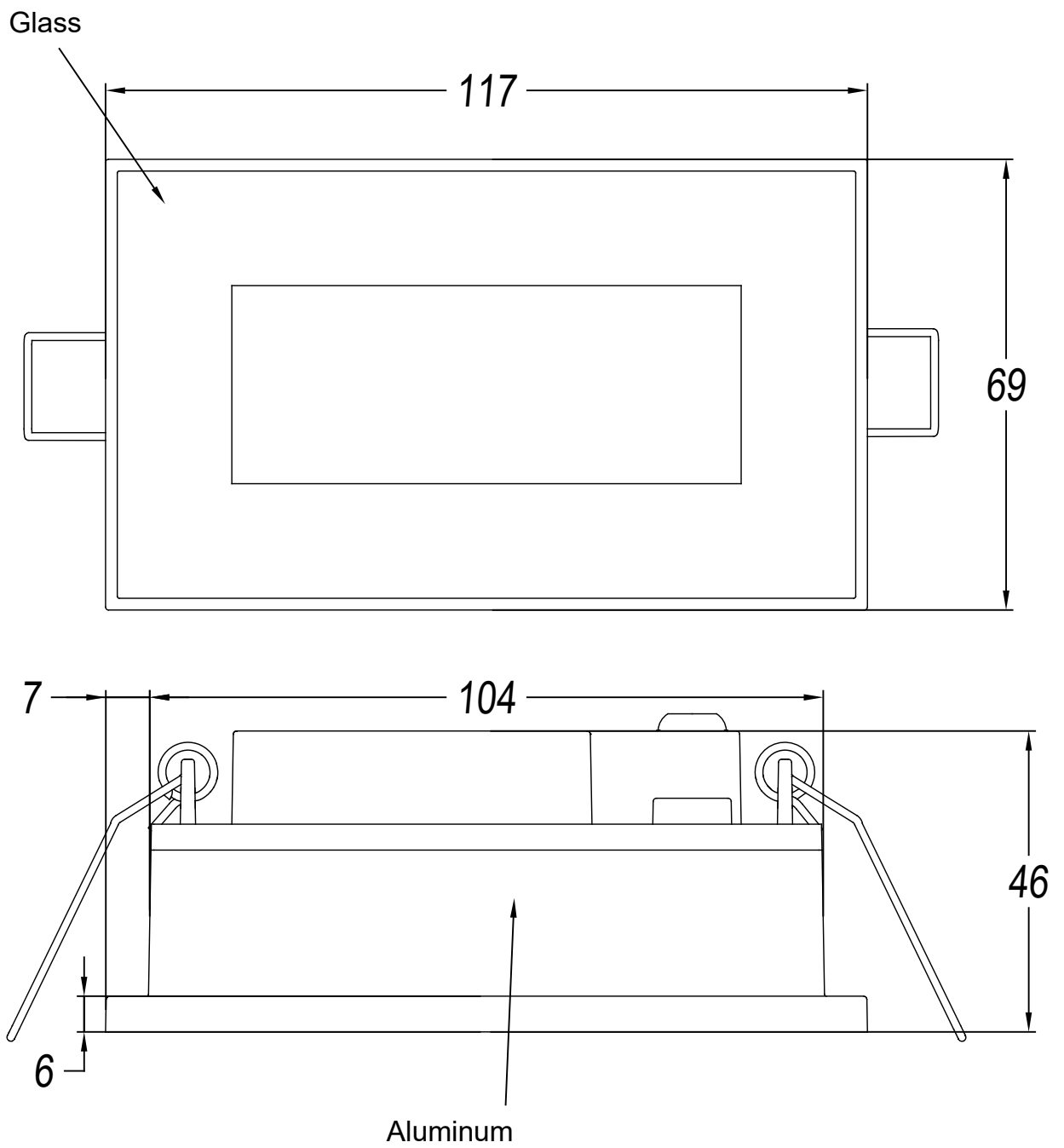
Código 90-7217-14-60

Nombre BENTO

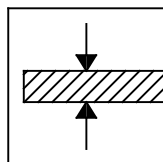
Flujo Luminaria	444.35 lm	Potencia luminaria	7.50 W	Eficacia	59.25 lm/W	Eficiencia	100.00%
Flujo de Lámpara	444.35 lm	Valor Máximo	6227.82 cd/klm	Posición	C=0.00 G=0.00	CG	Bisimétrico

Luminance cd/m2 Tabla 3/3

	C 260.00	C 270.00	C 280.00	C 290.00	C 300.00	C 310.00	C 320.00	C 330.00	C 340.00	C 350.00
G 0.0	1229934.41	1229934.41	1229934.41	1229934.41	1229934.41	1229934.41	1229934.41	1229934.41	1229934.41	1229934.41
G 5.0	1086325.30	1085232.78	1086325.30	1085882.94	1085059.38	1086309.54	1086819.16	1086134.25	1086822.92	1088723.00
G 10.0	526925.79	527843.57	526925.79	526222.16	525337.71	523821.46	523307.66	523667.62	523234.69	523287.19
G 15.0	248785.06	248741.05	248785.06	248997.74	249362.16	249659.99	249618.58	249337.72	249190.51	249111.54
G 20.0	141190.22	141447.99	141190.22	141422.15	141912.43	142031.27	142371.02	142996.76	143317.34	143472.09
G 25.0	88953.95	88927.08	88953.95	89058.27	89235.85	89245.87	89362.36	89638.48	89830.18	89883.90
G 30.0	29761.54	30165.11	29761.54	29458.63	29196.94	28901.62	29027.44	29201.94	28456.35	27264.27
G 35.0	6299.73	6291.98	6299.73	6293.81	6279.46	6261.96	6174.94	5998.49	5795.77	5724.44
G 40.0	4013.66	3999.87	4013.66	3994.91	3959.86	3949.88	3916.89	3864.85	3857.04	3894.38
G 45.0	3269.60	3262.52	3269.60	3257.27	3240.89	3271.82	3275.35	3248.99	3264.54	3299.90
G 50.0	2981.77	2965.20	2981.77	2960.52	2934.10	2971.36	3009.69	3021.13	3037.62	3057.90
G 55.0	2517.87	2523.02	2517.87	2496.28	2462.33	2481.47	2537.04	2600.65	2655.90	2703.69
G 60.0	2208.60	2213.60	2208.60	2181.20	2133.84	2150.23	2207.73	2281.55	2365.41	2436.08
G 65.0	1812.48	1816.84	1812.48	1788.06	1775.15	1828.54	1894.91	1966.42	2082.40	2181.48
G 70.0	1340.67	1350.38	1340.67	1325.33	1326.23	1381.74	1486.53	1608.13	1710.40	1805.88
G 75.0	935.38	957.54	935.38	912.28	905.50	941.73	1013.46	1112.16	1228.82	1323.19
G 80.0	574.43	594.49	574.43	565.20	568.86	582.64	618.64	680.74	752.32	784.80
G 85.0	361.78	361.74	361.78	364.02	371.89	383.16	398.34	418.41	438.42	431.23
G 90.0	0.00	0.00	0.00	0.00	0.00	0.00	0.00	0.00	0.00	0.00

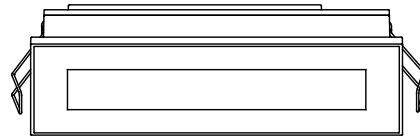
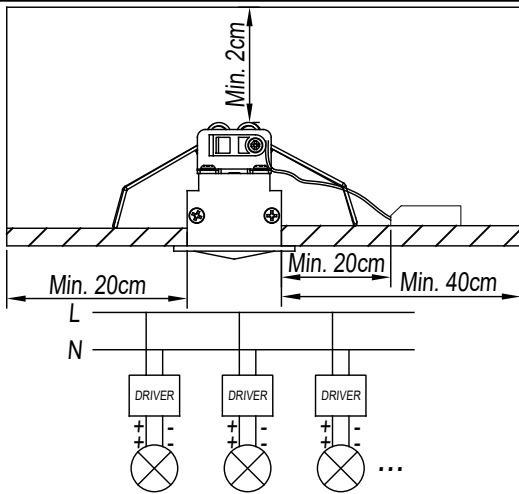


59x107

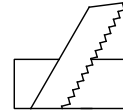


0-20mm

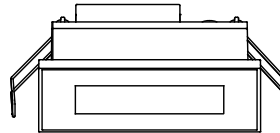
TRIM VERSION



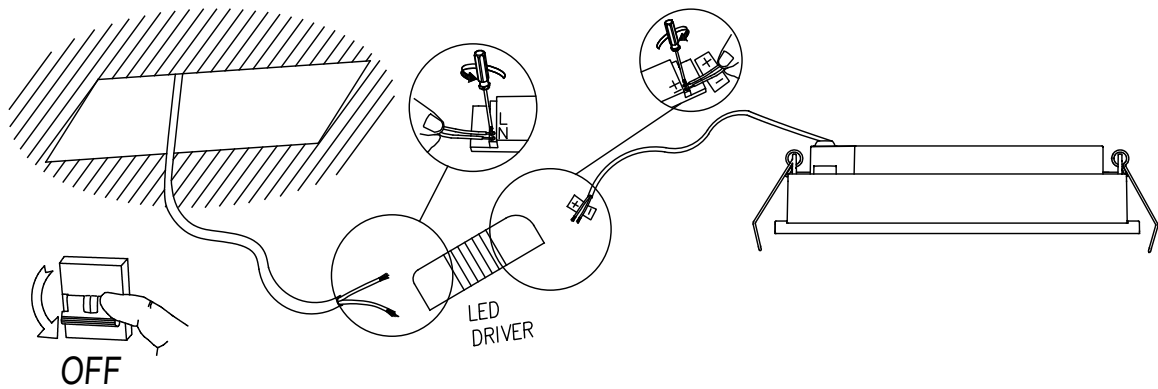
6LEDS: 59x187mm



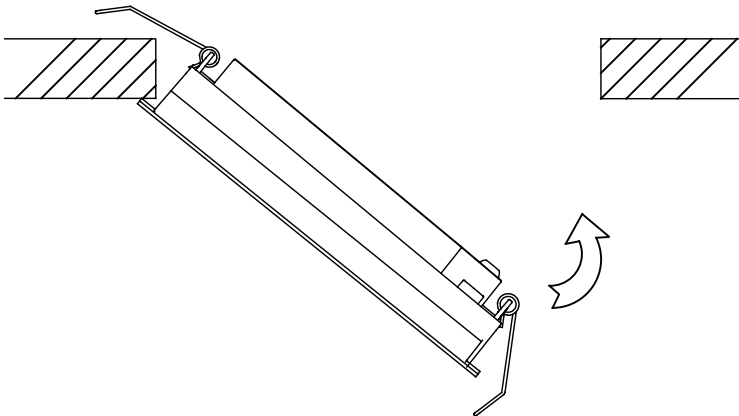
3LEDS: 59x107mm



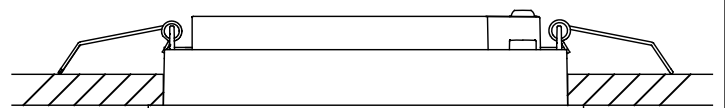
1



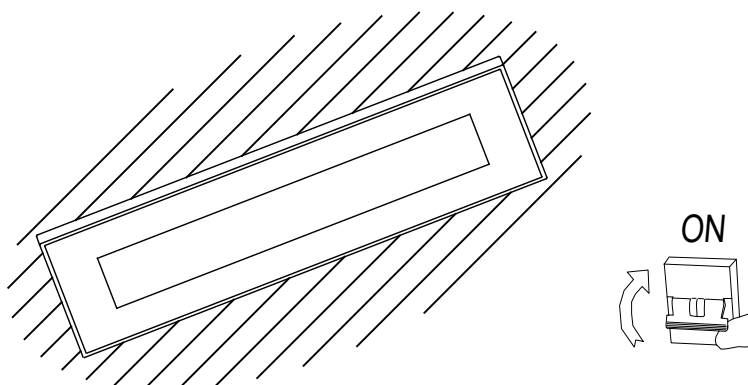
2



3

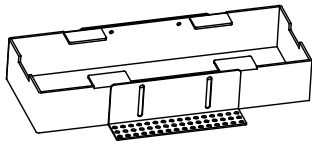


4

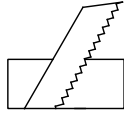


The light source of this luminaire is not replaceable; when the light source reaches its end of life the whole luminaire shall be replaced.

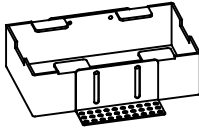
TRIMLESS VERSION



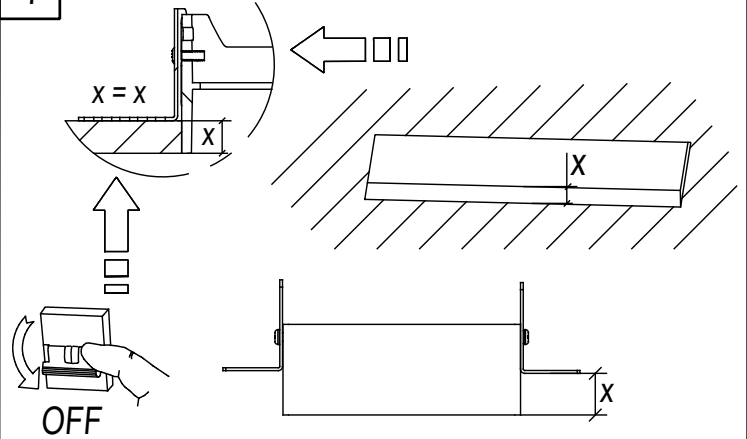
6LEDS: 74x202mm



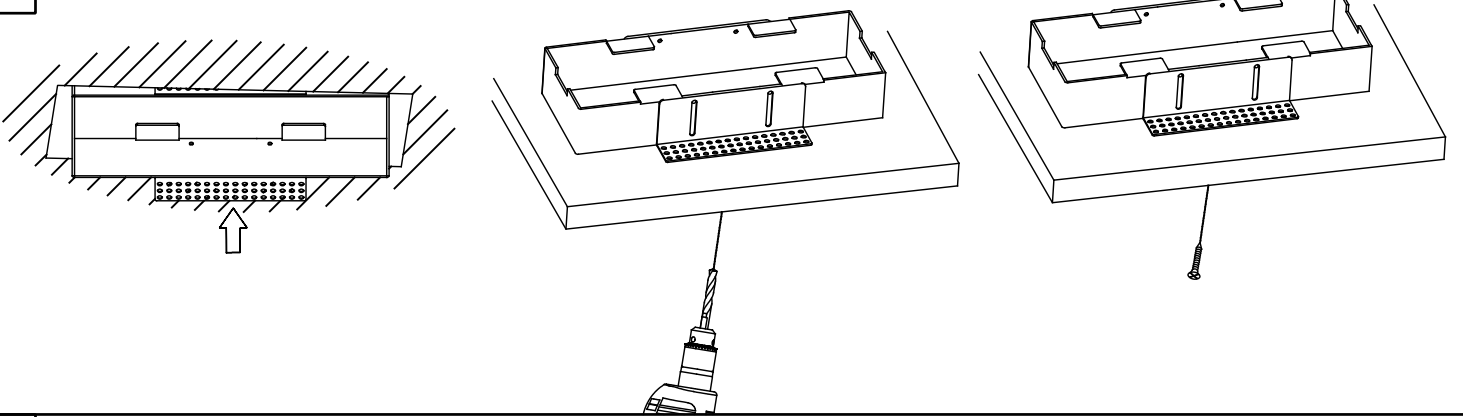
3LEDS: 74x122mm



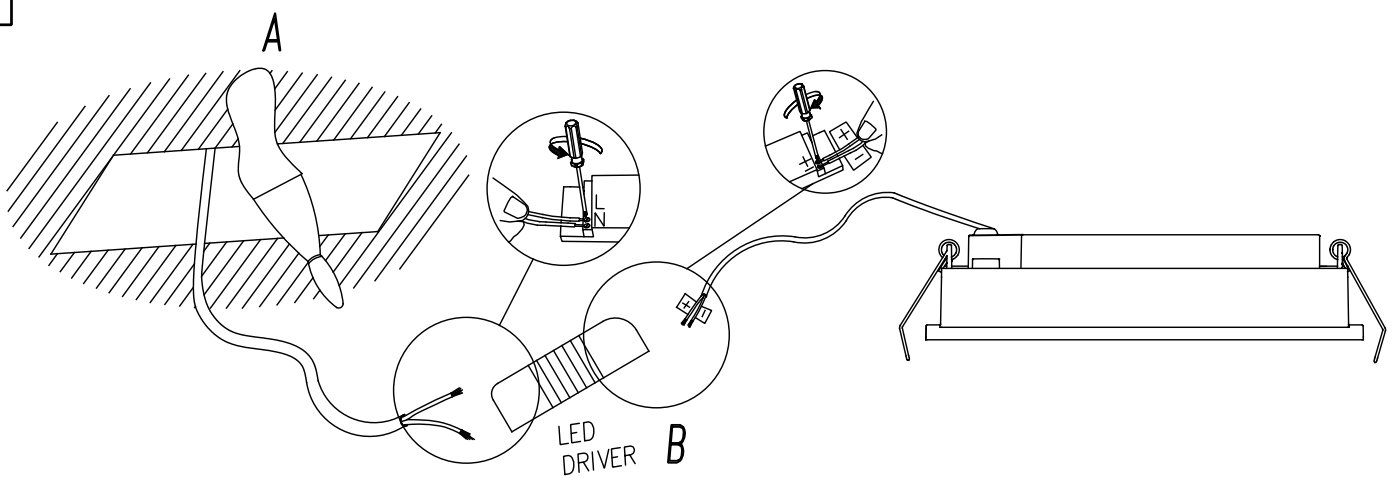
1



1



3



4

