

BENTO Downlight recessed

Designer: Leds C4



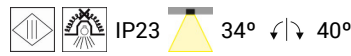
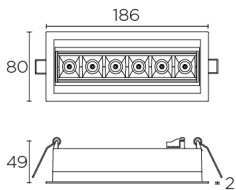
Description

Downlight

For downlighting. UGR <10. Adjustable light source. Structure material: Aluminium. Structure finish: White. Blades material: . Blades finishes: NA. Warranty: 5 Years.

Finish
White
NA

Material
Aluminium



⌀ 175*70

⚡ 0-20

TECHNICAL CHARACTERISTICS

Light source

Light source: LED NICHIA
Output (W): 12.2W
Color temperature: LED neutral-white 4000K
CRI: 90
Photobiological risk: RG2
Real Lumen: 927
Qty Leds: 6
Lm/Real W: 77
Life Time: 50.000h L80B20
Bin / Grup: sm403
MacAdam steps: 3
UGR: 8.0

GEAR

This item requires gear. It is not included.

Luminaire

Warranty: 5 Years

Logistics

Energy Efficiency: LED A++
EAN Code: 8435526869800
Net Weight (Kg): 0.000

The photograph may not match the reference exactly. Please read the product description to identify the finish.

Luminaria

Código 90-7194-14-60
Nombre BENTO

Ensayo

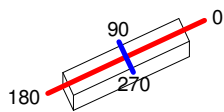
Código 90-7194-14-60
Nombre BENTO

Flujo Luminaria	926.94 lm	Potencia luminaria	14.70 W	Eficacia	63.06 lm/W	Eficiencia	100.00%
Flujo de Lámpara	926.94 lm	Valor Máximo	2572.41 cd/klm	Posición	C=0.00 G=0.00	CG	Bisimétrico
Luminaria Rectangular		Longit.	36 mm	Anchura	185 mm	Altura	82 mm
Área Luminosa Rectangular		Longit.	30 mm	Anchura	160 mm	Altura	0 mm
Área Luminosa Horizontal			0.004800 m2	Área Emisión sobre Pl. 180°			0.000000 m2
Área Emisión sobre Pl. 0°			0.000000 m2	Área Emisión sobre Pl. 270°			0.000000 m2
Área Emisión sobre Pl. 90°			0.000000 m2	Área de deslumbramiento a 76°			0.001161 m2
Sist. de Coorden.		CG		Tipo de Simetría		Bisimétrico	
Fecha		31-10-2018		Máximo Ángulo Gamma		90	
Distancia de Ensayo		0.00		Flujo de Ensayo		926.94 lm	
Operador		qualitat		Tensión de alimentación [V]			
Temperatura		25.00 °C		Corriente de alimentación [A]			
Humedad		60.00 %		Fotocélula			
Notas							

Lámparas de la Luminaria

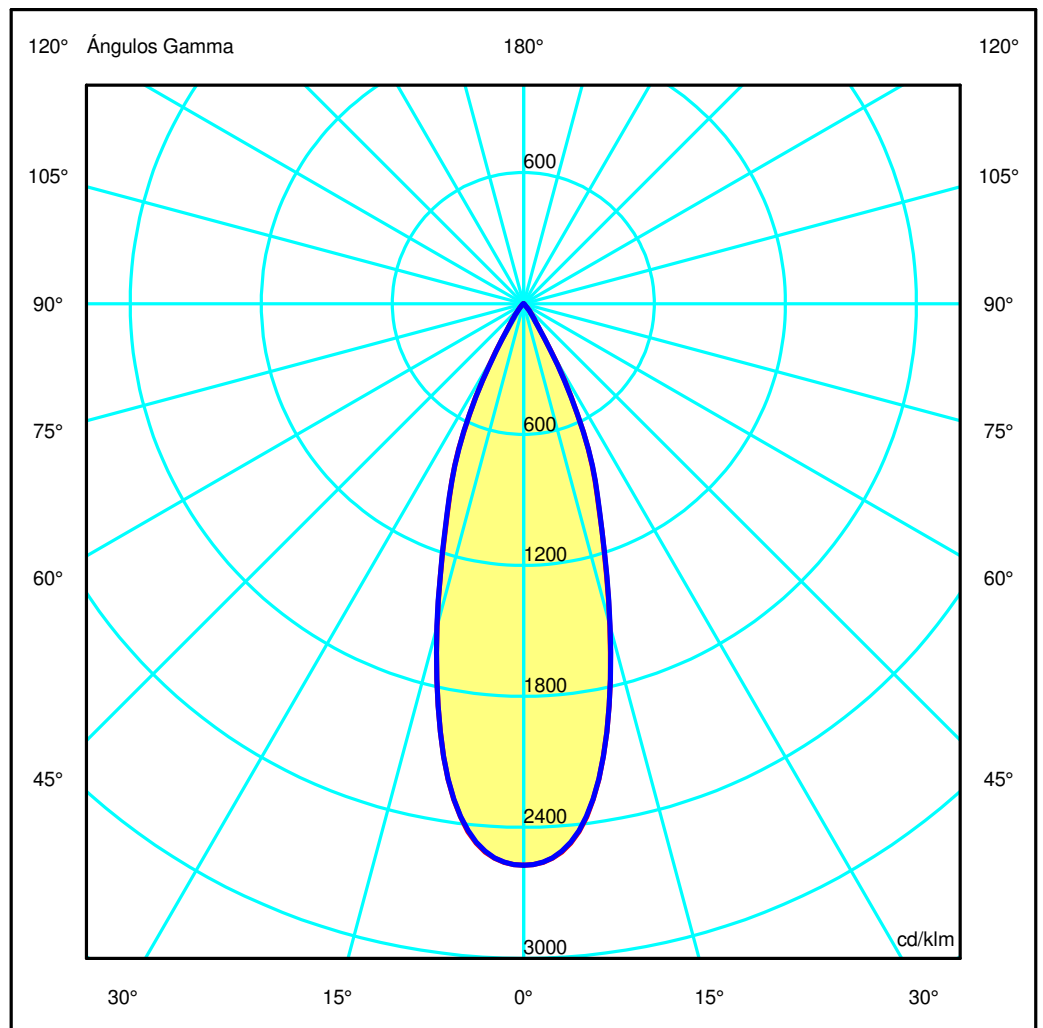
Familia	Código	Nombre	Flujo [lm]	Pot. [W]	Cant.
	15-7194-60-MS	15-7194-60-MS	926.94	14.70	1
C.I.E.	99 100 100 100 100	D DIN 5040	A60		
F UTE	--	B NBN	BZ 1		

36mm x 185mm



Semiplanos C
180.0 — 0.0
270.0 — 90.0

ULOR 0.00 %
DLOR 100.00 %
RN 0.00 %



Luminaria

Código 90-7194-14-60

Nombre BENTO

Ensayo

Código 90-7194-14-60

Nombre BENTO

Flujo Luminaria	926.94 lm	Potencia luminaria	14.70 W	Eficacia	63.06 lm/W	Eficiencia	100.00%
Flujo de Lámpara	926.94 lm	Valor Máximo	2572.41 cd/klm	Posición	C=0.00 G=0.00	CG	Bisimétrico

Tabla de Intensidad Luminosa cd/klm Tabla 1/2

	C 0.00	C 15.00	C 30.00	C 45.00	C 60.00	C 75.00	C 90.00
G 0.0	2572.41	2572.41	2572.41	2572.41	2572.41	2572.41	2572.41
G 1.0	2570.35	2569.73	2569.66	2570.48	2570.43	2570.64	2570.94
G 2.0	2561.27	2560.71	2560.43	2560.42	2560.13	2559.52	2560.24
G 3.0	2544.80	2544.01	2543.51	2542.51	2542.03	2541.24	2542.37
G 4.0	2518.92	2517.60	2516.80	2515.55	2515.03	2513.59	2514.92
G 5.0	2481.53	2480.23	2479.03	2477.31	2477.13	2474.93	2476.35
G 6.0	2432.03	2431.24	2429.62	2427.68	2427.39	2426.02	2427.54
G 7.0	2369.57	2368.27	2366.41	2364.51	2364.82	2364.64	2365.88
G 8.0	2294.84	2293.50	2291.83	2289.60	2290.34	2290.49	2292.07
G 9.0	2206.50	2205.72	2203.89	2202.73	2202.76	2203.55	2204.61
G 10.0	2106.40	2105.19	2104.21	2104.30	2104.74	2105.43	2106.20
G 11.0	1998.02	1997.49	1996.87	1996.79	1997.65	1998.13	1998.70
G 12.0	1883.76	1883.54	1882.97	1882.47	1883.02	1883.50	1883.65
G 13.0	1766.23	1766.02	1766.04	1765.42	1766.40	1766.62	1766.74
G 14.0	1646.60	1646.27	1647.10	1646.22	1647.82	1647.54	1648.98
G 15.0	1527.73	1529.04	1528.75	1529.59	1530.08	1531.27	1531.84
G 16.0	1412.25	1412.47	1413.29	1413.41	1414.67	1415.05	1416.19
G 17.0	1303.31	1304.01	1302.99	1303.96	1304.04	1305.51	1304.55
G 18.0	1199.83	1199.47	1199.48	1198.19	1202.13	1198.44	1202.95
G 19.0	1104.15	1104.30	1103.59	1103.59	1105.81	1105.17	1105.29
G 20.0	1019.24	1019.18	1018.44	1018.21	1020.54	1021.25	1022.21
G 21.0	942.83	942.72	942.64	942.63	944.71	945.28	946.00
G 22.0	873.98	872.48	872.30	872.26	874.47	875.99	876.76
G 23.0	805.60	804.74	803.12	803.05	803.91	806.13	807.15
G 24.0	730.04	731.35	730.89	731.61	730.56	729.97	728.63
G 25.0	648.96	649.82	651.50	652.14	649.71	646.87	646.13
G 26.0	564.89	566.20	567.25	567.30	565.66	563.84	563.92
G 27.0	482.12	482.63	481.70	479.95	479.05	479.02	479.41
G 28.0	403.15	401.38	398.71	394.66	395.49	396.64	398.17
G 29.0	326.34	324.90	321.91	318.11	318.84	319.27	320.53
G 30.0	256.31	253.56	256.68	251.08	252.02	247.48	248.26
G 31.0	191.65	196.34	196.71	196.56	193.72	193.64	188.83
G 32.0	145.33	150.75	151.51	152.24	149.17	142.24	143.15
G 33.0	117.13	116.67	121.43	119.20	121.20	112.67	117.38
G 34.0	99.28	98.73	99.72	98.53	96.48	93.24	93.37
G 35.0	85.89	85.88	85.67	83.92	81.65	79.37	79.32
G 36.0	74.40	74.40	73.93	72.21	69.93	68.06	67.81
G 37.0	63.32	63.38	62.71	61.55	59.58	57.93	57.17
G 38.0	52.11	52.82	52.30	51.11	49.55	48.17	47.45
G 39.0	42.15	42.79	42.80	41.71	40.87	39.33	39.55
G 40.0	34.11	34.24	34.12	33.16	32.73	31.45	31.43
G 41.0	25.18	26.40	26.63	26.04	25.35	24.62	24.53
G 42.0	18.80	19.76	20.19	19.63	19.18	18.64	18.47
G 43.0	13.60	13.84	14.79	14.35	13.88	13.20	13.28
G 44.0	8.66	9.55	10.51	9.88	9.93	8.88	9.31
G 45.0	6.24	6.47	7.31	6.75	6.65	5.93	6.03
G 46.0	4.54	4.79	5.14	4.89	4.68	4.26	4.22
G 47.0	3.61	3.73	4.06	3.81	3.57	3.22	3.21
G 48.0	3.11	3.12	3.31	3.16	3.01	2.65	2.56
G 49.0	2.76	2.75	2.88	2.77	2.57	2.28	2.20
G 50.0	2.41	2.45	2.57	2.49	2.30	1.99	1.91
G 51.0	2.12	2.18	2.32	2.27	2.07	1.75	1.67
G 52.0	1.90	1.92	2.09	2.06	1.85	1.52	1.43
G 53.0	1.70	1.70	1.88	1.88	1.64	1.31	1.24
G 54.0	1.46	1.51	1.67	1.70	1.45	1.14	1.07
G 55.0	1.22	1.29	1.47	1.53	1.26	0.98	0.90
G 56.0	1.07	1.10	1.30	1.38	1.10	0.82	0.76
G 57.0	0.94	0.96	1.15	1.22	0.95	0.70	0.64
G 58.0	0.76	0.83	0.99	1.08	0.82	0.59	0.53
G 59.0	0.57	0.66	0.85	0.94	0.69	0.48	0.41
G 60.0	0.46	0.53	0.74	0.81	0.58	0.39	0.33
G 61.0	0.38	0.42	0.63	0.68	0.49	0.30	0.26
G 62.0	0.29	0.34	0.51	0.56	0.40	0.23	0.18
G 63.0	0.19	0.25	0.41	0.46	0.31	0.16	0.11
G 64.0	0.10	0.17	0.34	0.37	0.24	0.09	0.07
G 65.0	0.07	0.13	0.27	0.28	0.18	0.06	0.05
G 66.0	0.05	0.09	0.18	0.22	0.13	0.04	0.04
G 67.0	0.05	0.06	0.14	0.17	0.08	0.03	0.03
G 68.0	0.04	0.05	0.11	0.11	0.05	0.03	0.02
G 69.0	0.03	0.04	0.08	0.07	0.03	0.02	0.02
G 70.0	0.02	0.03	0.06	0.05	0.03	0.02	0.01
G 71.0	0.02	0.03	0.05	0.04	0.02	0.02	0.01
G 72.0	0.02	0.02	0.04	0.03	0.02	0.01	0.01

Luminaria

Código 90-7194-14-60
Nombre BENTO

Ensayo

Código 90-7194-14-60
Nombre BENTO

Flujo Luminaria	926.94 lm	Potencia luminaria	14.70 W	Eficacia	63.06 lm/W	Eficiencia	100.00%
Flujo de Lámpara	926.94 lm	Valor Máximo	2572.41 cd/klm	Posición	C=0.00 G=0.00	CG	Bisimétrico

Tabla de Intensidad Luminosa cd/klm Tabla 2/2

	C 0.00	C 15.00	C 30.00	C 45.00	C 60.00	C 75.00	C 90.00
G 73.0	0.02	0.02	0.03	0.02	0.02	0.01	0.01
G 74.0	0.02	0.02	0.02	0.02	0.02	0.01	0.01
G 75.0	0.02	0.02	0.02	0.02	0.02	0.01	0.01
G 76.0	0.02	0.02	0.02	0.02	0.01	0.01	0.01
G 77.0	0.02	0.02	0.02	0.02	0.01	0.01	0.01
G 78.0	0.02	0.02	0.02	0.02	0.01	0.01	0.01
G 79.0	0.02	0.02	0.02	0.02	0.01	0.01	0.01
G 80.0	0.02	0.02	0.02	0.02	0.01	0.01	0.01
G 81.0	0.02	0.02	0.02	0.02	0.01	0.01	0.01
G 82.0	0.02	0.02	0.02	0.02	0.01	0.01	0.01
G 83.0	0.02	0.02	0.02	0.01	0.01	0.01	0.01
G 84.0	0.02	0.02	0.02	0.01	0.01	0.01	0.01
G 85.0	0.02	0.02	0.02	0.01	0.01	0.01	0.01
G 86.0	0.02	0.02	0.02	0.01	0.01	0.01	0.01
G 87.0	0.02	0.02	0.01	0.01	0.01	0.01	0.01
G 88.0	0.02	0.02	0.01	0.01	0.01	0.01	0.01
G 89.0	0.02	0.01	0.01	0.01	0.01	0.01	0.01
G 90.0	0.01	0.01	0.01	0.01	0.01	0.01	0.01

LEDS C4[®]

Luminaria

Código 90-7194-14-60
Nombre BENTO

Ensayo

Código 90-7194-14-60
Nombre BENTO

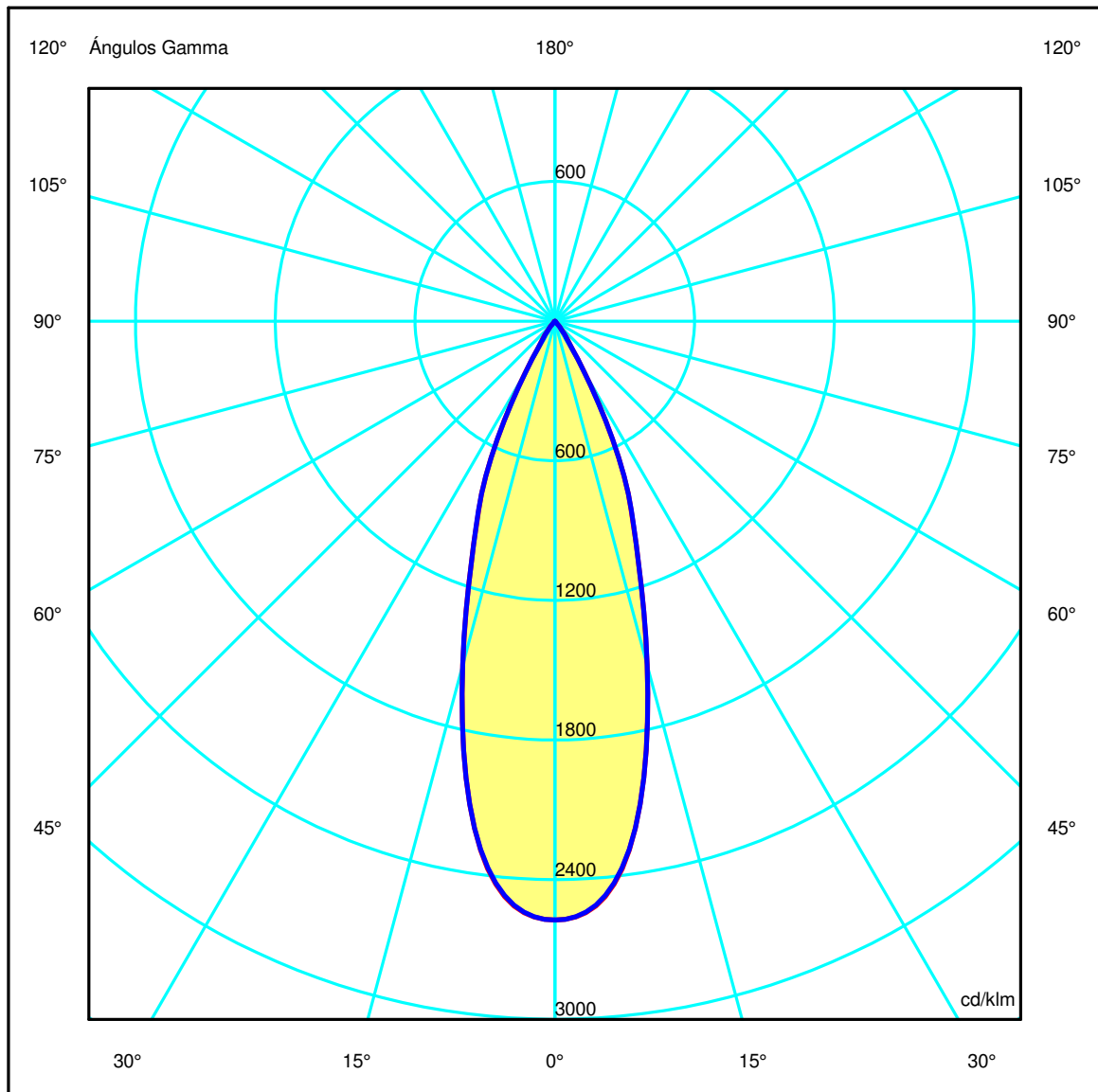
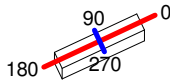
Flujo Luminaria	926.94 lm	Potencia luminaria	14.70 W	Eficacia	63.06 lm/W	Eficiencia	100.00%
Flujo de Lámpara	926.94 lm	Valor Máximo	2572.41 cd/klm	Posición	C=0.00 G=0.00	CG	Bisimétrico

36mm x 185mm

Semiplanos C

180.0 ——— 0.0

270.0 ——— 90.0



LEDS C4[®]

Luminaria

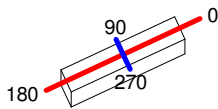
Código 90-7194-14-60
Nombre BENTO

Ensayo

Código 90-7194-14-60
Nombre BENTO

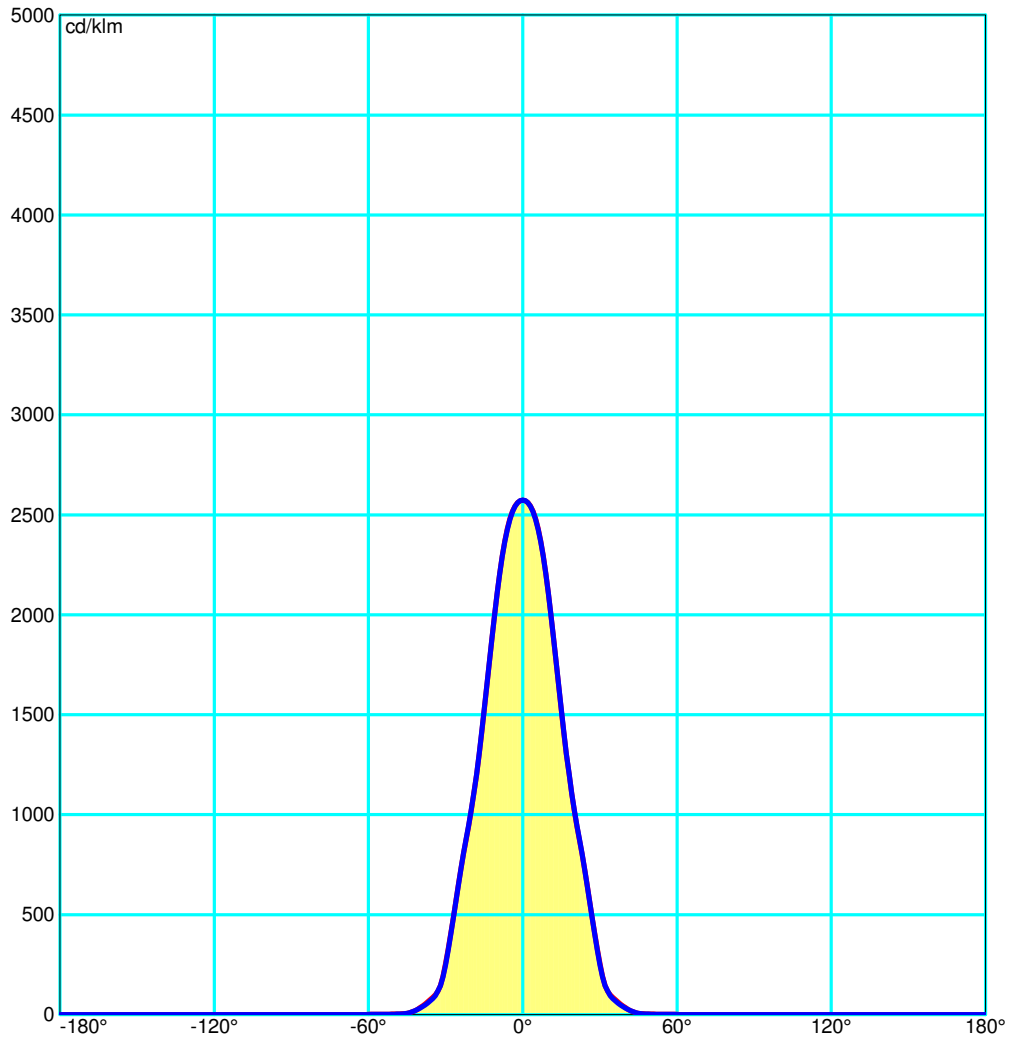
Flujo Luminaria	926.94 lm	Potencia luminaria	14.70 W	Eficacia	63.06 lm/W	Eficiencia	100.00%
Flujo de Lámpara	926.94 lm	Valor Máximo	2572.41 cd/klm	Posición	C=0.00 G=0.00	CG	Bisimétrico

36mm x 185mm



Semiplanos C

180.0 ——— 0.0
270.0 ——— 90.0



Luminaria

Código 90-7194-14-60

Nombre BENTO

Ensayo

Código 90-7194-14-60

Nombre BENTO

Flujo Luminaria	926.94 lm	Potencia luminaria	14.70 W	Eficacia	63.06 lm/W	Eficiencia	100.00%
Flujo de Lámpara	926.94 lm	Valor Máximo	2572.41 cd/klm	Posición	C=0.00 G=0.00	CG	Bisimétrico

UGR
S = 0.250

Reflectancias										
Ceiling/Cavity	0.7	0.7	0.5	0.5	0.3	0.7	0.7	0.5	0.5	0.3
Walls	0.5	0.3	0.5	0.3	0.3	0.5	0.3	0.5	0.3	0.3
WorkingPlane	0.2	0.2	0.2	0.2	0.2	0.2	0.2	0.2	0.2	0.2
RoomDimensions	Viewed Crosswise					Viewed Endwise				
x=2H y=2H	9.0	9.7	9.3	9.9	10.0	8.7	9.3	8.9	9.5	9.7
x=2H y=3H	8.9	9.5	9.2	9.7	9.9	8.5	9.1	8.8	9.4	9.6
x=2H y=4H	8.8	9.4	9.1	9.6	9.9	8.5	9.0	8.8	9.3	9.5
x=2H y=6H	8.8	9.3	9.1	9.5	9.8	8.4	8.9	8.7	9.2	9.5
x=2H y=8H	8.7	9.2	9.0	9.5	9.8	8.4	8.8	8.7	9.1	9.4
x=2H y=12H	8.7	9.1	9.0	9.4	9.7	8.3	8.8	8.7	9.1	9.4
x=4H y=2H	8.8	9.4	9.1	9.6	9.9	8.5	9.0	8.8	9.3	9.5
x=4H y=3H	8.7	9.1	9.0	9.4	9.7	8.3	8.8	8.7	9.1	9.4
x=4H y=4H	8.6	9.0	9.0	9.3	9.7	8.2	8.6	8.6	9.0	9.3
x=4H y=6H	8.5	8.8	8.9	9.2	9.6	8.2	8.5	8.6	8.9	9.2
x=4H y=8H	8.5	8.8	8.9	9.1	9.5	8.1	8.4	8.5	8.8	9.2
x=4H y=12H	8.4	8.7	8.9	9.1	9.5	8.1	8.3	8.5	8.7	9.2
x=8H y=4H	8.5	8.8	8.9	9.1	9.5	8.1	8.4	8.5	8.8	9.2
x=8H y=6H	8.4	8.6	8.8	9.0	9.5	8.0	8.3	8.5	8.7	9.1
x=8H y=8H	8.4	8.5	8.8	9.0	9.4	8.0	8.2	8.5	8.6	9.1
x=8H y=12H	8.3	8.4	8.8	8.9	9.4	8.0	8.1	8.4	8.6	9.0
x=12H y=4H	8.4	8.7	8.9	9.1	9.5	8.1	8.3	8.5	8.7	9.2
x=12H y=6H	8.4	8.5	8.8	9.0	9.4	8.0	8.2	8.5	8.6	9.1
x=12H y=8H	8.3	8.4	8.8	8.9	9.4	8.0	8.1	8.4	8.6	9.0

Luminaria

Código 90-7194-14-60
Nombre BENTO

Ensayo

Código 90-7194-14-60
Nombre BENTO

Flujo Luminaria	926.94 lm	Potencia luminaria	14.70 W	Eficacia	63.06 lm/W	Eficiencia	100.00%
Flujo de Lámpara	926.94 lm	Valor Máximo	2572.41 cd/klm	Posición	C=0.00 G=0.00	CG	Bisimétrico

Flujo Total=926.94 Flujo Luminaria=926.94

RI	0.60	0.80	1.00	1.25	1.50	2.00	2.50	3.00	4.00	5.00	10.00	20.00
DRR	0.74	0.78	0.83	0.86	0.88	0.93	0.96	0.98	0.99	1.00	1.02	1.02
RC	-	-	-	-	-	-	-	-	-	-	-	-

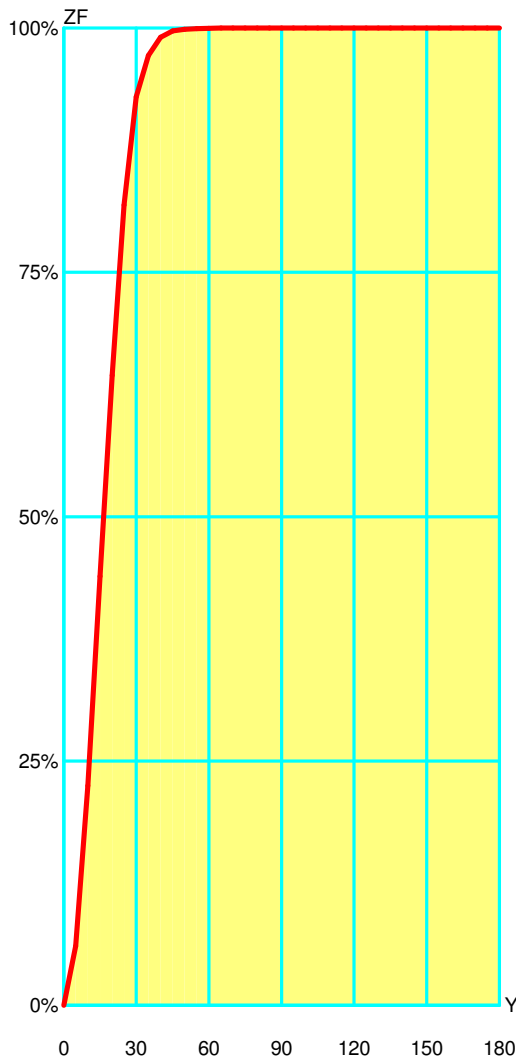
Flujo Zonal por 1000 Lúmenes

Y°	10	20	30	40	50	60	70	80	90	100	110	120	130	140	150	160	170	180
ZF(Y)	225	644	930	991	999	1000	1000	1000	1000	1000	1000	1000	1000	1000	1000	1000	1000	1000

Códigos de Flujo C.I.E.

99 100 100 100 100

C.I.E.	-/-/-/-/-/-/-/-/-/-	LOR	100.00000 %
D DIN 5040	A60	ULOR	0.00000 %
F UTE	--	DLOR	100.00000 %
B NBN	BZ 1	UFF	0.00000 %
RN	0.00000 %	DFF	100.00000 %
BLF	1.0	FFR	0.00000 %



Flujo Zonal				
Gamma °	Flujo	Suma lm	Flujo [%]	Suma [%]
0°	0.00	0.00	0.00%	0.00 %
5°	60.45	60.45	6.04 %	6.04 %
10°	164.31	224.75	16.43 %	22.48 %
15°	214.03	438.78	21.40 %	43.88 %
20°	205.71	644.50	20.57 %	64.45 %
25°	174.39	818.89	17.44 %	81.89 %
30°	110.82	929.70	11.08 %	92.97 %
35°	42.22	971.92	4.22 %	97.19 %
40°	18.71	990.63	1.87 %	99.06 %
45°	6.47	997.10	0.65 %	99.71 %
50°	1.48	998.58	0.15 %	99.86 %
55°	0.77	999.34	0.08 %	99.93 %
60°	0.41	999.76	0.04 %	99.98 %
65°	0.17	999.92	0.02 %	99.99 %
70°	0.04	999.96	0.00 %	100.00 %
75°	0.01	999.98	0.00 %	100.00 %
80°	0.01	999.98	0.00 %	100.00 %
85°	0.01	999.99	0.00 %	100.00 %
90°	0.01	1000.00	0.00 %	100.00 %
95°	0.00	1000.00	0.00 %	100.00 %
100°	0.00	1000.00	0.00 %	100.00 %
105°	0.00	1000.00	0.00 %	100.00 %
110°	0.00	1000.00	0.00 %	100.00 %
115°	0.00	1000.00	0.00 %	100.00 %
120°	0.00	1000.00	0.00 %	100.00 %
125°	0.00	1000.00	0.00 %	100.00 %
130°	0.00	1000.00	0.00 %	100.00 %
135°	0.00	1000.00	0.00 %	100.00 %
140°	0.00	1000.00	0.00 %	100.00 %
145°	0.00	1000.00	0.00 %	100.00 %
150°	0.00	1000.00	0.00 %	100.00 %
155°	0.00	1000.00	0.00 %	100.00 %
160°	0.00	1000.00	0.00 %	100.00 %
165°	0.00	1000.00	0.00 %	100.00 %
170°	0.00	1000.00	0.00 %	100.00 %
175°	0.00	1000.00	0.00 %	100.00 %
180°	0.00	1000.00	0.00 %	100.00 %

Luminaria

 Código 90-7194-14-60
 Nombre BENTO

Ensayo

 Código 90-7194-14-60
 Nombre BENTO

Flujo Luminaria	926.94 lm	Potencia luminaria	14.70 W	Eficacia	63.06 lm/W	Eficiencia	100.00%
Flujo de Lámpara	926.94 lm	Valor Máximo	2572.41 cd/klm	Posición	C=0.00 G=0.00	CG	Bisimétrico

Utilización CIE

Montaje	Directo		Normalización		Normalizados		Raz. de Susp.			1/3			CIE Estándar										
Techo																							
K	8873	8773	8871	8771	7773	7771	7753	7553	7751	7551	7731	7331	7711	7111	5551	5531	5331	5511	5111	3331	3311	1111	0000
0.60	160	144	89	80	137	76	93	79	49	42	31	23	18	12	39	25	22	14	12	21	12	11	0
0.80	193	177	97	90	168	86	123	107	59	52	40	32	25	19	48	33	30	21	18	28	18	16	0
1.00	216	201	98	92	191	88	147	131	64	58	46	38	32	25	54	39	36	28	24	34	25	22	0
1.25	240	226	100	95	215	91	172	156	70	64	53	45	40	32	60	46	43	35	31	41	31	28	0
1.50	257	245	101	97	233	93	193	177	74	69	59	51	46	38	65	52	49	41	37	46	37	34	0
2.00	281	270	98	95	258	92	224	209	78	74	66	60	57	49	70	60	57	51	47	55	47	44	0
2.50	297	287	96	94	274	91	246	233	81	77	72	66	64	57	73	66	63	59	55	60	55	51	0
3.00	308	300	94	92	286	90	263	250	82	79	76	70	70	63	75	70	68	65	61	65	61	57	0
4.00	325	318	95	93	305	91	286	276	86	84	82	77	78	72	80	76	74	73	69	72	69	65	0
5.00	336	331	95	94	317	92	302	293	89	86	86	82	83	78	83	81	79	79	75	77	75	71	0
10.00	360	357	96	96	343	94	337	332	94	93	95	92	95	92	90	91	90	91	89	87	88	85	0
20.00	374	373	98	98	358	96	357	354	98	97	100	99	102	100	95	97	96	99	98	94	96	93	0
Pared																							
K	8873	8773	8871	8771	7773	7771	7753	7553	7751	7551	7731	7331	7711	7111	5551	5531	5331	5511	5111	3331	3311	1111	0000
0.60	275	266	185	181	261	178	206	199	144	141	121	118	104	102	139	118	117	103	102	116	102	101	79
0.80	307	297	197	193	290	190	236	228	158	155	136	132	119	116	152	132	131	117	115	129	115	114	88
1.00	321	311	193	189	302	186	252	242	159	155	139	135	123	119	152	134	133	120	118	131	118	116	87
1.25	337	327	192	189	315	185	269	259	162	158	143	139	129	125	154	138	136	125	123	134	123	120	87
1.50	347	338	190	187	324	183	282	271	162	159	146	141	133	128	154	140	138	128	126	135	125	122	86
2.00	347	338	170	167	322	163	287	276	148	145	135	131	125	120	139	128	127	119	117	123	115	111	72
2.50	339	331	148	146	313	141	283	273	130	128	121	117	113	108	121	113	112	106	104	107	101	96	54
3.00	326	319	125	124	299	119	274	265	111	108	104	100	98	93	101	95	94	90	88	88	84	79	35
4.00	316	311	103	102	288	97	269	261	91	89	87	83	83	78	81	78	76	74	72	70	67	60	15
5.00	305	300	83	82	276	77	260	253	73	72	70	67	67	63	63	61	59	58	56	52	50	43	0
10.00	230	227	0	0	200	0	194	189	0	0	0	0	0	0	0	0	0	0	0	0	0	0	0
20.00	93	91	0	0	62	0	61	58	0	0	0	0	0	0	0	0	0	0	0	0	0	0	0
P.Trab.																							
K	8873	8773	8871	8771	7773	7771	7753	7553	7751	7551	7731	7331	7711	7111	5551	5531	5331	5511	5111	3331	3311	1111	0000
0.60	914	905	853	848	899	845	832	825	801	797	771	768	749	747	795	768	767	748	747	766	747	746	738
0.80	975	964	898	893	955	889	888	879	847	843	818	813	795	792	839	813	811	793	791	810	791	789	781
1.00	1000	1000	939	934	1000	928	943	932	892	887	865	859	843	839	882	858	857	840	837	854	837	834	827
1.25	1000	1000	968	964	1000	958	988	976	926	921	901	895	881	875	914	893	891	875	873	887	871	868	860
1.50	1000	1000	989	985	1000	978	1000	1000	950	945	927	921	909	902	937	918	916	902	899	911	897	892	885
2.00	1000	1000	1000	1000	1000	1000	1000	1000	990	986	973	966	958	951	976	961	959	949	945	952	941	935	928
2.50	1000	1000	1000	1000	1000	1000	1000	1000	1000	1000	1000	1000	996	991	983	1000	990	987	980	976	979	971	963
3.00	1000	1000	1000	1000	1000	1000	1000	1000	1000	1000	1000	1000	1000	1000	1000	1000	1000	1000	1000	999	998	992	983
4.00	1000	1000	1000	1000	1000	1000	1000	1000	1000	1000	1000	1000	1000	1000	1000	1000	1000	1000	1000	1000	1000	1000	999
5.00	1000	1000	1000	1000	1000	1000	1000	1000	1000	1000	1000	1000	1000	1000	1000	1000	1000	1000	1000	1000	1000	1000	1000
10.00	1000	1000	1000	1000	1000	1000	1000	1000	1000	1000	1000	1000	1000	1000	1000	1000	1000	1000	1000	1000	1000	1000	1000
20.00	1000	1000	1000	1000	1000	1000	1000	1000	1000	1000	1000	1000	1000	1000	1000	1000	1000	1000	1000	1000	1000	1000	1000

LM53 SHR C0-C180: 0.555 SHR C90-C270: 0.564 SHR Superficial: 0.601

LEDS C4[®]

Luminaria

Código 90-7194-14-60
Nombre BENTO

Ensayo

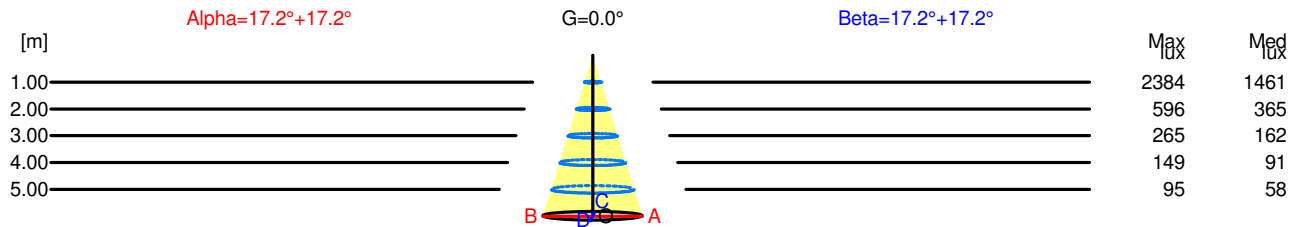
Código 90-7194-14-60
Nombre BENTO

Flujo Luminaria	926.94 lm	Potencia luminaria	14.70 W	Eficacia	63.06 lm/W	Eficiencia	100.00%
Flujo de Lámpara	926.94 lm	Valor Máximo	2572.41 cd/klm	Posición	C=0.00 G=0.00	CG	Bisimétrico

Apertura a 50.00 % de Max Intensidad

H[m]	1.00	2.00	3.00	4.00	5.00	H[m]	1.00	2.00	3.00	4.00	5.00
OA	0.31	0.62	0.93	1.24	1.54	OC	0.31	0.62	0.93	1.24	1.55
OB	0.31	0.62	0.93	1.24	1.54	OD	0.31	0.62	0.93	1.24	1.55

	Intensidades Luminosas [cd/klm]									
	0	5	15	25	35	45	55	65	75	85
OA	2384.47	2300.23	1416.11	601.54	79.62	5.79	1.13	0.06	0.02	0.02
OB	2384.47	2300.23	1416.11	601.54	79.62	5.79	1.13	0.06	0.02	0.02
OC	2384.47	2295.43	1419.92	598.92	73.52	5.59	0.83	0.04	0.01	0.01
OD	2384.47	2295.43	1419.92	598.92	73.52	5.59	0.83	0.04	0.01	0.01



H[m]	D[m]	Max lux	Med lux	Alpha=17.2°+17.2°	G=0.0
1.00	0.62	2384	1461		
2.00	1.24	596	365		
3.00	1.85	265	162		
4.00	2.47	149	91		
5.00	3.09	95	58		

H[m]	D[m]	Max lux	Med lux	Beta=17.2°+17.2°	G=0.0
1.00	0.62	2384	1461		
2.00	1.24	596	365		
3.00	1.86	265	162		
4.00	2.47	149	91		
5.00	3.09	95	58		

Luminaria

Código 90-7194-14-60
Nombre BENTO

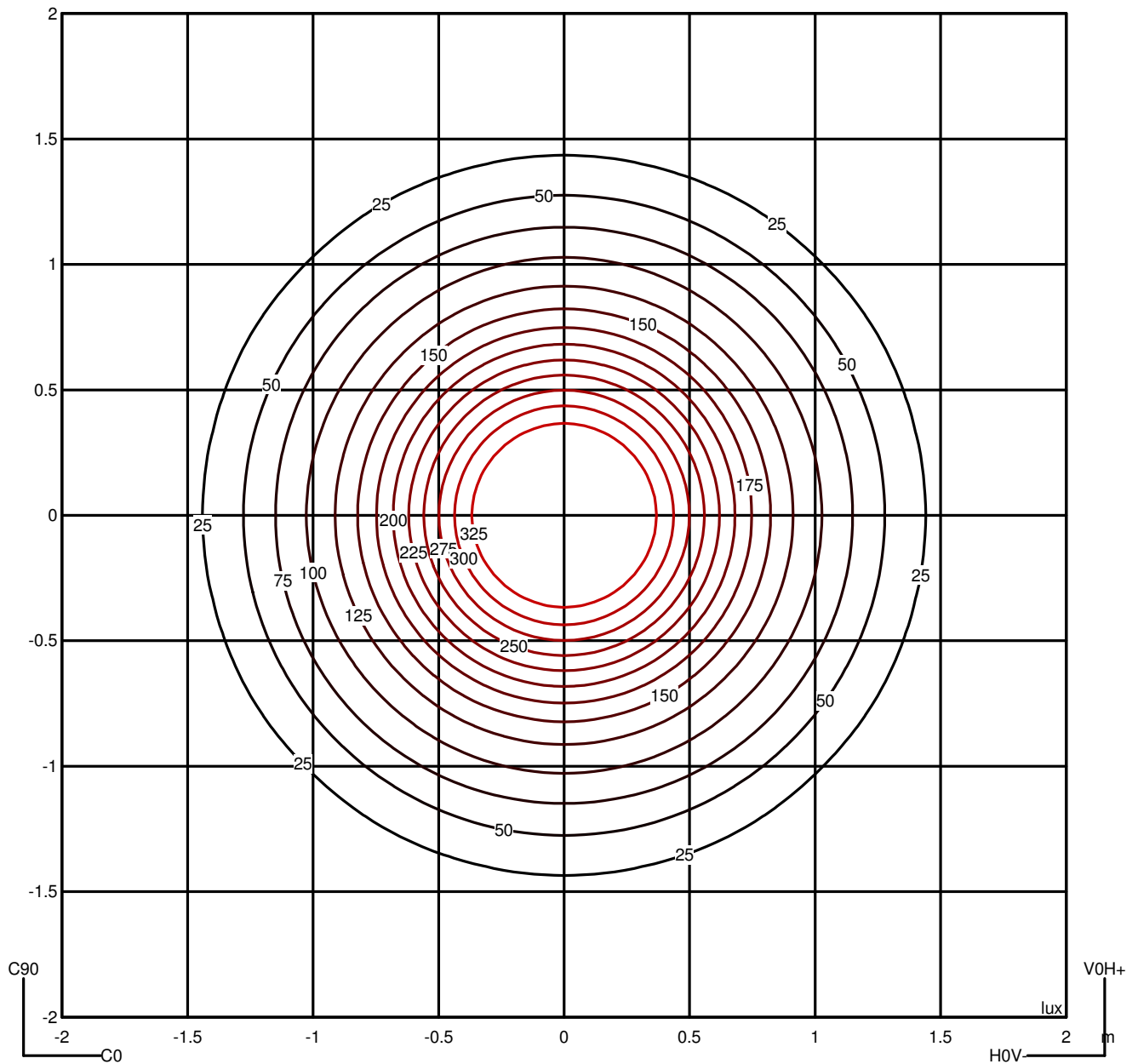
Ensayo

Código 90-7194-14-60
Nombre BENTO

Flujo Luminaria	926.94 lm	Potencia luminaria	14.70 W	Eficacia	63.06 lm/W	Eficiencia	100.00%
Flujo de Lámpara	926.94 lm	Valor Máximo	2572.41 cd/klm	Posición	C=0.00 G=0.00	CG	Bisimétrico

Isolux (Suelo)

Posición Luminaria X=0.00m Y=0.00m Z=2.50m



LEDS C4[®]

Luminaria

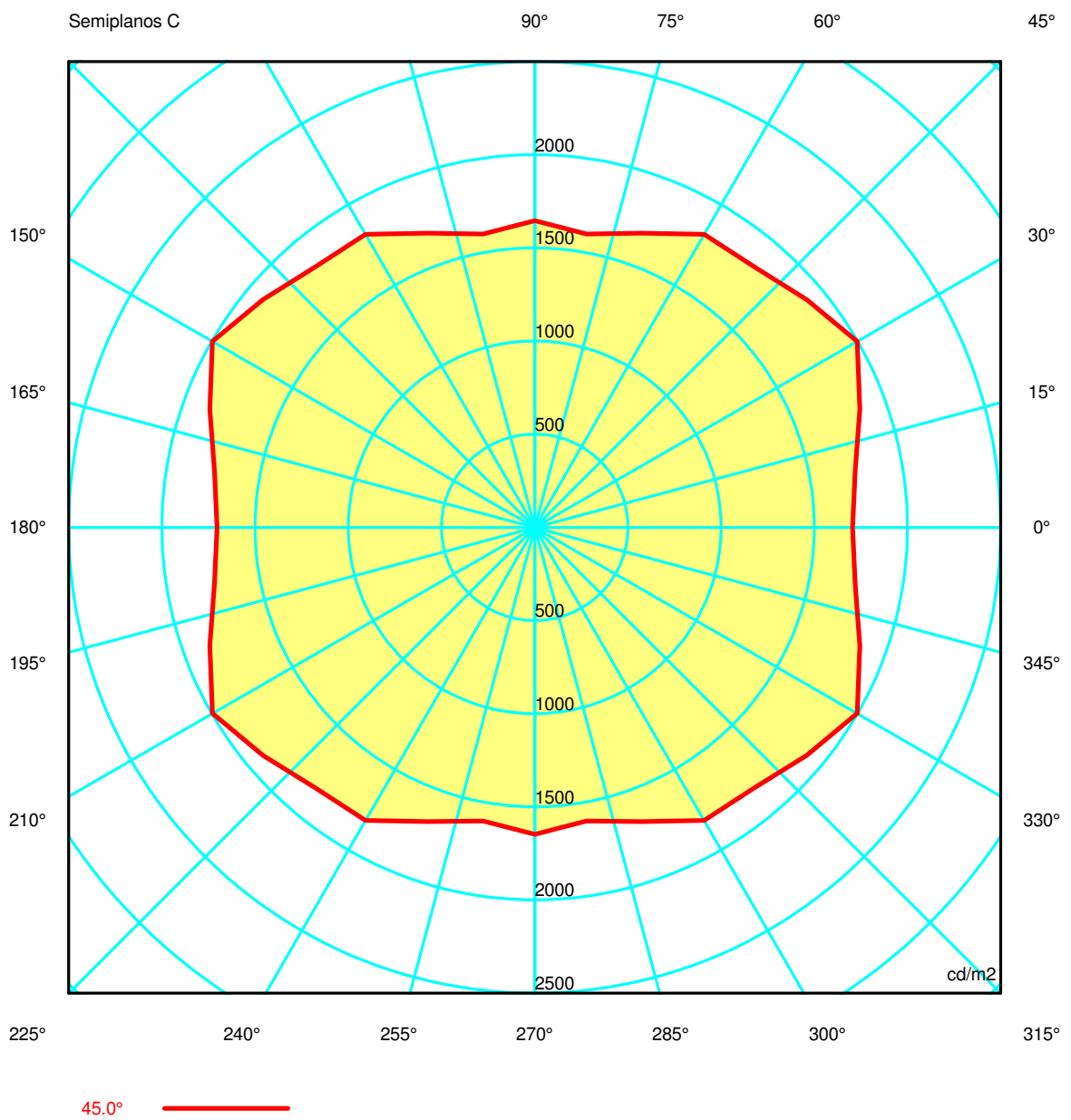
Código 90-7194-14-60
Nombre BENTO

Ensayo

Código 90-7194-14-60
Nombre BENTO

Flujo Luminaria	926.94 lm	Potencia luminaria	14.70 W	Eficacia	63.06 lm/W	Eficiencia	100.00%
Flujo de Lámpara	926.94 lm	Valor Máximo	2572.41 cd/klm	Posición	C=0.00 G=0.00	CG	Bisimétrico

Luminancia



Luminaria

Código 90-7194-14-60

Nombre BENTO

Ensayo

Código 90-7194-14-60

Nombre BENTO

Flujo Luminaria	926.94 lm	Potencia luminaria	14.70 W	Eficacia	63.06 lm/W	Eficiencia	100.00%
Flujo de Lámpara	926.94 lm	Valor Máximo	2572.41 cd/klm	Posición	C=0.00 G=0.00	CG	Bisimétrico

Luminance cd/m2 Tabla 1/3

	C 0.00	C 10.00	C 20.00	C 30.00	C 40.00	C 50.00	C 60.00	C 70.00	C 80.00	C 90.00	C 100.00	C 110.00	C 120.00
G 0.0	496765.41	496765.41	496765.41	496765.41	496765.41	496765.41	496765.41	496765.41	496765.41	496765.41	496765.41	496765.41	496765.41
G 5.0	481045.82	480869.66	480727.17	480560.63	480306.57	480215.92	480193.00	479881.17	479774.39	480040.26	479774.39	479881.17	480193.00
G 10.0	413046.85	412890.34	412732.16	412618.69	412613.32	412659.37	412720.91	412807.61	412906.81	413008.07	412906.81	412807.61	412720.91
G 15.0	305430.65	305644.08	305684.07	305635.84	305739.14	305838.16	305900.98	306058.11	306193.18	306252.92	306193.18	306058.11	305900.98
G 20.0	209459.39	209451.79	209411.45	209295.16	209204.85	209386.94	209726.34	209847.02	209921.33	210070.04	209921.33	209847.02	209726.34
G 25.0	138276.78	138380.65	138569.91	138818.52	138975.90	138843.93	138437.83	137995.06	137737.06	137674.66	137737.06	137995.06	138437.83
G 30.0	57152.85	56549.30	56812.91	57236.14	56375.54	55970.08	56197.78	55533.28	55077.09	55358.73	55077.09	55533.28	56197.78
G 35.0	20248.93	20246.97	20229.26	20195.79	19949.26	19616.57	19248.67	18848.23	18706.35	18698.63	18706.35	18848.23	19248.67
G 40.0	8598.14	8619.97	8642.84	8601.98	8433.27	8323.80	8250.93	8027.42	7927.65	7923.98	7927.65	8027.42	8250.93
G 45.0	1704.77	1745.64	1854.87	1996.16	1903.17	1827.43	1816.02	1680.43	1599.38	1646.82	1599.38	1680.43	1816.02
G 50.0	724.62	729.24	749.56	771.07	761.23	733.93	691.39	625.84	582.43	573.47	582.43	625.84	691.39
G 55.0	409.27	422.39	452.28	494.14	519.82	494.64	424.81	355.19	314.89	302.49	314.89	355.19	424.81
G 60.0	178.69	188.88	228.23	286.58	318.23	292.67	225.79	167.88	137.46	128.81	137.46	167.88	225.79
G 65.0	31.33	44.58	79.15	121.78	134.69	118.67	83.51	41.74	24.95	21.28	24.95	41.74	83.51
G 70.0	12.89	16.11	25.06	34.02	30.74	21.79	14.21	9.94	8.31	8.00	8.31	9.94	14.21
G 75.0	15.59	15.32	15.20	14.79	13.48	12.25	11.49	10.72	10.12	9.74	10.12	10.72	11.49
G 80.0	22.31	21.40	20.39	19.19	17.87	16.81	15.94	14.75	13.69	12.92	13.69	14.75	15.94
G 85.0	41.70	40.33	37.68	34.41	32.38	30.80	28.54	25.40	23.40	23.02	23.40	25.40	28.54
G 90.0	0.00	0.00	0.00	0.00	0.00	0.00	0.00	0.00	0.00	0.00	0.00	0.00	0.00

Luminaria

Código 90-7194-14-60

Nombre BENTO

Ensayo

Código 90-7194-14-60

Nombre BENTO

Flujo Luminaria	926.94 lm	Potencia luminaria	14.70 W	Eficacia	63.06 lm/W	Eficiencia	100.00%
Flujo de Lámpara	926.94 lm	Valor Máximo	2572.41 cd/klm	Posición	C=0.00 G=0.00	CG	Bisimétrico

Luminance cd/m2 Tabla 2/3

	C 130.00	C 140.00	C 150.00	C 160.00	C 170.00	C 180.00	C 190.00	C 200.00	C 210.00	C 220.00	C 230.00	C 240.00	C 250.00
G 0.0	496765.41	496765.41	496765.41	496765.41	496765.41	496765.41	496765.41	496765.41	496765.41	496765.41	496765.41	496765.41	496765.41
G 5.0	480215.92	480306.57	480560.63	480727.17	480869.66	481045.82	480869.66	480727.17	480560.63	480306.57	480215.92	480193.00	479881.17
G 10.0	412659.37	412613.32	412618.69	412732.16	412890.34	413046.85	412890.34	412732.16	412618.69	412613.32	412659.37	412720.91	412807.61
G 15.0	305838.16	305739.14	305635.84	305684.07	305644.08	305430.65	305644.08	305684.07	305635.84	305739.14	305838.16	305900.98	306058.11
G 20.0	209386.94	209204.85	209295.16	209411.45	209451.79	209459.39	209451.79	209411.45	209295.16	209204.85	209386.94	209726.34	209847.02
G 25.0	138843.93	138975.90	138818.52	138569.91	138380.65	138276.78	138380.65	138569.91	138818.52	138975.90	138843.93	138437.83	137995.06
G 30.0	55970.08	56375.54	57236.14	56812.91	56549.30	57152.85	56549.30	56812.91	57236.14	56375.54	55970.08	56197.78	55533.28
G 35.0	19616.57	19949.26	20195.79	20229.26	20246.97	20248.93	20246.97	20229.26	20195.79	19949.26	19616.57	19248.67	18848.23
G 40.0	8323.80	8433.27	8601.98	8642.84	8619.97	8598.14	8619.97	8642.84	8601.98	8433.27	8323.80	8250.93	8027.42
G 45.0	1827.43	1903.17	1996.16	1854.87	1745.64	1704.77	1745.64	1854.87	1996.16	1903.17	1827.43	1816.02	1680.43
G 50.0	733.93	761.23	771.07	749.56	729.24	724.62	729.24	749.56	771.07	761.23	733.93	691.39	625.84
G 55.0	494.64	519.82	494.14	452.28	422.39	409.27	422.39	452.28	494.14	519.82	494.64	424.81	355.19
G 60.0	292.67	318.23	286.58	228.23	188.88	178.69	188.88	228.23	286.58	318.23	292.67	225.79	167.88
G 65.0	118.67	134.69	121.78	79.15	44.58	31.33	44.58	79.15	121.78	134.69	118.67	83.51	41.74
G 70.0	21.79	30.74	34.02	25.06	16.11	12.89	16.11	25.06	34.02	30.74	21.79	14.21	9.94
G 75.0	12.25	13.48	14.79	15.20	15.32	15.59	15.32	15.20	14.79	13.48	12.25	11.49	10.72
G 80.0	16.81	17.87	19.19	20.39	21.40	22.31	21.40	20.39	19.19	17.87	16.81	15.94	14.75
G 85.0	30.80	32.38	34.41	37.68	40.33	41.70	40.33	37.68	34.41	32.38	30.80	28.54	25.40
G 90.0	0.00	0.00	0.00	0.00	0.00	0.00	0.00	0.00	0.00	0.00	0.00	0.00	0.00

Luminaria

Código 90-7194-14-60

Nombre BENTO

Ensayo

Código 90-7194-14-60

Nombre BENTO

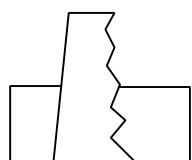
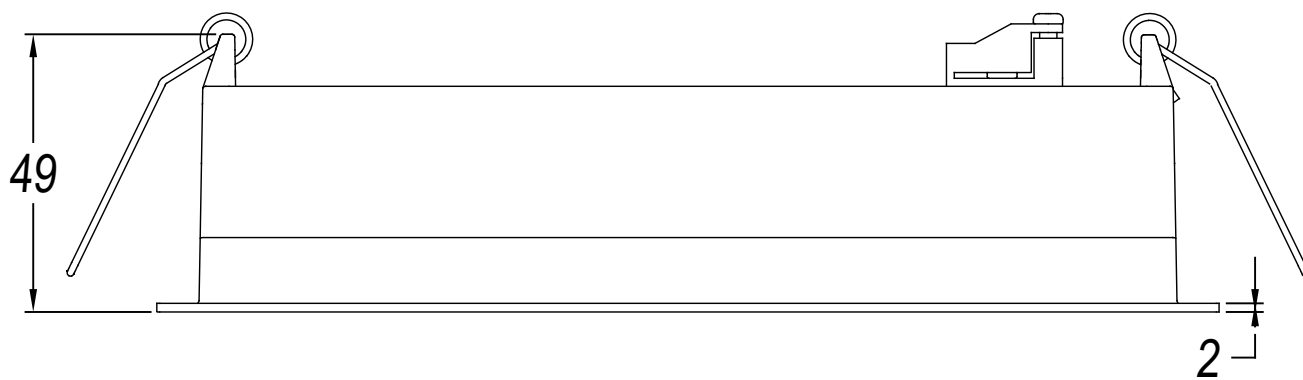
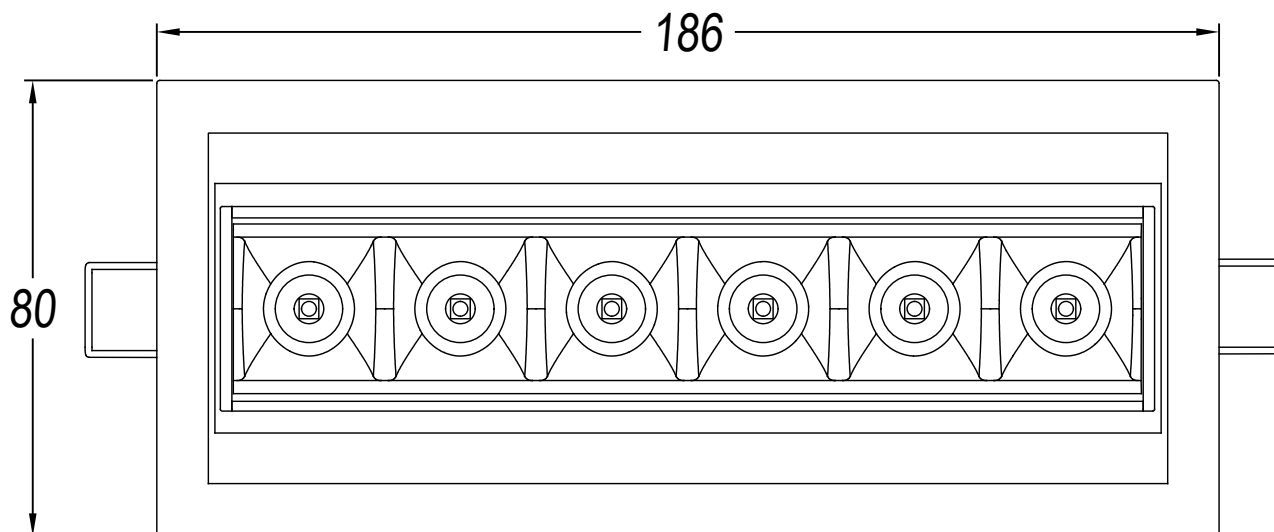
Flujo Luminaria	926.94 lm	Potencia luminaria	14.70 W	Eficacia	63.06 lm/W	Eficiencia	100.00%
Flujo de Lámpara	926.94 lm	Valor Máximo	2572.41 cd/klm	Posición	C=0.00 G=0.00	CG	Bisimétrico

Luminance cd/m2 Tabla 3/3

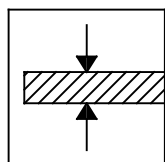
	C 260.00	C 270.00	C 280.00	C 290.00	C 300.00	C 310.00	C 320.00	C 330.00	C 340.00	C 350.00
G 0.0	496765.41	496765.41	496765.41	496765.41	496765.41	496765.41	496765.41	496765.41	496765.41	496765.41
G 5.0	479774.39	480040.26	479774.39	479881.17	480193.00	480215.92	480306.57	480560.63	480727.17	480869.66
G 10.0	412906.81	413008.07	412906.81	412807.61	412720.91	412659.37	412613.32	412618.69	412732.16	412890.34
G 15.0	306193.18	306252.92	306193.18	306058.11	305900.98	305838.16	305739.14	305635.84	305684.07	305644.08
G 20.0	209921.33	210070.04	209921.33	209847.02	209726.34	209386.94	209204.85	209295.16	209411.45	209451.79
G 25.0	137737.06	137674.66	137737.06	137995.06	138437.83	138843.93	138975.90	138818.52	138569.91	138380.65
G 30.0	55077.09	55358.73	55077.09	55533.28	56197.78	55970.08	56375.54	57236.14	56812.91	56549.30
G 35.0	18706.35	18698.63	18706.35	18848.23	19248.67	19616.57	19949.26	20195.79	20229.26	20246.97
G 40.0	7927.65	7923.98	7927.65	8027.42	8250.93	8323.80	8433.27	8601.98	8642.84	8619.97
G 45.0	1599.38	1646.82	1599.38	1680.43	1816.02	1827.43	1903.17	1996.16	1854.87	1745.64
G 50.0	582.43	573.47	582.43	625.84	691.39	733.93	761.23	771.07	749.56	729.24
G 55.0	314.89	302.49	314.89	355.19	424.81	494.64	519.82	494.14	452.28	422.39
G 60.0	137.46	128.81	137.46	167.88	225.79	292.67	318.23	286.58	228.23	188.88
G 65.0	24.95	21.28	24.95	41.74	83.51	118.67	134.69	121.78	79.15	44.58
G 70.0	8.31	8.00	8.31	9.94	14.21	21.79	30.74	34.02	25.06	16.11
G 75.0	10.12	9.74	10.12	10.72	11.49	12.25	13.48	14.79	15.20	15.32
G 80.0	13.69	12.92	13.69	14.75	15.94	16.81	17.87	19.19	20.39	21.40
G 85.0	23.40	23.02	23.40	25.40	28.54	30.80	32.38	34.41	37.68	40.33
G 90.0	0.00	0.00	0.00	0.00	0.00	0.00	0.00	0.00	0.00	0.00

LEDS C4⁺

Bento Adjustable 6LED



70x175

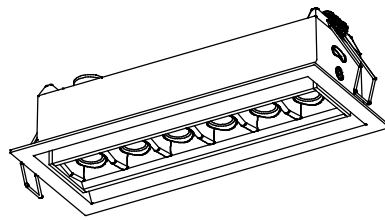
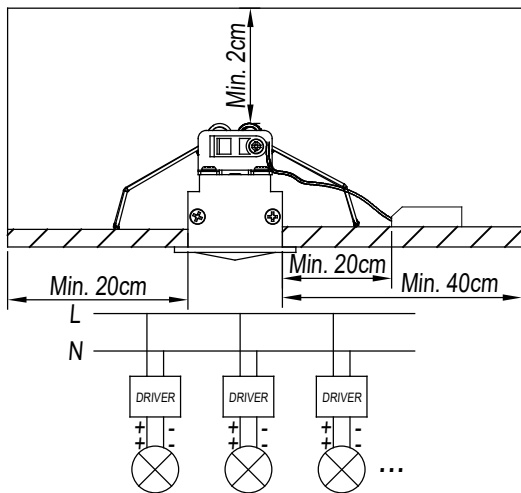


0-20mm

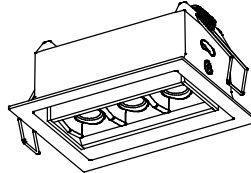
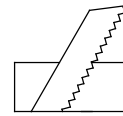
10/10/2018

LEDS C4⁺

BENTO ADJUSTABLE

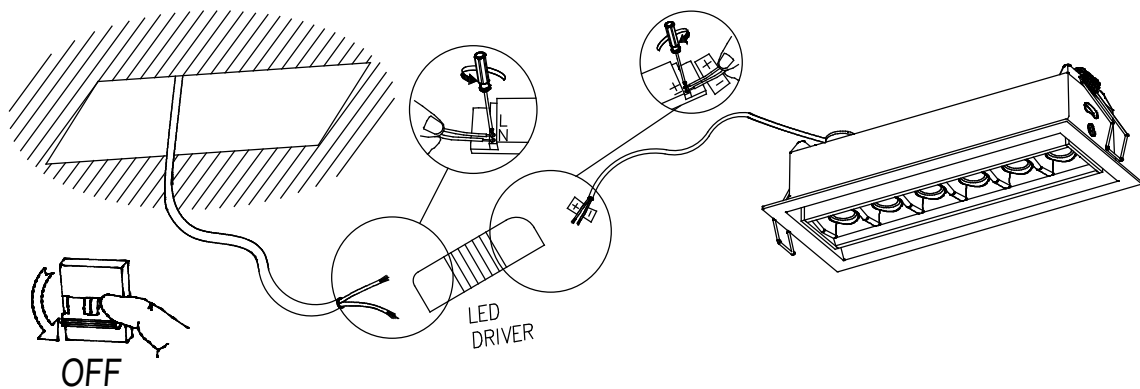


6LEDS: 70x175mm

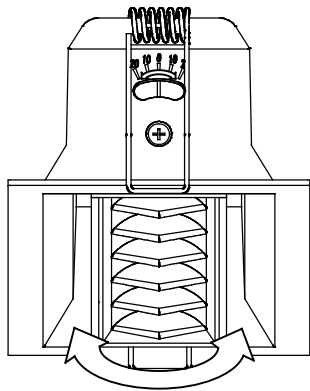


3LEDS: 70x96mm

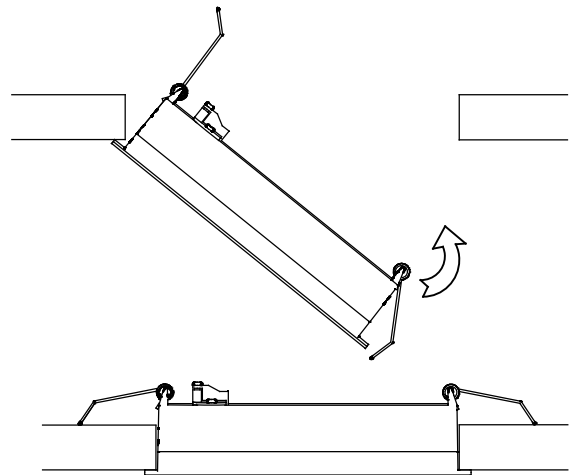
1



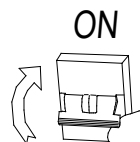
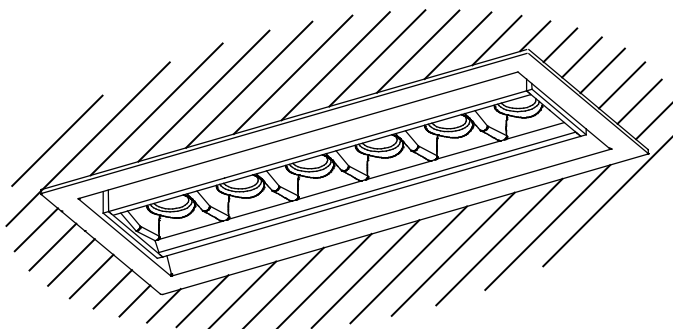
2



3



4



The light source of this luminaire is not replaceable; when the light source reaches its end of life the whole luminaire shall be replaced.