

BENTO Downlight recessed



Description

Downlight

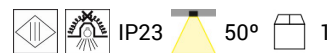
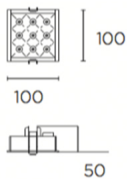
For downlighting. UGR <10. Maximum visual comfort with invisible lamp effect. Structure material: Aluminium, Polycarbonate. Structure finish: White, Black. Blades material: . Blades finishes: NA. Warranty: 5 Years.

Finish

White
Black
NA

Material

Aluminium
Polycarbonate



95x95

0-18

TECHNICAL CHARACTERISTICS

Light source

Light source: LED CREE
Output (W): 20W
Color temperature: LED warm-white 2700K
CRI: 90
Photobiological risk: RG2
Real Lumen: 941
Qty Leds: 9
Lm/Real W: 47
Life Time: 50.000h L80B20
Bin / Grup: 8A3 o 8D2
MacAdam steps: 3
UGR: 12.6

GEAR

This item requires gear. It is not included.

Luminaire

Warranty: 5 Years

Logistics

Energy Efficiency: LED A++
EAN Code: 8435526844289
Net Weight (Kg): 0.000
Packing: 190 x 200 x 100
Masterbox: 1

The photograph may not match the reference exactly. Please read the product description to identify the finish.

Luminaria

Código 90-6392
Nombre 18 leds lineal

Ensayo

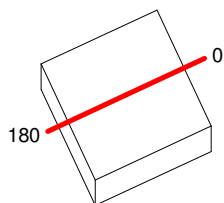
Código 90-6392
Nombre 18 leds lineal

Flujo Luminaria	941.92 lm	Potencia luminaria	23.20 W	Eficacia	40.60 lm/W	Eficiencia	100.00%
Flujo de Lámpara	941.92 lm	Valor Máximo	1677.15 cd/klm	Posición	C=0.00 G=0.00	CG	Rotosimétrico
Luminaria Rectangular Área Luminosa Rectangular	Longit. Longit.	100 mm 65 mm	Anchura Anchura	100 mm 65 mm	Altura Altura	54 mm 0 mm	
Área Luminosa Horizontal Área Emisión sobre Pl. 0° Área Emisión sobre Pl. 90°	0.004225 m2 0.000000 m2 0.000000 m2		Área Emisión sobre Pl. 180° Área Emisión sobre Pl. 270° Área de deslumbramiento a 76°	0.000000 m2 0.000000 m2 0.001022 m2			
Sist. de Coorden. Fecha Distancia de Ensayo	CG 20-11-2017 0.00		Tipo de Simetría Máximo Ángulo Gamma Flujo de Ensayo	Rotosimétrico 90 1045.24 lm			
Operador Temperatura Humedad Notas	qualitat 25.00 °C 60.00 %		Tensión de alimentación [V] Corriente de alimentación [A] Fotocélula				

Lámparas de la Luminaria

Familia	Código	Nombre	Flujo [lm]	Pot. [W]	Cant.
	90-6392	48° 11leds	941.92	23.20	1
C.I.E. F UTE	99 100 100 100 100 --		D DIN 5040 B NBN	A60 BZ 1	

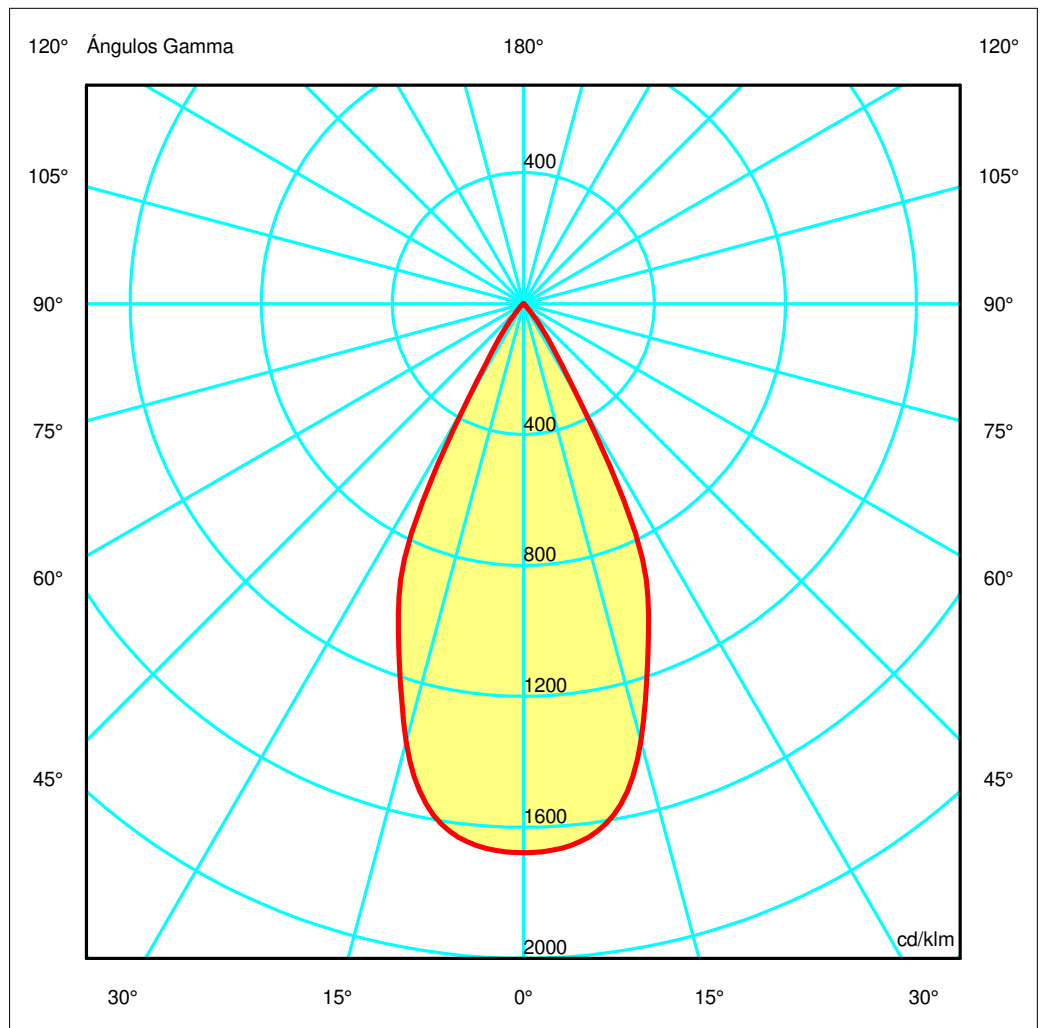
100mm x 100mm



Semiplanos C

180.0 — 0.0

ULOR 0.00 %
DLOR 100.00 %
RN 0.00 %



Luminaria

Código 90-6392
 Nombre 18 leds lineal
Ensayo
 Código 90-6392
 Nombre 18 leds lineal

Flujo Luminaria	941.92 lm	Potencia luminaria	23.20 W	Eficacia	40.60 lm/W	Eficiencia	100.00%
Flujo de Lámpara	941.92 lm	Valor Máximo	1677.15 cd/klm	Posición	C=0.00 G=0.00	CG	Rotosimétrico

Tabla de Intensidad Luminosa cd/klm Tabla 1/1

	C 0.00	C 0.00	
G 0.0	1677.15	G 46.0	9.69
G 1.0	1676.63	G 47.0	7.68
G 2.0	1674.88	G 48.0	6.07
G 3.0	1671.90	G 49.0	4.79
G 4.0	1667.45	G 50.0	3.79
G 5.0	1660.95	G 51.0	3.02
G 6.0	1652.53	G 52.0	2.44
G 7.0	1641.27	G 53.0	2.04
G 8.0	1626.93	G 54.0	1.71
G 9.0	1608.48	G 55.0	1.46
G 10.0	1585.67	G 56.0	1.25
G 11.0	1557.43	G 57.0	1.07
G 12.0	1523.29	G 58.0	0.92
G 13.0	1482.97	G 59.0	0.78
G 14.0	1436.18	G 60.0	0.65
G 15.0	1384.35	G 61.0	0.54
G 16.0	1327.77	G 62.0	0.45
G 17.0	1271.17	G 63.0	0.37
G 18.0	1215.45	G 64.0	0.29
G 19.0	1162.76	G 65.0	0.23
G 20.0	1112.79	G 66.0	0.18
G 21.0	1064.68	G 67.0	0.14
G 22.0	1018.88	G 68.0	0.11
G 23.0	971.41	G 69.0	0.09
G 24.0	921.51	G 70.0	0.07
G 25.0	859.79	G 71.0	0.06
G 26.0	779.34	G 72.0	0.06
G 27.0	677.33	G 73.0	0.06
G 28.0	561.39	G 74.0	0.05
G 29.0	446.66	G 75.0	0.05
G 30.0	347.18	G 76.0	0.05
G 31.0	274.33	G 77.0	0.05
G 32.0	221.56	G 78.0	0.05
G 33.0	184.66	G 79.0	0.05
G 34.0	154.75	G 80.0	0.05
G 35.0	128.54	G 81.0	0.05
G 36.0	105.42	G 82.0	0.05
G 37.0	84.90	G 83.0	0.05
G 38.0	66.91	G 84.0	0.05
G 39.0	52.15	G 85.0	0.05
G 40.0	40.18	G 86.0	0.04
G 41.0	31.02	G 87.0	0.04
G 42.0	24.17	G 88.0	0.04
G 43.0	19.07	G 89.0	0.04
G 44.0	15.13	G 90.0	0.03
G 45.0	12.09		

Luminaria

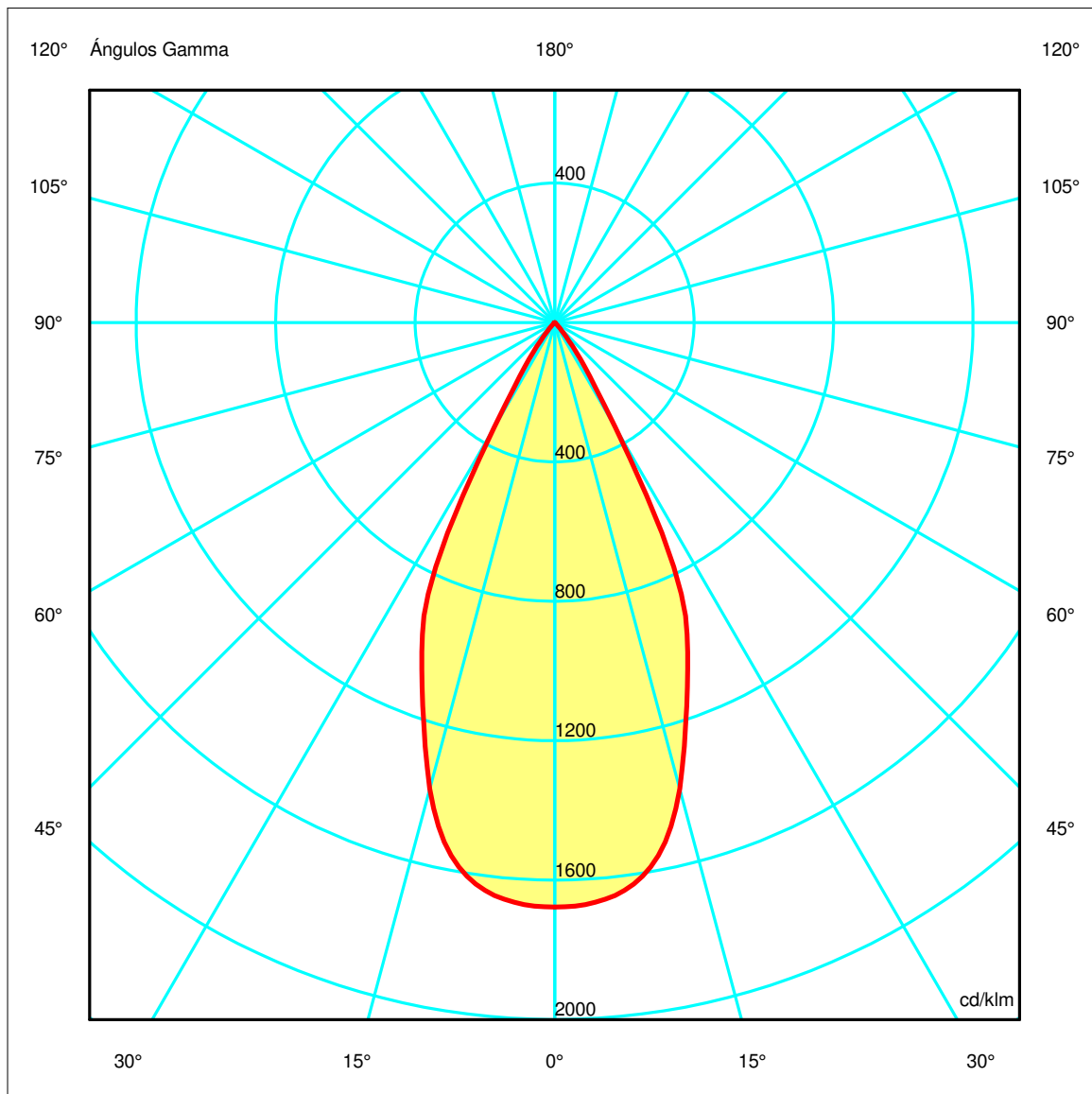
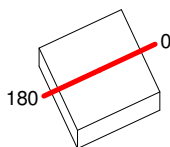
Código 90-6392
 Nombre 18 leds lineal
Ensayo
 Código 90-6392
 Nombre 18 leds lineal

Flujo Luminaria	941.92 lm	Potencia luminaria	23.20 W	Eficacia	40.60 lm/W	Eficiencia	100.00%
Flujo de Lámpara	941.92 lm	Valor Máximo	1677.15 cd/klm	Posición	C=0.00 G=0.00	CG	Rotosimétrico

100mm x 100mm

Semiplanos C

180.0  0.0



Luminaria

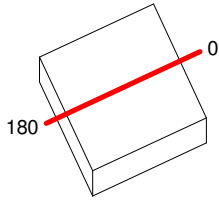
Código 90-6392
 Nombre 18 leds lineal

Ensayo

Código 90-6392
 Nombre 18 leds lineal

Flujo Luminaria	941.92 lm	Potencia luminaria	23.20 W	Eficacia	40.60 lm/W	Eficiencia	100.00%
Flujo de Lámpara	941.92 lm	Valor Máximo	1677.15 cd/klm	Posición	C=0.00 G=0.00	CG	Rotosimétrico

100mm x 100mm



Semiplanos C

180.0 0.0



Luminaria

Código 90-6392
Nombre 18 leds lineal

Ensayo

Código 90-6392
Nombre 18 leds lineal

Flujo Luminaria	941.92 lm	Potencia luminaria	23.20 W	Eficacia	40.60 lm/W	Eficiencia	100.00%
Flujo de Lámpara	941.92 lm	Valor Máximo	1677.15 cd/klm	Posición	C=0.00 G=0.00	CG	Rotosimétrico

UGR
S = 0.250

Reflectancias										
Ceiling/Cavity	0.7	0.7	0.5	0.5	0.3	0.7	0.7	0.5	0.5	0.3
Walls	0.5	0.3	0.5	0.3	0.3	0.5	0.3	0.5	0.3	0.3
WorkingPlane	0.2	0.2	0.2	0.2	0.2	0.2	0.2	0.2	0.2	0.2
RoomDimensions	ViewedCrosswise					ViewedEndwise				
x=2H y=2H	12.3	12.9	12.5	13.1	13.3	12.3	12.9	12.5	13.1	13.3
x=2H y=3H	12.2	12.8	12.4	13.0	13.2	12.2	12.8	12.4	13.0	13.2
x=2H y=4H	12.1	12.6	12.4	12.9	13.1	12.1	12.6	12.4	12.9	13.1
x=2H y=6H	12.0	12.5	12.3	12.8	13.1	12.0	12.5	12.3	12.8	13.1
x=2H y=8H	12.0	12.5	12.3	12.8	13.0	12.0	12.5	12.3	12.8	13.0
x=2H y=12H	11.9	12.4	12.3	12.7	13.0	11.9	12.4	12.3	12.7	13.0
x=4H y=2H	12.1	12.6	12.4	12.9	13.1	12.1	12.6	12.4	12.9	13.1
x=4H y=3H	11.9	12.4	12.3	12.7	13.0	11.9	12.4	12.3	12.7	13.0
x=4H y=4H	11.9	12.3	12.2	12.6	12.9	11.9	12.3	12.2	12.6	12.9
x=4H y=6H	11.8	12.1	12.2	12.5	12.8	11.8	12.1	12.2	12.5	12.8
x=4H y=8H	11.8	12.0	12.2	12.4	12.8	11.8	12.0	12.2	12.4	12.8
x=4H y=12H	11.7	12.0	12.1	12.4	12.8	11.7	12.0	12.1	12.4	12.8
x=8H y=4H	11.8	12.0	12.2	12.4	12.8	11.8	12.0	12.2	12.4	12.8
x=8H y=6H	11.7	11.9	12.1	12.3	12.7	11.7	11.9	12.1	12.3	12.7
x=8H y=8H	11.6	11.8	12.1	12.2	12.7	11.6	11.8	12.1	12.2	12.7
x=8H y=12H	11.6	11.7	12.0	12.2	12.7	11.6	11.7	12.0	12.2	12.7
x=12H y=4H	11.7	12.0	12.1	12.4	12.8	11.7	12.0	12.1	12.4	12.8
x=12H y=6H	11.6	11.8	12.1	12.2	12.7	11.6	11.8	12.1	12.2	12.7
x=12H y=8H	11.6	11.7	12.0	12.2	12.7	11.6	11.7	12.0	12.2	12.7

Luminaria

Código 90-6392
 Nombre 18 leds lineal
Ensayo
 Código 90-6392
 Nombre 18 leds lineal

Flujo Luminaria	941.92 lm	Potencia luminaria	23.20 W	Eficacia	40.60 lm/W	Eficiencia	100.00%
Flujo de Lámpara	941.92 lm	Valor Máximo	1677.15 cd/klm	Posición	C=0.00 G=0.00	CG	Rotosimétrico

Flujo Total=941.92 Flujo Luminaria=941.92

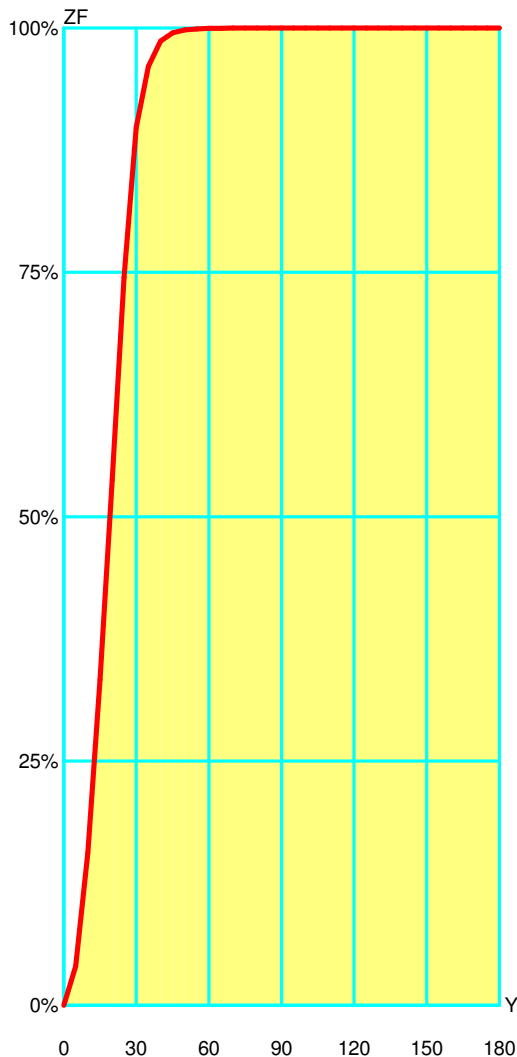
RI	0.60	0.80	1.00	1.25	1.50	2.00	2.50	3.00	4.00	5.00	10.00	20.00
DRR	0.74	0.78	0.83	0.86	0.88	0.93	0.96	0.98	0.99	1.00	1.02	1.02
RC	-	-	-	-	-	-	-	-	-	-	-	-

Flujo Zonal por 1000 Lúmenes

Y°	10	20	30	40	50	60	70	80	90	100	110	120	130	140	150	160	170	180
ZF(Y)	156	537	898	987	998	1000	1000	1000	1000	1000	1000	1000	1000	1000	1000	1000	1000	1000

Códigos de Flujo C.I.E.
 99 100 100 100 100

C.I.E.	-/-/-/-/-/-/-/-/-/-	LOR	100.00000 %
D DIN 5040	A60	ULOR	0.00000 %
F UTE	--	DLOR	100.00000 %
B NBN	BZ 1	UFF	0.00000 %
RN	0.00000 %	DFF	100.00000 %
BLF	1.0	FFR	0.00000 %



Flujo Zonal				
Gamma °	Flujo	Suma lm	Flujo [%]	Suma [%]
0°	0.00	0.00	0.00%	0.00 %
5°	39.92	39.92	3.99 %	3.99 %
10°	116.37	156.29	11.64 %	15.63 %
15°	176.85	333.14	17.68 %	33.31 %
20°	204.24	537.37	20.42 %	53.74 %
25°	207.33	744.71	20.73 %	74.47 %
30°	153.50	898.20	15.35 %	89.82 %
35°	62.54	960.74	6.25 %	96.07 %
40°	26.01	986.75	2.60 %	98.68 %
45°	8.48	995.23	0.85 %	99.52 %
50°	2.90	998.13	0.29 %	99.81 %
55°	1.02	999.15	0.10 %	99.92 %
60°	0.47	999.62	0.05 %	99.96 %
65°	0.20	999.83	0.02 %	99.98 %
70°	0.07	999.89	0.01 %	99.99 %
75°	0.03	999.92	0.00 %	99.99 %
80°	0.03	999.95	0.00 %	100.00 %
85°	0.03	999.98	0.00 %	100.00 %
90°	0.02	1000.00	0.00 %	100.00 %
95°	0.00	1000.00	0.00 %	100.00 %
100°	0.00	1000.00	0.00 %	100.00 %
105°	0.00	1000.00	0.00 %	100.00 %
110°	0.00	1000.00	0.00 %	100.00 %
115°	0.00	1000.00	0.00 %	100.00 %
120°	0.00	1000.00	0.00 %	100.00 %
125°	0.00	1000.00	0.00 %	100.00 %
130°	0.00	1000.00	0.00 %	100.00 %
135°	0.00	1000.00	0.00 %	100.00 %
140°	0.00	1000.00	0.00 %	100.00 %
145°	0.00	1000.00	0.00 %	100.00 %
150°	0.00	1000.00	0.00 %	100.00 %
155°	0.00	1000.00	0.00 %	100.00 %
160°	0.00	1000.00	0.00 %	100.00 %
165°	0.00	1000.00	0.00 %	100.00 %
170°	0.00	1000.00	0.00 %	100.00 %
175°	0.00	1000.00	0.00 %	100.00 %
180°	0.00	1000.00	0.00 %	100.00 %

Luminaria

 Código 90-6392
 Nombre 18 leds lineal

Ensayo

 Código 90-6392
 Nombre 18 leds lineal

Flujo Luminaria	941.92 lm	Potencia luminaria	23.20 W	Eficacia	40.60 lm/W	Eficiencia	100.00%
Flujo de Lámpara	941.92 lm	Valor Máximo	1677.15 cd/klm	Posición	C=0.00 G=0.00	CG	Rotosimétrico

Utilización CIE

Montaje	Directo	Normalización										Normalizados										Raz. de Susp. 1/3			CIE Estándar		
Techo																											
K	8873	8773	8871	8771	7773	7771	7753	7553	7751	7551	7731	7331	7711	7111	5551	5531	5331	5511	5111	3331	3311	1111	0000				
0.60	160	144	89	80	137	77	93	79	49	42	31	23	18	12	39	25	22	14	12	21	12	11	0				
0.80	193	177	97	90	169	86	123	107	59	52	40	32	25	19	49	33	30	21	18	28	18	16	0				
1.00	217	201	99	92	192	88	147	131	64	58	46	38	32	25	54	40	36	28	24	34	24	22	0				
1.25	240	226	100	95	215	91	172	157	70	64	53	45	40	32	60	46	43	35	31	41	31	28	0				
1.50	258	245	101	97	233	93	193	177	74	69	59	51	46	38	65	52	49	41	37	47	37	34	0				
2.00	281	270	99	95	258	92	224	209	78	74	66	60	57	49	70	60	57	51	47	55	47	44	0				
2.50	297	287	96	94	274	91	246	233	81	77	72	66	64	57	73	66	63	59	55	61	55	51	0				
3.00	308	300	95	93	287	90	263	250	82	79	76	70	70	63	76	70	68	65	61	65	61	57	0				
4.00	325	319	95	93	305	91	286	276	86	84	82	77	78	72	80	77	74	73	69	72	69	65	0				
5.00	336	331	95	94	317	92	302	293	89	87	86	82	83	78	83	81	79	79	75	77	75	71	0				
10.00	361	357	96	96	343	94	337	332	94	93	95	93	95	92	90	91	90	91	89	87	88	85	0				
20.00	374	373	98	98	358	96	357	354	98	98	100	99	102	100	95	97	96	99	98	94	96	93	0				

Pared																							
K	8873	8773	8871	8771	7773	7771	7753	7553	7751	7551	7731	7331	7711	7111	5551	5531	5331	5511	5111	3331	3311	1111	0000
0.60	276	267	186	182	262	179	206	200	145	141	121	118	104	102	140	119	118	103	102	117	102	102	79
0.80	308	298	198	194	291	190	237	229	159	155	136	133	119	116	153	133	131	117	116	130	116	115	88
1.00	322	312	194	190	303	187	252	243	160	156	139	135	124	120	153	135	133	121	119	132	119	117	87
1.25	337	328	193	190	316	186	270	260	162	159	144	140	130	125	155	139	137	126	124	135	123	121	88
1.50	348	339	191	188	325	184	282	272	163	160	147	142	133	129	155	141	139	129	126	136	125	122	87
2.00	347	339	171	168	323	164	287	277	149	146	136	132	126	121	140	129	127	120	117	123	115	111	72
2.50	340	332	149	147	314	142	284	274	131	129	122	118	114	109	122	114	112	107	104	107	102	97	55
3.00	327	320	126	125	300	120	275	266	112	109	105	101	98	93	102	96	95	91	88	89	85	79	36
4.00	318	312	104	103	290	98	270	262	93	91	88	84	84	79	83	79	77	75	73	71	68	61	16
5.00	306	301	84	83	277	78	262	254	75	73	71	68	68	64	64	62	61	60	57	53	51	44	0
10.00	233	230	0	0	202	0	196	191	0	0	0	0	0	0	0	0	0	0	0	0	0	0	0
20.00	97	95	0	0	66	0	64	62	0	0	0	0	0	0	0	0	0	0	0	0	0	0	0

P.Trab.																							
K	8873	8773	8871	8771	7773	7771	7753	7553	7751	7551	7731	7331	7711	7111	5551	5531	5331	5511	5111	3331	3311	1111	0000
0.60	913	904	852	847	898	844	830	824	799	796	769	766	747	746	794	766	765	746	745	764	745	744	737
0.80	974	963	898	892	954	888	887	878	846	842	816	812	794	791	838	812	810	791	790	808	789	788	780
1.00	1000	1000	938	933	1000	928	942	931	891	886	863	858	842	838	881	857	855	838	836	853	836	833	826
1.25	1000	1000	968	963	1000	957	987	975	925	920	900	894	880	874	914	892	890	874	872	886	870	867	859
1.50	1000	1000	989	985	1000	978	1000	1000	949	945	926	920	908	901	937	917	915	901	898	910	896	891	884
2.00	1000	1000	1000	1000	1000	1000	1000	1000	989	985	972	966	957	950	975	961	958	948	944	952	941	934	928
2.50	1000	1000	1000	1000	1000	1000	1000	1000	1000	1000	1000	1000	1000	1000	1000	996	990	983	1000	989	987	979	975
3.00	1000	1000	1000	1000	1000	1000	1000	1000	1000	1000	1000	1000	1000	1000	1000	1000	1000	1000	1000	1000	1000	1000	1000
4.00	1000	1000	1000	1000	1000	1000	1000	1000	1000	1000	1000	1000	1000	1000	1000	1000	1000	1000	1000	1000	1000	1000	1000
5.00	1000	1000	1000	1000	1000	1000	1000	1000	1000	1000	1000	1000	1000	1000	1000	1000	1000	1000	1000	1000	1000	1000	1000
10.00	1000	1000	1000	1000	1000	1000	1000	1000	1000	1000	1000	1000	1000	1000	1000	1000	1000	1000	1000	1000	1000	1000	1000
20.00	1000	1000	1000	1000	1000	1000	1000	1000	1000	1000	1000	1000	1000	1000	1000	1000	1000	1000	1000	1000	1000	1000	1000

LM53 SHR C0-C180: 0.788 SHR C90-C270: 0.788 SHR Superficial: 0.741

Luminaria

 Código 90-6392
 Nombre 18 leds lineal

Ensayo

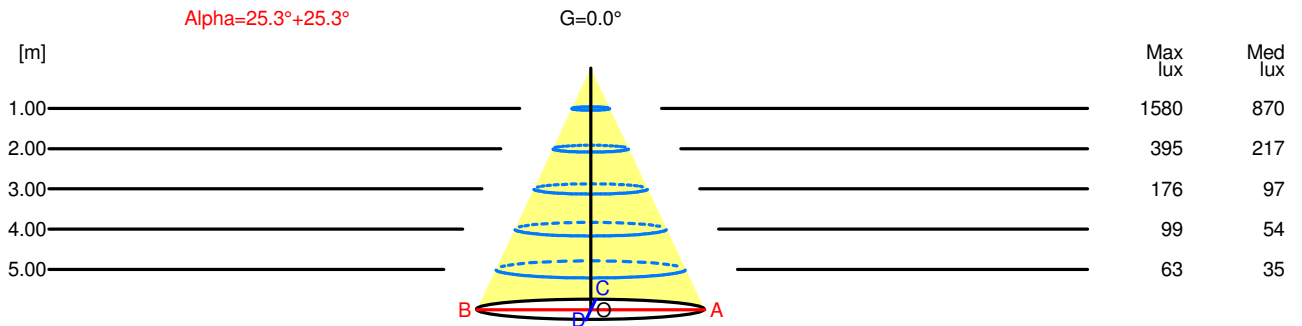
 Código 90-6392
 Nombre 18 leds lineal


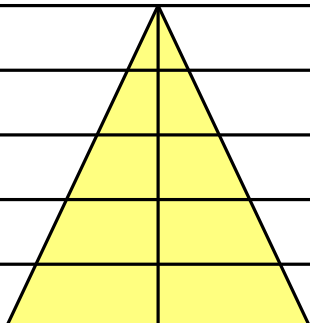
Flujo Luminaria	941.92 lm	Potencia luminaria	23.20 W	Eficacia	40.60 lm/W	Eficiencia	100.00%
Flujo de Lámpara	941.92 lm	Valor Máximo	1677.15 cd/klm	Posición	C=0.00 G=0.00	CG	Rotosimétrico

Apertura a 50.00 % de Max Intensidad

H[m]	1.00	2.00	3.00	4.00	5.00	H[m]	1.00	2.00	3.00	4.00	5.00
OA	0.47	0.94	1.42	1.89	2.36	OC	0.47	0.94	1.42	1.89	2.36
OB	0.47	0.94	1.42	1.89	2.36	OD	0.47	0.94	1.42	1.89	2.36

	Intensidades Luminosas [cd/klm]									
	0	5	15	25	35	45	55	65	75	85
OA	1579.74	1564.48	1303.94	809.85	121.07	11.39	1.38	0.22	0.05	0.04
OB	1579.74	1564.48	1303.94	809.85	121.07	11.39	1.38	0.22	0.05	0.04
OC	1579.74	1564.48	1303.94	809.85	121.07	11.39	1.38	0.22	0.05	0.04
OD	1579.74	1564.48	1303.94	809.85	121.07	11.39	1.38	0.22	0.05	0.04



H[m]	D[m]	Max lux	Med lux	Alpha=25.3°+25.3°	G=0.0	
1.00	0.94	1580	870			
2.00	1.89	395	217			
3.00	2.83	176	97			
4.00	3.78	99	54			
5.00	4.72	63	35			

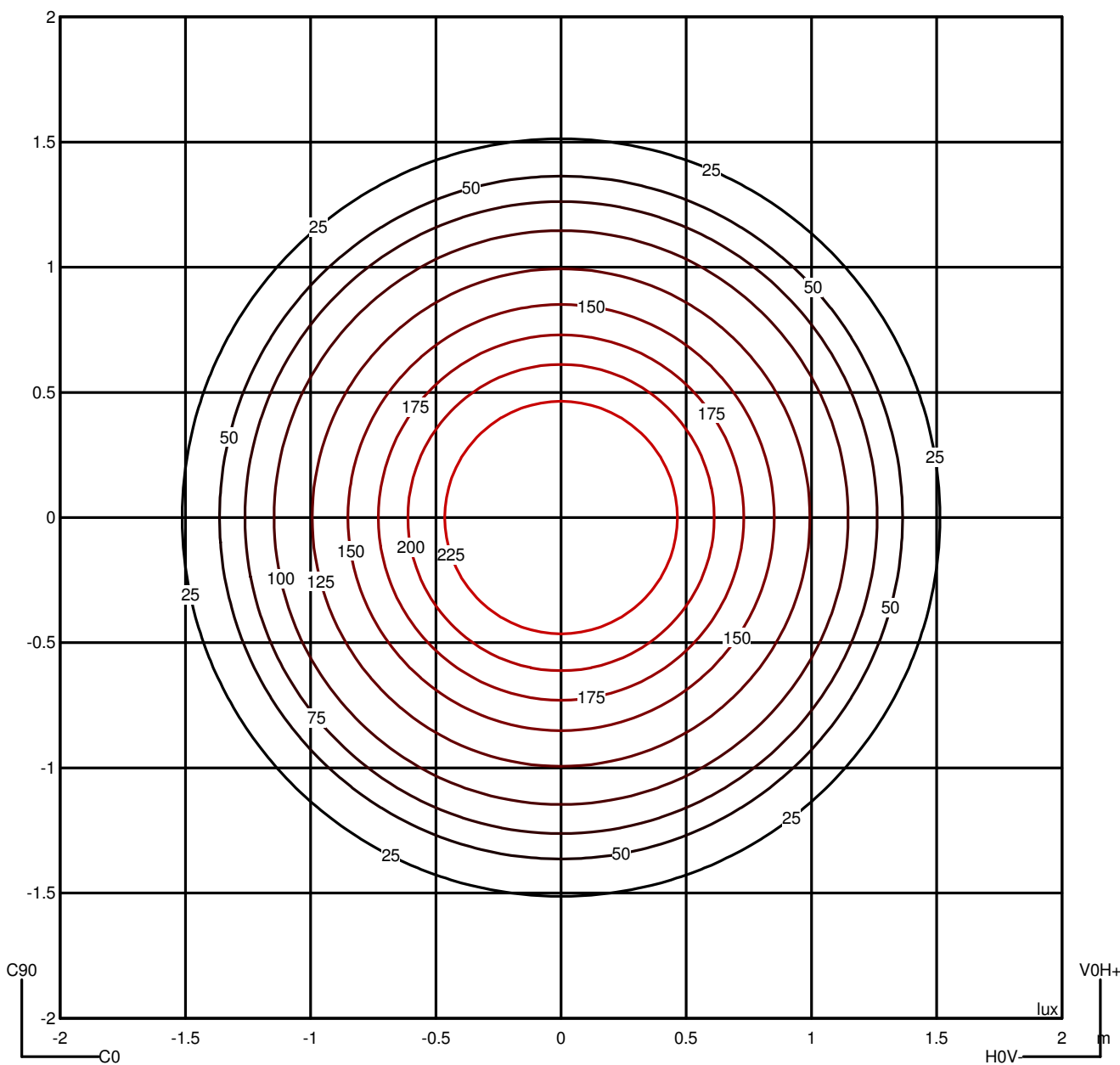
Luminaria

Código 90-6392
 Nombre 18 leds lineal
Ensayo
 Código 90-6392
 Nombre 18 leds lineal

Flujo Luminaria	941.92 lm	Potencia luminaria	23.20 W	Eficacia	40.60 lm/W	Eficiencia	100.00%
Flujo de Lámpara	941.92 lm	Valor Máximo	1677.15 cd/klm	Posición	C=0.00 G=0.00	CG	Rotosimétrico

Isolux (Suelo)

Posición Luminaria X=0.00m Y=0.00m Z=2.50m

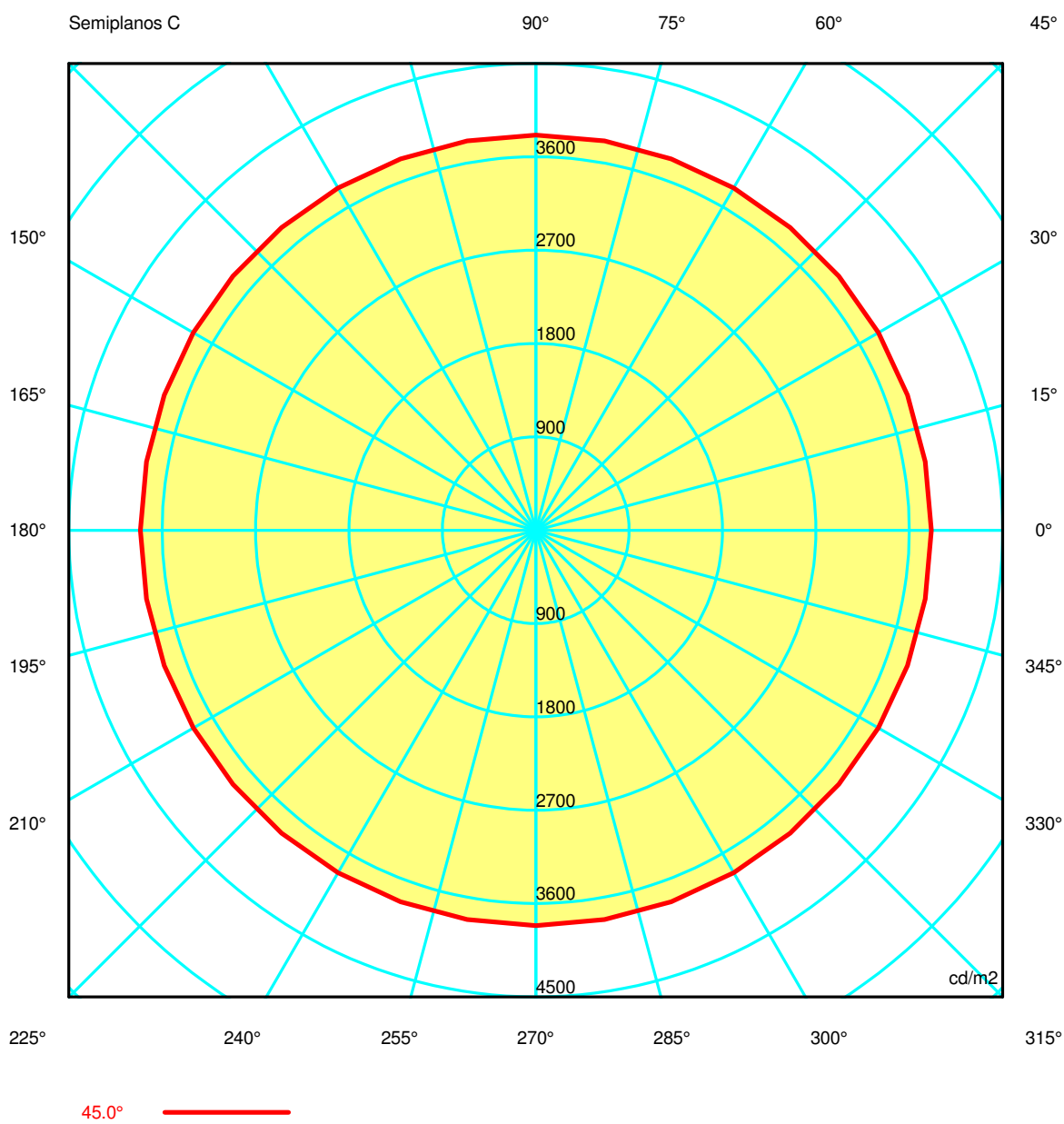


Luminaria

Código 90-6392
 Nombre 18 leds lineal
Ensayo
 Código 90-6392
 Nombre 18 leds lineal

Flujo Luminaria	941.92 lm	Potencia luminaria	23.20 W	Eficacia	40.60 lm/W	Eficiencia	100.00%
Flujo de Lámpara	941.92 lm	Valor Máximo	1677.15 cd/klm	Posición	C=0.00 G=0.00	CG	Rotosimétrico

Luminancia



Luminaria

Código 90-6392
Nombre 18 leds lineal

Ensayo

Código 90-6392
Nombre 18 leds lineal

Flujo Luminaria	941.92 lm	Potencia luminaria	23.20 W	Eficacia	40.60 lm/W	Eficiencia	100.00%
Flujo de Lámpara	941.92 lm	Valor Máximo	1677.15 cd/klm	Posición	C=0.00 G=0.00	CG	Rotosimétrico

Luminance cd/m2 Tabla 1/3

	C 0.00	C 10.00	C 20.00	C 30.00	C 40.00	C 50.00	C 60.00	C 70.00	C 80.00	C 90.00	C 100.00	C 110.00	C 120.00
G 0.0	373902.33	373902.33	373902.33	373902.33	373902.33	373902.33	373902.33	373902.33	373902.33	373902.33	373902.33	373902.33	373902.33
G 5.0	371705.50	371705.50	371705.50	371705.50	371705.50	371705.50	371705.50	371705.50	371705.50	371705.50	371705.50	371705.50	371705.50
G 10.0	358962.22	358962.22	358962.22	358962.22	358962.22	358962.22	358962.22	358962.22	358962.22	358962.22	358962.22	358962.22	358962.22
G 15.0	319512.39	319512.39	319512.39	319512.39	319512.39	319512.39	319512.39	319512.39	319512.39	319512.39	319512.39	319512.39	319512.39
G 20.0	264006.13	264006.13	264006.13	264006.13	264006.13	264006.13	264006.13	264006.13	264006.13	264006.13	264006.13	264006.13	264006.13
G 25.0	211497.23	211497.23	211497.23	211497.23	211497.23	211497.23	211497.23	211497.23	211497.23	211497.23	211497.23	211497.23	211497.23
G 30.0	89373.82	89373.82	89373.82	89373.82	89373.82	89373.82	89373.82	89373.82	89373.82	89373.82	89373.82	89373.82	89373.82
G 35.0	34982.76	34982.76	34982.76	34982.76	34982.76	34982.76	34982.76	34982.76	34982.76	34982.76	34982.76	34982.76	34982.76
G 40.0	11694.10	11694.10	11694.10	11694.10	11694.10	11694.10	11694.10	11694.10	11694.10	11694.10	11694.10	11694.10	11694.10
G 45.0	3811.84	3811.84	3811.84	3811.84	3811.84	3811.84	3811.84	3811.84	3811.84	3811.84	3811.84	3811.84	3811.84
G 50.0	1313.45	1313.45	1313.45	1313.45	1313.45	1313.45	1313.45	1313.45	1313.45	1313.45	1313.45	1313.45	1313.45
G 55.0	568.17	568.17	568.17	568.17	568.17	568.17	568.17	568.17	568.17	568.17	568.17	568.17	568.17
G 60.0	291.95	291.95	291.95	291.95	291.95	291.95	291.95	291.95	291.95	291.95	291.95	291.95	291.95
G 65.0	122.13	122.13	122.13	122.13	122.13	122.13	122.13	122.13	122.13	122.13	122.13	122.13	122.13
G 70.0	48.50	48.50	48.50	48.50	48.50	48.50	48.50	48.50	48.50	48.50	48.50	48.50	48.50
G 75.0	45.27	45.27	45.27	45.27	45.27	45.27	45.27	45.27	45.27	45.27	45.27	45.27	45.27
G 80.0	64.30	64.30	64.30	64.30	64.30	64.30	64.30	64.30	64.30	64.30	64.30	64.30	64.30
G 85.0	115.93	115.93	115.93	115.93	115.93	115.93	115.93	115.93	115.93	115.93	115.93	115.93	115.93
G 90.0	0.00	0.00	0.00	0.00	0.00	0.00	0.00	0.00	0.00	0.00	0.00	0.00	0.00

Luminaria

Código 90-6392
Nombre 18 leds lineal

Ensayo

Código 90-6392
Nombre 18 leds lineal

Flujo Luminaria	941.92 lm	Potencia luminaria	23.20 W	Eficacia	40.60 lm/W	Eficiencia	100.00%
Flujo de Lámpara	941.92 lm	Valor Máximo	1677.15 cd/klm	Posición	C=0.00 G=0.00	CG	Rotosimétrico

Luminance cd/m2 Tabla 2/3

	C 130.00	C 140.00	C 150.00	C 160.00	C 170.00	C 180.00	C 190.00	C 200.00	C 210.00	C 220.00	C 230.00	C 240.00	C 250.00
G 0.0	373902.33	373902.33	373902.33	373902.33	373902.33	373902.33	373902.33	373902.33	373902.33	373902.33	373902.33	373902.33	373902.33
G 5.0	371705.50	371705.50	371705.50	371705.50	371705.50	371705.50	371705.50	371705.50	371705.50	371705.50	371705.50	371705.50	371705.50
G 10.0	358962.22	358962.22	358962.22	358962.22	358962.22	358962.22	358962.22	358962.22	358962.22	358962.22	358962.22	358962.22	358962.22
G 15.0	319512.39	319512.39	319512.39	319512.39	319512.39	319512.39	319512.39	319512.39	319512.39	319512.39	319512.39	319512.39	319512.39
G 20.0	264006.13	264006.13	264006.13	264006.13	264006.13	264006.13	264006.13	264006.13	264006.13	264006.13	264006.13	264006.13	264006.13
G 25.0	211497.23	211497.23	211497.23	211497.23	211497.23	211497.23	211497.23	211497.23	211497.23	211497.23	211497.23	211497.23	211497.23
G 30.0	89373.82	89373.82	89373.82	89373.82	89373.82	89373.82	89373.82	89373.82	89373.82	89373.82	89373.82	89373.82	89373.82
G 35.0	34982.76	34982.76	34982.76	34982.76	34982.76	34982.76	34982.76	34982.76	34982.76	34982.76	34982.76	34982.76	34982.76
G 40.0	11694.10	11694.10	11694.10	11694.10	11694.10	11694.10	11694.10	11694.10	11694.10	11694.10	11694.10	11694.10	11694.10
G 45.0	3811.84	3811.84	3811.84	3811.84	3811.84	3811.84	3811.84	3811.84	3811.84	3811.84	3811.84	3811.84	3811.84
G 50.0	1313.45	1313.45	1313.45	1313.45	1313.45	1313.45	1313.45	1313.45	1313.45	1313.45	1313.45	1313.45	1313.45
G 55.0	568.17	568.17	568.17	568.17	568.17	568.17	568.17	568.17	568.17	568.17	568.17	568.17	568.17
G 60.0	291.95	291.95	291.95	291.95	291.95	291.95	291.95	291.95	291.95	291.95	291.95	291.95	291.95
G 65.0	122.13	122.13	122.13	122.13	122.13	122.13	122.13	122.13	122.13	122.13	122.13	122.13	122.13
G 70.0	48.50	48.50	48.50	48.50	48.50	48.50	48.50	48.50	48.50	48.50	48.50	48.50	48.50
G 75.0	45.27	45.27	45.27	45.27	45.27	45.27	45.27	45.27	45.27	45.27	45.27	45.27	45.27
G 80.0	64.30	64.30	64.30	64.30	64.30	64.30	64.30	64.30	64.30	64.30	64.30	64.30	64.30
G 85.0	115.93	115.93	115.93	115.93	115.93	115.93	115.93	115.93	115.93	115.93	115.93	115.93	115.93
G 90.0	0.00	0.00	0.00	0.00	0.00	0.00	0.00	0.00	0.00	0.00	0.00	0.00	0.00

Luminaria

Código 90-6392
Nombre 18 leds lineal

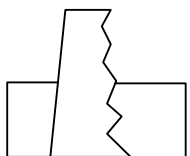
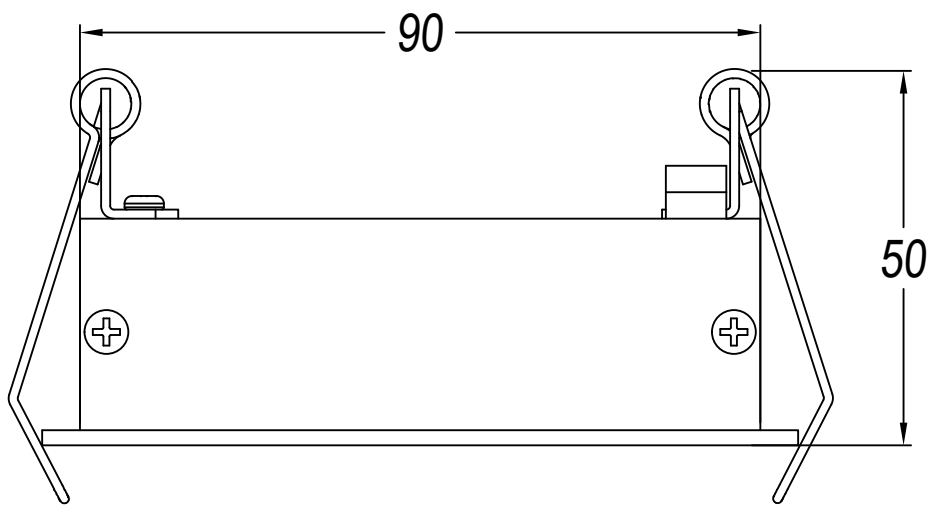
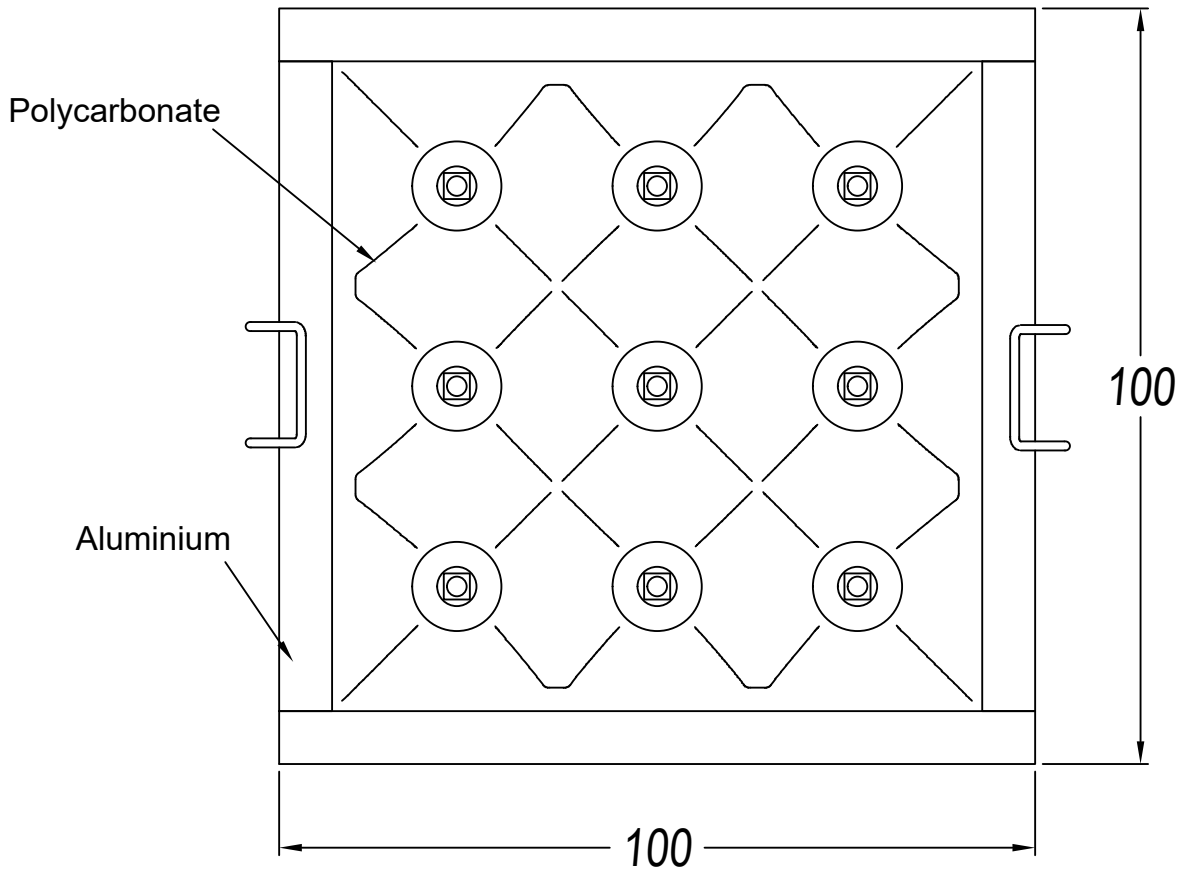
Ensayo

Código 90-6392
Nombre 18 leds lineal

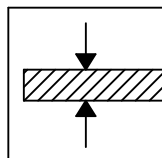
Flujo Luminaria	941.92 lm	Potencia luminaria	23.20 W	Eficacia	40.60 lm/W	Eficiencia	100.00%
Flujo de Lámpara	941.92 lm	Valor Máximo	1677.15 cd/klm	Posición	C=0.00 G=0.00	CG	Rotosimétrico

Luminance cd/m2 Tabla 3/3

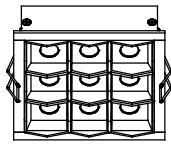
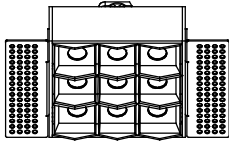
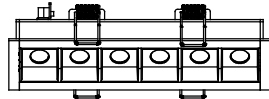
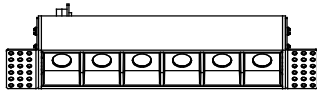
	C 260.00	C 270.00	C 280.00	C 290.00	C 300.00	C 310.00	C 320.00	C 330.00	C 340.00	C 350.00
G 0.0	373902.33	373902.33	373902.33	373902.33	373902.33	373902.33	373902.33	373902.33	373902.33	373902.33
G 5.0	371705.50	371705.50	371705.50	371705.50	371705.50	371705.50	371705.50	371705.50	371705.50	371705.50
G 10.0	358962.22	358962.22	358962.22	358962.22	358962.22	358962.22	358962.22	358962.22	358962.22	358962.22
G 15.0	319512.39	319512.39	319512.39	319512.39	319512.39	319512.39	319512.39	319512.39	319512.39	319512.39
G 20.0	264006.13	264006.13	264006.13	264006.13	264006.13	264006.13	264006.13	264006.13	264006.13	264006.13
G 25.0	211497.23	211497.23	211497.23	211497.23	211497.23	211497.23	211497.23	211497.23	211497.23	211497.23
G 30.0	89373.82	89373.82	89373.82	89373.82	89373.82	89373.82	89373.82	89373.82	89373.82	89373.82
G 35.0	34982.76	34982.76	34982.76	34982.76	34982.76	34982.76	34982.76	34982.76	34982.76	34982.76
G 40.0	11694.10	11694.10	11694.10	11694.10	11694.10	11694.10	11694.10	11694.10	11694.10	11694.10
G 45.0	3811.84	3811.84	3811.84	3811.84	3811.84	3811.84	3811.84	3811.84	3811.84	3811.84
G 50.0	1313.45	1313.45	1313.45	1313.45	1313.45	1313.45	1313.45	1313.45	1313.45	1313.45
G 55.0	568.17	568.17	568.17	568.17	568.17	568.17	568.17	568.17	568.17	568.17
G 60.0	291.95	291.95	291.95	291.95	291.95	291.95	291.95	291.95	291.95	291.95
G 65.0	122.13	122.13	122.13	122.13	122.13	122.13	122.13	122.13	122.13	122.13
G 70.0	48.50	48.50	48.50	48.50	48.50	48.50	48.50	48.50	48.50	48.50
G 75.0	45.27	45.27	45.27	45.27	45.27	45.27	45.27	45.27	45.27	45.27
G 80.0	64.30	64.30	64.30	64.30	64.30	64.30	64.30	64.30	64.30	64.30
G 85.0	115.93	115.93	115.93	115.93	115.93	115.93	115.93	115.93	115.93	115.93
G 90.0	0.00	0.00	0.00	0.00	0.00	0.00	0.00	0.00	0.00	0.00



95x95



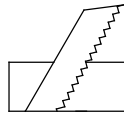
0-18mm



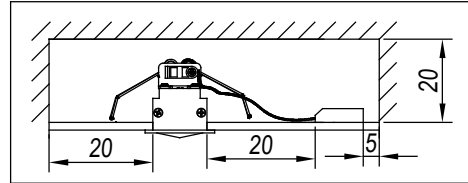
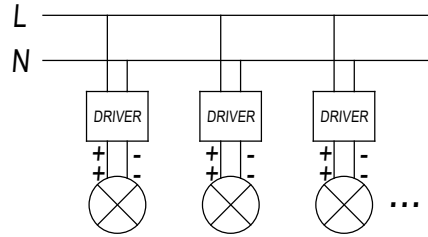
TRIMLESS

- 3LEDS: 36x84mm
- 6LEDS: 36x164mm
- 12LEDS: 36x323mm
- 18LEDS: 36x482mm
- 3X3LEDS: 90x90mm

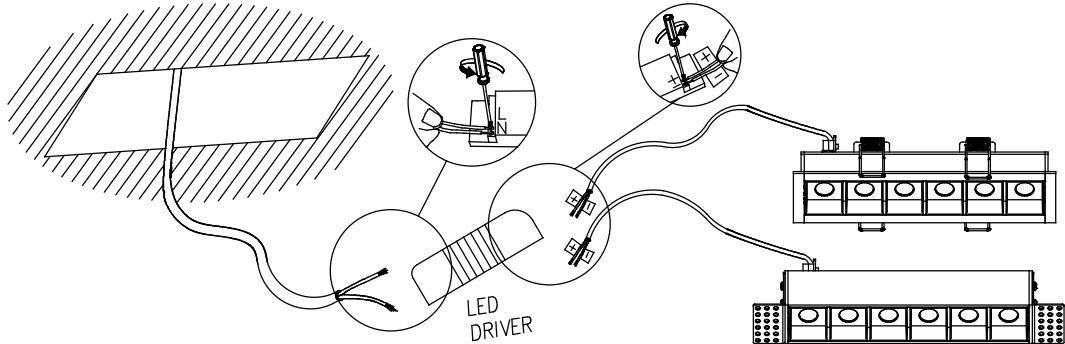
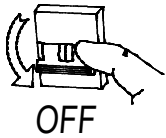
TRIM



- 3LEDS: 40x88mm
- 6LEDS: 40x168mm
- 12LEDS: 40x328mm
- 18LEDS: 40x486mm
- 3X3LEDS: 95x95mm

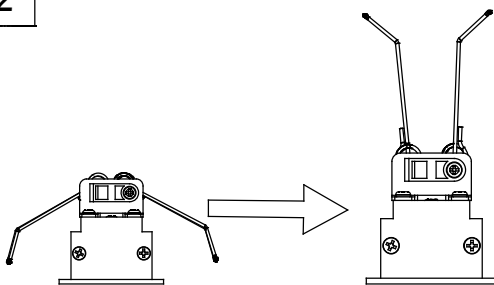


1

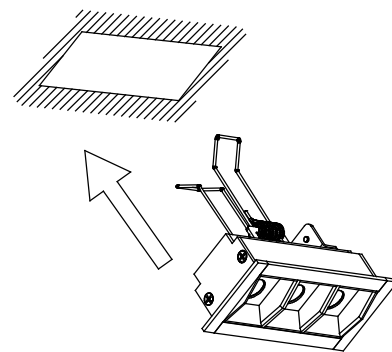


TRIM/CON MARCO

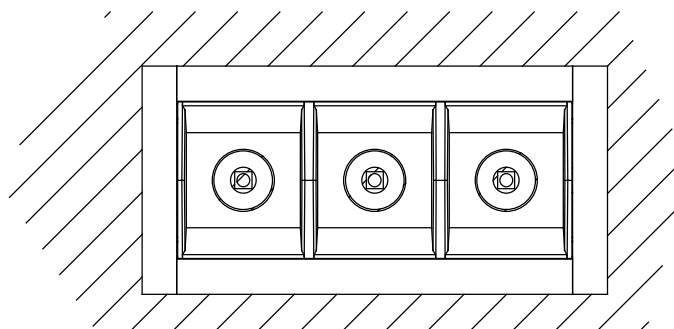
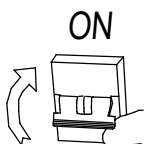
2



3



4



TRIMLESS/SIN MARCO

