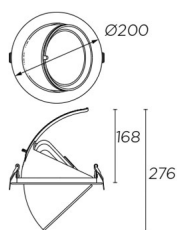


## OUT L

### 90-4776-14-37

Downlight OUT L 44.8W 3000K CRI 80 White IP20 3866lm

#### TECHNICAL FEATURES



**Power (W) :** 44.8W  
**Raw lumens :** 3866  
**Raw lm/W :** 88  
**Colour temperature :** LED warm-white 3000K  
**Structure material :** Aluminium  
**Structure finish :** White  
**Diffuser material :** Glass  
**Diffuser finish :** Transparent  
**Useful life :** 50.000h L80B20

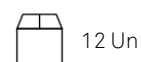
**Equipment necessary but not included :**  
**Voltage / frequency :** max. 1200mA  
**Warranty :** 2 Years  
**Max. temperature :** 25°C  
**Energy efficiency :** LED A++

#### LUMINOTECHNIC FEATURES

**Light source:** LED CREE  
**CRI:** 80  
**MacAdam steps:** 2  
**Photobiological risk:** RG1

#### LOGISTICS

**Net weight (kg):** 1.31  
**Packaged weight (kg):** 1.65  
**Packaging:** 215mm x 215mm x 190mm





71-5631-14-00

White face ring

Structure material: Polycarbonate

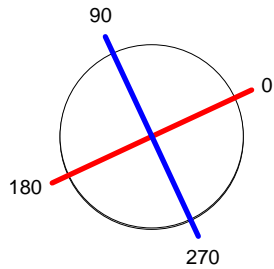
Dimensions: 145 x NA x 25

Net weight (kg): 0.03

<b>Luminaire</b>		<b>Measur.</b>		<b>Lamp</b>	
Code	90-4776	Code	90-4770	Code	L4776 44.8W 80 3000K
Name	Downlight OUT 830 30° 44.8W	Name	Downlight OUT 840 30° 40.9W	Number	1
Line	- LEDS C4 LEDS	Date	15-10-2014	Position	Universal
Efficiency	100.00%	Coordinate system	CG	Total Flux	3865.53 lm
Maximum value	11037.62 cd	Position	C=0.00 G=0.00	Double Symmetrical	
Round Recessed Luminaire	Diam.	200 mm	Height	3 mm	
Round Luminous Area	Diam.	135 mm	Height	0 mm	
Horizontal Luminous Area	0.014314 m2	Emitting area on Plane 180°	0.000000 m2		
Emitting area on Plane 0°	0.000000 m2	Emitting area on Plane 270°	0.000000 m2		
Emitting area on Plane 90°	0.000000 m2	Glare area at 76°	0.003463 m2		
Symmetry Type	Double Symmetrical	Maximum Gamma Angle	90		
Measurement Distance	6.44	Measurement Flux	3005.02 lm		
Operator	Asselum T2	Source voltage	230.00 V		
Temperature	22.00 °C	Source current			
Humidity	59.00 %	Photocell	Prc		
Notes					

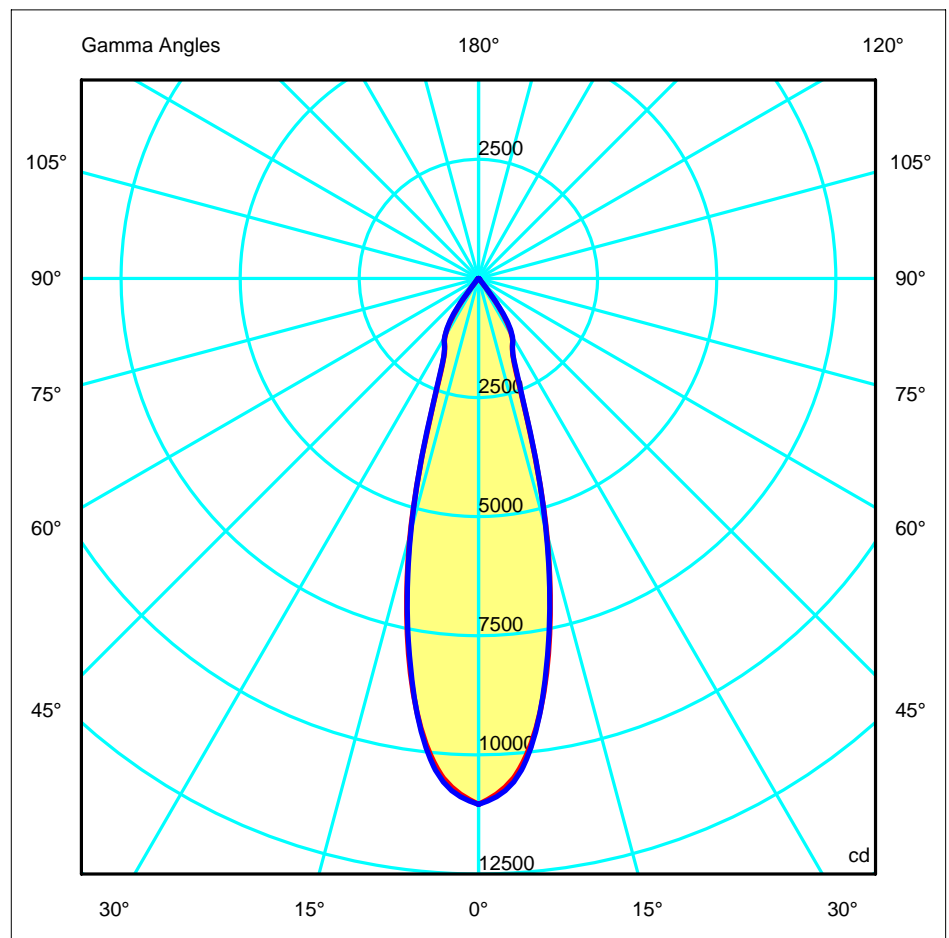
Luminaire Lamps						
Line	Code	Name	Flux [lm]	Pow. [W]	Q.ty	
- LEDS C4 LEDS	L4776 44.8W 80 3000K	Lámpara leds 44.8W 3000K 30°	3865.53	45.00	1	
C.I.E.	99	100	100	100	100	D DIN 5040
F UTE	--					A60 B NBN BZ 1

Diam=200mm Incasso



C Halfplanes  
 180.0 — 0.0  
 270.0 — 90.0

ULOR 0.00 %  
 DLOR 100.00 %  
 RN 0.00 %



<b>Luminaire</b>		<b>Measur.</b>		<b>Lamp</b>	
Code	90-4776	Code	90-4770	Code	L4776 44.8W 80 3000K
Name	Downlight OUT 830 30° 44.8W	Name	Downlight OUT 840 30° 40.9W	Number	1
Line	- LEDS C4 LEDS	Date	15-10-2014	Position	Universal

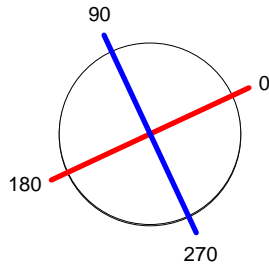
Efficiency	100.00%	Coordinate system	CG	Total Flux	3865.53 lm
------------	---------	-------------------	----	------------	------------

		Luminous Intensity Table cd				Table 1/1		
		C 0.00	C 15.00	C 30.00	C 45.00	C 60.00	C 75.00	C 90.00
G 0.0	11037.62	11037.62	11037.62	11037.62	11037.62	11037.62	11037.62	11037.62
G 5.0	10277.92	10424.39	10424.80	10350.73	10349.78	10316.13	10358.40	10358.40
G 10.0	8289.94	8223.01	8370.48	8171.05	8219.46	8159.47	8245.06	8245.06
G 15.0	5517.53	5570.86	5710.30	5480.85	5507.05	5445.48	5478.42	5478.42
G 20.0	2722.87	2797.23	2775.82	2872.69	2749.00	2863.68	2762.58	2762.58
G 25.0	1684.34	1724.51	1717.05	1690.77	1686.35	1703.36	1695.28	1695.28
G 30.0	1412.27	1433.44	1437.73	1437.07	1423.21	1437.39	1433.19	1433.19
G 35.0	799.92	751.25	854.30	787.29	831.80	811.54	889.83	889.83
G 40.0	110.57	182.06	137.13	153.46	125.11	153.31	127.26	127.26
G 45.0	49.46	54.57	52.37	51.23	50.32	50.82	50.55	50.55
G 50.0	31.02	31.43	32.65	31.50	31.02	31.71	30.84	30.84
G 55.0	18.44	18.81	19.67	18.68	18.45	18.59	18.35	18.35
G 60.0	9.98	10.63	10.59	10.61	10.45	10.64	10.74	10.74
G 65.0	6.33	6.37	6.53	6.34	6.21	6.33	6.16	6.16
G 70.0	4.17	4.37	4.29	4.23	4.22	4.18	4.20	4.20
G 75.0	2.58	2.58	2.64	2.48	2.44	2.45	2.35	2.35
G 80.0	1.32	1.32	1.34	1.27	1.18	1.15	1.09	1.09
G 85.0	0.39	0.53	0.44	0.47	0.38	0.45	0.40	0.40
G 90.0	0.36	0.37	0.34	0.33	0.33	0.33	0.34	0.34



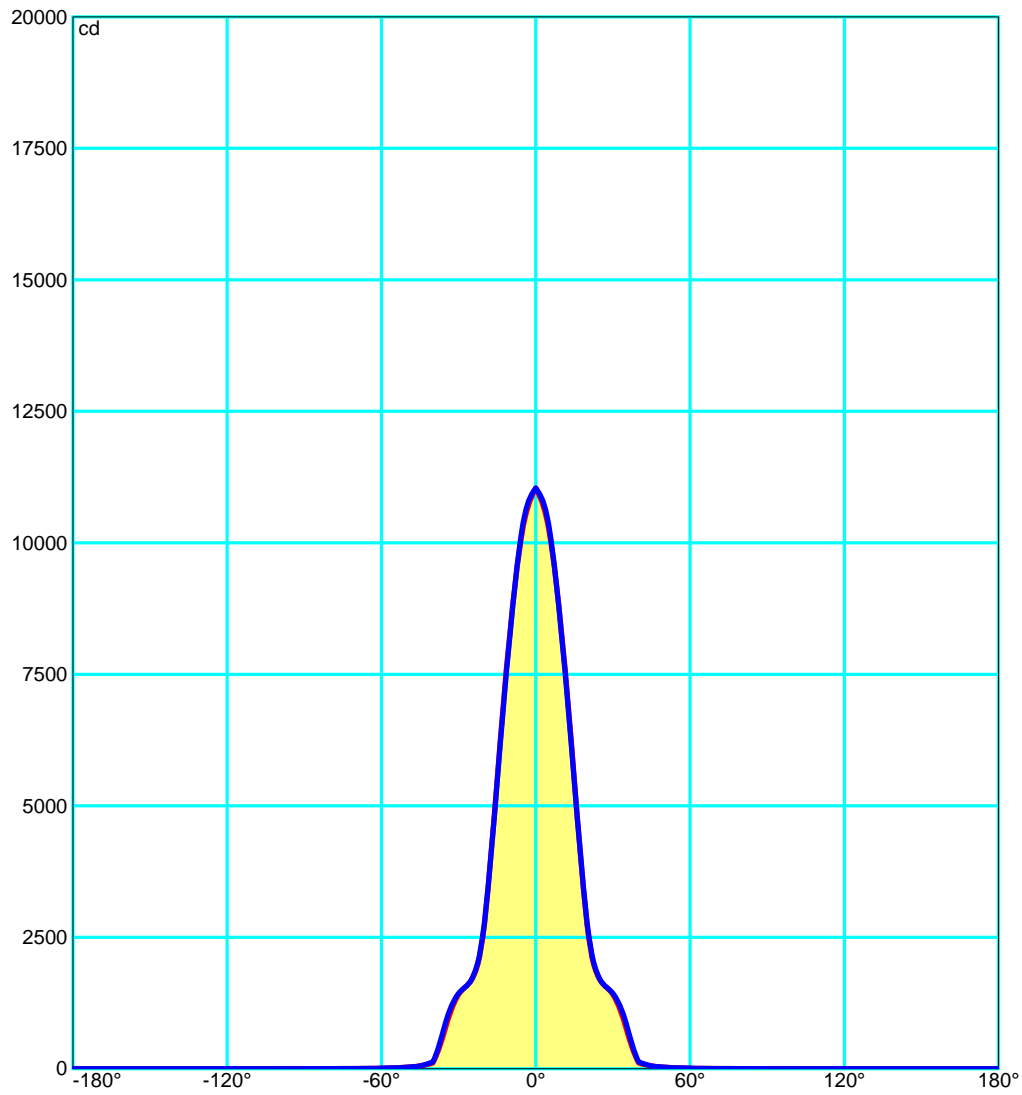
<b>Luminaire</b>		<b>Measur.</b>		<b>Lamp</b>	
Code	90-4776	Code	90-4770	Code	L4776 44.8W 80 3000K
Name	Downlight OUT 830 30° 44.8W	Name	Downlight OUT 840 30° 40.9W	Number	1
Line	- LEDS C4 LEDS	Date	15-10-2014	Position	Universal
Efficiency	100.00%	Coordinate system	CG	Total Flux	3865.53 lm

Diam=200mm Incasso



C Halfplanes

180.0 ———— 0.0  
270.0 ———— 90.0



<b>Luminaire</b>		<b>Measur.</b>		<b>Lamp</b>	
Code	90-4776	Code	90-4770	Code	L4776 44.8W 80 3000K
Name	Downlight OUT 830 30° 44.8W	Name	Downlight OUT 840 30° 40.9W	Number	1
Line	- LEDS C4 LEDS	Date	15-10-2014	Position	Universal
Efficiency	100.00%	Coordinate system	CG	Total Flux	3865.53 lm

**UGR**  
S = 0.250

Reflectancies										
Ceiling/Cavity	0.7	0.7	0.5	0.5	0.3	0.7	0.7	0.5	0.5	0.3
Walls	0.5	0.3	0.5	0.3	0.3	0.5	0.3	0.5	0.3	0.3
WorkingPlane	0.2	0.2	0.2	0.2	0.2	0.2	0.2	0.2	0.2	0.2
RoomDimensions	ViewedCrosswise					ViewedEndwise				
x=2H y=2H	15.7	16.4	16.0	16.6	17.0	15.9	16.6	16.2	16.7	17.0
x=2H y=3H	15.6	16.2	15.9	16.4	16.8	15.8	16.4	16.1	16.6	16.8
x=2H y=4H	15.5	16.1	15.8	16.3	16.8	15.7	16.3	16.0	16.5	16.8
x=2H y=6H	15.5	16.0	15.8	16.2	16.7	15.7	16.2	16.0	16.4	16.7
x=2H y=8H	15.4	15.9	15.8	16.2	16.7	15.6	16.1	16.0	16.4	16.7
x=2H y=12H	15.4	15.9	15.7	16.2	16.7	15.6	16.0	15.9	16.4	16.7
x=4H y=2H	15.5	16.1	15.8	16.3	16.8	15.7	16.3	16.0	16.5	16.8
x=4H y=3H	15.4	15.9	15.7	16.2	16.7	15.6	16.1	15.9	16.4	16.7
x=4H y=4H	15.3	15.7	15.7	16.1	16.6	15.5	15.9	15.9	16.3	16.6
x=4H y=6H	15.3	15.6	15.7	15.9	16.5	15.5	15.8	15.9	16.1	16.5
x=4H y=8H	15.2	15.5	15.6	15.9	16.5	15.4	15.7	15.8	16.1	16.5
x=4H y=12H	15.2	15.4	15.6	15.8	16.5	15.4	15.6	15.8	16.0	16.5
x=8H y=4H	15.2	15.5	15.6	15.9	16.5	15.4	15.7	15.8	16.1	16.5
x=8H y=6H	15.1	15.4	15.6	15.8	16.4	15.3	15.6	15.8	16.0	16.4
x=8H y=8H	15.1	15.3	15.6	15.7	16.4	15.3	15.5	15.8	15.9	16.4
x=8H y=12H	15.1	15.2	15.5	15.6	16.3	15.2	15.4	15.7	15.8	16.3
x=12H y=4H	15.2	15.4	15.6	15.8	16.5	15.4	15.6	15.8	16.0	16.5
x=12H y=6H	15.1	15.3	15.6	15.7	16.4	15.3	15.5	15.8	15.9	16.4
x=12H y=8H	15.1	15.2	15.5	15.6	16.3	15.2	15.4	15.7	15.8	16.3

<b>Luminaire</b>		<b>Measur.</b>		<b>Lamp</b>	
Code	90-4776	Code	90-4770	Code	L4776 44.8W 80 3000K
Name	Downlight OUT 830 30° 44.8W	Name	Downlight OUT 840 30° 40.9W	Number	1
Line	- LEDS C4 LEDS	Date	15-10-2014	Position	Universal
Efficiency	100.00%	Coordinate system	CG	Total Flux	3865.53 lm

Total Flux=3865.53 Luminaire Flux=3865.52

RI	0.60	0.80	1.00	1.25	1.50	2.00	2.50	3.00	4.00	5.00	10.00	20.00
DRR	0.73	0.78	0.82	0.86	0.88	0.93	0.95	0.97	0.99	1.00	1.02	1.02
RC	-	-	-	-	-	-	-	-	-	-	-	-

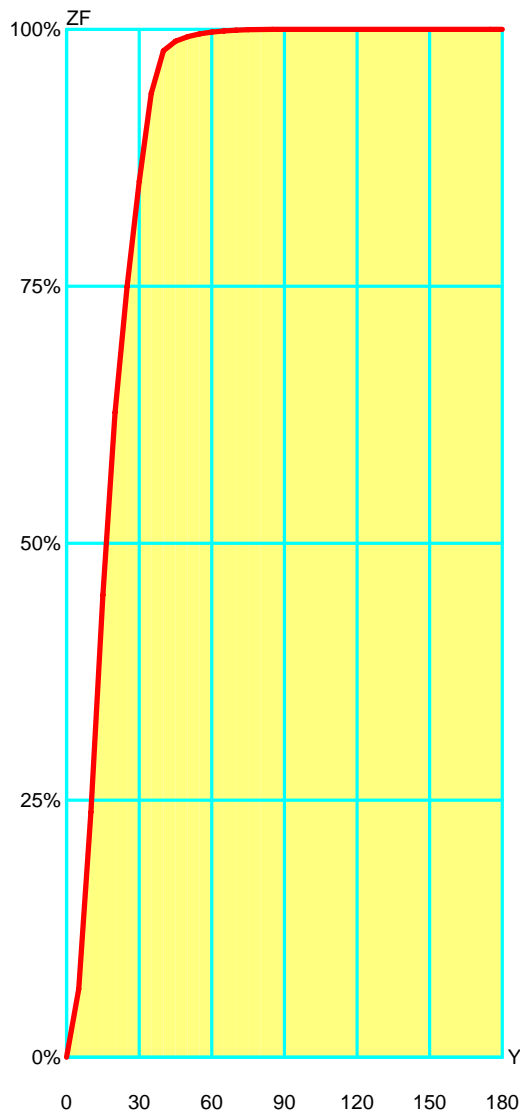
Zonal Flux per 1000 Lumen

Y°	10	20	30	40	50	60	70	80	90	100	110	120	130	140	150	160	170	180
ZF(Y)	238	627	852	979	993	997	999	1000	1000	1000	1000	1000	1000	1000	1000	1000	1000	1000

CIE Flux Codes

99 100 100 100 100

C.I.E.	-/-/-/-/-/-/-/-/-/-	LOR	99.99983 %
D DIN 5040	A60	ULOR	0.00000 %
F UTE	--	DLOR	99.99983 %
B NBN	BZ 1	UFF	0.00000 %
RN	0.00000 %	DFF	100.00000 %
BLF	1.0	FFR	0.00000 %



Zonal Flux				
Gamma °	Flux	Sum lm	Flux [%]	Sum [%]
0°	0.00	0.00	0.00%	0.00 %
5°	66.19	66.19	6.62 %	6.62 %
10°	172.12	238.31	17.21 %	23.83 %
15°	211.32	449.63	21.13 %	44.96 %
20°	177.72	627.35	17.77 %	62.73 %
25°	122.16	749.50	12.22 %	74.95 %
30°	102.60	852.10	10.26 %	85.21 %
35°	85.54	937.64	8.55 %	93.76 %
40°	41.37	979.01	4.14 %	97.90 %
45°	9.41	988.43	0.94 %	98.84 %
50°	4.34	992.77	0.43 %	99.28 %
55°	2.83	995.60	0.28 %	99.56 %
60°	1.75	997.35	0.18 %	99.74 %
65°	1.06	998.41	0.11 %	99.84 %
70°	0.69	999.11	0.07 %	99.91 %
75°	0.46	999.56	0.05 %	99.96 %
80°	0.26	999.82	0.03 %	99.98 %
85°	0.12	999.94	0.01 %	99.99 %
90°	0.06	1000.00	0.01 %	100.00 %
95°	0.00	1000.00	0.00 %	100.00 %
100°	0.00	1000.00	0.00 %	100.00 %
105°	0.00	1000.00	0.00 %	100.00 %
110°	0.00	1000.00	0.00 %	100.00 %
115°	0.00	1000.00	0.00 %	100.00 %
120°	0.00	1000.00	0.00 %	100.00 %
125°	0.00	1000.00	0.00 %	100.00 %
130°	0.00	1000.00	0.00 %	100.00 %
135°	0.00	1000.00	0.00 %	100.00 %
140°	0.00	1000.00	0.00 %	100.00 %
145°	0.00	1000.00	0.00 %	100.00 %
150°	0.00	1000.00	0.00 %	100.00 %
155°	0.00	1000.00	0.00 %	100.00 %
160°	0.00	1000.00	0.00 %	100.00 %
165°	0.00	1000.00	0.00 %	100.00 %
170°	0.00	1000.00	0.00 %	100.00 %
175°	0.00	1000.00	0.00 %	100.00 %
180°	0.00	1000.00	0.00 %	100.00 %

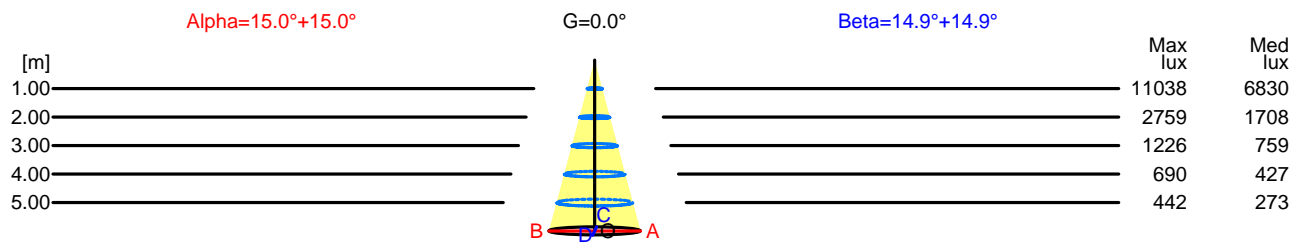



<b>Luminaire</b>		<b>Measur.</b>		<b>Lamp</b>	
Code	90-4776	Code	90-4770	Code	L4776 44.8W 80 3000K
Name	Downlight OUT 830 30° 44.8W	Name	Downlight OUT 840 30° 40.9W	Number	1
Line	- LEDS C4 LEDS	Date	15-10-2014	Position	Universal
Efficiency	100.00%	Coordinate system	CG	Total Flux	3865.53 lm


Width at 50.00 % of Max Intensity

H[m]	1.00	2.00	3.00	4.00	5.00	H[m]	1.00	2.00	3.00	4.00	5.00
OA	0.27	0.54	0.80	1.07	1.34	OC	0.27	0.53	0.80	1.07	1.33
OB	0.27	0.54	0.80	1.07	1.34	OD	0.27	0.53	0.80	1.07	1.33

	Luminous Intensities [ cd ]									
	0	5	15	25	35	45	55	65	75	85
OA	11037.62	10277.92	5517.53	1684.34	799.92	49.46	18.44	6.33	2.58	0.39
OB	11037.62	10277.92	5517.53	1684.34	799.92	49.46	18.44	6.33	2.58	0.39
OC	11037.62	10358.40	5478.42	1695.28	889.83	50.55	18.35	6.16	2.35	0.40
OD	11037.62	10358.40	5478.42	1695.28	889.83	50.55	18.35	6.16	2.35	0.40



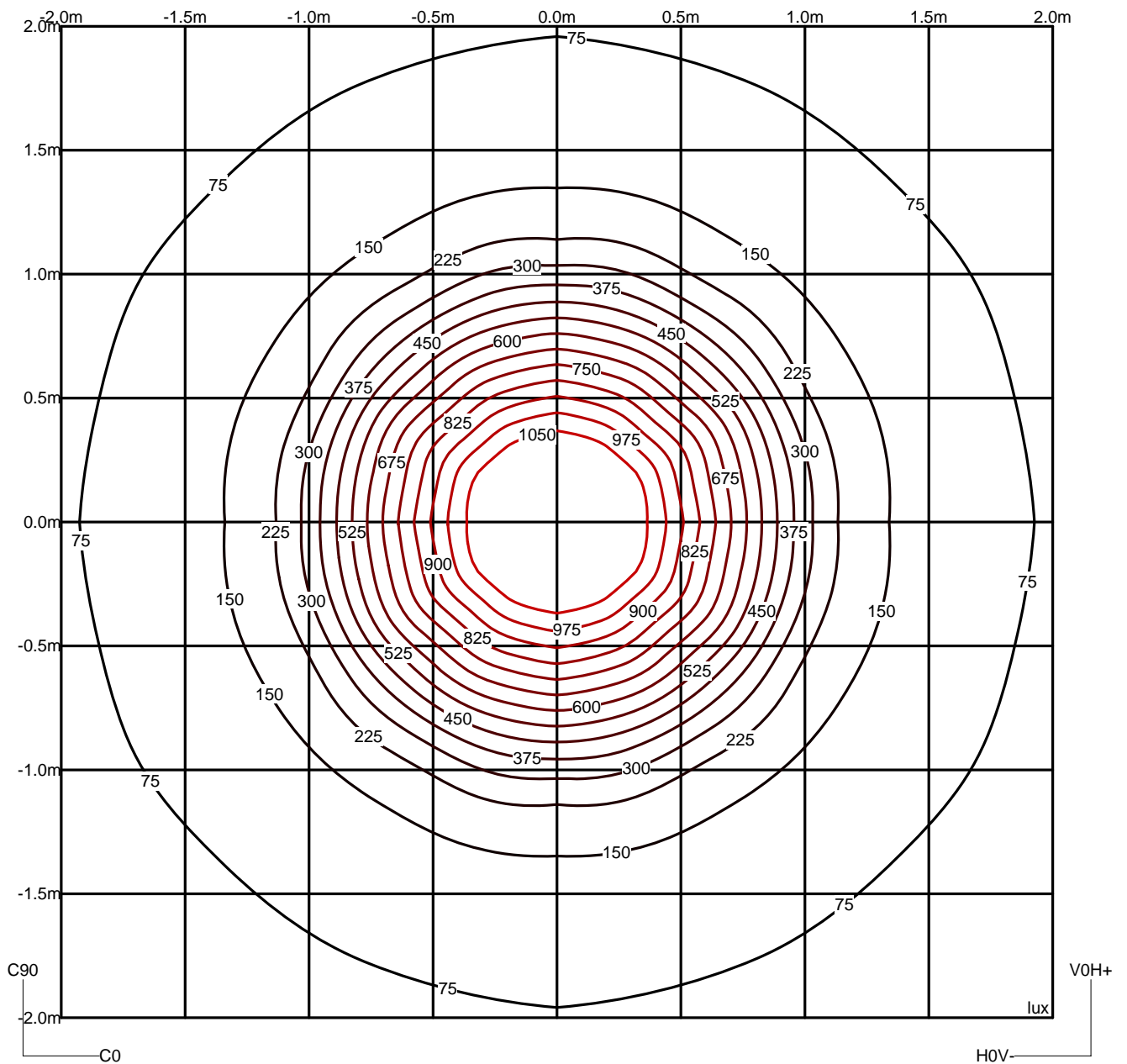
H[m]	D[m]	Max lux	Med lux	Alpha=15.0°+15.0°	G=0.0	
1.00	0.54	11038	6830			
2.00	1.07	2759	1708			
3.00	1.61	1226	759			
4.00	2.14	690	427			
5.00	2.68	442	273			

H[m]	D[m]	Max lux	Med lux	Beta=14.9°+14.9°	G=0.0	
1.00	0.53	11038	6830			
2.00	1.07	2759	1708			
3.00	1.60	1226	759			
4.00	2.13	690	427			
5.00	2.67	442	273			

<b>Luminaire</b>		<b>Measur.</b>		<b>Lamp</b>	
Code	90-4776	Code	90-4770	Code	L4776 44.8W 80 3000K
Name	Downlight OUT 830 30° 44.8W	Name	Downlight OUT 840 30° 40.9W	Number	1
Line	- LEDS C4 LEDS	Date	15-10-2014	Position	Universal
Efficiency	100.00%	Coordinate system	CG	Total Flux	3865.53 lm

Isolux (Floor)

Luminaire position X=0.00m Y=0.00m Z=3.00m



<b>Luminaire</b>	<b>Measur.</b>	<b>Lamp</b>
Code 90-4776	Code 90-4770	Code L4776 44.8W 80 3000K
Name Downlight OUT 830 30° 44.8W	Name Downlight OUT 840 30° 40.9W	Number 1
Line - LEDS C4 LEDS	Date 15-10-2014	Position Universal
Efficiency 100.00%	Coordinate system CG	Total Flux 3865.53 lm

Utilizations CIE

Mounting	Direct	Normalization										Suspension Ratio					Standard CIE Settings							
		8873	8773	8871	8771	7773	7771	7753	7553	7751	7551	7731	7331	7711	7111	5551	5531	5331	5511	5111	3331	3311	1111	0000
Ceiling																								
K		8873	8773	8871	8771	7773	7771	7753	7553	7751	7551	7731	7331	7711	7111	5551	5531	5331	5511	5111	3331	3311	1111	0000
0.60		161	144	90	81	137	77	94	80	50	43	31	24	18	12	40	25	22	14	12	21	12	11	0
0.80		194	178	98	91	169	87	123	108	59	52	40	32	25	19	49	33	30	21	18	29	18	16	0
1.00		217	202	100	93	192	89	147	131	65	58	47	38	32	25	55	40	36	28	24	35	24	22	0
1.25		240	226	101	96	215	92	173	157	70	64	53	45	40	32	60	46	43	35	31	41	31	28	0
1.50		258	245	102	97	234	94	193	178	74	69	59	51	46	38	65	52	49	41	37	47	37	34	0
2.00		282	271	99	96	258	93	224	210	79	74	67	60	57	49	70	60	57	51	47	55	47	43	0
2.50		297	288	97	95	275	92	246	233	81	77	72	66	64	57	74	66	63	59	55	61	55	51	0
3.00		309	300	95	93	287	90	263	251	83	79	76	70	70	63	76	70	68	65	61	65	61	57	0
4.00		326	319	95	94	305	91	286	276	86	84	82	77	78	72	80	77	75	73	69	72	69	65	0
5.00		337	331	96	94	317	92	302	293	89	87	86	82	83	78	84	81	79	79	75	77	75	71	0
10.00		361	358	97	96	343	94	337	332	95	93	95	93	95	92	91	91	90	91	89	88	88	85	0
20.00		374	373	98	98	358	96	357	354	98	98	100	99	102	100	95	97	96	99	97	94	96	93	0

Wall

K	8873	8773	8871	8771	7773	7771	7753	7553	7751	7551	7731	7331	7711	7111	5551	5531	5331	5511	5111	3331	3311	1111	0000
0.60	277	269	188	184	264	181	208	202	146	143	123	120	106	104	142	120	119	104	103	118	103	103	80
0.80	310	300	200	196	293	193	239	230	161	157	138	134	121	118	155	134	133	119	117	132	117	116	90
1.00	324	314	197	193	305	189	254	245	162	158	141	137	125	122	155	137	135	123	121	134	121	119	89
1.25	340	330	196	193	319	189	272	262	165	161	146	142	132	127	157	141	139	128	126	137	125	123	90
1.50	351	341	194	191	328	187	285	274	166	162	149	144	135	131	157	143	141	131	129	138	128	125	89
2.00	351	342	174	171	326	167	290	280	152	149	139	134	128	123	143	132	130	123	120	126	118	114	75
2.50	343	335	152	150	317	146	287	277	134	132	125	120	116	111	125	117	115	110	107	110	104	99	58
3.00	330	323	130	128	303	123	278	269	115	113	108	104	101	96	105	99	98	94	91	92	88	82	39
4.00	321	315	108	106	293	101	274	265	96	94	91	88	87	82	86	82	81	78	76	74	71	65	19
5.00	310	305	88	87	281	82	265	258	78	76	75	72	72	67	68	65	64	63	60	57	55	48	0
10.00	237	234	0	0	206	0	200	195	0	0	0	0	0	0	0	0	0	0	0	0	0	0	0
20.00	102	100	0	0	71	0	69	67	0	0	0	0	0	0	0	0	0	0	0	0	0	0	0

Working Pl.

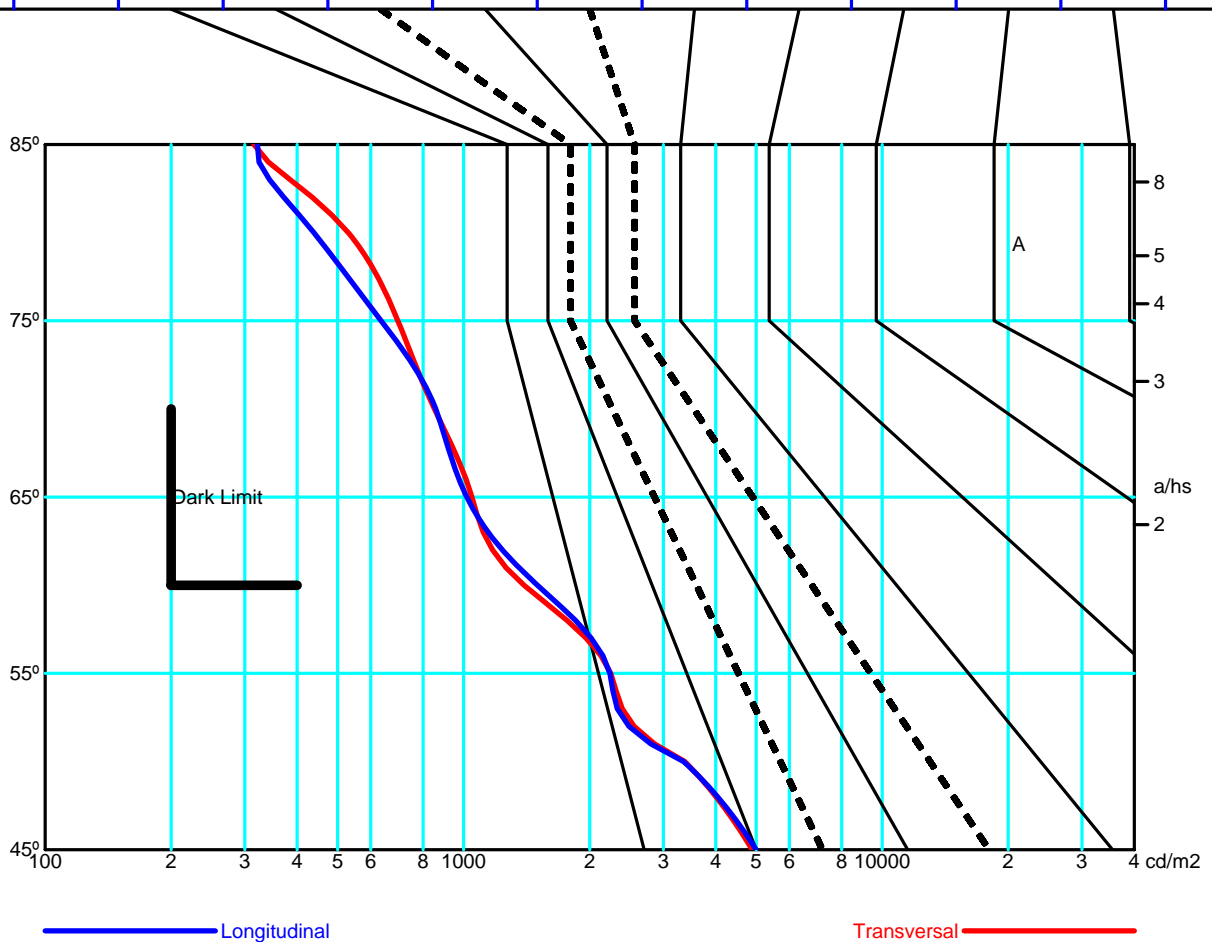
K	8873	8773	8871	8771	7773	7771	7753	7553	7751	7551	7731	7331	7711	7111	5551	5531	5331	5511	5111	3331	3311	1111	0000
0.60	910	900	849	844	895	841	827	820	796	792	765	762	743	741	790	762	761	742	741	760	741	740	732
0.80	972	961	895	890	951	885	884	875	843	839	813	808	790	787	835	808	807	787	786	805	785	784	776
1.00	1000	1000	936	931	1000	925	939	928	888	884	860	855	839	834	878	854	852	835	833	850	832	830	822
1.25	1000	1000	966	961	1000	955	985	972	922	918	897	891	876	871	911	889	887	871	868	883	867	864	856
1.50	1000	1000	987	983	1000	976	1000	1000	947	942	924	918	905	899	934	915	912	898	895	907	893	888	881
2.00	1000	1000	1000	1000	1000	1000	1000	1000	988	983	970	963	955	948	973	959	956	946	942	949	938	932	925
2.50	1000	1000	1000	1000	1000	1000	1000	1000	1000	1000	1000	1000	994	988	981	998	987	985	977	973	976	968	954
3.00	1000	1000	1000	1000	1000	1000	1000	1000	1000	1000	1000	1000	1000	1000	1000	1000	1000	1000	1000	1000	1000	990	974
4.00	1000	1000	1000	1000	1000	1000	1000	1000	1000	1000	1000	1000	1000	1000	1000	1000	1000	1000	1000	1000	1000	1000	991
5.00	1000	1000	1000	1000	1000	1000	1000	1000	1000	1000	1000	1000	1000	1000	1000	1000	1000	1000	1000	1000	1000	1000	1000
10.00	1000	1000	1000	1000	1000	1000	1000	1000	1000	1000	1000	1000	1000	1000	1000	1000	1000	1000	1000	1000	1000	1000	1000
20.00	1000	1000	1000	1000	1000	1000	1000	1000	1000	1000	1000	1000	1000	1000	1000	1000	1000	1000	1000	1000	1000	1000	1000

LM53 SHR C0-C180: 0.499 SHR C90-C270: 0.499 SHR Square: 0.492

<b>Luminaire</b>		<b>Measur.</b>		<b>Lamp</b>	
Code	90-4776	Code	90-4770	Code	L4776 44.8W 80 3000K
Name	Downlight OUT 830 30° 44.8W	Name	Downlight OUT 840 30° 40.9W	Number	1
Line	- LEDS C4 LEDS	Date	15-10-2014	Position	Universal
Efficiency	100.00%	Coordinate system	CG	Total Flux	3865.53 lm

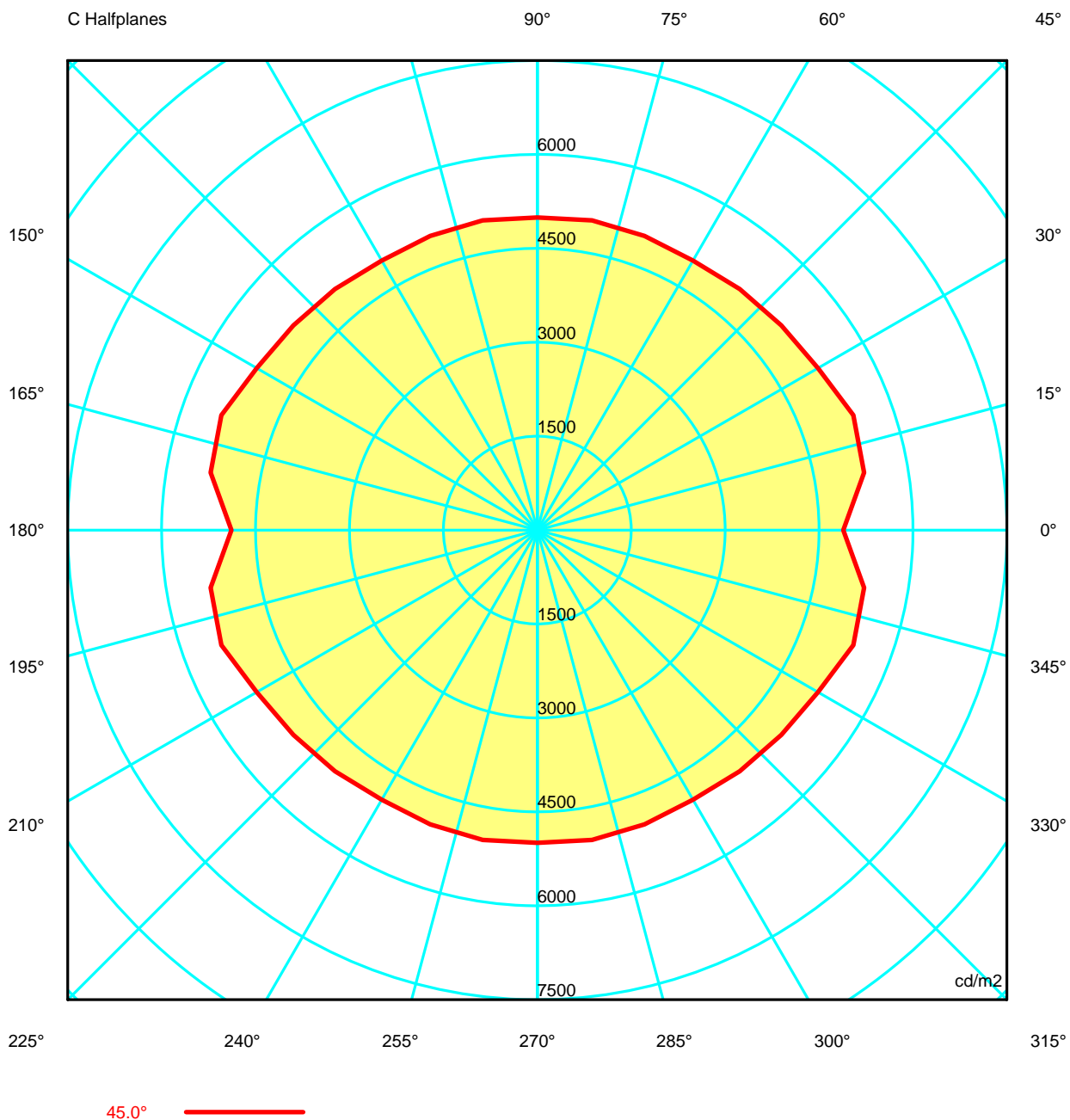
		Average Luminance [cd/m <sup>2</sup> ]										
		0.0°	45°	50°	55°	60°	65°	70°	75°	80°	85°	
0.0°		4886	3372	2246	1394	1047	851	697	530	315	---	
90.0°		4994	3352	2235	1501	1018	857	635	439	321	---	

Flush mounted or longitudinal view												
		Illumination(lx)										
A	A	2000	1000	750	500		<300				1.15	
B	1		2000	1500	1000	750	500	<300			1.5	
C					2000		1000	500	<300		1.85	
D	2						2000	1000	500	<300	2.2	
E	3							2000	1000	500	<300	2.55



<b>Luminaire</b>		<b>Measur.</b>		<b>Lamp</b>	
Code	90-4776	Code	90-4770	Code	L4776 44.8W 80 3000K
Name	Downlight OUT 830 30° 44.8W	Name	Downlight OUT 840 30° 40.9W	Number	1
Line	- LEDS C4 LEDS	Date	15-10-2014	Position	Universal
Efficiency	100.00%	Coordinate system	CG	Total Flux	3865.53 lm

Luminance



<b>Luminaire</b>	<b>Measur.</b>	<b>Lamp</b>
Code 90-4776	Code 90-4770	Code L4776 44.8W 80 3000K
Name Downlight OUT 830 30° 44.8W	Name Downlight OUT 840 30° 40.9W	Number 1
Line - LEDS C4 LEDS	Date 15-10-2014	Position Universal

Efficiency	100.00%	Coordinate system	CG	Total Flux	3865.53 lm
------------	---------	-------------------	----	------------	------------

		Luminance cd/m2											
		Table 1/3											
	C 0.00	C 10.00	C 20.00	C 30.00	C 40.00	C 50.00	C 60.00	C 70.00	C 80.00	C 90.00	C 100.00	C 110.00	C 120.00
G 0.0	771106.73	771106.73	771106.73	771106.73	771106.73	771106.73	771106.73	771106.73	771106.73	771106.73	771106.73	771106.73	771106.73
G 5.0	720775.17	728457.31	732256.52	731076.29	727251.74	725859.27	725814.58	724051.92	723812.20	726419.62	723812.20	724051.92	725814.58
G 10.0	588083.16	582609.30	587394.57	593796.89	584265.54	579261.28	583083.90	580285.67	579443.51	584899.72	579443.51	580285.67	583083.90
G 15.0	399061.83	401633.24	407679.08	413003.57	401803.78	397040.09	398303.36	395580.72	393611.92	396232.80	393611.92	395580.72	398303.36
G 20.0	202432.63	207216.53	207123.32	206369.34	212436.95	210890.34	204374.84	209971.98	212595.81	205384.69	212595.81	209971.98	204374.84
G 25.0	129835.71	132217.62	133128.84	132356.99	130942.83	129942.89	129990.04	130947.43	131317.05	130678.40	131317.05	130947.43	129990.04
G 30.0	113927.13	115202.72	115851.88	115980.47	116096.73	115493.90	114809.65	115538.86	116054.86	115614.15	116054.86	115538.86	114809.65
G 35.0	68221.50	63701.91	67020.33	72859.12	69082.83	67644.12	70940.28	69679.33	70355.51	75889.13	70355.51	69679.33	70940.28
G 40.0	10083.93	15674.08	15648.15	12505.60	13518.29	13298.91	11409.40	13109.54	13862.15	11605.86	13862.15	13109.54	11409.40
G 45.0	4886.40	5297.87	5369.19	5174.53	5085.03	5027.28	4971.46	5001.54	5023.80	4993.88	5023.80	5001.54	4971.46
G 50.0	3371.54	3385.80	3469.15	3548.44	3478.44	3384.30	3371.89	3429.49	3433.64	3351.61	3433.64	3429.49	3371.89
G 55.0	2245.89	2263.49	2335.37	2395.27	2322.42	2249.42	2246.63	2261.61	2259.24	2235.42	2259.24	2261.61	2246.63
G 60.0	1394.50	1465.70	1483.76	1479.44	1482.86	1475.15	1460.33	1475.14	1493.69	1500.57	1493.69	1475.14	1460.33
G 65.0	1046.78	1050.50	1062.93	1078.96	1061.92	1035.68	1027.16	1041.22	1041.83	1017.98	1041.83	1041.22	1027.16
G 70.0	851.36	885.36	891.94	875.87	866.51	864.37	862.05	855.27	852.86	857.44	852.86	855.27	862.05
G 75.0	696.89	692.23	701.23	712.91	686.21	666.68	658.88	661.65	654.25	635.04	654.25	661.65	658.88
G 80.0	530.10	530.22	534.07	537.71	522.02	495.43	473.38	465.32	456.02	438.73	456.02	465.32	473.38
G 85.0	315.28	412.69	408.88	351.73	372.49	354.29	300.94	340.32	364.39	321.47	364.39	340.32	300.94
G 90.0	0.00	0.00	0.00	0.00	0.00	0.00	0.00	0.00	0.00	0.00	0.00	0.00	0.00

<b>Luminaire</b>	<b>Measur.</b>	<b>Lamp</b>
Code 90-4776	Code 90-4770	Code L4776 44.8W 80 3000K
Name Downlight OUT 830 30° 44.8W	Name Downlight OUT 840 30° 40.9W	Number 1
Line - LEDS C4 LEDS	Date 15-10-2014	Position Universal

Efficiency	100.00%	Coordinate system	CG	Total Flux	3865.53 lm
------------	---------	-------------------	----	------------	------------

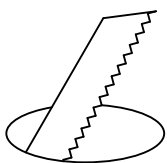
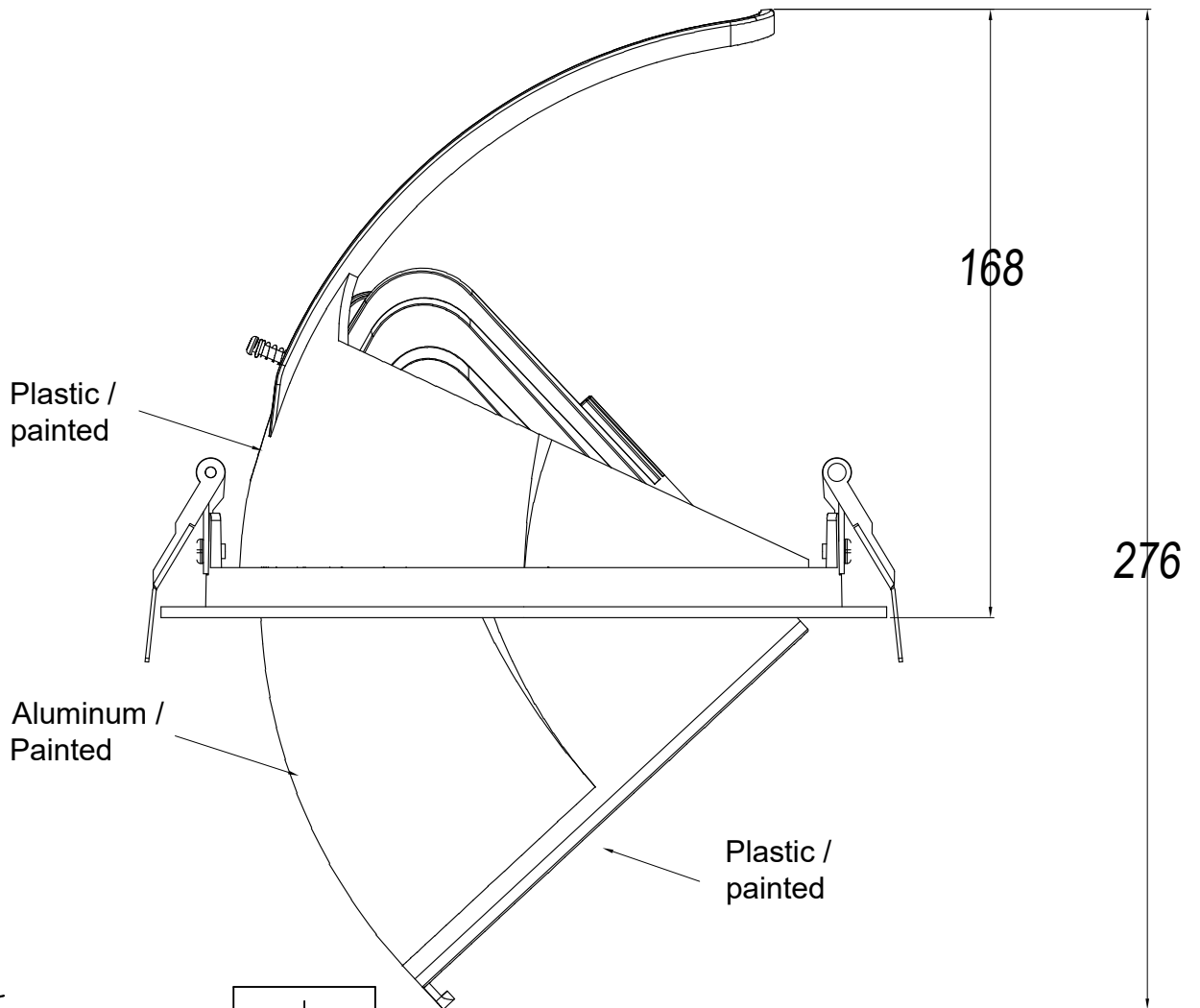
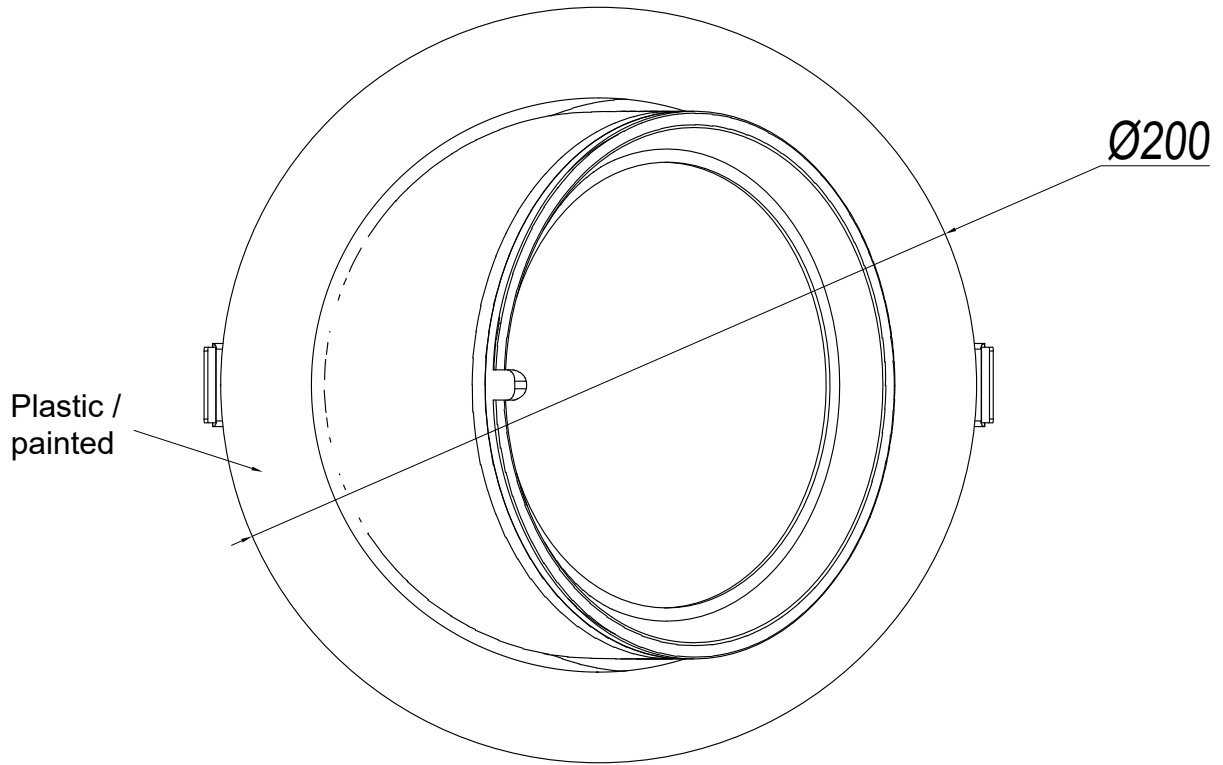
		Luminance cd/m2												
		Table 2/3												
		C 130.00	C 140.00	C 150.00	C 160.00	C 170.00	C 180.00	C 190.00	C 200.00	C 210.00	C 220.00	C 230.00	C 240.00	C 250.00
G 0.0	771106.73	771106.73	771106.73	771106.73	771106.73	771106.73	771106.73	771106.73	771106.73	771106.73	771106.73	771106.73	771106.73	771106.73
G 5.0	725859.27	727251.74	731076.29	732256.52	728457.31	720775.17	728457.31	732256.52	731076.29	727251.74	725859.27	725814.58	724051.92	724051.92
G 10.0	579261.28	584265.54	593796.89	587394.57	582609.30	588083.16	582609.30	587394.57	593796.89	584265.54	579261.28	583083.90	580285.67	580285.67
G 15.0	397040.09	401803.78	413003.57	407679.08	401633.24	399061.83	401633.24	407679.08	413003.57	401803.78	397040.09	398303.36	395580.72	395580.72
G 20.0	210890.34	212436.95	206369.34	207123.32	207216.53	202432.63	207216.53	207123.32	206369.34	212436.95	210890.34	204374.84	209971.98	209971.98
G 25.0	129942.89	130942.83	132356.99	133128.84	132217.62	129835.71	132217.62	133128.84	132356.99	130942.83	129942.89	129990.04	130947.43	130947.43
G 30.0	115493.90	116096.73	115980.47	115851.88	115202.72	113927.13	115202.72	115851.88	115980.47	116096.73	115493.90	114809.65	115538.86	115538.86
G 35.0	67644.12	69082.83	72859.12	67020.33	63701.91	68221.50	63701.91	67020.33	72859.12	69082.83	67644.12	70940.28	69679.33	69679.33
G 40.0	13298.91	13518.29	12505.60	15648.15	15674.08	10083.93	15674.08	15648.15	12505.60	13518.29	13298.91	11409.40	13109.54	13109.54
G 45.0	5027.28	5085.03	5174.53	5369.19	5297.87	4886.40	5297.87	5369.19	5174.53	5085.03	5027.28	4971.46	5001.54	5001.54
G 50.0	3384.30	3478.44	3548.44	3469.15	3385.80	3371.54	3385.80	3469.15	3548.44	3478.44	3384.30	3371.89	3429.49	3429.49
G 55.0	2249.42	2322.42	2395.27	2335.37	2263.49	2245.89	2263.49	2335.37	2395.27	2322.42	2249.42	2246.63	2261.61	2261.61
G 60.0	1475.15	1482.86	1479.44	1483.76	1465.70	1394.50	1465.70	1483.76	1479.44	1482.86	1475.15	1460.33	1475.14	1475.14
G 65.0	1035.68	1061.92	1078.96	1062.93	1050.50	1046.78	1050.50	1062.93	1078.96	1061.92	1035.68	1027.16	1041.22	1041.22
G 70.0	864.37	866.51	875.87	891.94	885.36	851.36	885.36	891.94	875.87	866.51	864.37	862.05	855.27	855.27
G 75.0	666.68	686.21	712.91	701.23	692.23	696.89	692.23	701.23	712.91	686.21	666.68	658.88	661.65	661.65
G 80.0	495.43	522.02	537.71	534.07	530.22	530.10	530.22	534.07	537.71	522.02	495.43	473.38	465.32	465.32
G 85.0	354.29	372.49	351.73	408.88	412.69	315.28	412.69	408.88	351.73	372.49	354.29	300.94	340.32	340.32
G 90.0	0.00	0.00	0.00	0.00	0.00	0.00	0.00	0.00	0.00	0.00	0.00	0.00	0.00	0.00

<b>Luminaire</b>	<b>Measur.</b>	<b>Lamp</b>
Code 90-4776	Code 90-4770	Code L4776 44.8W 80 3000K
Name Downlight OUT 830 30° 44.8W	Name Downlight OUT 840 30° 40.9W	Number 1
Line - LEDS C4 LEDS	Date 15-10-2014	Position Universal

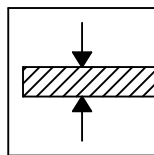
Efficiency	100.00%	Coordinate system	CG	Total Flux	3865.53 lm
------------	---------	-------------------	----	------------	------------

		Luminance cd/m2 Table 3/3												
		C 180.00	C 190.00	C 200.00	C 210.00	C 220.00	C 230.00	C 240.00	C 250.00	C 260.00	C 270.00	C 280.00	C 290.00	C 300.00
G 0.0	771106.73	771106.73	771106.73	771106.73	771106.73	771106.73	771106.73	771106.73	771106.73	771106.73	771106.73	771106.73	771106.73	771106.73
G 5.0	720775.17	728457.31	732256.52	731076.29	727251.74	725859.27	725814.58	724051.92	723812.20	726419.62	723812.20	724051.92	725814.58	725814.58
G 10.0	588083.16	582609.30	587394.57	593796.89	584265.54	579261.28	583083.90	580285.67	579443.51	584899.72	579443.51	580285.67	583083.90	583083.90
G 15.0	399061.83	401633.24	407679.08	413003.57	401803.78	397040.09	398303.36	395580.72	393611.92	396232.80	393611.92	395580.72	398303.36	398303.36
G 20.0	202432.63	207216.53	207123.32	206369.34	212436.95	210890.34	204374.84	209971.98	212595.81	205384.69	212595.81	209971.98	204374.84	204374.84
G 25.0	129835.71	132217.62	133128.84	132356.99	130942.83	129942.89	129990.04	130947.43	131317.05	130678.40	131317.05	130947.43	129990.04	129990.04
G 30.0	113927.13	115202.72	115851.88	115980.47	116096.73	115493.90	114809.65	115538.86	116054.86	115614.15	116054.86	115538.86	114809.65	114809.65
G 35.0	68221.50	63701.91	67020.33	72859.12	69082.83	67644.12	70940.28	69679.33	70355.51	75889.13	70355.51	69679.33	70940.28	70940.28
G 40.0	10083.93	15674.08	15648.15	12505.60	13518.29	13298.91	11409.40	13109.54	13862.15	11605.86	13862.15	13109.54	11409.40	11409.40
G 45.0	4886.40	5297.87	5369.19	5174.53	5085.03	5027.28	4971.46	5001.54	5023.80	4993.88	5023.80	5001.54	4971.46	4971.46
G 50.0	3371.54	3385.80	3469.15	3548.44	3478.44	3384.30	3371.89	3429.49	3433.64	3351.61	3433.64	3429.49	3371.89	3371.89
G 55.0	2245.89	2263.49	2335.37	2395.27	2322.42	2249.42	2246.63	2261.61	2259.24	2235.42	2259.24	2261.61	2246.63	2246.63
G 60.0	1394.50	1465.70	1483.76	1479.44	1482.86	1475.15	1460.33	1475.14	1493.69	1500.57	1493.69	1475.14	1460.33	1460.33
G 65.0	1046.78	1050.50	1062.93	1078.96	1061.92	1035.68	1027.16	1041.22	1041.83	1017.98	1041.83	1041.22	1027.16	1027.16
G 70.0	851.36	885.36	891.94	875.87	866.51	864.37	862.05	855.27	852.86	857.44	852.86	855.27	862.05	862.05
G 75.0	696.89	692.23	701.23	712.91	686.21	666.68	658.88	661.65	654.25	635.04	654.25	661.65	658.88	658.88
G 80.0	530.10	530.22	534.07	537.71	522.02	495.43	473.38	465.32	456.02	438.73	456.02	465.32	473.38	473.38
G 85.0	315.28	412.69	408.88	351.73	372.49	354.29	300.94	340.32	364.39	321.47	364.39	340.32	300.94	300.94
G 90.0	0.00	0.00	0.00	0.00	0.00	0.00	0.00	0.00	0.00	0.00	0.00	0.00	0.00	0.00





Ø185mm



0-25mm

Scale 1:2 23-09-14

