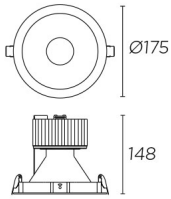


EQUAL SPOT

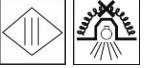
90-4748-N3-37

Downlight EQUAL SPOT 25.9W 3000K CRI 80 Grey IP54 2301lm



TECHNICAL FEATURES

IP54



Power (W) : 25.9W

Raw lumens : 2301

Raw lm/W : 92

Colour temperature : LED warm-white 3000K

Structure material : Aluminium

Structure finish : Grey

Diffuser material : Polycarbonate

Diffuser finish : Transparent

Useful life : 50.000h L80B20

Equipment necessary but not included :

Voltage / frequency : max. 700mA

Warranty : 2 Years

Max. temperature : 25°C

Energy efficiency : LED A++

LUMINOTECHNIC FEATURES

Light source: LED CREE

CRI: 80

MacAdam steps: 2

Photobiological risk: RG1

LOGISTICS

Net weight (kg): 0.6

Packaged weight (kg): 0.8

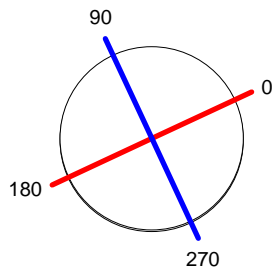
Packaging: 185mm x 185mm x 190mm



Luminaire		Measur.		Lamp	
Code	90-4748	Code	90-2978	Code	L2977 25.9W 80 3000K
Name	EQUAL SPOT 25.9W 830 D=171mm	Name	EQUAL SPOT 25.9W 840 D=171mm	Number	1
Line	- LEDS C4 LEDS	Date	28-04-2014	Position	Universal
Efficiency	100.00%	Coordinate system	CG	Total Flux	2300.97 lm
Maximum value	3506.04 cd	Position	C=0.00 G=0.00	Double Symmetrical	
Round Recessed Luminaire	Diam.	175 mm	Height	3 mm	
Round Luminous Area	Diam.	140 mm	Height	0 mm	
Horizontal Luminous Area	0.015394 m2	Emitting area on Plane 180°	0.000000 m2		
Emitting area on Plane 0°	0.000000 m2	Emitting area on Plane 270°	0.000000 m2		
Emitting area on Plane 90°	0.000000 m2	Glare area at 76°	0.003724 m2		
Symmetry Type	Double Symmetrical	Maximum Gamma Angle	90		
Measurement Distance	6.44	Measurement Flux	2300.97 lm		
Operator	Asselum T2	Source voltage	35.80 V		
Temperature	21.00 °C	Source current	0.60 A		
Humidity	51.00 %	Photocell	Prc		
Notes					

Luminaire Lamps						
Line	Code	Name	Flux [lm]	Pow. [W]	Q.ty	
- LEDS C4 LEDS	L2977 25.9W 80 3000K	Lámpara leds 25.9W 3000K	2300.97	26.00	1	
C.I.E.	91 97 99 100 100	D DIN 5040	A60			
F UTE	1.00 A	B NBN	BZ 1			

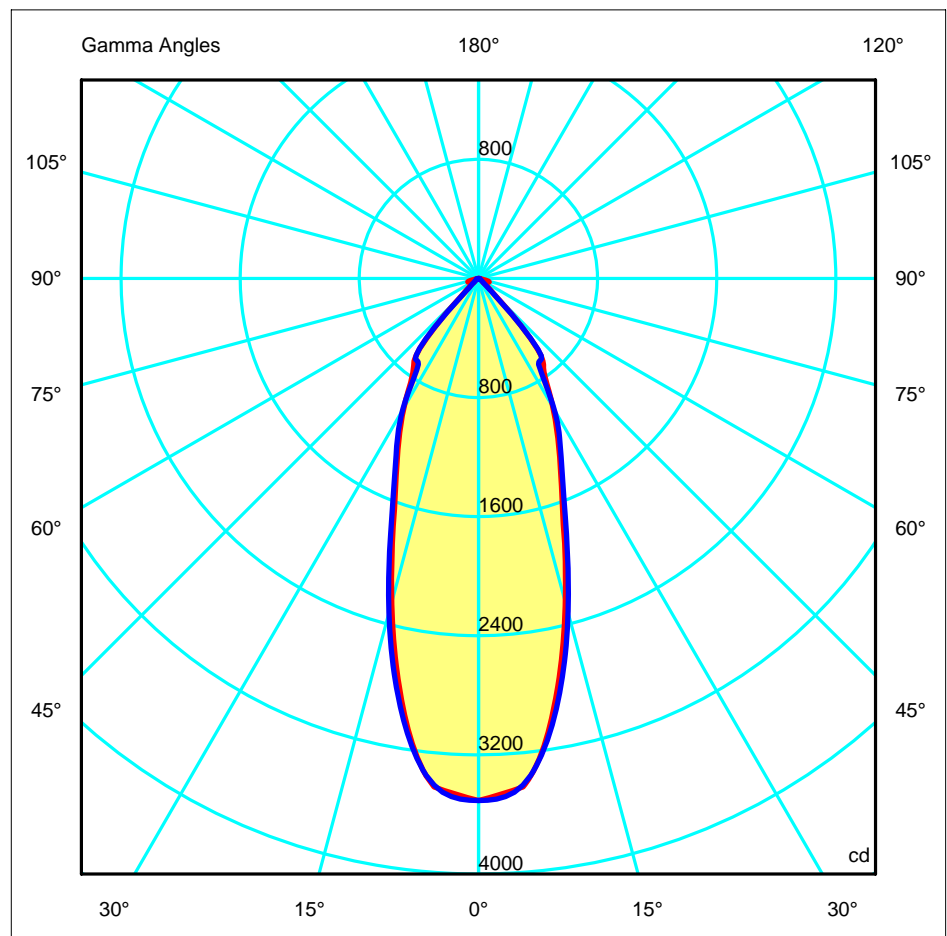
Diam=175mm Incasso



C Halfplanes

180.0 — 0.0
270.0 — 90.0

ULOR 0.00 %
DLOR 100.00 %
RN 0.00 %



Luminaire		Measur.		Lamp	
Code	90-4748	Code	90-2978	Code	L2977 25.9W 80 3000K
Name	EQUAL SPOT 25.9W 830 D=171mm	Name	EQUAL SPOT 25.9W 840 D=171mm	Number	1
Line	- LEDS C4 LEDS	Date	28-04-2014	Position	Universal
Efficiency	100.00%	Coordinate system	CG	Total Flux	2300.97 lm
Maximum value	3506.04 cd	Position	C=0.00 G=0.00	Double Symmetrical	

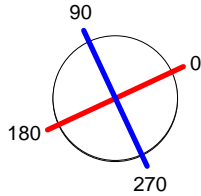
Luminous Intensity Table cd Table 1/1

	C 0.00	C 15.00	C 30.00	C 45.00	C 60.00	C 75.00	C 90.00
G 0.0	3506.04	3506.04	3506.04	3506.04	3506.04	3506.04	3506.04
G 5.0	3428.16	3385.61	3443.58	3413.03	3428.22	3418.87	3416.57
G 10.0	2922.16	2922.50	3006.74	2948.82	2954.67	2967.92	2965.11
G 15.0	2251.41	2259.88	2292.29	2281.19	2302.40	2312.09	2324.30
G 20.0	1655.29	1655.17	1694.35	1678.20	1662.97	1695.74	1703.54
G 25.0	1280.22	1283.70	1313.92	1296.78	1303.04	1311.11	1309.70
G 30.0	1002.29	1005.58	1021.21	1007.05	1003.53	1012.25	1018.48
G 35.0	766.25	766.21	778.64	784.36	766.39	767.94	704.08
G 40.0	610.95	597.61	653.55	580.24	615.65	578.77	622.63
G 45.0	137.98	145.11	175.79	143.24	129.29	153.08	95.40
G 50.0	35.89	34.96	36.62	36.53	36.97	37.47	37.66
G 55.0	23.98	25.34	25.86	25.21	25.66	25.79	27.24
G 60.0	15.55	15.24	15.62	15.63	15.92	16.27	16.23
G 65.0	29.98	15.52	17.04	13.07	12.26	12.24	12.46
G 70.0	69.45	38.87	30.59	23.05	13.68	11.70	9.90
G 75.0	65.71	65.53	34.36	36.72	24.37	13.57	9.57
G 80.0	19.27	33.97	12.94	17.28	17.87	9.16	8.53
G 85.0	8.28	8.44	6.47	6.49	6.75	5.79	5.79
G 90.0	9.71	7.51	3.34	3.16	2.22	1.33	1.12

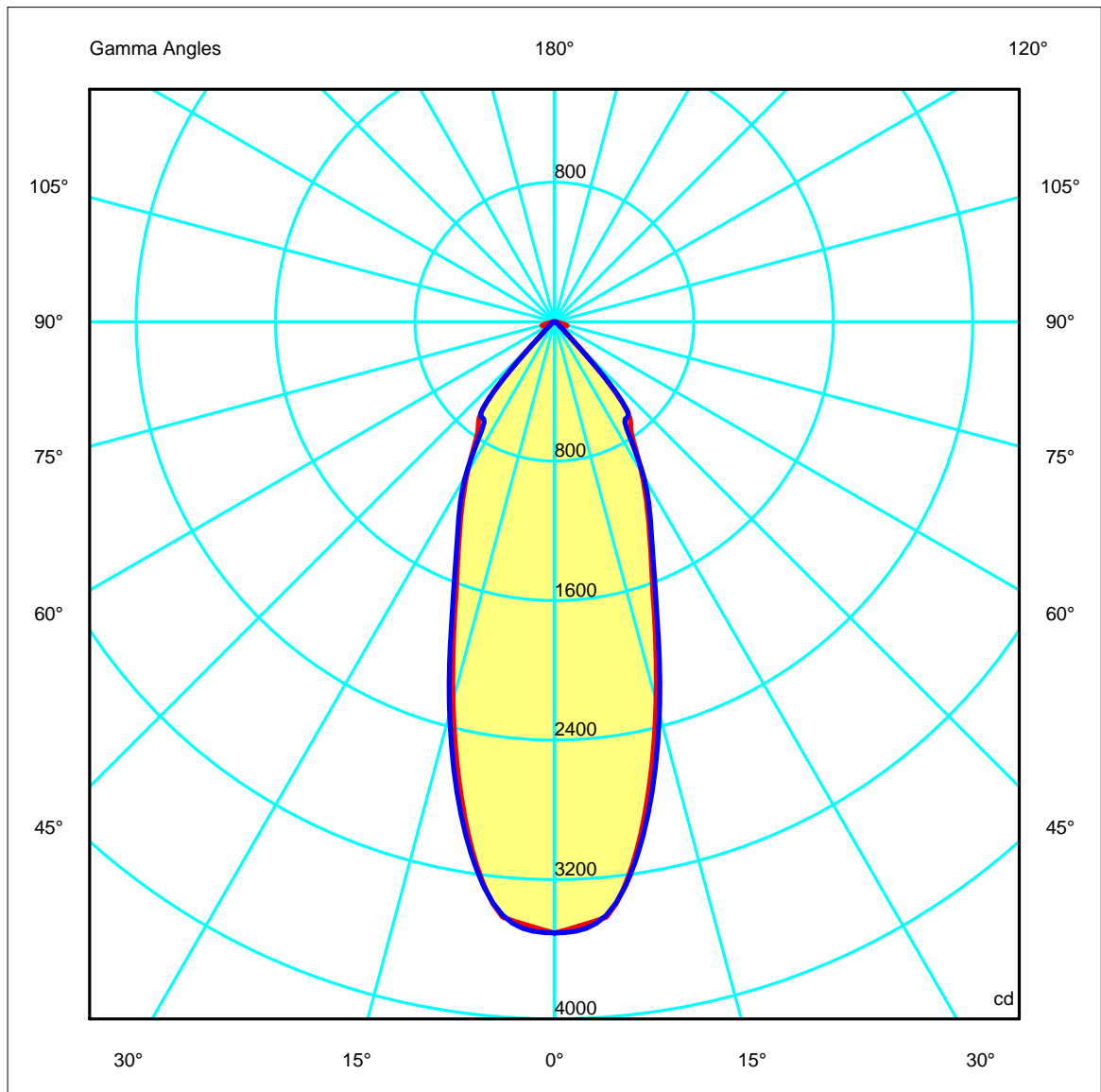
Luminaire		Measur.		Lamp	
Code	90-4748	Code	90-2978	Code	L2977 25.9W 80 3000K
Name	EQUAL SPOT 25.9W 830 D=171mm	Name	EQUAL SPOT 25.9W 840 D=171mm	Number	1
Line	- LEDS C4 LEDS	Date	28-04-2014	Position	Universal
Efficiency	100.00%	Coordinate system	CG	Total Flux	2300.97 lm
Maximum value	3506.04 cd	Position	C=0.00 G=0.00	Double Symmetrical	

Diam=175mm Incasso

C Halfplanes

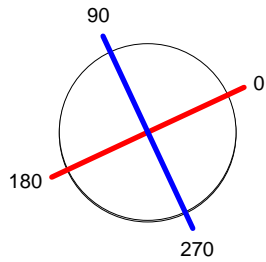


180.0 ————— 0.0
 270.0 ————— 90.0

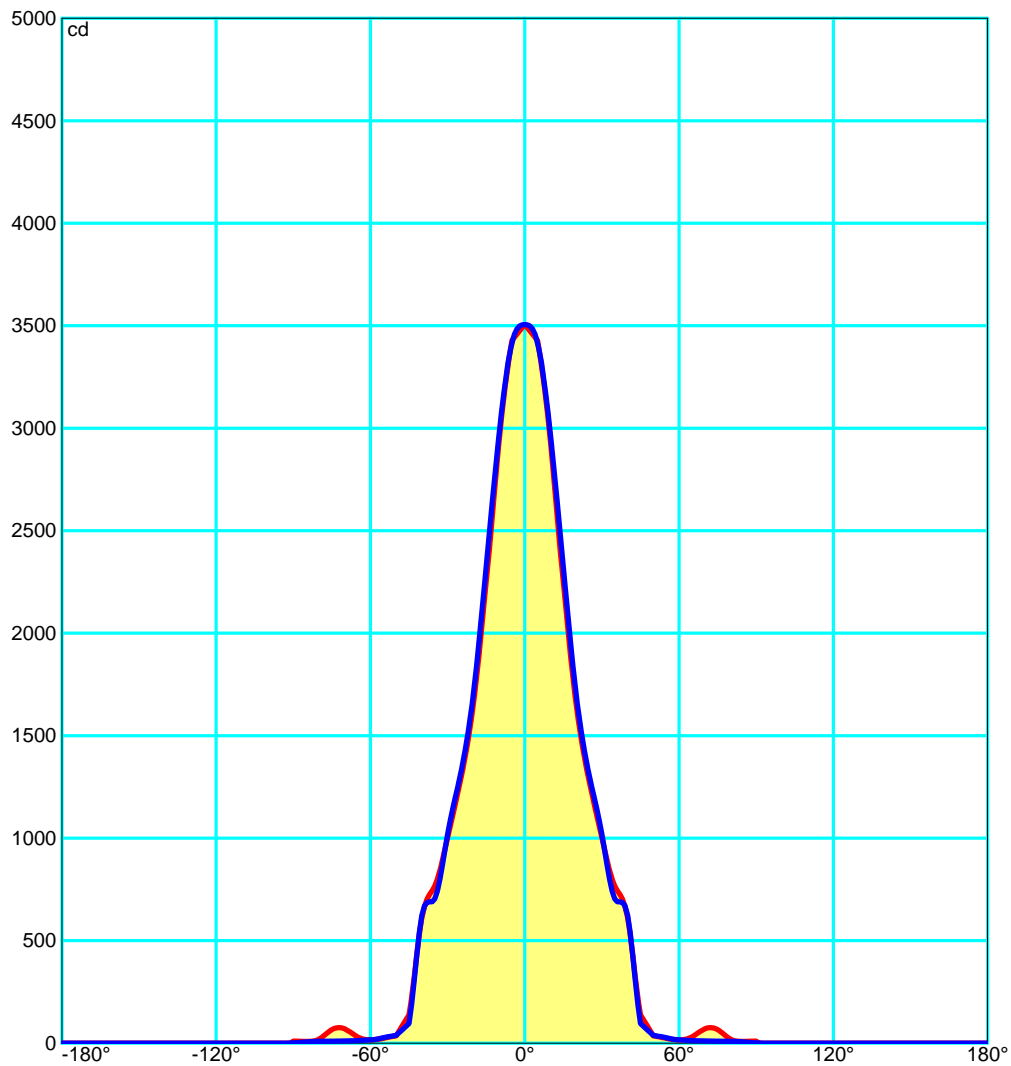


Luminaire		Measur.		Lamp	
Code	90-4748	Code	90-2978	Code	L2977 25.9W 80 3000K
Name	EQUAL SPOT 25.9W 830 D=171mm	Name	EQUAL SPOT 25.9W 840 D=171mm	Number	1
Line	- LEDS C4 LEDS	Date	28-04-2014	Position	Universal
Efficiency	100.00%	Coordinate system	CG	Total Flux	2300.97 lm
Maximum value	3506.04 cd	Position	C=0.00 G=0.00	Double Symmetrical	

Diam=175mm Incasso



C Halfplanes



Luminaire		Measur.		Lamp	
Code	90-4748	Code	90-2978	Code	L2977 25.9W 80 3000K
Name	EQUAL SPOT 25.9W 830 D=171mm	Name	EQUAL SPOT 25.9W 840 D=171mm	Number	1
Line	- LEDS C4 LEDS	Date	28-04-2014	Position	Universal
Efficiency	100.00%	Coordinate system	CG	Total Flux	2300.97 lm
Maximum value	3506.04 cd	Position	C=0.00 G=0.00	Double Symmetrical	

UGR
S = 0.250

Reflectancies										
Ceiling/Cavity	0.7	0.7	0.5	0.5	0.3	0.7	0.7	0.5	0.5	0.3
Walls	0.5	0.3	0.5	0.3	0.3	0.5	0.3	0.5	0.3	0.3
WorkingPlane	0.2	0.2	0.2	0.2	0.2	0.2	0.2	0.2	0.2	0.2
RoomDimensions	ViewedCrosswise					ViewedEndwise				
x=2H y=2H	18.2	19.0	18.5	19.2	19.3	18.1	18.9	18.4	19.1	19.3
x=2H y=3H	18.7	19.4	19.0	19.6	19.2	18.0	18.7	18.3	18.9	19.2
x=2H y=4H	20.1	20.7	20.4	21.0	19.2	18.0	18.7	18.3	18.9	19.2
x=2H y=6H	20.9	21.5	21.2	21.8	19.2	18.0	18.6	18.4	18.9	19.2
x=2H y=8H	20.9	21.5	21.3	21.8	19.2	18.1	18.6	18.4	18.9	19.2
x=2H y=12H	21.0	21.5	21.3	21.8	19.2	18.1	18.6	18.4	18.9	19.2
x=4H y=2H	18.0	18.7	18.4	18.9	19.1	17.9	18.6	18.3	18.8	19.1
x=4H y=3H	18.8	19.3	19.1	19.6	19.1	17.9	18.5	18.3	18.8	19.1
x=4H y=4H	20.5	20.9	20.8	21.3	19.2	18.0	18.5	18.4	18.8	19.2
x=4H y=6H	21.6	22.0	22.0	22.4	19.3	18.2	18.5	18.5	18.9	19.3
x=4H y=8H	21.8	22.1	22.2	22.5	19.3	18.2	18.5	18.6	18.9	19.3
x=4H y=12H	21.8	22.1	22.2	22.5	19.4	18.3	18.6	18.7	19.0	19.4
x=8H y=4H	20.6	20.9	21.0	21.3	19.6	18.4	18.8	18.9	19.2	19.6
x=8H y=6H	21.7	22.0	22.2	22.4	19.9	18.7	19.0	19.2	19.4	19.9
x=8H y=8H	21.9	22.2	22.4	22.6	20.0	18.8	19.1	19.3	19.5	20.0
x=8H y=12H	22.0	22.2	22.5	22.7	20.1	18.9	19.1	19.4	19.6	20.1
x=12H y=4H	20.6	20.9	21.0	21.3	19.6	18.5	18.8	18.9	19.2	19.6
x=12H y=6H	21.7	22.0	22.2	22.4	19.9	18.8	19.0	19.2	19.4	19.9
x=12H y=8H	21.9	22.1	22.4	22.6	20.1	18.9	19.1	19.4	19.6	20.1

Luminaire		Measur.		Lamp	
Code	90-4748	Code	90-2978	Code	L2977 25.9W 80 3000K
Name	EQUAL SPOT 25.9W 830 D=171mm	Name	EQUAL SPOT 25.9W 840 D=171mm	Number	1
Line	- LEDS C4 LEDS	Date	28-04-2014	Position	Universal
Efficiency	100.00%	Coordinate system	CG	Total Flux	2300.97 lm
Maximum value	3506.04 cd	Position	C=0.00 G=0.00	Double Symmetrical	

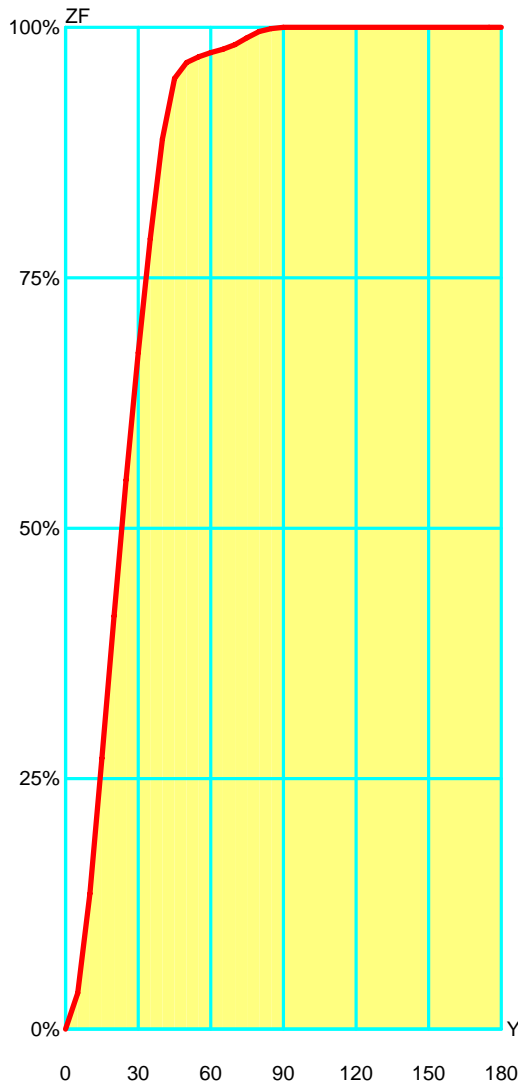
Total Flux=2300.97 Luminaire Flux=2300.96

RI	0.60	0.80	1.00	1.25	1.50	2.00	2.50	3.00	4.00	5.00	10.00	20.00
DRR	0.66	0.72	0.77	0.81	0.84	0.89	0.92	0.94	0.96	0.98	1.00	1.01
RC	-	-	-	-	-	-	-	-	-	-	-	-

Zonal Flux per 1000 Lumen																		
Y°	10	20	30	40	50	60	70	80	90	100	110	120	130	140	150	160	170	180
ZF(Y)	135	412	675	889	965	975	983	996	1000	1000	1000	1000	1000	1000	1000	1000	1000	1000

CIE Flux Codes
91 97 99 100 100

C.I.E.	-/-/-/-/-/-/-/-/-/-	LOR	99.99961 %
D DIN 5040	A60	ULOR	0.00000 %
F UTE	1.00 A	DLOR	99.99961 %
B NBN	BZ 1	UFF	0.00000 %
RN	0.00000 %	DFF	100.00000 %
BLF	1.0	FFR	0.00000 %



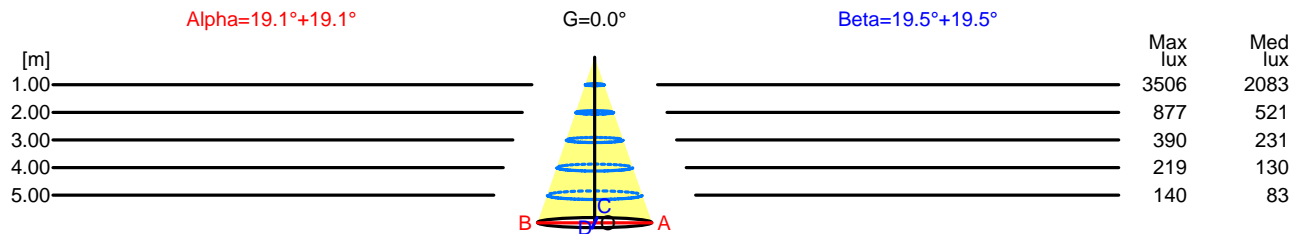
Gamma °	Zonal Flux			
	Flux	Sum lm	Flux [%]	Sum [%]
0°	0.00	0.00	0.00%	0.00 %
5°	35.98	35.98	3.60 %	3.60 %
10°	99.13	135.10	9.91 %	13.51 %
15°	135.26	270.36	13.53 %	27.04 %
20°	142.08	412.45	14.21 %	41.24 %
25°	135.75	548.20	13.58 %	54.82 %
30°	127.08	675.28	12.71 %	67.53 %
35°	113.69	788.97	11.37 %	78.90 %
40°	99.60	888.56	9.96 %	88.86 %
45°	60.43	949.00	6.04 %	94.90 %
50°	15.84	964.84	1.58 %	96.48 %
55°	5.87	970.71	0.59 %	97.07 %
60°	4.15	974.86	0.42 %	97.49 %
65°	3.27	978.14	0.33 %	97.81 %
70°	4.57	982.70	0.46 %	98.27 %
75°	7.00	989.70	0.70 %	98.97 %
80°	6.15	995.85	0.61 %	99.59 %
85°	2.88	998.73	0.29 %	99.87 %
90°	1.27	1000.00	0.13 %	100.00 %
95°	0.00	1000.00	0.00 %	100.00 %
100°	0.00	1000.00	0.00 %	100.00 %
105°	0.00	1000.00	0.00 %	100.00 %
110°	0.00	1000.00	0.00 %	100.00 %
115°	0.00	1000.00	0.00 %	100.00 %
120°	0.00	1000.00	0.00 %	100.00 %
125°	0.00	1000.00	0.00 %	100.00 %
130°	0.00	1000.00	0.00 %	100.00 %
135°	0.00	1000.00	0.00 %	100.00 %
140°	0.00	1000.00	0.00 %	100.00 %
145°	0.00	1000.00	0.00 %	100.00 %
150°	0.00	1000.00	0.00 %	100.00 %
155°	0.00	1000.00	0.00 %	100.00 %
160°	0.00	1000.00	0.00 %	100.00 %
165°	0.00	1000.00	0.00 %	100.00 %
170°	0.00	1000.00	0.00 %	100.00 %
175°	0.00	1000.00	0.00 %	100.00 %
180°	0.00	1000.00	0.00 %	100.00 %

Luminaire		Measur.		Lamp	
Code	90-4748	Code	90-2978	Code	L2977 25.9W 80 3000K
Name	EQUAL SPOT 25.9W 830 D=171mm	Name	EQUAL SPOT 25.9W 840 D=171mm	Number	1
Line	- LEDS C4 LEDS	Date	28-04-2014	Position	Universal
Efficiency	100.00%	Coordinate system	CG	Total Flux	2300.97 lm
Maximum value	3506.04 cd	Position	C=0.00 G=0.00	Double Symmetrical	

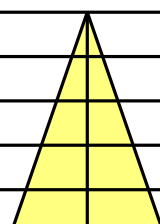
Width at 50.00 % of Max Intensity

H[m]	1.00	2.00	3.00	4.00	5.00	H[m]	1.00	2.00	3.00	4.00	5.00
OA	0.35	0.69	1.04	1.38	1.73	OC	0.36	0.71	1.07	1.42	1.78
OB	0.35	0.69	1.04	1.38	1.73	OD	0.36	0.71	1.07	1.42	1.78

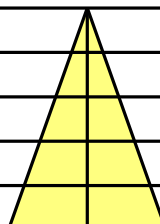
		Luminous Intensities [cd]									
		0	5	15	25	35	45	55	65	75	85
OA	3506.04	3428.16	2251.41	1280.22	766.25	137.98	23.98	29.98	65.71	8.28	
OB	3506.04	3428.16	2251.41	1280.22	766.25	137.98	23.98	29.98	65.71	8.28	
OC	3506.04	3416.57	2324.30	1309.70	704.08	95.40	27.24	12.46	9.57	5.79	
OD	3506.04	3416.57	2324.30	1309.70	704.08	95.40	27.24	12.46	9.57	5.79	



H[m]	D[m]	Max lux	Med lux	Alpha=19.1°+19.1°	G=0.0
1.00	0.69	3506	2083		
2.00	1.38	877	521		
3.00	2.07	390	231		
4.00	2.76	219	130		
5.00	3.45	140	83		



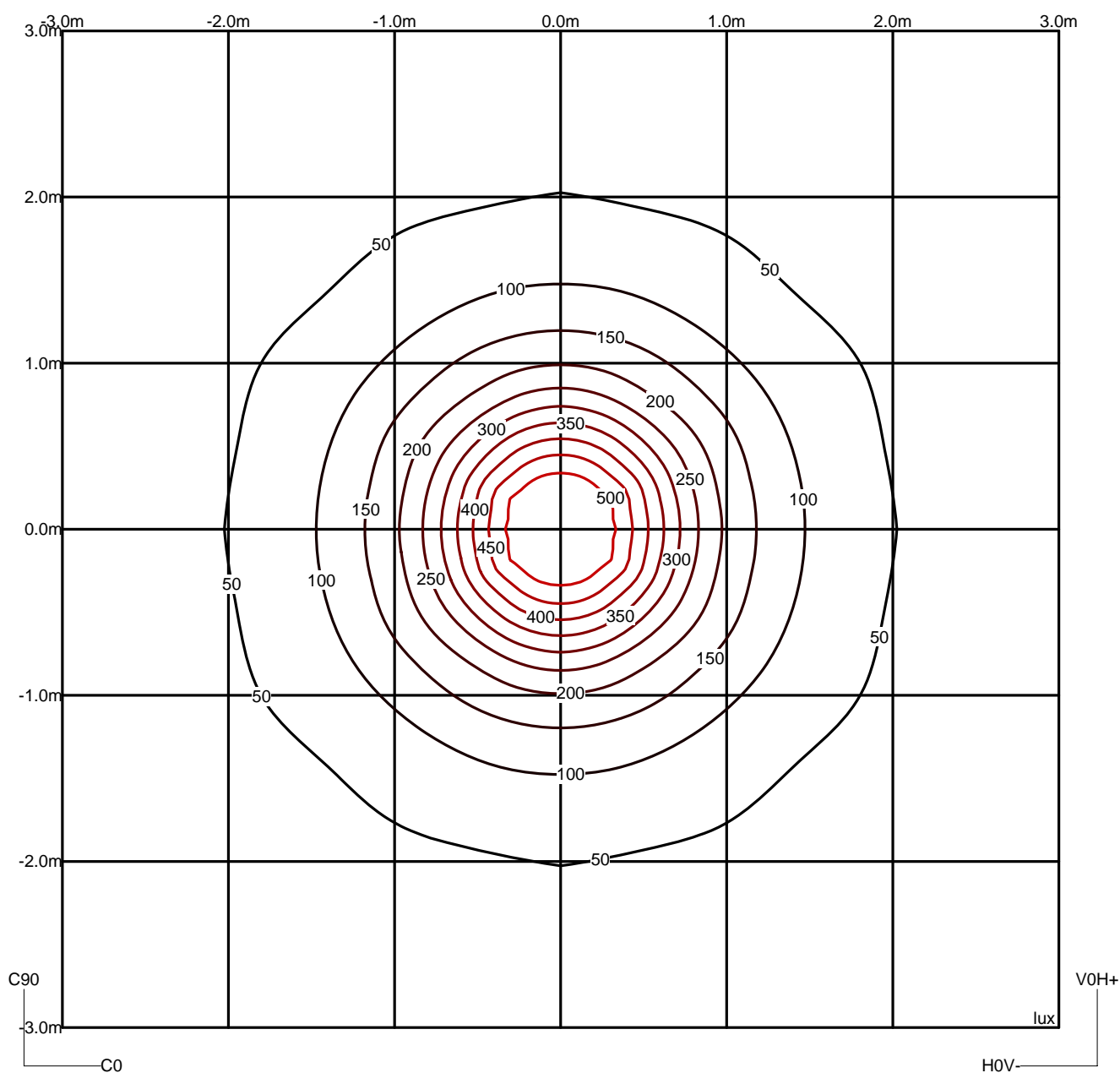
H[m]	D[m]	Max lux	Med lux	Beta=19.5°+19.5°	G=0.0
1.00	0.71	3506	2083		
2.00	1.42	877	521		
3.00	2.13	390	231		
4.00	2.84	219	130		
5.00	3.55	140	83		



Luminaire		Measuram.		Lamp	
Code	90-4748	Code	90-2978	Code	L2977 25.9W 80 3000K
Name	EQUAL SPOT 25.9W 830 D=171mm	Name	EQUAL SPOT 25.9W 840 D=171mm	Number	1
Line	- LEDS C4 LEDS	Date	28-04-2014	Position	Universal
Efficiency	100.00%	Coordinate system	CG	Total Flux	2300.97 lm
Maximum value	3506.04 cd	Position	C=0.00 G=0.00	Double Symmetrical	

Isolux (Floor)

Luminaire position X=0.00m Y=0.00m Z=2.50m



Luminaire		Measur.		Lamp	
Code	90-4748	Code	90-2978	Code	L2977 25.9W 80 3000K
Name	EQUAL SPOT 25.9W 830 D=171mm	Name	EQUAL SPOT 25.9W 840 D=171mm	Number	1
Line	- LEDS C4 LEDS	Date	28-04-2014	Position	Universal
Efficiency	100.00%	Coordinate system	CG	Total Flux	2300.97 lm
Maximum value	3506.04 cd	Position	C=0.00 G=0.00	Double Symmetrical	

Utilizations CIE

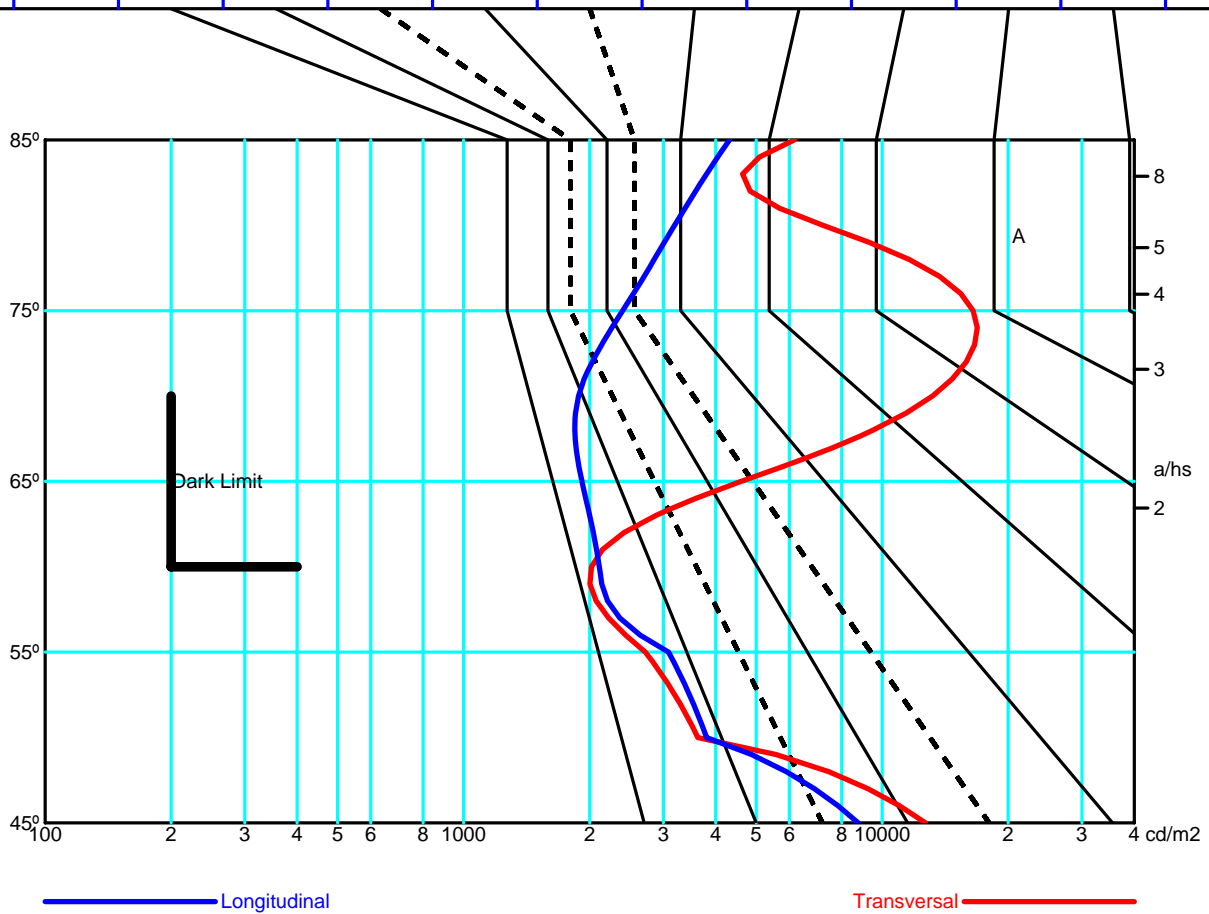
Mounting	Direct	Normalization										Suspension Ratio			Standard CIE Settings									
		8873	8773	8871	8771	7773	7771	7753	7553	7751	7551	7731	7331	7711	7111	5551	5531	5331	5511	5111	3331	3311	1111	0000
Ceiling																								
K		8873	8773	8871	8771	7773	7771	7753	7553	7751	7551	7731	7331	7711	7111	5551	5531	5331	5511	5111	3331	3311	1111	0000
0.60		170	153	103	93	145	89	96	82	56	48	34	25	18	12	45	27	24	14	11	23	12	10	0
0.80		203	186	111	103	177	98	126	110	66	58	43	34	25	18	54	35	32	21	17	30	18	16	0
1.00		226	210	112	105	200	101	150	134	71	64	49	40	32	25	60	42	38	27	23	36	24	21	0
1.25		248	234	113	107	223	103	175	159	76	70	56	47	39	32	66	49	45	35	30	43	31	28	0
1.50		266	252	113	108	240	104	195	179	80	74	61	53	46	38	70	54	51	41	36	48	37	33	0
2.00		288	277	109	106	264	102	225	211	84	79	69	62	56	48	75	62	59	51	46	56	46	43	0
2.50		303	294	106	103	280	100	247	234	86	82	74	68	63	56	78	68	65	58	54	62	54	50	0
3.00		314	306	104	102	292	99	264	252	87	84	78	72	69	62	80	72	69	64	60	67	60	56	0
4.00		331	324	103	101	310	99	287	277	91	88	83	79	77	71	84	78	76	72	69	73	68	65	0
5.00		341	336	103	101	321	99	303	294	93	91	87	83	82	77	87	82	81	78	75	78	74	70	0
10.00		364	361	102	101	347	100	338	332	98	97	96	94	94	91	94	92	91	91	89	89	87	84	0
20.00		377	375	102	102	361	101	357	355	101	100	101	100	101	99	97	98	97	98	97	95	95	93	0
Wall																								
K		8873	8773	8871	8771	7773	7771	7753	7553	7751	7551	7731	7331	7711	7111	5551	5531	5331	5511	5111	3331	3311	1111	0000
0.60		309	299	224	219	294	217	232	225	175	171	146	143	126	124	169	144	143	125	124	142	124	123	101
0.80		344	334	239	234	326	231	266	257	192	188	165	161	144	142	185	161	160	142	141	158	141	140	114
1.00		361	351	238	234	341	230	284	275	196	192	171	167	152	149	189	167	165	149	148	163	147	146	116
1.25		378	368	239	235	356	230	304	294	201	197	179	174	161	157	193	173	171	157	155	169	154	152	120
1.50		391	381	238	234	367	230	319	309	204	200	183	179	167	162	195	177	175	162	160	172	159	156	121
2.00		394	385	221	218	369	213	328	318	193	190	177	173	163	159	184	170	168	158	155	164	153	149	111
2.50		390	383	203	201	364	196	330	320	180	178	167	163	156	151	171	160	158	150	147	153	144	140	98
3.00		382	375	185	183	355	177	326	316	166	163	155	151	146	141	155	147	145	139	136	139	133	127	84
4.00		380	374	169	168	351	162	328	320	153	151	146	142	139	134	143	136	135	130	128	128	123	117	71
5.00		375	370	156	155	346	149	327	319	143	141	136	133	131	127	132	127	125	122	120	118	114	107	60
10.00		333	330	95	94	302	89	293	288	86	85	84	82	82	79	75	73	73	72	70	63	62	53	2
20.00		241	239	0	0	209	0	206	203	0	0	0	0	0	0	0	0	0	0	0	0	0	0	0
Working Pl.																								
K		8873	8773	8871	8771	7773	7771	7753	7553	7751	7551	7731	7331	7711	7111	5551	5531	5331	5511	5111	3331	3311	1111	0000
0.60		858	848	801	795	842	792	766	760	738	734	701	698	675	673	731	698	697	674	673	696	673	672	663
0.80		930	918	856	850	908	845	833	824	795	790	758	754	731	728	786	753	752	729	727	750	727	725	716
1.00		990	978	902	897	965	891	894	883	846	841	812	806	786	781	835	805	803	782	780	801	779	777	767
1.25		1000	1000	938	933	1000	926	946	934	886	881	855	849	830	825	874	847	845	825	822	841	821	818	809
1.50		1000	1000	964	959	1000	951	986	973	916	911	887	881	864	857	902	878	875	857	854	870	852	848	839
2.00		1000	1000	1000	997	1000	989	1000	1000	962	957	939	932	920	913	947	927	925	911	907	918	904	897	889
2.50		1000	1000	1000	1000	1000	1000	1000	1000	991	987	972	966	957	949	975	959	957	946	942	948	937	929	921
3.00		1000	1000	1000	1000	1000	1000	1000	1000	1000	996	990	983	976	969	982	980	971	967	970	961	951	944	
4.00		1000	1000	1000	1000	1000	1000	1000	1000	1000	1000	1000	1000	1000	1000	1000	1000	1000	996	992	990	983	972	964
5.00		1000	1000	1000	1000	1000	1000	1000	1000	1000	1000	1000	1000	1000	1000	1000	1000	1000	1000	1000	1000	996	984	976
10.00		1000	1000	1000	1000	1000	1000	1000	1000	1000	1000	1000	1000	1000	1000	1000	1000	1000	1000	1000	1000	1000	1000	1000
20.00		1000	1000	1000	1000	1000	1000	1000	1000	1000	1000	1000	1000	1000	1000	1000	1000	1000	1000	1000	1000	1000	1000	1000

LM53 SHR C0-C180: 0.602 SHR C90-C270: 0.621 SHR Square: 0.700

Luminaire		Measur.		Lamp	
Code	90-4748	Code	90-2978	Code	L2977 25.9W 80 3000K
Name	EQUAL SPOT 25.9W 830 D=171mm	Name	EQUAL SPOT 25.9W 840 D=171mm	Number	1
Line	- LEDS C4 LEDS	Date	28-04-2014	Position	Universal
Efficiency	100.00%	Coordinate system	CG	Total Flux	2300.97 lm
Maximum value	3506.04 cd	Position	C=0.00 G=0.00	Double Symmetrical	

Average Luminance [cd/m ²]											
	0.0°	45°	50°	55°	60°	65°	70°	75°	80°	85°	
	90.0°	8765	3806	3085	2108	1916	1881	2401	3190	4318	--
											--

Flush mounted or longitudinal view												
		Illumination(lx)										
A	A	2000	1000	750	500		<300				1.15	
B	1		2000	1500	1000	750	500	<300			1.5	
C					2000		1000	500	<300		1.85	
D	2						2000	1000	500	<300	2.2	
E	3							2000	1000	500	<300	2.55



Luminaire		Measur.		Lamp	
Code	90-4748	Code	90-2978	Code	L2977 25.9W 80 3000K
Name	EQUAL SPOT 25.9W 830 D=171mm	Name	EQUAL SPOT 25.9W 840 D=171mm	Number	1
Line	- LEDS C4 LEDS	Date	28-04-2014	Position	Universal
Efficiency	100.00%	Coordinate system	CG	Total Flux	2300.97 lm
Maximum value	3506.04 cd	Position	C=0.00 G=0.00	Double Symmetrical	

Luminance



Luminaire		Measur.		Lamp									
Code	90-4748	Code	90-2978	Code	L2977 25.9W 80 3000K								
Name	EQUAL SPOT 25.9W 830 D=171mm	Name	EQUAL SPOT 25.9W 840 D=171mm	Number	1								
Line	- LEDS C4 LEDS	Date	28-04-2014	Position	Universal								
Efficiency	100.00%	Coordinate system	CG	Total Flux	2300.97 lm								
Maximum value	3506.04 cd	Position	C=0.00 G=0.00	Double Symmetrical									
Luminance cd/m2 Table 1/3													
	C 0.00	C 10.00	C 20.00	C 30.00	C 40.00	C 50.00	C 60.00	C 70.00	C 80.00	C 90.00	C 100.00	C 110.00	C 120.00
G 0.0	227753.44	227753.44	227753.44	227753.44	227753.44	227753.44	227753.44	227753.44	227753.44	227753.44	227753.44	227753.44	227753.44
G 5.0	223545.14	220866.95	221911.02	224550.54	223353.09	222569.21	223548.98	223278.02	222889.37	222789.35	222889.37	223278.02	223548.98
G 10.0	192753.12	192767.75	194807.28	198332.31	196057.64	194640.35	194897.71	195645.10	195777.26	195585.97	195777.26	195645.10	194897.71
G 15.0	151411.61	151791.39	152790.89	154160.84	153650.84	153679.18	154841.11	155355.63	155707.13	156313.45	155707.13	155355.63	154841.11
G 20.0	114429.26	114058.89	115320.79	117129.25	116718.73	115343.56	114960.13	116430.50	117405.10	117764.71	117405.10	116430.50	114960.13
G 25.0	91760.58	91927.06	92806.58	94176.53	93442.49	92852.54	93396.21	93869.98	93993.08	93874.07	93993.08	93869.98	93396.21
G 30.0	75181.78	75346.35	75886.29	76600.49	75986.63	75273.87	75274.91	75694.15	76116.64	76395.93	76116.64	75694.15	75274.91
G 35.0	60765.19	60669.44	61003.29	61747.96	62316.02	61705.59	60776.06	60858.32	59779.22	55834.99	59779.22	60858.32	60776.06
G 40.0	51808.67	50099.22	52618.84	55421.24	51029.73	49595.94	52207.23	50143.15	49387.51	52799.25	49387.51	50143.15	52207.23
G 45.0	12676.34	13113.01	14446.26	16149.33	14491.46	12144.04	11877.52	13768.91	13108.04	8764.52	13108.04	13768.91	11877.52
G 50.0	3627.03	3533.07	3579.58	3701.02	3694.65	3695.42	3735.78	3773.77	3795.67	3805.84	3795.67	3773.77	3735.78
G 55.0	2716.42	2823.66	2907.18	2929.11	2873.71	2863.18	2905.90	2908.33	2958.31	3085.30	2958.31	2908.33	2905.90
G 60.0	2020.91	1983.03	1992.60	2029.38	2030.22	2037.35	2068.33	2103.39	2117.23	2108.21	2117.23	2103.39	2068.33
G 65.0	4607.45	2856.62	2328.67	2619.63	2256.10	1967.16	1884.96	1886.21	1885.79	1915.63	1885.79	1886.21	1884.96
G 70.0	13190.60	8907.79	6509.10	5809.64	4967.26	3714.29	2598.58	2261.58	2143.35	1880.90	2143.35	2261.58	2598.58
G 75.0	16493.23	16461.90	13894.75	8622.88	8740.80	8726.36	6115.56	4052.71	2958.63	2401.05	2958.63	4052.71	6115.56
G 80.0	7209.08	12457.36	10568.92	4839.87	5923.74	7184.40	6685.53	4406.09	3348.45	3189.63	3348.45	4406.09	6685.53
G 85.0	6167.96	6442.67	5844.54	4821.34	4830.98	4988.93	5029.12	4544.47	4222.11	4317.72	4222.11	4544.47	5029.12
G 90.0	0.00	0.00	0.00	0.00	0.00	0.00	0.00	0.00	0.00	0.00	0.00	0.00	0.00

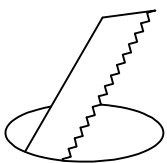
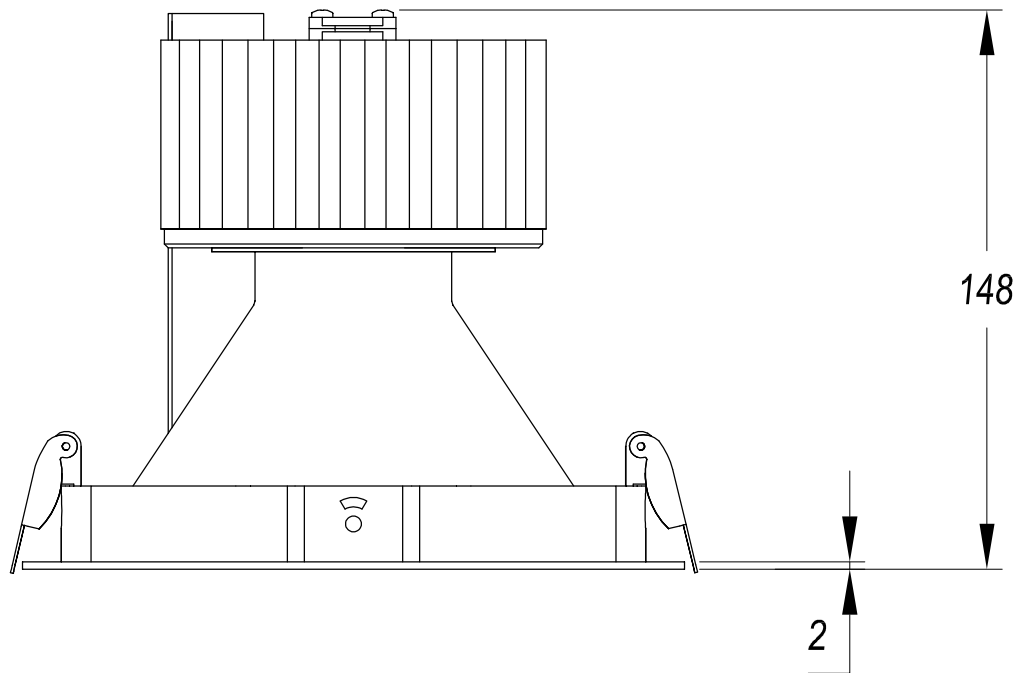
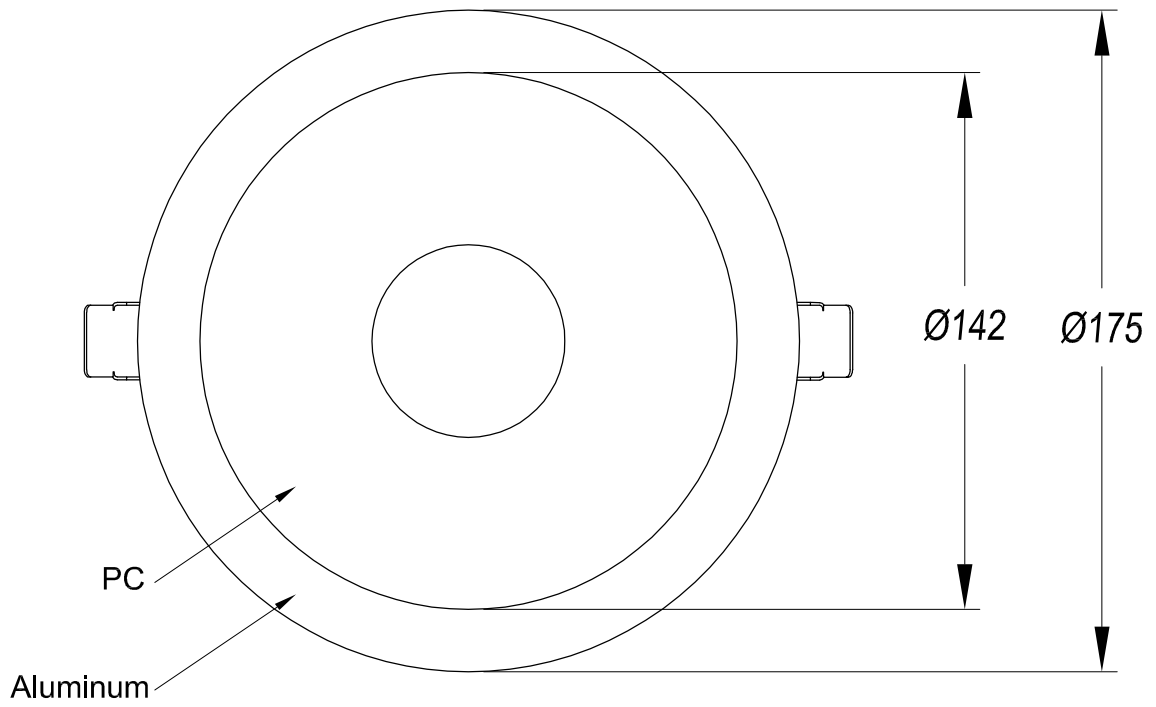
Luminaire		Measuram.		Lamp									
Code	90-4748	Code	90-2978	Code	L2977 25.9W 80 3000K								
Name	EQUAL SPOT 25.9W 830 D=171mm	Name	EQUAL SPOT 25.9W 840 D=171mm	Number	1								
Line	- LEDS C4 LEDS	Date	28-04-2014	Position	Universal								
Efficiency	100.00%	Coordinate system	CG	Total Flux	2300.97 lm								
Maximum value	3506.04 cd	Position	C=0.00 G=0.00	Double Symmetrical									
Luminance cd/m2 Table 2/3													
	C 130.00	C 140.00	C 150.00	C 160.00	C 170.00	C 180.00	C 190.00	C 200.00	C 210.00	C 220.00	C 230.00	C 240.00	C 250.00
G 0.0	227753.44	227753.44	227753.44	227753.44	227753.44	227753.44	227753.44	227753.44	227753.44	227753.44	227753.44	227753.44	227753.44
G 5.0	222569.21	223353.09	224550.54	221911.02	220866.95	223545.14	220866.95	221911.02	224550.54	223353.09	222569.21	223548.98	223278.02
G 10.0	194640.35	196057.64	198332.31	194807.28	192767.75	192753.12	192767.75	194807.28	198332.31	196057.64	194640.35	194897.71	195645.10
G 15.0	153679.18	153650.84	154160.84	152790.89	151791.39	151411.61	151791.39	152790.89	154160.84	153650.84	153679.18	154841.11	155355.63
G 20.0	115343.56	116718.73	117129.25	115320.79	114058.89	114429.26	114058.89	115320.79	117129.25	116718.73	115343.56	114960.13	116430.50
G 25.0	92852.54	93442.49	94176.53	92806.58	91927.06	91760.58	91927.06	92806.58	94176.53	93442.49	92852.54	93396.21	93869.98
G 30.0	75273.87	75986.63	76600.49	75886.29	75346.35	75181.78	75346.35	75886.29	76600.49	75986.63	75273.87	75274.91	75694.15
G 35.0	61705.59	62316.02	61747.96	61003.29	60669.44	60765.19	60669.44	61003.29	61747.96	62316.02	61705.59	60776.06	60858.32
G 40.0	49595.94	51029.73	55421.24	52618.84	50099.22	51808.67	50099.22	52618.84	55421.24	51029.73	49595.94	52207.23	50143.15
G 45.0	12144.04	14491.46	16149.33	14446.26	13113.01	12676.34	13113.01	14446.26	16149.33	14491.46	12144.04	11877.52	13768.91
G 50.0	3695.42	3694.65	3701.02	3579.58	3533.07	3627.03	3533.07	3579.58	3701.02	3694.65	3695.42	3735.78	3773.77
G 55.0	2863.18	2873.71	2929.11	2907.18	2823.66	2716.42	2823.66	2907.18	2929.11	2873.71	2863.18	2905.90	2908.33
G 60.0	2037.35	2030.22	2029.38	1992.60	1983.03	2020.91	1983.03	1992.60	2029.38	2030.22	2037.35	2068.33	2103.39
G 65.0	1967.16	2256.10	2619.63	2328.67	2856.62	4607.45	2856.62	2328.67	2619.63	2256.10	1967.16	1884.96	1886.21
G 70.0	3714.29	4967.26	5809.64	6509.10	8907.79	13190.60	8907.79	6509.10	5809.64	4967.26	3714.29	2598.58	2261.58
G 75.0	8726.36	8740.80	8622.88	13894.75	16461.90	16493.23	16461.90	13894.75	8622.88	8740.80	8726.36	6115.56	4052.71
G 80.0	7184.40	5923.74	4839.87	10568.92	12457.36	7209.08	12457.36	10568.92	4839.87	5923.74	7184.40	6685.53	4406.09
G 85.0	4988.93	4830.98	4821.34	5844.54	6442.67	6167.96	6442.67	5844.54	4821.34	4830.98	4988.93	5029.12	4544.47
G 90.0	0.00	0.00	0.00	0.00	0.00	0.00	0.00	0.00	0.00	0.00	0.00	0.00	0.00

Luminaire		Measur.		Lamp	
Code	90-4748	Code	90-2978	Code	L2977 25.9W 80 3000K
Name	EQUAL SPOT 25.9W 830 D=171mm	Name	EQUAL SPOT 25.9W 840 D=171mm	Number	1
Line	- LEDS C4 LEDS	Date	28-04-2014	Position	Universal

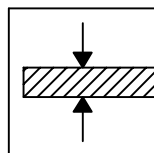
Efficiency	100.00%	Coordinate system	CG	Total Flux	2300.97 lm
------------	---------	-------------------	----	------------	------------

Maximum value	3506.04 cd	Position	C=0.00 G=0.00	Double Symmetrical	
---------------	------------	----------	---------------	--------------------	--

		Luminance cd/m2 Table 3/3									
		C 260.00	C 270.00	C 280.00	C 290.00	C 300.00	C 310.00	C 320.00	C 330.00	C 340.00	C 350.00
G 0.0	227753.44	227753.44	227753.44	227753.44	227753.44	227753.44	227753.44	227753.44	227753.44	227753.44	227753.44
G 5.0	222889.37	222789.35	222889.37	223278.02	223548.98	222569.21	223353.09	224550.54	221911.02	220866.95	
G 10.0	195777.26	195585.97	195777.26	195645.10	194897.71	194640.35	196057.64	198332.31	194807.28	192767.75	
G 15.0	155707.13	156313.45	155707.13	155355.63	154841.11	153679.18	153650.84	154160.84	152790.89	151791.39	
G 20.0	117405.10	117764.71	117405.10	116430.50	114960.13	115343.56	116718.73	117129.25	115320.79	114058.89	
G 25.0	93993.08	93874.07	93993.08	93869.98	93396.21	92852.54	93442.49	94176.53	92806.58	91927.06	
G 30.0	76116.64	76395.93	76116.64	75694.15	75274.91	75273.87	75986.63	76600.49	75886.29	75346.35	
G 35.0	59779.22	55834.99	59779.22	60858.32	60776.06	61705.59	62316.02	61747.96	61003.29	60669.44	
G 40.0	49387.51	52799.25	49387.51	50143.15	52207.23	49595.94	51029.73	55421.24	52618.84	50099.22	
G 45.0	13108.04	8764.52	13108.04	13768.91	11877.52	12144.04	14491.46	16149.33	14446.26	13113.01	
G 50.0	3795.67	3805.84	3795.67	3773.77	3735.78	3695.42	3694.65	3701.02	3579.58	3533.07	
G 55.0	2958.31	3085.30	2958.31	2908.33	2905.90	2863.18	2873.71	2929.11	2907.18	2823.66	
G 60.0	2117.23	2108.21	2117.23	2103.39	2068.33	2037.35	2030.22	2029.38	1992.60	1983.03	
G 65.0	1885.79	1915.63	1885.79	1886.21	1884.96	1967.16	2256.10	2619.63	2328.67	2856.62	
G 70.0	2143.35	1880.90	2143.35	2261.58	2598.58	3714.29	4967.26	5809.64	6509.10	8907.79	
G 75.0	2958.63	2401.05	2958.63	4052.71	6115.56	8726.36	8740.80	8622.88	13894.75	16461.90	
G 80.0	3348.45	3189.63	3348.45	4406.09	6685.53	7184.40	5923.74	4839.87	10568.92	12457.36	
G 85.0	4222.11	4317.72	4222.11	4544.47	5029.12	4988.93	4830.98	4821.34	5844.54	6442.67	
G 90.0	0.00	0.00	0.00	0.00	0.00	0.00	0.00	0.00	0.00	0.00	



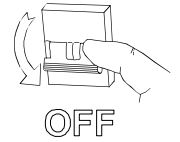
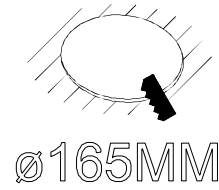
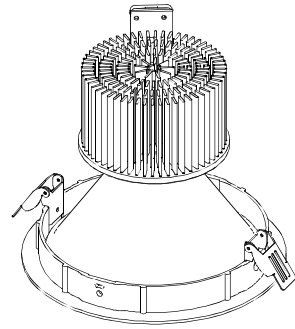
Ø165mm



0-25mm

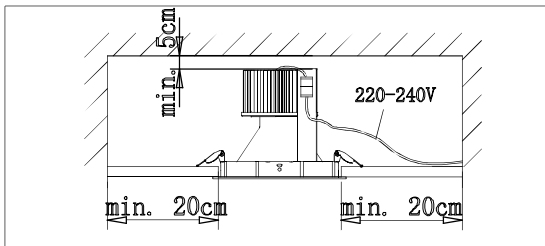
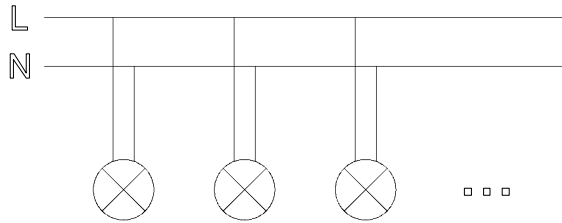
Scale 1:2 09/12/14

1

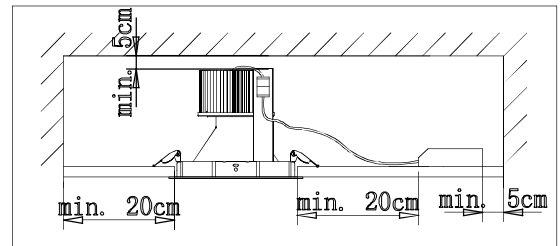
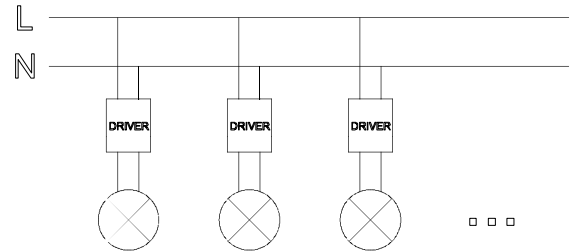


2

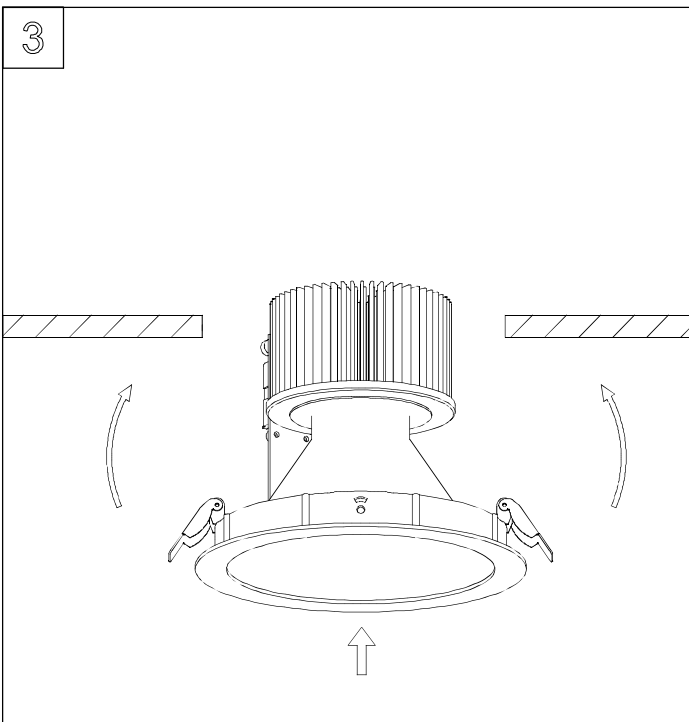
AC VERSION



DRIVER VERSION



3



4

