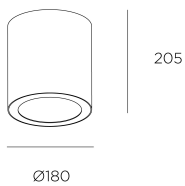


EXIT

Josep Patsi

90-3526-14-OU

Ceiling fixture EXIT 33.7W 3000K CRI 90 White IP23



TECHNICAL FEATURES



Power (W) : 33.7W

Total power consumption of light (W) : 37.4W

Colour temperature : LED warm-white 3000K

Structure material : Aluminium

Structure finish : White

Diffuser material : Glass

Diffuser finish : Transparent

Useful life : 50.000h L80B20

Equipment included : Yes, electronic

Brand : HEP

Voltage / frequency : 100-240VAC/50-60Hz

Warranty : 2 Years

Max. temperature : 25°C

Energy efficiency : LED A++

LUMINOTECHNIC FEATURES

Light source: LED CREE

CRI: 90

MacAdam steps: 2

Photobiological risk: RG1

LOGISTICS

Net weight (kg): 2.13

Packaged weight (kg): 2.32





71-3223-60-00

Black suspension kit

Structure material: Aluminium
Dimensions: 111 x max 2,5 x 33,5
Net weight (kg): 0.32



71-3531-60-00

Track connector

Structure material: Polypropylene
Dimensions: 111 x max 2,5 x 33,5
Net weight (kg): 0.25



71-3223-14-00

White suspension kit

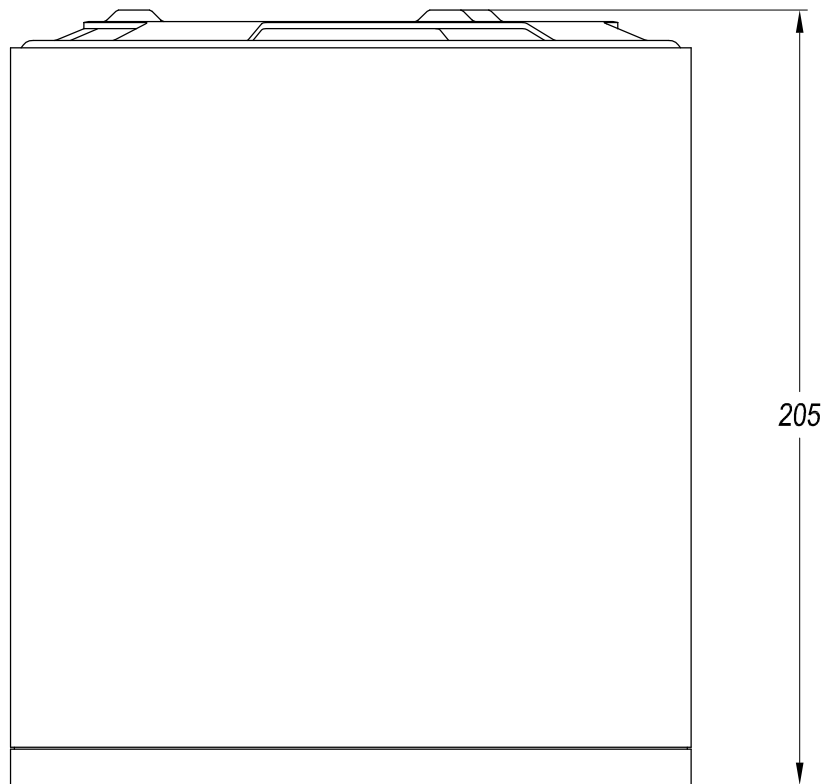
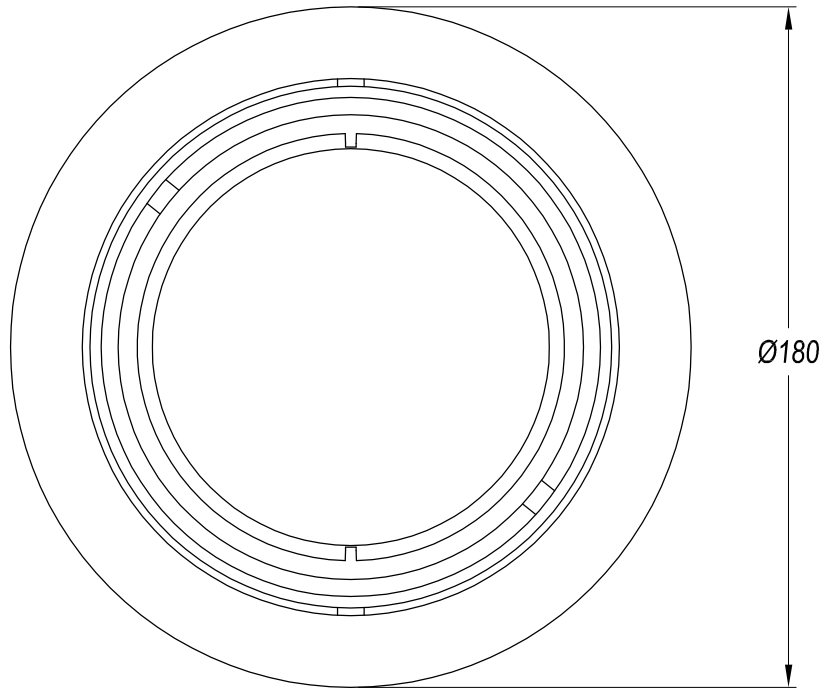
Structure material: Aluminium
Dimensions: 111 x max 2,5 x 33,5
Net weight (kg): 0.32

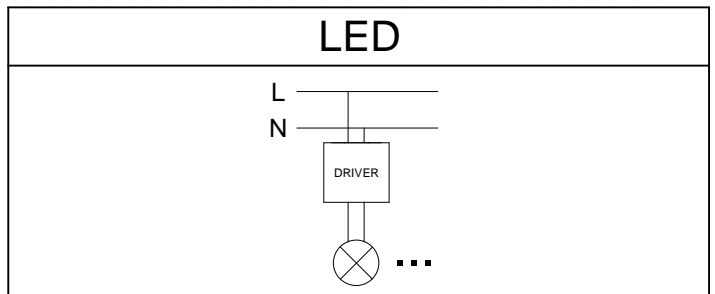
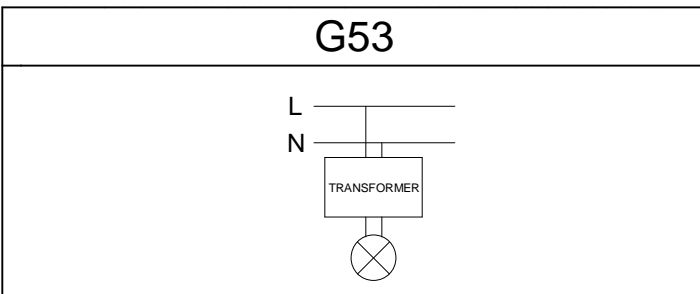
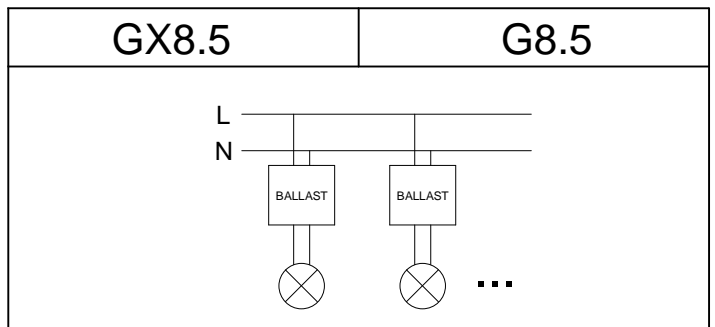
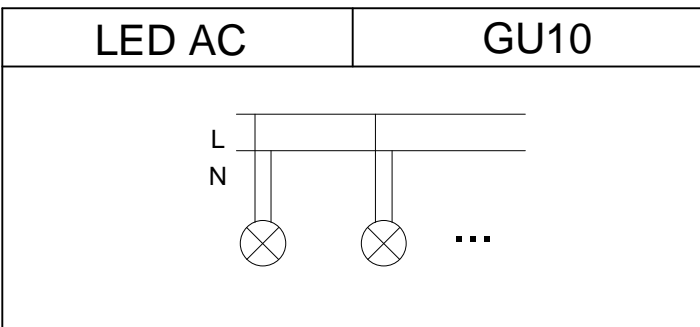
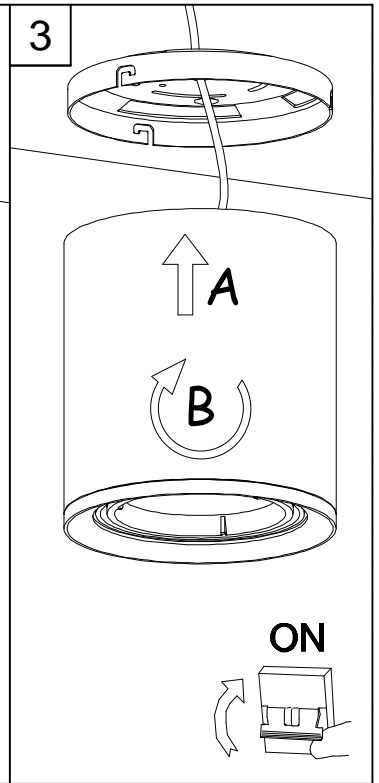
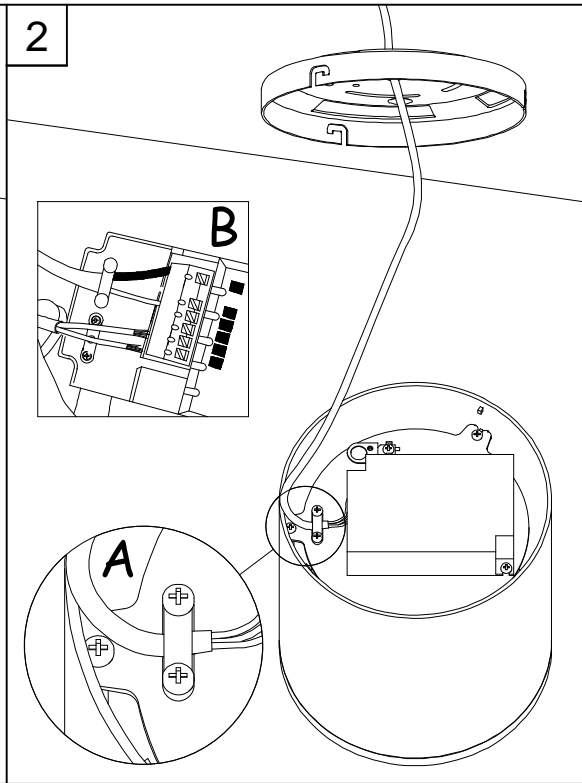
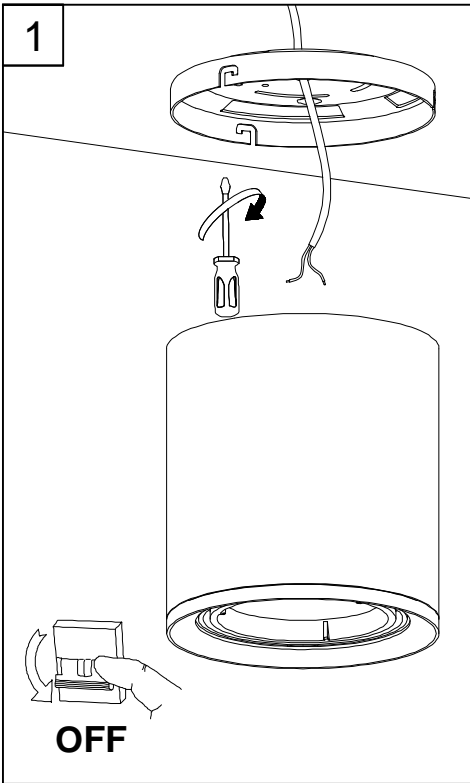
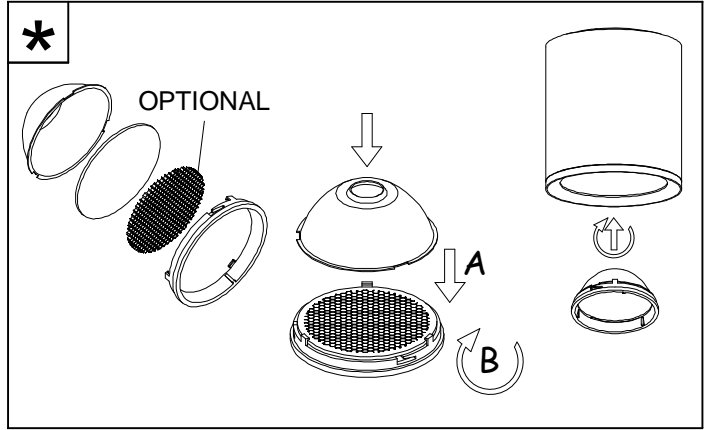
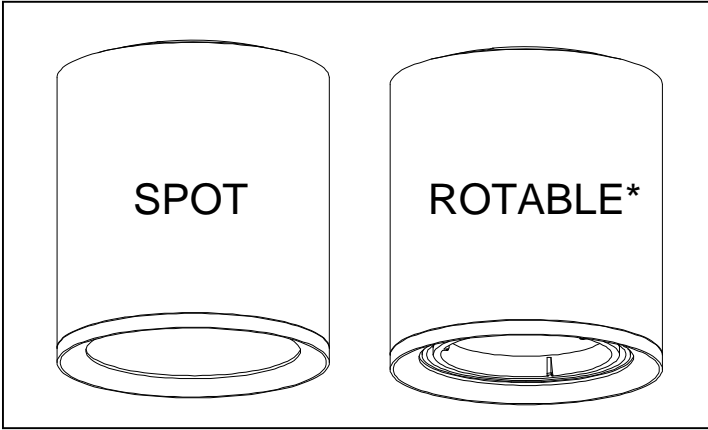


ACT-9180-60-00

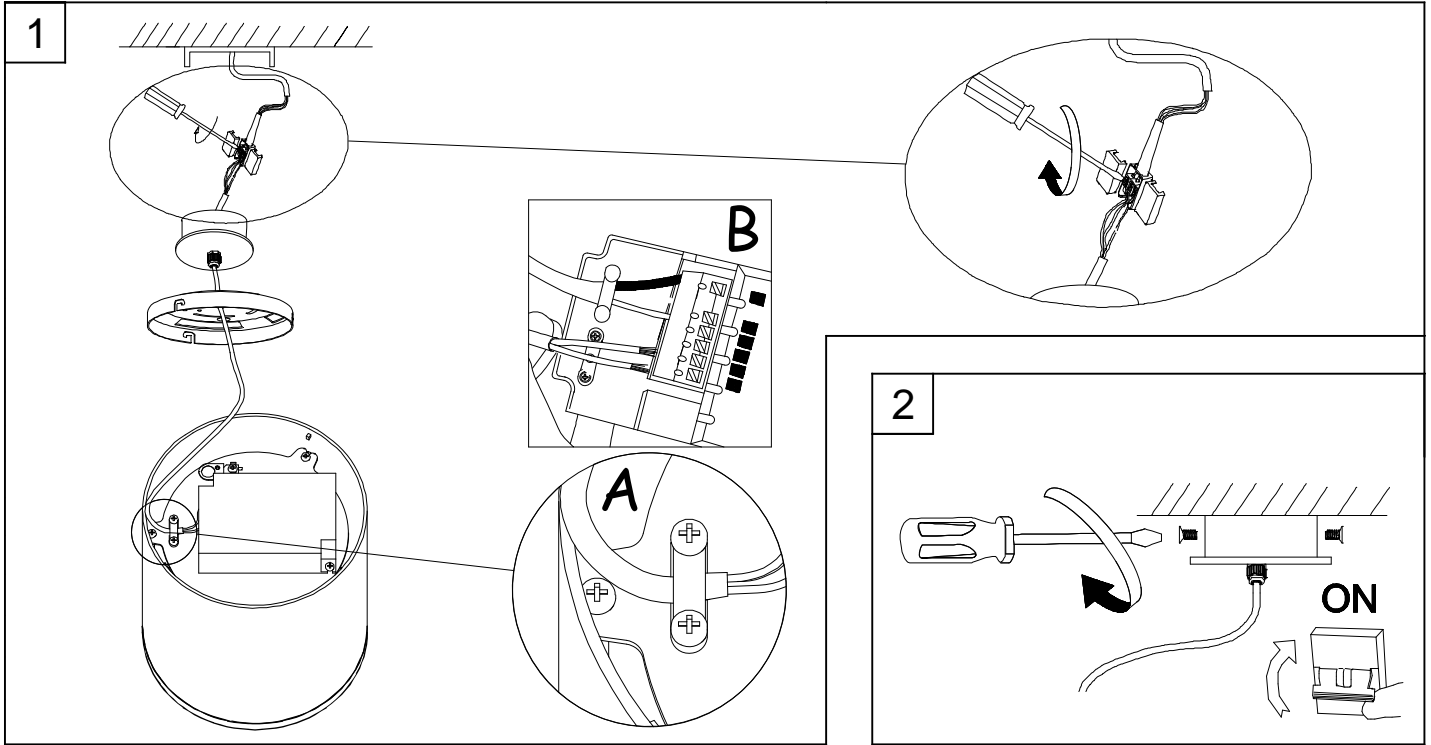
Honeycomb panel

Structure material: Steel
Dimensions: NA x NA x NA
Net weight (kg): 0.01





↓ SUSPENDED KIT



↓ TRACK CONNECTOR KIT

