

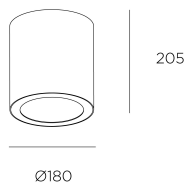
LEDS C4[®]

EXIT

Josep Patsi

90-3525-14-OU

Ceiling fixture EXIT 25.9W 3000K CRI 90 White IP23



TECHNICAL FEATURES



Power (W) : 25.9W

Total power consumption of light (W) : 26.9W

Colour temperature : LED warm-white 3000K

Structure material : Aluminium

Structure finish : White

Diffuser material : Glass

Diffuser finish : Transparent

Useful life : 50.000h L80B20

Equipment included : Yes, electronic

Voltage / frequency : 100-240VAC/50-60Hz

Warranty : 2 Years

Max. temperature : 25°C

Energy efficiency : LED A++

LUMINOTECHNIC FEATURES

Light source: LED CREE

CRI: 90

MacAdam steps: 2

Photobiological risk: RG1

LOGISTICS

Net weight (kg): 2.13

Packaged weight (kg): 2.32





71-3223-60-00

Black suspension kit

Structure material: Aluminium
Dimensions: 111 x max 2,5 x 33,5
Net weight (kg): 0.32



71-3531-60-00

Track connector

Structure material: Polypropylene
Dimensions: 111 x max 2,5 x 33,5
Net weight (kg): 0.25



71-3223-14-00

White suspension kit

Structure material: Aluminium
Dimensions: 111 x max 2,5 x 33,5
Net weight (kg): 0.32



ACT-9180-60-00

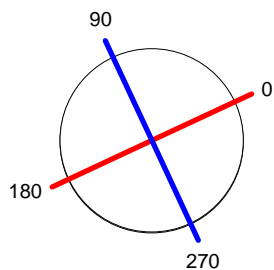
Honeycomb panel

Structure material: Steel
Dimensions: NA x NA x NA
Net weight (kg): 0.01

Luminaire		Measur.		Lamp	
Code	90-3525-14-37	Code	90-3296-14-37	Code	L3296 25.9W 90 3000K
Name	Downlight led 25.9W 38° 3000K	Name	Downlight led 25.9W 38° 3000K	Number	1
Line	Eulumdat	Date	29-04-2014	Position	
Efficiency	100.00%	Coordinate system	CG	Total Flux	1577.01 lm
Maximum value	2666.52 cd	Position	C=0.00 G=0.00	Double Symmetrical	
Round Luminaire	Diam.	175 mm	Height	2 mm	
Round Luminous Area	Diam.	110 mm	Height	0 mm	
Horizontal Luminous Area	0.009503 m2	Emitting area on Plane 180°	0.000000 m2		
Emitting area on Plane 0°	0.000000 m2	Emitting area on Plane 270°	0.000000 m2		
Emitting area on Plane 90°	0.000000 m2	Glare area at 76°	0.002299 m2		
Symmetry Type	Double Symmetrical	Maximum Gamma Angle	90		
Measurement Distance	0.00	Measurement Flux	1577.01 lm		
Operator	Asselum T2	Source voltage			
Temperature	25.00 °C	Source current			
Humidity	60.00 %	Photocell			
Notes					

Luminaire Lamps						
Line	Code	Name	Flux [lm]	Pow. [W]	Q.ty	
Eulumdat	L3296 25.9W 90 3000K	L3296 25.9W 90 3000K - 26.00 W	1577.01	26.00	1	
C.I.E.	94 99 100 100 100	D DIN 5040				
F UTE	1.00 A	B NBN				
		A60				
		BZ 1				

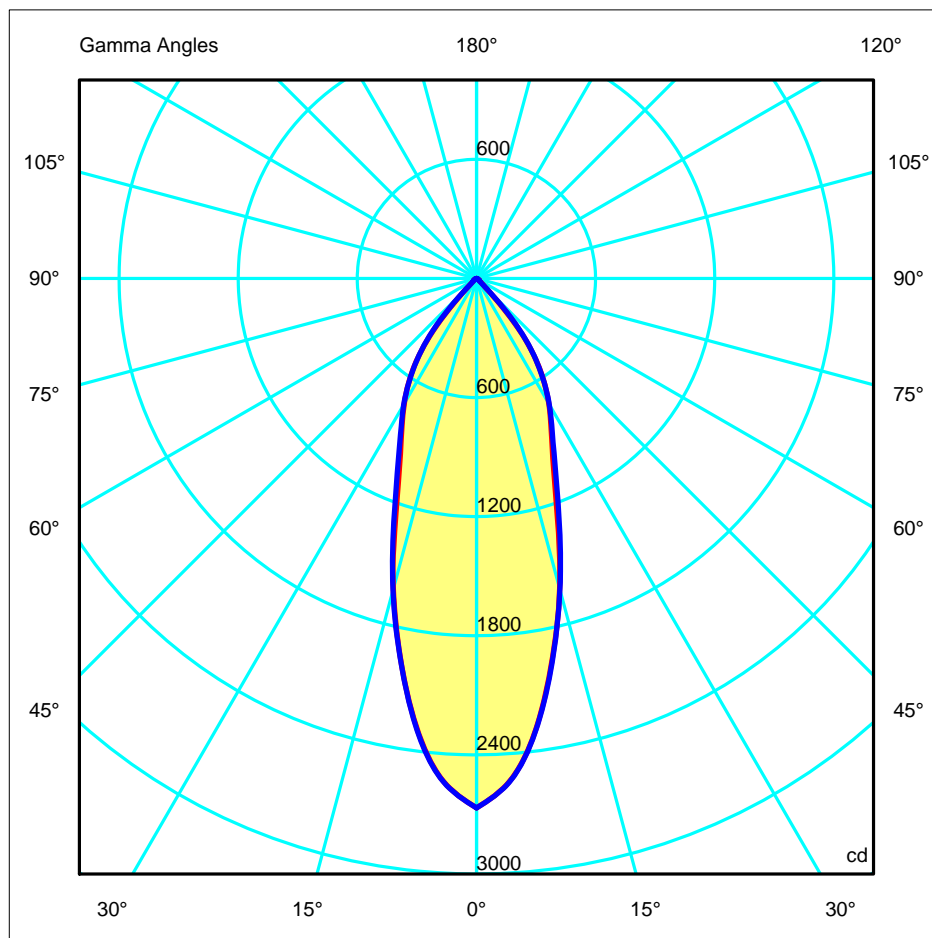
Diam=175mm



C Halfplanes

180.0 — 0.0
270.0 — 90.0

ULOR 0.00 %
DLOR 100.00 %
RN 0.00 %

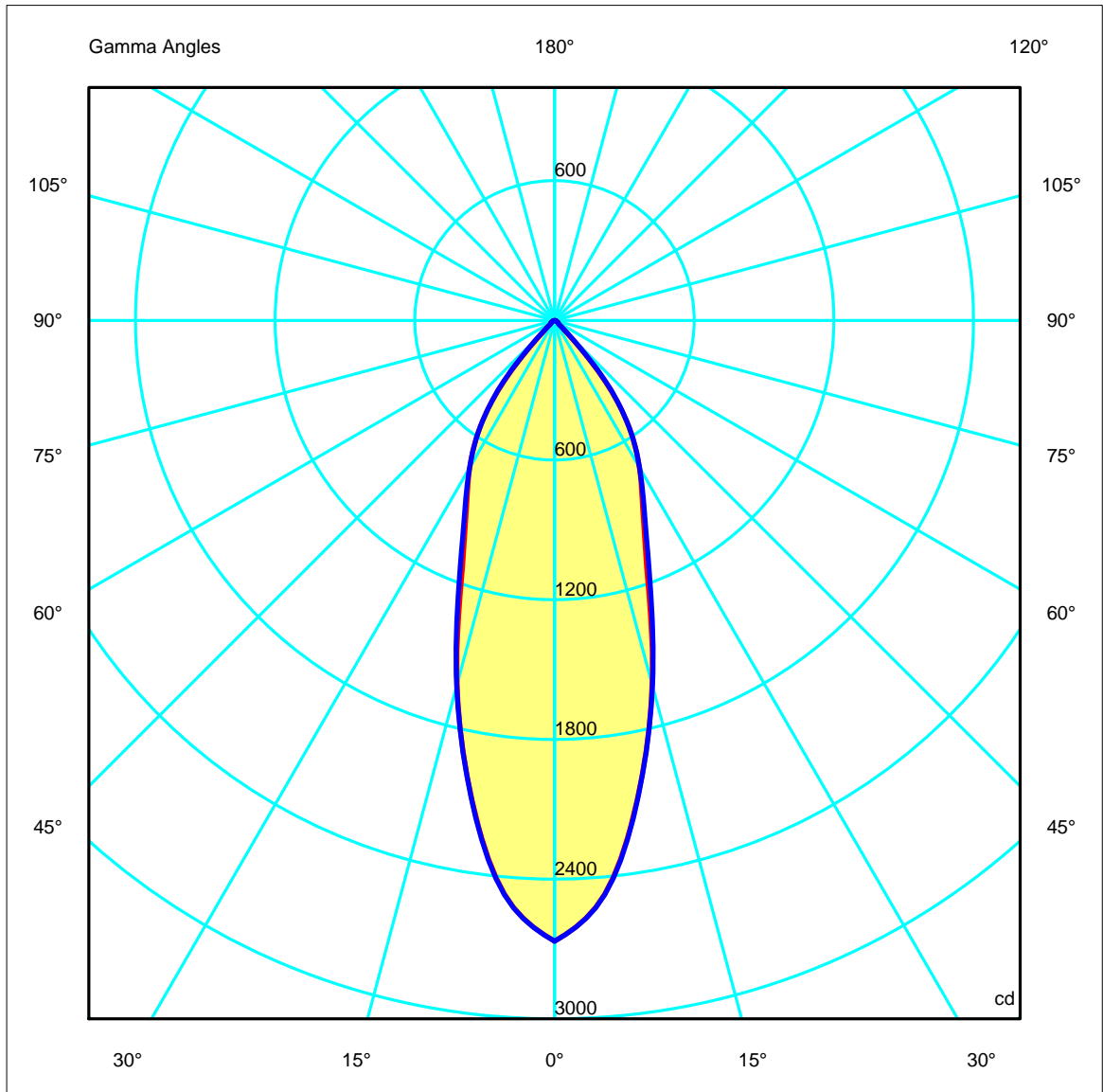
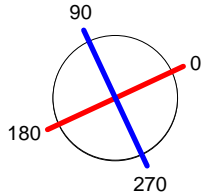


Luminaire		Measur.		Lamp	
Code	90-3525-14-37	Code	90-3296-14-37	Code	L3296 25.9W 90 3000K
Name	Downlight led 25.9W 38° 3000K	Name	Downlight led 25.9W 38° 3000K	Number	1
Line	Eulumdat	Date	29-04-2014	Position	
Efficiency	100.00%	Coordinate system	CG	Total Flux	1577.01 lm

Diam=175mm

C Halfplanes

180.0 ——— 0.0
 270.0 ——— 90.0

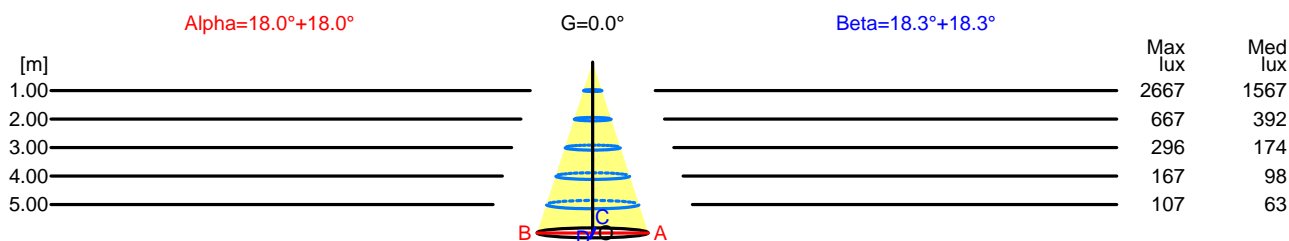


Luminaire		Measur.		Lamp	
Code	90-3525-14-37	Code	90-3296-14-37	Code	L3296 25.9W 90 3000K
Name	Downlight led 25.9W 38° 3000K	Name	Downlight led 25.9W 38° 3000K	Number	1
Line	Eulumdat	Date	29-04-2014	Position	
Efficiency	100.00%	Coordinate system	CG	Total Flux	1577.01 lm

Width at 50.00 % of Max Intensity

H[m]	1.00	2.00	3.00	4.00	5.00	H[m]	1.00	2.00	3.00	4.00	5.00
OA	0.33	0.65	0.98	1.30	1.63	OC	0.33	0.66	0.99	1.32	1.65
OB	0.33	0.65	0.98	1.30	1.63	OD	0.33	0.66	0.99	1.32	1.65

	Luminous Intensities [cd]									
	0	5	15	25	35	45	55	65	75	85
OA	2666.52	2472.90	1617.73	897.16	556.15	60.89	18.08	10.59	3.25	0.32
OB	2666.52	2472.90	1617.73	897.16	556.15	60.89	18.08	10.59	3.25	0.32
OC	2666.52	2475.49	1624.47	913.31	551.44	78.06	18.45	10.63	3.15	0.29
OD	2666.52	2475.49	1624.47	913.31	551.44	78.06	18.45	10.63	3.15	0.29



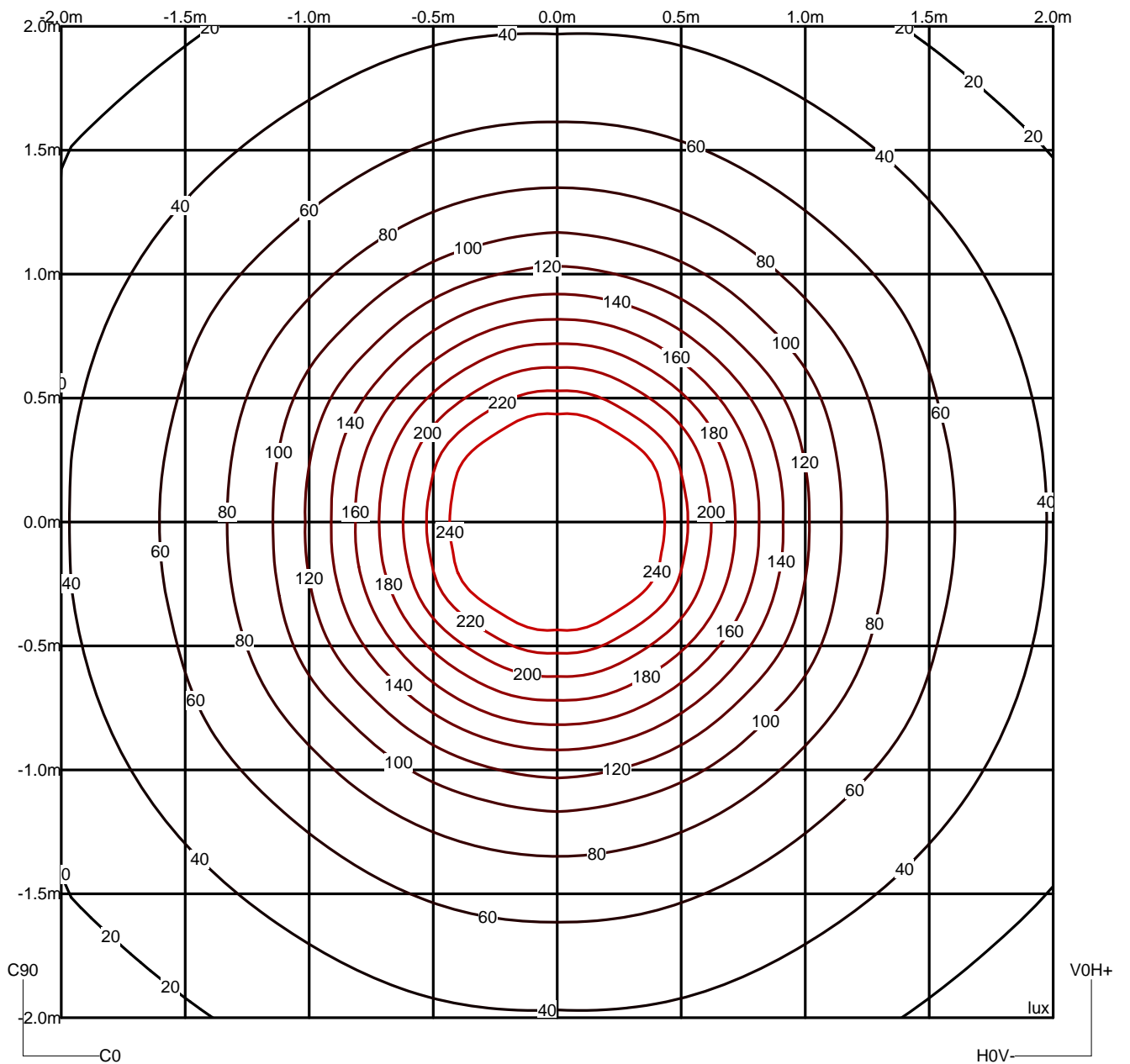
H[m]	D[m]	Max lux	Med lux	Alpha=18.0°+18.0°	G=0.0	
1.00	0.65	2667	1567			
2.00	1.30	667	392			
3.00	1.95	296	174			
4.00	2.60	167	98			
5.00	3.25	107	63			

H[m]	D[m]	Max lux	Med lux	Beta=18.3°+18.3°	G=0.0	
1.00	0.66	2667	1567			
2.00	1.32	667	392			
3.00	1.99	296	174			
4.00	2.65	167	98			
5.00	3.31	107	63			

Luminaire		Measuram.		Lamp	
Code	90-3525-14-37	Code	90-3296-14-37	Code	L3296 25.9W 90 3000K
Name	Downlight led 25.9W 38° 3000K	Name	Downlight led 25.9W 38° 3000K	Number	1
Line	Eulumdat	Date	29-04-2014	Position	
Efficiency	100.00%	Coordinate system	CG	Total Flux	1577.01 lm

Isolux (Floor)

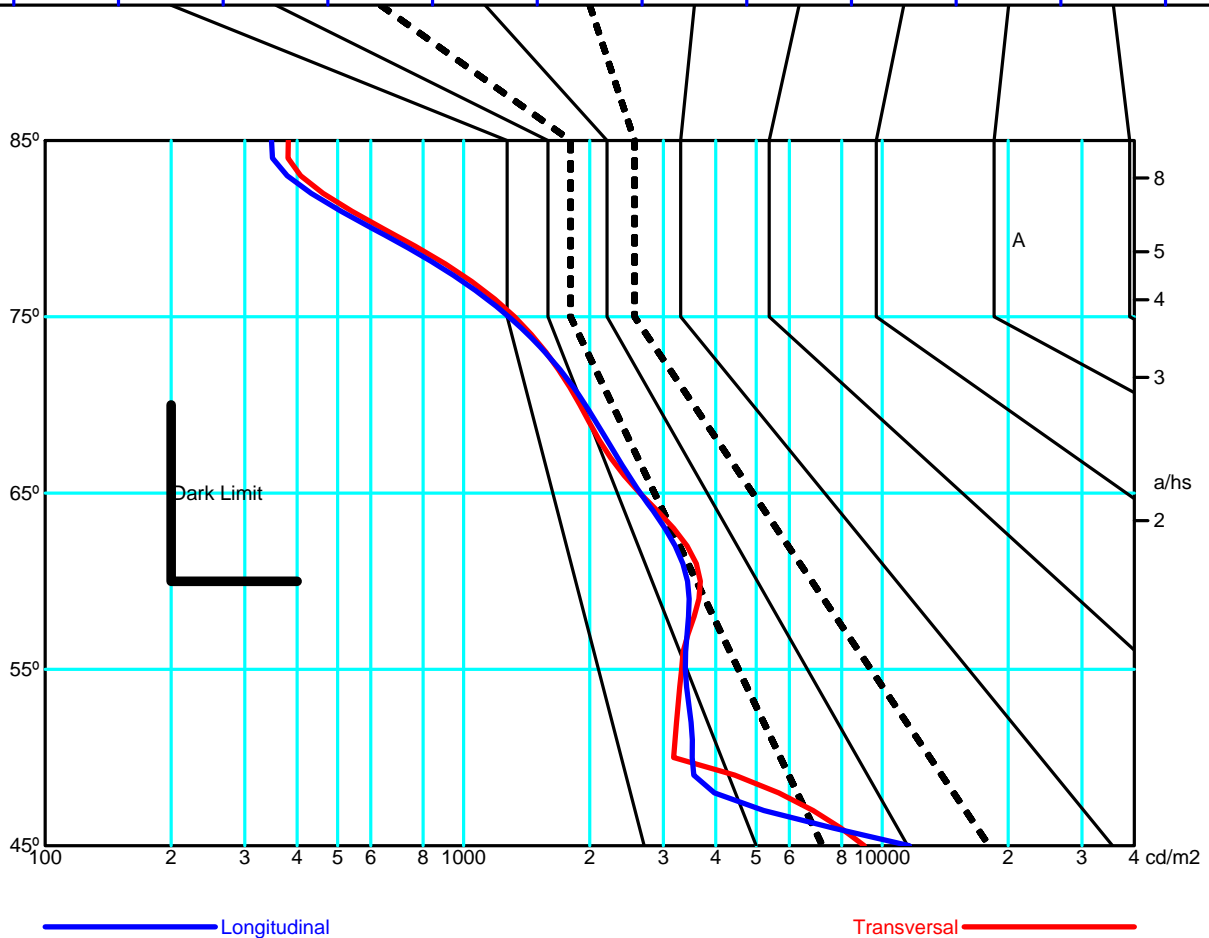
Luminaire position X=0.00m Y=0.00m Z=3.00m



Luminaire		Measur.		Lamp	
Code	90-3525-14-37	Code	90-3296-14-37	Code	L3296 25.9W 90 3000K
Name	Downlight led 25.9W 38° 3000K	Name	Downlight led 25.9W 38° 3000K	Number	1
Line	Eulumdat	Date	29-04-2014	Position	
Efficiency	100.00%	Coordinate system	CG	Total Flux	1577.01 lm

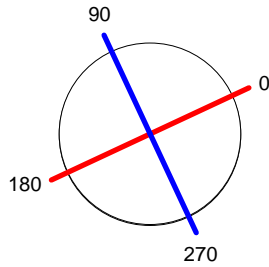
Average Luminance [cd/m ²]											
	0.0°	45°	50°	55°	60°	65°	70°	75°	80°	85°	
	90.0°	11616	3515	3386	3427	2647	1956	1281	607	347	---

Flush mounted or longitudinal view												
		Illumination(lx)										
A	A	2000	1000	750	500		<300					1.15
B	1		2000	1500	1000	750	500	<300				1.5
C					2000		1000	500	<300			1.85
D	2						2000	1000	500	<300		2.2
E	3							2000	1000	500	<300	2.55

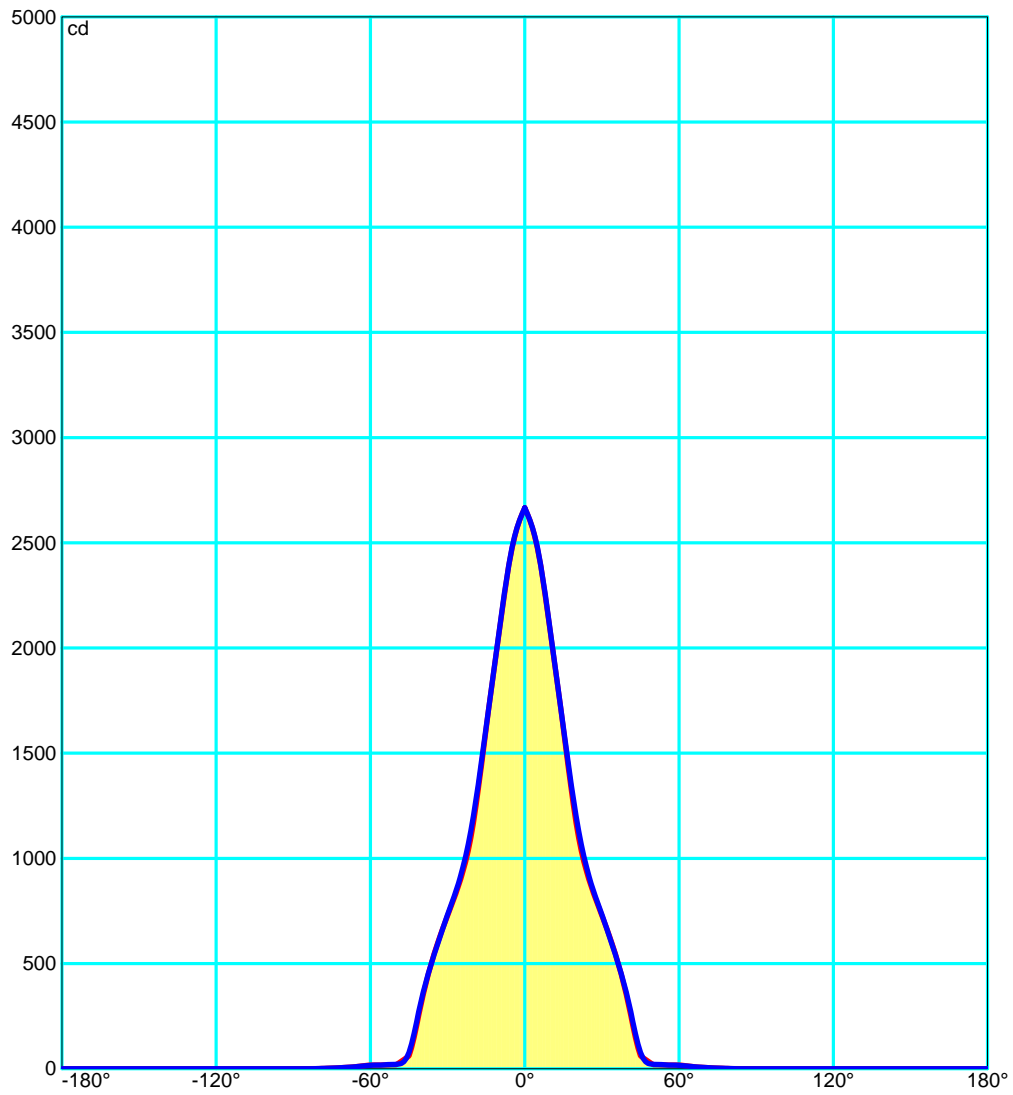


Luminaire		Measur.		Lamp	
Code	90-3525-14-37	Code	90-3296-14-37	Code	L3296 25.9W 90 3000K
Name	Downlight led 25.9W 38° 3000K	Name	Downlight led 25.9W 38° 3000K	Number	1
Line	Eulumdat	Date	29-04-2014	Position	
Efficiency	100.00%	Coordinate system	CG	Total Flux	1577.01 lm

Diam=175mm



C Halfplanes



Luminaire		Measur.		Lamp	
Code	90-3525-14-37	Code	90-3296-14-37	Code	L3296 25.9W 90 3000K
Name	Downlight led 25.9W 38° 3000K	Name	Downlight led 25.9W 38° 3000K	Number	1
Line	Eulumdat	Date	29-04-2014	Position	
Efficiency	100.00%	Coordinate system	CG	Total Flux	1577.01 lm

UGR
S = 0.250

Reflectancies										
Ceiling/Cavity	0.7	0.7	0.5	0.5	0.3	0.7	0.7	0.5	0.5	0.3
Walls	0.5	0.3	0.5	0.3	0.3	0.5	0.3	0.5	0.3	0.3
WorkingPlane	0.2	0.2	0.2	0.2	0.2	0.2	0.2	0.2	0.2	0.2
RoomDimensions	ViewedCrosswise					ViewedEndwise				
x=2H y=2H	18.3	19.0	18.5	19.2	19.3	18.2	18.9	18.5	19.1	19.3
x=2H y=3H	18.2	18.9	18.5	19.1	19.2	18.1	18.8	18.4	19.0	19.2
x=2H y=4H	18.2	18.8	18.5	19.0	19.2	18.1	18.7	18.4	18.9	19.2
x=2H y=6H	18.1	18.7	18.4	18.9	19.1	18.0	18.6	18.3	18.8	19.1
x=2H y=8H	18.1	18.6	18.4	18.9	19.1	18.0	18.5	18.3	18.8	19.1
x=2H y=12H	18.0	18.5	18.4	18.8	19.1	17.9	18.4	18.3	18.7	19.1
x=4H y=2H	18.1	18.7	18.4	19.0	19.2	18.0	18.7	18.4	18.9	19.2
x=4H y=3H	18.1	18.6	18.4	18.9	19.1	18.0	18.5	18.3	18.8	19.1
x=4H y=4H	18.0	18.5	18.4	18.8	19.0	17.9	18.4	18.3	18.7	19.0
x=4H y=6H	17.9	18.3	18.3	18.7	19.0	17.9	18.2	18.3	18.6	19.0
x=4H y=8H	17.9	18.2	18.3	18.6	18.9	17.8	18.1	18.2	18.5	18.9
x=4H y=12H	17.9	18.2	18.3	18.5	18.9	17.8	18.1	18.2	18.5	18.9
x=8H y=4H	17.9	18.2	18.3	18.6	18.9	17.8	18.2	18.2	18.5	18.9
x=8H y=6H	17.8	18.1	18.3	18.5	18.8	17.7	18.0	18.2	18.4	18.8
x=8H y=8H	17.8	18.0	18.3	18.4	18.8	17.7	17.9	18.2	18.3	18.8
x=8H y=12H	17.7	17.9	18.2	18.4	18.8	17.7	17.8	18.1	18.3	18.8
x=12H y=4H	17.9	18.2	18.3	18.5	18.9	17.8	18.1	18.2	18.5	18.9
x=12H y=6H	17.8	18.0	18.3	18.4	18.8	17.7	17.9	18.2	18.3	18.8
x=12H y=8H	17.7	17.9	18.2	18.4	18.8	17.7	17.8	18.1	18.3	18.8

Luminaire

Code 90-3525-14-37
 Name Downlight led 25.9W 38° 3000K
 Line Eulumdat

Measuram.

Code 90-3296-14-37
 Name Downlight led 25.9W 38° 3000K
 Date 29-04-2014

Lamp

Code L3296 25.9W 90 3000K
 Number 1
 Position

Efficiency 100.00% Coordinate system CG Total Flux 1577.01 lm

Total Flux=1577.01 Luminaire Flux=1577.00

RI	0.60	0.80	1.00	1.25	1.50	2.00	2.50	3.00	4.00	5.00	10.00	20.00
DRR	0.69	0.74	0.79	0.83	0.86	0.91	0.94	0.96	0.98	0.99	1.01	1.02
RC	-	-	-	-	-	-	-	-	-	-	-	-

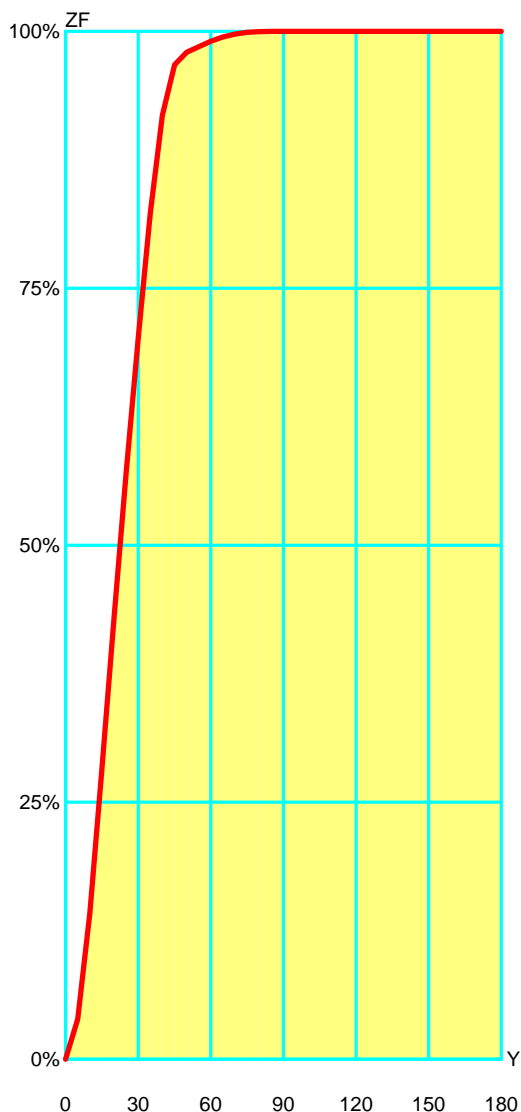
Zonal Flux per 1000 Lumen

Y°	10	20	30	40	50	60	70	80	90	100	110	120	130	140	150	160	170	180
ZF(Y)	143	430	702	919	980	990	997	1000	1000	1000	1000	1000	1000	1000	1000	1000	1000	1000

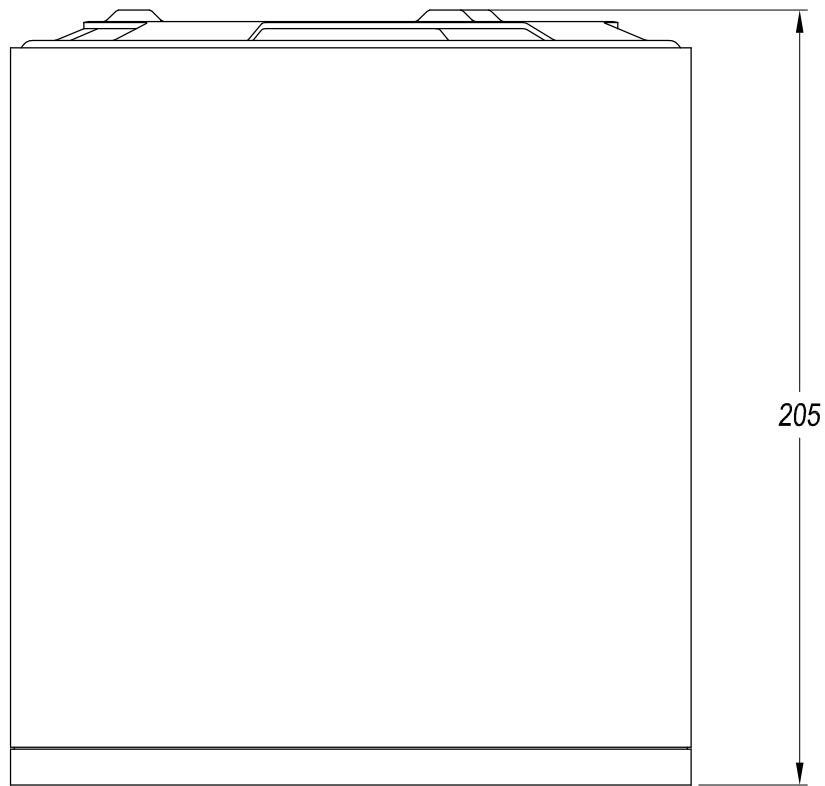
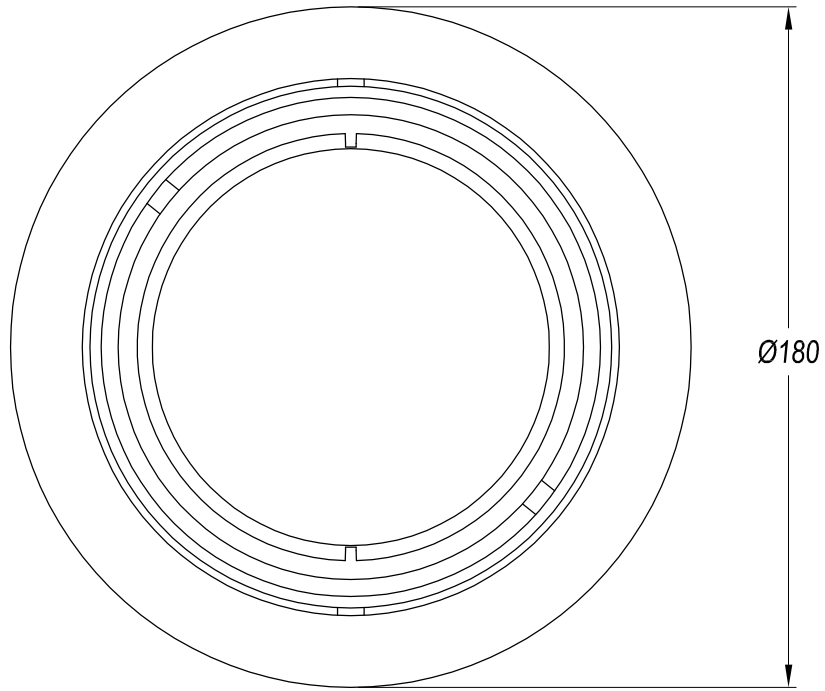
CIE Flux Codes

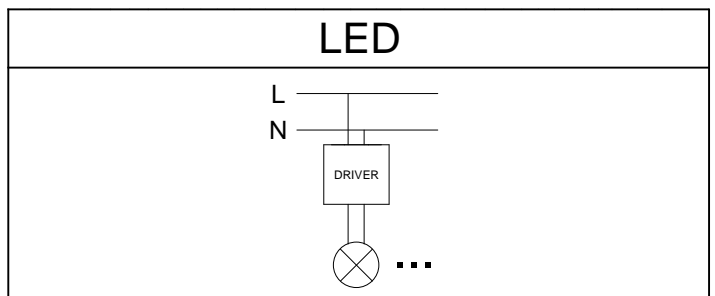
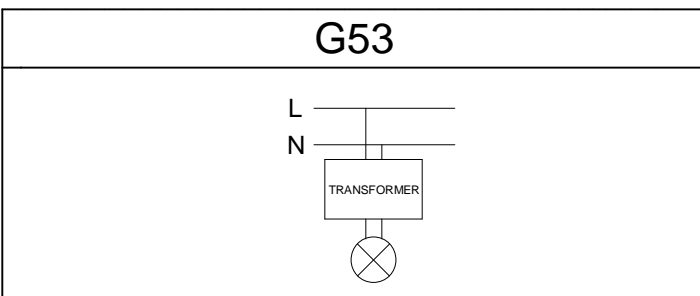
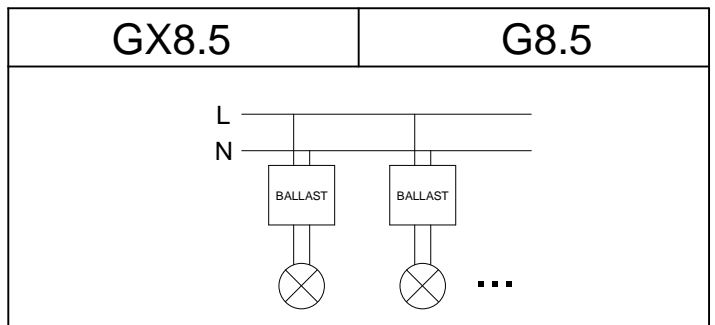
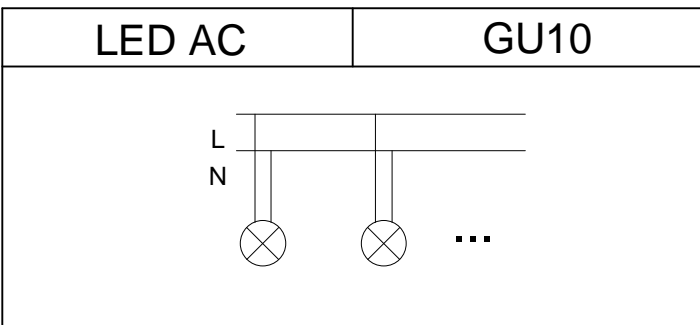
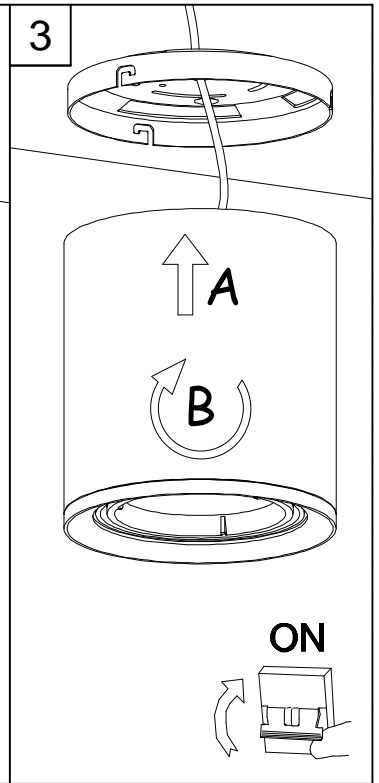
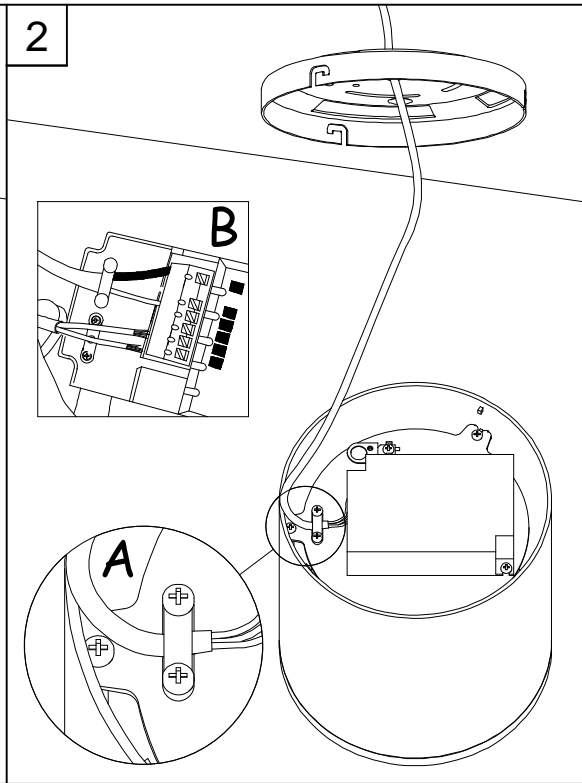
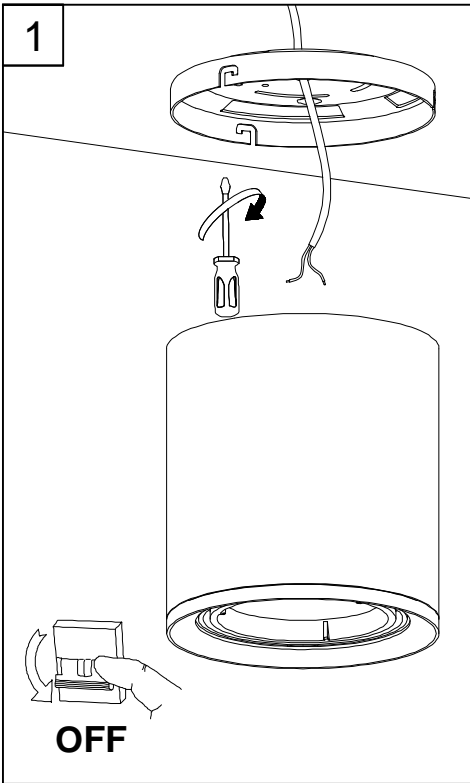
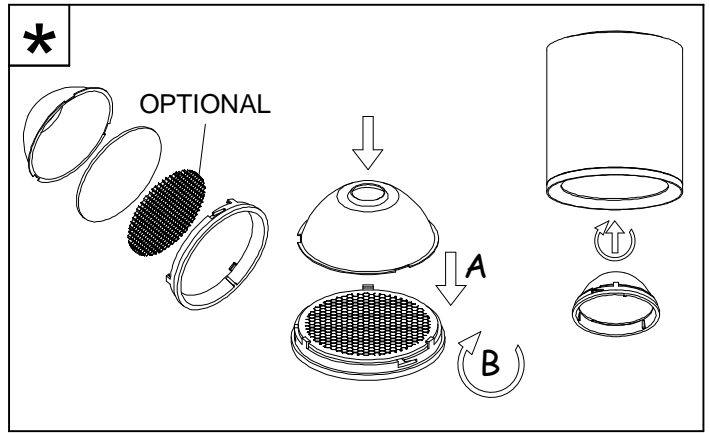
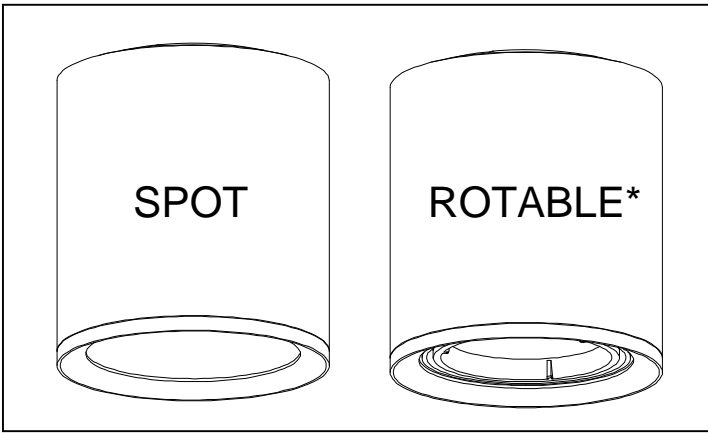
94 99 100 100 100

C.I.E.	-/-/-/-/-/-/-/-/-/-	LOR	99.99957 %
D DIN 5040	A60	ULOR	0.00000 %
F UTE	1.00 A	DLOR	99.99957 %
B NBN	BZ 1	UFF	0.00000 %
RN	0.00000 %	DFF	100.00000 %
BLF	1.0	FFR	0.00000 %

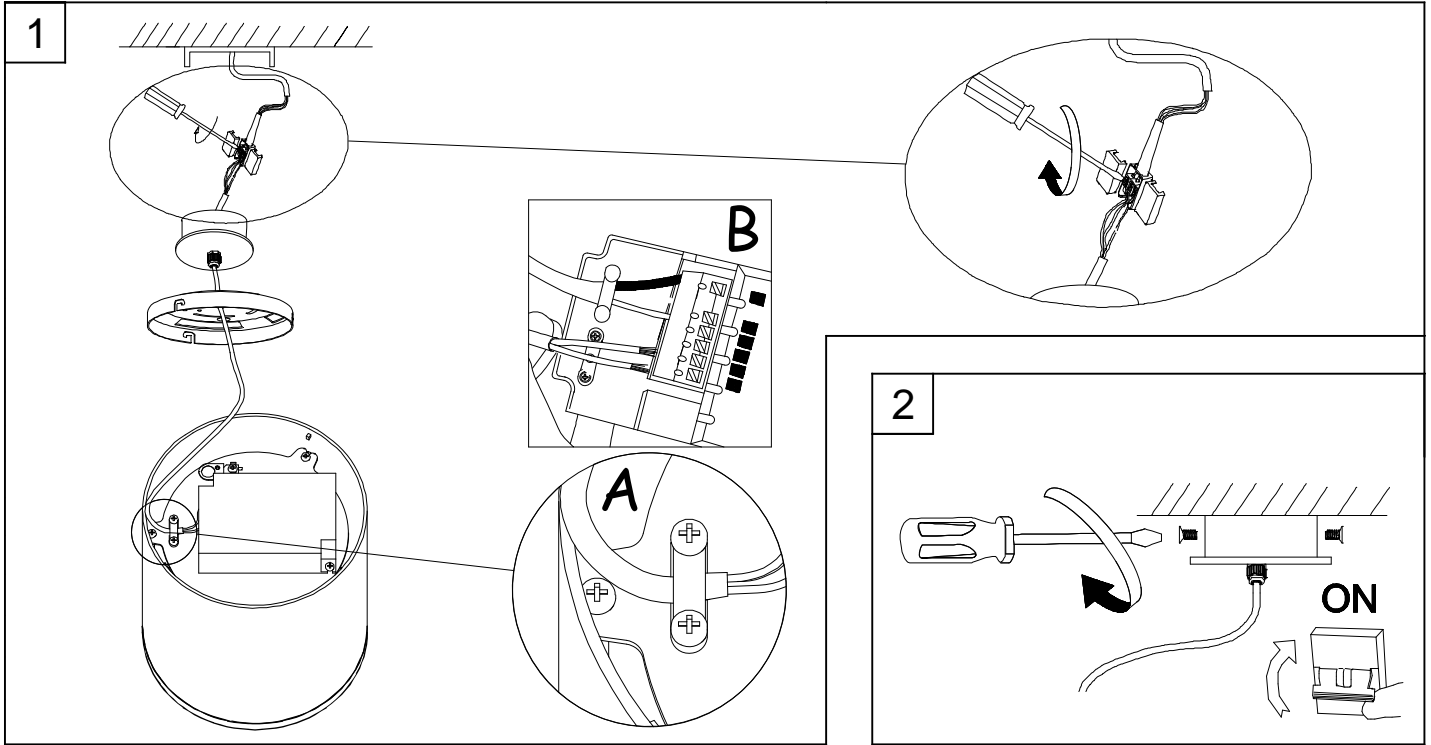


Zonal Flux				
Gamma °	Flux	Sum lm	Flux [%]	Sum [%]
0°	0.00	0.00	0.00%	0.00 %
5°	39.06	39.06	3.91 %	3.91 %
10°	103.61	142.67	10.36 %	14.27 %
15°	139.60	282.27	13.96 %	28.23 %
20°	147.54	429.81	14.75 %	42.98 %
25°	139.91	569.72	13.99 %	56.97 %
30°	131.97	701.69	13.20 %	70.17 %
35°	121.10	822.78	12.11 %	82.28 %
40°	95.81	918.59	9.58 %	91.86 %
45°	48.84	967.43	4.88 %	96.74 %
50°	12.17	979.60	1.22 %	97.96 %
55°	5.43	985.03	0.54 %	98.50 %
60°	5.19	990.22	0.52 %	99.02 %
65°	4.35	994.57	0.44 %	99.46 %
70°	2.78	997.36	0.28 %	99.74 %
75°	1.58	998.94	0.16 %	99.89 %
80°	0.73	999.67	0.07 %	99.97 %
85°	0.23	999.90	0.02 %	99.99 %
90°	0.09	1000.00	0.01 %	100.00 %
95°	0.00	1000.00	0.00 %	100.00 %
100°	0.00	1000.00	0.00 %	100.00 %
105°	0.00	1000.00	0.00 %	100.00 %
110°	0.00	1000.00	0.00 %	100.00 %
115°	0.00	1000.00	0.00 %	100.00 %
120°	0.00	1000.00	0.00 %	100.00 %
125°	0.00	1000.00	0.00 %	100.00 %
130°	0.00	1000.00	0.00 %	100.00 %
135°	0.00	1000.00	0.00 %	100.00 %
140°	0.00	1000.00	0.00 %	100.00 %
145°	0.00	1000.00	0.00 %	100.00 %
150°	0.00	1000.00	0.00 %	100.00 %
155°	0.00	1000.00	0.00 %	100.00 %
160°	0.00	1000.00	0.00 %	100.00 %
165°	0.00	1000.00	0.00 %	100.00 %
170°	0.00	1000.00	0.00 %	100.00 %
175°	0.00	1000.00	0.00 %	100.00 %
180°	0.00	1000.00	0.00 %	100.00 %





↓ SUSPENDED KIT



↓ TRACK CONNECTOR KIT

