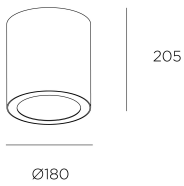


EXIT

Josep Patsi

90-2996-14-OU

Ceiling fixture EXIT 25.9W 4000K CRI 80 White IP23 2084lm



TECHNICAL FEATURES

IP23



±40°



Power (W) : 25.9W

Total power consumption of light (W) : 26.9W

Raw lumens : 2084

Raw lm/W : 77

Colour temperature : LED neutral-white 4000K

Structure material : Aluminium

Structure finish : White

Diffuser material : Glass

Diffuser finish : Transparent

Useful life : 50.000h L80B20

Equipment included : Yes, electronic

Voltage / frequency : 100-240VAC/50-60Hz

Warranty : 2 Years

Max. temperature : 25°C

Energy efficiency : LED A++

LUMINOTECHNIC FEATURES

Light source: LED CREE

CRI: 80

MacAdam steps: 2

Photobiological risk: RG1

LOGISTICS

Net weight (kg): 2.13

Packaged weight (kg): 2.32



10 Un



71-3223-60-00

Black suspension kit

Structure material: Aluminium
Dimensions: 111 x max 2,5 x 33,5
Net weight (kg): 0.32



71-3531-60-00

Track connector

Structure material: Polypropylene
Dimensions: 111 x max 2,5 x 33,5
Net weight (kg): 0.25



71-3223-14-00

White suspension kit

Structure material: Aluminium
Dimensions: 111 x max 2,5 x 33,5
Net weight (kg): 0.32



ACT-9180-60-00

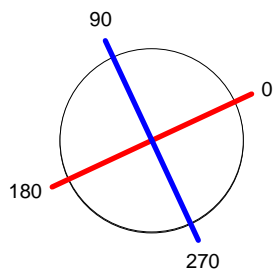
Honeycomb panel

Structure material: Steel
Dimensions: NA x NA x NA
Net weight (kg): 0.01

Luminaire		Measur.		Lamp	
Code	90-2996	Code	90-3296-14-37	Code	L2996 25.9W 80 4000K
Name	Downlight EXIT 25.9W 840 38°	Name	Downlight EXIT 25.9W 840 38°	Number	1
Line	Eulumdat	Date	29-04-2014	Position	
Efficiency	100.00%	Coordinate system	CG	Total Flux	2084.00 lm
Maximum value	3523.77 cd	Position	C=0.00 G=0.00	Double Symmetrical	
Round Luminaire	Diam.	175 mm	Height	2 mm	
Round Luminous Area	Diam.	110 mm	Height	0 mm	
Horizontal Luminous Area	0.009503 m2	Emitting area on Plane 180°	0.000000 m2		
Emitting area on Plane 0°	0.000000 m2	Emitting area on Plane 270°	0.000000 m2		
Emitting area on Plane 90°	0.000000 m2	Glare area at 76°	0.002299 m2		
Symmetry Type	Double Symmetrical	Maximum Gamma Angle	90		
Measurement Distance	0.00	Measurement Flux	2084.00 lm		
Operator	Asselum T2	Source voltage			
Temperature	25.00 °C	Source current			
Humidity	60.00 %	Photocell			
Notes					

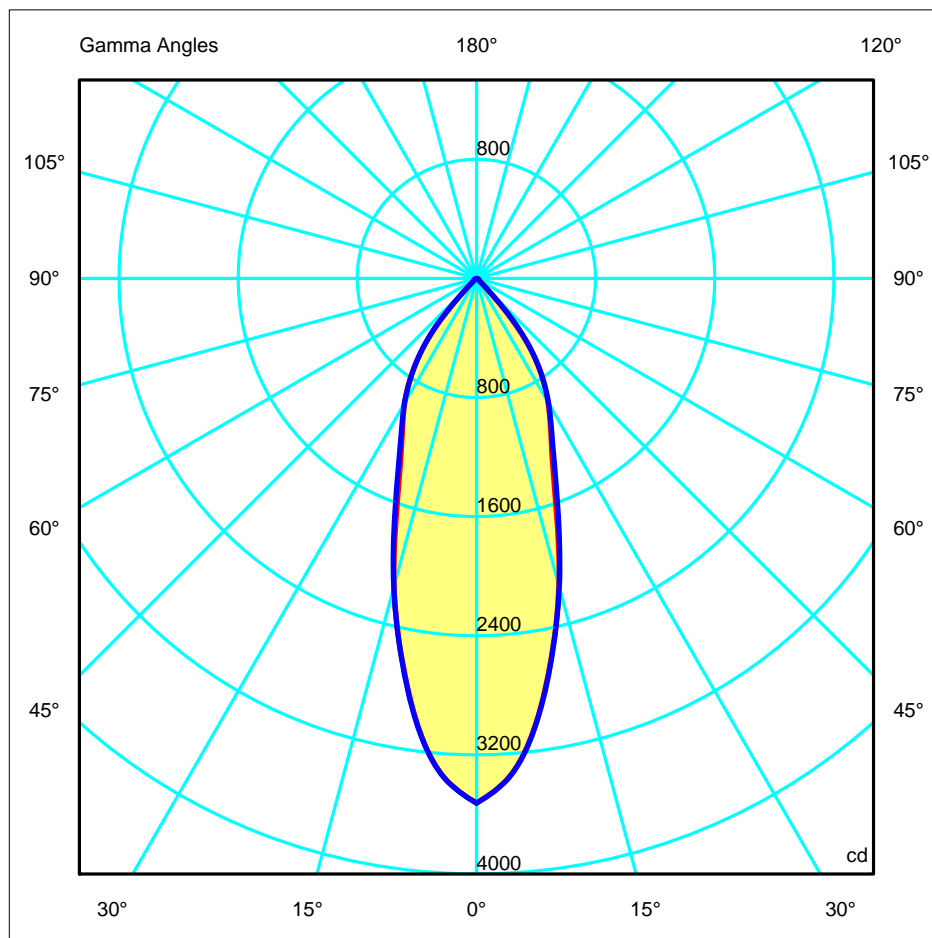
Luminaire Lamps						
Line	Code	Name	Flux [lm]	Pow. [W]	Q.ty	
Eulumdat	L2996 25.9W 80 4000K	L2996 25.9W 80 4000K - 26.00 W	2084.00	26.00	1	
C.I.E.	94 99 100 100 100	D DIN 5040				
F UTE	1.00 A	B NBN				
		A60				
		BZ 1				

Diam=175mm



C Halfplanes
 180.0 — 0.0
 270.0 — 90.0

ULOR 0.00 %
 DLOR 100.00 %
 RN 0.00 %

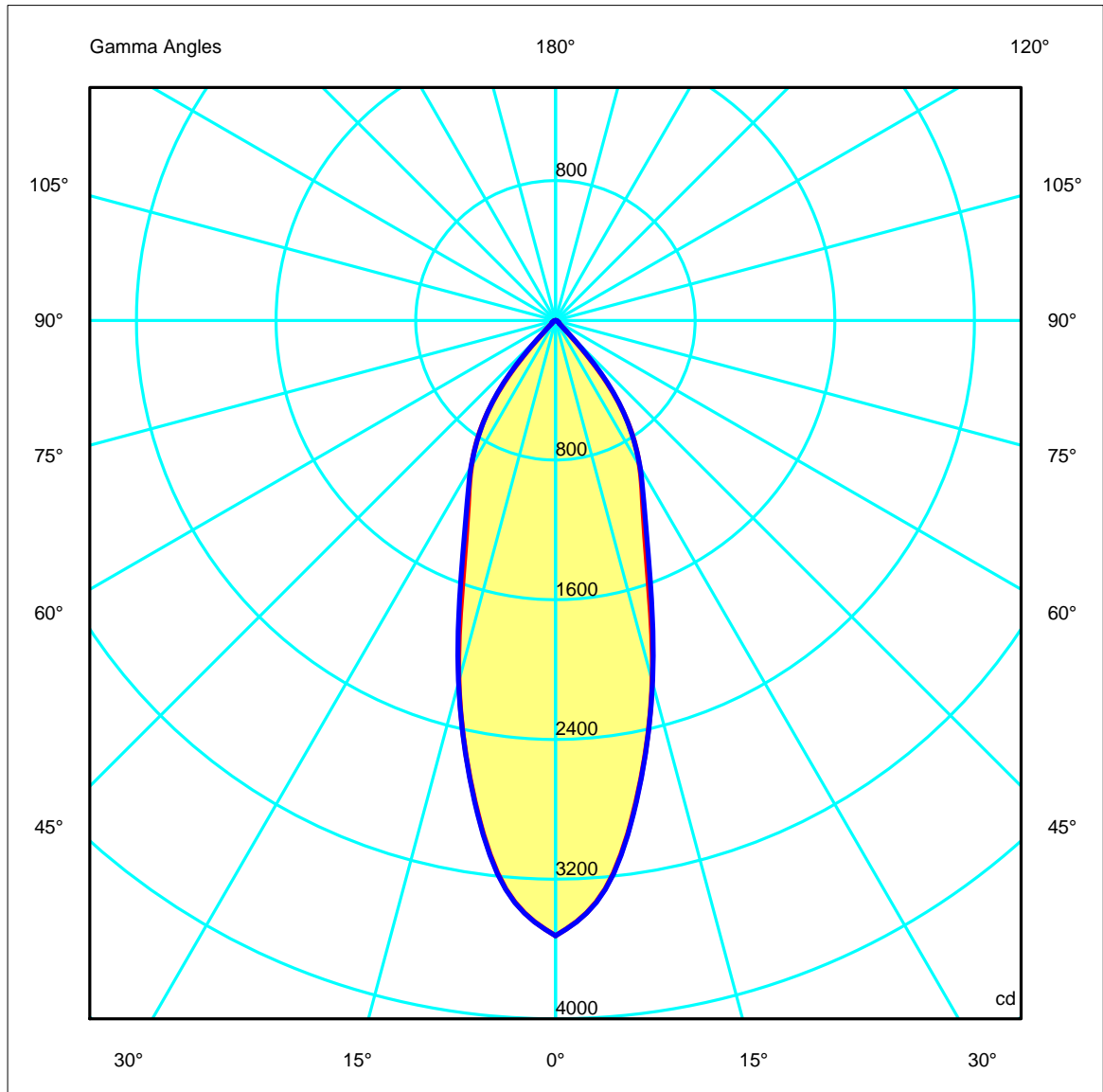
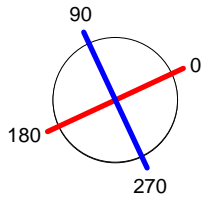


Luminaire		Measur.		Lamp	
Code	90-2996	Code	90-3296-14-37	Code	L2996 25.9W 80 4000K
Name	Downlight EXIT 25.9W 840 38°	Name	Downlight EXIT 25.9W 840 38°	Number	1
Line	Eulumdat	Date	29-04-2014	Position	
Efficiency	100.00%	Coordinate system	CG	Total Flux	2084.00 lm

Diam=175mm

C Halfplanes

180.0 ——— 0.0
 270.0 ——— 90.0



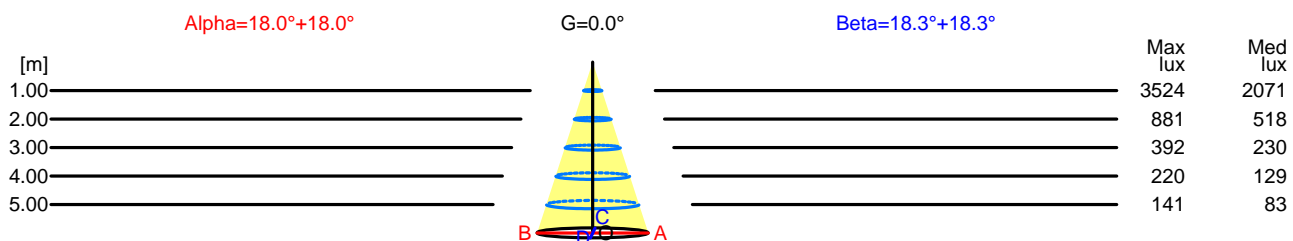
Luminaire		Measur.		Lamp	
Code	90-2996	Code	90-3296-14-37	Code	L2996 25.9W 80 4000K
Name	Downlight EXIT 25.9W 840 38°	Name	Downlight EXIT 25.9W 840 38°	Number	1
Line	Eulumdat	Date	29-04-2014	Position	
Efficiency	100.00%	Coordinate system	CG	Total Flux	2084.00 lm

Width at 50.00 % of Max Intensity

H[m]	1.00	2.00	3.00	4.00	5.00	H[m]	1.00	2.00	3.00	4.00	5.00
OA	0.33	0.65	0.98	1.30	1.63	OC	0.33	0.66	0.99	1.32	1.65
OB	0.33	0.65	0.98	1.30	1.63	OD	0.33	0.66	0.99	1.32	1.65

Luminous Intensities [cd]

	0	5	15	25	35	45	55	65	75	85
OA	3523.77	3267.91	2137.81	1185.59	734.94	80.47	23.89	13.99	4.30	0.42
OB	3523.77	3267.91	2137.81	1185.59	734.94	80.47	23.89	13.99	4.30	0.42
OC	3523.77	3271.33	2146.72	1206.93	728.72	103.15	24.39	14.05	4.17	0.38
OD	3523.77	3271.33	2146.72	1206.93	728.72	103.15	24.39	14.05	4.17	0.38



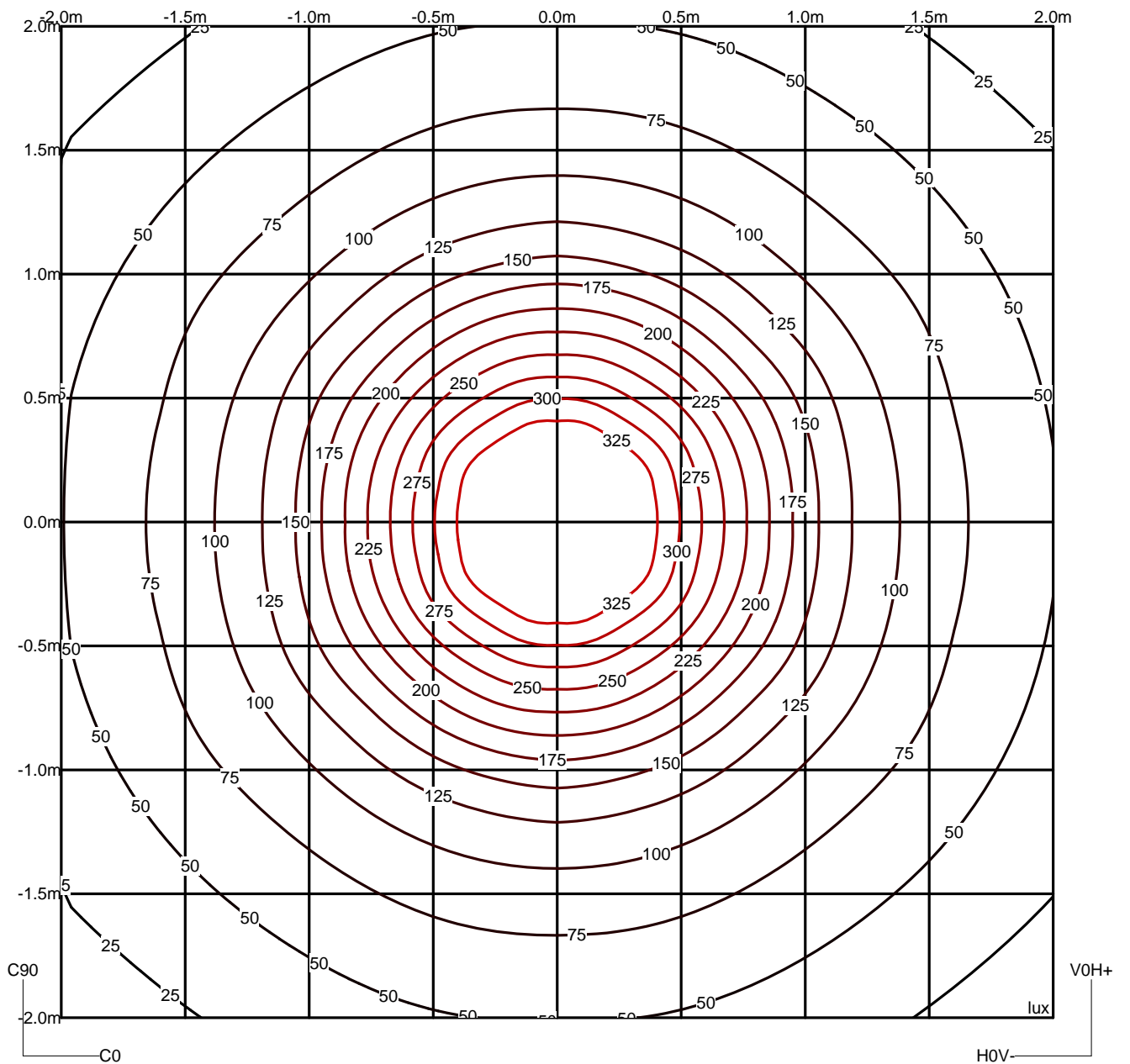
H[m]	D[m]	Max lux	Med lux	Alpha=18.0°+18.0°	G=0.0	
1.00	0.65	3524	2071			
2.00	1.30	881	518			
3.00	1.95	392	230			
4.00	2.60	220	129			
5.00	3.25	141	83			

H[m]	D[m]	Max lux	Med lux	Beta=18.3°+18.3°	G=0.0	
1.00	0.66	3524	2071			
2.00	1.32	881	518			
3.00	1.99	392	230			
4.00	2.65	220	129			
5.00	3.31	141	83			

Luminaire		Measur.		Lamp	
Code	90-2996	Code	90-3296-14-37	Code	L2996 25.9W 80 4000K
Name	Downlight EXIT 25.9W 840 38°	Name	Downlight EXIT 25.9W 840 38°	Number	1
Line	Eulmdat	Date	29-04-2014	Position	
Efficiency	100.00%	Coordinate system	CG	Total Flux	2084.00 lm

Isolux (Floor)

Luminaire position X=0.00m Y=0.00m Z=3.00m

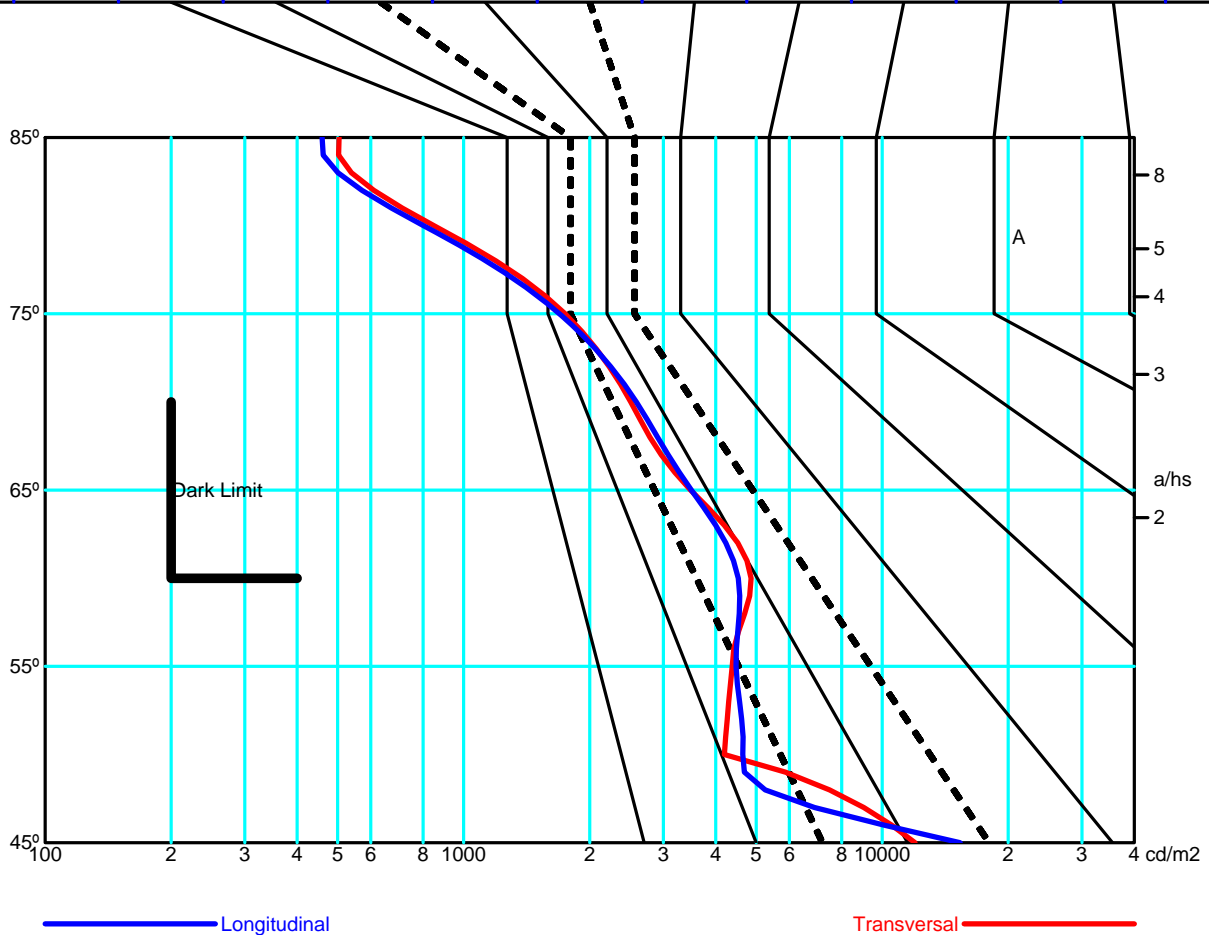


Luminaire	Measur.	Lamp
Code 90-2996	Code 90-3296-14-37	Code L2996 25.9W 80 4000K
Name Downlight EXIT 25.9W 840 38°	Name Downlight EXIT 25.9W 840 38°	Number 1
Line Eulumat	Date 29-04-2014	Position

Efficiency 100.00%	Coordinate system CG	Total Flux 2084.00 lm
--------------------	----------------------	-----------------------

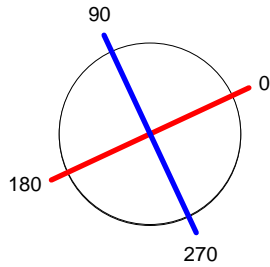
Average Luminance [cd/m ²]											
	0.0°	45°	50°	55°	60°	65°	70°	75°	80°	85°	
	15351	11975	4196	4383	4860	3485	2507	1748	849	504	---
	90.0°	15351	4644	4474	4528	3499	2585	1693	802	459	---

Flush mounted or longitudinal view												
		Illumination(lx)										
A	A	2000	1000	750	500		<300					1.15
B	1		2000	1500	1000	750	500	<300				1.5
C					2000		1000	500	<300			1.85
D	2						2000	1000	500	<300		2.2
E	3							2000	1000	500	<300	2.55

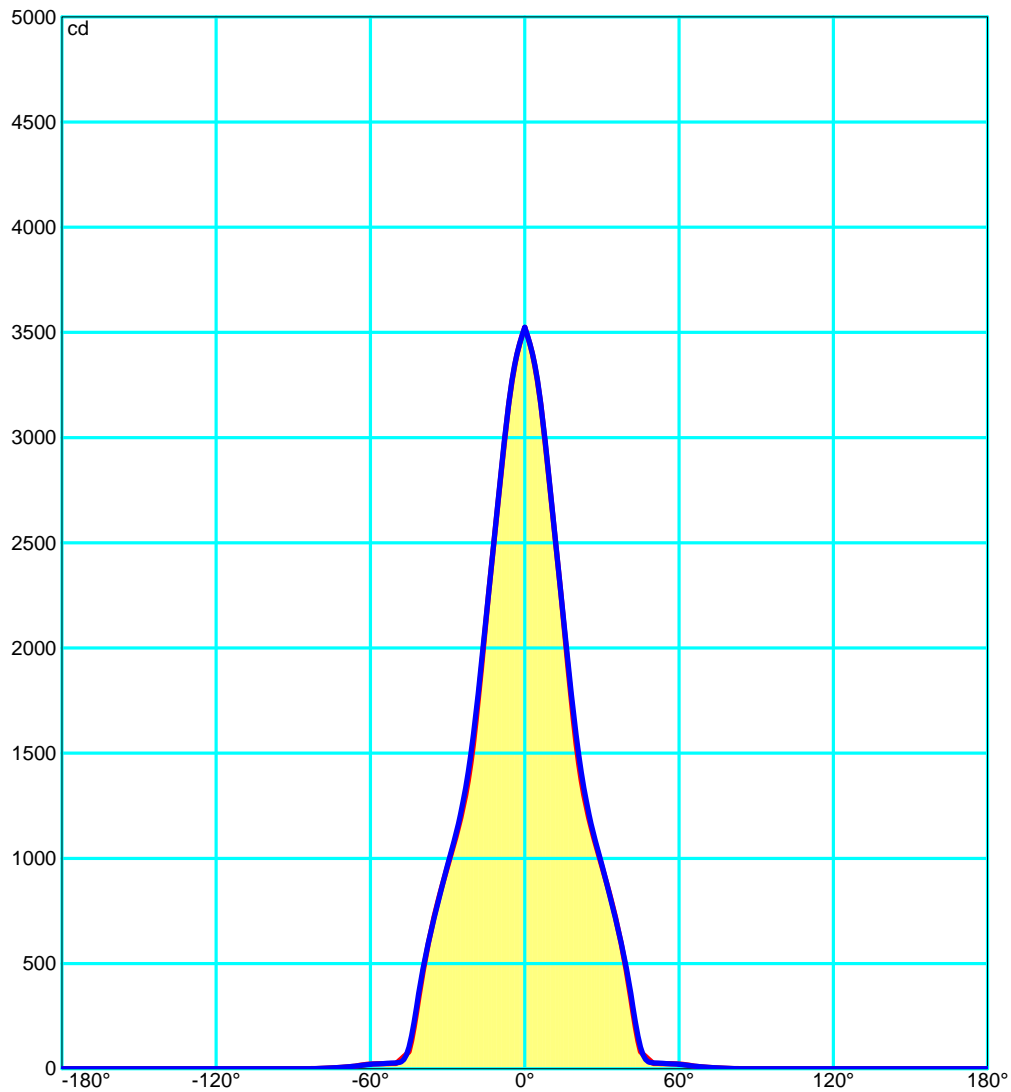


Luminaire		Measur.		Lamp	
Code	90-2996	Code	90-3296-14-37	Code	L2996 25.9W 80 4000K
Name	Downlight EXIT 25.9W 840 38°	Name	Downlight EXIT 25.9W 840 38°	Number	1
Line	Eulumdat	Date	29-04-2014	Position	
Efficiency	100.00%	Coordinate system	CG	Total Flux	2084.00 lm

Diam=175mm



C Halfplanes



Luminaire	Measur.	Lamp
Code 90-2996	Code 90-3296-14-37	Code L2996 25.9W 80 4000K
Name Downlight EXIT 25.9W 840 38°	Name Downlight EXIT 25.9W 840 38°	Number 1
Line Eulumdat	Date 29-04-2014	Position
Efficiency 100.00%	Coordinate system CG	Total Flux 2084.00 lm

UGR
S = 0.250

Reflectancies										
Ceiling/Cavity	0.7	0.7	0.5	0.5	0.3	0.7	0.7	0.5	0.5	0.3
Walls	0.5	0.3	0.5	0.3	0.3	0.5	0.3	0.5	0.3	0.3
WorkingPlane	0.2	0.2	0.2	0.2	0.2	0.2	0.2	0.2	0.2	0.2
RoomDimensions	ViewedCrosswise					ViewedEndwise				
x=2H y=2H	19.3	20.0	19.5	20.2	20.3	19.2	19.9	19.4	20.1	20.3
x=2H y=3H	19.2	19.8	19.5	20.1	20.2	19.1	19.7	19.4	20.0	20.2
x=2H y=4H	19.1	19.7	19.4	20.0	20.2	19.0	19.6	19.4	19.9	20.2
x=2H y=6H	19.1	19.6	19.4	19.9	20.1	19.0	19.5	19.3	19.8	20.1
x=2H y=8H	19.0	19.6	19.4	19.9	20.1	18.9	19.5	19.3	19.8	20.1
x=2H y=12H	19.0	19.5	19.3	19.8	20.0	18.9	19.4	19.2	19.7	20.0
x=4H y=2H	19.1	19.7	19.4	20.0	20.1	19.0	19.6	19.3	19.9	20.1
x=4H y=3H	19.0	19.5	19.4	19.8	20.1	18.9	19.4	19.3	19.7	20.1
x=4H y=4H	19.0	19.4	19.4	19.8	20.0	18.9	19.3	19.3	19.7	20.0
x=4H y=6H	18.9	19.3	19.3	19.6	19.9	18.8	19.2	19.2	19.5	19.9
x=4H y=8H	18.9	19.2	19.3	19.6	19.9	18.8	19.1	19.2	19.5	19.9
x=4H y=12H	18.8	19.1	19.3	19.5	19.8	18.8	19.0	19.2	19.4	19.8
x=8H y=4H	18.9	19.2	19.3	19.6	19.9	18.8	19.1	19.2	19.5	19.9
x=8H y=6H	18.8	19.1	19.3	19.5	19.8	18.7	19.0	19.2	19.4	19.8
x=8H y=8H	18.8	19.0	19.2	19.4	19.8	18.7	18.9	19.1	19.3	19.8
x=8H y=12H	18.7	18.9	19.2	19.3	19.7	18.6	18.8	19.1	19.2	19.7
x=12H y=4H	18.8	19.1	19.3	19.5	19.8	18.8	19.0	19.2	19.4	19.8
x=12H y=6H	18.8	19.0	19.2	19.4	19.8	18.7	18.9	19.1	19.3	19.8
x=12H y=8H	18.7	18.9	19.2	19.3	19.7	18.6	18.8	19.1	19.2	19.7

Luminaire

Code 90-2996
 Name Downlight EXIT 25.9W 840 38°
 Line Eulumdat

Measur.

Code 90-3296-14-37
 Name Downlight EXIT 25.9W 840 38°
 Date 29-04-2014

Lamp

Code L2996 25.9W 80 4000K
 Number 1
 Position

Efficiency 100.00% Coordinate system CG Total Flux 2084.00 lm

Total Flux=2084.00 Luminaire Flux=2083.99

RI	0.60	0.80	1.00	1.25	1.50	2.00	2.50	3.00	4.00	5.00	10.00	20.00
DRR	0.69	0.74	0.79	0.83	0.86	0.91	0.94	0.96	0.98	0.99	1.01	1.02
RC	-	-	-	-	-	-	-	-	-	-	-	-

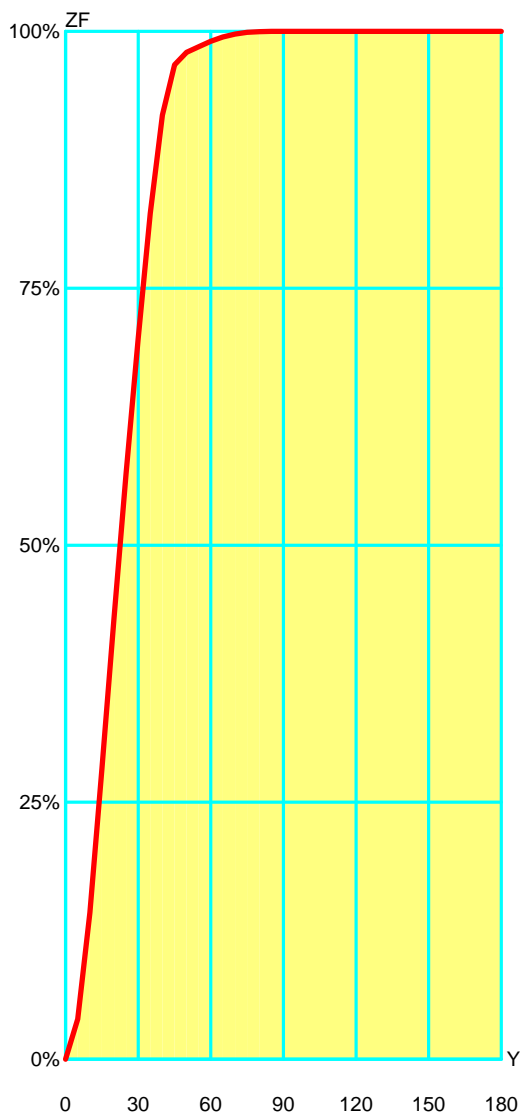
Zonal Flux per 1000 Lumen

Y°	10	20	30	40	50	60	70	80	90	100	110	120	130	140	150	160	170	180
ZF(Y)	143	430	702	919	980	990	997	1000	1000	1000	1000	1000	1000	1000	1000	1000	1000	1000

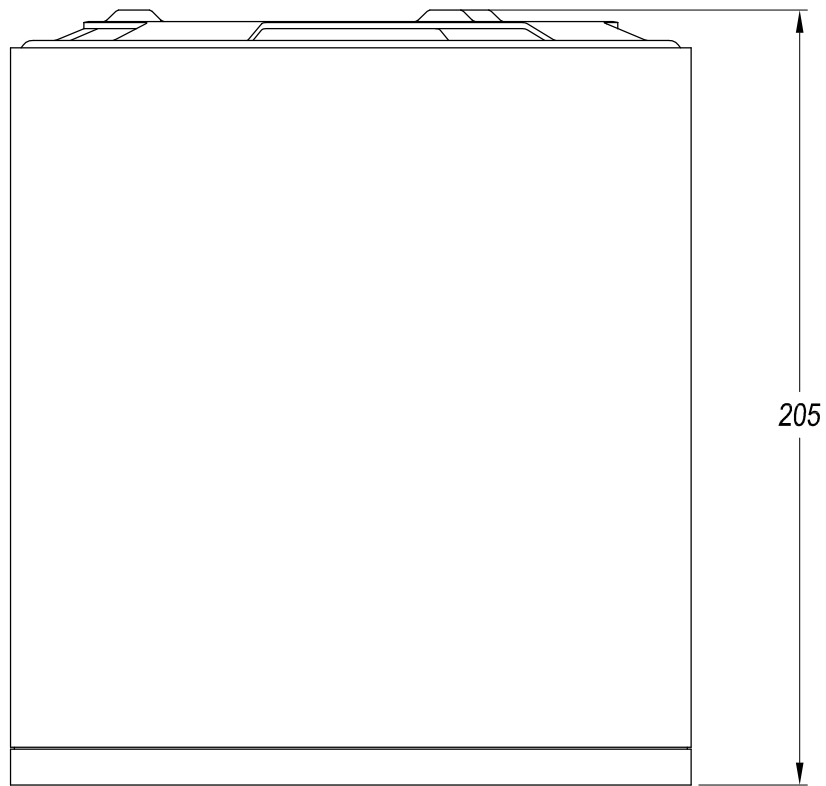
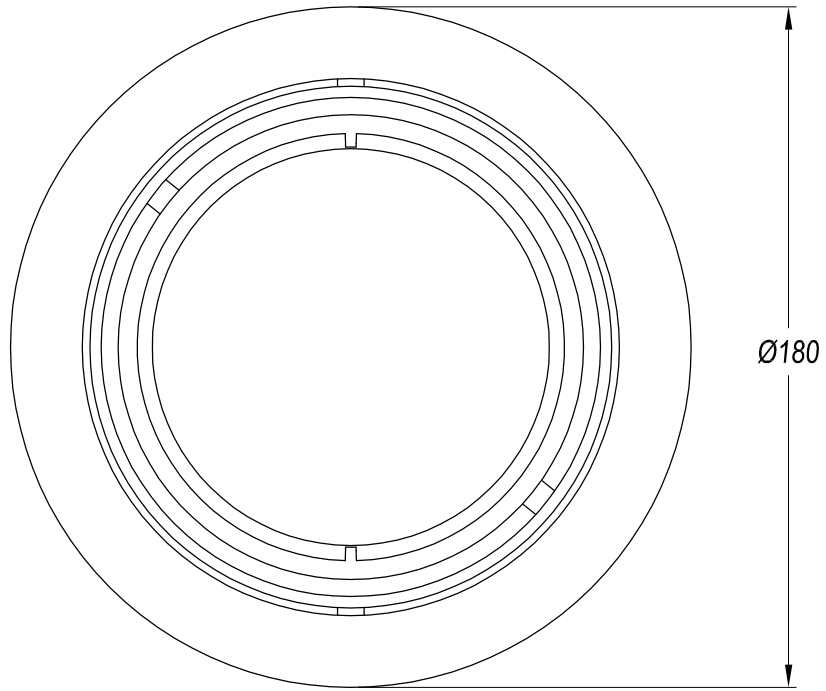
CIE Flux Codes

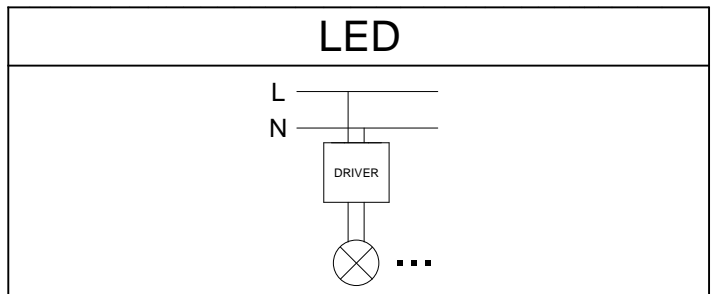
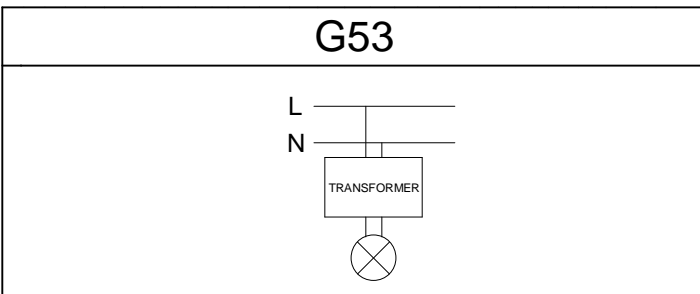
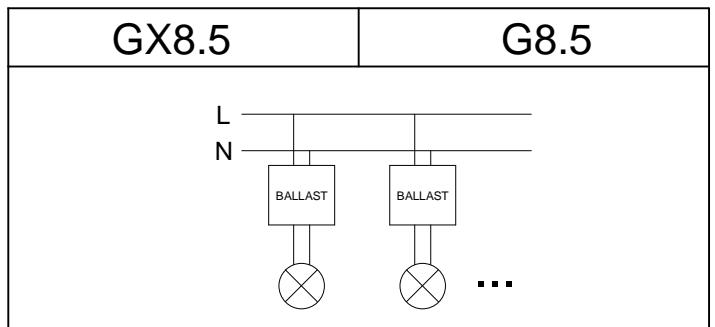
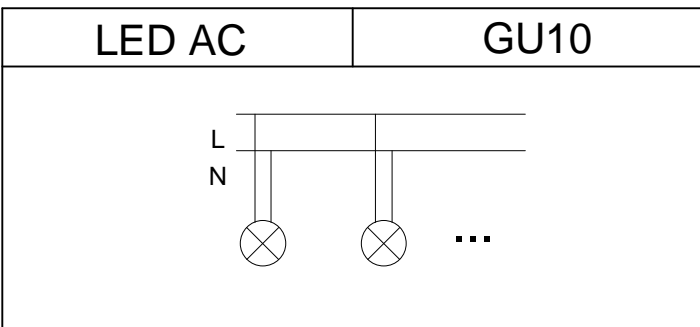
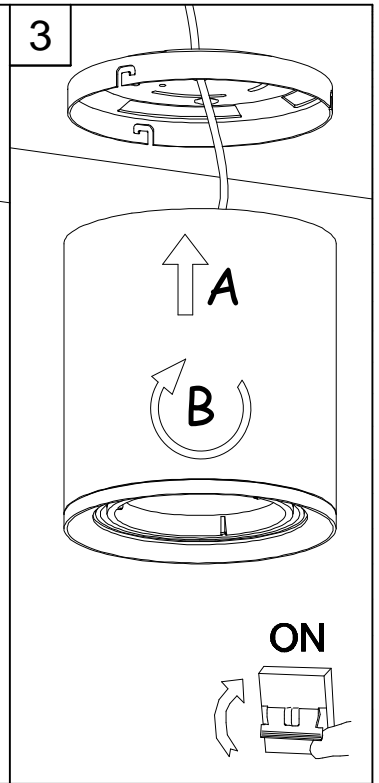
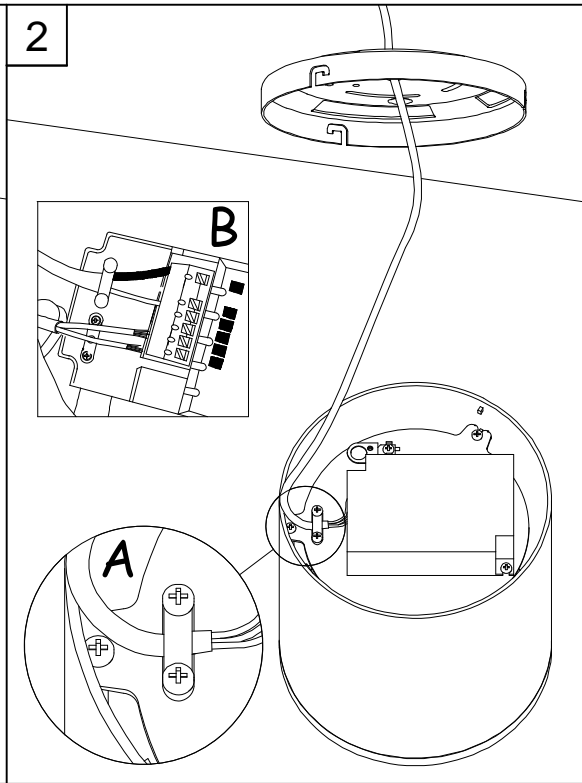
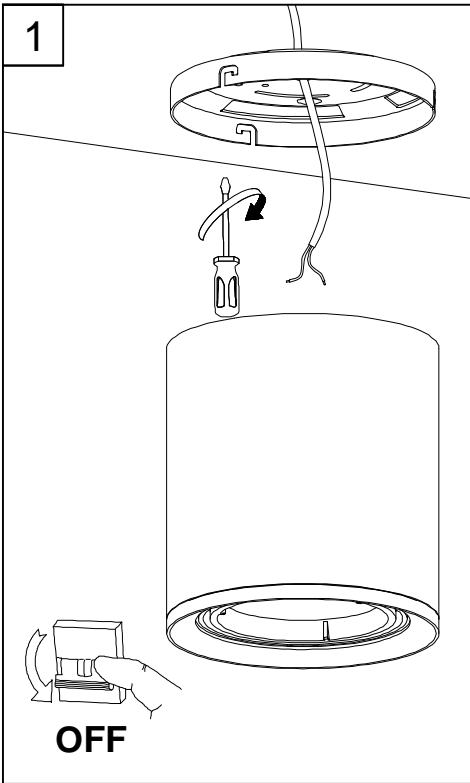
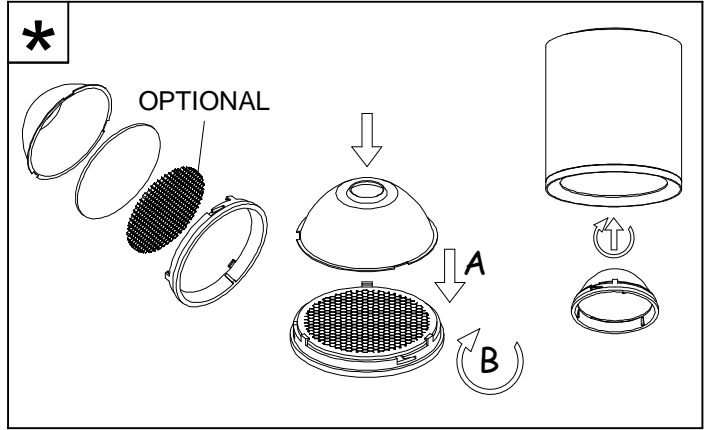
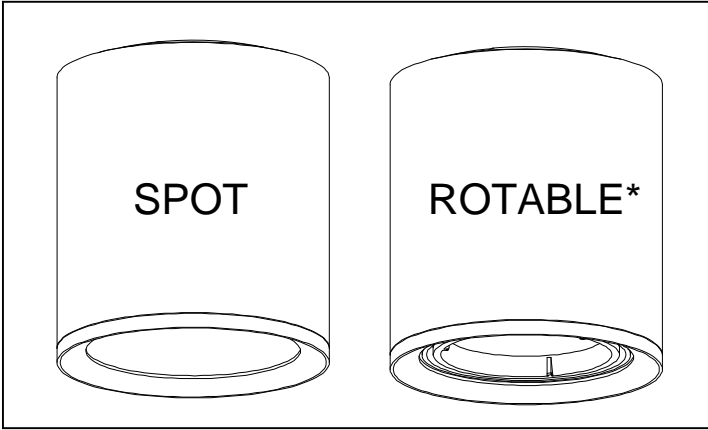
94 99 100 100 100

C.I.E.	-/-/-/-/-/-/-/-/-/-	LOR	99.99957 %
D DIN 5040	A60	ULOR	0.00000 %
F UTE	1.00 A	DLOR	99.99957 %
B NBN	BZ 1	UFF	0.00000 %
RN	0.00000 %	DFF	100.00000 %
BLF	1.0	FFR	0.00000 %

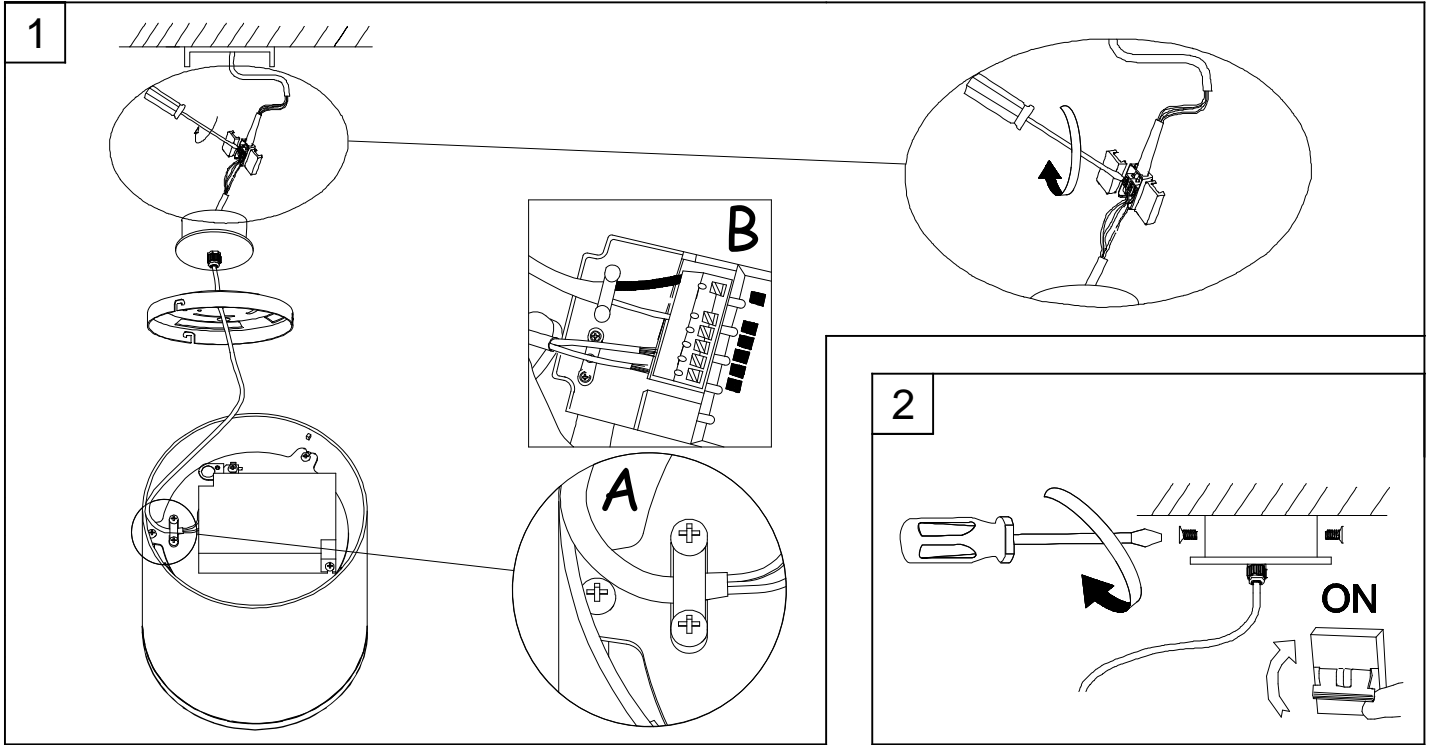


Zonal Flux				
Gamma °	Flux	Sum lm	Flux [%]	Sum [%]
0°	0.00	0.00	0.00%	0.00%
5°	39.06	39.06	3.91%	3.91%
10°	103.61	142.67	10.36%	14.27%
15°	139.60	282.27	13.96%	28.23%
20°	147.54	429.81	14.75%	42.98%
25°	139.91	569.72	13.99%	56.97%
30°	131.97	701.69	13.20%	70.17%
35°	121.10	822.78	12.11%	82.28%
40°	95.81	918.59	9.58%	91.86%
45°	48.84	967.43	4.88%	96.74%
50°	12.17	979.60	1.22%	97.96%
55°	5.43	985.03	0.54%	98.50%
60°	5.19	990.22	0.52%	99.02%
65°	4.35	994.57	0.44%	99.46%
70°	2.78	997.36	0.28%	99.74%
75°	1.58	998.94	0.16%	99.89%
80°	0.73	999.67	0.07%	99.97%
85°	0.23	999.90	0.02%	99.99%
90°	0.09	1000.00	0.01%	100.00%
95°	0.00	1000.00	0.00%	100.00%
100°	0.00	1000.00	0.00%	100.00%
105°	0.00	1000.00	0.00%	100.00%
110°	0.00	1000.00	0.00%	100.00%
115°	0.00	1000.00	0.00%	100.00%
120°	0.00	1000.00	0.00%	100.00%
125°	0.00	1000.00	0.00%	100.00%
130°	0.00	1000.00	0.00%	100.00%
135°	0.00	1000.00	0.00%	100.00%
140°	0.00	1000.00	0.00%	100.00%
145°	0.00	1000.00	0.00%	100.00%
150°	0.00	1000.00	0.00%	100.00%
155°	0.00	1000.00	0.00%	100.00%
160°	0.00	1000.00	0.00%	100.00%
165°	0.00	1000.00	0.00%	100.00%
170°	0.00	1000.00	0.00%	100.00%
175°	0.00	1000.00	0.00%	100.00%
180°	0.00	1000.00	0.00%	100.00%





↓ SUSPENDED KIT



↓ TRACK CONNECTOR KIT

