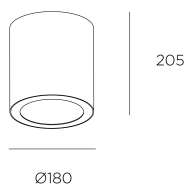


EXIT

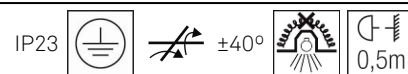
Josep Patsi

90-2994-60-DU

Ceiling fixture EXIT 25.9W 4000K CRI 80 DALI Black IP23 2078lm



TECHNICAL FEATURES



Power (W) : 25.9W

Total power consumption of light (W) : 26.9W

Raw lumens : 2078

Raw lm/W : 77

Colour temperature : LED neutral-white 4000K

Structure material : Aluminium

Structure finish : Black

Diffuser material : Glass

Diffuser finish : Transparent

Useful life : 50.000h L80B20

Smart Compatible

- 71-5961-00-00: Casambi

Equipment included : Yes, electronic

Brand : HEP

Voltage / frequency : 100-240VAC/50-60Hz

Warranty : 2 Years

Max. temperature : 25°C

LUMINOTECHNIC FEATURES

Light source: LED CREE

CRI: 80

MacAdam steps: 2

Photobiological risk: RG1

LOGISTICS

Net weight (kg): 2.53

Packaged weight (kg): 2.82

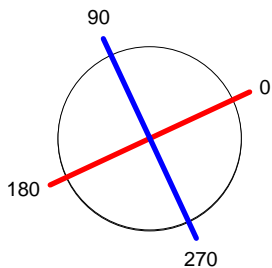


10 Un

Luminaire		Measur.		Lamp	
Code	90-2994	Code	90-3294-14-37	Code	L2994 25.9W 80 4000K
Name	Downlight EXIT 25.9W 840 12°	Name	Downlight EXIT 25.9W 840 12°	Number	1
Line	Eulumdat	Date	29-04-2014	Position	
Efficiency	100.00%	Coordinate system	CG	Total Flux	2078.14 lm
Maximum value	11458.03 cd	Position	C=0.00 G=0.00	Double Symmetrical	
Round Luminaire	Diam.	175 mm	Height	2 mm	
Round Luminous Area	Diam.	110 mm	Height	0 mm	
Horizontal Luminous Area	0.009503 m2	Emitting area on Plane 180°	0.000000 m2	Emitting area on Plane 270°	0.000000 m2
Emitting area on Plane 0°	0.000000 m2	Glare area at 76°	0.002299 m2		
Emitting area on Plane 90°	0.000000 m2				
Symmetry Type	Double Symmetrical	Maximum Gamma Angle	90		
Measurement Distance	0.00	Measurement Flux	2078.14 lm		
Operator	Asselum T2	Source voltage			
Temperature	25.00 °C	Source current			
Humidity	60.00 %	Photocell			
Notes					

Luminaire Lamps						
Line	Code	Name	Flux [lm]	Pow. [W]	Q.ty	
Eulumdat	L2994 25.9W 80 4000K	L2994 25.9W 80 4000K - 26.00 W	2078.14	26.00	1	
C.I.E.	95 100 100 100 100	D DIN 5040				
F UTE	1.00 A	B NBN				
		A60				
		BZ 1				

Diam=175mm



C Halfplanes

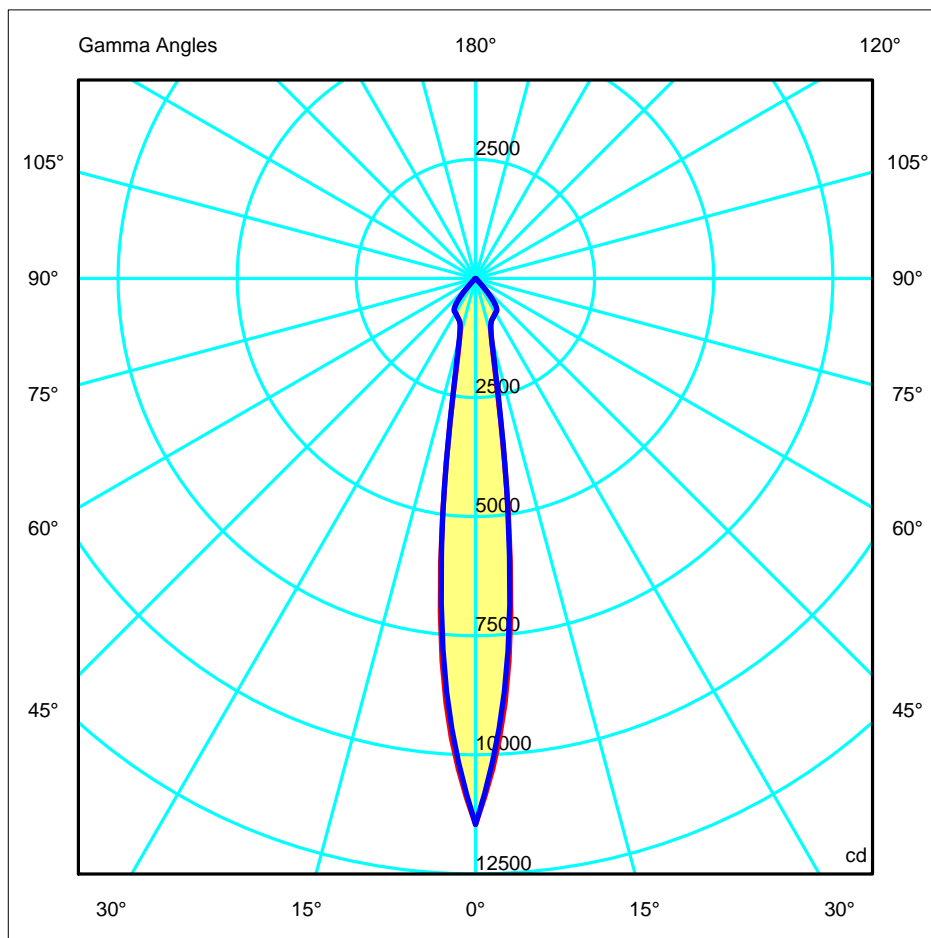
180.0 — 0.0 (Red line)

270.0 — 90.0 (Blue line)

ULOR 0.00 %

DLOR 100.00 %

RN 0.00 %

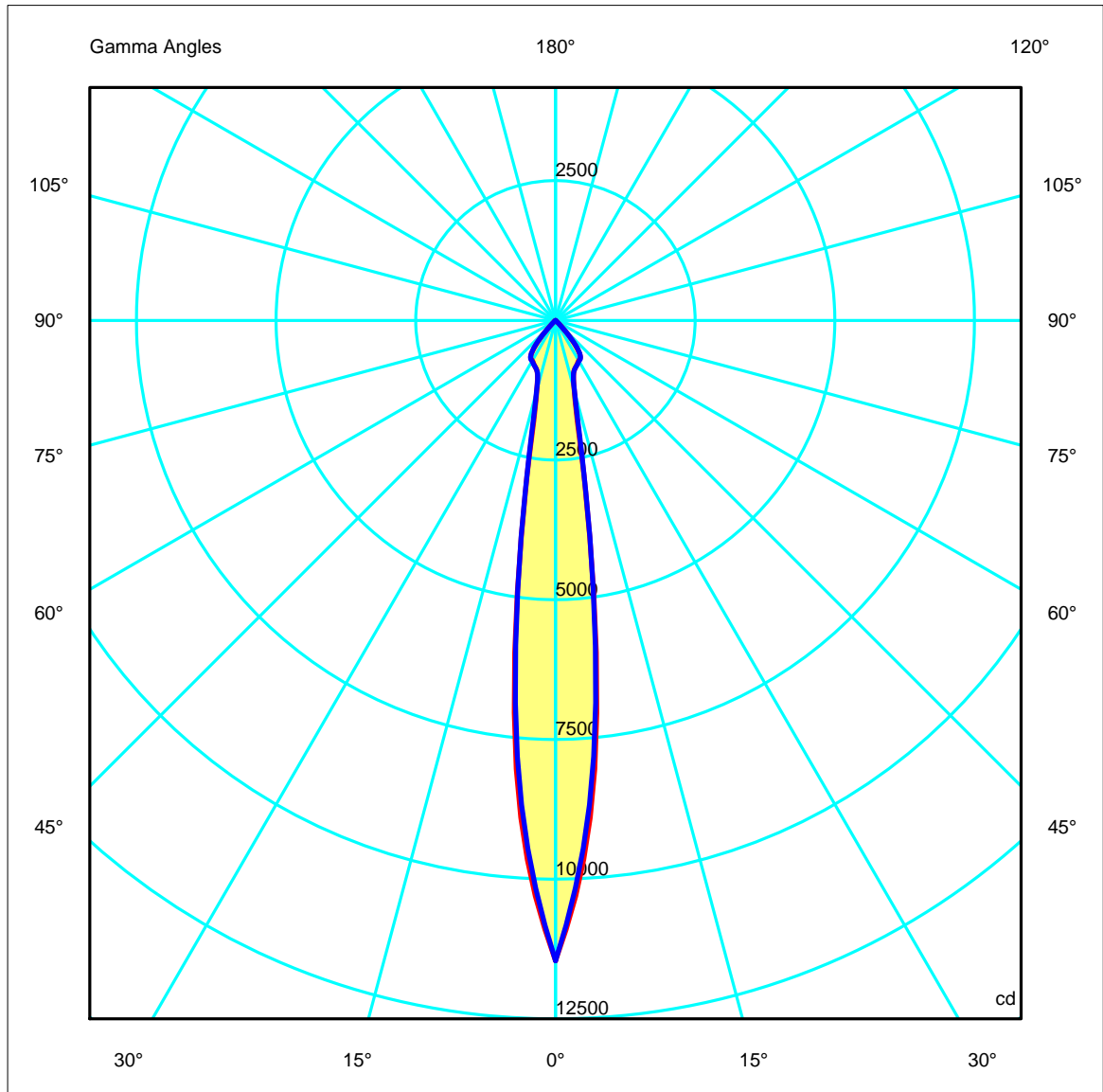
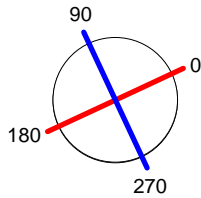


Luminaire		Measur.		Lamp	
Code	90-2994	Code	90-3294-14-37	Code	L2994 25.9W 80 4000K
Name	Downlight EXIT 25.9W 840 12°	Name	Downlight EXIT 25.9W 840 12°	Number	1
Line	Eulumdat	Date	29-04-2014	Position	
Efficiency	100.00%	Coordinate system	CG	Total Flux	2078.14 lm

Diam=175mm

C Halfplanes

180.0 ———— 0.0
 270.0 ———— 90.0



Luminaire

Code 90-2994
 Name Downlight EXIT 25.9W 840 12°
 Line Eulumdat

Measur.

Code 90-3294-14-37
 Name Downlight EXIT 25.9W 840 12°
 Date 29-04-2014

Lamp

Code L2994 25.9W 80 4000K
 Number 1
 Position

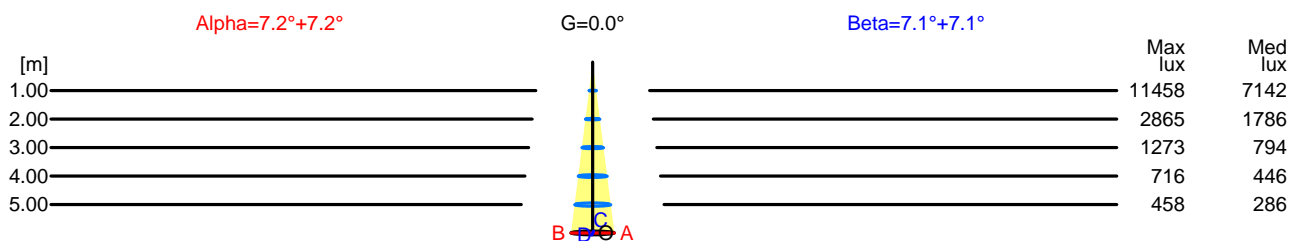
Efficiency 100.00% Coordinate system CG Total Flux 2078.14 lm

Width at 50.00 % of Max Intensity

H[m]	1.00	2.00	3.00	4.00	5.00	H[m]	1.00	2.00	3.00	4.00	5.00
OA	0.13	0.25	0.38	0.51	0.64	OC	0.13	0.25	0.38	0.50	0.63
OB	0.13	0.25	0.38	0.51	0.64	OD	0.13	0.25	0.38	0.50	0.63

Luminous Intensities [cd]

	0	5	15	25	35	45	55	65	75	85
OA	11458.03	8057.61	1286.57	891.59	771.05	82.74	5.76	2.83	1.60	0.31
OB	11458.03	8057.61	1286.57	891.59	771.05	82.74	5.76	2.83	1.60	0.31
OC	11458.03	7832.17	1306.14	894.08	777.89	92.22	6.32	2.58	1.32	0.37
OD	11458.03	7832.17	1306.14	894.08	777.89	92.22	6.32	2.58	1.32	0.37



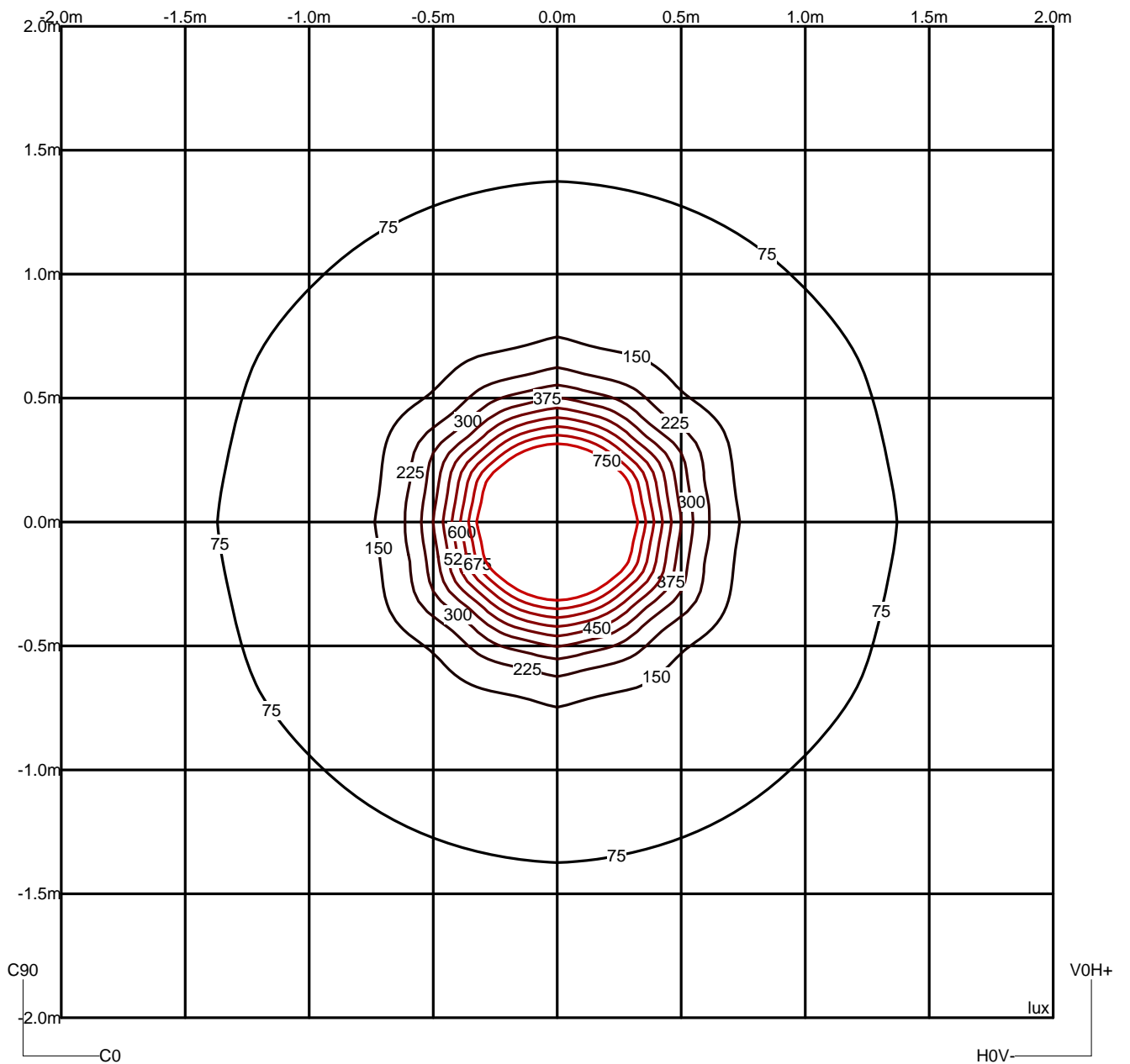
H[m]	D[m]	Max lux	Med lux	Alpha=7.2°+7.2°	G=0.0	
1.00	0.25	11458	7142			
2.00	0.51	2865	1786			
3.00	0.76	1273	794			
4.00	1.02	716	446			
5.00	1.27	458	286			

H[m]	D[m]	Max lux	Med lux	Beta=7.1°+7.1°	G=0.0	
1.00	0.25	11458	7142			
2.00	0.50	2865	1786			
3.00	0.75	1273	794			
4.00	1.00	716	446			
5.00	1.25	458	286			

Luminaire		Measur.		Lamp	
Code	90-2994	Code	90-3294-14-37	Code	L2994 25.9W 80 4000K
Name	Downlight EXIT 25.9W 840 12°	Name	Downlight EXIT 25.9W 840 12°	Number	1
Line	Eulumdat	Date	29-04-2014	Position	
Efficiency	100.00%	Coordinate system	CG	Total Flux	2078.14 lm

Isolux (Floor)

Luminaire position X=0.00m Y=0.00m Z=3.00m



Luminaire

Code 90-2994
 Name Downlight EXIT 25.9W 840 12°
 Line Eulumdat

Measur.

Code 90-3294-14-37
 Name Downlight EXIT 25.9W 840 12°
 Date 29-04-2014

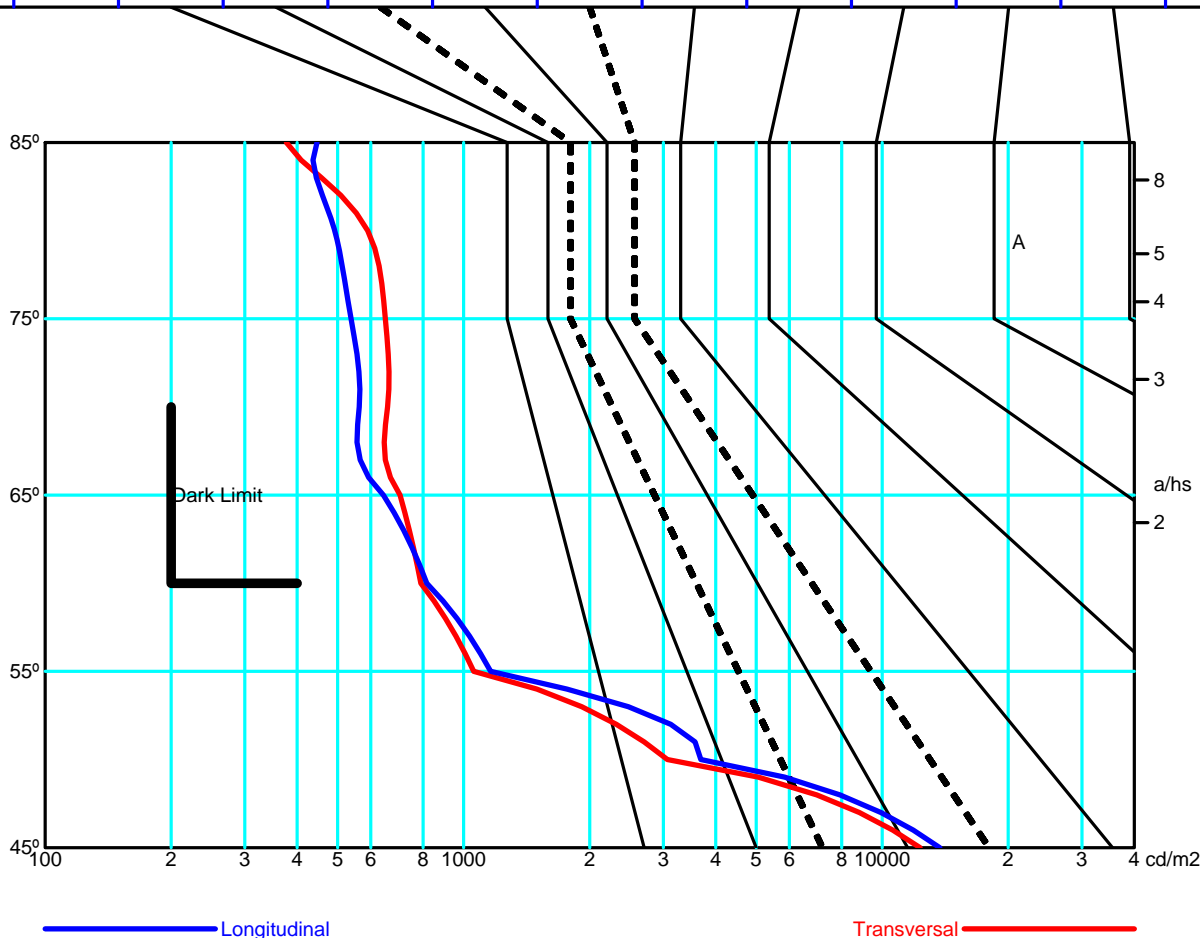
Lamp

Code L2994 25.9W 80 4000K
 Number 1
 Position

Efficiency 100.00% Coordinate system CG Total Flux 2078.14 lm

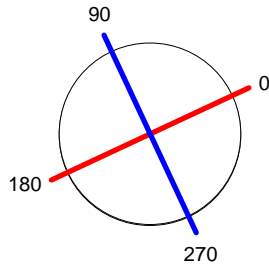
		Average Luminance [cd/m ²]										
		0.0°	45°	50°	55°	60°	65°	70°	75°	80°	85°	
0.0°	12314	3068	1057	790	705	658	650	590	377	---		
90.0°	13724	3688	1160	817	643	563	538	492	446	---		

Flush mounted or longitudinal view												
		Illumination(lx)										
A	A	2000	1000	750	500		<300				1.15	
B	1		2000	1500	1000	750	500	<300			1.5	
C					2000		1000	500	<300		1.85	
D	2						2000	1000	500	<300	2.2	
E	3							2000	1000	500	<300	2.55

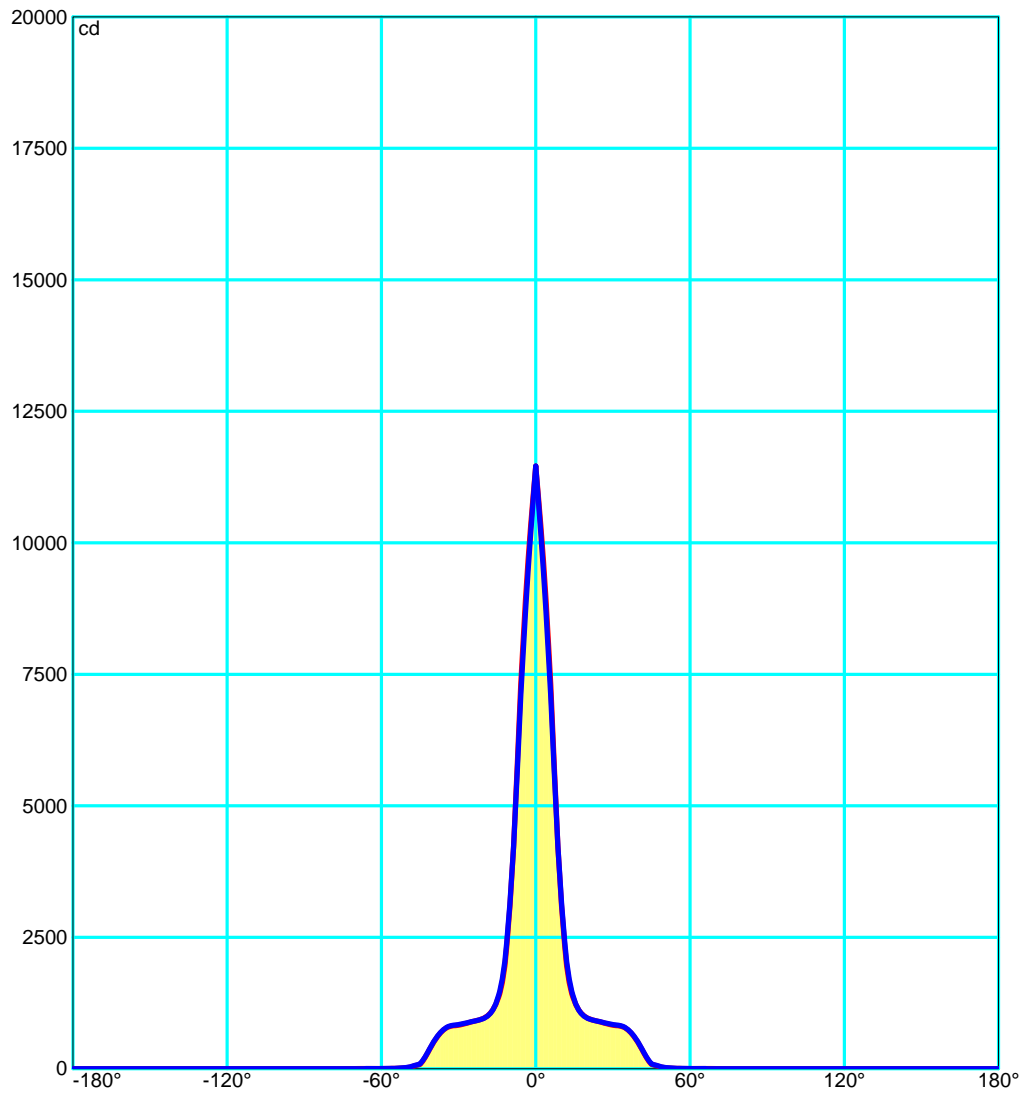


Luminaire		Measur.		Lamp	
Code	90-2994	Code	90-3294-14-37	Code	L2994 25.9W 80 4000K
Name	Downlight EXIT 25.9W 840 12°	Name	Downlight EXIT 25.9W 840 12°	Number	1
Line	Eulumdat	Date	29-04-2014	Position	
Efficiency	100.00%	Coordinate system	CG	Total Flux	2078.14 lm

Diam=175mm



C Halfplanes



Luminaire		Measur.		Lamp	
Code	90-2994	Code	90-3294-14-37	Code	L2994 25.9W 80 4000K
Name	Downlight EXIT 25.9W 840 12°	Name	Downlight EXIT 25.9W 840 12°	Number	1
Line	Eulumdat	Date	29-04-2014	Position	
Efficiency	100.00%	Coordinate system	CG	Total Flux	2078.14 lm

UGR
S = 0.250

Reflectancies										
Ceiling/Cavity	0.7	0.7	0.5	0.5	0.3	0.7	0.7	0.5	0.5	0.3
Walls	0.5	0.3	0.5	0.3	0.3	0.5	0.3	0.5	0.3	0.3
WorkingPlane	0.2	0.2	0.2	0.2	0.2	0.2	0.2	0.2	0.2	0.2
RoomDimensions	ViewedCrosswise					ViewedEndwise				
x=2H y=2H	19.2	19.9	19.4	20.1	20.3	19.3	19.9	19.5	20.1	20.3
x=2H y=3H	19.1	19.7	19.4	19.9	20.2	19.1	19.7	19.4	20.0	20.2
x=2H y=4H	19.0	19.6	19.3	19.8	20.1	19.1	19.6	19.4	19.9	20.1
x=2H y=6H	18.9	19.5	19.3	19.8	20.1	19.0	19.5	19.3	19.8	20.1
x=2H y=8H	18.9	19.4	19.2	19.7	20.1	19.0	19.5	19.3	19.8	20.1
x=2H y=12H	18.9	19.3	19.2	19.6	20.0	18.9	19.4	19.2	19.7	20.0
x=4H y=2H	19.0	19.6	19.3	19.8	20.1	19.1	19.6	19.3	19.9	20.1
x=4H y=3H	18.9	19.3	19.2	19.6	20.0	18.9	19.4	19.2	19.7	20.0
x=4H y=4H	18.8	19.2	19.2	19.5	19.9	18.8	19.3	19.2	19.6	19.9
x=4H y=6H	18.7	19.1	19.1	19.4	19.8	18.8	19.1	19.2	19.5	19.8
x=4H y=8H	18.7	19.0	19.1	19.4	19.8	18.7	19.0	19.1	19.4	19.8
x=4H y=12H	18.6	18.9	19.1	19.3	19.8	18.7	18.9	19.1	19.4	19.8
x=8H y=4H	18.7	19.0	19.1	19.4	19.8	18.7	19.0	19.1	19.4	19.8
x=8H y=6H	18.6	18.8	19.0	19.2	19.7	18.6	18.9	19.1	19.3	19.7
x=8H y=8H	18.5	18.7	19.0	19.2	19.7	18.6	18.8	19.1	19.2	19.7
x=8H y=12H	18.5	18.7	19.0	19.1	19.7	18.5	18.7	19.0	19.2	19.7
x=12H y=4H	18.6	18.9	19.1	19.3	19.8	18.7	18.9	19.1	19.3	19.8
x=12H y=6H	18.5	18.7	19.0	19.2	19.7	18.6	18.8	19.1	19.2	19.7
x=12H y=8H	18.5	18.7	19.0	19.1	19.7	18.5	18.7	19.0	19.2	19.7

Luminaire

Code 90-2994
 Name Downlight EXIT 25.9W 840 12°
 Line Eulumdat

Measuram.

Code 90-3294-14-37
 Name Downlight EXIT 25.9W 840 12°
 Date 29-04-2014

Lamp

Code L2994 25.9W 80 4000K
 Number 1
 Position

Efficiency 100.00% Coordinate system CG Total Flux 2078.14 lm

Total Flux=2078.14 Luminaire Flux=2078.14

RI	0.60	0.80	1.00	1.25	1.50	2.00	2.50	3.00	4.00	5.00	10.00	20.00
DRR	0.70	0.75	0.80	0.84	0.87	0.91	0.94	0.96	0.98	0.99	1.01	1.02
RC	-	-	-	-	-	-	-	-	-	-	-	-

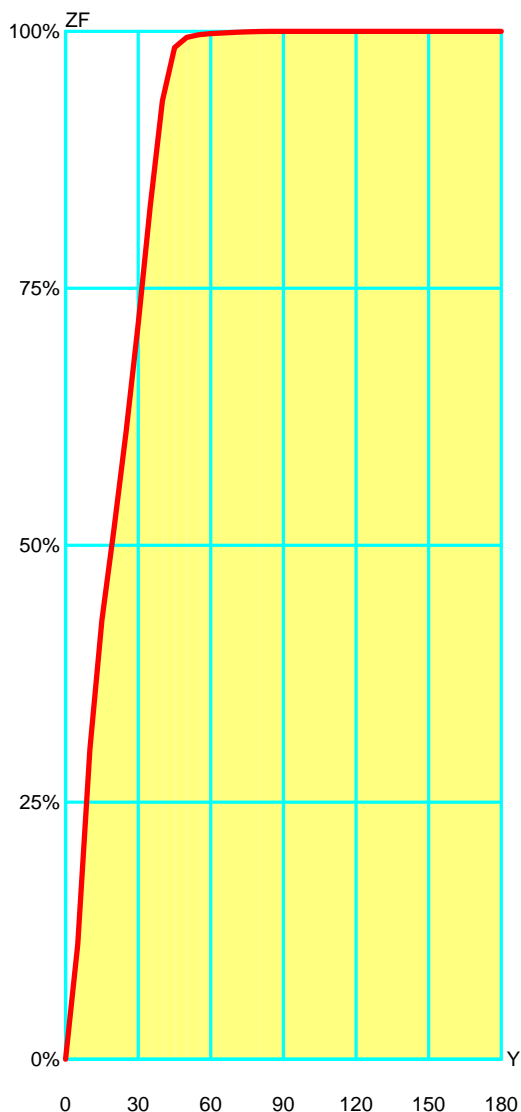
Zonal Flux per 1000 Lumen

Y°	10	20	30	40	50	60	70	80	90	100	110	120	130	140	150	160	170	180
ZF(Y)	301	516	716	932	994	998	999	1000	1000	1000	1000	1000	1000	1000	1000	1000	1000	1000

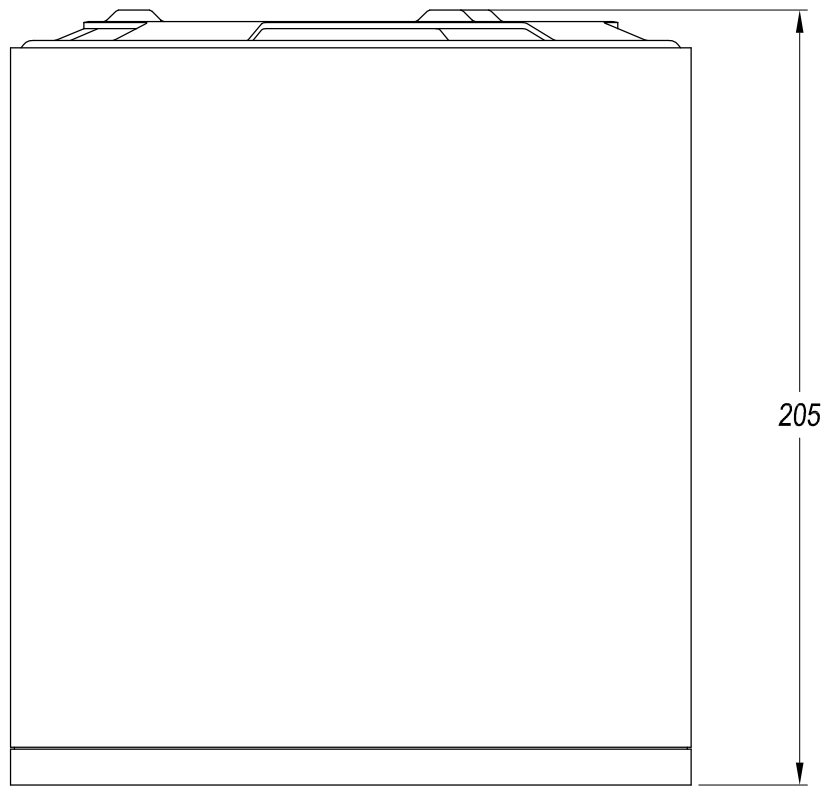
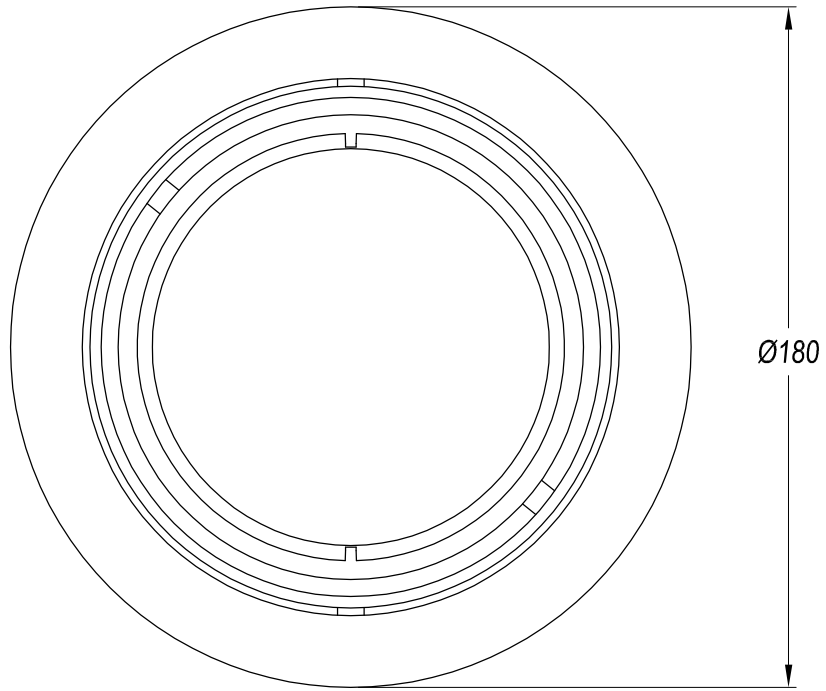
CIE Flux Codes

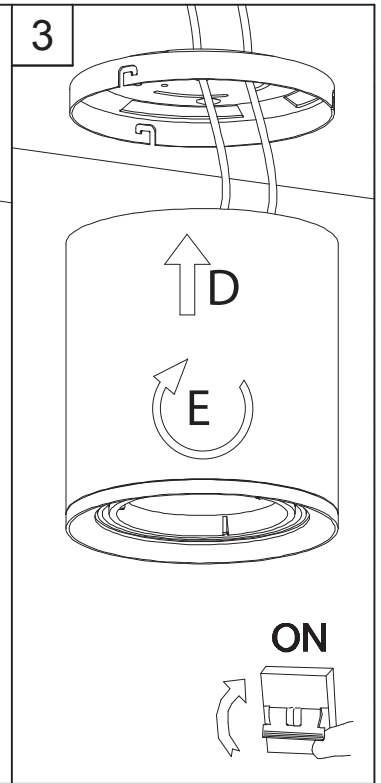
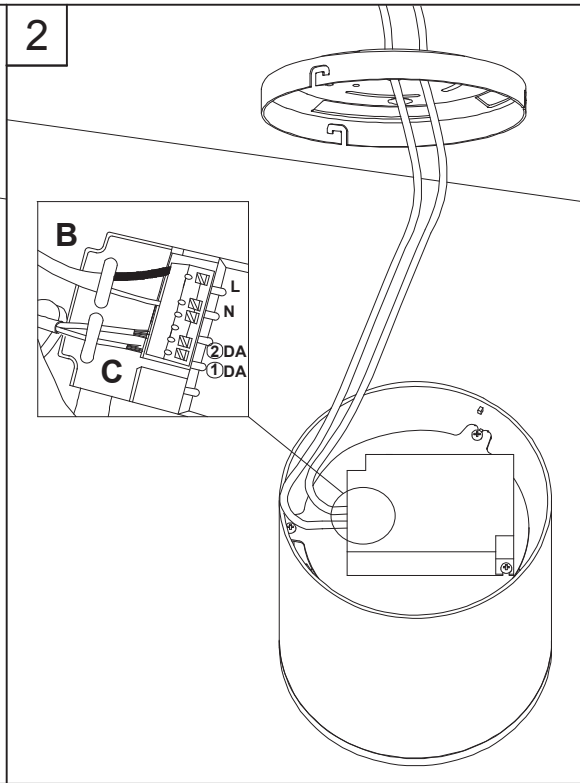
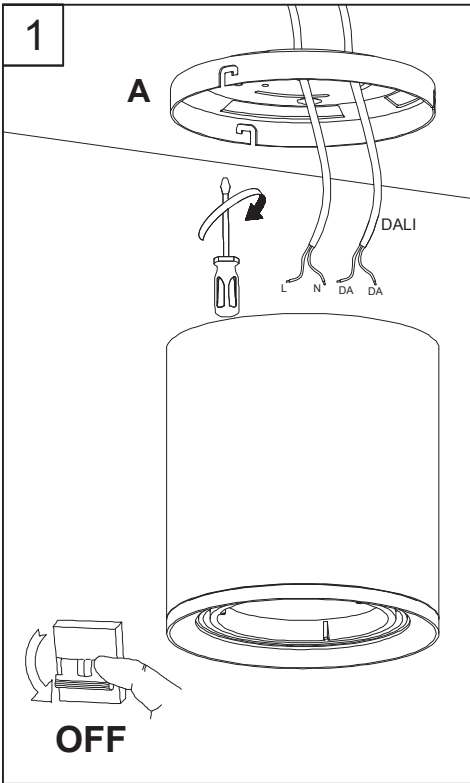
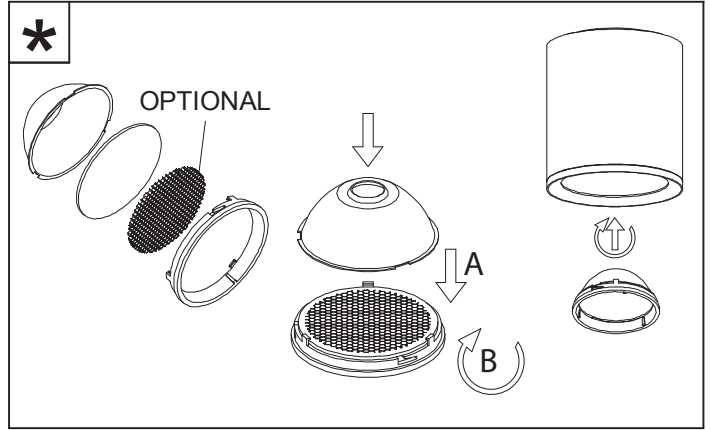
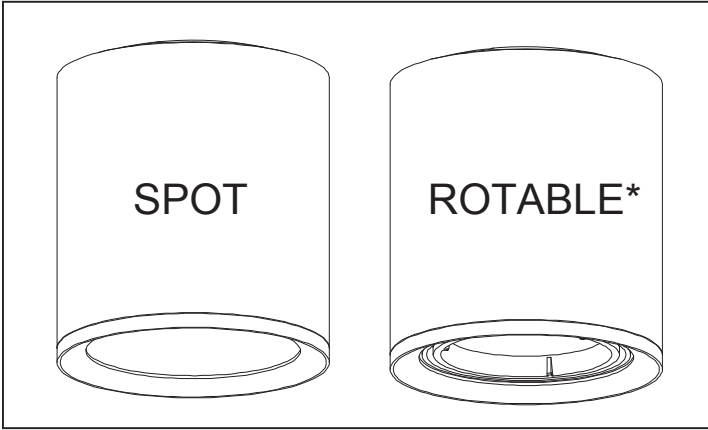
95 100 100 100 100

C.I.E.	-/-/-/-/-/-/-/-/-/-	LOR	99.99995 %
D DIN 5040	A60	ULOR	0.00000 %
F UTE	1.00 A	DLOR	99.99995 %
B NBN	BZ 1	UFF	0.00000 %
RN	0.00000 %	DFF	100.00000 %
BLF	1.0	FFR	0.00000 %



Zonal Flux				
Gamma °	Flux	Sum lm	Flux [%]	Sum [%]
0°	0.00	0.00	0.00%	0.00 %
5°	111.48	111.48	11.15 %	11.15 %
10°	189.97	301.45	19.00 %	30.14 %
15°	125.60	427.05	12.56 %	42.70 %
20°	89.39	516.44	8.94 %	51.64 %
25°	93.86	610.30	9.39 %	61.03 %
30°	105.28	715.58	10.53 %	71.56 %
35°	114.33	829.91	11.43 %	82.99 %
40°	102.46	932.37	10.25 %	93.24 %
45°	51.82	984.19	5.18 %	98.42 %
50°	9.79	993.98	0.98 %	99.40 %
55°	2.64	996.62	0.26 %	99.66 %
60°	1.08	997.70	0.11 %	99.77 %
65°	0.77	998.47	0.08 %	99.85 %
70°	0.57	999.04	0.06 %	99.90 %
75°	0.43	999.47	0.04 %	99.95 %
80°	0.30	999.77	0.03 %	99.98 %
85°	0.15	999.92	0.02 %	99.99 %
90°	0.08	1000.00	0.01 %	100.00 %
95°	0.00	1000.00	0.00 %	100.00 %
100°	0.00	1000.00	0.00 %	100.00 %
105°	0.00	1000.00	0.00 %	100.00 %
110°	0.00	1000.00	0.00 %	100.00 %
115°	0.00	1000.00	0.00 %	100.00 %
120°	0.00	1000.00	0.00 %	100.00 %
125°	0.00	1000.00	0.00 %	100.00 %
130°	0.00	1000.00	0.00 %	100.00 %
135°	0.00	1000.00	0.00 %	100.00 %
140°	0.00	1000.00	0.00 %	100.00 %
145°	0.00	1000.00	0.00 %	100.00 %
150°	0.00	1000.00	0.00 %	100.00 %
155°	0.00	1000.00	0.00 %	100.00 %
160°	0.00	1000.00	0.00 %	100.00 %
165°	0.00	1000.00	0.00 %	100.00 %
170°	0.00	1000.00	0.00 %	100.00 %
175°	0.00	1000.00	0.00 %	100.00 %
180°	0.00	1000.00	0.00 %	100.00 %





LED - DALI

