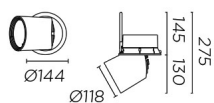


## BOND

## 90-2611-14-37

Spotlight BOND 33.7W 4000K CRI 80 White 2509lm

### TECHNICAL FEATURES



Power (W) : 33.7W

Raw lumens : 2509

Raw lm/W : 76

Colour temperature : LED neutral-white 4000K

Structure material : Aluminium

Structure finish : White

Diffuser material : Glass

Diffuser finish : Transparent

Useful life : 50.000h L80B20

Equipment necessary but not included :

Warranty : 2 Years

Energy efficiency : LED A++

### LUMINOTECHNIC FEATURES

Light source: LED CREE

CRI: 80

MacAdam steps: 2

Photobiological risk: RG1

### LOGISTICS

Net weight (kg): 1.17

Packaged weight (kg): 1.39

Packaging: 190mm x 190mm x 160mm



**71-2337-14-00**

Accessory needed for BOND luminaire installation.

Structure material: Aluminium  
Dimensions: NA x NA x NA  
Net weight (kg): 0.2**71-2338-14-00**

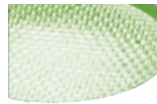
Accessory needed for BOND luminaire installation.

Structure material: Aluminium  
Net weight (kg): 0.26**71-2339-14-00**

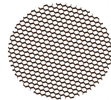
Accessory needed for BOND luminaire installation.

Structure material: Aluminium  
Net weight (kg): 0.37**71-2340-14-00**

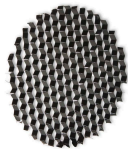
Accessory needed for BOND luminaire installation.

Structure material: Aluminium  
Net weight (kg): 0.54**ACT-9127-08-00**

Colour filter for HIT-T lamp, Green

Structure material:  
Net weight (kg): 0.06**ACT-9135-60-00**

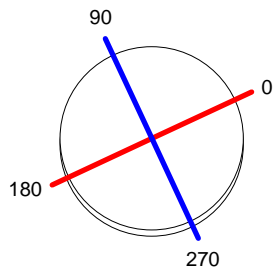
Honeycomb, Black

Structure material:  
Net weight (kg): 0.01**71-5634-14-00**Structure material: Aluminium  
Dimensions: 113 x NA x 24  
Net weight (kg): 0.11**71-5664-00-00**Structure material:  
Dimensions: 100 x NA x 3  
Net weight (kg): 0.02**71-5666-60-00**Structure material: Aluminium  
Dimensions: 100 x NA x 3  
Net weight (kg): 0.01

<b>Luminaire</b>		<b>Measur.</b>		<b>Lamp</b>	
Code	90-2611	Code	90-2556	Code	L2611 33.7W 80 4000K
Name	BOND LED 33.7W 840 24°	Name	BOND LED 21.8W 840 24°	Number	1
Line	- LEDS C4 LEDS	Date	28-04-2014	Position	Universal
Efficiency	100.00%	Coordinate system	CG	Total Flux	2508.98 lm
Maximum value	7179.00 cd	Position	C=0.00 G=0.00	Double Symmetrical	
Round Recessed Luminaire	Diam.	145 mm	Height	10 mm	
Round Luminous Area	Diam.	105 mm	Height	0 mm	
Horizontal Luminous Area	0.008659 m2	Emitting area on Plane 180°	0.000000 m2		
Emitting area on Plane 0°	0.000000 m2	Emitting area on Plane 270°	0.000000 m2		
Emitting area on Plane 90°	0.000000 m2	Glare area at 76°	0.002095 m2		
Symmetry Type	Double Symmetrical	Maximum Gamma Angle	90		
Measurement Distance	6.44	Measurement Flux	1758.44 lm		
Operator	Asselum T2	Source voltage	36.00 V		
Temperature	21.00 °C	Source current	0.60 A		
Humidity	50.00 %	Photocell	Prc		
Notes					

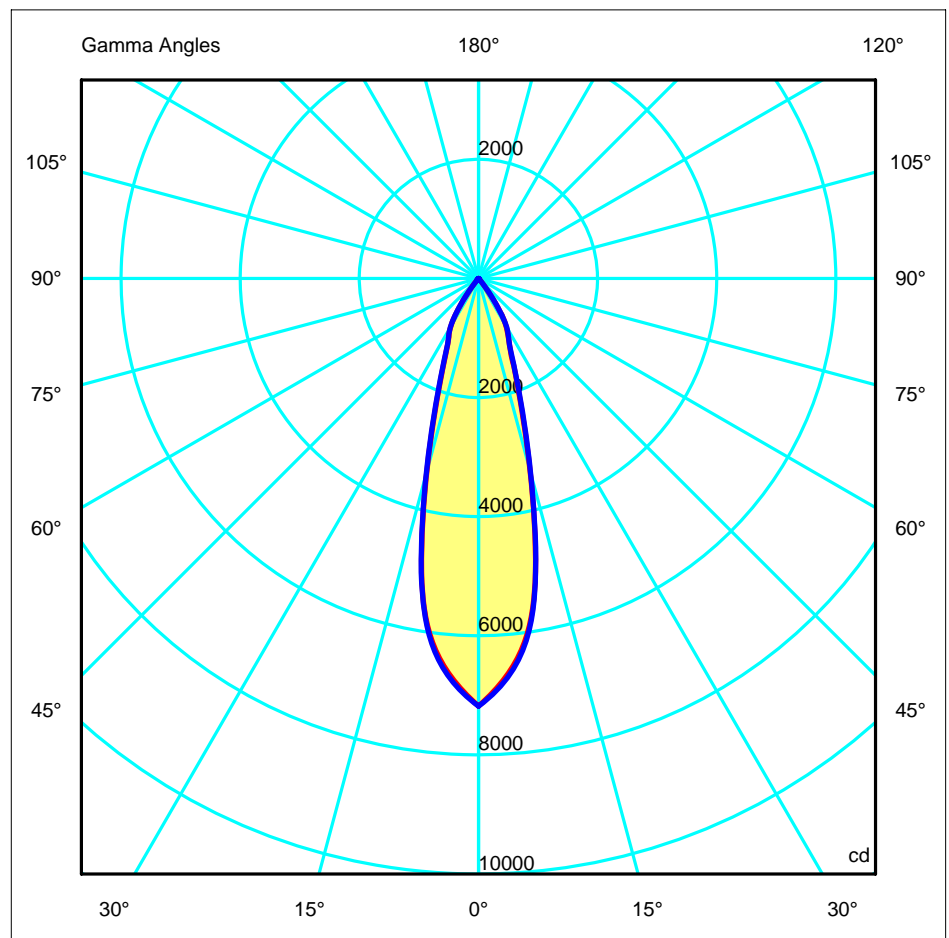
Luminaire Lamps						
Line	Code	Name	Flux [lm]	Pow. [W]	Q.ty	
- LEDS C4 LEDS	L2611 33.7W 80 4000K	Lámpara leds 33.7W 4000K	2508.98	34.00	1	
C.I.E.	99 100 100 100 100	D DIN 5040				
F UTE	--	B NBN				
		A60				
		BZ 1				

Diam=145mm Incasso



C Halfplanes  
 180.0 — 0.0  
 270.0 — 90.0

ULOR 0.00 %  
 DLOR 100.00 %  
 RN 0.00 %



<b>Luminaire</b>		<b>Measur.</b>		<b>Lamp</b>	
Code	90-2611	Code	90-2556	Code	L2611 33.7W 80 4000K
Name	BOND LED 33.7W 840 24°	Name	BOND LED 21.8W 840 24°	Number	1
Line	- LEDS C4 LEDS	Date	28-04-2014	Position	Universal

Efficiency	100.00%	Coordinate system	CG	Total Flux	2508.98 lm
Maximum value	7179.00 cd	Position	C=0.00 G=0.00	Double Symmetrical	

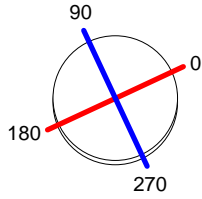
**Luminous Intensity Table cd      Table 1/1**

	C 0.00	C 15.00	C 30.00	C 45.00	C 60.00	C 75.00	C 90.00
G 0.0	7179.00	7179.00	7179.00	7179.00	7179.00	7179.00	7179.00
G 5.0	6547.70	6583.44	6585.89	6555.35	6585.28	6556.25	6598.84
G 10.0	5392.15	5407.17	5451.74	5402.30	5397.05	5370.90	5412.45
G 15.0	3337.80	3340.92	3500.74	3346.79	3362.60	3339.63	3371.63
G 20.0	1932.45	1923.23	1978.39	1922.92	1940.89	1914.98	1961.33
G 25.0	1223.17	1223.35	1248.69	1220.34	1240.45	1202.79	1236.73
G 30.0	941.11	971.67	972.72	971.90	959.38	976.82	945.06
G 35.0	457.54	451.24	504.29	439.54	461.47	436.86	457.95
G 40.0	73.52	60.95	83.11	68.25	70.44	65.77	74.65
G 45.0	30.73	30.78	31.59	30.80	31.10	30.88	31.29
G 50.0	21.92	21.87	22.75	21.86	22.40	21.85	22.29
G 55.0	12.88	12.90	13.61	13.65	13.22	13.26	13.33
G 60.0	7.93	7.90	8.40	7.97	8.21	7.95	8.27
G 65.0	4.85	4.82	5.17	4.89	5.03	5.00	5.05
G 70.0	2.78	2.75	2.89	2.73	2.83	2.75	2.85
G 75.0	1.75	1.76	1.82	1.76	1.84	1.81	1.76
G 80.0	1.00	0.99	1.07	1.08	1.01	1.07	1.03
G 85.0	0.39	0.40	0.43	0.39	0.41	0.39	0.42
G 90.0	0.31	0.32	0.32	0.32	0.34	0.33	0.33

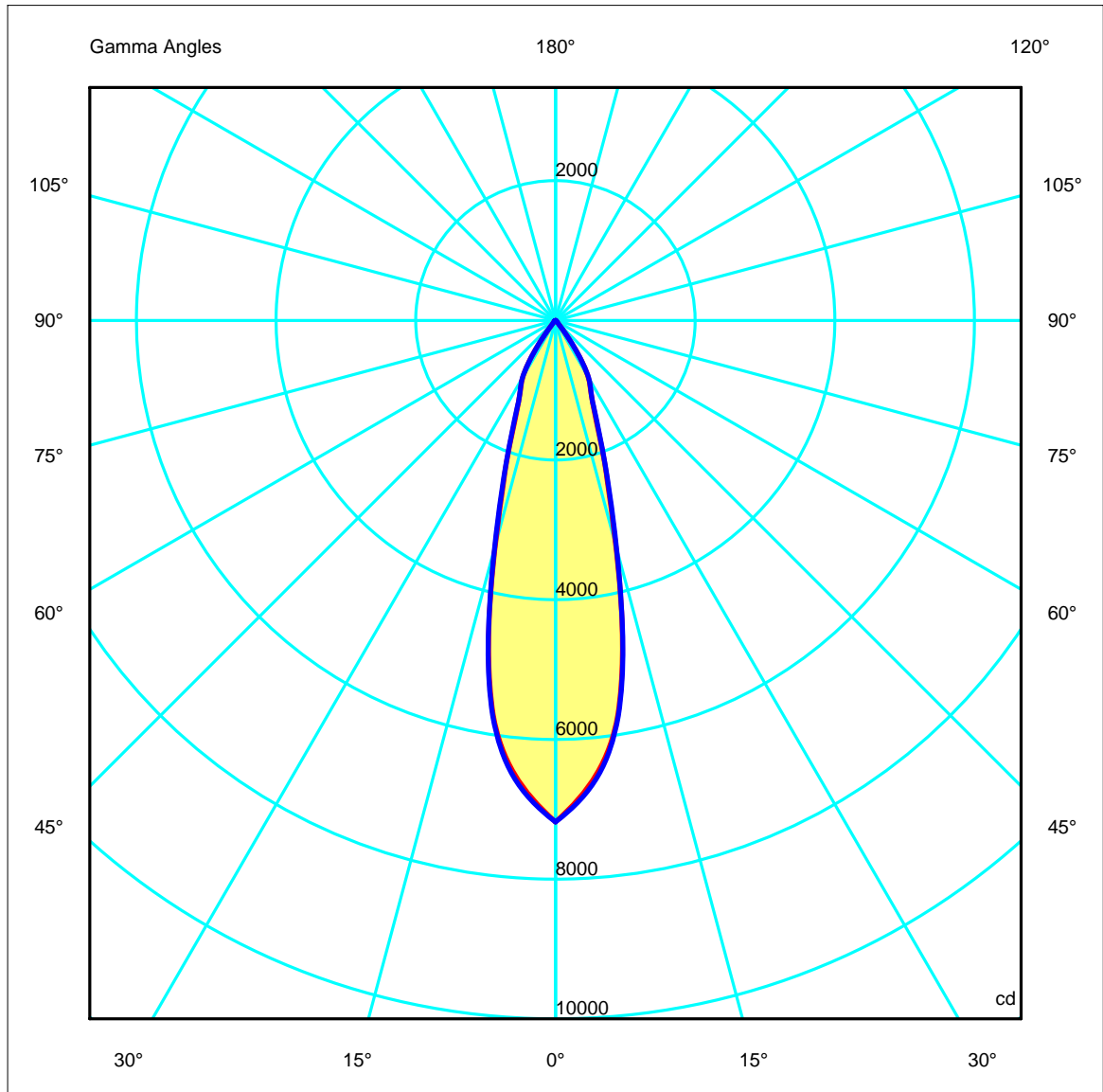
<b>Luminaire</b>		<b>Measur.</b>		<b>Lamp</b>	
Code	90-2611	Code	90-2556	Code	L2611 33.7W 80 4000K
Name	BOND LED 33.7W 840 24°	Name	BOND LED 21.8W 840 24°	Number	1
Line	- LEDS C4 LEDS	Date	28-04-2014	Position	Universal
Efficiency	100.00%	Coordinate system	CG	Total Flux	2508.98 lm
Maximum value	7179.00 cd	Position	C=0.00 G=0.00	Double Symmetrical	

Diam=145mm Incasso

C Halfplanes

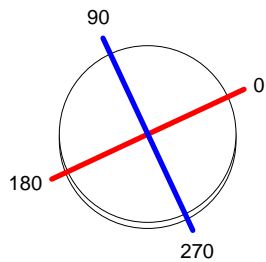


180.0 ————— 0.0  
 270.0 ————— 90.0



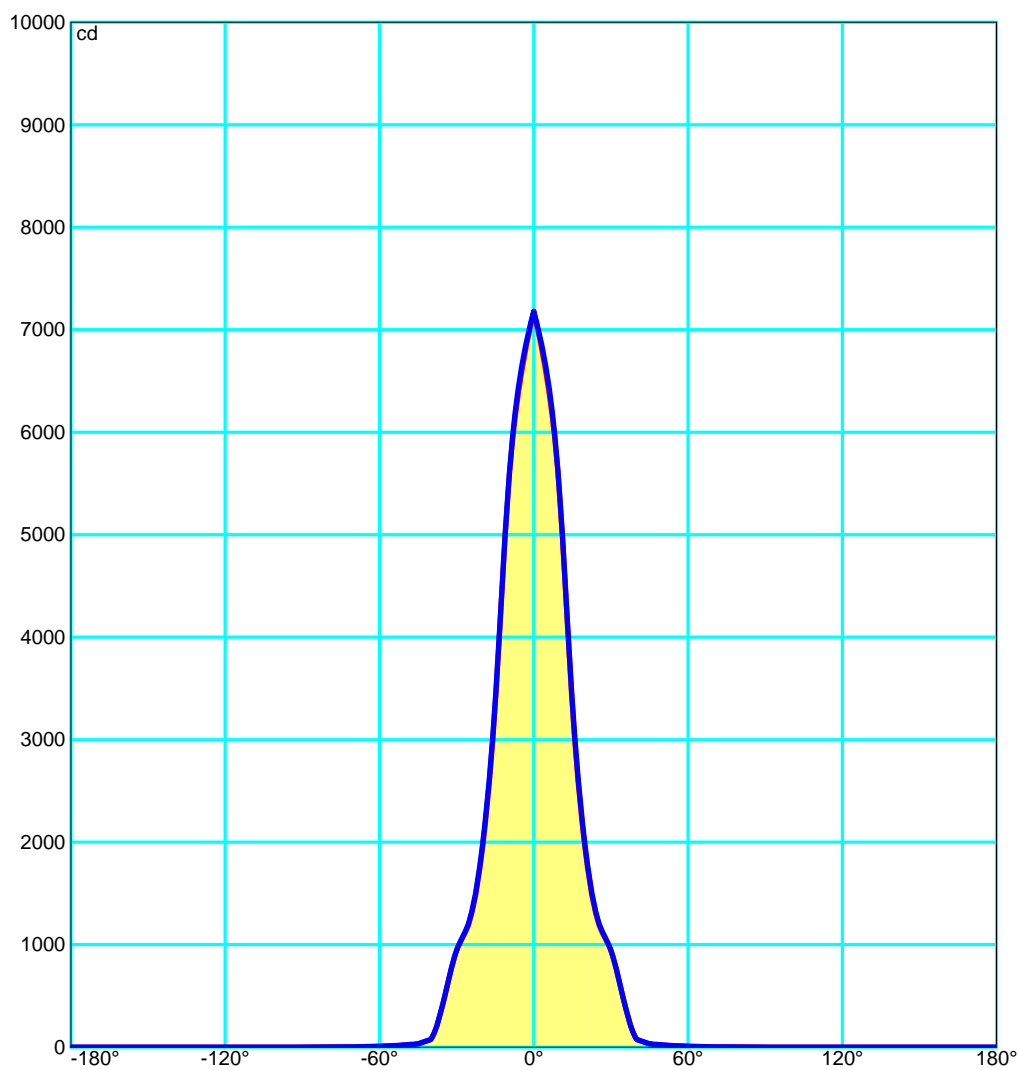
Luminaire		Measur.		Lamp	
Code	90-2611	Code	90-2556	Code	L2611 33.7W 80 4000K
Name	BOND LED 33.7W 840 24°	Name	BOND LED 21.8W 840 24°	Number	1
Line	- LEDS C4 LEDS	Date	28-04-2014	Position	Universal
Efficiency	100.00%	Coordinate system	CG	Total Flux	2508.98 lm
Maximum value	7179.00 cd	Position	C=0.00 G=0.00	Double Symmetrical	

Diam=145mm Incasso



C Halfplanes

180.0 ———— 0.0  
270.0 ———— 90.0



<b>Luminaire</b>		<b>Measur.</b>		<b>Lamp</b>	
Code	90-2611	Code	90-2556	Code	L2611 33.7W 80 4000K
Name	BOND LED 33.7W 840 24°	Name	BOND LED 21.8W 840 24°	Number	1
Line	- LEDS C4 LEDS	Date	28-04-2014	Position	Universal
Efficiency	100.00%	Coordinate system	CG	Total Flux	2508.98 lm
Maximum value	7179.00 cd	Position	C=0.00 G=0.00	Double Symmetrical	

**UGR**  
S = 0.250

Reflectancies										
Ceiling/Cavity	0.7	0.7	0.5	0.5	0.3	0.7	0.7	0.5	0.5	0.3
Walls	0.5	0.3	0.5	0.3	0.3	0.5	0.3	0.5	0.3	0.3
WorkingPlane	0.2	0.2	0.2	0.2	0.2	0.2	0.2	0.2	0.2	0.2
RoomDimensions	ViewedCrosswise					ViewedEndwise				
x=2H y=2H	15.7	16.4	16.0	16.6	16.6	15.6	16.2	15.8	16.4	16.6
x=2H y=3H	15.6	16.2	15.9	16.4	16.5	15.5	16.0	15.7	16.3	16.5
x=2H y=4H	15.5	16.1	15.8	16.3	16.4	15.4	15.9	15.7	16.2	16.4
x=2H y=6H	15.5	16.0	15.8	16.3	16.4	15.3	15.8	15.6	16.1	16.4
x=2H y=8H	15.4	15.9	15.8	16.2	16.4	15.3	15.8	15.6	16.1	16.4
x=2H y=12H	15.4	15.9	15.7	16.2	16.3	15.3	15.7	15.6	16.0	16.3
x=4H y=2H	15.5	16.1	15.8	16.3	16.4	15.4	15.9	15.7	16.2	16.4
x=4H y=3H	15.4	15.9	15.8	16.2	16.3	15.3	15.7	15.6	16.0	16.3
x=4H y=4H	15.4	15.7	15.7	16.1	16.3	15.2	15.6	15.6	15.9	16.3
x=4H y=6H	15.3	15.6	15.7	16.0	16.2	15.1	15.5	15.5	15.8	16.2
x=4H y=8H	15.2	15.5	15.6	15.9	16.2	15.1	15.4	15.5	15.8	16.2
x=4H y=12H	15.2	15.5	15.6	15.8	16.1	15.1	15.3	15.5	15.7	16.1
x=8H y=4H	15.2	15.5	15.6	15.9	16.2	15.1	15.4	15.5	15.8	16.2
x=8H y=6H	15.2	15.4	15.6	15.8	16.1	15.0	15.2	15.5	15.6	16.1
x=8H y=8H	15.1	15.3	15.6	15.7	16.1	15.0	15.2	15.4	15.6	16.1
x=8H y=12H	15.1	15.2	15.6	15.7	16.0	14.9	15.1	15.4	15.5	16.0
x=12H y=4H	15.2	15.5	15.6	15.8	16.1	15.1	15.3	15.5	15.7	16.1
x=12H y=6H	15.1	15.3	15.6	15.7	16.1	15.0	15.2	15.4	15.6	16.1
x=12H y=8H	15.1	15.2	15.6	15.7	16.0	14.9	15.1	15.4	15.5	16.0

<b>Luminaire</b>		<b>Measur.</b>		<b>Lamp</b>	
Code	90-2611	Code	90-2556	Code	L2611 33.7W 80 4000K
Name	BOND LED 33.7W 840 24°	Name	BOND LED 21.8W 840 24°	Number	1
Line	- LEDS C4 LEDS	Date	28-04-2014	Position	Universal
Efficiency	100.00%	Coordinate system	CG	Total Flux	2508.98 lm
Maximum value	7179.00 cd	Position	C=0.00 G=0.00	Double Symmetrical	

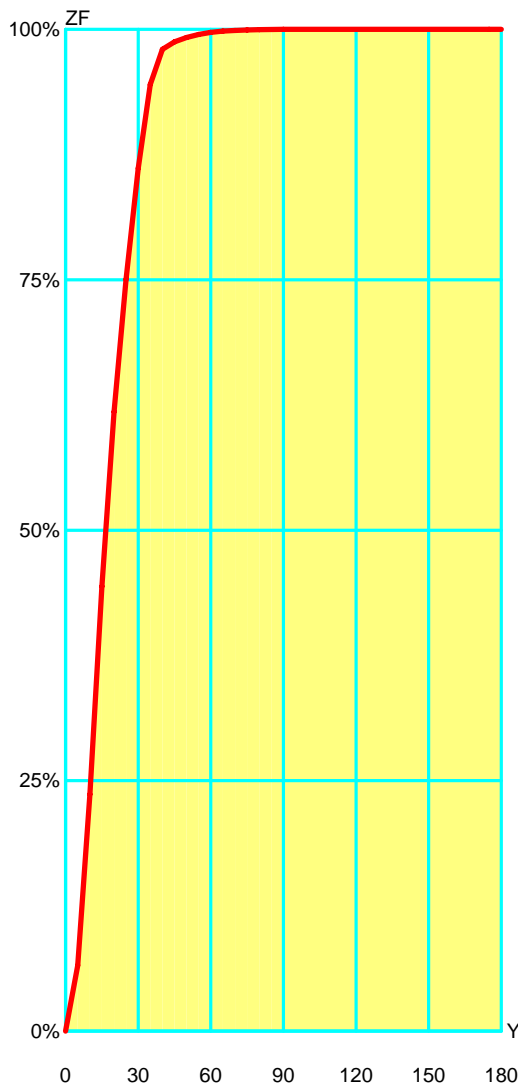
Total Flux=2508.98 Luminaire Flux=2508.97

RI	0.60	0.80	1.00	1.25	1.50	2.00	2.50	3.00	4.00	5.00	10.00	20.00
DRR	0.73	0.78	0.82	0.86	0.88	0.93	0.95	0.97	0.99	1.00	1.02	1.02
RC	-	-	-	-	-	-	-	-	-	-	-	-

Zonal Flux per 1000 Lumen																		
Y°	10	20	30	40	50	60	70	80	90	100	110	120	130	140	150	160	170	180
ZF(Y)	236	618	861	980	992	997	999	1000	1000	1000	1000	1000	1000	1000	1000	1000	1000	1000

CIE Flux Codes  
99 100 100 100 100

C.I.E.	-/-/-/-/-/-/-/-/-/-	LOR	99.99960 %
D DIN 5040	A60	ULOR	0.00000 %
F UTE	--	DLOR	99.99960 %
B NBN	BZ 1	UFF	0.00000 %
RN	0.00000 %	DFF	100.00000 %
BLF	1.0	FFR	0.00000 %



Zonal Flux				
Gamma °	Flux	Sum lm	Flux [%]	Sum [%]
0°	0.00	0.00	0.00%	0.00 %
5°	65.53	65.53	6.55 %	6.55 %
10°	170.79	236.32	17.08 %	23.63 %
15°	207.57	443.89	20.76 %	44.39 %
20°	174.49	618.38	17.45 %	61.84 %
25°	132.32	750.70	13.23 %	75.07 %
30°	110.64	861.34	11.06 %	86.13 %
35°	83.60	944.95	8.36 %	94.49 %
40°	35.17	980.12	3.52 %	98.01 %
45°	7.49	987.61	0.75 %	98.76 %
50°	4.28	991.89	0.43 %	99.19 %
55°	3.07	994.96	0.31 %	99.50 %
60°	1.97	996.93	0.20 %	99.69 %
65°	1.27	998.20	0.13 %	99.82 %
70°	0.78	998.98	0.08 %	99.90 %
75°	0.48	999.46	0.05 %	99.95 %
80°	0.30	999.76	0.03 %	99.98 %
85°	0.16	999.92	0.02 %	99.99 %
90°	0.08	1000.00	0.01 %	100.00 %
95°	0.00	1000.00	0.00 %	100.00 %
100°	0.00	1000.00	0.00 %	100.00 %
105°	0.00	1000.00	0.00 %	100.00 %
110°	0.00	1000.00	0.00 %	100.00 %
115°	0.00	1000.00	0.00 %	100.00 %
120°	0.00	1000.00	0.00 %	100.00 %
125°	0.00	1000.00	0.00 %	100.00 %
130°	0.00	1000.00	0.00 %	100.00 %
135°	0.00	1000.00	0.00 %	100.00 %
140°	0.00	1000.00	0.00 %	100.00 %
145°	0.00	1000.00	0.00 %	100.00 %
150°	0.00	1000.00	0.00 %	100.00 %
155°	0.00	1000.00	0.00 %	100.00 %
160°	0.00	1000.00	0.00 %	100.00 %
165°	0.00	1000.00	0.00 %	100.00 %
170°	0.00	1000.00	0.00 %	100.00 %
175°	0.00	1000.00	0.00 %	100.00 %
180°	0.00	1000.00	0.00 %	100.00 %

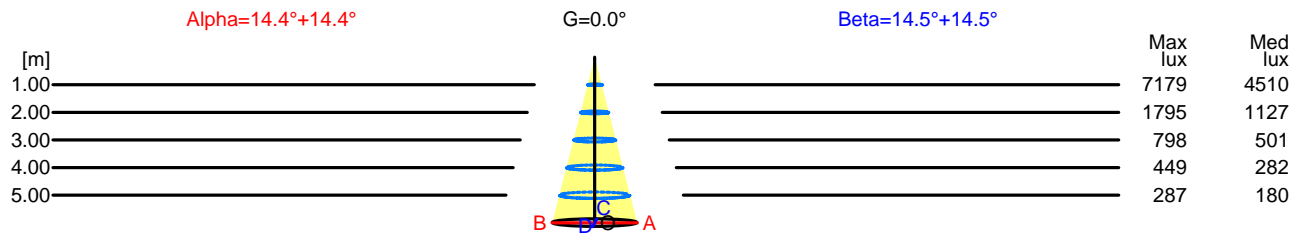


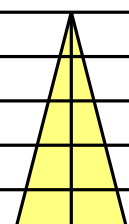
<b>Luminaire</b>		<b>Measur.</b>		<b>Lamp</b>	
Code	90-2611	Code	90-2556	Code	L2611 33.7W 80 4000K
Name	BOND LED 33.7W 840 24°	Name	BOND LED 21.8W 840 24°	Number	1
Line	- LEDS C4 LEDS	Date	28-04-2014	Position	Universal
Efficiency	100.00%	Coordinate system	CG	Total Flux	2508.98 lm
Maximum value	7179.00 cd	Position	C=0.00 G=0.00	Double Symmetrical	

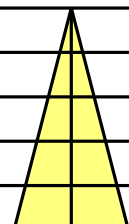
Width at 50.00 % of Max Intensity

H[m]	1.00	2.00	3.00	4.00	5.00	H[m]	1.00	2.00	3.00	4.00	5.00
OA	0.26	0.51	0.77	1.03	1.28	OC	0.26	0.52	0.77	1.03	1.29
OB	0.26	0.51	0.77	1.03	1.28	OD	0.26	0.52	0.77	1.03	1.29

		Luminous Intensities [ cd ]									
		0	5	15	25	35	45	55	65	75	85
OA	7179.00	6547.70	3337.80	1223.17	457.54	30.73	12.88	4.85	1.75	0.39	
OB	7179.00	6547.70	3337.80	1223.17	457.54	30.73	12.88	4.85	1.75	0.39	
OC	7179.00	6598.84	3371.63	1236.73	457.95	31.29	13.33	5.05	1.76	0.42	
OD	7179.00	6598.84	3371.63	1236.73	457.95	31.29	13.33	5.05	1.76	0.42	



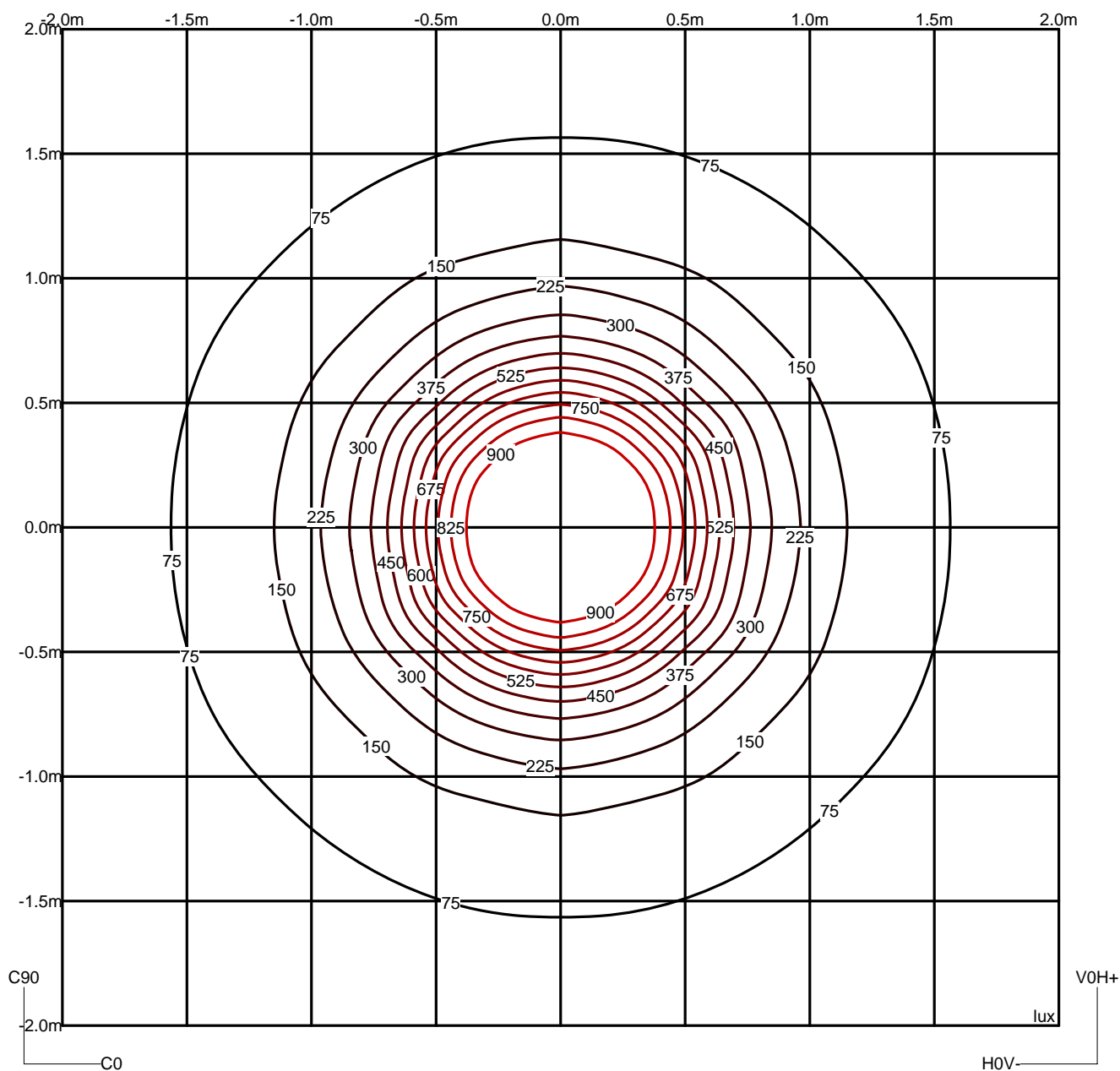
H[m]	D[m]	Max lux	Med lux	Alpha=14.4°+14.4°	G=0.0
1.00	0.51	7179	4510		
2.00	1.03	1795	1127		
3.00	1.54	798	501		
4.00	2.05	449	282		
5.00	2.56	287	180		

H[m]	D[m]	Max lux	Med lux	Beta=14.5°+14.5°	G=0.0
1.00	0.52	7179	4510		
2.00	1.03	1795	1127		
3.00	1.55	798	501		
4.00	2.06	449	282		
5.00	2.58	287	180		

Luminaire		Measuram.		Lamp	
Code	90-2611	Code	90-2556	Code	L2611 33.7W 80 4000K
Name	BOND LED 33.7W 840 24°	Name	BOND LED 21.8W 840 24°	Number	1
Line	- LEDS C4 LEDS	Date	28-04-2014	Position	Universal
Efficiency	100.00%	Coordinate system	CG	Total Flux	2508.98 lm
Maximum value	7179.00 cd	Position	C=0.00 G=0.00	Double Symmetrical	

Isolux (Floor)

Luminaire position X=0.00m Y=0.00m Z=2.50m



<b>Luminaire</b>		<b>Measur.</b>		<b>Lamp</b>	
Code	90-2611	Code	90-2556	Code	L2611 33.7W 80 4000K
Name	BOND LED 33.7W 840 24°	Name	BOND LED 21.8W 840 24°	Number	1
Line	- LEDS C4 LEDS	Date	28-04-2014	Position	Universal
Efficiency	100.00%	Coordinate system	CG	Total Flux	2508.98 lm
Maximum value	7179.00 cd	Position	C=0.00 G=0.00	Double Symmetrical	

Utilizations CIE

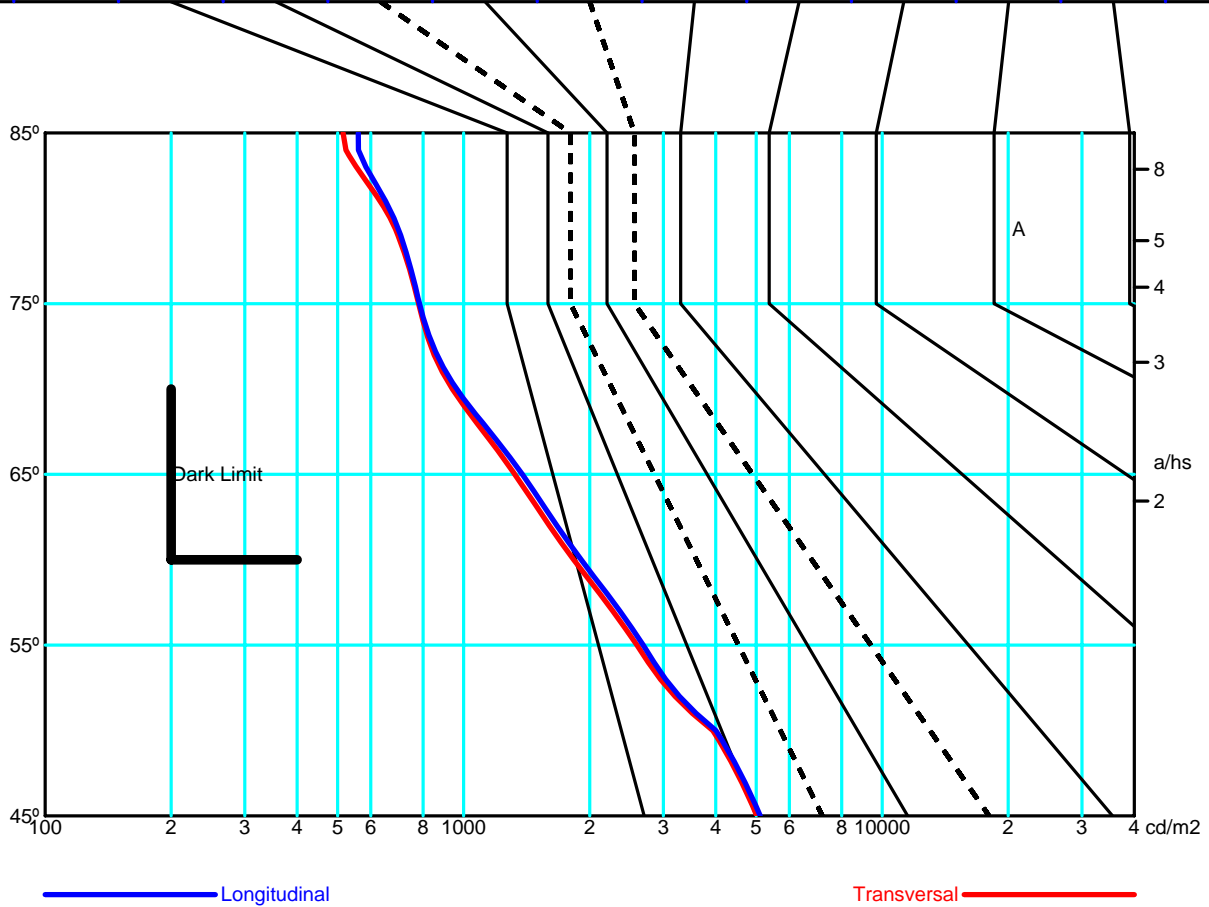
Mounting	Direct	Normalization										Suspension Ratio			Standard CIE Settings									
		8873	8773	8871	8771	7773	7771	7753	7553	7751	7551	7731	7331	7711	7111	5551	5531	5331	5511	5111	3331	3311	1111	0000
Ceiling																								
K		8873	8773	8871	8771	7773	7771	7753	7553	7751	7551	7731	7331	7711	7111	5551	5531	5331	5511	5111	3331	3311	1111	0000
0.60		161	144	90	81	137	77	94	80	50	42	31	24	18	12	40	25	22	14	12	21	12	11	0
0.80		194	178	98	91	169	87	123	108	59	52	40	32	25	19	49	33	30	21	18	29	18	16	0
1.00		217	202	99	93	192	89	147	131	65	58	47	38	32	25	54	40	36	28	24	35	24	22	0
1.25		240	226	101	96	215	92	172	157	70	64	53	45	40	32	60	46	43	35	31	41	31	28	0
1.50		258	245	102	97	234	94	193	178	74	69	59	51	46	38	65	52	49	41	37	47	37	34	0
2.00		282	271	99	96	258	93	224	210	79	74	67	60	57	49	70	60	57	51	47	55	47	43	0
2.50		297	288	97	95	275	92	246	233	81	77	72	66	64	57	74	66	63	59	55	61	55	51	0
3.00		309	300	95	93	287	90	263	251	83	79	76	70	70	63	76	70	68	65	61	65	61	57	0
4.00		326	319	95	94	305	91	286	276	86	84	82	77	78	72	80	77	75	73	69	72	69	65	0
5.00		337	331	96	94	317	92	302	293	89	87	86	82	83	78	84	81	79	79	75	77	75	71	0
10.00		361	358	97	96	343	94	337	332	95	93	95	93	95	92	91	91	90	91	89	88	88	85	0
20.00		374	373	98	98	358	96	357	354	98	98	100	99	102	100	95	97	96	99	98	94	96	93	0
Wall																								
K		8873	8773	8871	8771	7773	7771	7753	7553	7751	7551	7731	7331	7711	7111	5551	5531	5331	5511	5111	3331	3311	1111	0000
0.60		277	268	188	183	264	181	208	201	146	143	122	120	105	103	141	120	119	104	103	118	103	103	80
0.80		310	300	200	196	293	193	238	230	161	157	138	134	121	118	155	134	133	119	117	132	117	116	90
1.00		324	314	197	193	305	189	254	245	162	158	141	137	125	122	155	137	135	123	121	133	120	119	89
1.25		340	330	196	193	319	189	272	262	165	161	146	142	132	127	157	141	139	128	126	137	125	123	90
1.50		351	341	194	191	328	187	285	274	166	162	149	144	135	131	157	143	141	131	129	138	127	125	89
2.00		350	342	174	171	326	167	290	280	152	149	139	134	128	123	142	132	130	123	120	126	118	114	75
2.50		343	335	152	150	317	146	287	277	134	132	125	120	116	111	125	117	115	110	107	110	104	99	58
3.00		330	323	130	128	303	123	278	269	115	113	108	104	101	96	105	99	98	94	91	92	88	82	39
4.00		321	315	108	106	293	101	273	265	96	94	91	87	87	82	86	82	80	78	76	74	71	64	19
5.00		309	304	88	87	281	82	265	257	78	76	75	71	72	67	68	65	64	63	60	56	55	47	0
10.00		236	233	0	0	206	0	199	194	0	0	0	0	0	0	0	0	0	0	0	0	0	0	0
20.00		100	99	0	0	69	0	68	65	0	0	0	0	0	0	0	0	0	0	0	0	0	0	0
Working Pl.																								
K		8873	8773	8871	8771	7773	7771	7753	7553	7751	7551	7731	7331	7711	7111	5551	5531	5331	5511	5111	3331	3311	1111	0000
0.60		910	901	849	844	895	841	827	820	796	793	766	763	744	742	791	763	762	742	742	761	741	741	733
0.80		972	961	895	890	952	886	884	875	843	839	813	809	790	787	835	808	807	788	786	805	786	784	776
1.00		1000	1000	936	931	1000	925	939	928	888	884	860	855	839	835	879	854	852	835	833	850	832	830	822
1.25		1000	1000	966	961	1000	955	985	973	922	918	897	891	877	871	911	889	887	871	868	883	867	864	856
1.50		1000	1000	987	983	1000	976	1000	1000	947	942	924	918	905	899	934	915	912	898	895	907	893	889	881
2.00		1000	1000	1000	1000	1000	1000	1000	1000	988	983	970	963	955	948	973	959	956	946	942	949	938	932	925
2.50		1000	1000	1000	1000	1000	1000	1000	1000	1000	1000	1000	1000	1000	1000	994	988	981	998	987	985	977	973	954
3.00		1000	1000	1000	1000	1000	1000	1000	1000	1000	1000	1000	1000	1000	1000	1000	1000	1000	1000	1000	1000	996	990	974
4.00		1000	1000	1000	1000	1000	1000	1000	1000	1000	1000	1000	1000	1000	1000	1000	1000	1000	1000	1000	1000	1000	1000	991
5.00		1000	1000	1000	1000	1000	1000	1000	1000	1000	1000	1000	1000	1000	1000	1000	1000	1000	1000	1000	1000	1000	1000	1000
10.00		1000	1000	1000	1000	1000	1000	1000	1000	1000	1000	1000	1000	1000	1000	1000	1000	1000	1000	1000	1000	1000	1000	1000
20.00		1000	1000	1000	1000	1000	1000	1000	1000	1000	1000	1000	1000	1000	1000	1000	1000	1000	1000	1000	1000	1000	1000	1000

LM53 SHR C0-C180: 0.480 SHR C90-C270: 0.480 SHR Square: 0.492

<b>Luminaire</b>		<b>Measur.</b>		<b>Lamp</b>	
Code	90-2611	Code	90-2556	Code	L2611 33.7W 80 4000K
Name	BOND LED 33.7W 840 24°	Name	BOND LED 21.8W 840 24°	Number	1
Line	- LEDS C4 LEDS	Date	28-04-2014	Position	Universal
Efficiency	100.00%	Coordinate system	CG	Total Flux	2508.98 lm
Maximum value	7179.00 cd	Position	C=0.00 G=0.00	Double Symmetrical	

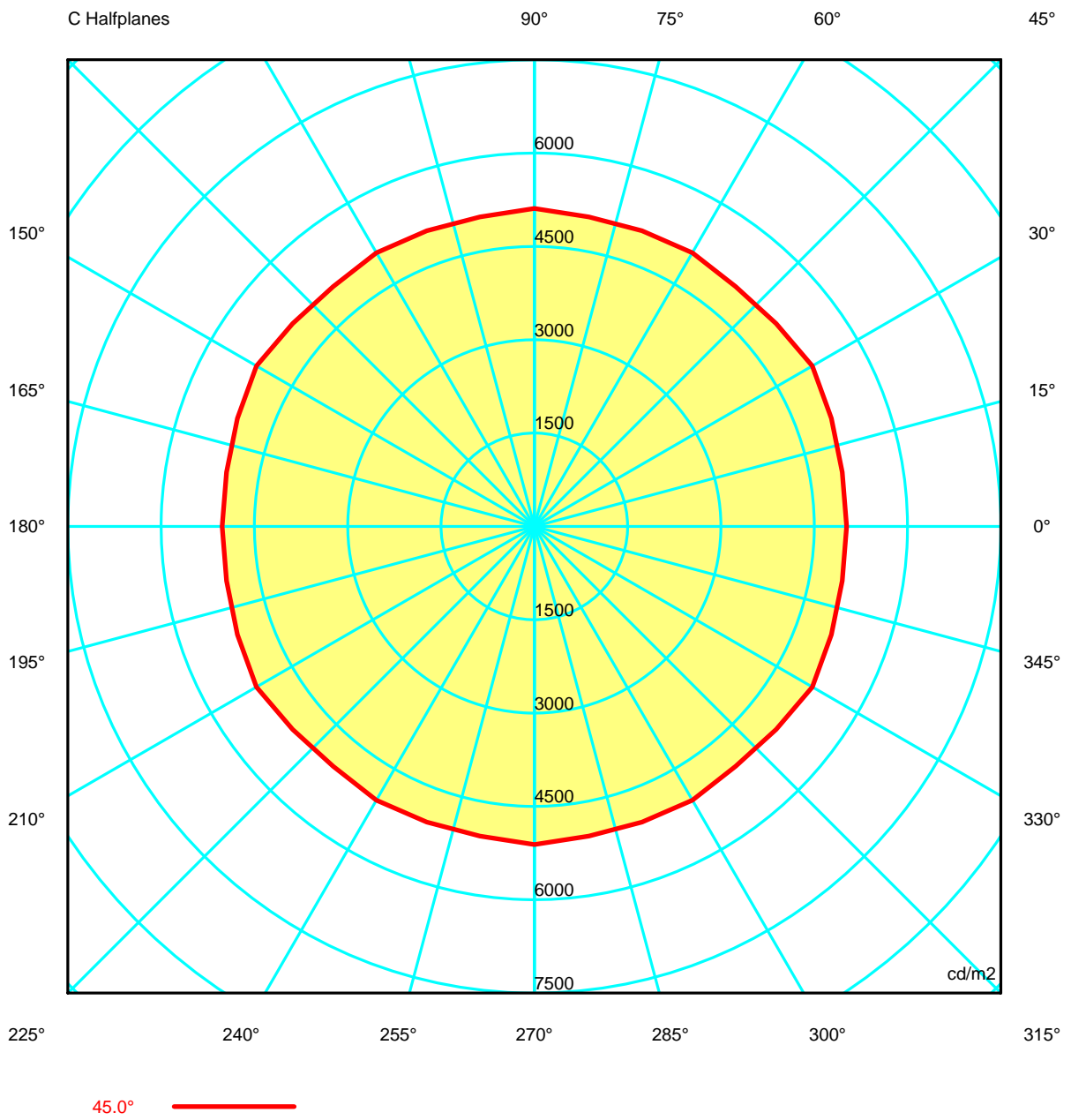
Average Luminance [cd/m²]											
	0.0°	45°	50°	55°	60°	65°	70°	75°	80°	85°	
	90.0°	5019	3938	2593	1833	1326	940	781	667	515	---
		5111	4005	2684	1909	1381	963	785	682	560	---

Flush mounted or longitudinal view												
		Illumination(lx)										
A	A	2000	1000	750	500		<300					1.15
B	1		2000	1500	1000	750	500	<300				1.5
C					2000		1000	500	<300			1.85
D	2						2000	1000	500	<300		2.2
E	3							2000	1000	500	<300	2.55



<b>Luminaire</b>		<b>Measur.</b>		<b>Lamp</b>	
Code	90-2611	Code	90-2556	Code	L2611 33.7W 80 4000K
Name	BOND LED 33.7W 840 24°	Name	BOND LED 21.8W 840 24°	Number	1
Line	- LEDS C4 LEDS	Date	28-04-2014	Position	Universal
Efficiency	100.00%	Coordinate system	CG	Total Flux	2508.98 lm
Maximum value	7179.00 cd	Position	C=0.00 G=0.00	Double Symmetrical	

Luminance



<b>Luminaire</b>	<b>Measur.</b>	<b>Lamp</b>
Code 90-2611	Code 90-2556	Code L2611 33.7W 80 4000K
Name BOND LED 33.7W 840 24°	Name BOND LED 21.8W 840 24°	Number 1
Line - LEDS C4 LEDS	Date 28-04-2014	Position Universal

Efficiency	100.00%	Coordinate system	CG	Total Flux	2508.98 lm
Maximum value	7179.00 cd	Position	C=0.00 G=0.00	Double Symmetrical	

**Luminance cd/m2 Table 1/3**

	C 0.00	C 10.00	C 20.00	C 30.00	C 40.00	C 50.00	C 60.00	C 70.00	C 80.00	C 90.00	C 100.00	C 110.00	C 120.00
G 0.0	829079.33	829079.33	829079.33	829079.33	829079.33	829079.33	829079.33	829079.33	829079.33	829079.33	829079.33	829079.33	829079.33
G 5.0	759060.90	762037.85	763970.84	763488.37	760501.43	760956.35	763418.35	761048.61	760637.09	764990.11	760637.09	761048.61	763418.35
G 10.0	632328.54	633502.71	636306.40	639316.36	635589.71	633313.91	632903.27	630513.74	630547.65	634708.48	630547.65	630513.74	632903.27
G 15.0	399070.22	399318.68	406890.20	418550.64	406822.11	400774.84	402034.60	400457.10	399563.62	403113.99	399563.62	400457.10	402034.60
G 20.0	237494.86	235513.63	238973.11	243141.41	238549.01	236383.34	238532.00	236238.75	236128.08	241044.29	236128.08	236238.75	238532.00
G 25.0	155863.08	155878.81	157250.09	159114.94	156404.46	156212.81	158065.42	154713.51	153547.75	157591.32	153547.75	154713.51	158065.42
G 30.0	125500.02	128622.33	129621.26	129714.15	129857.48	128877.32	127935.23	129735.98	129619.09	126025.66	129619.09	129735.98	127935.23
G 35.0	64505.19	62539.39	66655.43	71095.88	64858.54	62014.51	65059.11	62897.92	61645.47	64563.88	61645.47	62897.92	65059.11
G 40.0	11084.00	9130.94	10266.75	12528.99	11175.49	10399.67	10619.58	10119.81	10099.23	11253.71	10099.23	10119.81	10619.58
G 45.0	5019.43	5025.03	5080.68	5159.86	5073.22	5032.02	5079.45	5056.67	5052.06	5110.97	5052.06	5056.67	5079.45
G 50.0	3937.92	3904.82	3992.62	4087.40	3973.91	3943.19	4023.68	3960.79	3926.15	4005.21	3926.15	3960.79	4023.68
G 55.0	2593.47	2595.45	2639.79	2741.07	2765.56	2717.72	2661.12	2660.58	2677.46	2684.21	2677.46	2660.58	2661.12
G 60.0	1832.60	1808.66	1869.54	1939.94	1871.97	1849.96	1896.57	1856.59	1843.21	1909.05	1843.21	1856.59	1896.57
G 65.0	1325.50	1304.96	1354.34	1413.82	1361.91	1348.06	1373.43	1369.06	1367.03	1380.59	1367.03	1369.06	1373.43
G 70.0	939.69	923.80	948.20	975.71	935.93	926.02	955.12	937.92	931.15	962.81	931.15	937.92	955.12
G 75.0	780.62	783.17	796.76	813.87	792.81	794.08	821.42	816.56	798.65	785.24	798.65	816.56	821.42
G 80.0	667.25	655.08	671.91	709.68	727.64	703.16	673.63	698.86	711.38	681.86	711.38	698.86	673.63
G 85.0	515.09	521.87	545.23	571.91	535.38	523.22	543.02	520.06	516.86	559.83	516.86	520.06	543.02
G 90.0	0.00	0.00	0.00	0.00	0.00	0.00	0.00	0.00	0.00	0.00	0.00	0.00	0.00

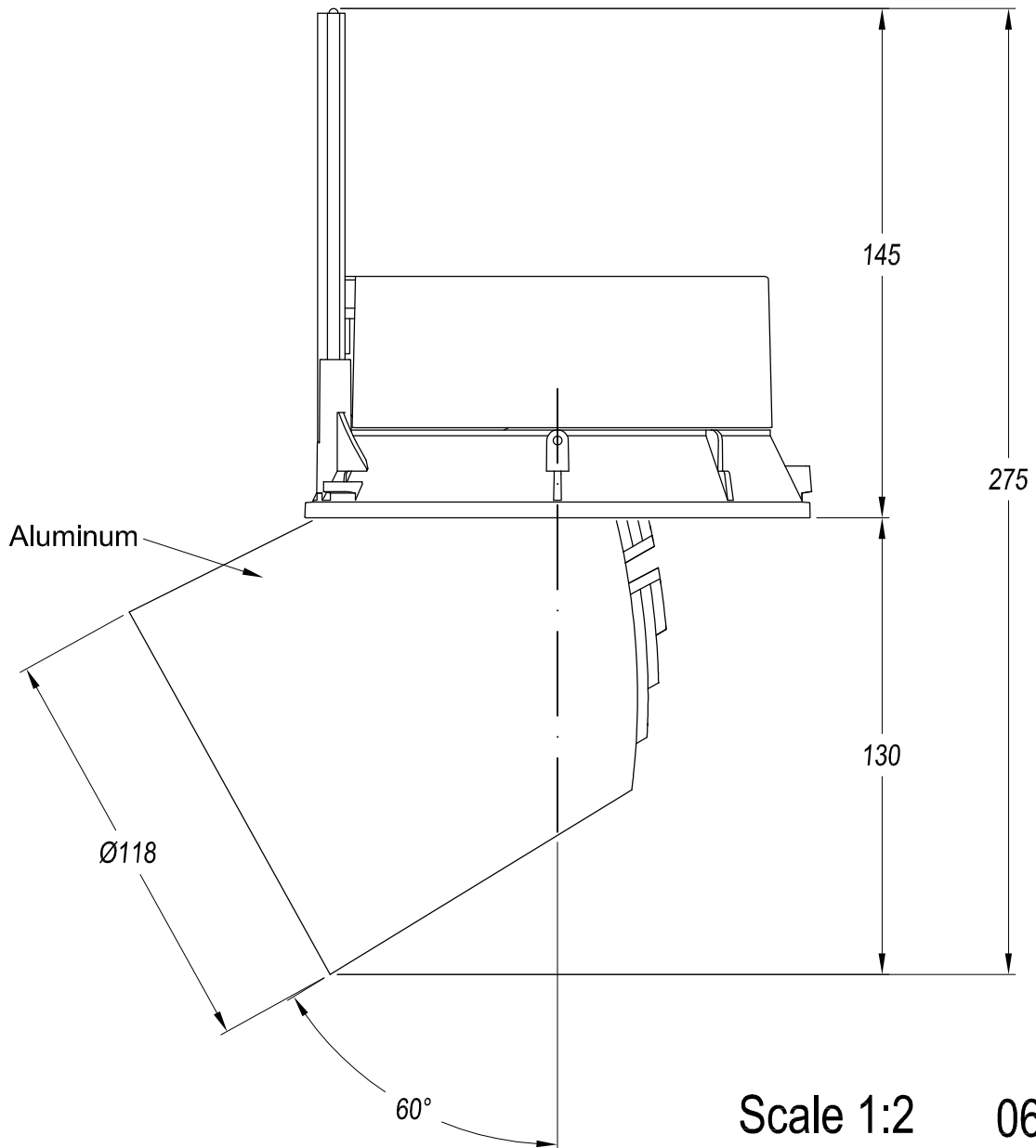
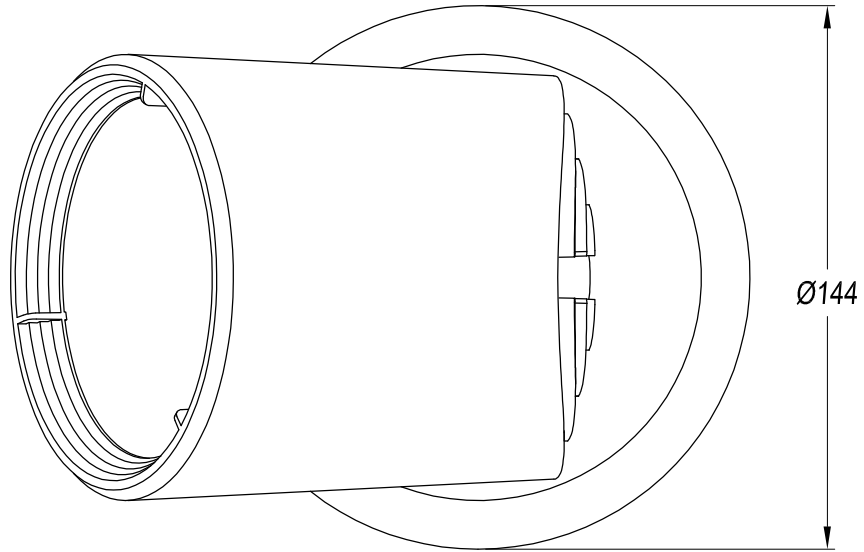
Luminaire		Measur.		Lamp									
Code	90-2611	Code	90-2556	Code	L2611 33.7W 80 4000K								
Name	BOND LED 33.7W 840 24°	Name	BOND LED 21.8W 840 24°	Number	1								
Line	- LEDS C4 LEDS	Date	28-04-2014	Position	Universal								
Efficiency	100.00%	Coordinate system	CG	Total Flux	2508.98 lm								
Maximum value	7179.00 cd	Position	C=0.00 G=0.00	Double Symmetrical									
Luminance cd/m2 Table 2/3													
	C 130.00	C 140.00	C 150.00	C 160.00	C 170.00	C 180.00	C 190.00	C 200.00	C 210.00	C 220.00	C 230.00	C 240.00	C 250.00
G 0.0	829079.33	829079.33	829079.33	829079.33	829079.33	829079.33	829079.33	829079.33	829079.33	829079.33	829079.33	829079.33	829079.33
G 5.0	760956.35	760501.43	763488.37	763970.84	762037.85	759060.90	762037.85	763970.84	763488.37	760501.43	760956.35	763418.35	761048.61
G 10.0	633313.91	635589.71	639316.36	636306.40	633502.71	632328.54	633502.71	636306.40	639316.36	635589.71	633313.91	632903.27	630513.74
G 15.0	400774.84	406822.11	418550.64	406890.20	399318.68	399070.22	399318.68	406890.20	418550.64	406822.11	400774.84	402034.60	400457.10
G 20.0	236383.34	238549.01	243141.41	238973.11	235513.63	237494.86	235513.63	238973.11	243141.41	238549.01	236383.34	238532.00	236238.75
G 25.0	156212.81	156404.46	159114.94	157250.09	155878.81	155863.08	155878.81	157250.09	159114.94	156404.46	156212.81	158065.42	154713.51
G 30.0	128877.32	129857.48	129714.15	129621.26	128622.33	125500.02	128622.33	129621.26	129714.15	129857.48	128877.32	127935.23	129735.98
G 35.0	62014.51	64858.54	71095.88	66655.43	62539.39	64505.19	62539.39	66655.43	71095.88	64858.54	62014.51	65059.11	62897.92
G 40.0	10399.67	11175.49	12528.99	10266.75	9130.94	11084.00	9130.94	10266.75	12528.99	11175.49	10399.67	10619.58	10119.81
G 45.0	5032.02	5073.22	5159.86	5080.68	5025.03	5019.43	5025.03	5080.68	5159.86	5073.22	5032.02	5079.45	5056.67
G 50.0	3943.19	3973.91	4087.40	3992.62	3904.82	3937.92	3904.82	3992.62	4087.40	3973.91	3943.19	4023.68	3960.79
G 55.0	2717.72	2765.56	2741.07	2639.79	2595.45	2593.47	2595.45	2639.79	2741.07	2765.56	2717.72	2661.12	2660.58
G 60.0	1849.96	1871.97	1939.94	1869.54	1808.66	1832.60	1808.66	1869.54	1939.94	1871.97	1849.96	1896.57	1856.59
G 65.0	1348.06	1361.91	1413.82	1354.34	1304.96	1325.50	1304.96	1354.34	1413.82	1361.91	1348.06	1373.43	1369.06
G 70.0	926.02	935.93	975.71	948.20	923.80	939.69	923.80	948.20	975.71	935.93	926.02	955.12	937.92
G 75.0	794.08	792.81	813.87	796.76	783.17	780.62	783.17	796.76	813.87	792.81	794.08	821.42	816.56
G 80.0	703.16	727.64	709.68	671.91	655.08	667.25	655.08	671.91	709.68	727.64	703.16	673.63	698.86
G 85.0	523.22	535.38	571.91	545.23	521.87	515.09	521.87	545.23	571.91	535.38	523.22	543.02	520.06
G 90.0	0.00	0.00	0.00	0.00	0.00	0.00	0.00	0.00	0.00	0.00	0.00	0.00	0.00

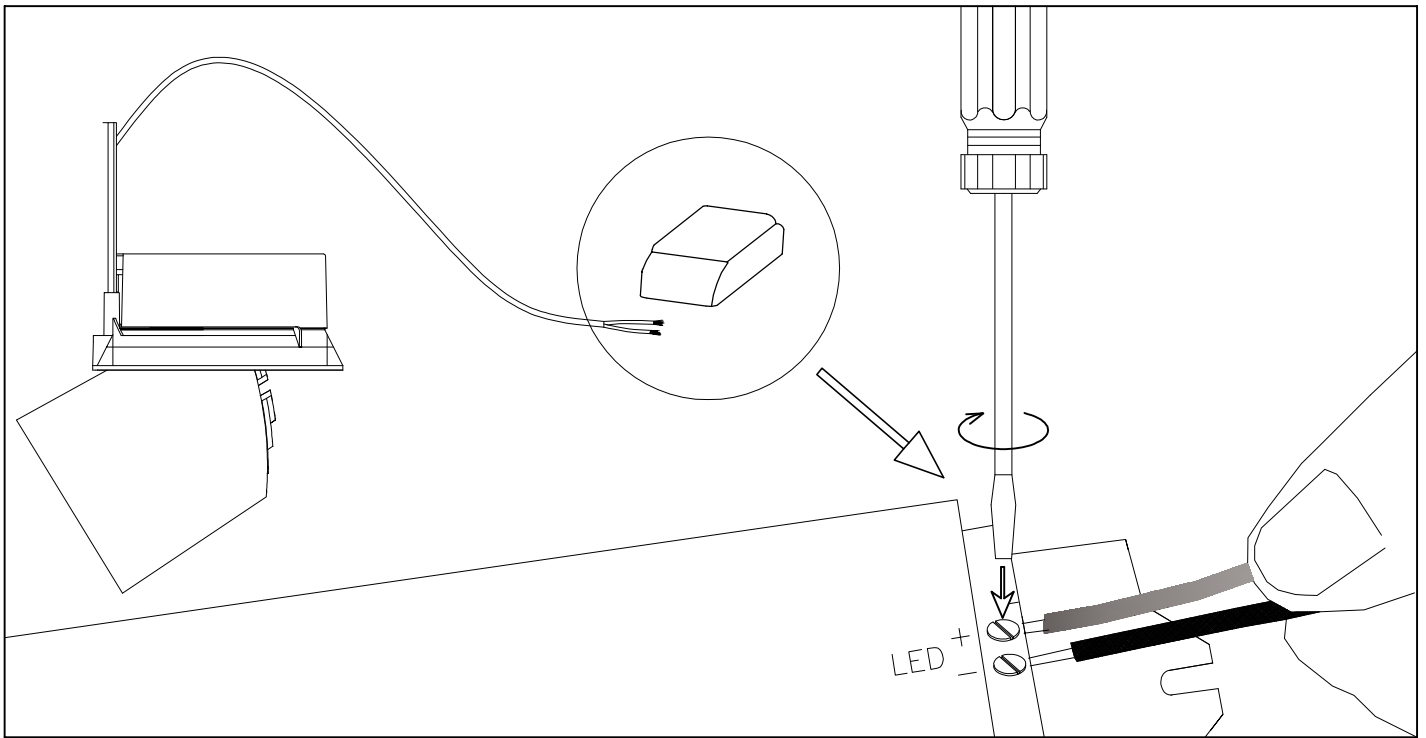
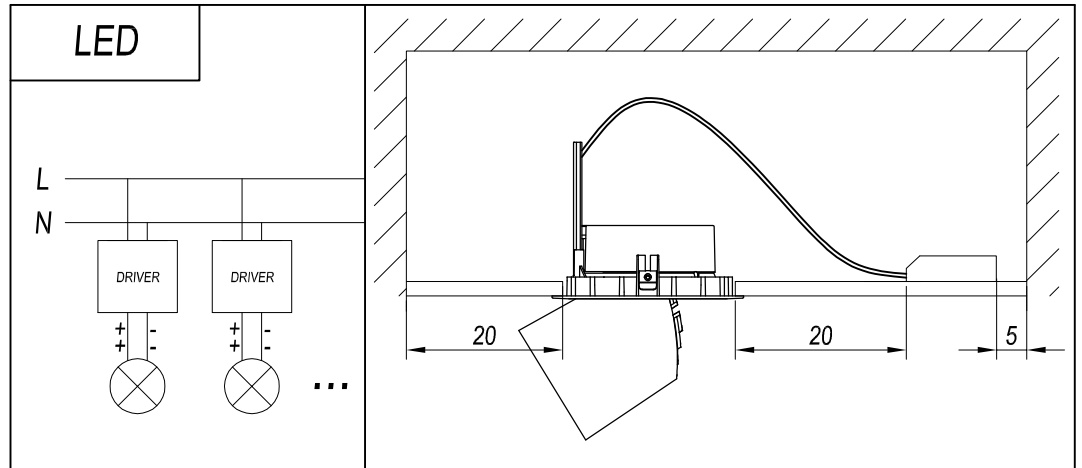
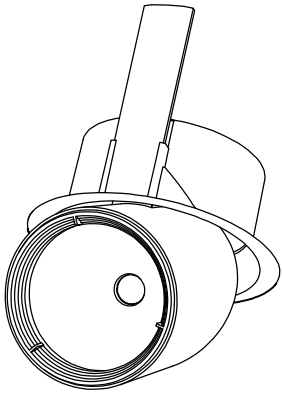
<b>Luminaire</b>		<b>Measur.</b>		<b>Lamp</b>	
Code	90-2611	Code	90-2556	Code	L2611 33.7W 80 4000K
Name	BOND LED 33.7W 840 24°	Name	BOND LED 21.8W 840 24°	Number	1
Line	- LEDS C4 LEDS	Date	28-04-2014	Position	Universal

Efficiency	100.00%	Coordinate system	CG	Total Flux	2508.98 lm
Maximum value	7179.00 cd	Position	C=0.00 G=0.00	Double Symmetrical	

		<b>Luminance cd/m2 Table 3/3</b>									
		C 260.00	C 270.00	C 280.00	C 290.00	C 300.00	C 310.00	C 320.00	C 330.00	C 340.00	C 350.00
G 0.0	829079.33	829079.33	829079.33	829079.33	829079.33	829079.33	829079.33	829079.33	829079.33	829079.33	829079.33
G 5.0	760637.09	764990.11	760637.09	761048.61	763418.35	760956.35	760501.43	763488.37	763970.84	762037.85	762037.85
G 10.0	630547.65	634708.48	630547.65	630513.74	632903.27	633313.91	635589.71	639316.36	636306.40	633502.71	633502.71
G 15.0	399563.62	403113.99	399563.62	400457.10	402034.60	400774.84	406822.11	418550.64	406890.20	399318.68	399318.68
G 20.0	236128.08	241044.29	236128.08	236238.75	238532.00	236383.34	238549.01	243141.41	238973.11	235513.63	235513.63
G 25.0	153547.75	157591.32	153547.75	154713.51	158065.42	156212.81	156404.46	159114.94	157250.09	155878.81	155878.81
G 30.0	129619.09	126025.66	129619.09	129735.98	127935.23	128877.32	129857.48	129714.15	129621.26	128622.33	128622.33
G 35.0	61645.47	64563.88	61645.47	62897.92	65059.11	62014.51	64858.54	71095.88	66655.43	62539.39	62539.39
G 40.0	10099.23	11253.71	10099.23	10119.81	10619.58	10399.67	11175.49	12528.99	10266.75	9130.94	9130.94
G 45.0	5052.06	5110.97	5052.06	5056.67	5079.45	5032.02	5073.22	5159.86	5080.68	5025.03	5025.03
G 50.0	3926.15	4005.21	3926.15	3960.79	4023.68	3943.19	3973.91	4087.40	3992.62	3904.82	3904.82
G 55.0	2677.46	2684.21	2677.46	2660.58	2661.12	2717.72	2765.56	2741.07	2639.79	2595.45	2595.45
G 60.0	1843.21	1909.05	1843.21	1856.59	1896.57	1849.96	1871.97	1939.94	1869.54	1808.66	1808.66
G 65.0	1367.03	1380.59	1367.03	1369.06	1373.43	1348.06	1361.91	1413.82	1354.34	1304.96	1304.96
G 70.0	931.15	962.81	931.15	937.92	955.12	926.02	935.93	975.71	948.20	923.80	923.80
G 75.0	798.65	785.24	798.65	816.56	821.42	794.08	792.81	813.87	796.76	783.17	783.17
G 80.0	711.38	681.86	711.38	698.86	673.63	703.16	727.64	709.68	671.91	655.08	655.08
G 85.0	516.86	559.83	516.86	520.06	543.02	523.22	535.38	571.91	545.23	521.87	521.87
G 90.0	0.00	0.00	0.00	0.00	0.00	0.00	0.00	0.00	0.00	0.00	0.00







**DOWNLIGHT USE**

\*IF IS NECESSARY,  
ADJUST TO AVOID FALL DOWN

