

Reflex Rectangular Bath



Description

Mirror for indoor use.

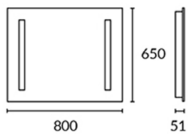
For frontal lighting. Timeless design. IP protection, ideal for bathrooms. Safety backing. High durability for intensive use. Structure material: Mirror. Structure finish: Partly sandblasted. Diffuser material: Acrylic. Diffuser finish: White. Warranty: 5 Years.

Finish

Partly sandblasted
White

Material

Mirror
Acrylic



TECHNICAL CHARACTERISTICS

Light source

Light source: LED REFOND
Output (W): 37.2W
Color temperature: LED warm-white
3000K
CRI: 80
Photobiological risk: RG0
Real Lumen: 1033
Qty Leds: 216
Lm/Real W: 28
Life Time: 50.000h L80B20
Bin / Grup: 30M
MacAdam steps: 3
UGR: 11.5

GEAR

Brand: EAGLERISE
Gear included: Yes, electronic
Power Factor: 0.90

Luminaire

Warranty: 5 Years

Logistics

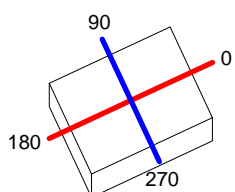
Energy Efficiency: NO BULB
EAN Code: 8435381423711
Net Weight (Kg): 9.840
Weight in Kg (packaged): 13.010
Packing: 700 x 230 x 915
Masterbox: 1

The photograph may not match the reference exactly. Please read the product description to identify the finish.

Luminaire		Measur.		Lamp		
Code	75-4858-K3-F1	Code	75-4858-K3-F1	Code	75-4838-K3-F1	
Name	Espejo REFLEX 38W leds	Name	Espejo REFLEX 38W leds	Number	1	
Line	Eulumdat	Date	08-06-2015	Position		
Efficiency	100.00%	Coordinate system	CG	Total Flux	1032.90 lm	
Maximum value	480.76 cd	Position	C=0.00 G=0.00	Double Symmetrical		
Rectangular Luminaire	Length	600 mm	Width	800 mm	Height	60 mm
Rectangular Luminous Area	Length	480 mm	Width	650 mm	Height	0 mm
Horizontal Luminous Area	0.312000 m2	Emitting area on Plane 180°		0.000000 m2		
Emitting area on Plane 0°	0.000000 m2	Emitting area on Plane 270°		0.000000 m2		
Emitting area on Plane 90°	0.000000 m2	Glare area at 76°		0.075480 m2		
Symmetry Type	Double Symmetrical	Maximum Gamma Angle		90		
Measurement Distance	0.00	Measurement Flux		1032.90 lm		
Operator	Asselum T2	Source voltage				
Temperature	25.00 °C	Source current				
Humidity	60.00 %	Photocell				
Notes						

Luminaire Lamps						
Line	Code	Name	Flux [lm]	Pow. [W]	Q.ty	
Eulumdat	75-4838-K3-F1	75-4838-K3-F1 - 38.00 W	1032.90	38.00	1	
C.I.E.	54 83 97 100 100	D DIN 5040	A40			
F UTE	1.00 D	B NBN	BZ 3 / 0.6 / BZ 4			

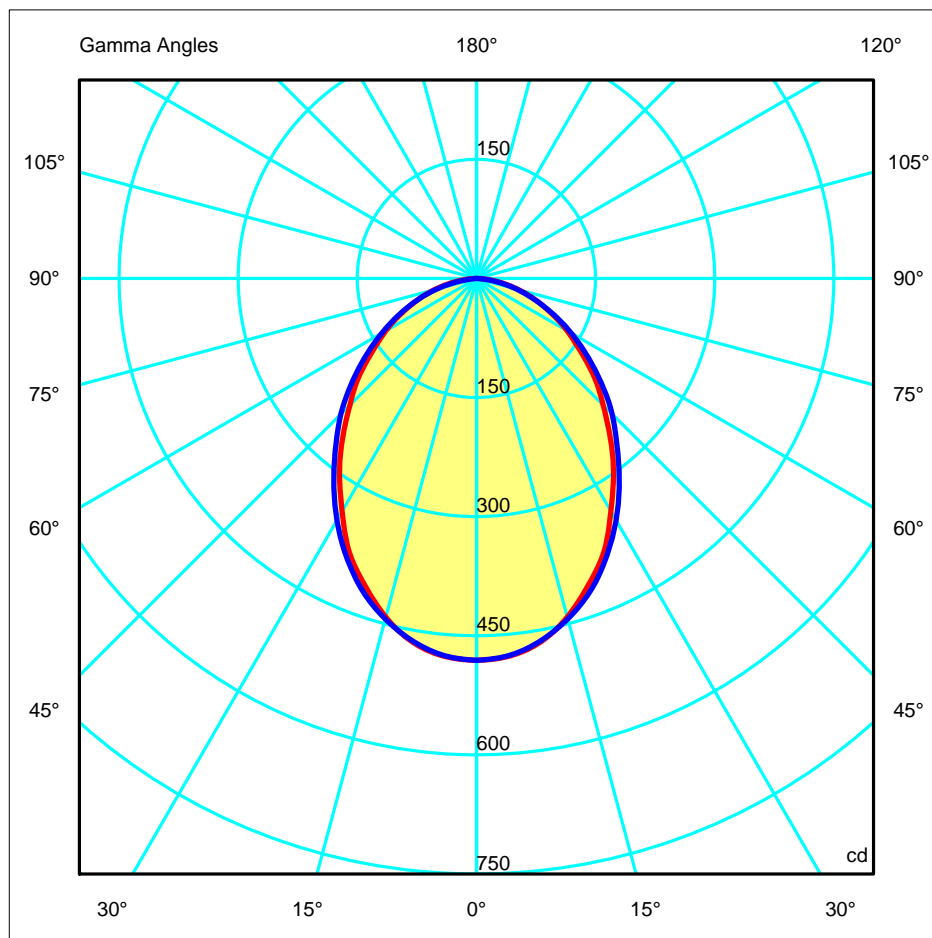
600mm x 800mm



C Halfplanes

- 180.0 — 0.0
- 270.0 — 90.0

ULOR 0.00 %
DLOR 100.00 %
RN 0.00 %

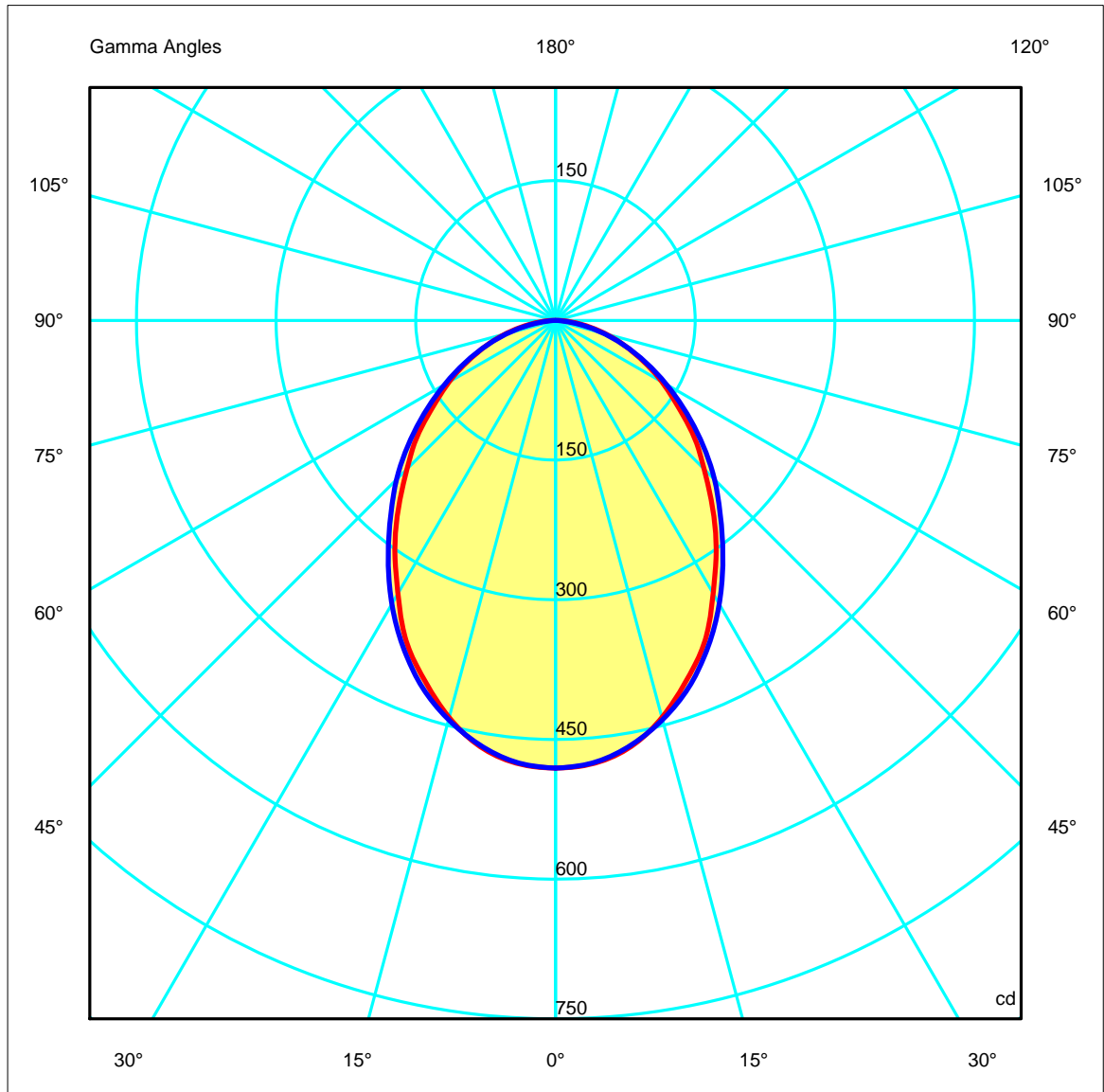
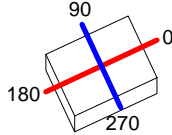


Luminaire		Measur.		Lamp	
Code	75-4858-K3-F1	Code	75-4858-K3-F1	Code	75-4838-K3-F1
Name	Espejo REFLEX 38W leds	Name	Espejo REFLEX 38W leds	Number	1
Line	Eulumat	Date	08-06-2015	Position	
Efficiency	100.00%	Coordinate system	CG	Total Flux	1032.90 lm

600mm x 800mm

C Halfplanes

180.0 ——— 0.0
 270.0 ——— 90.0



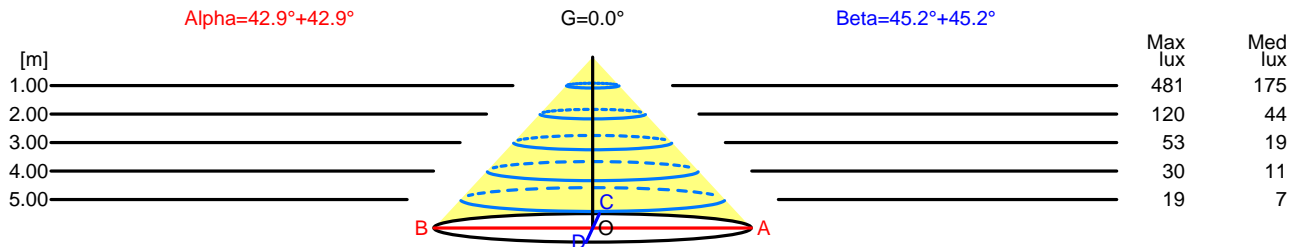
Luminaire		Measur.		Lamp	
Code	75-4858-K3-F1	Code	75-4858-K3-F1	Code	75-4838-K3-F1
Name	Espejo REFLEX 38W leds	Name	Espejo REFLEX 38W leds	Number	1
Line	Eulumdat	Date	08-06-2015	Position	

Efficiency	100.00%	Coordinate system	CG	Total Flux	1032.90 lm
------------	---------	-------------------	----	------------	------------

Width at 50.00 % of Max Intensity

H[m]	1.00	2.00	3.00	4.00	5.00	H[m]	1.00	2.00	3.00	4.00	5.00
OA	0.93	1.86	2.79	3.71	4.64	OC	1.01	2.01	3.02	4.02	5.03
OB	0.93	1.86	2.79	3.71	4.64	OD	1.01	2.01	3.02	4.02	5.03

	Luminous Intensities [cd]									
	0	5	15	25	35	45	55	65	75	85
OA	480.76	477.46	441.64	379.61	300.82	225.53	159.93	104.34	55.91	16.22
OB	480.76	477.46	441.64	379.61	300.82	225.53	159.93	104.34	55.91	16.22
OC	480.76	476.51	443.90	386.97	313.63	241.51	170.39	107.28	53.17	10.01
OD	480.76	476.51	443.90	386.97	313.63	241.51	170.39	107.28	53.17	10.01



H[m]	D[m]	Max lux	Med lux	Alpha=42.9°+42.9°	G=0.0	
1.00	1.86	481	175			
2.00	3.71	120	44			
3.00	5.57	53	19			
4.00	7.43	30	11			
5.00	9.29	19	7			

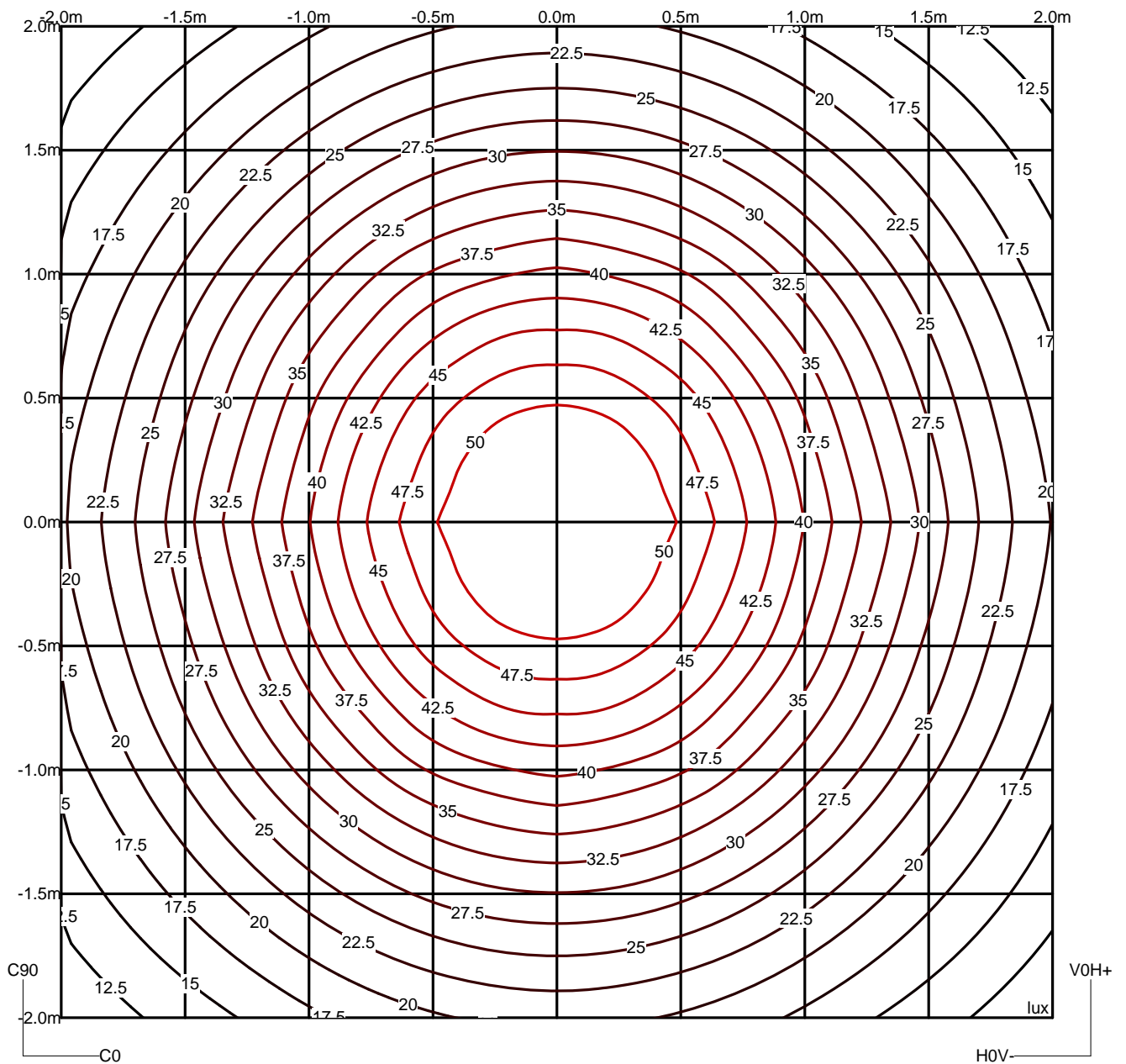
H[m]	D[m]	Max lux	Med lux	Beta=45.2°+45.2°	G=0.0	
1.00	2.01	481	175			
2.00	4.02	120	44			
3.00	6.03	53	19			
4.00	8.05	30	11			
5.00	10.06	19	7			

Luminaire	Measur.	Lamp
Code 75-4858-K3-F1	Code 75-4858-K3-F1	Code 75-4838-K3-F1
Name Espejo REFLEX 38W leds	Name Espejo REFLEX 38W leds	Number 1
Line Eulmdat	Date 08-06-2015	Position

Efficiency 100.00%	Coordinate system CG	Total Flux 1032.90 lm
--------------------	----------------------	-----------------------

Isolux (Floor)

Luminaire position X=0.00m Y=0.00m Z=3.00m



Luminaire

Code 75-4858-K3-F1
 Name Espejo REFLEX 38W leds
 Line Eulumdat

Measur.

Code 75-4858-K3-F1
 Name Espejo REFLEX 38W leds
 Date 08-06-2015

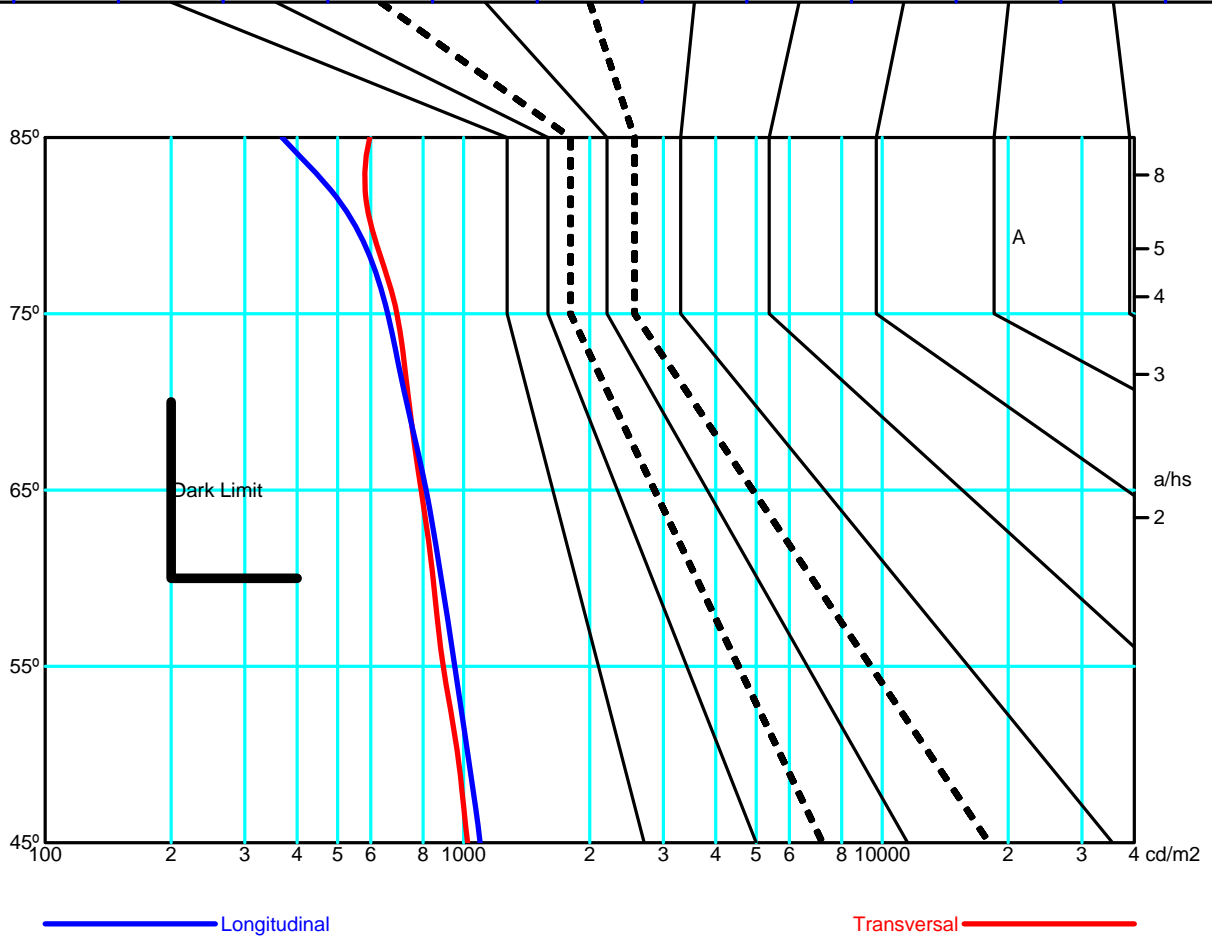
Lamp

Code 75-4838-K3-F1
 Number 1
 Position

Efficiency 100.00% Coordinate system CG Total Flux 1032.90 lm

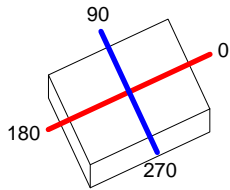
		Average Luminance [cd/m ²]										
		0.0°	45°	50°	55°	60°	65°	70°	75°	80°	85°	
0.0°		1022	967	894	845	791	740	692	601	596	---	
90.0°		1095	1024	952	884	814	730	658	551	368	---	

Flush mounted or longitudinal view												
		Illumination(lx)										
A	A	2000	1000	750	500		<300					1.15
B	1		2000	1500	1000	750	500	<300				1.5
C					2000		1000	500	<300			1.85
D	2						2000	1000	500	<300		2.2
E	3							2000	1000	500	<300	2.55



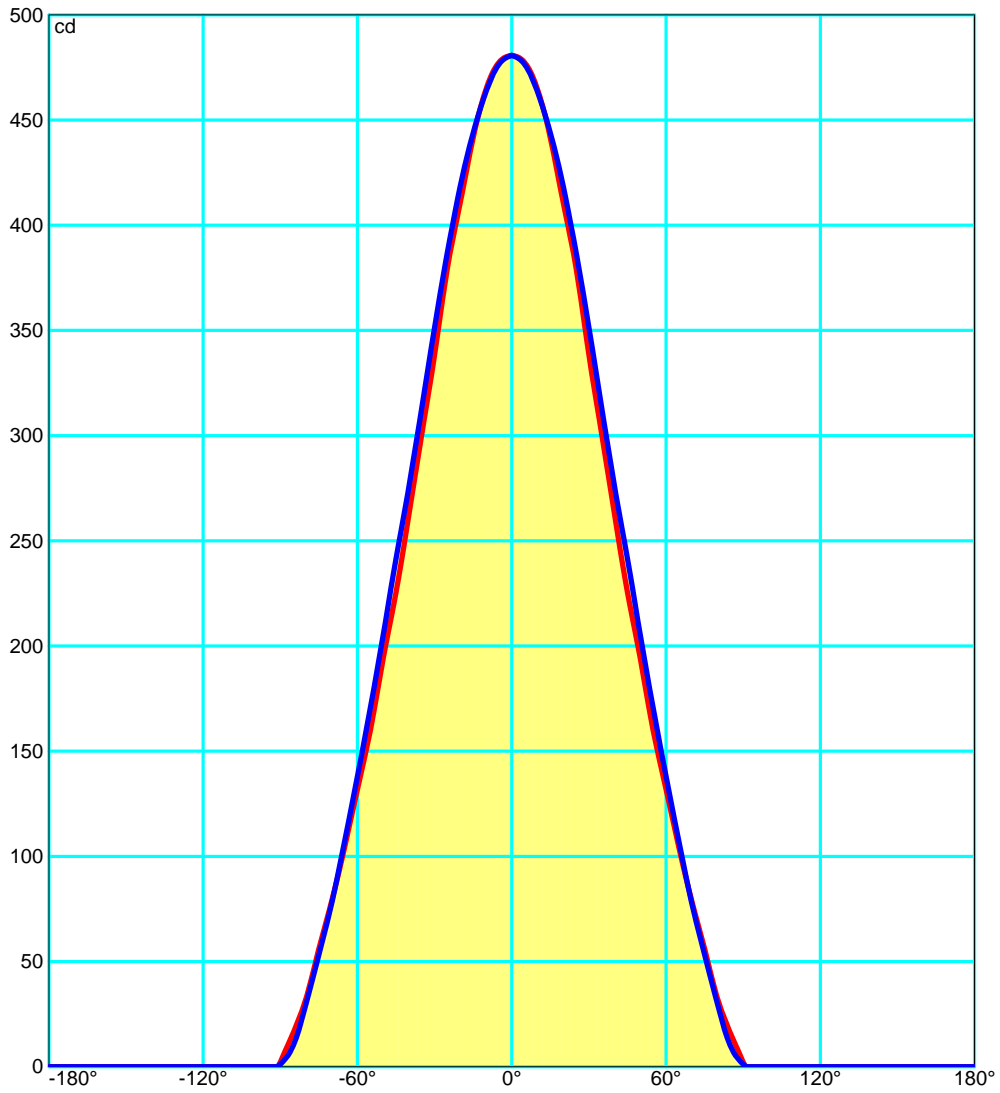
Luminaire		Measur.		Lamp	
Code	75-4858-K3-F1	Code	75-4858-K3-F1	Code	75-4838-K3-F1
Name	Espejo REFLEX 38W leds	Name	Espejo REFLEX 38W leds	Number	1
Line	Eulumdat	Date	08-06-2015	Position	
Efficiency	100.00%	Coordinate system	CG	Total Flux	1032.90 lm

600mm x 800mm



C Halfplanes

180.0 ——— 0.0
 270.0 ——— 90.0



Luminaire		Measur.		Lamp	
Code	75-4858-K3-F1	Code	75-4858-K3-F1	Code	75-4838-K3-F1
Name	Espejo REFLEX 38W leds	Name	Espejo REFLEX 38W leds	Number	1
Line	Eulumdat	Date	08-06-2015	Position	
Efficiency	100.00%	Coordinate system	CG	Total Flux	1032.90 lm

UGR
S = 0.250

Reflectancies										
Ceiling/Cavity	0.7	0.7	0.5	0.5	0.3	0.7	0.7	0.5	0.5	0.3
Walls	0.5	0.3	0.5	0.3	0.3	0.5	0.3	0.5	0.3	0.3
WorkingPlane	0.2	0.2	0.2	0.2	0.2	0.2	0.2	0.2	0.2	0.2
RoomDimensions	ViewedCrosswise					ViewedEndwise				
x=2H y=2H	11.5	12.8	11.8	13.0	13.7	12.0	13.2	12.3	13.4	13.7
x=2H y=3H	12.9	14.0	13.2	14.3	15.0	13.3	14.5	13.6	14.7	15.0
x=2H y=4H	13.5	14.5	13.8	14.8	15.5	13.9	14.9	14.2	15.2	15.5
x=2H y=6H	13.9	14.9	14.3	15.2	15.8	14.2	15.2	14.6	15.5	15.8
x=2H y=8H	14.1	15.0	14.4	15.3	15.9	14.3	15.2	14.7	15.6	15.9
x=2H y=12H	14.2	15.1	14.6	15.4	15.9	14.3	15.2	14.7	15.6	15.9
x=4H y=2H	12.3	13.3	12.6	13.6	14.2	12.6	13.6	12.9	13.9	14.2
x=4H y=3H	13.8	14.7	14.2	15.0	15.7	14.2	15.1	14.5	15.4	15.7
x=4H y=4H	14.5	15.3	14.9	15.6	16.3	14.8	15.6	15.2	15.9	16.3
x=4H y=6H	15.0	15.7	15.5	16.1	16.7	15.3	16.0	15.7	16.3	16.7
x=4H y=8H	15.2	15.8	15.6	16.2	16.8	15.4	16.0	15.8	16.4	16.8
x=4H y=12H	15.4	15.9	15.8	16.3	16.9	15.5	16.0	15.9	16.4	16.9
x=8H y=4H	14.8	15.5	15.3	15.9	16.5	15.1	15.7	15.5	16.1	16.5
x=8H y=6H	15.5	16.0	15.9	16.4	17.1	15.7	16.2	16.1	16.6	17.1
x=8H y=8H	15.7	16.2	16.2	16.6	17.2	15.9	16.3	16.3	16.8	17.2
x=8H y=12H	15.9	16.3	16.4	16.7	17.3	16.0	16.4	16.5	16.8	17.3
x=12H y=4H	14.9	15.4	15.3	15.8	16.5	15.1	15.7	15.6	16.1	16.5
x=12H y=6H	15.5	16.0	16.0	16.4	17.1	15.7	16.2	16.2	16.6	17.1
x=12H y=8H	15.8	16.2	16.3	16.6	17.3	15.9	16.3	16.4	16.8	17.3

Luminaire

Code 75-4858-K3-F1
 Name Espejo REFLEX 38W leds
 Line Eulumdat

Measur.

Code 75-4858-K3-F1
 Name Espejo REFLEX 38W leds
 Date 08-06-2015

Lamp

Code 75-4838-K3-F1
 Number 1
 Position

Efficiency 100.00% Coordinate system CG Total Flux 1032.90 lm

Total Flux=1032.90 Luminaire Flux=1032.89

RI	0.60	0.80	1.00	1.25	1.50	2.00	2.50	3.00	4.00	5.00	10.00	20.00
DRR	0.36	0.44	0.51	0.58	0.64	0.72	0.77	0.81	0.85	0.88	0.94	0.97
RC	4	4	4	4	4	4	4	4	4	4	4	3

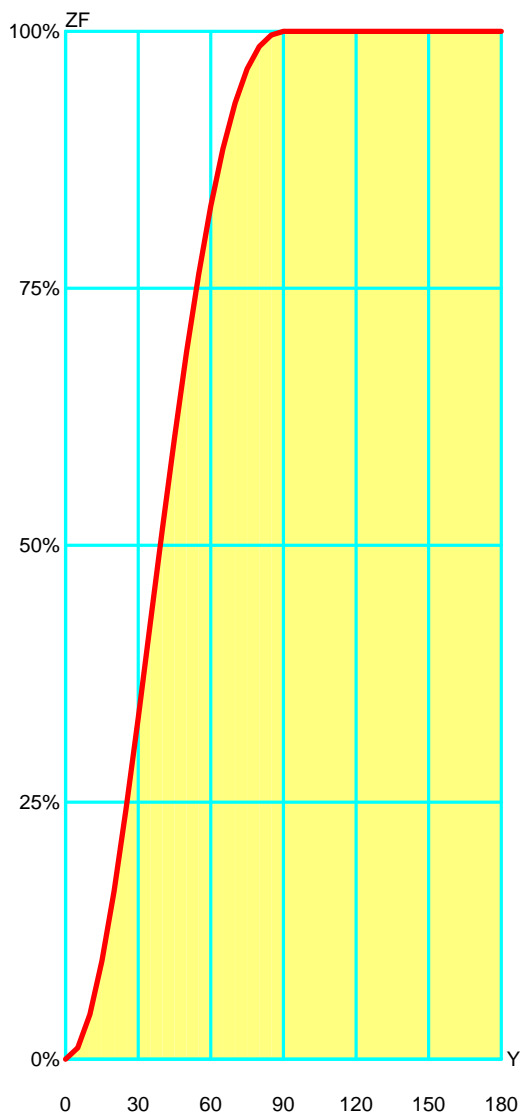
Zonal Flux per 1000 Lumen

Y°	10	20	30	40	50	60	70	80	90	100	110	120	130	140	150	160	170	180
ZF(Y)	44	163	332	516	688	830	930	985	1000	1000	1000	1000	1000	1000	1000	1000	1000	1000

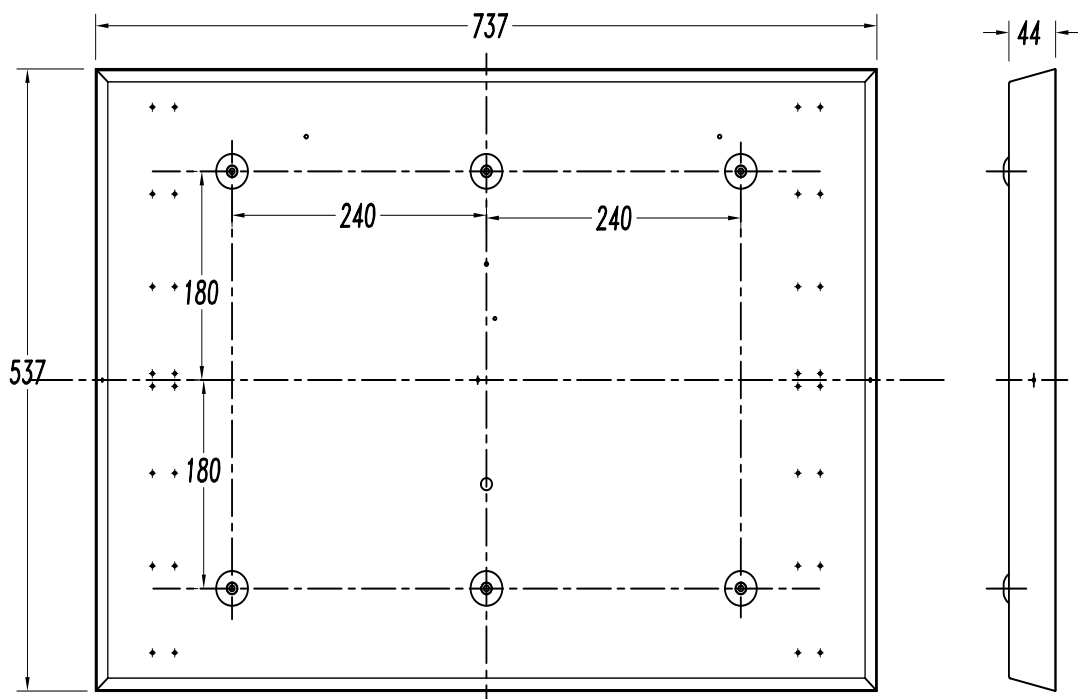
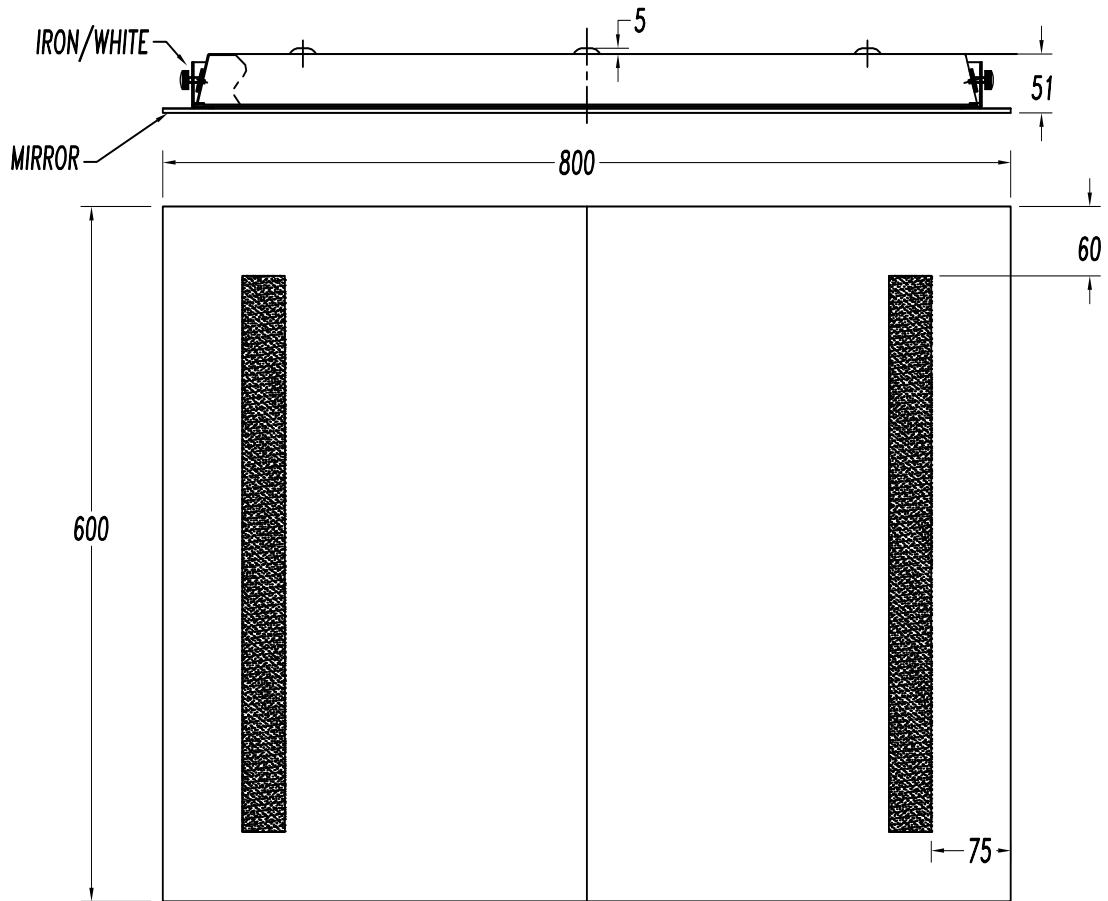
CIE Flux Codes

54 83 97 100 100

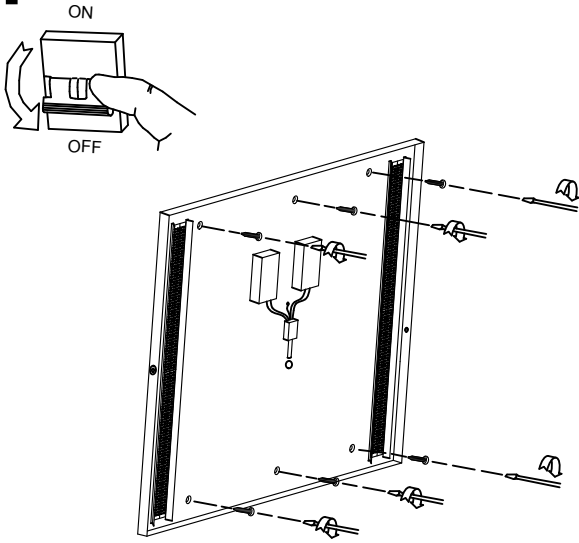
C.I.E.	4/4/4/4/4/4/4/4/4/3	LOR	99.99942 %
D DIN 5040	A40	ULOR	0.00000 %
F UTE	1.00 D	DLOR	99.99942 %
B NBN	BZ 3 / 0.6 / BZ 4	UFF	0.00000 %
RN	0.00000 %	DFF	100.00000 %
BLF	1.0	FFR	0.00000 %



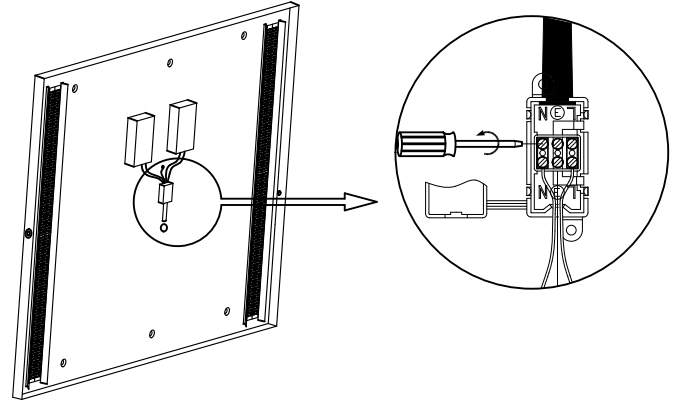
Zonal Flux				
Gamma °	Flux	Sum lm	Flux [%]	Sum [%]
0°	0.00	0.00	0.00%	0.00 %
5°	11.07	11.07	1.11 %	1.11 %
10°	32.49	43.57	3.25 %	4.36 %
15°	51.86	95.43	5.19 %	9.54 %
20°	67.99	163.42	6.80 %	16.34 %
25°	80.23	243.64	8.02 %	24.36 %
30°	88.29	331.93	8.83 %	33.19 %
35°	91.94	423.87	9.19 %	42.39 %
40°	92.13	516.00	9.21 %	51.60 %
45°	88.96	604.96	8.90 %	60.50 %
50°	83.27	688.23	8.33 %	68.82 %
55°	75.65	763.88	7.56 %	76.39 %
60°	66.07	829.95	6.61 %	83.00 %
65°	55.74	885.69	5.57 %	88.57 %
70°	44.51	930.20	4.45 %	93.02 %
75°	33.16	963.36	3.32 %	96.34 %
80°	21.84	985.20	2.18 %	98.52 %
85°	11.12	996.32	1.11 %	99.63 %
90°	3.67	999.99	0.37 %	100.00 %
95°	0.00	999.99	0.00 %	100.00 %
100°	0.00	999.99	0.00 %	100.00 %
105°	0.00	999.99	0.00 %	100.00 %
110°	0.00	999.99	0.00 %	100.00 %
115°	0.00	999.99	0.00 %	100.00 %
120°	0.00	999.99	0.00 %	100.00 %
125°	0.00	999.99	0.00 %	100.00 %
130°	0.00	999.99	0.00 %	100.00 %
135°	0.00	999.99	0.00 %	100.00 %
140°	0.00	999.99	0.00 %	100.00 %
145°	0.00	999.99	0.00 %	100.00 %
150°	0.00	999.99	0.00 %	100.00 %
155°	0.00	999.99	0.00 %	100.00 %
160°	0.00	999.99	0.00 %	100.00 %
165°	0.00	999.99	0.00 %	100.00 %
170°	0.00	999.99	0.00 %	100.00 %
175°	0.00	999.99	0.00 %	100.00 %
180°	0.00	999.99	0.00 %	100.00 %



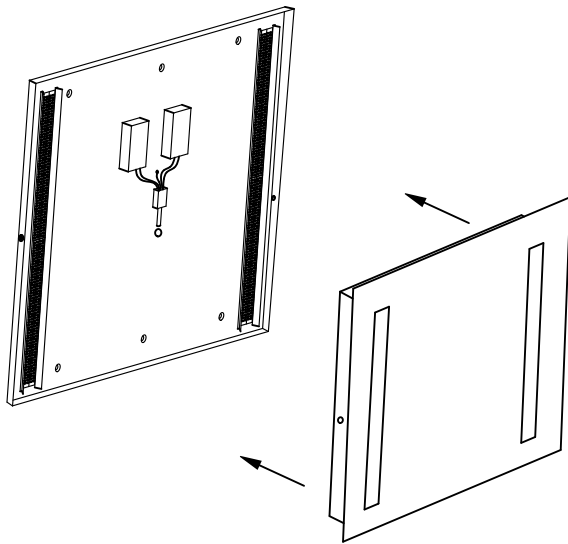
1



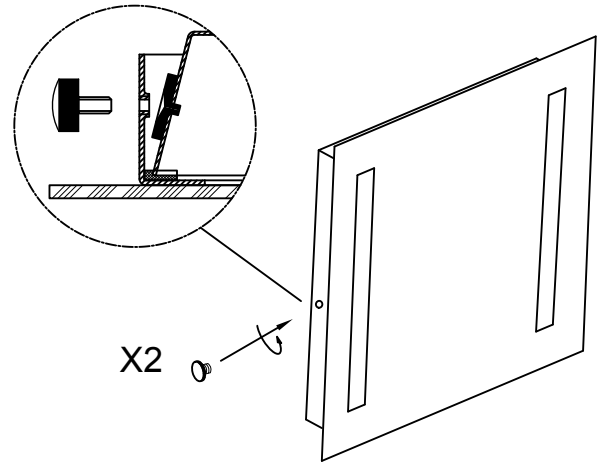
2



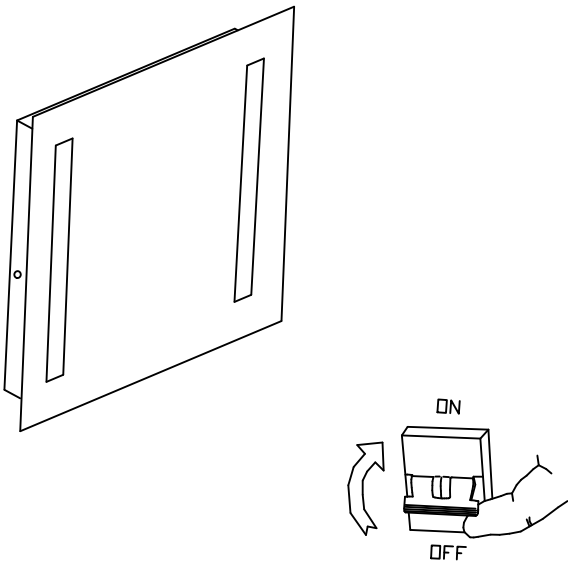
3



4



5



6

