

## 71-E032-DC-DC

V0

### Lift 230\*230 Bollard

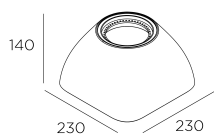
Designer: Francesc Vilaró



#### Description

LIFT cement structure 140 mm in height

	Finish	Material
<b>Structure</b>	Cement	Concrete



#### TECHNICAL CHARACTERISTICS

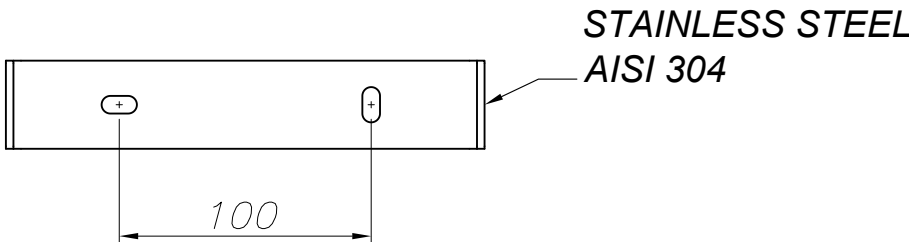
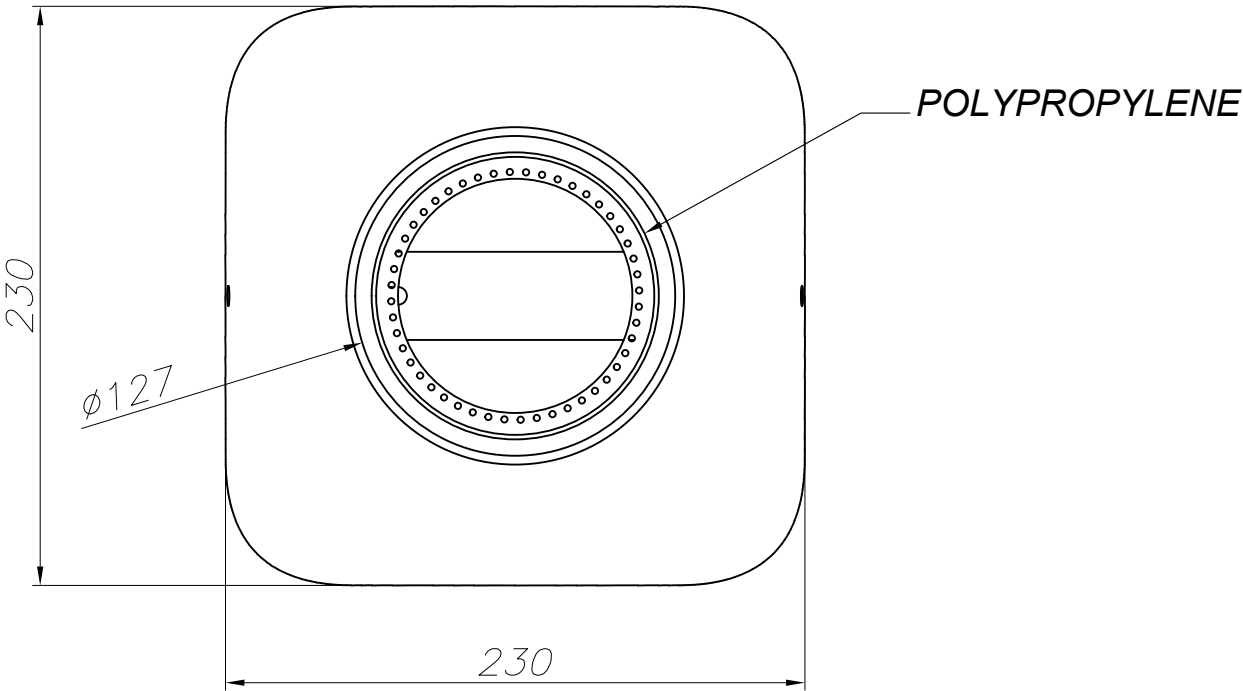
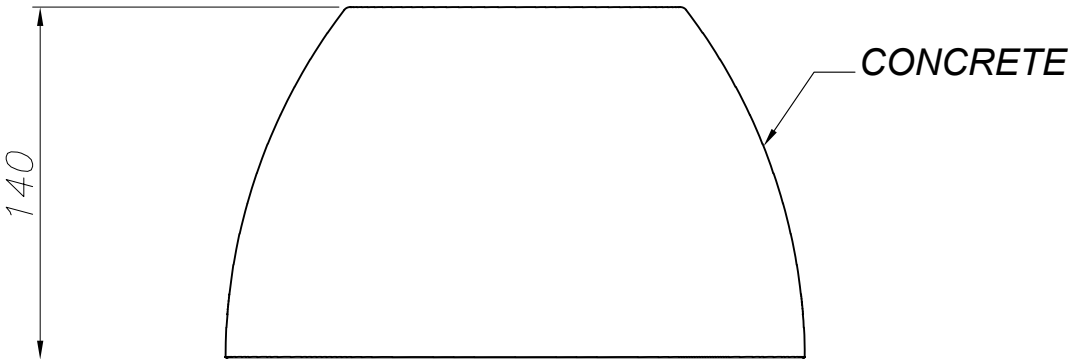
##### Luminaire

Double cable exit: No  
 Drainage: No  
 Seaside: Yes  
 Uv Protection: Yes  
 Warranty: 2 Years

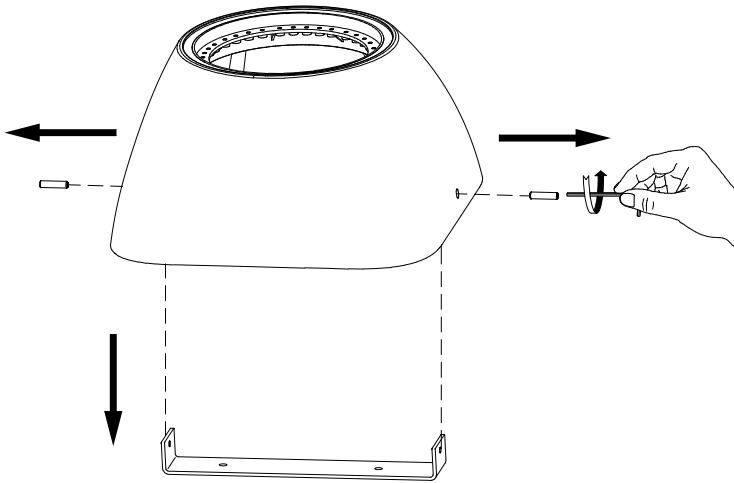
##### Logistics

EAN Code: 8435526867189  
 Net Weight (Kg): 6.22  
 Weight in Kg (packaged): 6.62  
 Masterbox: 1

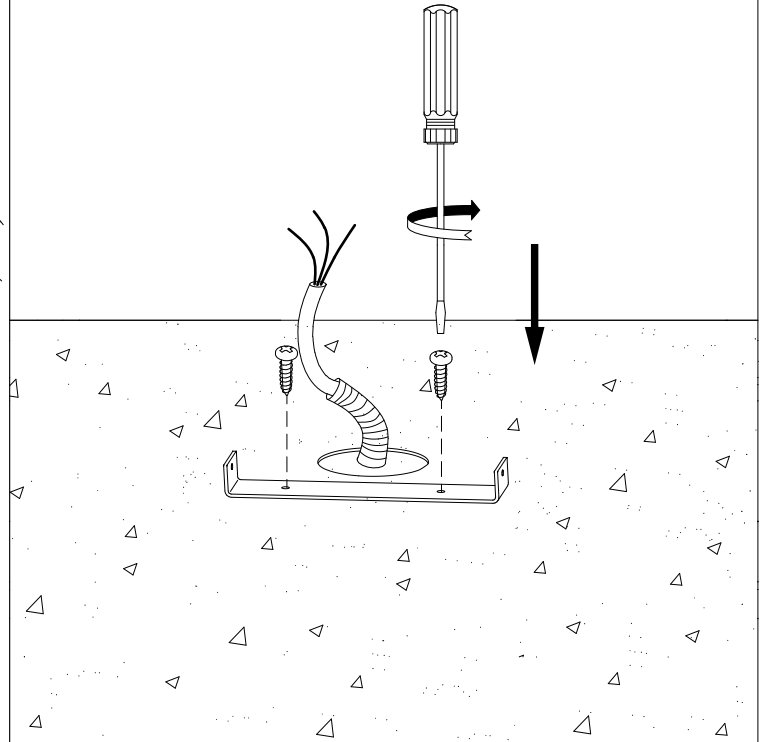
The photograph may not match the reference exactly. Please read the product description to identify the finish.



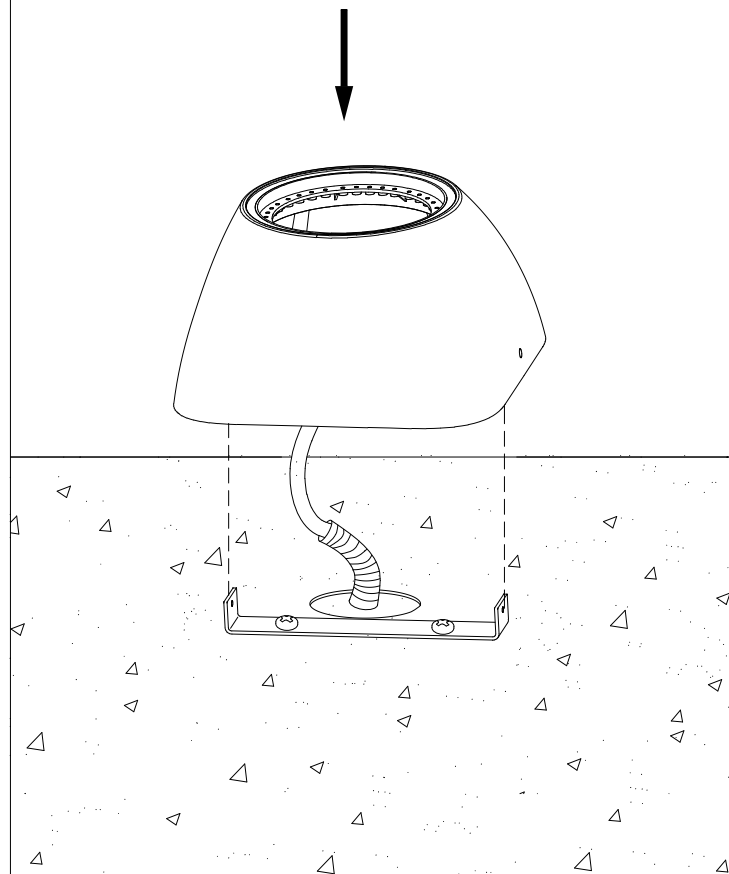
1



2



3



4

