

## 71-9995-DC-DC

V0

### Lift 300\*300 Bollard

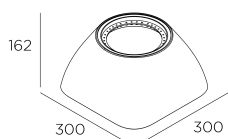
Designer: Francesc Vilaró



#### Description

LIFT cement structure 162 mm in height

	Finish	Material
Structure	Cement	Concrete



#### TECHNICAL CHARACTERISTICS

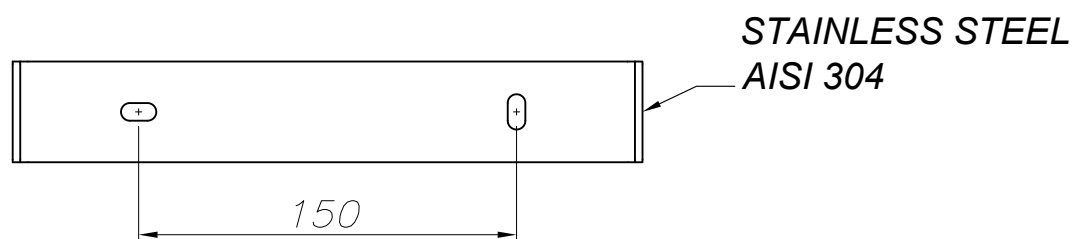
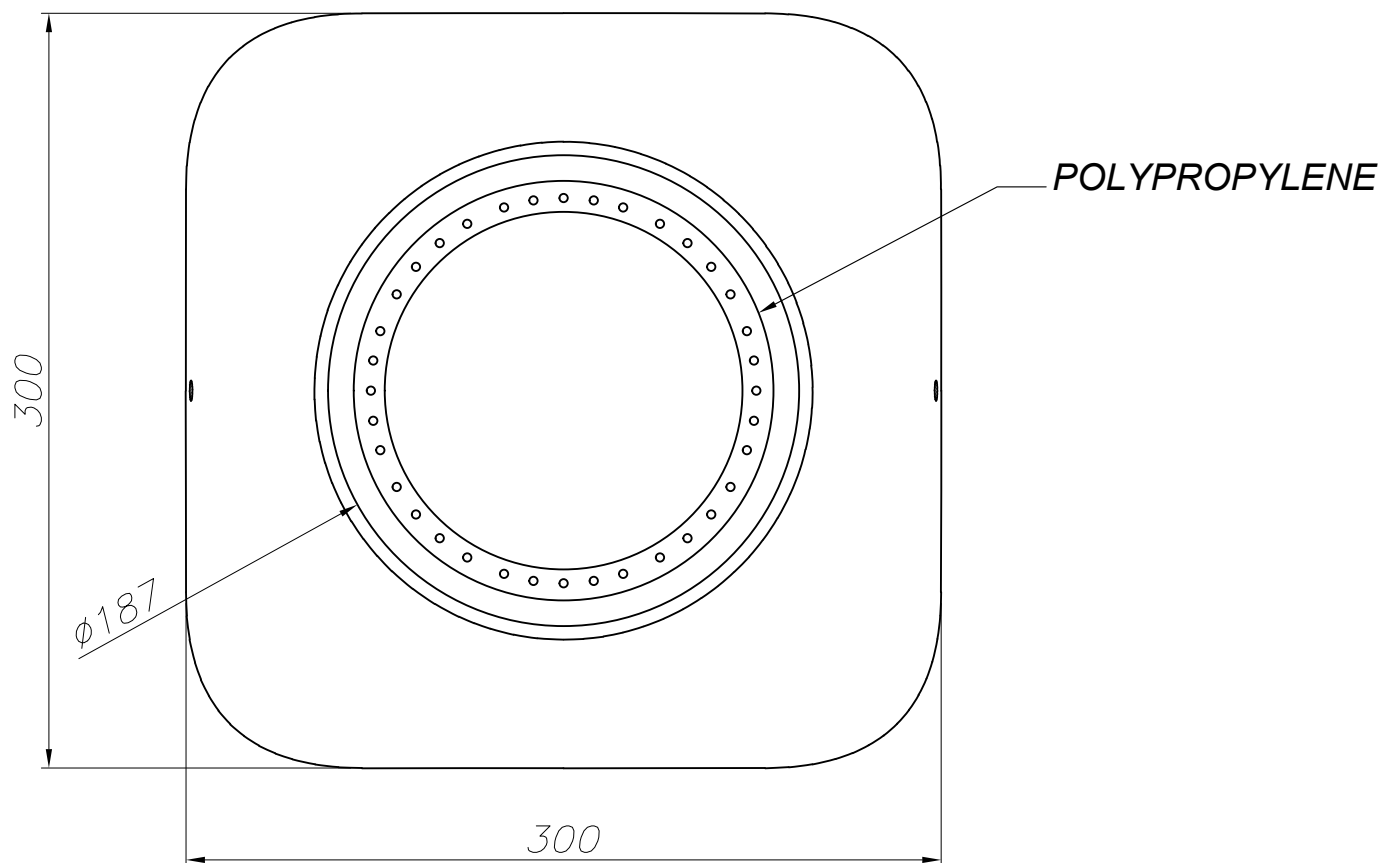
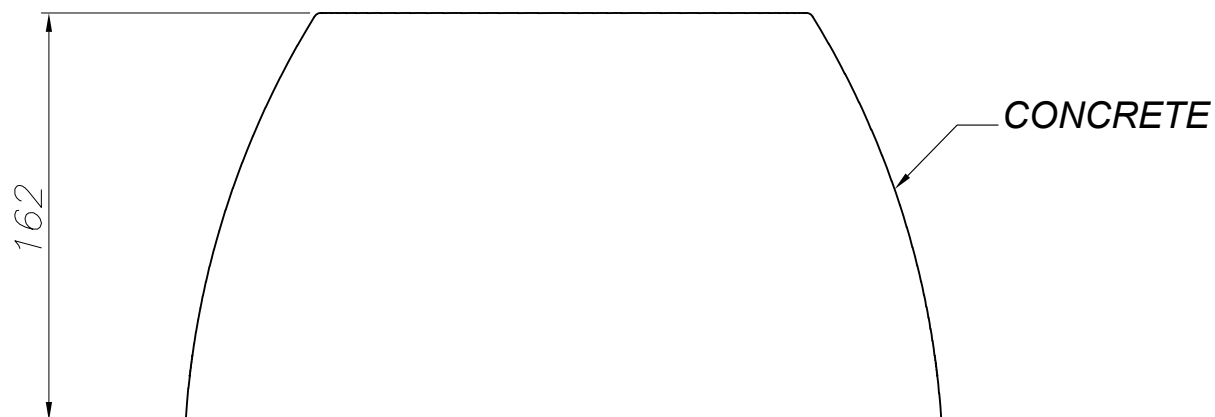
##### Luminaire

Double cable exit: No  
 Drainage: No  
 Seaside: Yes  
 Uv Protection: Yes  
 Warranty: 2 Years

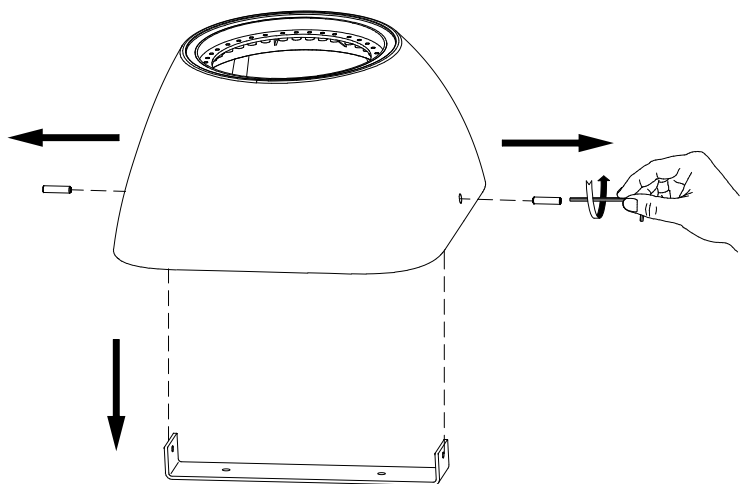
##### Logistics

EAN Code: 8435381496753  
 Net Weight (Kg): 12  
 Weight in Kg (packaged): 12.68  
 Packing: 310 x 310 x 170  
 Masterbox: 1

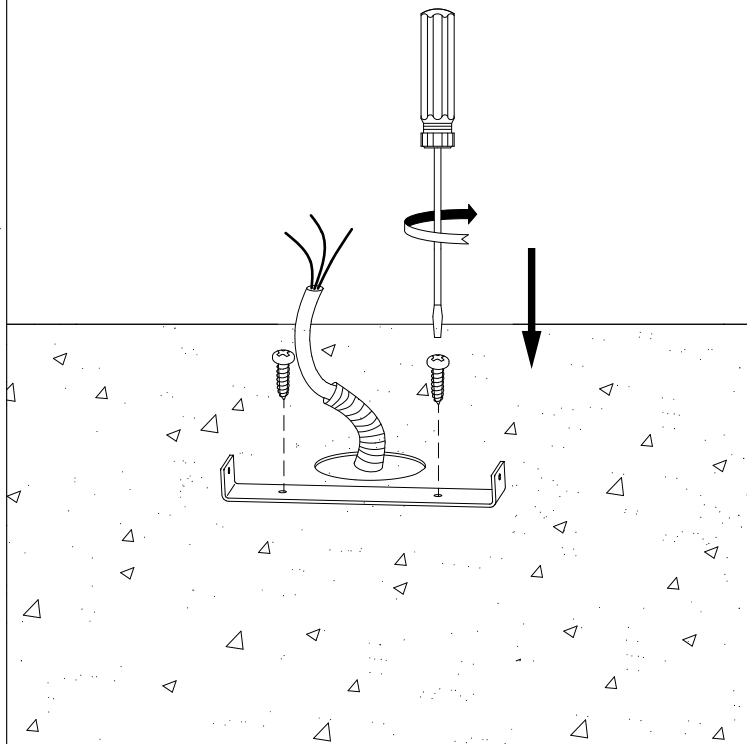
The photograph may not match the reference exactly. Please read the product description to identify the finish.



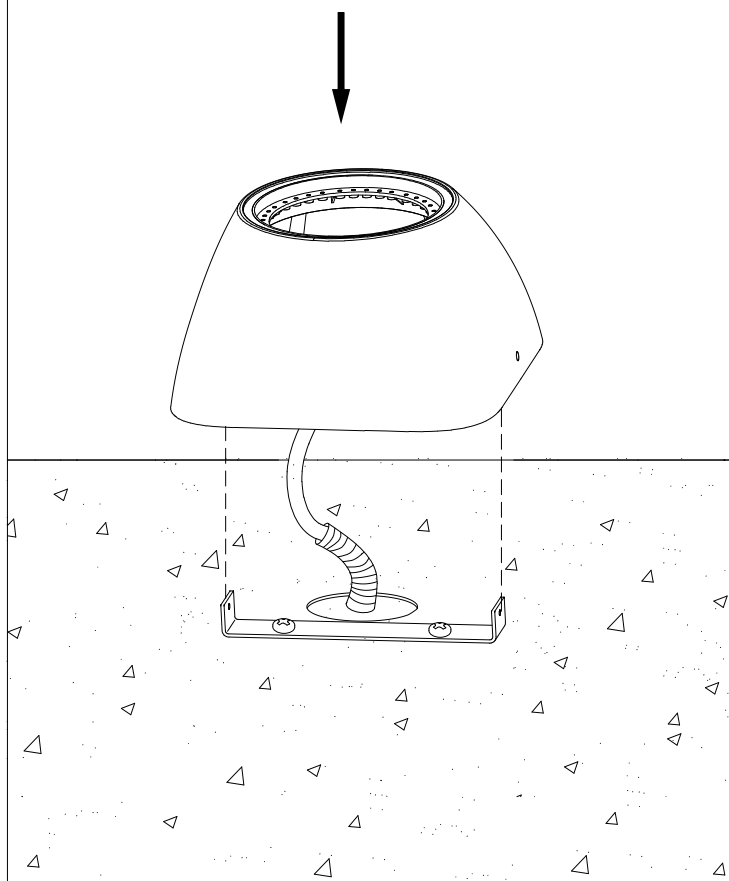
1



2



3



4

