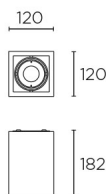


71-5860-14-00

V0




## Multidir Evo S Single Surface Structure

### Description

Structure Multidir Evo S Single Surface White

	Finish	Material
Structure	White	Steel Aluminium

IP20 ~~±~~ ±40°  12

### TECHNICAL CHARACTERISTICS

#### Luminaire

Warranty: 5 Years

#### Logistics

EAN Code: 8435381457969  
Net Weight (Kg): 1.48  
Weight in Kg (packaged): 1.6  
Packing: 130 x 130 x 190  
Masterbox: 12

The photograph may not match the reference exactly. Please read the product description to identify the finish.

## OPTIONAL ACCESSORIES

---



### 71-3212-00-00

GU5.3 electronic kit

Structure material:  
Dimensions: NA x NA x NA  
Net Weight (Kg): 0.03



### 71-2954-00-00

Electronic kit with GU10 lampholder. For installation, the light must be completed with one of the different bodies available.

Structure material:  
Dimensions: NA x NA x NA  
Net Weight (Kg): 0.05



### 71-4032-14-M2

Structure material: Aluminium  
Dimensions: 50 x 56 x NA  
Net Weight (Kg): 0.12



### 71-4033-14-M2

Structure material: Aluminium  
Dimensions: 50 x 56 x NA  
Net Weight (Kg): 0.12



### 71-3885-14-M2

Structure material: Aluminium  
Dimensions: 50 x 56 x NA  
Net Weight (Kg): 0.07



### 71-3886-14-M2

Structure material: Aluminium  
Dimensions: 50 x 56 x NA  
Net Weight (Kg): 0.07



### 71-5156-14-M2

Structure material: Aluminium  
Dimensions: 50 x 80 x NA  
Net Weight (Kg): 0.19



### 71-5157-14-M2

Structure material: Aluminium  
Dimensions: 50 x 80 x NA  
Net Weight (Kg): 0.19



### 71-5086-14-M2

Structure material: Aluminium  
Dimensions: 50 x 80 x NA  
Net Weight (Kg): 0.1

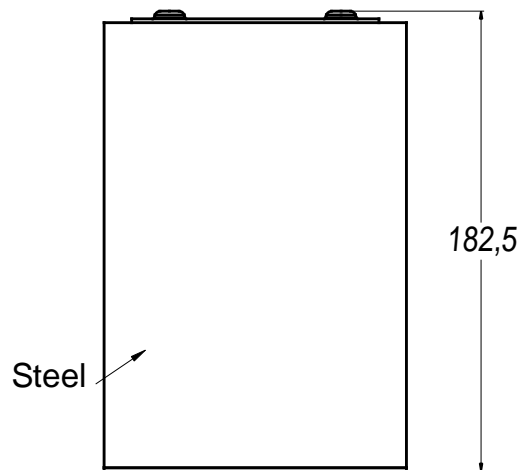
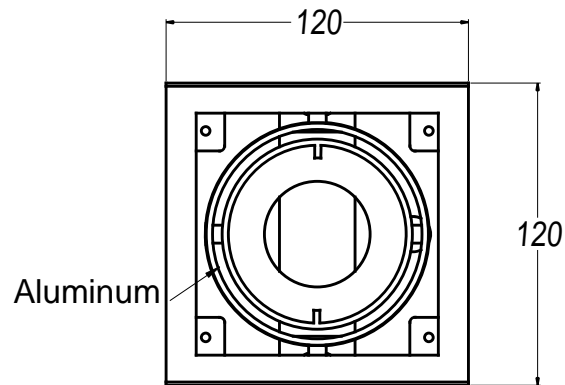
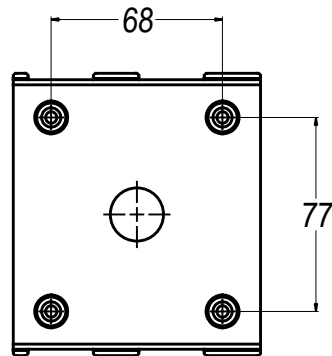


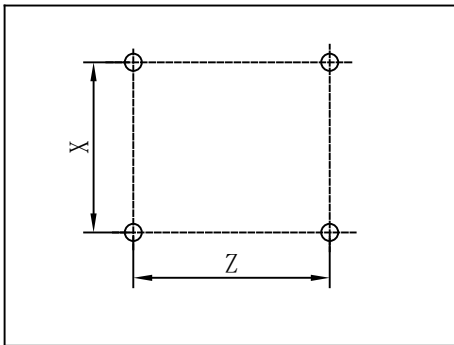
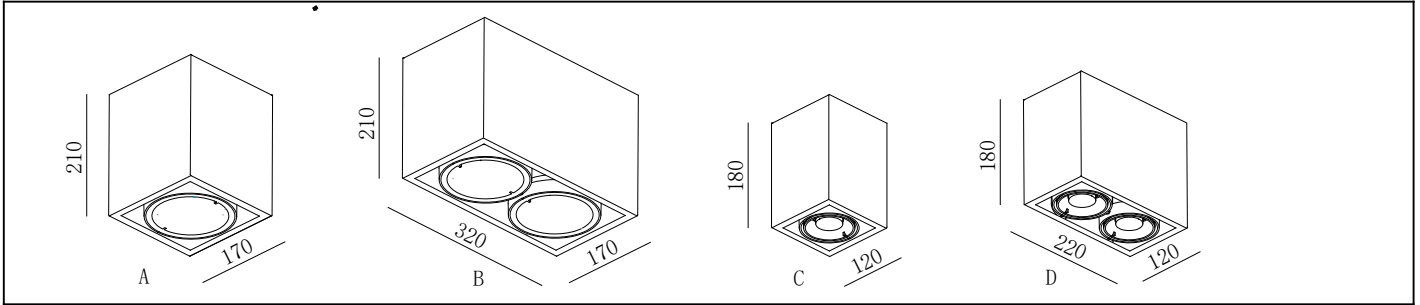
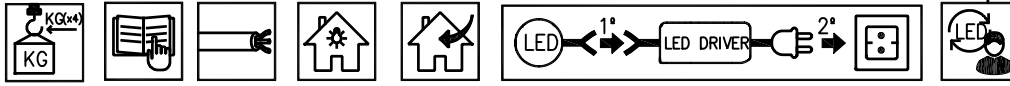
**71-5087-14-M2**

Structure material: Aluminium

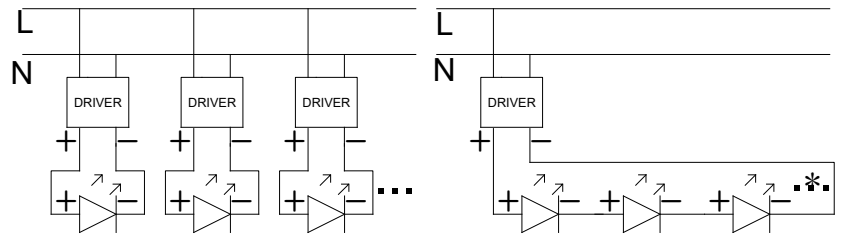
Dimensions: 50 x 80 x NA

Net Weight (Kg): 0.1





	7W	13W	18W	25W	30W	40W
Vout	9	36	34.9	35.8	36.1	37
Iout max.	0.7	0.35	0.5	0.7	0.8	1.05



\* The number of modules that can be connected in series depends on the available output voltage of the LED driver.

	A	B	C	D
X	127mm	217mm	77mm	128mm
Z	117mm	127mm	68mm	77mm

