

**71-3886-14-M2**

V0

## In 56mm 7W Module



### Description

Module In 56mm 7W 7W 3000K CRI 80 White IP20 570lm

	Finish	Material
<b>Structure</b>	White	Aluminium
<b>Diffuser</b>	Transparent	Polycarbonate



56

Ø50



### TECHNICAL CHARACTERISTICS

#### Light source

Light source: LED CREE  
 Light source power (W): 7W  
 Luminaire total power (W): 7W  
 Color temperature: LED warm-white  
 3000K  
 CRI: 80  
 Photobiological risk: RG1  
 Real Lumen: 570  
 Qty Leds: 1  
 Lm/Real W: 81  
 Life Time: 50.000h L80B20  
 Bin / Grup: 30H  
 MacAdam steps: 2  
 UGR: 13.4

#### GEAR

This item requires gear. It is not included.  
 Voltage / Frequency: 9V/Max. 700mA

#### Luminaire

Warranty: 5 Years

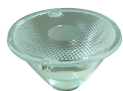
#### Logistics

Energy Efficiency: LED A++  
 EAN Code: 8435381434717  
 Net Weight (Kg): 0.07  
 Weight in Kg (packaged): 0.11  
 Packing: 70 x 70 x 80  
 Masterbox: 50

The photograph may not match the reference exactly. Please read the product description to identify the finish.

## OPTIONAL ACCESSORIES

---



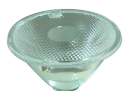
**71-3887-00-00**

24° reflector

Structure material: Methacrylate

Dimensions: NA x NA x NA

Net Weight (Kg): 0.02



**71-3888-00-00**

60° reflector

Structure material: Methacrylate

Dimensions: NA x NA x NA

Net Weight (Kg): 0.02

**Luminaire**

Code 71-3886-14-M2 24°  
 Name Downlight IN 7W 24° 3000K DIM

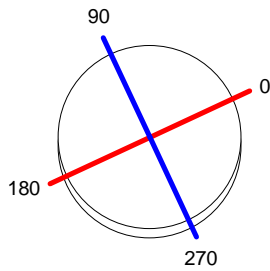
**Measur.**

Code 71-4033-14-M2 24°  
 Name Downlight IN led 7W 24° 3000K

Luminaire Flux	569.87 lm	Luminaire Power	8.00 W	Efficacy	71.23 lm/W	Efficiency	100.00%
Lamps Flux	569.88 lm	Maximum value	4888.67 cd	Position	C=0.00 G=0.00	CG	Double Symmetrical
Round Luminaire Round Luminous Area		Diam. Diam.	50 mm 40 mm	Height Height	56 mm 0 mm		
Horizontal Luminous Area Emitting area on Plane 0° Emitting area on Plane 90°		0.001257 m2 0.000000 m2 0.000000 m2		Emitting area on Plane 180° Emitting area on Plane 270° Glare area at 76°		0.000000 m2 0.000000 m2 0.000304 m2	
Coordinate system Date Measurement Distance		CG 20-04-2016 0.51		Symmetry Type Maximum Gamma Angle Measurement Flux		Double Symmetrical 90 569.88 lm	
Operator Temperature Humidity Notes		Asselum T3 24.00 °C 33.00 %		Source voltage Source current Photocell		230.00 V Czibula Grundmann	

Line		Code		Luminaire Lamps		Flux [lm]	Pow. [W]	Q.ty
- LEDS C4 LEDS		71-4033-14-M2 24°		Name Lámpara leds 7W 24° 3000K		569.88	8.00	1
C.I.E.	95 98 99 100 100			D DIN 5040		A60		
F UTE	1.00 A			B NBN		BZ 1		

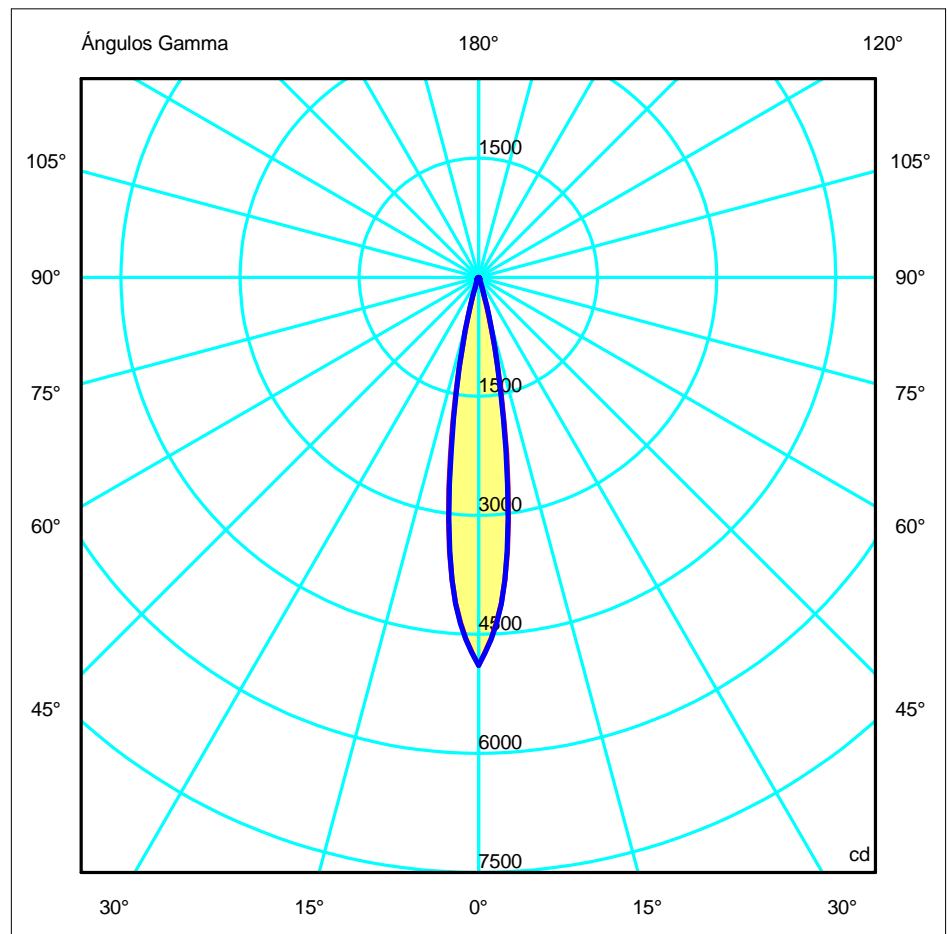
Diam=50mm



Semiplanos C

180.0 — 0.0  
 270.0 — 90.0

ULOR 0.00 %  
 DLOR 100.00 %  
 RN 0.00 %



**Luminaire**

Code 71-3886-14-M2 24°  
Name Downlight IN 7W 24° 3000K DIM

**Measur.**

Code 71-4033-14-M2 24°  
Name Downlight IN led 7W 24° 3000K

Luminaire Flux	569.87 lm	Luminaire Power	8.00 W	Efficacy	71.23 lm/W	Efficiency	100.00%
Lamps Flux	569.88 lm	Maximum value	4888.67 cd	Position	C=0.00 G=0.00	CG	Double Symmetrical

**Luminous Intensity Table cd Table 1/1**

	C 0.00	C 15.00	C 30.00	C 45.00	C 60.00	C 75.00	C 90.00
G 0.0	4888.67	4888.67	4888.67	4888.67	4888.67	4888.67	4888.67
G 5.0	3826.01	3817.14	3945.33	3806.06	3791.60	3835.00	3827.21
G 10.0	1876.57	1821.48	1826.08	1835.67	1804.91	1820.78	1796.12
G 15.0	487.90	495.09	485.39	504.40	499.41	509.70	515.49
G 20.0	92.44	92.95	94.85	101.39	98.85	97.93	95.84
G 25.0	40.90	41.52	43.32	45.63	46.27	46.39	46.87
G 30.0	37.22	36.79	37.16	38.80	40.49	41.72	42.70
G 35.0	33.36	33.94	33.84	34.67	36.54	39.27	41.24
G 40.0	24.10	23.69	23.23	24.34	25.81	26.94	27.21
G 45.0	15.34	14.90	14.01	14.20	14.50	15.13	15.37
G 50.0	10.34	10.09	9.23	8.93	9.08	9.49	10.27
G 55.0	8.22	8.05	7.55	7.19	7.22	7.31	7.26
G 60.0	6.80	6.68	6.44	6.25	6.25	6.23	6.22
G 65.0	5.57	5.53	5.43	5.38	5.33	5.33	5.33
G 70.0	4.31	4.30	4.31	4.29	4.26	4.26	4.25
G 75.0	3.28	3.25	3.21	3.22	3.23	3.27	3.29
G 80.0	2.13	2.11	2.13	2.14	2.15	2.19	2.21
G 85.0	1.36	1.36	1.35	1.38	1.41	1.45	1.46
G 90.0	0.97	0.96	0.96	0.97	1.01	1.05	1.07

**Luminaire**

Code 71-3886-14-M2 24°  
 Name Downlight IN 7W 24° 3000K DIM

**Measur.**

Code 71-4033-14-M2 24°  
 Name Downlight IN led 7W 24° 3000K

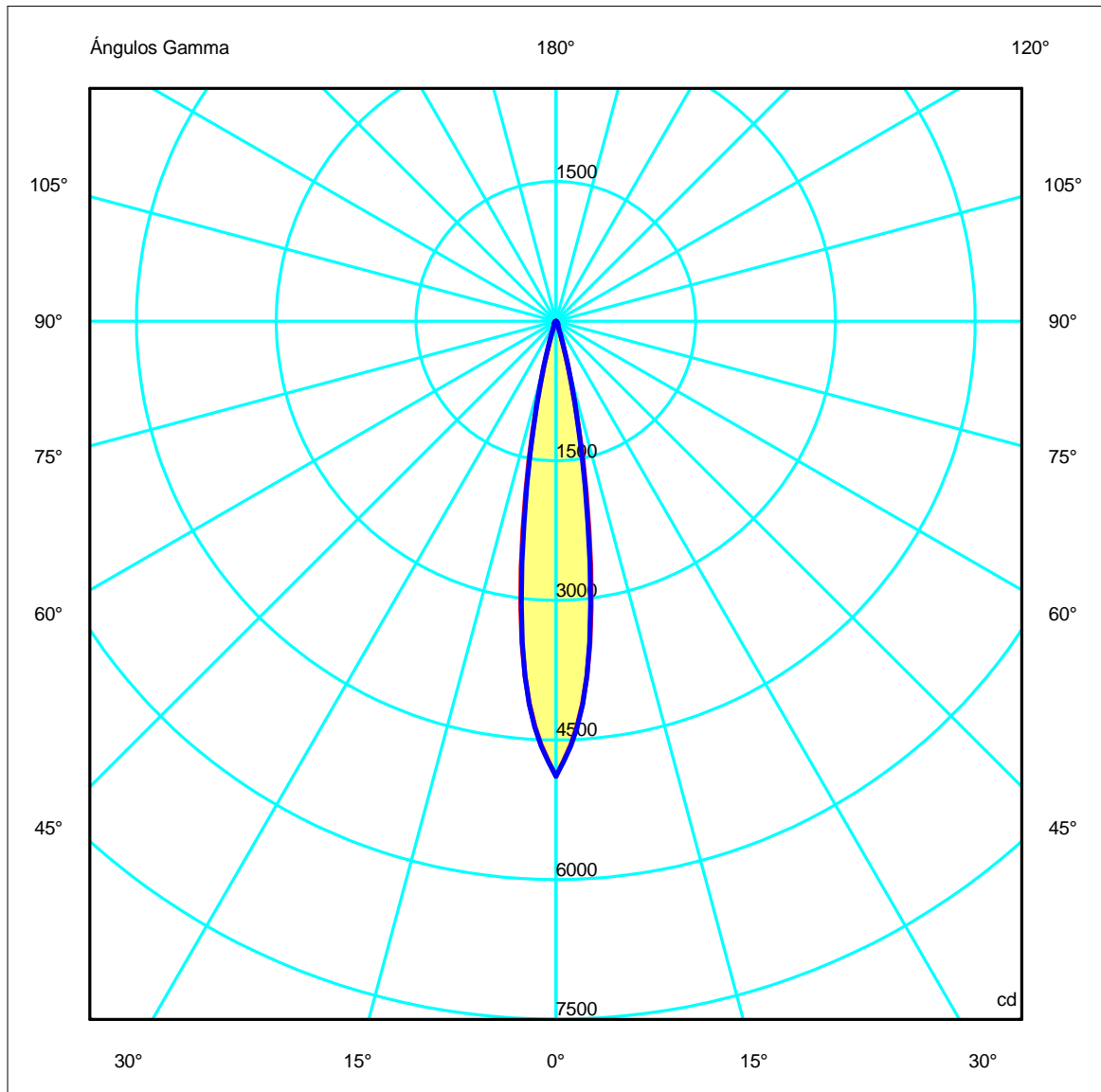
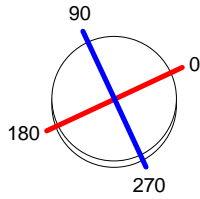
Luminaire Flux	569.87 lm	Luminaire Power	8.00 W	Efficacy	71.23 lm/W	Efficiency	100.00%
Lamps Flux	569.88 lm	Maximum value	4888.67 cd	Position	C=0.00 G=0.00	CG	Double Symmetrical

Diam=50mm

Semiplanos C

180.0 ——— 0.0

270.0 ——— 90.0



**Luminaire**

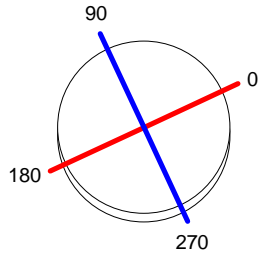
Code 71-3886-14-M2 24°  
 Name Downlight IN 7W 24° 3000K DIM

**Measur.**

Code 71-4033-14-M2 24°  
 Name Downlight IN led 7W 24° 3000K

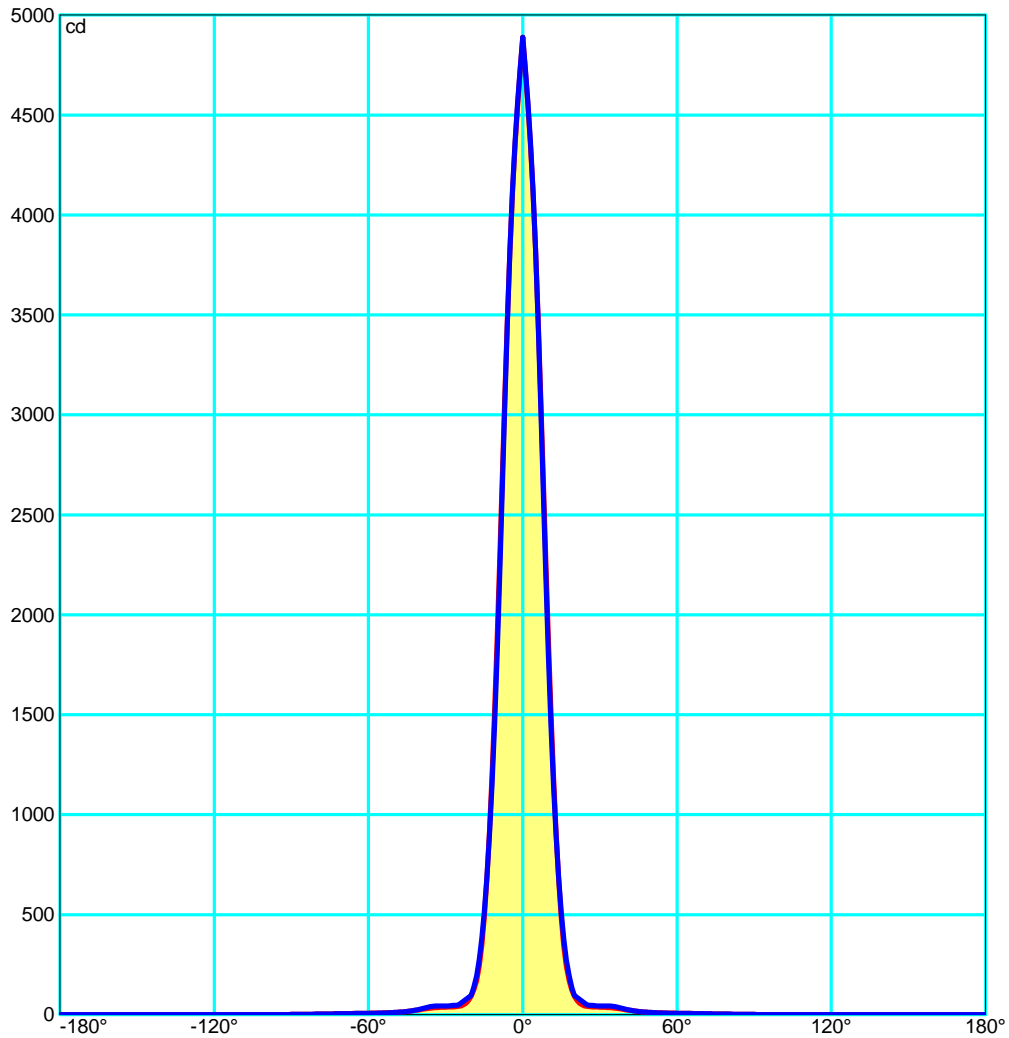
Luminaire Flux	569.87 lm	Luminaire Power	8.00 W	Efficacy	71.23 lm/W	Efficiency	100.00%
Lamps Flux	569.88 lm	Maximum value	4888.67 cd	Position	C=0.00 G=0.00	CG	Double Symmetrical

Diam=50mm



Semiplanos C

180.0 ———— 0.0  
 270.0 ———— 90.0



**Luminaire**

Code 71-3886-14-M2 24°  
Name Downlight IN 7W 24° 3000K DIM

**Measur.**

Code 71-4033-14-M2 24°  
Name Downlight IN led 7W 24° 3000K

Luminaire Flux	569.87 lm	Luminaire Power	8.00 W	Efficacy	71.23 lm/W	Efficiency	100.00%
Lamps Flux	569.88 lm	Maximum value	4888.67 cd	Position	C=0.00 G=0.00	CG	Double Symmetrical

Flujo Total=569.88 Flujo Luminaria=569.87

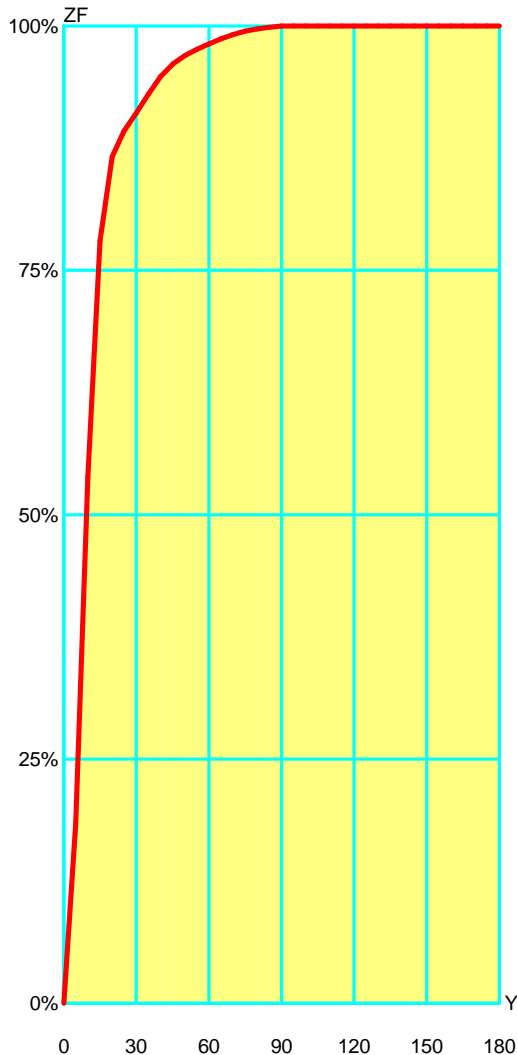
RI	0.60	0.80	1.00	1.25	1.50	2.00	2.50	3.00	4.00	5.00	10.00	20.00
DRR	0.70	0.75	0.80	0.83	0.86	0.91	0.94	0.96	0.98	0.99	1.01	1.02
RC	-	-	-	-	-	-	-	-	-	-	-	-

Flujo Zonal por 1000 Lúmenes

Y°	10	20	30	40	50	60	70	80	90	100	110	120	130	140	150	160	170	180
ZF(Y)	538	866	911	948	970	982	991	997	1000	1000	1000	1000	1000	1000	1000	1000	1000	1000

Códigos de Flujo C.I.E.  
95 98 99 100 100

C.I.E.	-/-/-/-/-/-/-/-/-/-	LOR	99.99860 %
D DIN 5040	A60	ULOR	0.00000 %
F UTE	1.00 A	DLOR	99.99860 %
B NBN	BZ 1	UFF	0.00000 %
RN	0.00000 %	DFF	100.00000 %
BLF	1.0	FFR	0.00000 %



Flujo Zonal				
Gamma °	Flujo	Suma lm	Flujo [%]	Suma [%]
0°	0.00	0.00	0.00%	0.00 %
5°	183.04	183.04	18.30 %	18.30 %
10°	355.37	538.41	35.54 %	53.84 %
15°	241.85	780.27	24.19 %	78.03 %
20°	86.19	866.45	8.62 %	86.65 %
25°	25.98	892.44	2.60 %	89.24 %
30°	18.58	911.01	1.86 %	91.10 %
35°	19.40	930.42	1.94 %	93.04 %
40°	17.82	948.24	1.78 %	94.82 %
45°	12.87	961.11	1.29 %	96.11 %
50°	8.58	969.69	0.86 %	96.97 %
55°	6.50	976.19	0.65 %	97.62 %
60°	5.64	981.83	0.56 %	98.18 %
65°	5.03	986.87	0.50 %	98.69 %
70°	4.31	991.17	0.43 %	99.12 %
75°	3.45	994.62	0.35 %	99.46 %
80°	2.53	997.15	0.25 %	99.72 %
85°	1.69	998.84	0.17 %	99.89 %
90°	1.15	999.99	0.11 %	100.00 %
95°	0.00	999.99	0.00 %	100.00 %
100°	0.00	999.99	0.00 %	100.00 %
105°	0.00	999.99	0.00 %	100.00 %
110°	0.00	999.99	0.00 %	100.00 %
115°	0.00	999.99	0.00 %	100.00 %
120°	0.00	999.99	0.00 %	100.00 %
125°	0.00	999.99	0.00 %	100.00 %
130°	0.00	999.99	0.00 %	100.00 %
135°	0.00	999.99	0.00 %	100.00 %
140°	0.00	999.99	0.00 %	100.00 %
145°	0.00	999.99	0.00 %	100.00 %
150°	0.00	999.99	0.00 %	100.00 %
155°	0.00	999.99	0.00 %	100.00 %
160°	0.00	999.99	0.00 %	100.00 %
165°	0.00	999.99	0.00 %	100.00 %
170°	0.00	999.99	0.00 %	100.00 %
175°	0.00	999.99	0.00 %	100.00 %
180°	0.00	999.99	0.00 %	100.00 %

**Luminaire**

Code 71-3886-14-M2 24°  
Name Downlight IN 7W 24° 3000K DIM

**Measurement**

Code 71-4033-14-M2 24°  
Name Downlight IN led 7W 24° 3000K

Luminaire Flux	569.87 lm	Luminaire Power	8.00 W	Efficacy	71.23 lm/W	Efficiency	100.00%
Lamps Flux	569.88 lm	Maximum value	4888.67 cd	Position	C=0.00 G=0.00	CG	Double Symmetrical

**UGR**  
S = 0.250

Reflectancies										
Ceiling/Cavity	0.7	0.7	0.5	0.5	0.3	0.7	0.7	0.5	0.5	0.3
Walls	0.5	0.3	0.5	0.3	0.3	0.5	0.3	0.5	0.3	0.3
WorkingPlane	0.2	0.2	0.2	0.2	0.2	0.2	0.2	0.2	0.2	0.2
RoomDimensions	ViewedCrosswise					ViewedEndwise				
x=2H y=2H	13.4	14.1	13.7	14.3	14.5	13.5	14.1	13.7	14.3	14.5
x=2H y=3H	14.7	15.3	14.9	15.5	15.7	14.6	15.3	14.9	15.5	15.7
x=2H y=4H	15.3	15.9	15.6	16.1	16.4	15.3	15.9	15.6	16.1	16.4
x=2H y=6H	15.8	16.3	16.1	16.6	16.9	15.8	16.4	16.1	16.6	16.9
x=2H y=8H	16.0	16.6	16.4	16.8	17.2	16.1	16.6	16.4	16.9	17.2
x=2H y=12H	16.3	16.7	16.6	17.1	17.4	16.3	16.8	16.7	17.1	17.4
x=4H y=2H	13.9	14.5	14.2	14.8	15.0	13.9	14.5	14.2	14.8	15.0
x=4H y=3H	15.4	15.9	15.8	16.2	16.5	15.4	15.9	15.7	16.2	16.5
x=4H y=4H	16.2	16.6	16.5	16.9	17.3	16.2	16.6	16.5	16.9	17.3
x=4H y=6H	16.8	17.2	17.3	17.6	18.0	16.9	17.2	17.3	17.6	18.0
x=4H y=8H	17.1	17.5	17.6	17.8	18.3	17.2	17.5	17.6	17.9	18.3
x=4H y=12H	17.5	17.7	17.9	18.1	18.6	17.5	17.8	18.0	18.2	18.6
x=8H y=4H	16.5	16.8	16.9	17.2	17.6	16.5	16.8	16.9	17.2	17.6
x=8H y=6H	17.3	17.6	17.8	18.0	18.5	17.4	17.6	17.8	18.0	18.5
x=8H y=8H	17.7	17.9	18.2	18.4	18.9	17.8	18.0	18.3	18.4	18.9
x=8H y=12H	18.2	18.3	18.7	18.8	19.4	18.3	18.5	18.8	18.9	19.4
x=12H y=4H	16.6	16.8	17.0	17.2	17.6	16.5	16.8	17.0	17.2	17.6
x=12H y=6H	17.4	17.6	17.9	18.1	18.6	17.5	17.7	17.9	18.1	18.6
x=12H y=8H	17.9	18.0	18.4	18.5	19.1	18.0	18.1	18.4	18.6	19.1



**Luminaire**

Code 71-3886-14-M2 24°  
Name Downlight IN 7W 24° 3000K DIM

**Measur.**

Code 71-4033-14-M2 24°  
Name Downlight IN led 7W 24° 3000K

Luminaire Flux	569.87 lm	Luminaire Power	8.00 W	Efficacy	71.23 lm/W	Efficiency	100.00%
Lamps Flux	569.88 lm	Maximum value	4888.67 cd	Position	C=0.00 G=0.00	CG	Double Symmetrical

Utilizations CIE

Mounting	Direct	Normalization										Normalised					Suspension Ratio/3					Standard CIE Settings				
Ceiling																										
K	8873	8773	8871	8771	7773	7771	7753	7553	7751	7551	7731	7331	7711	7111	5551	5531	5331	5511	5111	3331	3311	1111	0000			
0.60	164	148	95	86	141	82	95	81	52	45	32	24	18	12	42	26	23	14	12	22	12	11	0			
0.80	198	182	104	96	173	92	124	109	62	55	41	33	25	18	51	34	31	21	18	29	18	16	0			
1.00	221	206	105	99	196	94	148	132	68	61	48	39	32	25	57	41	37	28	24	35	24	22	0			
1.25	244	230	107	101	219	97	173	158	73	67	55	46	40	32	63	47	44	35	30	42	31	28	0			
1.50	262	249	107	103	237	99	194	178	77	72	60	52	46	38	67	53	50	41	36	47	37	34	0			
2.00	285	274	104	101	261	97	225	210	81	77	68	61	56	48	73	61	58	51	46	56	47	43	0			
2.50	300	291	102	99	278	96	247	233	83	80	73	67	64	56	76	67	64	59	54	61	54	51	0			
3.00	311	303	99	97	289	94	263	251	85	82	77	71	69	62	78	71	68	65	60	66	60	57	0			
4.00	328	321	99	97	307	95	287	276	88	86	83	78	77	71	82	77	75	73	69	73	69	65	0			
5.00	339	333	99	98	319	95	302	293	91	89	86	83	83	77	85	82	80	78	75	77	74	71	0			
10.00	362	359	99	98	345	97	337	332	96	95	95	93	95	91	92	91	90	91	89	88	88	85	0			
20.00	375	374	100	99	359	98	357	354	99	99	100	99	101	100	96	97	97	98	97	94	96	93	0			

Wall

K	8873	8773	8871	8771	7773	7771	7753	7553	7751	7551	7731	7331	7711	7111	5551	5531	5331	5511	5111	3331	3311	1111	0000
0.60	291	282	203	199	277	196	218	211	158	155	133	130	114	112	153	130	129	113	112	128	112	111	89
0.80	325	315	217	213	308	209	251	242	175	171	150	146	131	128	168	146	145	129	128	144	128	127	100
1.00	341	331	216	212	321	208	268	259	178	174	155	151	138	134	170	151	149	135	133	147	133	131	102
1.25	358	348	216	213	337	208	287	277	182	178	162	157	145	141	174	156	154	142	140	152	139	137	104
1.50	370	361	215	212	347	207	301	291	184	181	166	161	150	146	175	159	158	146	144	155	143	140	105
2.00	372	363	197	194	347	189	309	299	172	169	158	153	146	141	163	151	149	140	137	145	135	131	93
2.50	366	358	177	175	340	170	308	298	157	154	146	141	136	131	147	138	136	129	127	131	124	119	78
3.00	355	348	156	154	328	149	301	292	139	137	131	127	123	118	130	122	121	116	113	115	109	104	61
4.00	348	343	136	135	320	130	299	291	123	121	117	113	111	106	113	107	106	103	100	99	95	89	43
5.00	339	334	119	118	310	112	293	285	107	105	103	99	98	94	97	93	92	90	87	84	81	74	27
10.00	275	272	36	36	245	30	237	232	29	28	29	27	28	25	18	18	17	17	16	8	8	0	0
20.00	152	150	0	0	121	0	119	116	0	0	0	0	0	0	0	0	0	0	0	0	0	0	0

Working Pl.

K	8873	8773	8871	8771	7773	7771	7753	7553	7751	7551	7731	7331	7711	7111	5551	5531	5331	5511	5111	3331	3311	1111	0000	
0.60	888	879	829	823	873	820	801	795	771	768	738	735	715	713	765	735	734	713	712	733	712	712	703	
0.80	953	942	878	872	932	868	861	852	822	817	789	784	764	761	813	784	782	761	760	781	760	758	749	
1.00	1000	998	920	915	985	910	918	908	869	864	838	833	814	810	859	832	830	811	808	827	808	806	797	
1.25	1000	1000	953	948	1000	942	966	954	905	900	877	871	855	849	893	869	867	849	847	863	845	842	834	
1.50	1000	1000	976	971	1000	964	1000	990	932	927	906	900	885	879	919	897	894	878	875	889	873	869	860	
2.00	1000	1000	1000	1000	1000	999	1000	1000	975	970	955	948	937	930	960	943	941	929	925	934	921	915	907	
2.50	1000	1000	1000	1000	1000	1000	1000	1000	1000	998	986	980	973	965	987	974	971	962	958	963	953	945	938	
3.00	1000	1000	1000	1000	1000	1000	1000	1000	1000	1000	1000	1000	998	991	1000	995	993	986	982	983	976	966	959	
4.00	1000	1000	1000	1000	1000	1000	1000	1000	1000	1000	1000	1000	1000	1000	1000	1000	1000	1000	1000	1000	1000	997	985	978
5.00	1000	1000	1000	1000	1000	1000	1000	1000	1000	1000	1000	1000	1000	1000	1000	1000	1000	1000	1000	1000	1000	1000	996	989
10.00	1000	1000	1000	1000	1000	1000	1000	1000	1000	1000	1000	1000	1000	1000	1000	1000	1000	1000	1000	1000	1000	1000	1000	1000
20.00	1000	1000	1000	1000	1000	1000	1000	1000	1000	1000	1000	1000	1000	1000	1000	1000	1000	1000	1000	1000	1000	1000	1000	1000

LM53 SHR C0-C180: 0.290 SHR C90-C270: 0.281 SHR Square: 0.296

**Luminaire**

 Code 71-3886-14-M2 24°  
 Name Downlight IN 7W 24° 3000K DIM

**Measur.**

 Code 71-4033-14-M2 24°  
 Name Downlight IN led 7W 24° 3000K

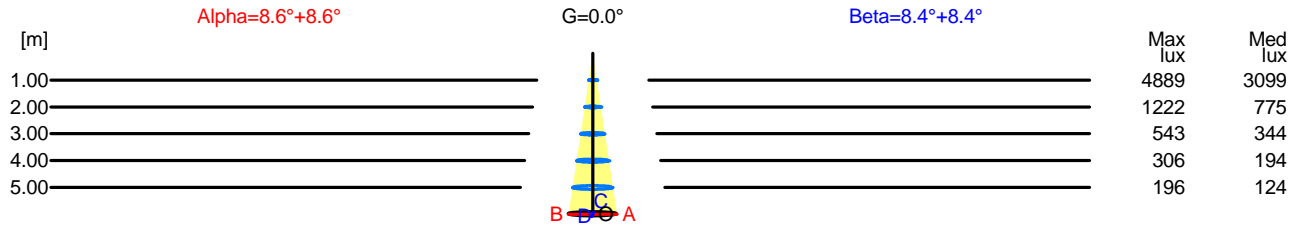
Luminaire Flux	569.87 lm	Luminaire Power	8.00 W	Efficacy	71.23 lm/W	Efficiency	100.00%
Lamps Flux	569.88 lm	Maximum value	4888.67 cd	Position	C=0.00 G=0.00	CG	Double Symmetrical

Width at 50.00 % of Max Intensity

H[m]	1.00	2.00	3.00	4.00	5.00	H[m]	1.00	2.00	3.00	4.00	5.00
OA	0.15	0.30	0.45	0.60	0.75	OC	0.15	0.30	0.44	0.59	0.74
OB	0.15	0.30	0.45	0.60	0.75	OD	0.15	0.30	0.44	0.59	0.74

Luminous Intensities [ cd]

	0	5	15	25	35	45	55	65	75	85
OA	4888.67	3826.01	487.90	40.90	33.36	15.34	8.22	5.57	3.28	1.36
OB	4888.67	3826.01	487.90	40.90	33.36	15.34	8.22	5.57	3.28	1.36
OC	4888.67	3827.21	515.49	46.87	41.24	15.37	7.26	5.33	3.29	1.46
OD	4888.67	3827.21	515.49	46.87	41.24	15.37	7.26	5.33	3.29	1.46



H[m]	D[m]	Max lux	Med lux	Alpha=8.6°+8.6°	G=0.0
1.00	0.30	4889	3099		
2.00	0.60	1222	775		
3.00	0.91	543	344		
4.00	1.21	306	194		
5.00	1.51	196	124		

H[m]	D[m]	Max lux	Med lux	Beta=8.4°+8.4°	G=0.0
1.00	0.30	4889	3099		
2.00	0.59	1222	775		
3.00	0.89	543	344		
4.00	1.18	306	194		
5.00	1.48	196	124		

**Luminaire**

Code 71-3886-14-M2 24°  
 Name Downlight IN 7W 24° 3000K DIM

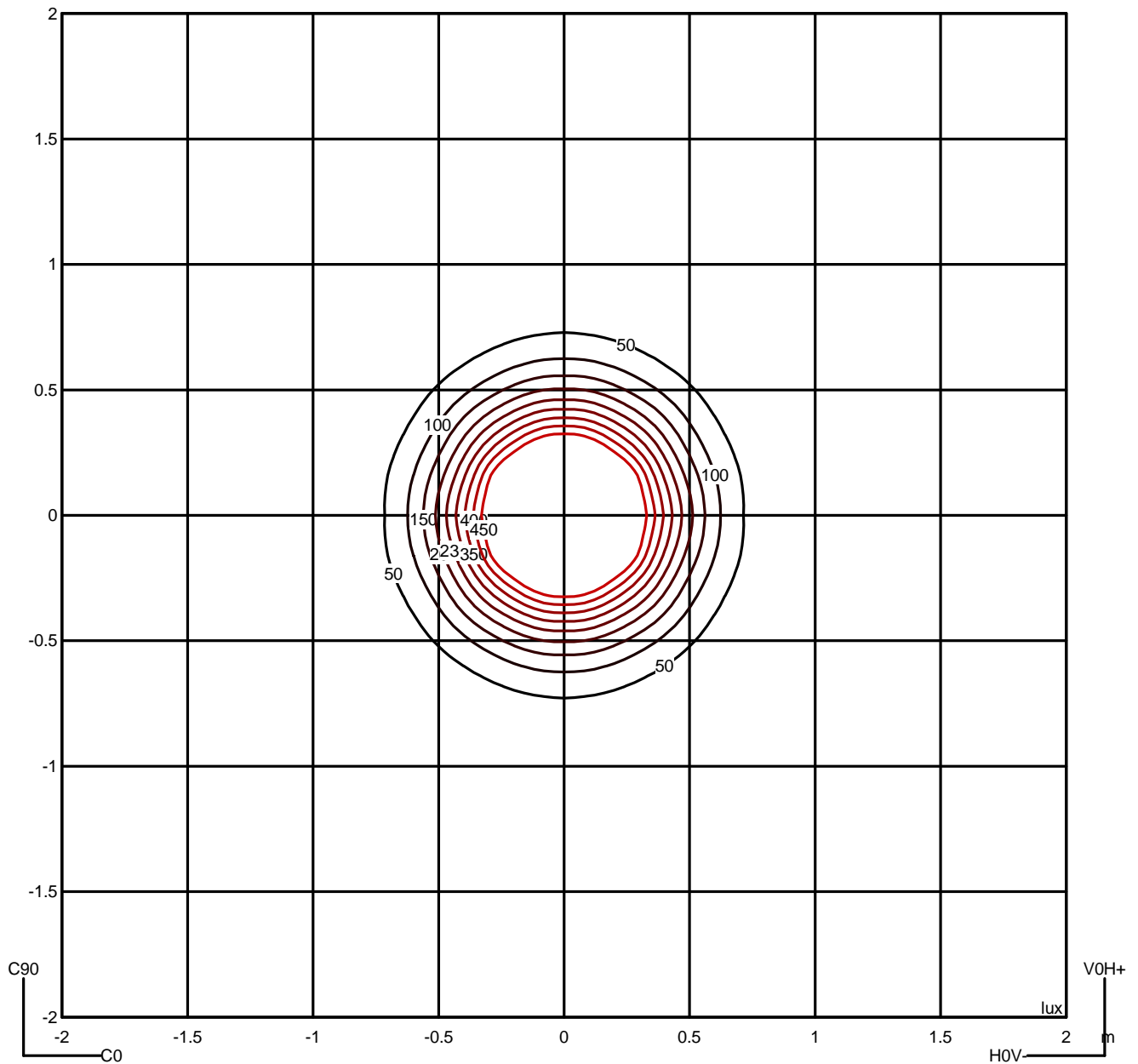
**Measur.**

Code 71-4033-14-M2 24°  
 Name Downlight IN led 7W 24° 3000K

Luminaire Flux	569.87 lm	Luminaire Power	8.00 W	Efficacy	71.23 lm/W	Efficiency	100.00%
Lamps Flux	569.88 lm	Maximum value	4888.67 cd	Position	C=0.00 G=0.00	CG	Double Symmetrical

Isolux (Floor)

Luminaire position X=0.00m Y=0.00m Z=2.50m



**Luminaire**

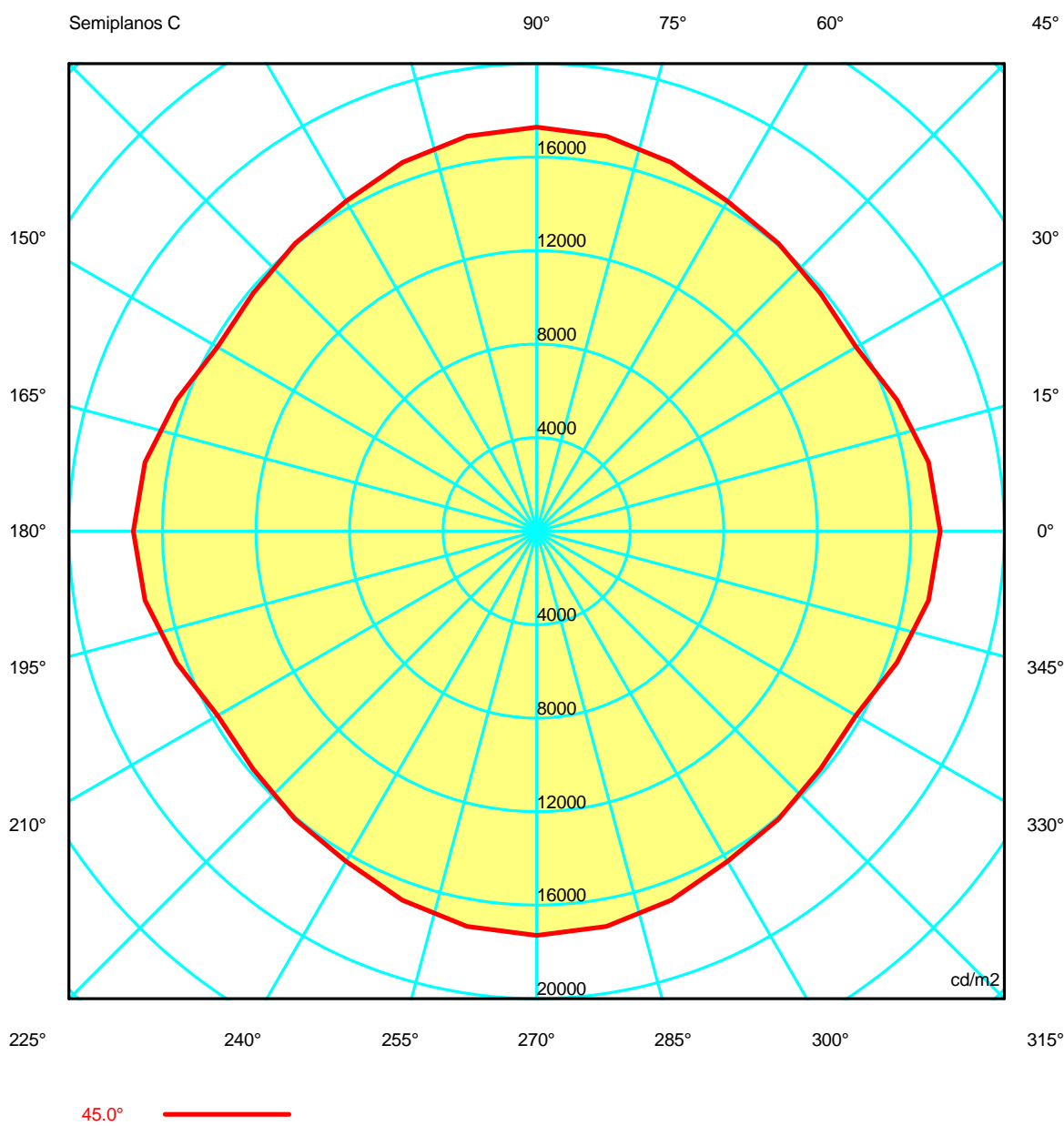
Code 71-3886-14-M2 24°  
 Name Downlight IN 7W 24° 3000K DIM

**Measur.**

Code 71-4033-14-M2 24°  
 Name Downlight IN led 7W 24° 3000K

Luminaire Flux	569.87 lm	Luminaire Power	8.00 W	Efficacy	71.23 lm/W	Efficiency	100.00%
Lamps Flux	569.88 lm	Maximum value	4888.67 cd	Position	C=0.00 G=0.00	CG	Double Symmetrical

Luminance



**Luminaire**

Code 71-3886-14-M2 24°  
Name Downlight IN 7W 24° 3000K DIM

**Measurerm.**

Code 71-4033-14-M2 24°  
Name Downlight IN led 7W 24° 3000K

Luminaire Flux	569.87 lm	Luminaire Power	8.00 W	Efficacy	71.23 lm/W	Efficiency	100.00%
Lamps Flux	569.88 lm	Maximum value	4888.67 cd	Position	C=0.00 G=0.00	CG	Double Symmetrical

**Luminance cd/m2 Table 1/3**

	C 0.00	C 10.00	C 20.00	C 30.00	C 40.00	C 50.00	C 60.00	C 70.00	C 80.00	C 90.00	C 100.00	C 110.00	C 120.00
G 0.0	3889154.02	3889154.02	3889154.02	3889154.02	3889154.02	3889154.02	3889154.02	3889154.02	3889154.02	3889154.02	3889154.02	3889154.02	3889154.02
G 5.0	3055388.17	3033523.21	3087717.07	3150676.09	3083056.47	3018639.47	3027912.80	3054069.63	3064613.13	3056349.25	3064613.13	3054069.63	3027912.80
G 10.0	1515923.22	1481894.54	1467963.11	1475141.54	1484523.84	1474566.27	1458040.71	1466458.54	1468686.58	1450940.32	1468686.58	1466458.54	1458040.71
G 15.0	401840.70	407962.42	404432.27	399771.10	410636.68	415563.09	411321.86	416099.27	422276.39	424560.86	422276.39	416099.27	411321.86
G 20.0	78258.07	78590.41	78778.21	80302.20	84468.85	85755.01	83685.49	83028.40	82514.18	81137.30	82514.18	83028.40	83685.49
G 25.0	35900.48	36182.52	36844.07	38025.75	39481.66	40399.52	40611.27	40664.85	40831.98	41140.09	40831.98	40664.85	40611.27
G 30.0	34192.08	33884.13	33785.61	34137.44	35075.38	36199.33	37193.31	37989.81	38641.69	39224.00	38641.69	37989.81	37193.31
G 35.0	32396.17	32855.98	32937.33	32861.84	33275.67	34156.89	35490.83	37275.97	38866.34	40054.97	38866.34	37275.97	35490.83
G 40.0	25027.18	24788.78	24355.03	24120.40	24766.01	25802.07	26804.94	27673.37	28149.00	28261.01	28149.00	27673.37	26804.94
G 45.0	17254.68	17013.02	16401.67	15764.54	15831.56	16081.43	16310.36	16790.69	17164.09	17290.46	17164.09	16790.69	16310.36
G 50.0	12793.31	12681.87	12164.93	11429.60	11083.05	11071.05	11236.78	11528.47	12031.17	12714.59	12031.17	11528.47	11236.78
G 55.0	11398.33	11287.93	10965.31	10473.31	10080.01	9938.27	10010.01	10113.90	10137.04	10074.64	10137.04	10113.90	10010.01
G 60.0	10820.57	10716.13	10522.69	10250.66	10011.50	9942.15	9941.83	9924.53	9907.34	9901.64	9907.34	9924.53	9941.83
G 65.0	10487.49	10448.37	10349.27	10222.27	10154.87	10095.29	10034.55	10028.67	10028.38	10030.15	10028.38	10028.67	10034.55
G 70.0	10015.58	10004.53	10008.31	10014.42	9993.05	9953.31	9916.83	9900.91	9896.06	9893.15	9896.06	9900.91	9916.83
G 75.0	10067.27	10038.31	9948.25	9853.68	9871.55	9900.94	9920.35	10004.46	10075.30	10097.78	10075.30	10004.46	9920.35
G 80.0	9741.18	9668.40	9681.01	9752.67	9781.26	9802.45	9863.16	9969.63	10065.12	10129.03	10065.12	9969.63	9863.16
G 85.0	12404.52	12389.67	12342.39	12330.66	12466.69	12648.11	12841.74	13091.60	13261.33	13316.16	13261.33	13091.60	12841.74
G 90.0	0.00	0.00	0.00	0.00	0.00	0.00	0.00	0.00	0.00	0.00	0.00	0.00	0.00

**Luminaire**

 Code 71-3886-14-M2 24°  
 Name Downlight IN 7W 24° 3000K DIM

**Measurerm.**

 Code 71-4033-14-M2 24°  
 Name Downlight IN led 7W 24° 3000K

Luminaire Flux	569.87 lm	Luminaire Power	8.00 W	Efficacy	71.23 lm/W	Efficiency	100.00%
Lamps Flux	569.88 lm	Maximum value	4888.67 cd	Position	C=0.00 G=0.00	CG	Double Symmetrical

**Luminance cd/m2 Table 2/3**

	C 130.00	C 140.00	C 150.00	C 160.00	C 170.00	C 180.00	C 190.00	C 200.00	C 210.00	C 220.00	C 230.00	C 240.00	C 250.00
G 0.0	3889154.02	3889154.02	3889154.02	3889154.02	3889154.02	3889154.02	3889154.02	3889154.02	3889154.02	3889154.02	3889154.02	3889154.02	3889154.02
G 5.0	3018639.47	3083056.47	3150676.09	3087717.07	3033523.21	3055388.17	3033523.21	3087717.07	3150676.09	3083056.47	3018639.47	3027912.80	3054069.63
G 10.0	1474566.27	1484523.84	1475141.54	1467963.11	1481894.54	1515923.22	1481894.54	1467963.11	1475141.54	1484523.84	1474566.27	1458040.71	1466458.54
G 15.0	415563.09	410636.68	399771.10	404432.27	407962.42	401840.70	407962.42	404432.27	399771.10	410636.68	415563.09	411321.86	416099.27
G 20.0	85755.01	84468.85	80302.20	78778.21	78590.41	78258.07	78590.41	78778.21	80302.20	84468.85	85755.01	83685.49	83028.40
G 25.0	40399.52	39481.66	38025.75	36844.07	36182.52	35900.48	36182.52	36844.07	38025.75	39481.66	40399.52	40611.27	40664.85
G 30.0	36199.33	35075.38	34137.44	33785.61	33884.13	34192.08	33884.13	33785.61	34137.44	35075.38	36199.33	37193.31	37989.81
G 35.0	34156.89	33275.67	32861.84	32937.33	32855.98	32396.17	32855.98	32937.33	32861.84	33275.67	34156.89	35490.83	37275.97
G 40.0	25802.07	24766.01	24120.40	24355.03	24788.78	25027.18	24788.78	24355.03	24120.40	24766.01	25802.07	26804.94	27673.37
G 45.0	16081.43	15831.56	15764.54	16401.67	17013.02	17254.68	17013.02	16401.67	15764.54	15831.56	16081.43	16310.36	16790.69
G 50.0	11071.05	11083.05	11429.60	12164.93	12681.87	12793.31	12681.87	12164.93	11429.60	11083.05	11071.05	11236.78	11528.47
G 55.0	9938.27	10080.01	10473.31	10965.31	11287.93	11398.33	11287.93	10965.31	10473.31	10080.01	9938.27	10010.01	10113.90
G 60.0	9942.15	10011.50	10250.66	10522.69	10716.13	10820.57	10716.13	10522.69	10250.66	10011.50	9942.15	9941.83	9924.53
G 65.0	10095.29	10154.87	10222.27	10349.27	10448.37	10487.49	10448.37	10349.27	10222.27	10154.87	10095.29	10034.55	10028.67
G 70.0	9953.31	9993.05	10014.42	10008.31	10004.53	10015.58	10004.53	10008.31	10014.42	9993.05	9953.31	9916.83	9900.91
G 75.0	9900.94	9871.55	9853.68	9948.25	10038.31	10067.27	10038.31	9948.25	9853.68	9871.55	9900.94	9920.35	10004.46
G 80.0	9802.45	9781.26	9752.67	9681.01	9668.40	9741.18	9668.40	9681.01	9752.67	9781.26	9802.45	9863.16	9969.63
G 85.0	12648.11	12466.69	12330.66	12342.39	12389.67	12404.52	12389.67	12342.39	12330.66	12466.69	12648.11	12841.74	13091.60
G 90.0	0.00	0.00	0.00	0.00	0.00	0.00	0.00	0.00	0.00	0.00	0.00	0.00	0.00

**Luminaire**

Code 71-3886-14-M2 24°  
Name Downlight IN 7W 24° 3000K DIM

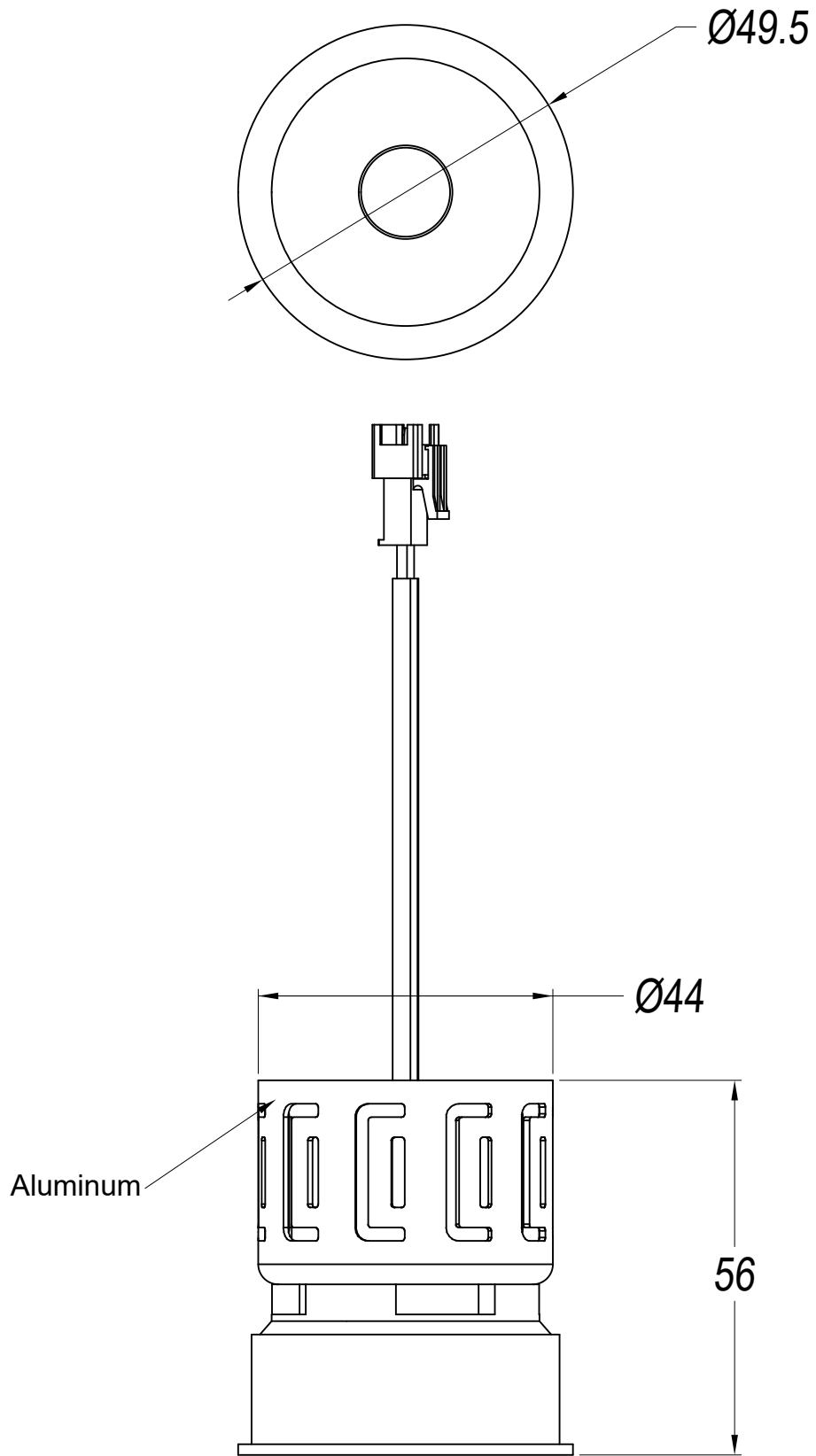
**Measur.**

Code 71-4033-14-M2 24°  
Name Downlight IN led 7W 24° 3000K

Luminaire Flux	569.87 lm	Luminaire Power	8.00 W	Efficacy	71.23 lm/W	Efficiency	100.00%
Lamps Flux	569.88 lm	Maximum value	4888.67 cd	Position	C=0.00 G=0.00	CG	Double Symmetrical

**Luminance cd/m2 Table 3/3**

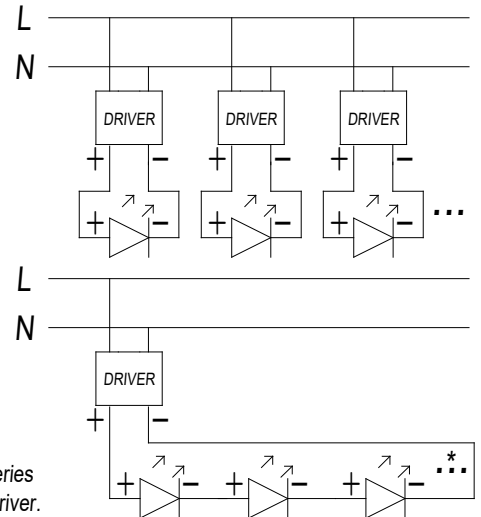
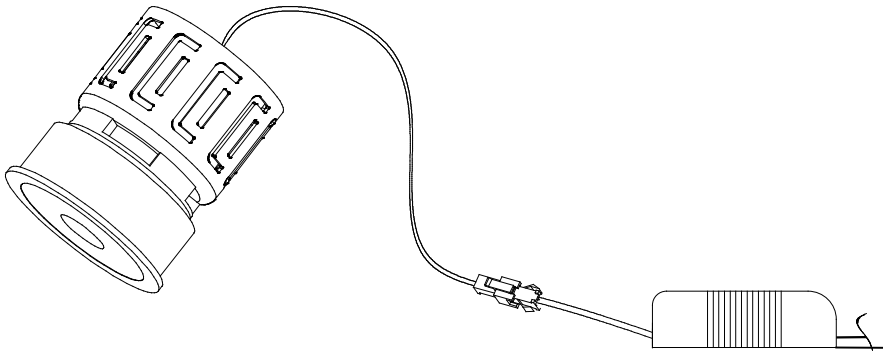
	C 260.00	C 270.00	C 280.00	C 290.00	C 300.00	C 310.00	C 320.00	C 330.00	C 340.00	C 350.00
G 0.0	3889154.02	3889154.02	3889154.02	3889154.02	3889154.02	3889154.02	3889154.02	3889154.02	3889154.02	3889154.02
G 5.0	3064613.13	3056349.25	3064613.13	3054069.63	3027912.80	3018639.47	3083056.47	3150676.09	3087717.07	3033523.21
G 10.0	1468686.58	1450940.32	1468686.58	1466458.54	1458040.71	1474566.27	1484523.84	1475141.54	1467963.11	1481894.54
G 15.0	422276.39	424560.86	422276.39	416099.27	411321.86	415563.09	410636.68	399771.10	404432.27	407962.42
G 20.0	82514.18	81137.30	82514.18	83028.40	83685.49	85755.01	84468.85	80302.20	78778.21	78590.41
G 25.0	40831.98	41140.09	40831.98	40664.85	40611.27	40399.52	39481.66	38025.75	36844.07	36182.52
G 30.0	38641.69	39224.00	38641.69	37989.81	37193.31	36199.33	35075.38	34137.44	33785.61	33884.13
G 35.0	38866.34	40054.97	38866.34	37275.97	35490.83	34156.89	33275.67	32861.84	32937.33	32855.98
G 40.0	28149.00	28261.01	28149.00	27673.37	26804.94	25802.07	24766.01	24120.40	24355.03	24788.78
G 45.0	17164.09	17290.46	17164.09	16790.69	16310.36	16081.43	15831.56	15764.54	16401.67	17013.02
G 50.0	12031.17	12714.59	12031.17	11528.47	11236.78	11071.05	11083.05	11429.60	12164.93	12681.87
G 55.0	10137.04	10074.64	10137.04	10113.90	10010.01	9938.27	10080.01	10473.31	10965.31	11287.93
G 60.0	9907.34	9901.64	9907.34	9924.53	9941.83	9942.15	10011.50	10250.66	10522.69	10716.13
G 65.0	10028.38	10030.15	10028.38	10028.67	10034.55	10095.29	10154.87	10222.27	10349.27	10448.37
G 70.0	9896.06	9893.15	9896.06	9900.91	9916.83	9953.31	9993.05	10014.42	10008.31	10004.53
G 75.0	10075.30	10097.78	10075.30	10004.46	9920.35	9900.94	9871.55	9853.68	9948.25	10038.31
G 80.0	10065.12	10129.03	10065.12	9969.63	9863.16	9802.45	9781.26	9752.67	9681.01	9668.40
G 85.0	13261.33	13316.16	13261.33	13091.60	12841.74	12648.11	12466.69	12330.66	12342.39	12389.67
G 90.0	0.00	0.00	0.00	0.00	0.00	0.00	0.00	0.00	0.00	0.00





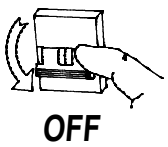
# LEDS C4<sup>®</sup>

IMC IN

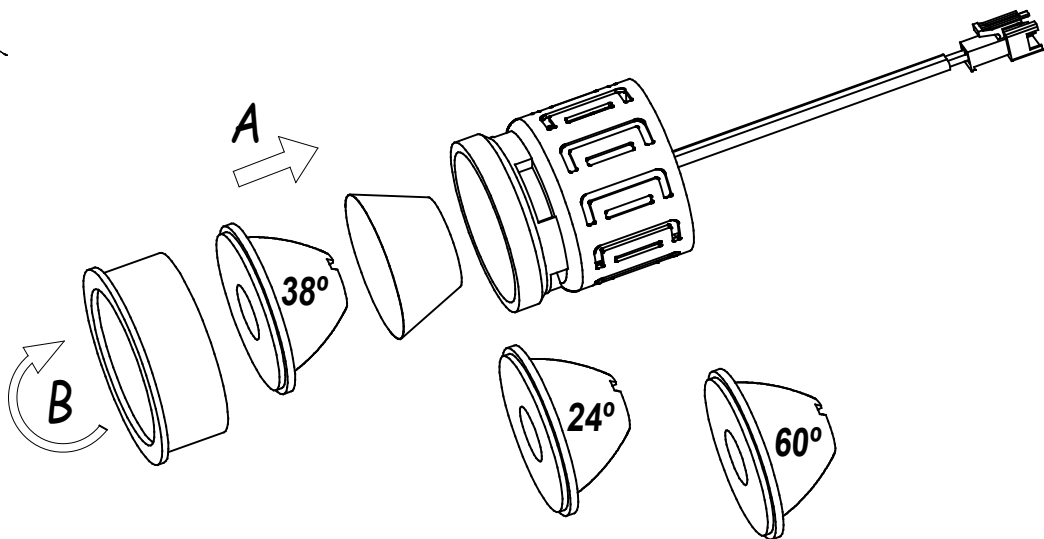


\* The number of modules that can be connected in series depends on the available output voltage of the LED driver.

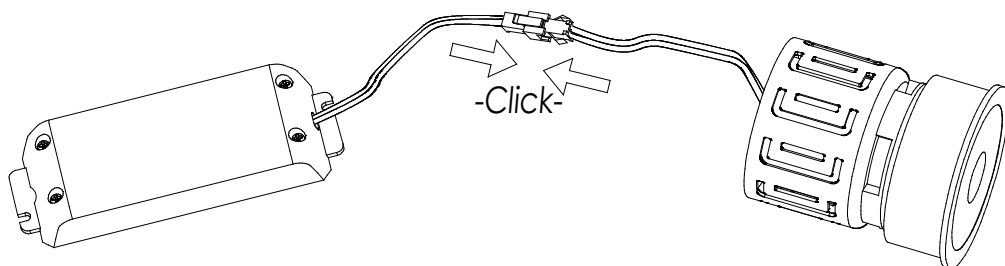
1



OFF

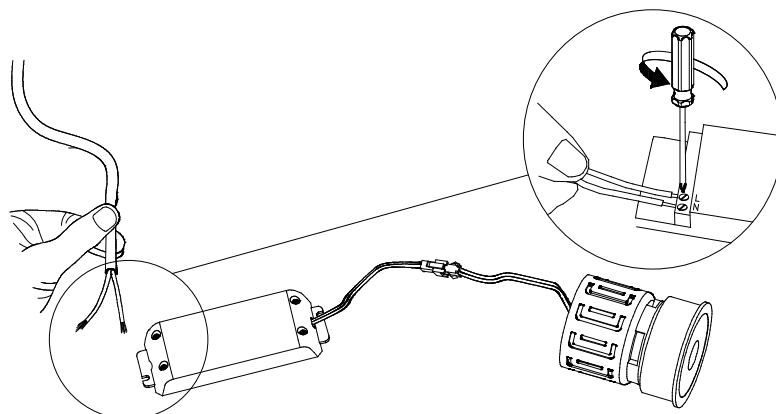


2



-Click-

3



ON

