

Gea Cob LED Aluminium ø185mm Recessed uplighting

Designer: LEDS C4 Team



Ø185



156

Description

Recessed uplighting IP65/IP67 Gea Cob LED Aluminium ø185mm LED 16W 4000K AISI 316 stainless steel 1752lm

	Finish	Material
Structure	AISI 316 stainless steel	Stainless steel AISI316 Aluminium
Diffuser	Transparent	Glass

IP65/IP67 IK10
 MEDIUM 21°
 ±15°
 360°
 4

TECHNICAL CHARACTERISTICS

Light source

Light source: LED CREE
 Light source power (W): 16W
 Luminaire total power (W): 17.6W
 Color temperature: LED neutral-white 4000K
 CRI: 80
 Photobiological risk: RG1
 Real Lumen: 1752
 Qty Leds: 1
 Lm/Real W: 100
 Life Time: 50.000h L80B20
 Bin / Grup: 40H
 MacAdam steps: 2
 UGR: 11.9

GEAR

Gear included: Yes, electronic
 Voltage / Frequency:
 100-240V/50-60Hz
 Power Factor: 0.90
 Dimming protocol: ON-OFF

Luminaire

Temperature on the surface: 40
 Double cable exit: Yes
 Drainage: Yes
 Recessed in-ground suitable for pedestrian crossing: Yes
 Public Areas: 2000 kg
 Seaside: Yes
 Uv Protection: Yes
 Warranty: 5 Years
 Ta max: 50°C

Logistics

Energy Efficiency: LED A++
 EAN Code: 8435381439927
 Net Weight (Kg): 2.08
 Weight in Kg (packaged): 2.37
 Packing: 190 x 190 x 165
 Masterbox: 4

The photograph may not match the reference exactly. Please read the product description to identify the finish.

OPTIONAL ACCESSORIES



71-9995-DC-DC

LIFT cement structure 162 mm in height

Structure material: Concrete
Dimensions: 300 x 300 x 162
Net Weight (Kg): 12

Luminaria

Código 55-9907-CA-CM
Nombre GEA

Ensayo

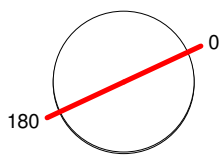
Código 55-9907-CA-CM
Nombre GEA

Flujo Luminaria	1752.38 lm	Potencia luminaria	18.00 W	Eficacia	97.35 lm/W	Eficiencia	100.00%
Flujo de Lámpara	1752.38 lm	Valor Máximo	4089.99 cd/klm	Posición	C=0.00 G=0.00	CG	Rotosimétrico
Luminaria Redonda		Diam.	185 mm	Altura	4 mm		
Área Luminosa Redonda		Diam.	122 mm	Altura	0 mm		
Área Luminosa Horizontal		0.011690 m2		Área Emisión sobre Pl. 180°		0.000000 m2	
Área Emisión sobre Pl. 0°		0.000000 m2		Área Emisión sobre Pl. 270°		0.000000 m2	
Área Emisión sobre Pl. 90°		0.000000 m2		Área de deslumbramiento a 76°		0.002828 m2	
Sist. de Coorden.		CG		Tipo de Simetría		Rotosimétrico	
Fecha		01-02-2019		Máximo Ángulo Gamma		90	
Distancia de Ensayo		0.00		Flujo de Ensayo		1630.12 lm	
Operador		qualitat		Tensión de alimentación [V]			
Temperatura		25.00 °C		Corriente de alimentación [A]			
Humedad		60.00 %		Fotocélula			
Notas							

Lámparas de la Luminaria

Familia	Código	Nombre	Flujo [lm]	Pot. [W]	Cant.
	55-9907-CA-CK_15°	55-9907-CA-CK_15°	1752.38	18.00	1
C.I.E.	100 100 100 100 100				
F UTE	--	D DIN 5040 B NBN	A60 BZ 1		

Diam=185mm



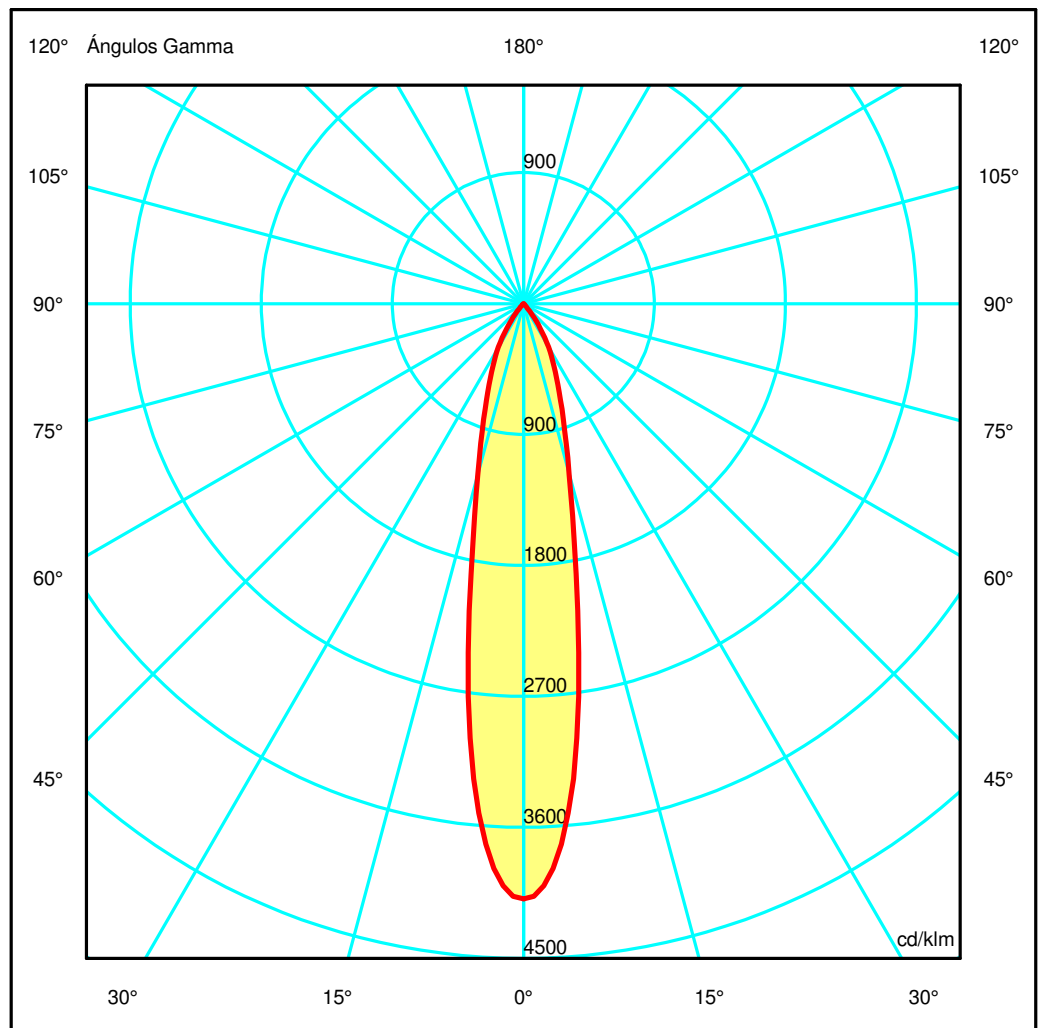
Semiplanos C

180.0 — 0.0

ULOR 0.00 %

DLOR 100.00 %

RN 0.00 %



Luminaria

Código 55-9907-CA-CM

Nombre GEA

Ensayo

Código 55-9907-CA-CM

Nombre GEA

Flujo Luminaria	1752.38 lm	Potencia luminaria	18.00 W	Eficacia	97.35 lm/W	Eficiencia	100.00%
Flujo de Lámpara	1752.38 lm	Valor Máximo	4089.99 cd/klm	Posición	C=0.00 G=0.00	CG	Rotosimétrico

Tabla de Intensidad Luminosa cd/klm
Tabla 1/1

C 0.00		C 0.00	
G 0.0	4089.99	G 46.0	5.26
G 1.0	4074.57	G 47.0	4.44
G 2.0	4003.12	G 48.0	3.87
G 3.0	3887.45	G 49.0	3.38
G 4.0	3722.72	G 50.0	2.96
G 5.0	3513.57	G 51.0	2.64
G 6.0	3283.90	G 52.0	2.35
G 7.0	3008.21	G 53.0	2.10
G 8.0	2725.33	G 54.0	1.91
G 9.0	2427.98	G 55.0	1.71
G 10.0	2142.97	G 56.0	1.59
G 11.0	1891.53	G 57.0	1.48
G 12.0	1672.72	G 58.0	1.37
G 13.0	1496.19	G 59.0	1.30
G 14.0	1340.98	G 60.0	1.23
G 15.0	1214.28	G 61.0	1.15
G 16.0	1100.63	G 62.0	1.07
G 17.0	1003.91	G 63.0	0.96
G 18.0	916.68	G 64.0	0.86
G 19.0	840.24	G 65.0	0.77
G 20.0	772.11	G 66.0	0.68
G 21.0	710.48	G 67.0	0.62
G 22.0	656.85	G 68.0	0.56
G 23.0	606.69	G 69.0	0.52
G 24.0	561.66	G 70.0	0.48
G 25.0	519.15	G 71.0	0.45
G 26.0	480.48	G 72.0	0.42
G 27.0	444.77	G 73.0	0.39
G 28.0	410.58	G 74.0	0.36
G 29.0	377.68	G 75.0	0.33
G 30.0	344.29	G 76.0	0.30
G 31.0	310.74	G 77.0	0.27
G 32.0	275.27	G 78.0	0.23
G 33.0	241.54	G 79.0	0.20
G 34.0	207.91	G 80.0	0.16
G 35.0	176.45	G 81.0	0.14
G 36.0	146.31	G 82.0	0.12
G 37.0	117.92	G 83.0	0.10
G 38.0	91.35	G 84.0	0.09
G 39.0	67.27	G 85.0	0.08
G 40.0	47.15	G 86.0	0.06
G 41.0	31.10	G 87.0	0.05
G 42.0	19.37	G 88.0	0.04
G 43.0	11.88	G 89.0	0.03
G 44.0	8.35	G 90.0	0.02
G 45.0	6.37		

LEDS C4[®]

Luminaria

Código 55-9907-CA-CM
Nombre GEA

Ensayo

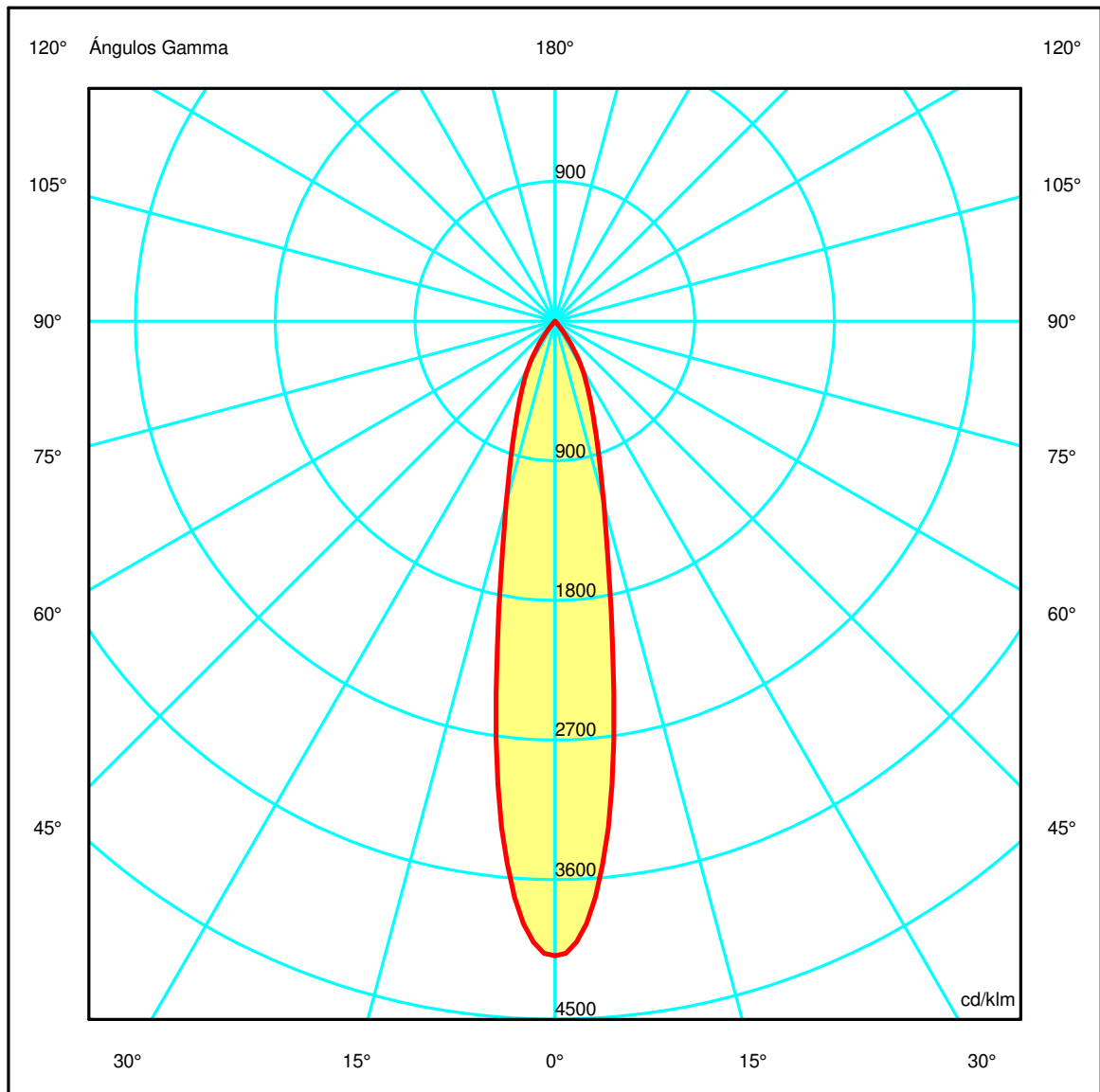
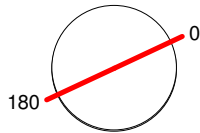
Código 55-9907-CA-CM
Nombre GEA

Flujo Luminaria	1752.38 lm	Potencia luminaria	18.00 W	Eficacia	97.35 lm/W	Eficiencia	100.00%
Flujo de Lámpara	1752.38 lm	Valor Máximo	4089.99 cd/klm	Posición	C=0.00 G=0.00	CG	Rotosimétrico

Diam=185mm

Semiplanos C

180.0  0.0



LEDS C4[®]

Luminaria

Código 55-9907-CA-CM
Nombre GEA

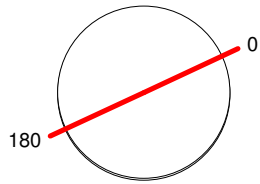
Ensayo

Código 55-9907-CA-CM
Nombre GEA

Flujo Luminaria	1752.38 lm	Potencia luminaria	18.00 W	Eficacia	97.35 lm/W	Eficiencia	100.00%
Flujo de Lámpara	1752.38 lm	Valor Máximo	4089.99 cd/klm	Posición	C=0.00 G=0.00	CG	Rotosimétrico

Diam=185mm

Semiplanos C



180.0 ————— 0.0



Luminaria

Código 55-9907-CA-CM

Nombre GEA

Ensayo

Código 55-9907-CA-CM

Nombre GEA

Flujo Luminaria	1752.38 lm	Potencia luminaria	18.00 W	Eficacia	97.35 lm/W	Eficiencia	100.00%
Flujo de Lámpara	1752.38 lm	Valor Máximo	4089.99 cd/klm	Posición	C=0.00 G=0.00	CG	Rotosimétrico

UGR
S = 0.250

Reflectancias										
Ceiling/Cavity	0.7	0.7	0.5	0.5	0.3	0.7	0.7	0.5	0.5	0.3
Walls	0.5	0.3	0.5	0.3	0.3	0.5	0.3	0.5	0.3	0.3
WorkingPlane	0.2	0.2	0.2	0.2	0.2	0.2	0.2	0.2	0.2	0.2
RoomDimensions	Viewed Crosswise					Viewed Endwise				
x=2H y=2H	12.6	13.3	12.9	13.5	13.6	12.6	13.3	12.9	13.5	13.6
x=2H y=3H	12.5	13.1	12.8	13.3	13.5	12.5	13.1	12.8	13.3	13.5
x=2H y=4H	12.4	13.0	12.7	13.2	13.5	12.4	13.0	12.7	13.2	13.5
x=2H y=6H	12.4	12.9	12.7	13.1	13.4	12.4	12.9	12.7	13.1	13.4
x=2H y=8H	12.3	12.8	12.6	13.1	13.4	12.3	12.8	12.6	13.1	13.4
x=2H y=12H	12.3	12.7	12.6	13.0	13.3	12.3	12.7	12.6	13.0	13.3
x=4H y=2H	12.4	13.0	12.7	13.2	13.5	12.4	13.0	12.7	13.2	13.5
x=4H y=3H	12.3	12.7	12.6	13.0	13.3	12.3	12.7	12.6	13.0	13.3
x=4H y=4H	12.2	12.6	12.6	12.9	13.3	12.2	12.6	12.6	12.9	13.3
x=4H y=6H	12.1	12.5	12.5	12.8	13.2	12.1	12.5	12.5	12.8	13.2
x=4H y=8H	12.1	12.4	12.5	12.8	13.2	12.1	12.4	12.5	12.8	13.2
x=4H y=12H	12.1	12.3	12.5	12.7	13.1	12.1	12.3	12.5	12.7	13.1
x=8H y=4H	12.1	12.4	12.5	12.8	13.2	12.1	12.4	12.5	12.8	13.2
x=8H y=6H	12.0	12.2	12.4	12.6	13.1	12.0	12.2	12.4	12.6	13.1
x=8H y=8H	12.0	12.1	12.4	12.6	13.0	12.0	12.1	12.4	12.6	13.0
x=8H y=12H	11.9	12.0	12.4	12.5	13.0	11.9	12.0	12.4	12.5	13.0
x=12H y=4H	12.1	12.3	12.5	12.7	13.1	12.1	12.3	12.5	12.7	13.1
x=12H y=6H	12.0	12.1	12.4	12.6	13.0	12.0	12.1	12.4	12.6	13.0
x=12H y=8H	11.9	12.0	12.4	12.5	13.0	11.9	12.0	12.4	12.5	13.0

Luminaria

Código 55-9907-CA-CM
Nombre GEA

Ensayo

Código 55-9907-CA-CM
Nombre GEA

Flujo Luminaria	1752.38 lm	Potencia luminaria	18.00 W	Eficacia	97.35 lm/W	Eficiencia	100.00%
Flujo de Lámpara	1752.38 lm	Valor Máximo	4089.99 cd/klm	Posición	C=0.00 G=0.00	CG	Rotosimétrico

Flujo Total=1752.38 Flujo Luminaria=1752.38

RI	0.60	0.80	1.00	1.25	1.50	2.00	2.50	3.00	4.00	5.00	10.00	20.00
DRR	0.74	0.78	0.83	0.86	0.88	0.93	0.96	0.98	0.99	1.00	1.02	1.02
RC	-	-	-	-	-	-	-	-	-	-	-	-

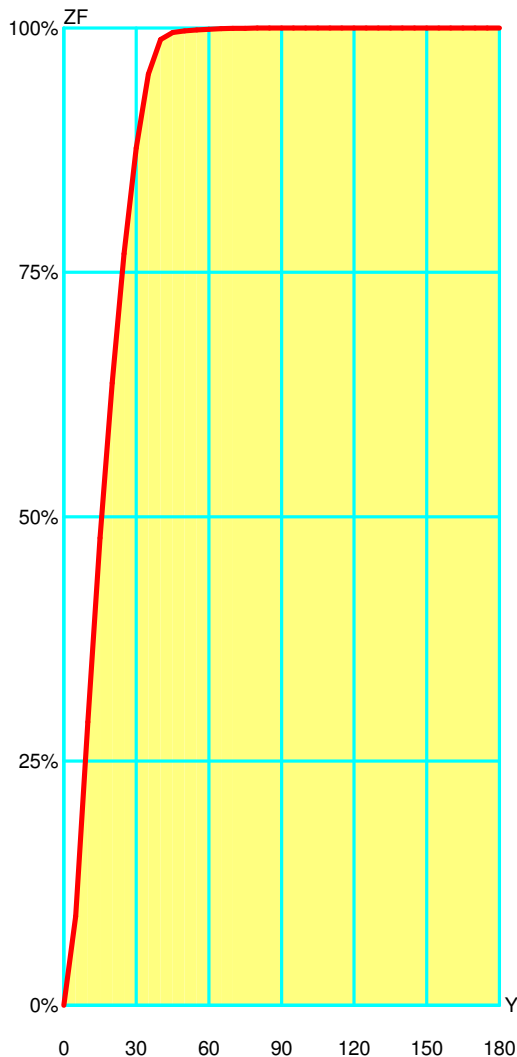
Flujo Zonal por 1000 Lúmenes

Y°	10	20	30	40	50	60	70	80	90	100	110	120	130	140	150	160	170	180
ZF(Y)	290	637	877	988	997	999	1000	1000	1000	1000	1000	1000	1000	1000	1000	1000	1000	1000

Códigos de Flujo C.I.E.

100 100 100 100 100

C.I.E.	-/-/-/-/-/-/-/-/-/-	LOR	100.00000 %
D DIN 5040	A60	ULOR	0.00000 %
F UTE	--	DLOR	100.00000 %
B NBN	BZ 1	UFF	0.00000 %
RN	0.00000 %	DFF	100.00000 %
BLF	1.0	FFR	0.00000 %



Flujo Zonal				
Gamma °	Flujo	Suma lm	Flujo [%]	Suma [%]
0°	0.00	0.00	0.00%	0.00 %
5°	90.98	90.98	9.10 %	9.10 %
10°	198.94	289.92	19.89 %	28.99 %
15°	188.28	478.19	18.83 %	47.82 %
20°	158.44	636.63	15.84 %	63.66 %
25°	132.58	769.21	13.26 %	76.92 %
30°	108.00	877.21	10.80 %	87.72 %
35°	75.78	952.99	7.58 %	95.30 %
40°	35.28	988.28	3.53 %	98.83 %
45°	7.11	995.39	0.71 %	99.54 %
50°	1.74	997.12	0.17 %	99.71 %
55°	0.98	998.11	0.10 %	99.81 %
60°	0.67	998.77	0.07 %	99.88 %
65°	0.49	999.26	0.05 %	99.93 %
70°	0.30	999.57	0.03 %	99.96 %
75°	0.21	999.78	0.02 %	99.98 %
80°	0.13	999.91	0.01 %	99.99 %
85°	0.06	999.97	0.01 %	100.00 %
90°	0.03	1000.00	0.00 %	100.00 %
95°	0.00	1000.00	0.00 %	100.00 %
100°	0.00	1000.00	0.00 %	100.00 %
105°	0.00	1000.00	0.00 %	100.00 %
110°	0.00	1000.00	0.00 %	100.00 %
115°	0.00	1000.00	0.00 %	100.00 %
120°	0.00	1000.00	0.00 %	100.00 %
125°	0.00	1000.00	0.00 %	100.00 %
130°	0.00	1000.00	0.00 %	100.00 %
135°	0.00	1000.00	0.00 %	100.00 %
140°	0.00	1000.00	0.00 %	100.00 %
145°	0.00	1000.00	0.00 %	100.00 %
150°	0.00	1000.00	0.00 %	100.00 %
155°	0.00	1000.00	0.00 %	100.00 %
160°	0.00	1000.00	0.00 %	100.00 %
165°	0.00	1000.00	0.00 %	100.00 %
170°	0.00	1000.00	0.00 %	100.00 %
175°	0.00	1000.00	0.00 %	100.00 %
180°	0.00	1000.00	0.00 %	100.00 %

Luminaria

Código 55-9907-CA-CM

Nombre GEA

Ensayo

Código 55-9907-CA-CM

Nombre GEA

Flujo Luminaria	1752.38 lm	Potencia luminaria	18.00 W	Eficacia	97.35 lm/W	Eficiencia	100.00%
Flujo de Lámpara	1752.38 lm	Valor Máximo	4089.99 cd/klm	Posición	C=0.00 G=0.00	CG	Rotosimétrico

Utilización CIE

Montaje	Directo	Normalización										Normalizados										Raz. de Susp. 1/3			CIE Estándar		
Techo																											
K	8873	8773	8871	8771	7773	7771	7753	7553	7751	7551	7731	7331	7711	7111	5551	5531	5331	5511	5111	3331	3311	1111	0000				
0.60	160	143	89	80	136	76	93	79	49	42	31	23	18	12	39	25	22	14	12	21	12	11	0				
0.80	193	177	97	89	168	85	123	107	59	52	40	32	25	19	48	33	30	21	18	28	18	16	0				
1.00	216	201	98	92	191	88	147	131	64	58	46	38	32	25	54	39	36	28	24	34	25	22	0				
1.25	240	226	100	95	215	91	172	156	70	64	53	45	40	32	60	46	43	35	31	41	31	28	0				
1.50	257	245	101	97	233	93	193	177	74	69	59	51	46	38	65	52	49	41	37	46	37	34	0				
2.00	281	270	98	95	258	92	224	209	78	74	66	60	57	49	70	60	57	51	47	55	47	44	0				
2.50	297	287	96	94	274	91	246	233	81	77	72	66	64	57	73	66	63	59	55	60	55	51	0				
3.00	308	300	94	92	286	90	263	250	82	79	76	70	70	63	75	70	68	65	61	65	61	57	0				
4.00	325	318	95	93	305	91	286	276	86	83	82	77	78	72	80	76	74	73	69	72	69	65	0				
5.00	336	331	95	94	317	92	302	293	89	86	86	82	83	78	83	81	79	79	75	77	75	71	0				
10.00	360	357	96	96	343	94	337	332	94	93	95	92	95	92	90	91	90	91	89	87	88	85	0				
20.00	374	373	98	98	358	96	357	354	98	97	100	99	102	100	95	97	96	99	98	94	96	93	0				

Pared

K	8873	8773	8871	8771	7773	7771	7753	7553	7751	7551	7731	7331	7711	7111	5551	5531	5331	5511	5111	3331	3311	1111	0000
0.60	274	266	184	180	261	178	206	199	143	140	120	117	104	102	139	118	117	102	101	116	101	101	78
0.80	307	297	197	192	290	189	236	228	158	154	135	132	119	116	152	132	130	116	115	129	115	114	87
1.00	321	311	193	189	301	186	251	242	159	155	138	134	123	119	152	134	132	120	118	131	118	116	86
1.25	336	327	192	189	315	185	269	259	162	158	143	139	129	125	154	138	136	125	123	134	122	120	87
1.50	347	338	190	187	324	183	282	271	162	159	146	141	133	128	154	140	138	128	126	135	125	122	86
2.00	347	338	170	167	322	163	287	276	148	145	136	131	125	120	139	128	127	119	117	123	115	111	72
2.50	339	331	148	146	313	141	283	274	130	128	121	117	113	108	121	113	112	106	104	107	101	96	55
3.00	326	319	125	124	299	119	274	265	111	108	104	100	98	93	101	95	94	90	88	88	84	79	35
4.00	316	310	103	101	288	96	269	261	91	89	87	83	82	78	81	78	76	74	72	70	67	60	14
5.00	304	299	82	81	275	76	260	253	73	71	70	67	67	63	63	60	59	58	56	52	50	43	0
10.00	229	226	0	0	198	0	192	187	0	0	0	0	0	0	0	0	0	0	0	0	0	0	0
20.00	90	88	0	0	59	0	58	55	0	0	0	0	0	0	0	0	0	0	0	0	0	0	0

P.Trab.

K	8873	8773	8871	8771	7773	7771	7753	7553	7751	7551	7731	7331	7711	7111	5551	5531	5331	5511	5111	3331	3311	1111	0000
0.60	915	906	854	849	900	846	833	826	802	798	772	769	750	748	796	769	768	749	748	767	748	747	739
0.80	976	965	899	894	956	889	889	880	848	844	818	814	796	792	840	813	812	793	792	810	791	790	782
1.00	1000	1000	939	934	1000	929	943	933	892	888	865	860	844	839	883	859	857	840	838	854	837	835	827
1.25	1000	1000	968	964	1000	958	988	976	926	921	901	895	881	875	914	893	891	875	873	887	871	868	860
1.50	1000	1000	989	985	1000	978	1000	1000	950	945	927	921	909	902	937	918	916	902	899	911	897	892	885
2.00	1000	1000	1000	1000	1000	1000	1000	1000	990	986	972	966	958	951	976	961	959	949	945	952	941	935	928
2.50	1000	1000	1000	1000	1000	1000	1000	1000	1000	1000	1000	1000	996	991	983	1000	990	987	980	976	979	971	963
3.00	1000	1000	1000	1000	1000	1000	1000	1000	1000	1000	1000	1000	1000	1000	1000	1000	1000	1000	1000	999	998	992	983
4.00	1000	1000	1000	1000	1000	1000	1000	1000	1000	1000	1000	1000	1000	1000	1000	1000	1000	1000	1000	1000	1000	999	993
5.00	1000	1000	1000	1000	1000	1000	1000	1000	1000	1000	1000	1000	1000	1000	1000	1000	1000	1000	1000	1000	1000	1000	1000
10.00	1000	1000	1000	1000	1000	1000	1000	1000	1000	1000	1000	1000	1000	1000	1000	1000	1000	1000	1000	1000	1000	1000	1000
20.00	1000	1000	1000	1000	1000	1000	1000	1000	1000	1000	1000	1000	1000	1000	1000	1000	1000	1000	1000	1000	1000	1000	1000

LM53 SHR C0-C180: 0.353 SHR C90-C270: 0.353 SHR Superficial: 0.399

LEDS C4⁺

Luminaria

Código 55-9907-CA-CM
Nombre GEA

Ensayo

Código 55-9907-CA-CM
Nombre GEA

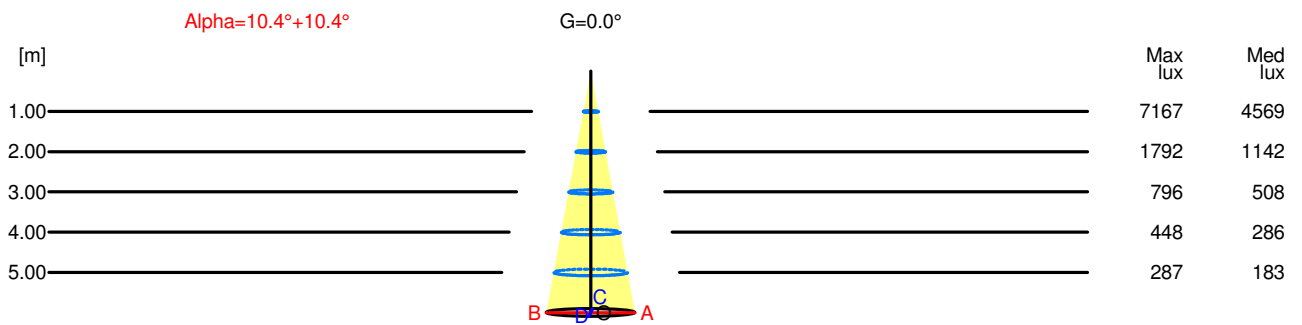
Flujo Luminaria	1752.38 lm	Potencia luminaria	18.00 W	Eficacia	97.35 lm/W	Eficiencia	100.00%
Flujo de Lámpara	1752.38 lm	Valor Máximo	4089.99 cd/klm	Posición	C=0.00 G=0.00	CG	Rotosimétrico

Apertura a 50.00 % de Max Intensidad

H[m]	1.00	2.00	3.00	4.00	5.00	H[m]	1.00	2.00	3.00	4.00	5.00
OA	0.18	0.37	0.55	0.73	0.92	OC	0.18	0.37	0.55	0.73	0.92
OB	0.18	0.37	0.55	0.73	0.92	OD	0.18	0.37	0.55	0.73	0.92

Intensidades Luminosas [cd/klm]

	0	5	15	25	35	45	55	65	75	85
OA	7167.21	6157.11	2127.88	909.74	309.21	11.16	3.00	1.35	0.58	0.13
OB	7167.21	6157.11	2127.88	909.74	309.21	11.16	3.00	1.35	0.58	0.13
OC	7167.21	6157.11	2127.88	909.74	309.21	11.16	3.00	1.35	0.58	0.13
OD	7167.21	6157.11	2127.88	909.74	309.21	11.16	3.00	1.35	0.58	0.13



H[m]	D[m]	Max lux	Med lux	Alpha=10.4°+10.4°	G=0.0
1.00	0.37	7167	4569		
2.00	0.73	1792	1142		
3.00	1.10	796	508		
4.00	1.47	448	286		
5.00	1.83	287	183		

LEDS C4[®]

Luminaria

Código 55-9907-CA-CM

Nombre GEA

Ensayo

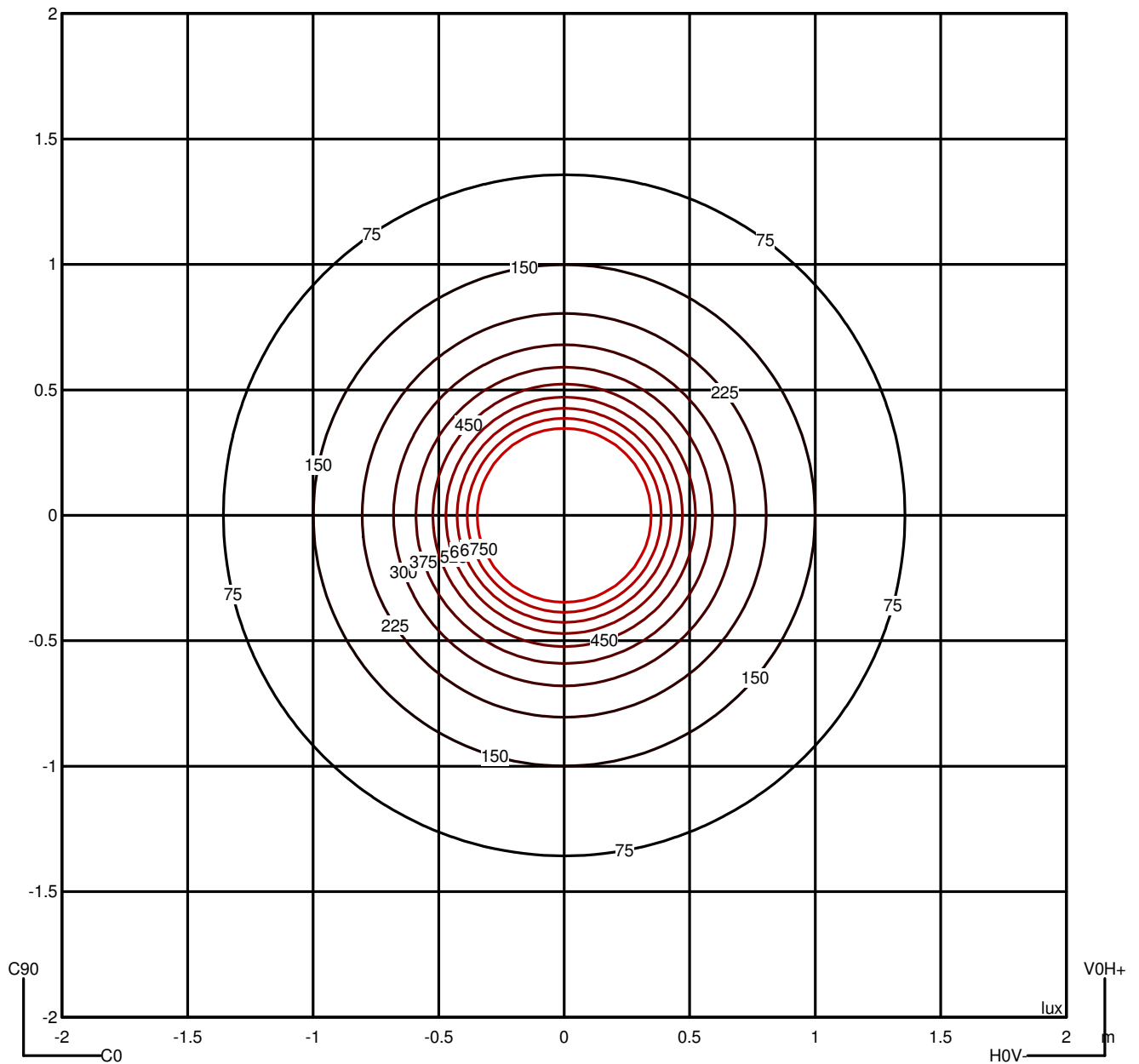
Código 55-9907-CA-CM

Nombre GEA

Flujo Luminaria	1752.38 lm	Potencia luminaria	18.00 W	Eficacia	97.35 lm/W	Eficiencia	100.00%
Flujo de Lámpara	1752.38 lm	Valor Máximo	4089.99 cd/klm	Posición	C=0.00 G=0.00	CG	Rotosimétrico

Isolux (Suelo)

Posición Luminaria X=0.00m Y=0.00m Z=2.50m



LEDS C4[®]

Luminaria

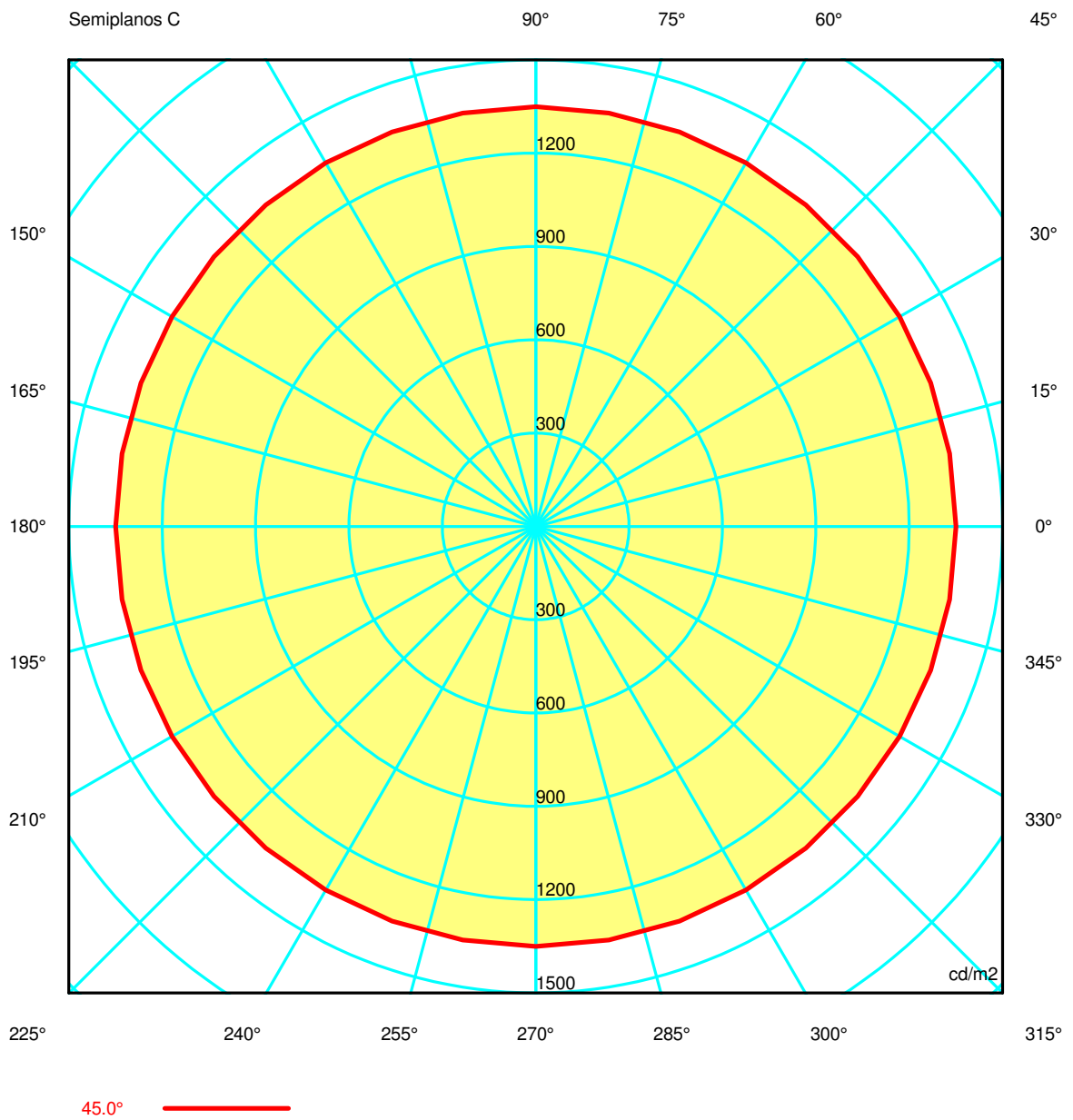
Código 55-9907-CA-CM
Nombre GEA

Ensayo

Código 55-9907-CA-CM
Nombre GEA

Flujo Luminaria	1752.38 lm	Potencia luminaria	18.00 W	Eficacia	97.35 lm/W	Eficiencia	100.00%
Flujo de Lámpara	1752.38 lm	Valor Máximo	4089.99 cd/klm	Posición	C=0.00 G=0.00	CG	Rotosimétrico

Luminancia



Luminaria

Código 55-9907-CA-CM

Nombre GEA

Ensayo

Código 55-9907-CA-CM

Nombre GEA

Flujo Luminaria	1752.38 lm	Potencia luminaria	18.00 W	Eficacia	97.35 lm/W	Eficiencia	100.00%
Flujo de Lámpara	1752.38 lm	Valor Máximo	4089.99 cd/klm	Posición	C=0.00 G=0.00	CG	Rotosimétrico

Luminance cd/m2 Tabla 1/3

	C 0.00	C 10.00	C 20.00	C 30.00	C 40.00	C 50.00	C 60.00	C 70.00	C 80.00	C 90.00	C 100.00	C 110.00	C 120.00
G 0.0	613112.93	613112.93	613112.93	613112.93	613112.93	613112.93	613112.93	613112.93	613112.93	613112.93	613112.93	613112.93	613112.93
G 5.0	528717.04	528717.04	528717.04	528717.04	528717.04	528717.04	528717.04	528717.04	528717.04	528717.04	528717.04	528717.04	528717.04
G 10.0	326199.61	326199.61	326199.61	326199.61	326199.61	326199.61	326199.61	326199.61	326199.61	326199.61	326199.61	326199.61	326199.61
G 15.0	188448.67	188448.67	188448.67	188448.67	188448.67	188448.67	188448.67	188448.67	188448.67	188448.67	188448.67	188448.67	188448.67
G 20.0	123172.25	123172.25	123172.25	123172.25	123172.25	123172.25	123172.25	123172.25	123172.25	123172.25	123172.25	123172.25	123172.25
G 25.0	85868.19	85868.19	85868.19	85868.19	85868.19	85868.19	85868.19	85868.19	85868.19	85868.19	85868.19	85868.19	85868.19
G 30.0	59596.20	59596.20	59596.20	59596.20	59596.20	59596.20	59596.20	59596.20	59596.20	59596.20	59596.20	59596.20	59596.20
G 35.0	32290.76	32290.76	32290.76	32290.76	32290.76	32290.76	32290.76	32290.76	32290.76	32290.76	32290.76	32290.76	32290.76
G 40.0	9227.30	9227.30	9227.30	9227.30	9227.30	9227.30	9227.30	9227.30	9227.30	9227.30	9227.30	9227.30	9227.30
G 45.0	1349.87	1349.87	1349.87	1349.87	1349.87	1349.87	1349.87	1349.87	1349.87	1349.87	1349.87	1349.87	1349.87
G 50.0	691.37	691.37	691.37	691.37	691.37	691.37	691.37	691.37	691.37	691.37	691.37	691.37	691.37
G 55.0	447.27	447.27	447.27	447.27	447.27	447.27	447.27	447.27	447.27	447.27	447.27	447.27	447.27
G 60.0	368.59	368.59	368.59	368.59	368.59	368.59	368.59	368.59	368.59	368.59	368.59	368.59	368.59
G 65.0	272.44	272.44	272.44	272.44	272.44	272.44	272.44	272.44	272.44	272.44	272.44	272.44	272.44
G 70.0	212.08	212.08	212.08	212.08	212.08	212.08	212.08	212.08	212.08	212.08	212.08	212.08	212.08
G 75.0	191.94	191.94	191.94	191.94	191.94	191.94	191.94	191.94	191.94	191.94	191.94	191.94	191.94
G 80.0	142.24	142.24	142.24	142.24	142.24	142.24	142.24	142.24	142.24	142.24	142.24	142.24	142.24
G 85.0	131.17	131.17	131.17	131.17	131.17	131.17	131.17	131.17	131.17	131.17	131.17	131.17	131.17
G 90.0	0.00	0.00	0.00	0.00	0.00	0.00	0.00	0.00	0.00	0.00	0.00	0.00	0.00

Luminaria

Código 55-9907-CA-CM

Nombre GEA

Ensayo

Código 55-9907-CA-CM

Nombre GEA

Flujo Luminaria	1752.38 lm	Potencia luminaria	18.00 W	Eficacia	97.35 lm/W	Eficiencia	100.00%
Flujo de Lámpara	1752.38 lm	Valor Máximo	4089.99 cd/klm	Posición	C=0.00 G=0.00	CG	Rotosimétrico

Luminance cd/m2 Tabla 2/3

	C 130.00	C 140.00	C 150.00	C 160.00	C 170.00	C 180.00	C 190.00	C 200.00	C 210.00	C 220.00	C 230.00	C 240.00	C 250.00
G 0.0	613112.93	613112.93	613112.93	613112.93	613112.93	613112.93	613112.93	613112.93	613112.93	613112.93	613112.93	613112.93	613112.93
G 5.0	528717.04	528717.04	528717.04	528717.04	528717.04	528717.04	528717.04	528717.04	528717.04	528717.04	528717.04	528717.04	528717.04
G 10.0	326199.61	326199.61	326199.61	326199.61	326199.61	326199.61	326199.61	326199.61	326199.61	326199.61	326199.61	326199.61	326199.61
G 15.0	188448.67	188448.67	188448.67	188448.67	188448.67	188448.67	188448.67	188448.67	188448.67	188448.67	188448.67	188448.67	188448.67
G 20.0	123172.25	123172.25	123172.25	123172.25	123172.25	123172.25	123172.25	123172.25	123172.25	123172.25	123172.25	123172.25	123172.25
G 25.0	85868.19	85868.19	85868.19	85868.19	85868.19	85868.19	85868.19	85868.19	85868.19	85868.19	85868.19	85868.19	85868.19
G 30.0	59596.20	59596.20	59596.20	59596.20	59596.20	59596.20	59596.20	59596.20	59596.20	59596.20	59596.20	59596.20	59596.20
G 35.0	32290.76	32290.76	32290.76	32290.76	32290.76	32290.76	32290.76	32290.76	32290.76	32290.76	32290.76	32290.76	32290.76
G 40.0	9227.30	9227.30	9227.30	9227.30	9227.30	9227.30	9227.30	9227.30	9227.30	9227.30	9227.30	9227.30	9227.30
G 45.0	1349.87	1349.87	1349.87	1349.87	1349.87	1349.87	1349.87	1349.87	1349.87	1349.87	1349.87	1349.87	1349.87
G 50.0	691.37	691.37	691.37	691.37	691.37	691.37	691.37	691.37	691.37	691.37	691.37	691.37	691.37
G 55.0	447.27	447.27	447.27	447.27	447.27	447.27	447.27	447.27	447.27	447.27	447.27	447.27	447.27
G 60.0	368.59	368.59	368.59	368.59	368.59	368.59	368.59	368.59	368.59	368.59	368.59	368.59	368.59
G 65.0	272.44	272.44	272.44	272.44	272.44	272.44	272.44	272.44	272.44	272.44	272.44	272.44	272.44
G 70.0	212.08	212.08	212.08	212.08	212.08	212.08	212.08	212.08	212.08	212.08	212.08	212.08	212.08
G 75.0	191.94	191.94	191.94	191.94	191.94	191.94	191.94	191.94	191.94	191.94	191.94	191.94	191.94
G 80.0	142.24	142.24	142.24	142.24	142.24	142.24	142.24	142.24	142.24	142.24	142.24	142.24	142.24
G 85.0	131.17	131.17	131.17	131.17	131.17	131.17	131.17	131.17	131.17	131.17	131.17	131.17	131.17
G 90.0	0.00	0.00	0.00	0.00	0.00	0.00	0.00	0.00	0.00	0.00	0.00	0.00	0.00

Luminaria

Código 55-9907-CA-CM

Nombre GEA

Ensayo

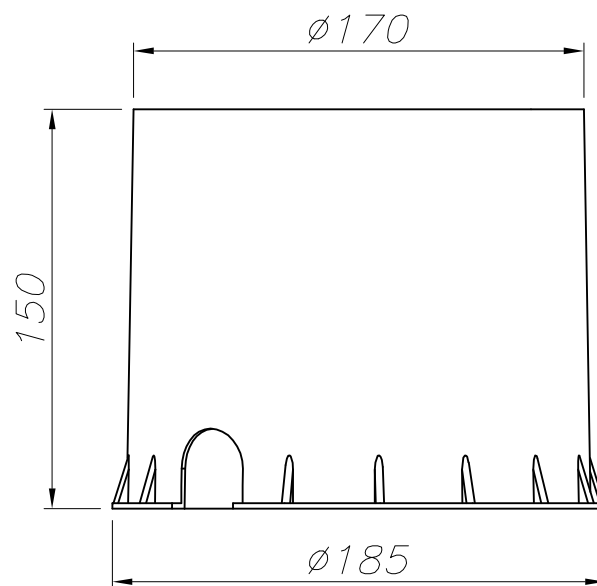
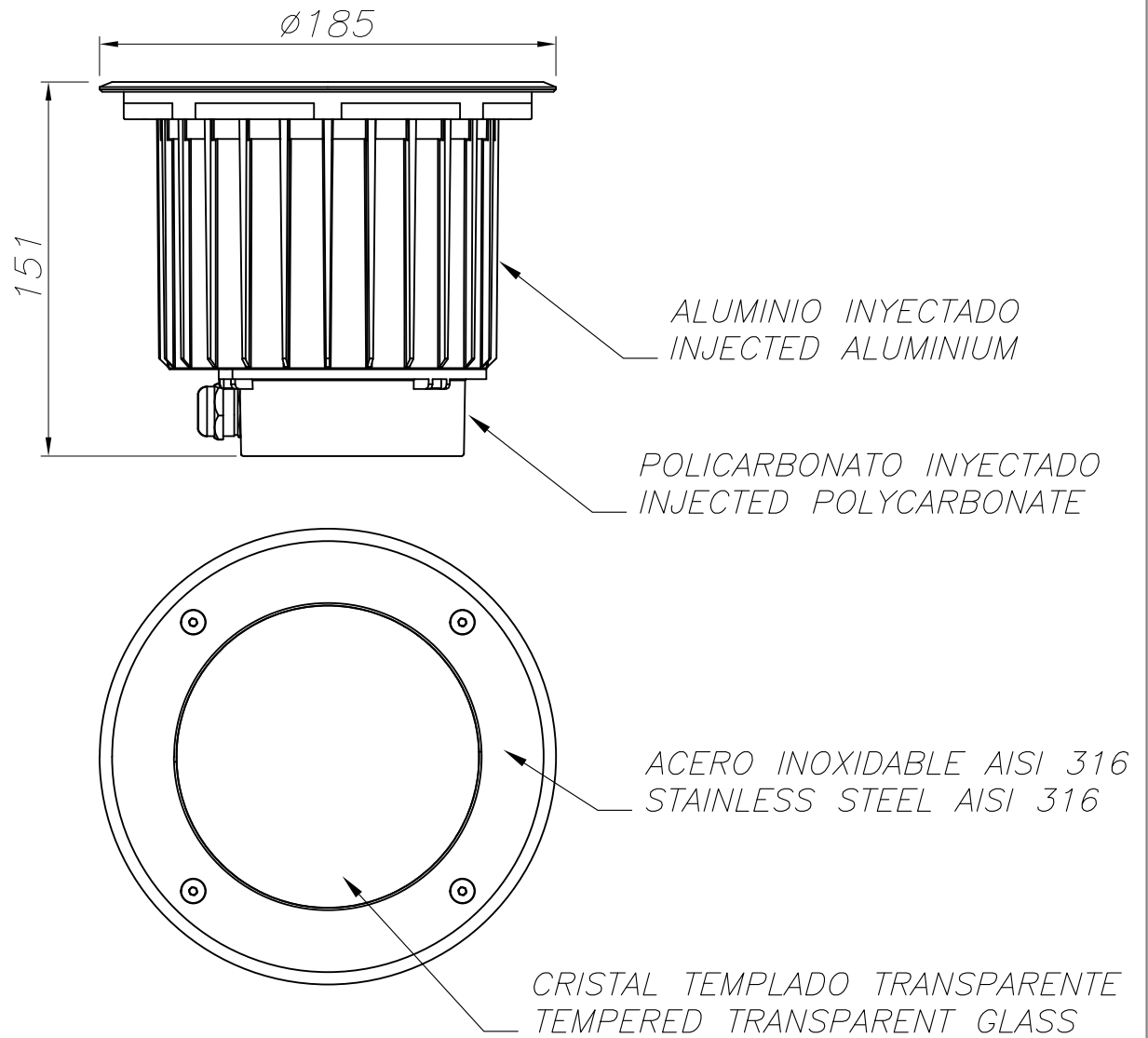
Código 55-9907-CA-CM

Nombre GEA

Flujo Luminaria	1752.38 lm	Potencia luminaria	18.00 W	Eficacia	97.35 lm/W	Eficiencia	100.00%
Flujo de Lámpara	1752.38 lm	Valor Máximo	4089.99 cd/klm	Posición	C=0.00 G=0.00	CG	Rotosimétrico

Luminance cd/m2 Tabla 3/3

	C 260.00	C 270.00	C 280.00	C 290.00	C 300.00	C 310.00	C 320.00	C 330.00	C 340.00	C 350.00
G 0.0	613112.93	613112.93	613112.93	613112.93	613112.93	613112.93	613112.93	613112.93	613112.93	613112.93
G 5.0	528717.04	528717.04	528717.04	528717.04	528717.04	528717.04	528717.04	528717.04	528717.04	528717.04
G 10.0	326199.61	326199.61	326199.61	326199.61	326199.61	326199.61	326199.61	326199.61	326199.61	326199.61
G 15.0	188448.67	188448.67	188448.67	188448.67	188448.67	188448.67	188448.67	188448.67	188448.67	188448.67
G 20.0	123172.25	123172.25	123172.25	123172.25	123172.25	123172.25	123172.25	123172.25	123172.25	123172.25
G 25.0	85868.19	85868.19	85868.19	85868.19	85868.19	85868.19	85868.19	85868.19	85868.19	85868.19
G 30.0	59596.20	59596.20	59596.20	59596.20	59596.20	59596.20	59596.20	59596.20	59596.20	59596.20
G 35.0	32290.76	32290.76	32290.76	32290.76	32290.76	32290.76	32290.76	32290.76	32290.76	32290.76
G 40.0	9227.30	9227.30	9227.30	9227.30	9227.30	9227.30	9227.30	9227.30	9227.30	9227.30
G 45.0	1349.87	1349.87	1349.87	1349.87	1349.87	1349.87	1349.87	1349.87	1349.87	1349.87
G 50.0	691.37	691.37	691.37	691.37	691.37	691.37	691.37	691.37	691.37	691.37
G 55.0	447.27	447.27	447.27	447.27	447.27	447.27	447.27	447.27	447.27	447.27
G 60.0	368.59	368.59	368.59	368.59	368.59	368.59	368.59	368.59	368.59	368.59
G 65.0	272.44	272.44	272.44	272.44	272.44	272.44	272.44	272.44	272.44	272.44
G 70.0	212.08	212.08	212.08	212.08	212.08	212.08	212.08	212.08	212.08	212.08
G 75.0	191.94	191.94	191.94	191.94	191.94	191.94	191.94	191.94	191.94	191.94
G 80.0	142.24	142.24	142.24	142.24	142.24	142.24	142.24	142.24	142.24	142.24
G 85.0	131.17	131.17	131.17	131.17	131.17	131.17	131.17	131.17	131.17	131.17
G 90.0	0.00	0.00	0.00	0.00	0.00	0.00	0.00	0.00	0.00	0.00



CAJA DE EMPOTRAR
FLUSH FITTING BOX

