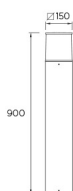


## CUBIK E27

## 55-9549-34-M3

Bollard IP54 CUBIK E27 E27 60W Grey



### TECHNICAL FEATURES

IP54 IK10



**Power (W) :** Max. power 60W

**Total power consumption of light (W) :** 60W

**Structure material :** Aluminium

**Structure finish :** Grey

**Diffuser material :** Polycarbonate

**Diffuser finish :** Matt

**Recommended light bulb :** E27

**Voltage / frequency :** 100-240V/50-60Hz

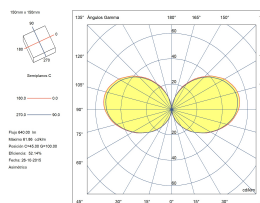
**Warranty :** 2 Years

**Max. temperature :** 25°C

**Energy efficiency :** Light bulb not included

### LUMINOTECHNIC FEATURES

Lampholder: 1 x E27



### LOGISTICS

**Net weight (kg):** 4.75

**Packaged weight (kg):** 5.41

**Packaging:** 160mm x 160mm x 910mm



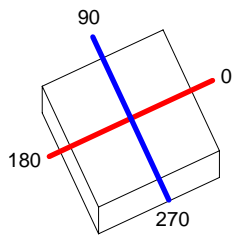
2 Un



Luminaire		Measuram.		Lamp			
Code	55-9549-34-M3	Code	55-9549-34-M3	Code	STANDARD S 60W E27 O		
Name	Baliza CUBIK 1x60W E27 A55	Name	Baliza CUBIK 1x60W E27 A55	Number	1		
Line	- LEDS-C4	Date	26-10-2015	Position	Universal		
Luminaire Flux	333.69 lm	Luminaire Power	60.00 W	Efficacy	5.56 lm/W	Efficiency	52.14%
Lamps Flux	640.00 lm	Maximum value	39.59 cd	Position	C=45.00 G=100.00	CG	Asymmetrical
Rectangular Luminaire	Length	150 mm	Width	150 mm	Height	900 mm	
Rectangular Luminous Area	Length	150 mm	Width	150 mm	Height	140 mm	
Horizontal Luminous Area	0.022500 m2		Emitting area on Plane 180°		0.021000 m2		
Emitting area on Plane 0°	0.021000 m2		Emitting area on Plane 270°		0.021000 m2		
Emitting area on Plane 90°	0.021000 m2		Glare area at 76°		0.025819 m2		
Coordinate system	CG	26-10-2015		Symmetry Type	Asymmetrical		
Date	26-10-2015		Maximum Gamma Angle	180			
Measurement Distance	6.44		Measurement Flux	524.00 lm			
Operator	Asselum T2		Source voltage	230.00 V			
Temperature	21.00 °C		Source current	Prc			
Humidity	60.00 %		Photocell				
Notes							

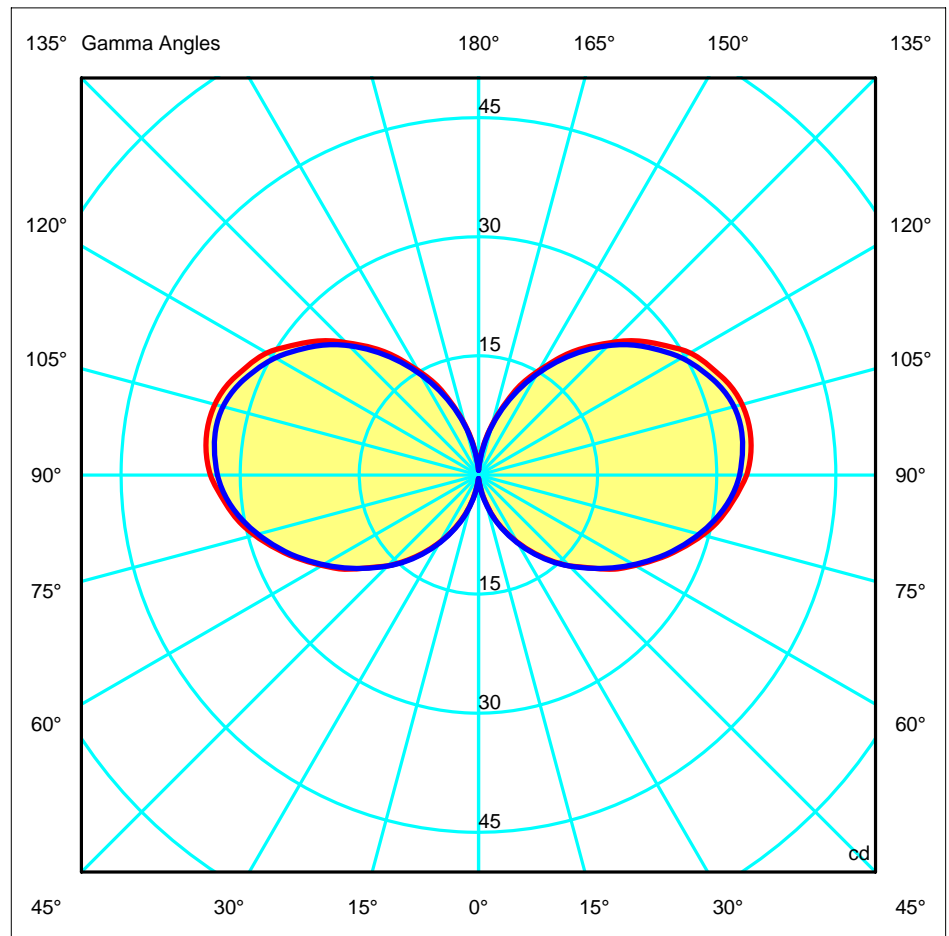
Luminaire Lamps					
Line	Code	Name	Flux [lm]	Pow. [W]	Q.ty
PHILIPS 2005 ILCOS IA,IB,IC	STANDARD S 60W E27 O	STANDARD SFER 60W E27 OPALE	640.00	60.00	1
C.I.E.	10 33 63 45 52	D DIN 5040	C12		
F UTE	--	B NBN	BZ 10		

150mm x 150mm



C Halfplanes  
 180.0 — 0.0  
 270.0 — 90.0

ULOR 28.78 %  
 DLOR 23.36 %  
 RN 55.20 %



<b>Luminaire</b>		<b>Measur.</b>		<b>Lamp</b>	
Code 55-9549-34-M3		Code 55-9549-34-M3		Code STANDARD S 60W E27 O	
Name Baliza CUBIK 1x60W E27 A55		Name Baliza CUBIK 1x60W E27 A55		Number 1	
Line - LEDS-C4		Date 26-10-2015		Position Universal	

Luminaire Flux	333.69 lm	Luminaire Power	60.00 W	Efficacy	5.56 lm/W	Efficiency	52.14%
----------------	-----------	-----------------	---------	----------	-----------	------------	--------

Lamps Flux	640.00 lm	Maximum value	39.59 cd	Position	C=45.00 G=100.00	CG	Asymmetrical
------------	-----------	---------------	----------	----------	------------------	----	--------------

**Luminous Intensity Table cd Table 1/1**

	C 0.00	C 15.00	C 30.00	C 45.00	C 60.00	C 75.00	C 90.00	C 105.00	C 120.00	C 135.00	C 150.00	C 165.00
G 0.0	0.45	0.45	0.45	0.45	0.45	0.45	0.45	0.45	0.45	0.45	0.45	0.45
G 5.0	0.72	0.86	0.66	0.81	0.66	1.00	0.83	1.00	0.66	0.81	0.66	0.86
G 10.0	2.10	1.99	1.84	1.85	1.94	2.17	2.26	2.17	1.94	1.85	1.84	1.99
G 15.0	3.67	3.84	3.70	4.07	3.78	4.07	3.96	4.07	3.78	4.07	3.70	3.84
G 20.0	5.80	5.76	6.08	6.57	6.35	6.05	5.90	6.05	6.35	6.57	6.08	5.76
G 25.0	7.69	8.13	8.79	9.23	8.92	8.44	7.87	8.44	8.92	9.23	8.79	8.13
G 30.0	9.78	10.27	11.29	11.81	11.51	10.64	9.92	10.64	11.51	11.81	11.29	10.27
G 35.0	11.88	12.73	13.94	14.57	14.03	13.01	12.04	13.01	14.03	14.57	13.94	12.73
G 40.0	14.02	15.00	16.64	17.26	16.56	15.41	14.18	15.41	16.56	17.26	16.64	15.00
G 45.0	16.20	17.33	19.19	20.04	19.23	17.74	16.20	17.74	19.23	20.04	19.19	17.33
G 50.0	18.16	19.88	21.94	22.72	21.85	20.35	18.24	20.35	21.85	22.72	21.94	19.88
G 55.0	20.69	22.11	24.29	25.20	24.43	22.53	20.43	22.53	24.43	25.20	24.29	22.11
G 60.0	22.77	24.66	26.91	27.73	26.92	25.14	22.56	25.14	26.92	27.73	26.91	24.66
G 65.0	24.97	26.96	29.30	30.11	29.41	27.34	24.75	27.34	29.41	30.11	29.30	26.96
G 70.0	27.11	29.24	31.65	32.30	31.62	29.74	26.83	29.74	31.62	32.30	31.65	29.24
G 75.0	29.21	31.38	33.73	34.37	33.54	31.69	28.74	31.69	33.54	34.37	33.73	31.38
G 80.0	31.04	33.24	35.46	36.26	35.41	33.53	30.53	33.53	35.41	36.26	35.46	33.24
G 85.0	32.43	34.94	37.10	37.66	36.95	35.12	31.92	35.12	36.95	37.66	37.10	34.94
G 90.0	33.76	35.92	38.19	38.65	38.01	36.15	32.87	36.15	38.01	38.65	38.19	35.92
G 95.0	34.42	36.73	38.80	39.40	38.73	36.84	33.36	36.84	38.73	39.40	38.80	36.73
G100.0	34.65	36.93	38.96	39.59	38.90	36.98	33.60	36.98	38.90	39.59	38.96	36.93
G105.0	34.35	36.51	38.64	39.33	38.64	36.56	33.30	36.56	38.64	39.33	38.64	36.51
G110.0	33.54	35.70	37.86	38.42	37.82	35.74	32.43	35.74	37.82	38.42	37.86	35.70
G115.0	32.22	34.47	36.63	37.33	36.62	34.49	31.08	34.49	36.62	37.33	36.63	34.47
G120.0	30.77	32.57	34.84	35.50	34.69	32.57	29.52	32.57	34.69	35.50	34.84	32.57
G125.0	28.46	30.59	32.74	33.49	32.57	30.64	27.52	30.64	32.57	33.49	32.74	30.59
G130.0	26.30	27.76	30.18	30.88	30.05	27.92	25.46	27.92	30.05	30.88	30.18	27.76
G135.0	23.55	25.44	27.37	28.21	27.22	25.41	23.02	25.41	27.22	28.21	27.37	25.44
G140.0	20.95	22.30	24.13	24.88	24.13	22.40	20.31	22.40	24.13	24.88	24.13	22.30
G145.0	18.16	19.31	20.99	21.60	20.88	19.43	17.53	19.43	20.88	21.60	20.99	19.31
G150.0	15.15	16.33	17.59	17.96	17.66	16.36	14.67	16.36	17.66	17.96	17.59	16.33
G155.0	12.52	12.97	13.85	14.26	14.04	13.02	11.81	13.02	14.04	14.26	13.85	12.97
G160.0	9.25	9.96	10.67	10.87	10.50	9.98	8.89	9.98	10.50	10.67	10.67	9.96
G165.0	6.60	6.71	7.19	7.25	7.09	6.63	6.33	6.63	7.09	7.25	7.19	6.71
G170.0	3.93	4.11	4.28	4.35	4.08	4.01	3.71	4.01	4.08	4.35	4.28	4.11
G175.0	1.81	1.76	1.81	1.85	1.68	1.63	1.64	1.63	1.68	1.81	1.81	1.76
G180.0	0.59	0.59	0.59	0.59	0.59	0.59	0.59	0.59	0.59	0.59	0.59	0.59

	C 180.00	C 195.00	C 210.00	C 225.00	C 240.00	C 255.00	C 270.00	C 285.00	C 300.00	C 315.00	C 330.00	C 345.00
G 0.0	0.45	0.45	0.45	0.45	0.45	0.45	0.45	0.45	0.45	0.45	0.45	0.45
G 5.0	0.72	0.86	0.66	0.81	0.66	1.00	0.83	1.00	0.66	0.81	0.66	0.86
G 10.0	2.10	1.99	1.84	1.85	1.94	2.17	2.26	2.17	1.94	1.85	1.84	1.99
G 15.0	3.67	3.84	3.70	4.07	3.78	4.07	3.96	4.07	3.78	4.07	3.70	3.84
G 20.0	5.80	5.76	6.08	6.57	6.35	6.05	5.90	6.05	6.35	6.57	6.08	5.76
G 25.0	7.69	8.13	8.79	9.23	8.92	8.44	7.87	8.44	8.92	9.23	8.79	8.13
G 30.0	9.78	10.27	11.29	11.81	11.51	10.64	9.92	10.64	11.51	11.81	11.29	10.27
G 35.0	11.88	12.73	13.94	14.57	14.03	13.01	12.04	13.01	14.03	14.57	13.94	12.73
G 40.0	14.02	15.00	16.64	17.26	16.56	15.41	14.18	15.41	16.56	17.26	16.64	15.00
G 45.0	16.20	17.33	19.19	20.04	19.23	17.74	16.20	17.74	19.23	20.04	19.19	17.33
G 50.0	18.16	19.88	21.94	22.72	21.85	20.35	18.24	20.35	21.85	22.72	21.94	19.88
G 55.0	20.69	22.11	24.29	25.20	24.43	22.53	20.43	22.53	24.43	25.20	24.29	22.11
G 60.0	22.77	24.66	26.91	27.73	26.92	25.14	22.56	25.14	26.92	27.73	26.91	24.66
G 65.0	24.97	26.96	29.30	30.11	29.41	27.34	24.75	27.34	29.41	30.11	29.30	26.96
G 70.0	27.11	29.24	31.65	32.30	31.62	29.74	26.83	29.74	31.62	32.30	31.65	29.24
G 75.0	29.21	31.38	33.73	34.37	33.54	31.69	28.74	31.69	33.54	34.37	33.73	31.38
G 80.0	31.04	33.24	35.46	36.26	35.41	33.53	30.53	33.53	35.41	36.26	35.46	33.24
G 85.0	32.43	34.94	37.10	37.66	36.95	35.12	31.92	35.12	36.95	37.66	37.10	34.94
G 90.0	33.76	35.92	38.19	38.65	38.01	36.15	32.87	36.15	38.01	38.65	38.19	35.92
G 95.0	34.42	36.73	38.80	39.40	38.73	36.84	33.36	36.84	38.73	39.40	38.80	36.73
G100.0	34.65	36.93	38.96	39.59	38.90	36.98	33.60	36.98	38.90	39.59	38.96	36.93
G105.0	34.35	36.51	38.64	39.33	38.64	36.56	33.30	36.56	38.64	39.33	38.64	36.51
G110.0	33.54	35.70	37.86	38.42	37.82	35.74	32.43	35.74	37.82	38.42	37.86	35.70
G115.0	32.22	34.47	36.63	37.33	36.62	34.49	31.08	34.49	36.62	37.33	36.63	34.47
G120.0	30.77	32.57	34.84	35.50	34.69	32.57	29.52	32.57	34.69	35.50	34.84	32.57
G125.0	28.46	30.59	32.74	33.49	32.57	30.64	27.52	30.64	32.57	33.49	32.74	30.59
G130.0	26.30	27.76	30.18	30.88	30.05	27.92	25.46	27.92	30.05	30.88	30.18	27.76
G135.0	23.55	25.44	27.37	28.21	27.22	25.41	23.02	25.41	27.22	28.21	27.37	25.44
G140.0	20.95	22.30	24.13	24.88	24.13	22.40	20.31	22.40	24.13	24.88	24.13	22.30
G145.0	18.16	19.31	20.99	21.60	20.88	19.43	17.53	19.43	20.88	21.60	20.99	19.31
G150.0	15.15	16.33	17.59	17.96	17.66	16.36	14.67	16.36	17.66	17.96	17.59	16.33
G155.0	12.52	12.97	13.85	14.26	14.04	13.02	11.81	13.02	14.04	14.26	13.85	12.97
G160.0	9.25	9.96	10.67	10.87	10.50	9.98	8.89	9.98	10.50	10.67	10.67	9.96
G165.0	6.60	6.71	7.19	7.25	7.09	6.63	6.33	6.63	7.09	7.25	7.19	6.71
G170.0	3.93	4.11	4.28	4.35	4.08	4.01	3.71	4.01	4.08	4.35	4.28	4.11
G175.0	1.81	1.76	1.81	1.85	1.68	1.63	1.64	1.63	1.68	1.81	1.81	1.76
G180.0	0.59	0.59	0.59	0.59	0.59	0.59	0.59	0.59	0.59	0.59	0.59	0.59

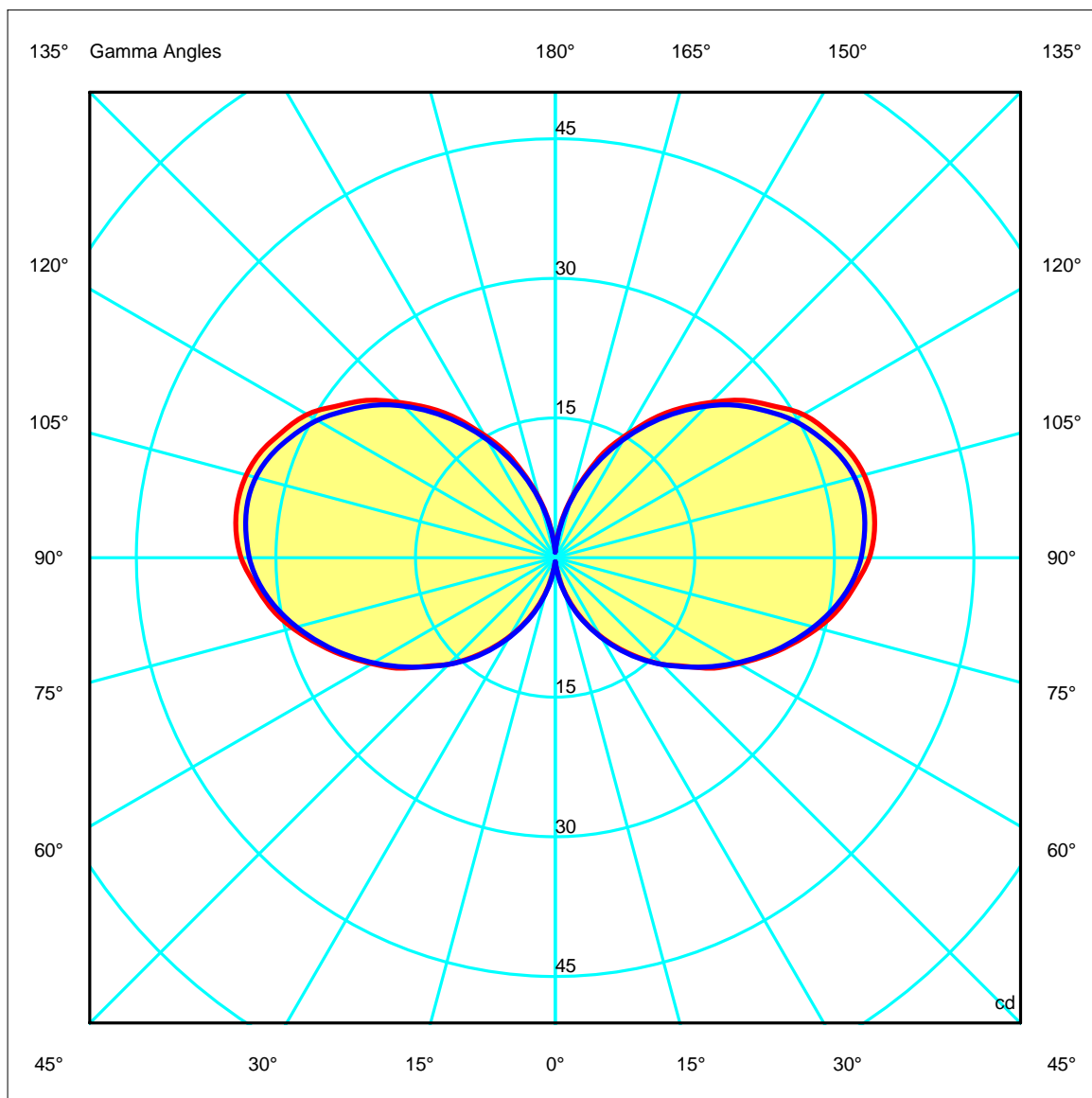
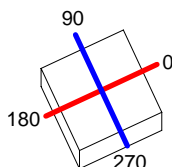
Luminaire		Measurem.		Lamp			
Code	55-9549-34-M3	Code	55-9549-34-M3	Code	STANDARD S 60W E27 O		
Name	Baliza CUBIK 1x60W E27 A55	Name	Baliza CUBIK 1x60W E27 A55	Number	1		
Line	- LEDS-C4	Date	26-10-2015	Position	Universal		
Luminaire Flux	333.69 lm	Luminaire Power	60.00 W	Efficacy	5.56 lm/W	Efficiency	52.14%
Lamps Flux	640.00 lm	Maximum value	39.59 cd	Position	C=45.00 G=100.00	CG	Asymmetrical

150mm x 150mm

C Halfplanes

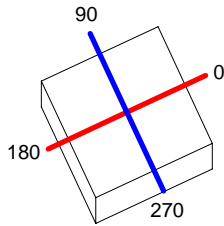
180.0 0.0

270.0 90.0



Luminaire		Measurem.		Lamp			
Code	55-9549-34-M3	Code	55-9549-34-M3	Code	STANDARD S 60W E27 O		
Name	Baliza CUBIK 1x60W E27 A55	Name	Baliza CUBIK 1x60W E27 A55	Number	1		
Line	- LEDS-C4	Date	26-10-2015	Position	Universal		
Luminaire Flux	333.69 lm	Luminaire Power	60.00 W	Efficacy	5.56 lm/W	Efficiency	52.14%
Lamps Flux	640.00 lm	Maximum value	39.59 cd	Position	C=45.00 G=100.00	CG	Asymmetrical

150mm x 150mm



C Halfplanes

180.0 ———— 0.0  
 270.0 ———— 90.0



<b>Luminaire</b>		<b>Measur.</b>			<b>Lamp</b>	
Code	55-9549-34-M3	Code	55-9549-34-M3	Code	STANDARD S 60W E27 O	
Name	Baliza CUBIK 1x60W E27 A55	Name	Baliza CUBIK 1x60W E27 A55	Number	1	
Line	- LEDS-C4	Date	26-10-2015	Position	Universal	
Luminaire Flux	333.69 lm	Luminaire Power	60.00 W	Efficacy	5.56 lm/W	Efficiency 52.14%
Lamps Flux	640.00 lm	Maximum value	39.59 cd	Position	C=45.00 G=100.00	CG Asymmetrical

**UGR**  
S = 0.250

Reflectancies										
Ceiling/Cavity	0.7	0.7	0.5	0.5	0.3	0.7	0.7	0.5	0.5	0.3
Walls	0.5	0.3	0.5	0.3	0.3	0.5	0.3	0.5	0.3	0.3
WorkingPlane	0.2	0.2	0.2	0.2	0.2	0.2	0.2	0.2	0.2	0.2
RoomDimensions	ViewedCrosswise					ViewedEndwise				
x=2H y=2H	7.0	8.0	8.0	9.0	10.3	7.1	8.1	8.0	9.0	10.3
x=2H y=3H	10.4	11.3	11.4	12.3	13.7	10.5	11.3	11.4	12.3	13.7
x=2H y=4H	12.2	13.0	13.1	14.0	15.3	12.2	13.0	13.2	14.0	15.3
x=2H y=6H	13.9	14.7	14.9	15.7	17.1	13.9	14.7	14.9	15.7	17.1
x=2H y=8H	14.8	15.5	15.8	16.6	17.9	14.8	15.5	15.8	16.5	17.9
x=2H y=12H	15.6	16.4	16.6	17.4	18.7	15.6	16.3	16.6	17.3	18.7
x=4H y=2H	8.4	9.2	9.4	10.2	11.6	8.4	9.3	9.4	10.3	11.6
x=4H y=3H	11.8	12.5	12.8	13.5	14.9	11.8	12.5	12.8	13.5	14.9
x=4H y=4H	13.6	14.3	14.6	15.3	16.7	13.6	14.3	14.6	15.3	16.7
x=4H y=6H	15.5	16.0	16.5	17.1	18.5	15.5	16.0	16.5	17.1	18.5
x=4H y=8H	16.4	16.9	17.4	18.0	19.4	16.4	16.9	17.4	18.0	19.4
x=4H y=12H	17.3	17.8	18.3	18.9	20.2	17.3	17.8	18.3	18.8	20.2
x=8H y=4H	14.4	14.9	15.4	16.0	17.4	14.4	14.9	15.4	16.0	17.4
x=8H y=6H	16.4	16.9	17.5	18.0	19.4	16.4	16.9	17.5	18.0	19.4
x=8H y=8H	17.5	17.9	18.6	19.0	20.4	17.5	17.9	18.6	19.0	20.4
x=8H y=12H	18.6	18.9	19.6	20.0	21.5	18.6	18.9	19.6	20.0	21.5
x=12H y=4H	14.5	15.0	15.6	16.1	17.5	14.6	15.1	15.6	16.1	17.5
x=12H y=6H	16.7	17.1	17.8	18.2	19.6	16.7	17.1	17.8	18.2	19.6
x=12H y=8H	17.9	18.2	18.9	19.3	20.7	17.9	18.2	18.9	19.3	20.7

Luminaire		Measur.		Lamp			
Code	55-9549-34-M3	Code	55-9549-34-M3	Code	STANDARD S 60W E27 O		
Name	Baliza CUBIK 1x60W E27 A55	Name	Baliza CUBIK 1x60W E27 A55	Number	1		
Line	- LEDS-C4	Date	26-10-2015	Position	Universal		
Luminaire Flux	333.69 lm	Luminaire Power	60.00 W	Efficacy	5.56 lm/W	Efficiency	52.14%
Lamps Flux	640.00 lm	Maximum value	39.59 cd	Position	C=45.00 G=100.00	CG	Asymmetrical

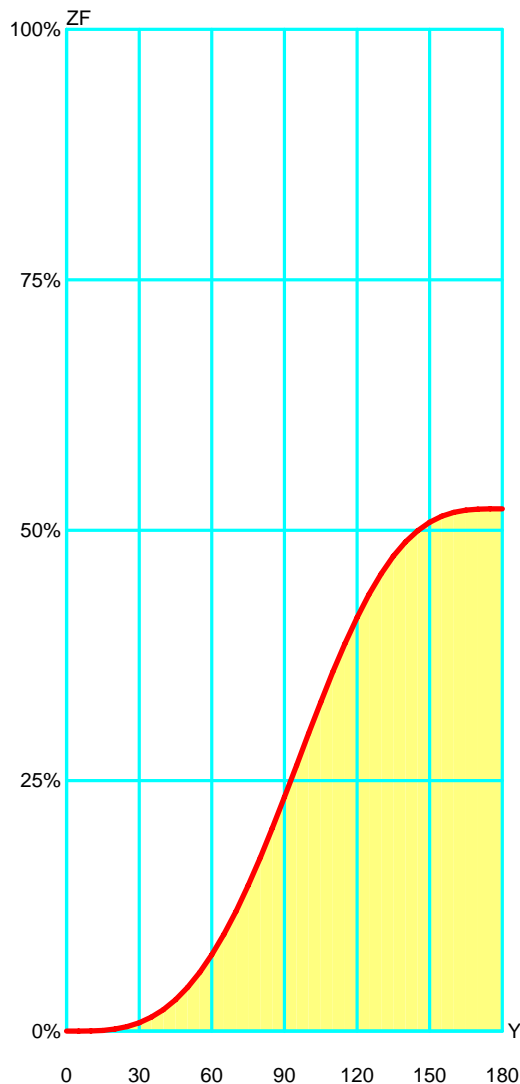
Total Flux=640.00 Luminaire Flux=333.69

RI	0.60	0.80	1.00	1.25	1.50	2.00	2.50	3.00	4.00	5.00	10.00	20.00
DRR	0.06	0.10	0.15	0.20	0.24	0.32	0.39	0.44	0.52	0.57	0.72	0.83
RC	-	-	-	-	-	-	-	-	-	-	-	-

Zonal Flux per 1000 Lumen																		
Y°	10	20	30	40	50	60	70	80	90	100	110	120	130	140	150	160	170	180
ZF(Y)	0	2	8	21	44	76	120	173	234	297	358	413	457	488	508	518	521	521

CIE Flux Codes  
10 33 63 45 52

C.I.E.	-/-/-/-/-/-/-/-/-/-	LOR	52.13832 %
D DIN 5040	C12	ULOR	28.78056 %
F UTE	--	DLOR	23.35776 %
B NBN	BZ 10	UFF	55.20040 %
RN	55.20040 %	DFF	44.79960 %
BLF	1.0	FFR	123.21626 %



Zonal Flux				
Gamma °	Flux	Sum lm	Flux [%]	Sum [%]
0°	0.00	0.00	0.00%	0.00%
5°	0.02	0.02	0.00%	0.00%
10°	0.16	0.18	0.03%	0.03%
15°	0.54	0.72	0.10%	0.14%
20°	1.29	2.01	0.25%	0.39%
25°	2.40	4.41	0.46%	0.85%
30°	3.84	8.26	0.74%	1.58%
35°	5.58	13.84	1.07%	2.65%
40°	7.61	21.45	1.46%	4.11%
45°	9.87	31.32	1.89%	6.01%
50°	12.35	43.67	2.37%	8.38%
55°	14.95	58.62	2.87%	11.24%
60°	17.64	76.27	3.38%	14.63%
65°	20.38	96.65	3.91%	18.54%
70°	23.04	119.70	4.42%	22.96%
75°	25.54	145.24	4.90%	27.86%
80°	27.76	173.00	5.32%	33.18%
85°	29.62	202.62	5.68%	38.86%
90°	30.96	233.58	5.94%	44.80%
95°	31.70	265.28	6.08%	50.88%
100°	31.83	297.11	6.11%	56.99%
105°	31.29	328.40	6.00%	62.99%
110°	30.09	358.49	5.77%	68.76%
115°	28.34	386.82	5.43%	74.19%
120°	26.05	412.88	5.00%	79.19%
125°	23.38	436.25	4.48%	83.67%
130°	20.42	456.68	3.92%	87.59%
135°	17.34	474.02	3.33%	90.92%
140°	14.24	488.26	2.73%	93.65%
145°	11.23	499.50	2.15%	95.80%
150°	8.47	507.97	1.62%	97.43%
155°	5.97	513.94	1.14%	98.57%
160°	3.86	517.80	0.74%	99.31%
165°	2.20	519.99	0.42%	99.73%
170°	1.02	521.01	0.20%	99.93%
175°	0.33	521.34	0.06%	99.99%
180°	0.04	521.38	0.01%	100.00%



<b>Luminaire</b>		<b>Measurem.</b>		<b>Lamp</b>			
Code	55-9549-34-M3	Code	55-9549-34-M3	Code	STANDARD S 60W E27 O		
Name	Baliza CUBIK 1x60W E27 A55	Name	Baliza CUBIK 1x60W E27 A55	Number	1		
Line	- LEDS-C4	Date	26-10-2015	Position	Universal		
Luminaire Flux	333.69 lm	Luminaire Power	60.00 W	Efficacy	5.56 lm/W	Efficiency	52.14%
Lamps Flux	640.00 lm	Maximum value	39.59 cd	Position	C=45.00 G=100.00	CG	Asymmetrical

Left beam angle not found, gamma = -80

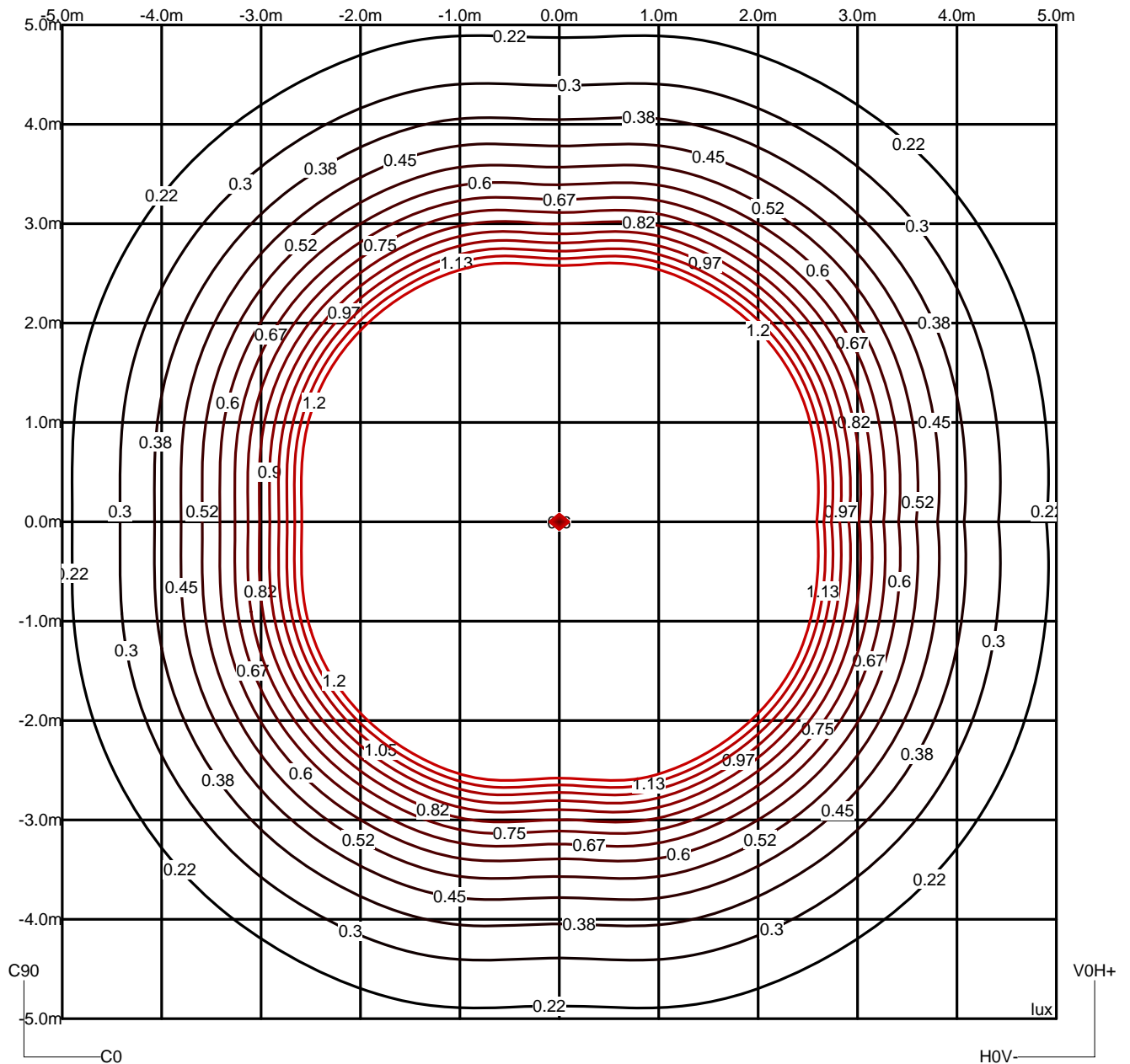
Left beam angle not found, gamma = -80

Left beam angle not found, gamma = -80

Luminaire		Measur.		Lamp			
Code	55-9549-34-M3	Code	55-9549-34-M3	Code	STANDARD S 60W E27 O		
Name	Baliza CUBIK 1x60W E27 A55	Name	Baliza CUBIK 1x60W E27 A55	Number	1		
Line	- LEDS-C4	Date	26-10-2015	Position	Universal		
Luminaire Flux	333.69 lm	Luminaire Power	60.00 W	Efficacy	5.56 lm/W	Efficiency	52.14%
Lamps Flux	640.00 lm	Maximum value	39.59 cd	Position	C=45.00 G=100.00	CG	Asymmetrical

Isolux (Floor)

Luminaire position X=0.00m Y=0.00m Z=0.90m



Luminaire				Measur.				Lamp			
Code	55-9549-34-M3			Code	55-9549-34-M3			Code	STANDARD S 60W E27 O		
Name	Baliza CUBIK 1x60W E27 A55			Name	Baliza CUBIK 1x60W E27 A55			Number	1		
Line	- LEDS-C4			Date	26-10-2015			Position	Universal		
Luminaire Flux	333.69 lm			Luminaire Power	60.00 W			Efficacy	5.56 lm/W		
Lamps Flux	640.00 lm			Maximum value	39.59 cd			Position	C=45.00 G=100.00		
								Efficiency	52.14%		
								CG	Asymmetrical		

Utilizations CIE

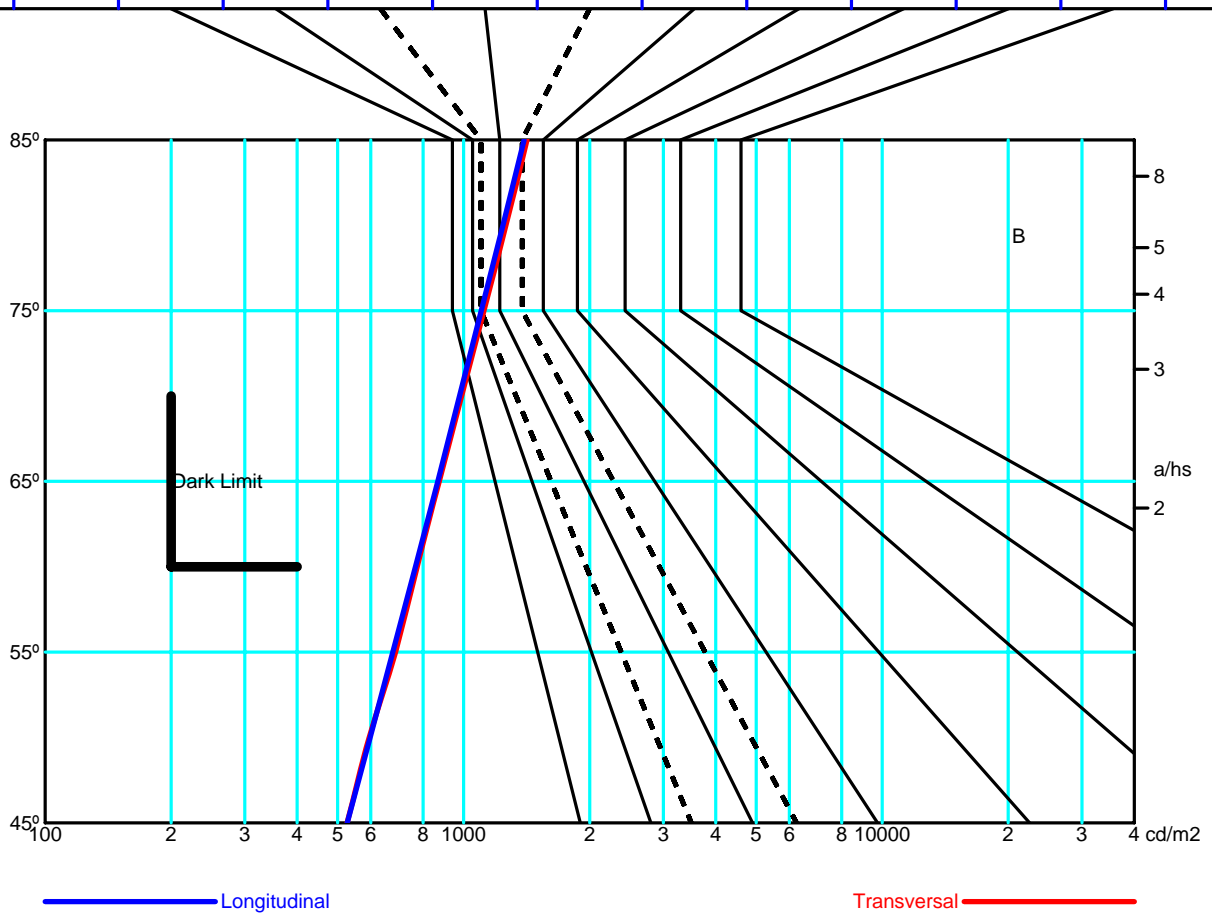
Mounting	Direct	Normalization		Normalised		Suspension Ratio <sup>h</sup> /3										Standard CIE Settings							
Ceiling																							
K	8873	8773	8871	8771	7773	7771	7753	7553	7751	7551	7731	7331	7711	7111	5551	5531	5331	5511	5111	3331	3311	1111	0000
0.60	313	281	298	269	268	257	236	200	230	196	211	159	198	135	183	170	151	161	129	143	136	118	108
0.80	347	318	323	298	303	285	266	233	255	224	234	186	218	159	210	195	176	183	152	167	158	139	128
1.00	370	344	338	316	327	303	288	257	272	245	250	206	232	178	229	213	195	200	170	185	175	156	144
1.25	390	367	349	331	350	318	310	281	287	263	264	225	245	196	247	229	213	215	188	203	192	173	160
1.50	405	384	355	340	366	327	326	300	298	276	274	239	255	211	260	242	227	227	202	217	205	187	173
2.00	423	406	361	349	388	338	350	327	311	293	288	259	269	232	278	260	247	245	223	237	224	207	192
2.50	434	420	363	353	401	343	366	346	318	303	297	272	279	246	289	272	261	257	238	250	238	222	206
3.00	442	430	363	355	411	345	377	360	323	310	303	281	286	257	296	280	270	266	249	260	248	233	216
4.00	451	442	362	357	423	348	394	379	329	319	311	294	296	272	306	291	284	278	264	274	262	249	230
5.00	456	449	361	356	430	348	404	392	332	324	316	302	302	283	311	298	292	286	274	282	272	259	240
10.00	466	462	355	353	444	347	427	420	336	332	326	318	316	306	322	313	310	305	298	301	294	283	262
20.00	470	468	349	348	450	343	440	436	337	335	331	327	325	319	326	321	319	315	312	311	306	298	274
Wall																							
K	8873	8773	8871	8771	7773	7771	7753	7553	7751	7551	7731	7331	7711	7111	5551	5531	5331	5511	5111	3331	3311	1111	0000
0.60	220	203	201	187	194	179	153	136	144	130	121	101	104	82	122	104	96	90	79	92	80	73	66
0.80	263	246	236	222	233	211	190	172	176	161	151	129	132	108	150	130	122	115	102	115	102	93	84
1.00	297	280	263	249	264	237	221	202	203	187	177	155	157	131	173	153	144	137	124	135	122	110	100
1.25	331	315	288	277	296	263	253	235	229	215	204	182	183	157	197	177	169	161	147	157	143	129	117
1.50	358	344	309	298	322	283	280	263	251	238	226	205	205	180	218	198	189	181	168	175	162	146	132
2.00	399	387	339	331	362	314	322	306	285	273	261	242	241	217	249	231	223	215	202	205	192	174	158
2.50	430	419	362	355	392	337	355	340	311	301	289	271	269	247	274	257	249	241	229	229	217	196	178
3.00	454	445	381	374	416	356	382	368	332	323	311	295	293	272	295	278	271	263	252	249	237	215	196
4.00	492	484	410	405	453	386	423	411	365	357	346	333	330	312	327	312	306	298	288	281	270	245	225
5.00	520	513	432	428	481	409	454	444	390	384	374	362	358	343	352	338	333	326	317	307	296	270	248
10.00	603	599	502	500	564	480	546	540	468	464	456	449	446	436	429	419	416	410	405	385	378	348	323
20.00	681	679	572	570	642	550	631	627	543	541	536	532	528	523	504	498	496	492	488	462	457	425	398
Working Pl.																							
K	8873	8773	8871	8771	7773	7771	7753	7553	7751	7551	7731	7331	7711	7111	5551	5531	5331	5511	5111	3331	3311	1111	0000
0.60	192	174	179	163	162	153	112	96	108	93	78	58	56	35	82	58	51	41	30	45	30	22	14
0.80	240	220	221	204	204	190	150	131	143	125	110	85	85	57	109	83	74	63	49	64	47	35	24
1.00	279	259	254	237	238	219	182	161	173	154	138	110	111	80	132	105	95	84	68	81	63	47	34
1.25	317	298	286	270	272	249	217	195	203	184	168	139	139	106	157	129	118	107	89	100	82	61	46
1.50	348	329	310	296	299	272	245	223	228	209	193	164	164	129	177	150	139	127	109	116	98	74	57
2.00	392	376	346	333	340	306	290	269	266	248	232	204	204	169	209	183	172	161	143	143	125	95	76
2.50	424	409	370	359	370	329	322	303	293	277	261	235	234	201	233	208	198	187	169	164	147	112	91
3.00	447	434	387	378	391	347	347	329	313	299	283	259	257	226	251	228	218	207	191	180	164	126	103
4.00	478	468	410	403	421	370	383	368	341	330	315	295	291	264	276	256	248	237	222	204	189	146	121
5.00	499	490	425	419	441	385	407	394	360	350	337	319	315	292	294	275	268	258	245	220	207	160	134
10.00	547	542	459	456	487	420	466	458	404	399	389	378	374	360	335	323	318	311	303	262	253	198	169
20.00	575	572	479	477	515	441	502	498	431	428	422	416	413	405	361	354	351	346	342	289	283	224	194

LM53 SHR C0-C180: 10.055 SHR C90-C270: 9.830 SHR Square: 3.120

Luminaire		Measuram.				Lamp	
Code	55-9549-34-M3	Code	55-9549-34-M3		Code	STANDARD S 60W E27 O	
Name	Baliza CUBIK 1x60W E27 A55	Name	Baliza CUBIK 1x60W E27 A55		Number	1	
Line	- LEDS-C4	Date	26-10-2015		Position	Universal	
Luminaire Flux	333.69 lm	Luminaire Power	60.00 W	Efficacy	5.56 lm/W	Efficiency	52.14%
Lamps Flux	640.00 lm	Maximum value	39.59 cd	Position	C=45.00 G=100.00	CG	Asymmetrical

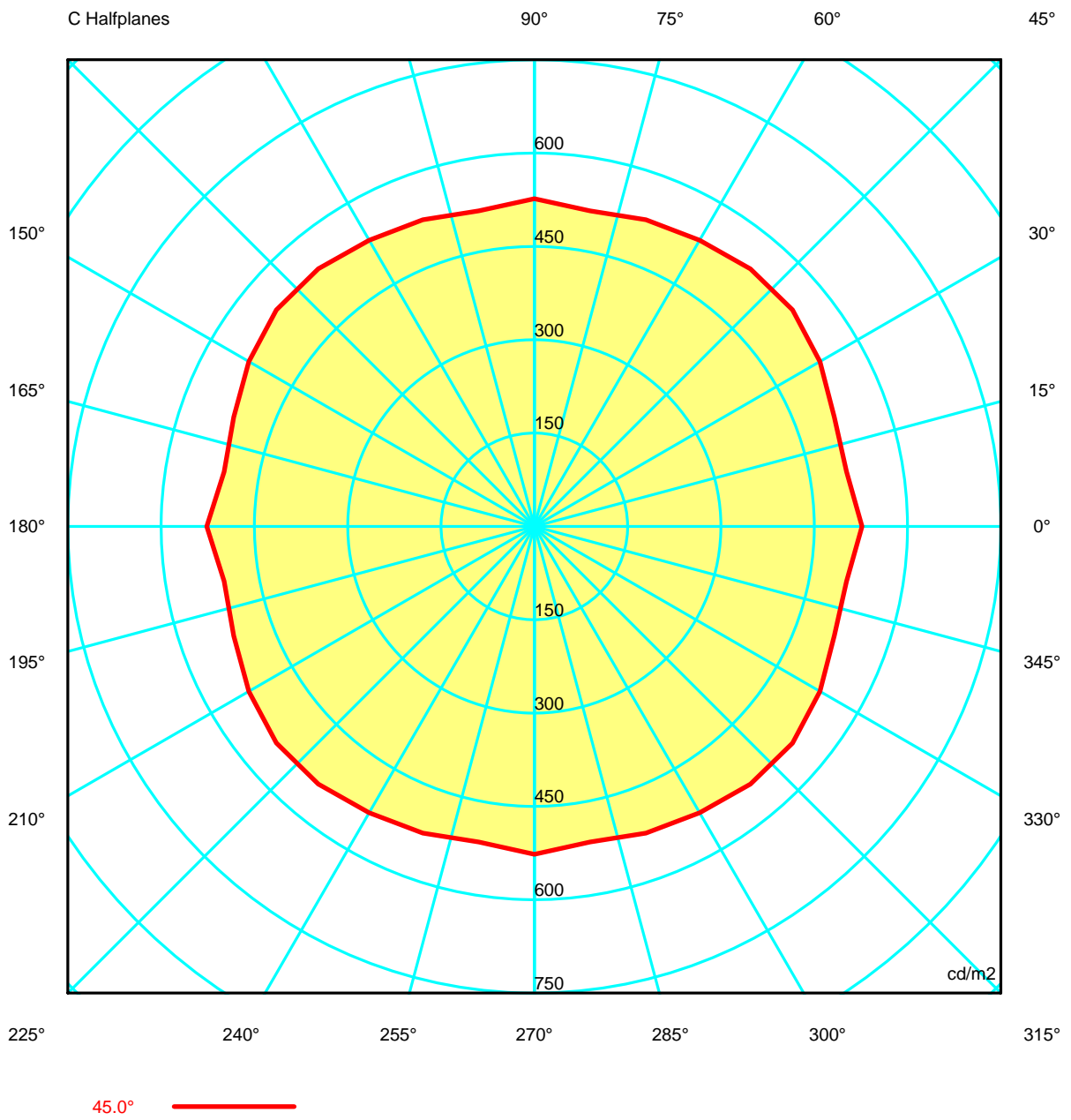
Average Luminance [cd/m <sup>2</sup> ]										
	45°	50°	55°	60°	65°	70°	75°	80°	85°	
0.0°	527	594	687	773	875	988	1119	1262	1417	--
90.0°	527	597	678	766	867	978	1101	1242	1395	--

Flush mounted or transversal view												
		Illumination(lx)										
A	A	2000	1000	750	500		<300					1.15
B	1		2000	1500	1000	750	500	<300				1.5
C					2000		1000	500	<300			1.85
D	2						2000	1000	500	<300		2.2
E	3							2000	1000	500	<300	2.55



Luminaire		Measurem.		Lamp			
Code	55-9549-34-M3	Code	55-9549-34-M3	Code	STANDARD S 60W E27 O		
Name	Baliza CUBIK 1x60W E27 A55	Name	Baliza CUBIK 1x60W E27 A55	Number	1		
Line	- LEDS-C4	Date	26-10-2015	Position	Universal		
Luminaire Flux	333.69 lm	Luminaire Power	60.00 W	Efficacy	5.56 lm/W	Efficiency	52.14%
Lamps Flux	640.00 lm	Maximum value	39.59 cd	Position	C=45.00 G=100.00	CG	Asymmetrical

Luminance



<b>Luminaire</b>	<b>Code</b> 55-9549-34-M3	<b>Measurement</b>	<b>Code</b> 55-9549-34-M3	<b>Lamp</b>	<b>Code</b> STANDARD S 60W E27 O
<b>Name</b>	Baliza CUBIK 1x60W E27 A55	<b>Name</b>	Baliza CUBIK 1x60W E27 A55	<b>Number</b>	1
<b>Line</b>	- LEDS-C4	<b>Date</b>	26-10-2015	<b>Position</b>	Universal

<b>Luminaire Flux</b>	333.69 lm	<b>Luminaire Power</b>	60.00 W	<b>Efficacy</b>	5.56 lm/W	<b>Efficiency</b>	52.14%
-----------------------	-----------	------------------------	---------	-----------------	-----------	-------------------	--------

<b>Lamps Flux</b>	640.00 lm	<b>Maximum value</b>	39.59 cd	<b>Position</b>	C=45.00 G=100.00	<b>CG</b>	Asymmetrical
-------------------	-----------	----------------------	----------	-----------------	------------------	-----------	--------------

**Luminance cd/m2 Table 1/3**

	C 0.00	C 10.00	C 20.00	C 30.00	C 40.00	C 50.00	C 60.00	C 70.00	C 80.00	C 90.00	C 100.00	C 110.00	C 120.00
G 0.0	20.04	20.04	20.04	20.04	20.04	20.04	20.04	20.04	20.04	20.04	20.04	20.04	20.04
G 5.0	29.58	34.94	32.01	26.60	30.91	30.21	26.65	36.60	39.51	34.40	39.51	36.60	26.65
G 10.0	81.43	77.15	72.06	67.68	67.00	68.34	71.54	77.99	84.13	87.59	84.12	77.99	71.54
G 15.0	135.05	136.69	131.47	126.97	135.69	136.18	129.65	138.46	145.06	145.75	145.07	138.45	129.65
G 20.0	204.86	195.16	191.82	196.56	206.81	210.04	205.02	202.10	202.83	208.45	202.83	202.10	205.02
G 25.0	262.60	259.59	262.43	270.30	278.38	279.15	274.19	271.68	267.08	269.00	267.09	271.67	274.19
G 30.0	325.99	317.25	321.35	333.86	342.22	344.00	340.25	333.15	325.49	330.67	325.49	333.15	340.25
G 35.0	389.73	382.89	387.30	399.51	409.34	409.45	402.05	395.64	388.10	394.94	388.11	395.63	402.05
G 40.0	456.06	443.83	449.90	466.51	475.20	472.40	464.20	459.41	452.08	461.28	452.08	459.40	464.20
G 45.0	526.75	509.49	513.17	530.15	541.70	540.47	531.25	524.54	514.99	526.83	515.00	524.53	531.25
G 50.0	594.42	581.61	586.94	602.14	610.61	607.20	599.65	599.16	587.58	597.20	587.59	599.14	599.65
G 55.0	687.30	655.95	653.09	667.28	675.96	675.70	671.00	667.09	657.53	678.48	657.53	667.07	671.00
G 60.0	773.41	741.46	736.08	745.53	750.38	748.08	745.93	751.02	743.37	766.26	743.39	750.99	745.93
G 65.0	874.84	831.18	819.38	825.04	826.96	826.33	828.14	833.21	830.14	867.24	830.15	833.18	828.14
G 70.0	988.31	931.39	912.55	913.46	909.72	906.42	912.53	928.95	932.43	978.12	932.45	928.92	912.53
G 75.0	1118.80	1043.69	1012.73	1005.89	999.19	993.93	1000.13	1023.74	1037.91	1100.94	1037.93	1023.70	1000.13
G 80.0	1262.21	1165.38	1119.07	1102.81	1095.90	1092.56	1101.10	1132.12	1157.54	1241.65	1157.56	1132.07	1101.10
G 85.0	1417.17	1301.98	1242.90	1214.79	1198.10	1193.47	1210.02	1252.69	1288.93	1394.94	1288.95	1252.63	1210.02
G 90.0	1607.64	1444.78	1365.61	1331.19	1307.54	1301.51	1324.86	1378.38	1428.91	1565.38	1428.93	1378.33	1324.86

<b>Luminaire</b>	<b>Code</b> 55-9549-34-M3	<b>Measurement</b>	<b>Code</b> 55-9549-34-M3	<b>Lamp</b>	<b>Code</b> STANDARD S 60W E27 O
<b>Name</b>	Baliza CUBIK 1x60W E27 A55	<b>Name</b>	Baliza CUBIK 1x60W E27 A55	<b>Number</b>	1
<b>Line</b>	- LEDS-C4	<b>Date</b>	26-10-2015	<b>Position</b>	Universal

<b>Luminaire Flux</b>	333.69 lm	<b>Luminaire Power</b>	60.00 W	<b>Efficacy</b>	5.56 lm/W	<b>Efficiency</b>	52.14%
-----------------------	-----------	------------------------	---------	-----------------	-----------	-------------------	--------

<b>Lamps Flux</b>	640.00 lm	<b>Maximum value</b>	39.59 cd	<b>Position</b>	C=45.00 G=100.00	<b>CG</b>	Asymmetrical
-------------------	-----------	----------------------	----------	-----------------	------------------	-----------	--------------

**Luminance cd/m2 Table 2/3**

	C 130.00	C 140.00	C 150.00	C 160.00	C 170.00	C 180.00	C 190.00	C 200.00	C 210.00	C 220.00	C 230.00	C 240.00	C 250.00
G 0.0	20.04	20.04	20.04	20.04	20.04	20.04	20.04	20.04	20.04	20.04	20.04	20.04	20.04
G 5.0	30.24	30.82	26.60	32.50	33.71	29.58	33.71	32.50	26.60	30.82	30.24	26.65	36.60
G 10.0	68.33	67.03	67.68	71.91	77.53	81.43	77.53	71.91	67.68	67.03	68.33	71.54	77.99
G 15.0	136.21	135.60	126.97	131.95	135.46	135.05	135.46	131.95	126.97	135.60	136.21	129.65	138.45
G 20.0	210.02	206.84	196.56	191.66	195.59	204.86	195.59	191.66	196.56	206.84	210.02	205.02	202.10
G 25.0	279.19	278.28	270.30	262.98	258.14	262.60	258.14	262.98	270.30	278.28	279.19	274.19	271.67
G 30.0	344.03	342.14	333.86	321.80	316.08	325.99	316.08	321.80	333.86	342.14	344.03	340.25	333.15
G 35.0	409.52	409.17	399.51	388.27	380.32	389.73	380.32	388.27	399.51	409.17	409.52	402.05	395.63
G 40.0	472.47	475.03	466.51	450.89	441.20	456.06	441.20	450.89	466.51	475.03	472.47	464.20	459.40
G 45.0	540.55	541.50	530.15	514.32	506.41	526.75	506.41	514.32	530.15	541.50	540.55	531.25	524.53
G 50.0	607.33	610.26	602.14	588.96	576.21	594.42	576.21	588.96	602.14	610.26	607.33	599.65	599.14
G 55.0	675.80	675.71	667.28	654.56	651.98	687.30	651.98	654.56	667.28	675.71	675.80	671.00	667.07
G 60.0	748.23	750.00	745.53	738.31	735.41	773.41	735.41	738.31	745.53	750.00	748.23	745.93	750.99
G 65.0	826.49	826.55	825.04	821.79	824.65	874.84	824.65	821.79	825.04	826.55	826.49	828.14	833.18
G 70.0	906.60	909.27	913.46	915.21	924.15	988.31	924.15	915.21	913.46	909.27	906.60	912.53	928.92
G 75.0	994.12	998.71	1005.89	1015.60	1035.83	1118.80	1035.83	1015.60	1005.89	998.71	994.12	1000.13	1023.70
G 80.0	1092.77	1095.38	1102.81	1122.21	1156.72	1262.21	1156.72	1122.21	1102.81	1095.38	1092.77	1101.10	1132.07
G 85.0	1193.73	1197.44	1214.79	1246.85	1291.02	1417.17	1291.02	1246.85	1214.79	1197.44	1193.73	1210.02	1252.63
G 90.0	1301.73	1306.98	1331.19	1368.98	1435.34	1607.64	1435.34	1368.98	1331.19	1306.98	1301.73	1324.86	1378.33

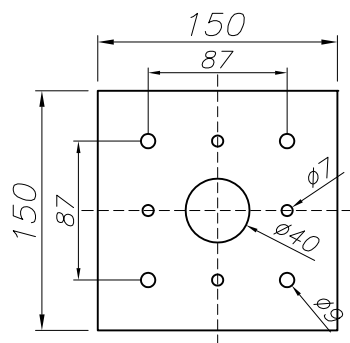
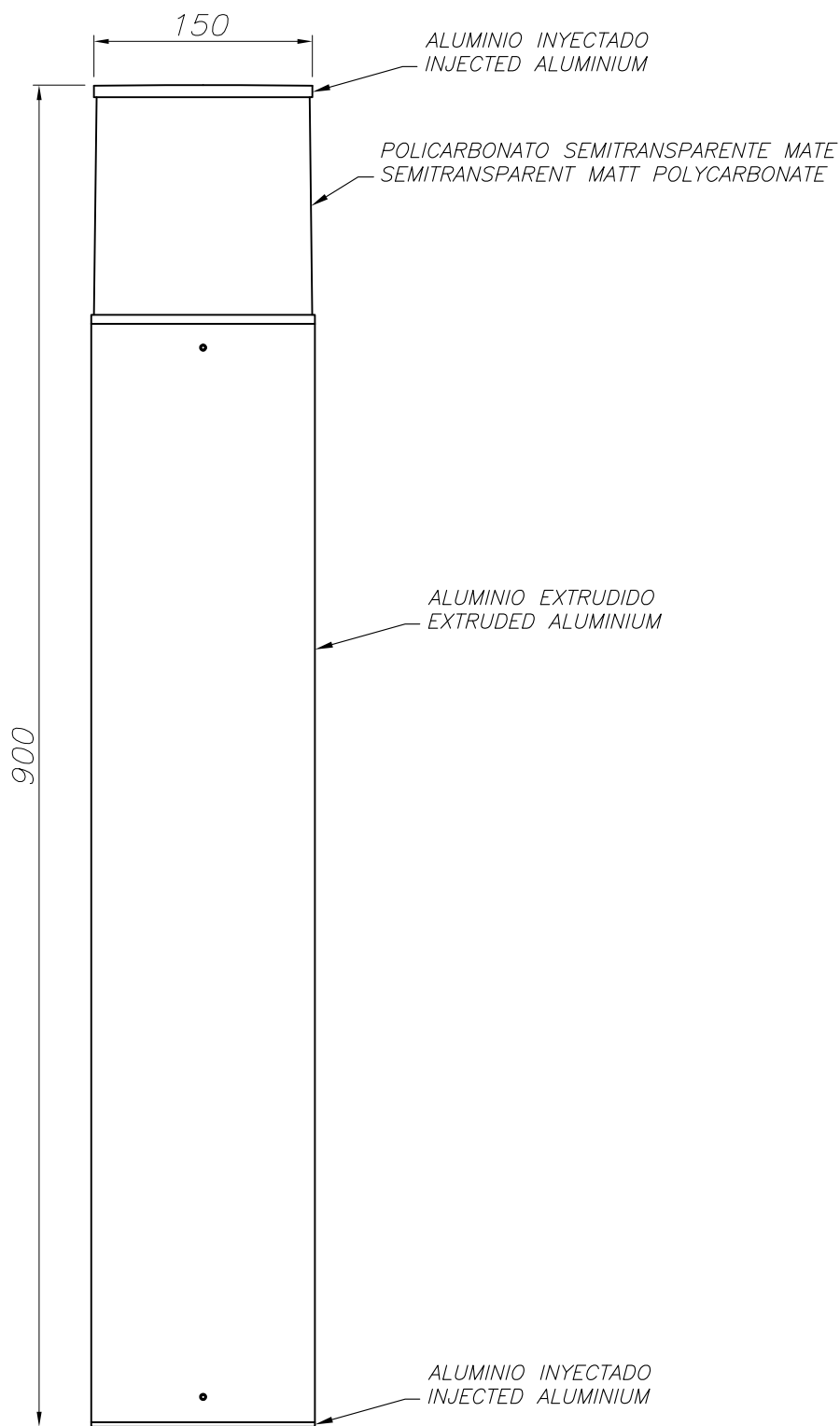
<b>Luminaire</b>	<b>Code</b> 55-9549-34-M3	<b>Measur.</b>	<b>Code</b> 55-9549-34-M3	<b>Lamp</b>	<b>Code</b> STANDARD S 60W E27 O
<b>Name</b>	Baliza CUBIK 1x60W E27 A55	<b>Name</b>	Baliza CUBIK 1x60W E27 A55	<b>Number</b>	1
<b>Line</b>	- LEDS-C4	<b>Date</b>	26-10-2015	<b>Position</b>	Universal

<b>Luminaire Flux</b>	333.69 lm	<b>Luminaire Power</b>	60.00 W	<b>Efficacy</b>	5.56 lm/W	<b>Efficiency</b>	52.14%
<b>Lamps Flux</b>	640.00 lm	<b>Maximum value</b>	39.59 cd	<b>Position</b>	C=45.00 G=100.00	<b>CG</b>	Asymmetrical

**Luminance cd/m2 Table 3/3**

	C 260.00	C 270.00	C 280.00	C 290.00	C 300.00	C 310.00	C 320.00	C 330.00	C 340.00	C 350.00
G 0.0	20.04	20.04	20.04	20.04	20.04	20.04	20.04	20.04	20.04	20.04
G 5.0	39.51	34.40	39.51	36.60	26.65	30.21	30.91	26.60	32.01	34.94
G 10.0	84.12	87.59	84.13	77.99	71.54	68.34	67.00	67.68	72.06	77.15
G 15.0	145.07	145.75	145.06	138.46	129.65	136.18	135.69	126.97	131.47	136.69
G 20.0	202.83	208.45	202.83	202.10	205.02	210.04	206.81	196.56	191.82	195.16
G 25.0	267.09	269.00	267.08	271.68	274.19	279.15	278.38	270.30	262.43	259.59
G 30.0	325.49	330.67	325.49	333.15	340.25	344.00	342.22	333.86	321.35	317.25
G 35.0	388.11	394.94	388.10	395.64	402.05	409.45	409.34	399.51	387.30	382.89
G 40.0	452.08	461.28	452.08	459.41	464.20	472.40	475.20	466.51	449.90	443.83
G 45.0	515.00	526.83	514.99	524.54	531.25	540.47	541.70	530.15	513.17	509.49
G 50.0	587.59	597.20	587.58	599.16	599.65	607.20	610.61	602.14	586.94	581.61
G 55.0	657.53	678.48	657.53	667.09	671.00	675.70	675.96	667.28	653.09	655.95
G 60.0	743.39	766.26	743.37	751.02	745.93	748.08	750.38	745.53	736.08	741.46
G 65.0	830.15	867.24	830.14	833.21	828.14	826.33	826.96	825.04	819.38	831.18
G 70.0	932.45	978.12	932.43	928.95	912.53	906.42	909.72	913.46	912.55	931.39
G 75.0	1037.93	1100.94	1037.91	1023.74	1000.13	993.93	999.19	1005.89	1012.73	1043.69
G 80.0	1157.56	1241.65	1157.54	1132.12	1101.10	1092.56	1095.90	1102.81	1119.07	1165.38
G 85.0	1288.95	1394.94	1288.93	1252.69	1210.02	1193.47	1198.10	1214.79	1242.90	1301.98
G 90.0	1428.93	1565.38	1428.91	1378.38	1324.86	1301.51	1307.54	1331.19	1365.61	1444.78





PLANTILLA DE INSTALACION  
INSTALLATION TEMPLATE

