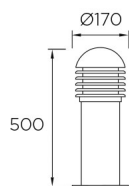


BALIZAS

55-9342-Z5-M3

Bollard IP44 BALIZAS G12 70W Urban grey 2035lm



TECHNICAL FEATURES

IP44 IK08



Power (W) : Max. power 70W

Total power consumption of light (W) : 7W

Raw lumens : 2035

Raw lm/W : 291

Structure material : Aluminium

Structure finish : Urban grey

Diffuser material : Polycarbonate

Diffuser finish : Matt

Recommended light bulb : G12

Equipment included : Yes, Magnetic

Voltage / frequency : 100-240VAC/50-60Hz

Warranty : 2 Years

Max. temperature : 25°C

Energy efficiency : A+

LUMINOTECHNIC FEATURES

Lampholder: 1 x G12

LOGISTICS

Net weight (kg): 3.66

Packaged weight (kg): 4

Packaging: 180mm x 180mm x 520mm

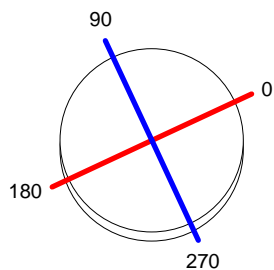


4 Un

| | | | | | |
|----------------------------|----------------------|-----------------------------|----------------------|--------------|------------|
| Luminaire | | Measur. | | Lamp | |
| Code | 55-9342-34-M2 | Code | 55-9342-34-M2 | Code | CDMT70 |
| Name | Baliza 70W HIT-T G12 | Name | Baliza 70W HIT-T G12 | Number | 1 |
| Line | Eulumdat | Date | 10-11-2008 | Position | |
| Efficiency | 31.79% | Coordinate system | CG | Total Flux | 6400.00 lm |
| Maximum value | 412.37 cd | Position | C=0.00 G=70.00 | Asymmetrical | |
| Round Luminaire | Diam. | 150 mm | Height | 500 mm | |
| Round Luminous Area | Diam. | 150 mm | Height | 130 mm | |
| Horizontal Luminous Area | 0.017671 m2 | Emitting area on Plane 180° | 0.019500 m2 | | |
| Emitting area on Plane 0° | 0.019500 m2 | Emitting area on Plane 270° | 0.019500 m2 | | |
| Emitting area on Plane 90° | 0.019500 m2 | Glare area at 76° | 0.023196 m2 | | |
| Symmetry Type | Asymmetrical | Maximum Gamma Angle | 180 | | |
| Measurement Distance | 0.00 | Measurement Flux | 6400.00 lm | | |
| Operator | OxyTech | Source voltage | | | |
| Temperature | 25.00 °C | Source current | | | |
| Humidity | 60.00 % | Photocell | | | |
| Notes | | | | | |

| Luminaire Lamps | | | | | |
|-----------------|---------------|------------------|-----------|----------|------|
| Line | Code | Name | Flux [lm] | Pow. [W] | Q.ty |
| Eulumdat | CDMT70 | CDMT70 - 70.00 W | 6400.00 | 70.00 | 1 |
| C.I.E. | 5 28 66 73 32 | D DIN 5040 | | B11 | |
| F UTE | -- | B NBN | | BZ 10 | |

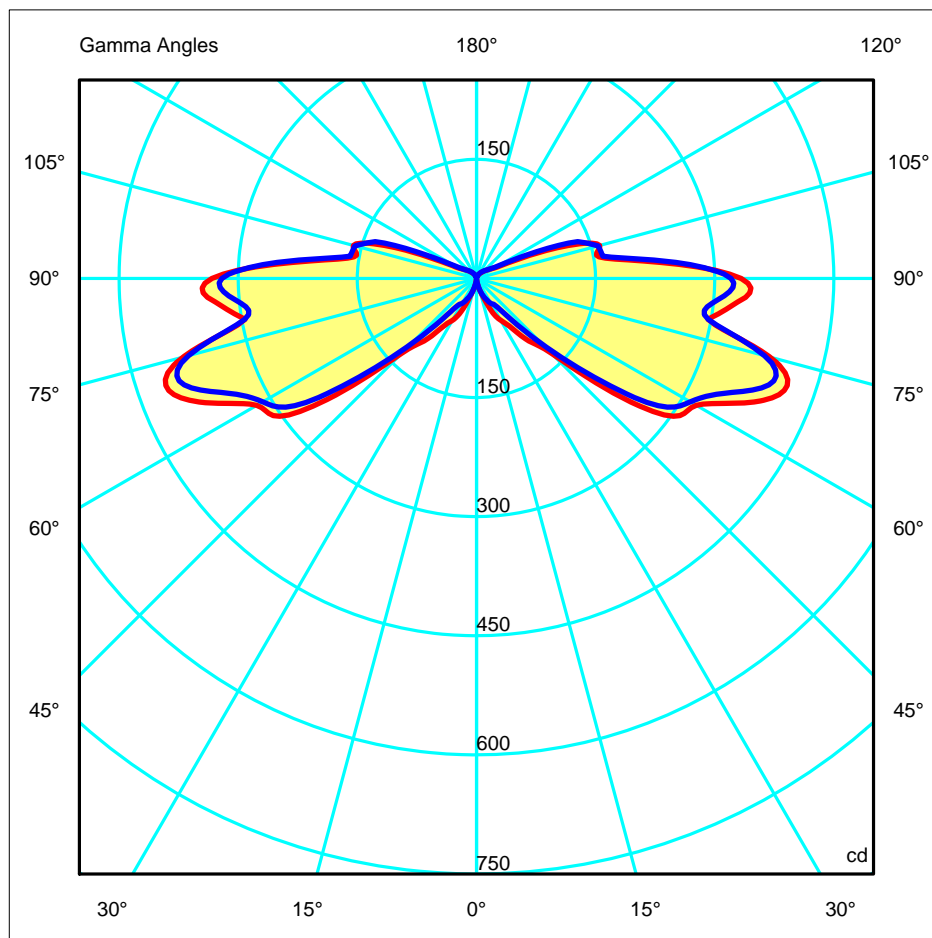
Diam=150mm



C Halfplanes

180.0 — 0.0
270.0 — 90.0

ULOR 8.49 %
DLOR 23.30 %
RN 26.71 %

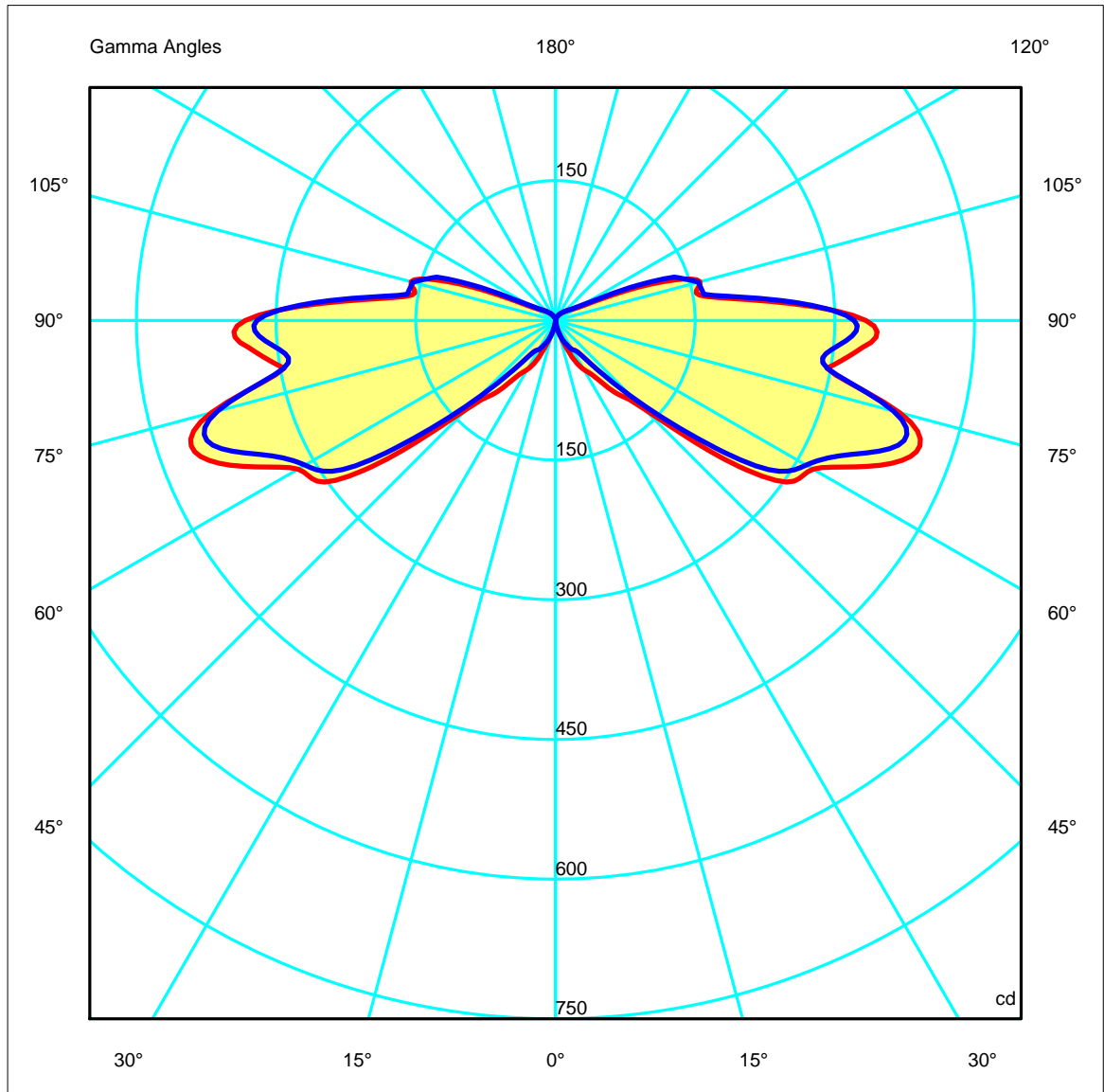
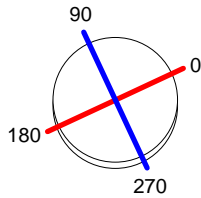


| | | | | | |
|------------------|----------------------|-------------------|----------------------|-------------|------------|
| Luminaire | | Measur. | | Lamp | |
| Code | 55-9342-34-M2 | Code | 55-9342-34-M2 | Code | CDMT70 |
| Name | Baliza 70W HIT-T G12 | Name | Baliza 70W HIT-T G12 | Number | 1 |
| Line | Eulumat | Date | 10-11-2008 | Position | |
| Efficiency | 31.79% | Coordinate system | CG | Total Flux | 6400.00 lm |

Diam=150mm

C Halfplanes

180.0 ——— 0.0
 270.0 ——— 90.0



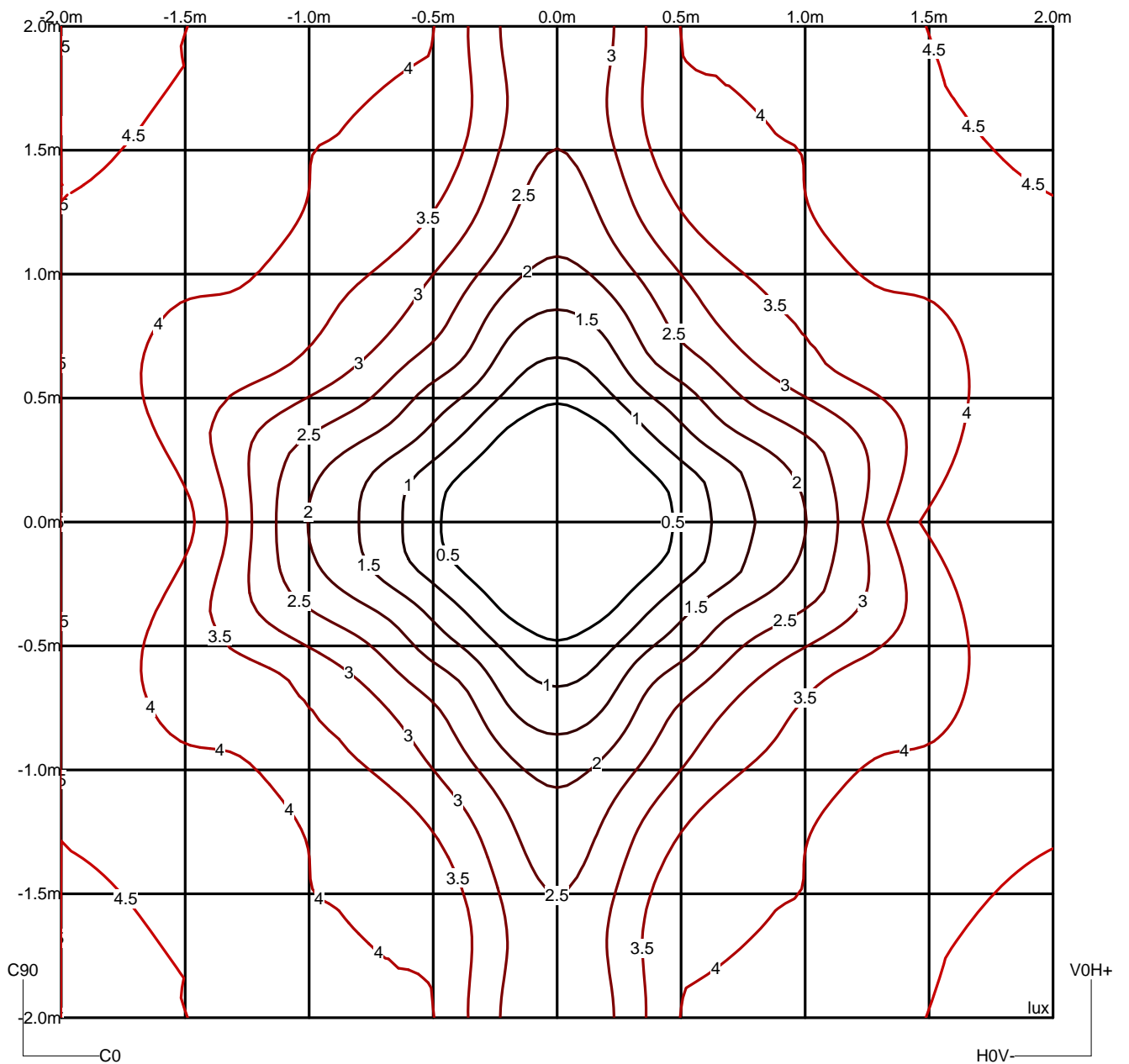
| | | | | | |
|------------------|----------------------|-------------------|----------------------|-------------|------------|
| Luminaire | | Measur. | | Lamp | |
| Code | 55-9342-34-M2 | Code | 55-9342-34-M2 | Code | CDMT70 |
| Name | Baliza 70W HIT-T G12 | Name | Baliza 70W HIT-T G12 | Number | 1 |
| Line | Eulmdat | Date | 10-11-2008 | Position | |
| <hr/> | | <hr/> | | <hr/> | |
| Efficiency | 31.79% | Coordinate system | CG | Total Flux | 6400.00 lm |
| <hr/> | | <hr/> | | <hr/> | |

Left beam angle not found, gamma = -71

| | | | | | |
|------------------|----------------------|-------------------|----------------------|-------------|------------|
| Luminaire | | Measur. | | Lamp | |
| Code | 55-9342-34-M2 | Code | 55-9342-34-M2 | Code | CDMT70 |
| Name | Baliza 70W HIT-T G12 | Name | Baliza 70W HIT-T G12 | Number | 1 |
| Line | Eulumdat | Date | 10-11-2008 | Position | |
| Efficiency | 31.79% | Coordinate system | CG | Total Flux | 6400.00 lm |

Isolux (Floor)

Luminaire position X=0.00m Y=0.00m Z=3.00m



Luminaire

Code 55-9342-34-M2
 Name Baliza 70W HIT-T G12
 Line Eulumdat

Measur.

Code 55-9342-34-M2
 Name Baliza 70W HIT-T G12
 Date 10-11-2008

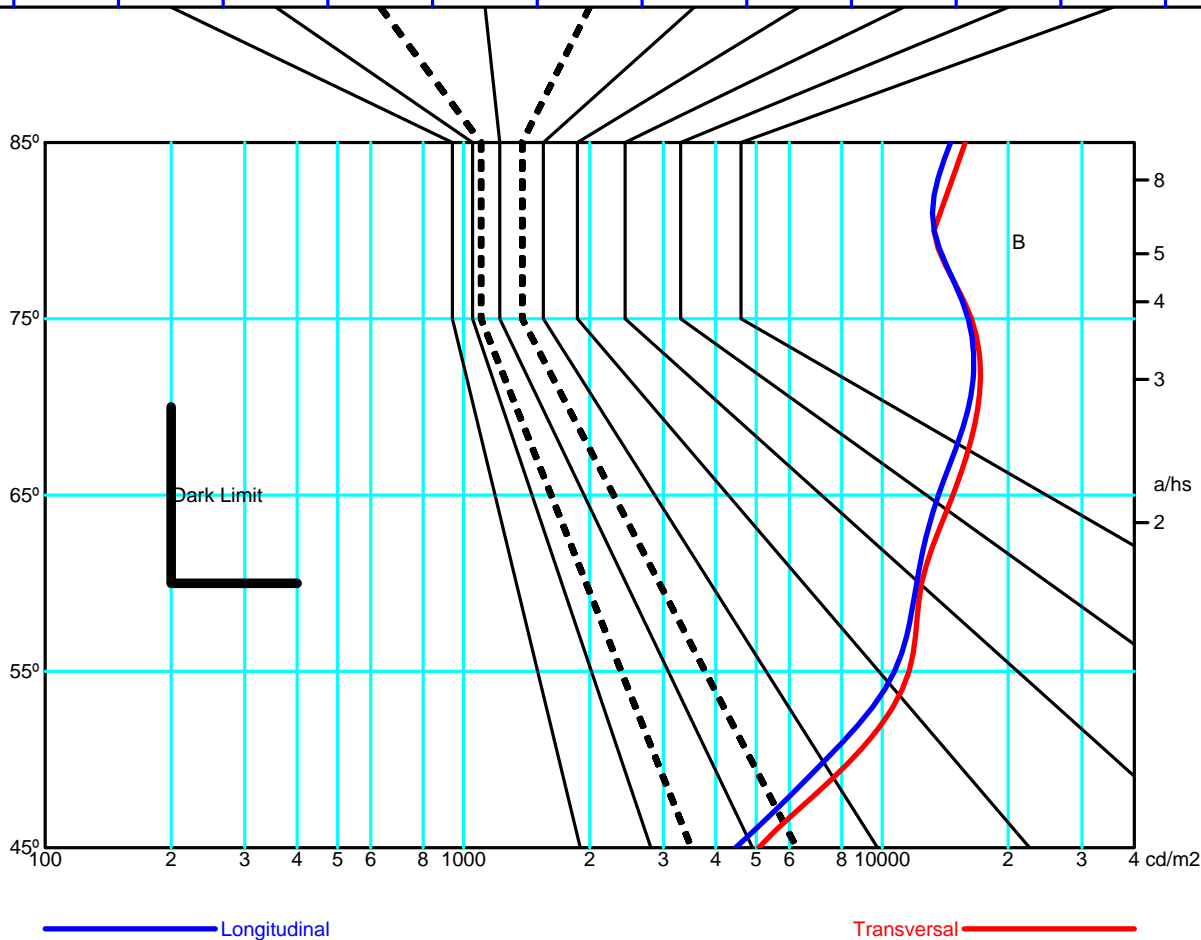
Lamp

Code CDMT70
 Number 1
 Position

Efficiency 31.79% Coordinate system CG Total Flux 6400.00 lm

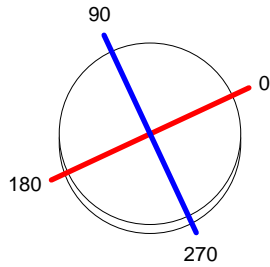
| | | Average Luminance [cd/m ²] | | | | | | | | | | |
|-------|--|--|------|-------|-------|-------|-------|-------|-------|-------|-----|--|
| | | 0.0° | 45° | 50° | 55° | 60° | 65° | 70° | 75° | 80° | 85° | |
| 0.0° | | 5065 | 8448 | 11590 | 12420 | 14749 | 16923 | 16338 | 13288 | 15795 | --- | |
| 90.0° | | 4464 | 7336 | 10700 | 12080 | 13622 | 16074 | 16043 | 13311 | 14565 | --- | |

| Flush mounted or transversal view | | | | | | | | | | | | |
|-----------------------------------|---|------------------|------|------|------|-----|------|------|------|------|------|------|
| | | Illumination(lx) | | | | | | | | | | |
| A | A | 2000 | 1000 | 750 | 500 | | <300 | | | | 1.15 | |
| B | 1 | | 2000 | 1500 | 1000 | 750 | 500 | <300 | | | 1.5 | |
| C | | | | | 2000 | | 1000 | 500 | <300 | | 1.85 | |
| D | 2 | | | | | | 2000 | 1000 | 500 | <300 | 2.2 | |
| E | 3 | | | | | | | 2000 | 1000 | 500 | <300 | 2.55 |



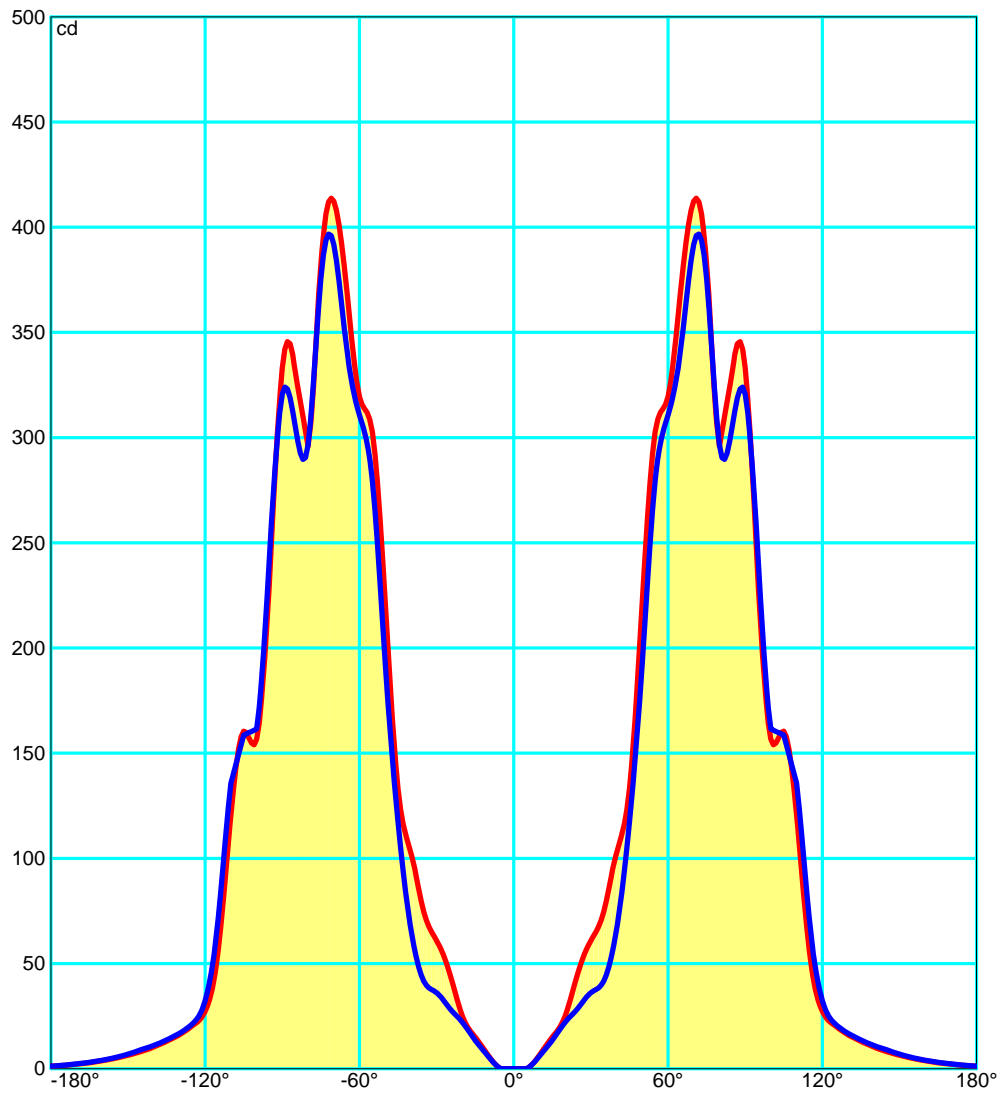
| | | | | | |
|------------------|----------------------|-------------------|----------------------|-------------|------------|
| Luminaire | | Measur. | | Lamp | |
| Code | 55-9342-34-M2 | Code | 55-9342-34-M2 | Code | CDMT70 |
| Name | Baliza 70W HIT-T G12 | Name | Baliza 70W HIT-T G12 | Number | 1 |
| Line | Eulumdat | Date | 10-11-2008 | Position | |
| Efficiency | 31.79% | Coordinate system | CG | Total Flux | 6400.00 lm |

Diam=150mm



C Halfplanes

180.0 ——— 0.0
270.0 ——— 90.0



| | | | | | |
|------------------|----------------------|-------------------|----------------------|-------------|------------|
| Luminaire | | Measur. | | Lamp | |
| Code | 55-9342-34-M2 | Code | 55-9342-34-M2 | Code | CDMT70 |
| Name | Baliza 70W HIT-T G12 | Name | Baliza 70W HIT-T G12 | Number | 1 |
| Line | Eulumdat | Date | 10-11-2008 | Position | |
| Efficiency | 31.79% | Coordinate system | CG | Total Flux | 6400.00 lm |

UGR
S = 0.250

| Reflectancies | | | | | | | | | | |
|----------------|-----------------|------|------|------|------|---------------|------|------|------|------|
| Ceiling/Cavity | 0.7 | 0.7 | 0.5 | 0.5 | 0.3 | 0.7 | 0.7 | 0.5 | 0.5 | 0.3 |
| Walls | 0.5 | 0.3 | 0.5 | 0.3 | 0.3 | 0.5 | 0.3 | 0.5 | 0.3 | 0.3 |
| WorkingPlane | 0.2 | 0.2 | 0.2 | 0.2 | 0.2 | 0.2 | 0.2 | 0.2 | 0.2 | 0.2 |
| RoomDimensions | ViewedCrosswise | | | | | ViewedEndwise | | | | |
| x=2H y=2H | 19.5 | 20.9 | 20.1 | 21.6 | 22.4 | 19.5 | 20.9 | 20.1 | 21.6 | 22.4 |
| x=2H y=3H | 23.4 | 24.8 | 24.1 | 25.5 | 26.3 | 23.4 | 24.7 | 24.1 | 25.5 | 26.3 |
| x=2H y=4H | 25.1 | 26.4 | 25.8 | 27.1 | 28.0 | 25.1 | 26.3 | 25.8 | 27.1 | 28.0 |
| x=2H y=6H | 26.2 | 27.4 | 26.9 | 28.2 | 29.1 | 26.2 | 27.4 | 26.9 | 28.2 | 29.1 |
| x=2H y=8H | 26.8 | 27.9 | 27.5 | 28.7 | 29.6 | 26.7 | 27.8 | 27.4 | 28.6 | 29.6 |
| x=2H y=12H | 27.4 | 28.5 | 28.1 | 29.3 | 30.0 | 27.2 | 28.3 | 28.0 | 29.1 | 30.0 |
| x=4H y=2H | 20.9 | 22.2 | 21.6 | 22.9 | 23.8 | 20.9 | 22.2 | 21.6 | 22.9 | 23.8 |
| x=4H y=3H | 24.7 | 25.8 | 25.5 | 26.6 | 27.5 | 24.7 | 25.8 | 25.5 | 26.6 | 27.5 |
| x=4H y=4H | 26.5 | 27.5 | 27.2 | 28.2 | 29.2 | 26.5 | 27.5 | 27.2 | 28.3 | 29.2 |
| x=4H y=6H | 27.6 | 28.6 | 28.4 | 29.3 | 30.4 | 27.7 | 28.6 | 28.4 | 29.4 | 30.4 |
| x=4H y=8H | 28.2 | 29.1 | 29.0 | 29.9 | 30.8 | 28.2 | 29.1 | 29.0 | 29.9 | 30.8 |
| x=4H y=12H | 28.9 | 29.7 | 29.7 | 30.5 | 31.4 | 28.8 | 29.6 | 29.6 | 30.5 | 31.4 |
| x=8H y=4H | 27.1 | 27.9 | 27.8 | 28.7 | 29.7 | 27.1 | 28.0 | 27.9 | 28.7 | 29.7 |
| x=8H y=6H | 28.4 | 29.1 | 29.2 | 30.0 | 31.0 | 28.5 | 29.2 | 29.2 | 30.0 | 31.0 |
| x=8H y=8H | 29.1 | 29.8 | 29.9 | 30.6 | 31.7 | 29.1 | 29.8 | 30.0 | 30.7 | 31.7 |
| x=8H y=12H | 30.0 | 30.6 | 30.8 | 31.4 | 32.4 | 29.9 | 30.5 | 30.8 | 31.4 | 32.4 |
| x=12H y=4H | 27.1 | 28.0 | 27.9 | 28.8 | 29.8 | 27.2 | 28.0 | 27.9 | 28.8 | 29.8 |
| x=12H y=6H | 28.6 | 29.3 | 29.4 | 30.1 | 31.1 | 28.6 | 29.3 | 29.4 | 30.1 | 31.1 |
| x=12H y=8H | 29.4 | 29.9 | 30.2 | 30.8 | 31.8 | 29.4 | 30.0 | 30.2 | 30.8 | 31.8 |

Luminaire

Code 55-9342-34-M2
 Name Baliza 70W HIT-T G12
 Line Eulumdat

Measur.

Code 55-9342-34-M2
 Name Baliza 70W HIT-T G12
 Date 10-11-2008

Lamp

Code CDMT70
 Number 1
 Position

Efficiency 31.79% Coordinate system CG Total Flux 6400.00 lm

Total Flux=6400.00 Luminaire Flux=2034.72

| | | | | | | | | | | | | |
|-----|------|------|------|------|------|------|------|------|------|------|-------|-------|
| RI | 0.60 | 0.80 | 1.00 | 1.25 | 1.50 | 2.00 | 2.50 | 3.00 | 4.00 | 5.00 | 10.00 | 20.00 |
| DRR | 0.03 | 0.07 | 0.11 | 0.16 | 0.21 | 0.30 | 0.38 | 0.43 | 0.52 | 0.59 | 0.74 | 0.85 |
| RC | - | - | - | - | - | - | - | - | - | - | - | 10 |

Zonal Flux per 1000 Lumen

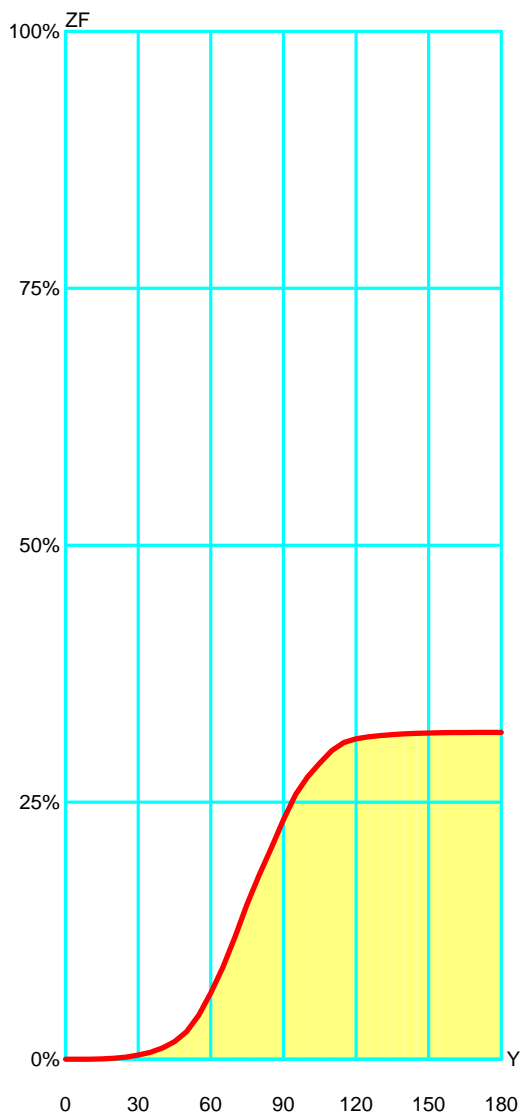
| | | | | | | | | | | | | | | | | | | |
|-------|----|----|----|----|----|----|-----|-----|-----|-----|-----|-----|-----|-----|-----|-----|-----|-----|
| Y° | 10 | 20 | 30 | 40 | 50 | 60 | 70 | 80 | 90 | 100 | 110 | 120 | 130 | 140 | 150 | 160 | 170 | 180 |
| ZF(Y) | 0 | 1 | 4 | 11 | 27 | 64 | 119 | 179 | 233 | 275 | 300 | 312 | 315 | 317 | 317 | 318 | 318 | 318 |

CIE Flux Codes

5 28 66 73 32

| | |
|------------|--------------------|
| C.I.E. | -/-/-/-/-/-/-/-/10 |
| D DIN 5040 | B11 |
| F UTE | -- |
| B NBN | BZ 10 |
| RN | 26.71407 % |
| BLF | 1.0 |

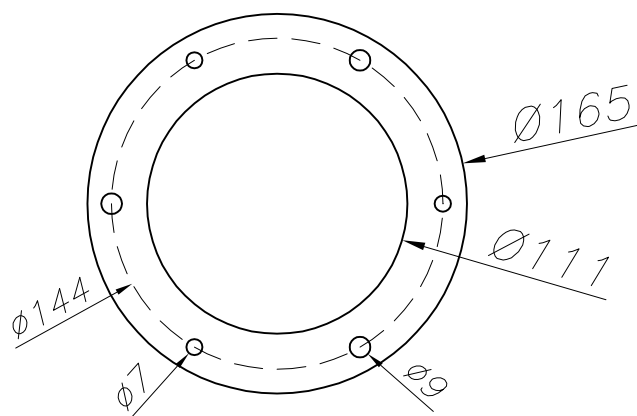
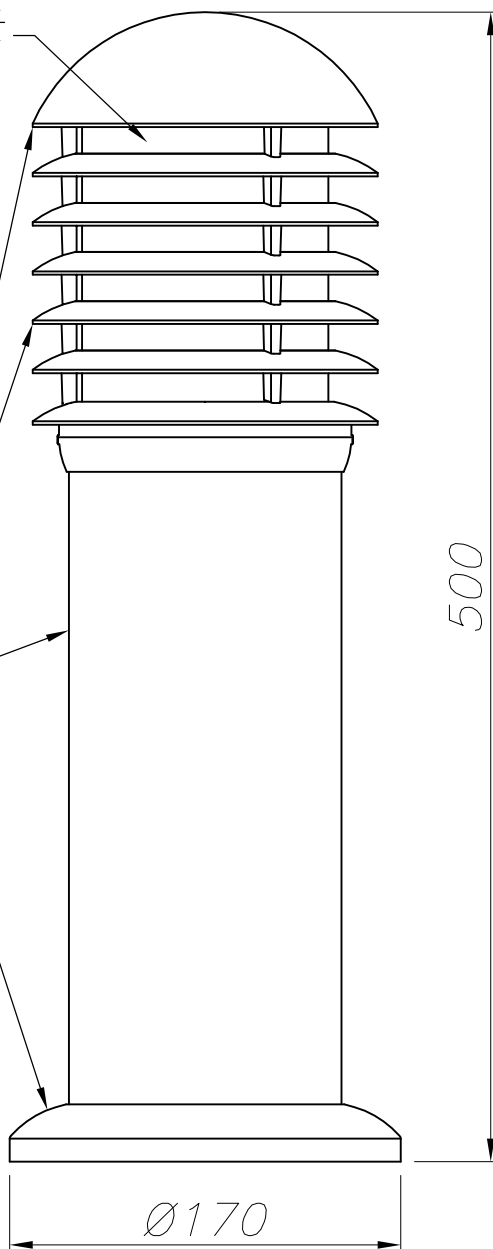
| | |
|------|------------|
| LOR | 31.79257 % |
| ULOR | 8.49309 % |
| DLOR | 23.29948 % |
| UFF | 26.71407 % |
| DFF | 73.28593 % |
| FFR | 36.45184 % |



| Zonal Flux | | | | |
|------------|-------|--------|----------|---------|
| Gamma ° | Flux | Sum lm | Flux [%] | Sum [%] |
| 0° | 0.00 | 0.00 | 0.00% | 0.00% |
| 5° | 0.00 | 0.00 | 0.00% | 0.00% |
| 10° | 0.04 | 0.04 | 0.01% | 0.01% |
| 15° | 0.24 | 0.29 | 0.08% | 0.09% |
| 20° | 0.62 | 0.91 | 0.19% | 0.29% |
| 25° | 1.18 | 2.09 | 0.37% | 0.66% |
| 30° | 1.91 | 3.99 | 0.60% | 1.26% |
| 35° | 2.79 | 6.78 | 0.88% | 2.13% |
| 40° | 4.11 | 10.89 | 1.29% | 3.43% |
| 45° | 6.22 | 17.11 | 1.96% | 5.38% |
| 50° | 9.74 | 26.85 | 3.06% | 8.45% |
| 55° | 15.97 | 42.82 | 5.02% | 13.47% |
| 60° | 21.62 | 64.44 | 6.80% | 20.27% |
| 65° | 25.18 | 89.62 | 7.92% | 28.19% |
| 70° | 29.53 | 119.15 | 9.29% | 37.48% |
| 75° | 31.81 | 150.96 | 10.01% | 47.48% |
| 80° | 28.45 | 179.41 | 8.95% | 56.43% |
| 85° | 26.00 | 205.41 | 8.18% | 64.61% |
| 90° | 27.58 | 232.99 | 8.68% | 73.29% |
| 95° | 24.51 | 257.51 | 7.71% | 81.00% |
| 100° | 17.19 | 274.70 | 5.41% | 86.40% |
| 105° | 13.37 | 288.07 | 4.21% | 90.61% |
| 110° | 12.10 | 300.16 | 3.80% | 94.41% |
| 115° | 7.92 | 308.08 | 2.49% | 96.90% |
| 120° | 3.58 | 311.66 | 1.13% | 98.03% |
| 125° | 1.92 | 313.58 | 0.60% | 98.63% |
| 130° | 1.28 | 314.85 | 0.40% | 99.03% |
| 135° | 0.95 | 315.81 | 0.30% | 99.33% |
| 140° | 0.70 | 316.51 | 0.22% | 99.55% |
| 145° | 0.51 | 317.02 | 0.16% | 99.71% |
| 150° | 0.35 | 317.37 | 0.11% | 99.82% |
| 155° | 0.24 | 317.60 | 0.07% | 99.90% |
| 160° | 0.15 | 317.76 | 0.05% | 99.95% |
| 165° | 0.09 | 317.85 | 0.03% | 99.98% |
| 170° | 0.05 | 317.90 | 0.02% | 99.99% |
| 175° | 0.02 | 317.92 | 0.01% | 100.00% |
| 180° | 0.01 | 317.93 | 0.00% | 100.00% |

POLICARBONATO TRANSPARENTE MATE
TRANSPARENT MATT POLYCARBONATE

ALUMINIO DE ALTA PUREZA
HIGH QUALITY ALUMINUM



PLANTILLA DE INSTALACIÓN
INSTALLATION TEMPLATE



LED S-C4

OUTDOOR

55-9342
55-9343

