

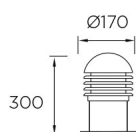


Balizas Grid 300mm

55-9318-Z5-M3

Leds C4 Team

Bollard IP44 Balizas Grid 300mm E27 100W Urban grey



TECHNICAL FEATURES

IP44 IK08



Power (W) : Max. power 100W

Total power consumption of light (W) : 100W

Structure material : Aluminium

Structure finish : Urban grey

Diffuser material : Polycarbonate

Diffuser finish : Matt

Recommended light bulb : E27

Voltage / frequency : 100-240V/50-60Hz

Warranty : 5 Years

Max. temperature : 25°C

Seaside : No

Energy efficiency : Light bulb not included

LUMINOTECHNIC FEATURES

Lampholder: 1 x E27

LOGISTICS

Net weight (kg): 1.49

Packaged weight (kg): 1.94

Packaging: 180mm x 180mm x 320mm



6 Un





71-9955-48-48

Floor mounting bolts

Structure material: Steel, Stainless steel AISI304

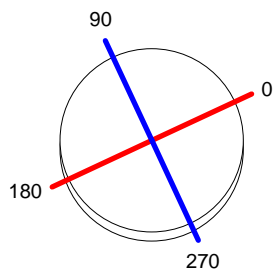
Dimensions: NA x NA x NA

Net weight (kg): 0.27

Luminaire		Measur.		Lamp	
Code	55-9318-34-M2	Code	55-9318-34-M2	Code	DELN2341
Name	Baliza 1x23W TC-EL E27	Name	Baliza 1x23W TC-EL E27	Number	1
Line	Eulumdat	Date	15-11-2008	Position	
Efficiency	21.97%	Coordinate system	CG	Total Flux	1500.00 lm
Maximum value	64.71 cd	Position	C=30.00 G=70.00	Asymmetrical	
Round Luminaire	Diam.	120 mm	Height	300 mm	
Round Luminous Area	Diam.	120 mm	Height	100 mm	
Horizontal Luminous Area	0.011310 m2	Emitting area on Plane 180°	0.012000 m2		
Emitting area on Plane 0°	0.012000 m2	Emitting area on Plane 270°	0.012000 m2		
Emitting area on Plane 90°	0.012000 m2	Glare area at 76°	0.014380 m2		
Symmetry Type	Asymmetrical	Maximum Gamma Angle	180		
Measurement Distance	0.00	Measurement Flux	1500.00 lm		
Operator	OxyTech	Source voltage			
Temperature	25.00 °C	Source current			
Humidity	60.00 %	Photocell			
Notes					

Luminaire Lamps					
Line	Code	Name	Flux [lm]	Pow. [W]	Q.ty
Eulumdat	DELN2341	DELN2341 - 23.00 W	1500.00	23.00	1
C.I.E.	6 30 69 75 22	D DIN 5040			
F UTE	--	B NBN		B11	
				BZ 10	

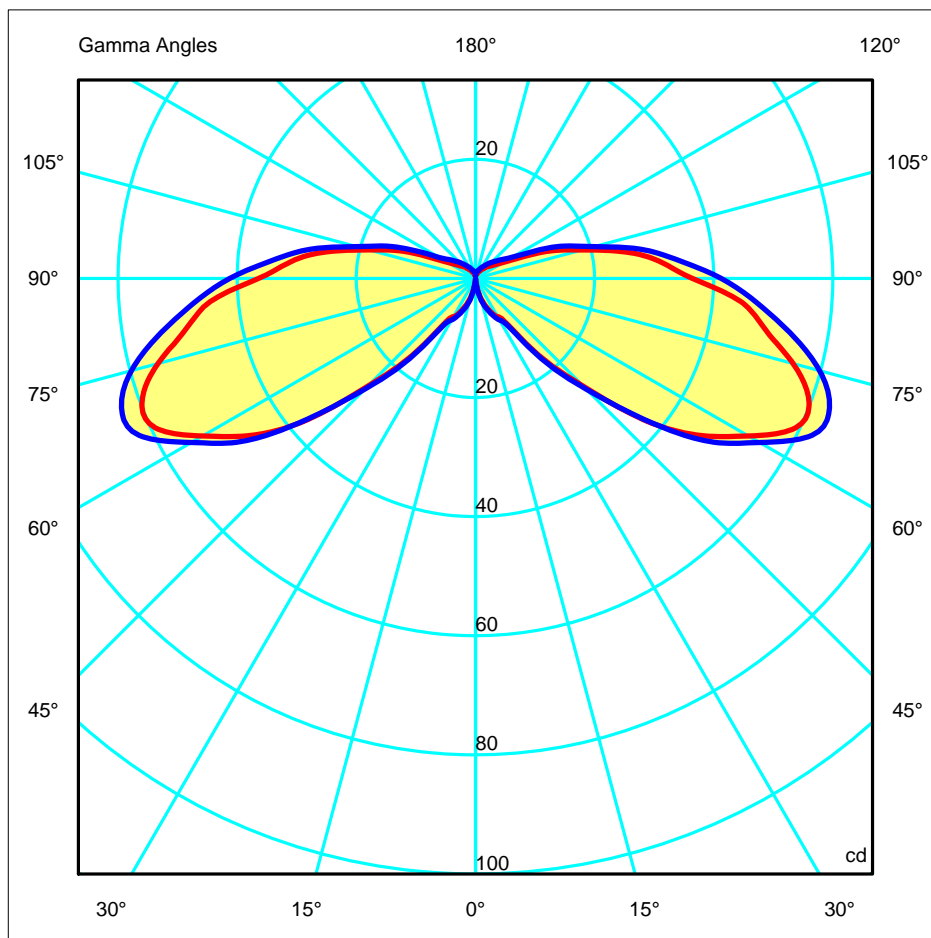
Diam=120mm



C Halfplanes

180.0 — 0.0
270.0 — 90.0

ULOR 5.40 %
DLOR 16.57 %
RN 24.56 %

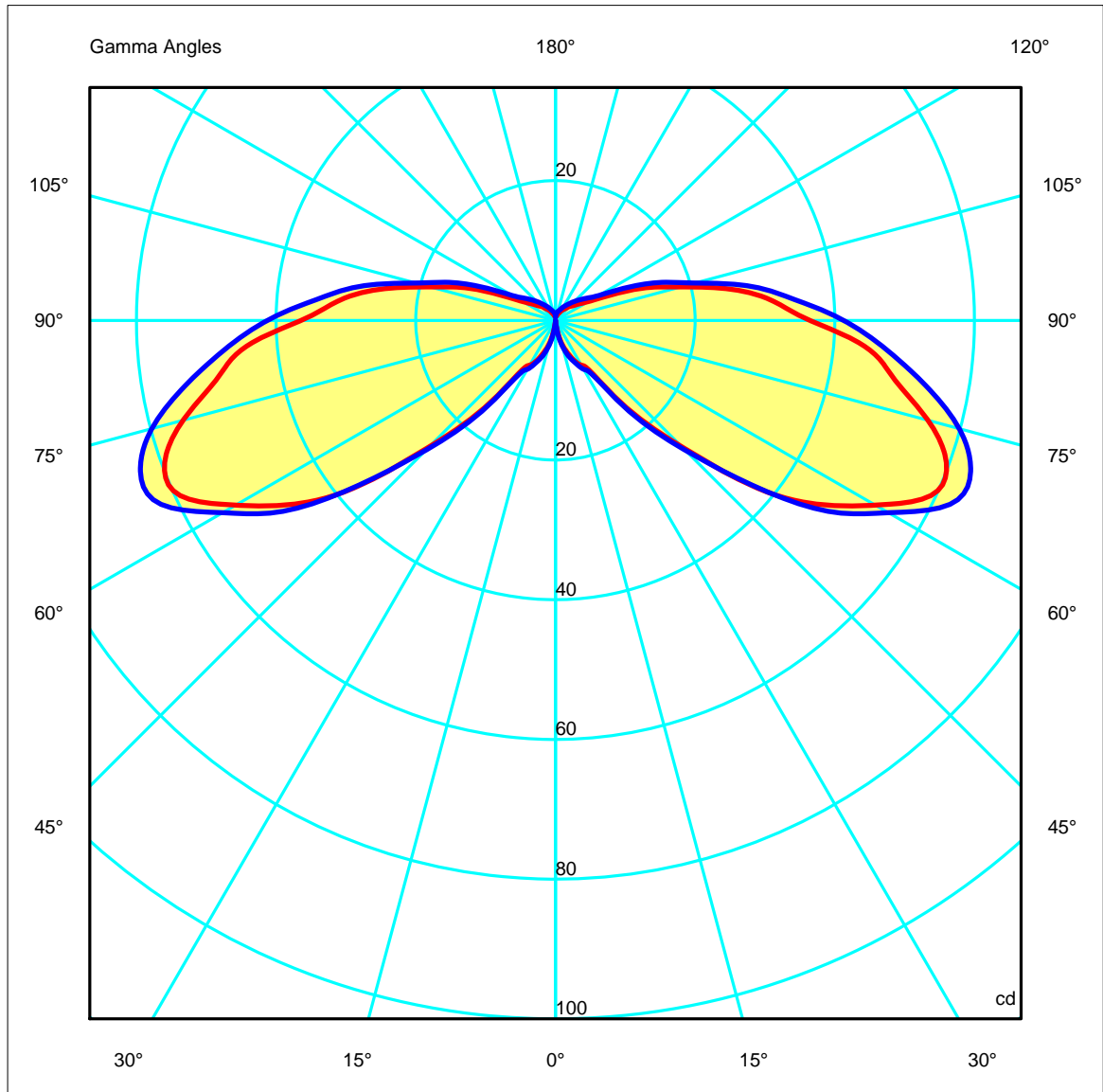
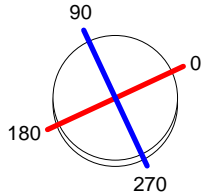


Luminaire		Measur.		Lamp	
Code	55-9318-34-M2	Code	55-9318-34-M2	Code	DELN2341
Name	Baliza 1x23W TC-EL E27	Name	Baliza 1x23W TC-EL E27	Number	1
Line	Eulumat	Date	15-11-2008	Position	
Efficiency	21.97%	Coordinate system	CG	Total Flux	1500.00 lm

Diam=120mm

C Halfplanes

180.0 ——— 0.0
 270.0 ——— 90.0



Luminaire		Measur.		Lamp	
Code	55-9318-34-M2	Code	55-9318-34-M2	Code	DELN2341
Name	Baliza 1x23W TC-EL E27	Name	Baliza 1x23W TC-EL E27	Number	1
Line	Eulmdat	Date	15-11-2008	Position	
Efficiency 21.97%		Coordinate system CG		Total Flux 1500.00 lm	

Left beam angle not found, gamma = -68

Luminaire

Code 55-9318-34-M2
 Name Baliza 1x23W TC-EL E27
 Line Eulumdat

Measuram.

Code 55-9318-34-M2
 Name Baliza 1x23W TC-EL E27
 Date 15-11-2008

Lamp

Code DELN2341
 Number 1
 Position

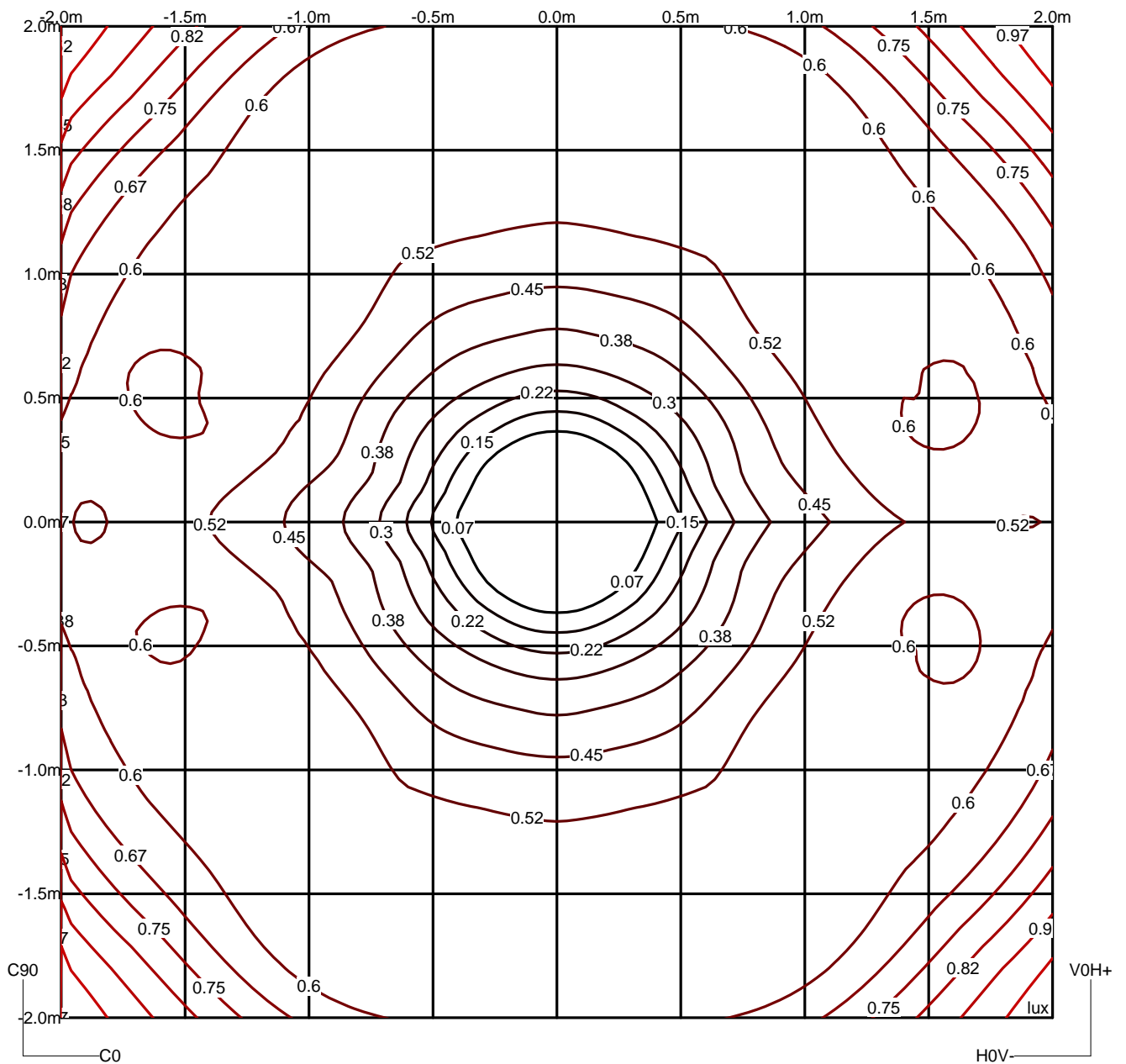
Efficiency 21.97%

Coordinate system CG

Total Flux 1500.00 lm

Isolux (Floor)

Luminaire position X=0.00m Y=0.00m Z=3.00m



Luminaire

Code 55-9318-34-M2
 Name Baliza 1x23W TC-EL E27
 Line Eulumdat

Measur.

Code 55-9318-34-M2
 Name Baliza 1x23W TC-EL E27
 Date 15-11-2008

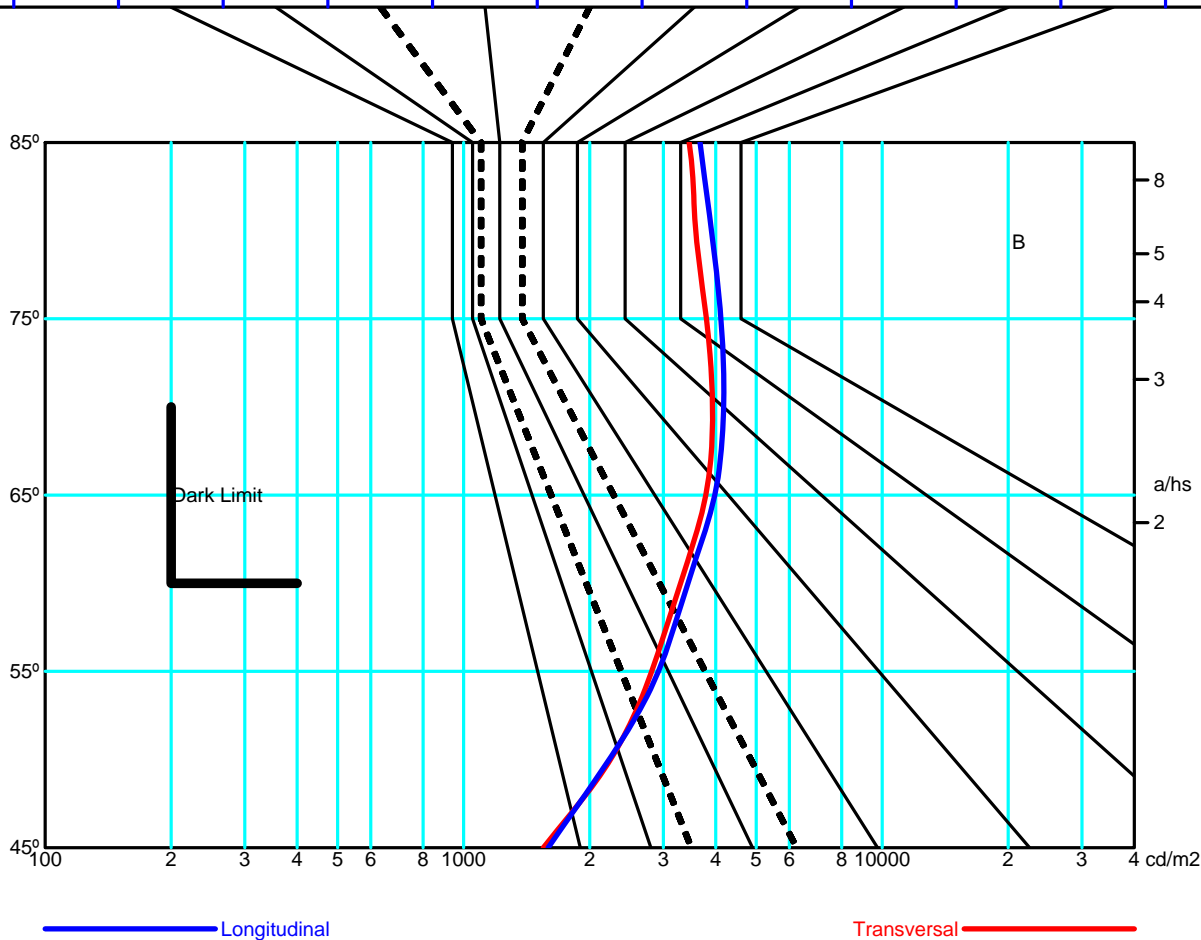
Lamp

Code DELN2341
 Number 1
 Position

Efficiency 21.97% Coordinate system CG Total Flux 1500.00 lm

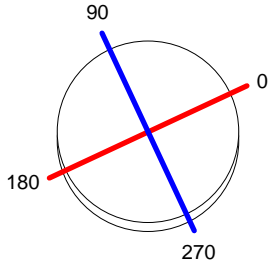
		Average Luminance [cd/m ²]									
		45°	50°	55°	60°	65°	70°	75°	80°	85°	
0.0°	1551	2243	2814	3296	3789	3932	3802	3584	3457	---	
90.0°	1592	2226	2920	3431	3981	4176	4121	3906	3671	---	

Flush mounted or transversal view												
		Illumination(lx)										
A	A	2000	1000	750	500		<300					1.15
B	1		2000	1500	1000	750	500	<300				1.5
C					2000		1000	500	<300			1.85
D	2						2000	1000	500	<300		2.2
E	3							2000	1000	500	<300	2.55



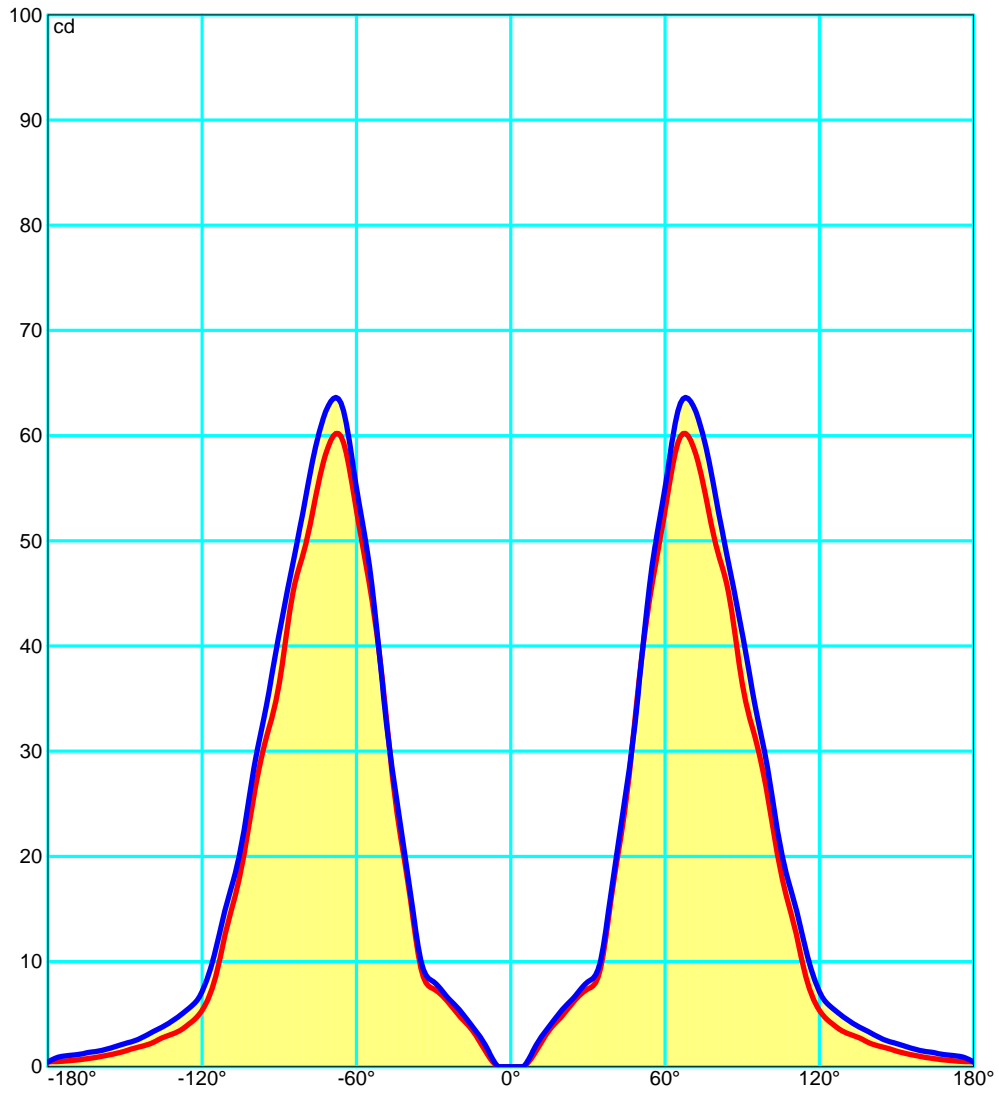
Luminaire		Measur.		Lamp	
Code	55-9318-34-M2	Code	55-9318-34-M2	Code	DELN2341
Name	Baliza 1x23W TC-EL E27	Name	Baliza 1x23W TC-EL E27	Number	1
Line	Eulumdat	Date	15-11-2008	Position	
Efficiency	21.97%	Coordinate system	CG	Total Flux	1500.00 lm

Diam=120mm



C Halfplanes

180.0 ———— 0.0
 270.0 ———— 90.0



Luminaire		Measur.		Lamp	
Code	55-9318-34-M2	Code	55-9318-34-M2	Code	DELN2341
Name	Baliza 1x23W TC-EL E27	Name	Baliza 1x23W TC-EL E27	Number	1
Line	Eulumdat	Date	15-11-2008	Position	
Efficiency	21.97%	Coordinate system	CG	Total Flux	1500.00 lm

UGR
S = 0.250

Reflectancies										
Ceiling/Cavity	0.7	0.7	0.5	0.5	0.3	0.7	0.7	0.5	0.5	0.3
Walls	0.5	0.3	0.5	0.3	0.3	0.5	0.3	0.5	0.3	0.3
WorkingPlane	0.2	0.2	0.2	0.2	0.2	0.2	0.2	0.2	0.2	0.2
RoomDimensions	ViewedCrosswise					ViewedEndwise				
x=2H y=2H	15.5	16.9	16.2	17.6	18.2	15.3	16.7	16.0	17.4	18.2
x=2H y=3H	19.0	20.3	19.6	21.0	21.8	18.9	20.2	19.5	20.9	21.8
x=2H y=4H	20.4	21.7	21.1	22.4	23.3	20.4	21.7	21.1	22.4	23.3
x=2H y=6H	21.6	22.8	22.3	23.5	24.5	21.7	22.9	22.4	23.6	24.5
x=2H y=8H	22.1	23.3	22.8	24.0	25.1	22.2	23.4	22.9	24.1	25.1
x=2H y=12H	22.5	23.7	23.2	24.4	25.5	22.7	23.9	23.4	24.6	25.5
x=4H y=2H	16.9	18.2	17.6	19.0	19.7	16.8	18.1	17.5	18.8	19.7
x=4H y=3H	20.3	21.5	21.0	22.2	22.9	20.2	21.3	20.9	22.0	22.9
x=4H y=4H	21.9	22.9	22.6	23.6	24.5	21.8	22.8	22.5	23.5	24.5
x=4H y=6H	23.2	24.1	23.9	24.9	25.7	23.1	24.1	23.9	24.8	25.7
x=4H y=8H	23.8	24.7	24.5	25.4	26.3	23.8	24.6	24.5	25.4	26.3
x=4H y=12H	24.3	25.1	25.1	25.9	26.9	24.3	25.1	25.1	25.9	26.9
x=8H y=4H	22.5	23.4	23.2	24.2	25.0	22.4	23.3	23.1	24.1	25.0
x=8H y=6H	24.0	24.8	24.8	25.6	26.4	23.9	24.7	24.7	25.5	26.4
x=8H y=8H	24.8	25.5	25.6	26.3	27.2	24.7	25.4	25.5	26.2	27.2
x=8H y=12H	25.5	26.1	26.3	26.9	27.8	25.5	26.1	26.2	26.9	27.8
x=12H y=4H	22.6	23.4	23.3	24.2	25.1	22.5	23.3	23.3	24.1	25.1
x=12H y=6H	24.3	24.9	25.0	25.8	26.7	24.2	24.8	25.0	25.7	26.7
x=12H y=8H	25.1	25.7	25.9	26.5	27.4	25.0	25.6	25.8	26.4	27.4

Luminaire

Code 55-9318-34-M2
 Name Baliza 1x23W TC-EL E27
 Line Eulumdat

Measur.

Code 55-9318-34-M2
 Name Baliza 1x23W TC-EL E27
 Date 15-11-2008

Lamp

Code DELN2341
 Number 1
 Position

Efficiency 21.97% Coordinate system CG Total Flux 1500.00 lm

Total Flux=1500.00 Luminaire Flux=329.52

RI	0.60	0.80	1.00	1.25	1.50	2.00	2.50	3.00	4.00	5.00	10.00	20.00
DRR	0.03	0.07	0.12	0.17	0.23	0.32	0.39	0.45	0.54	0.60	0.76	0.86
RC	-	-	-	-	-	-	-	-	-	-	10	10

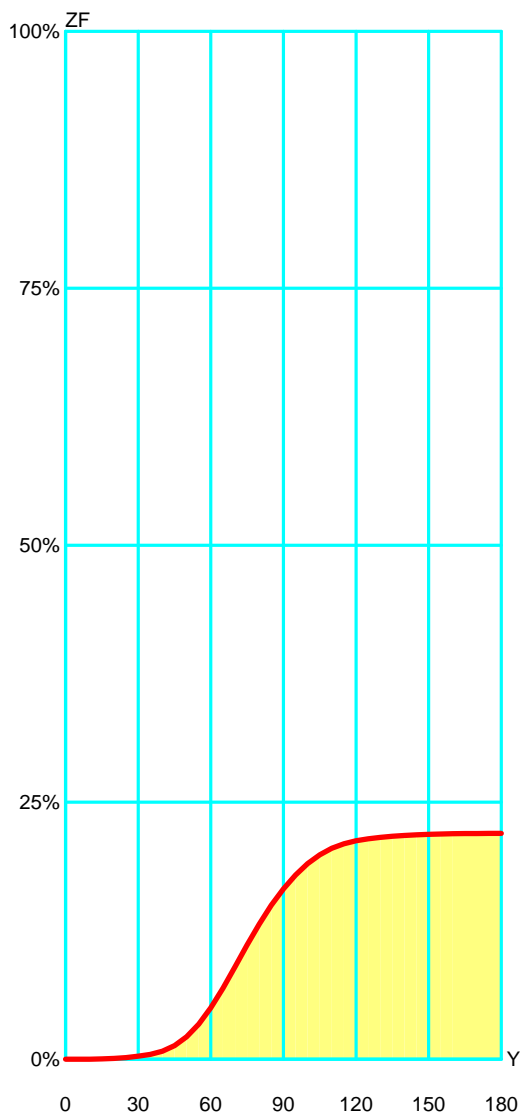
Zonal Flux per 1000 Lumen

Y°	10	20	30	40	50	60	70	80	90	100	110	120	130	140	150	160	170	180
ZF(Y)	0	1	3	8	22	50	90	131	166	190	205	212	216	218	219	219	220	220

CIE Flux Codes

6 30 69 75 22

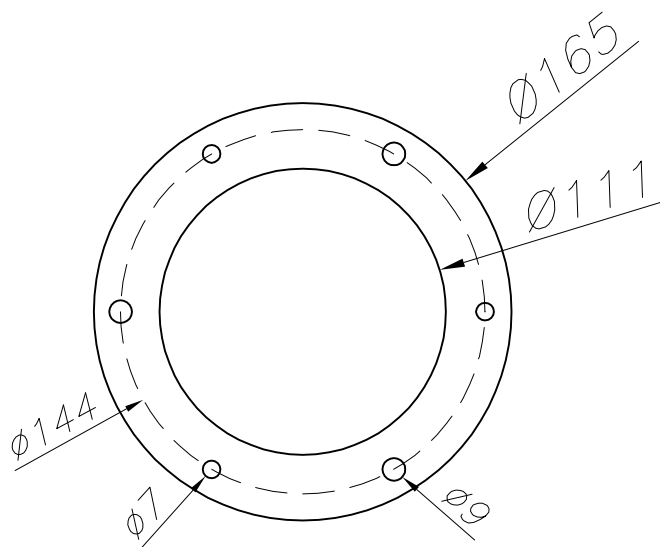
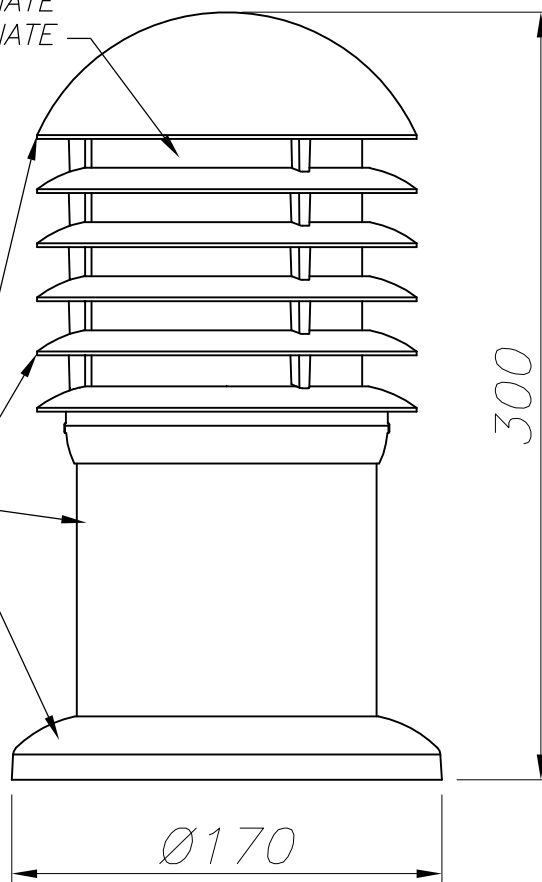
C.I.E.	-/-/-/-/-/-/-/10/10	LOR	21.96775 %
D DIN 5040	B11	ULOR	5.39596 %
F UTE	--	DLOR	16.57178 %
B NBN	BZ 10	UFF	24.56312 %
RN	24.56312 %	DFF	75.43688 %
BLF	1.0	FFR	32.56115 %



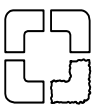
Zonal Flux				
Gamma °	Flux	Sum lm	Flux [%]	Sum [%]
0°	0.00	0.00	0.00 %	0.00 %
5°	0.00	0.00	0.00 %	0.00 %
10°	0.05	0.05	0.02 %	0.02 %
15°	0.23	0.28	0.11 %	0.13 %
20°	0.51	0.79	0.23 %	0.36 %
25°	0.86	1.65	0.39 %	0.75 %
30°	1.26	2.90	0.57 %	1.32 %
35°	1.78	4.68	0.81 %	2.13 %
40°	3.05	7.73	1.39 %	3.52 %
45°	5.47	13.19	2.49 %	6.01 %
50°	8.66	21.86	3.94 %	9.95 %
55°	12.25	34.11	5.58 %	15.53 %
60°	15.88	49.99	7.23 %	22.76 %
65°	19.05	69.04	8.67 %	31.43 %
70°	20.98	90.01	9.55 %	40.98 %
75°	21.23	111.24	9.66 %	50.64 %
80°	20.18	131.42	9.19 %	59.83 %
85°	18.32	149.74	8.34 %	68.17 %
90°	15.97	165.72	7.27 %	75.44 %
95°	13.53	179.25	6.16 %	81.60 %
100°	11.06	190.31	5.04 %	86.63 %
105°	8.60	198.92	3.92 %	90.55 %
110°	6.36	205.27	2.89 %	93.44 %
115°	4.38	209.65	1.99 %	95.44 %
120°	2.83	212.48	1.29 %	96.72 %
125°	1.90	214.38	0.86 %	97.59 %
130°	1.42	215.80	0.65 %	98.24 %
135°	1.10	216.90	0.50 %	98.74 %
140°	0.84	217.75	0.38 %	99.12 %
145°	0.63	218.38	0.29 %	99.41 %
150°	0.46	218.83	0.21 %	99.62 %
155°	0.32	219.16	0.15 %	99.76 %
160°	0.22	219.38	0.10 %	99.86 %
165°	0.15	219.53	0.07 %	99.93 %
170°	0.09	219.62	0.04 %	99.97 %
175°	0.05	219.67	0.02 %	99.99 %
180°	0.01	219.68	0.01 %	100.00 %

POLICARBONATO TRANSPARENTE MATE
TRANSPARENT MATT POLYCARBONATE

ALUMINIO DE ALTA PUREZA
HIGH QUALITY ALUMINUM



PLANTILLA DE INSTALACIÓN
INSTALLATION TEMPLATE



LEDSS-C4

OUTDOOR

55-9318
55-9319
55-9320

