

## 510-CR

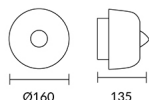
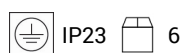
V0

## Sunny Wall fixture

**Description**

Wall fixture Sunny E14 40W

	Finish	Material
<b>Structure</b>	Steel	
<b>Diffuser</b>	Transparent	Glass

**TECHNICAL CHARACTERISTICS****Light source**

Lampholder: 1 x E14  
 Light source power (W): MAX 40W  
 Luminaire total power (W): 40W  
 Lamp maximum dimension: 70/70 mm  
 Quantity: 1  
 Recommended lamp: E14

**GEAR**

Voltage / Frequency:  
 100-240VAC/50-60Hz

**Luminaire**

Warranty: 5 Years

**Logistics**

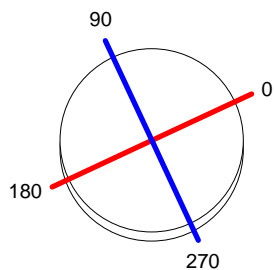
Energy Efficiency: NO BULB  
 EAN Code: 8435111053263  
 Net Weight (Kg): 0.75  
 Weight in Kg (packaged): 1.37  
 Packing: 245 x 180 x 240  
 Masterbox: 6

The photograph may not match the reference exactly. Please read the product description to identify the finish.

<b>Luminaire</b>		<b>Measur.</b>		<b>Lamp</b>	
Code	510-CR	Code	510-CR	Code	DECOR P SILV 40
Name	Aplique SUNNY 1x40W E14 reflex	Name	Aplique SUNNY 1x40W E14 reflex	Number	1
Line	Eulumdat	Date	13-04-2010	Position	
Efficiency	80.17%	Coordinate system	CG	Total Flux	320.00 lm
Maximum value	82.00 cd	Position	C=30.00 G=130.00	Double Symmetrical	
Round Luminaire	Diam.	162 mm	Height	90 mm	
Round Luminous Area	Diam.	162 mm	Height	90 mm	
Horizontal Luminous Area	0.020612 m2	Emitting area on Plane 180°	0.014580 m2		
Emitting area on Plane 0°	0.014580 m2	Emitting area on Plane 270°	0.014580 m2		
Emitting area on Plane 90°	0.014580 m2	Glare area at 76°	0.019133 m2		
Symmetry Type	Double Symmetrical	Maximum Gamma Angle	180		
Measurement Distance	0.00	Measurement Flux	320.00 lm		
Operator	Asselum	Source voltage			
Temperature	25.00 °C	Source current			
Humidity	60.00 %	Photocell			
Notes					

Luminaire Lamps					
Line	Code	Name	Flux [lm]	Pow. [W]	Q.ty
Eulumdat	DECOR P SILV 40	DECOR P SILV 40 - 40.00 W	320.00	40.00	1
C.I.E.	34 52 75 16 80	D DIN 5040	D23		
F UTE	0.13 H + 0.67 T	B NBN	BZ 6 / 1 / BZ 7 / 4 / BZ 8		

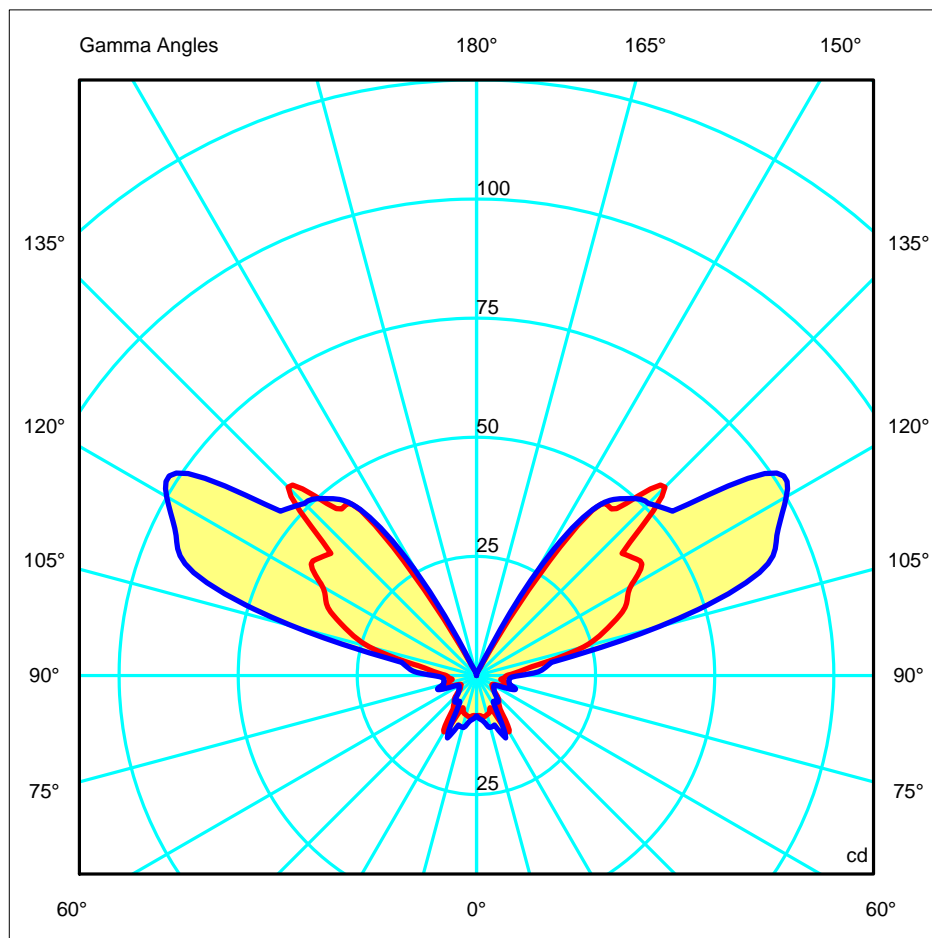
Diam=162mm



C Halfplanes

180.0 — 0.0  
270.0 — 90.0

ULOR 67.23 %  
DLOR 12.94 %  
RN 83.86 %

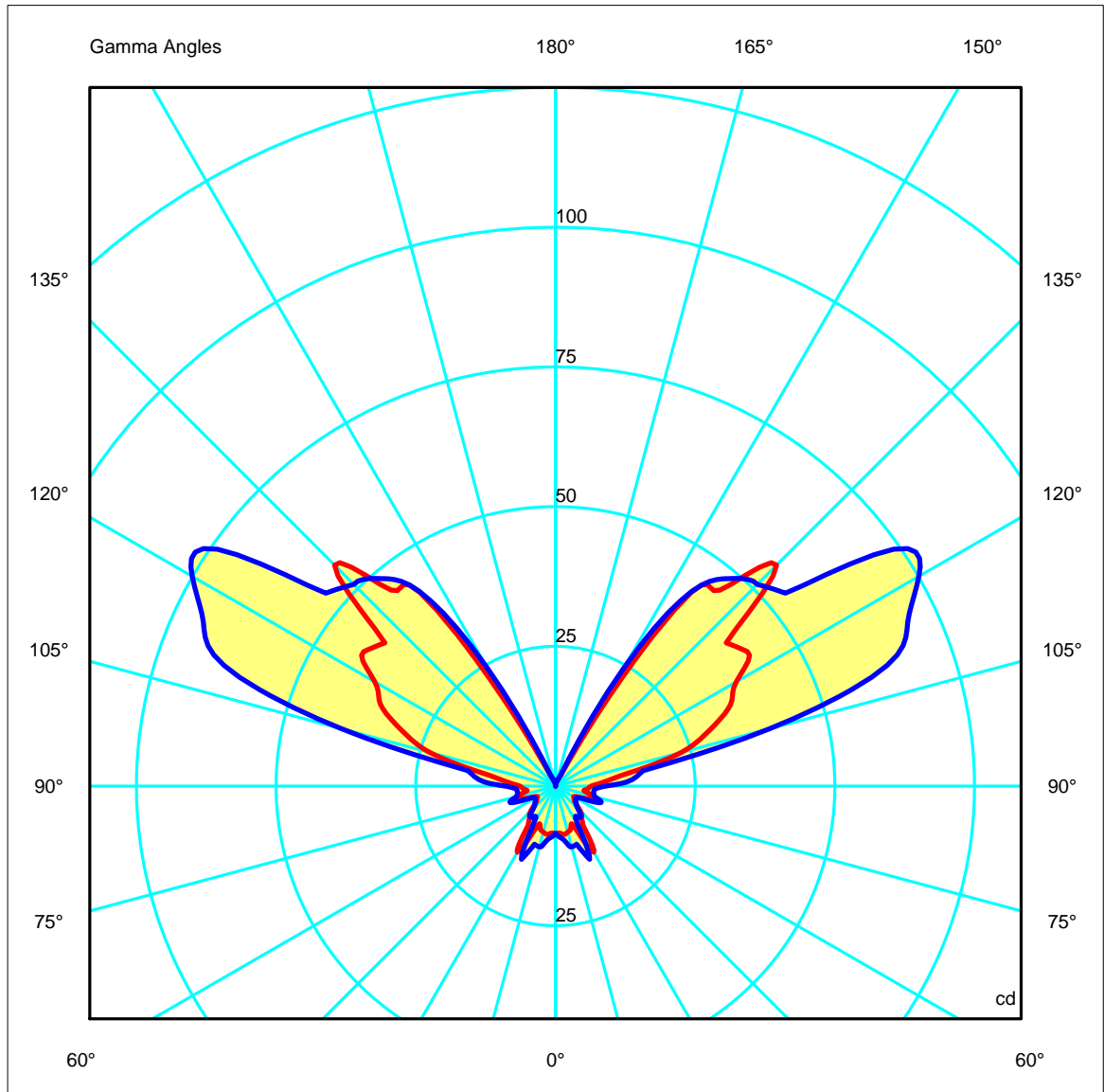
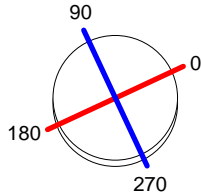


<b>Luminaire</b>		<b>Measur.</b>		<b>Lamp</b>	
Code	510-CR	Code	510-CR	Code	DECOR P SILV 40
Name	Aplique SUNNY 1x40W E14 reflec	Name	Aplique SUNNY 1x40W E14 reflec	Number	1
Line	Eulumdat	Date	13-04-2010	Position	
Efficiency	80.17%	Coordinate system	CG	Total Flux	320.00 lm

Diam=162mm

C Halfplanes

180.0 ——— 0.0  
 270.0 ——— 90.0



<b>Luminaire</b>	<b>Measur.</b>	<b>Lamp</b>
Code 510-CR	Code 510-CR	Code DECOR P SILV 40
Name Aplique SUNNY 1x40W E14 reflec	Name Aplique SUNNY 1x40W E14 reflec	Number 1
Line Eulumdat	Date 13-04-2010	Position

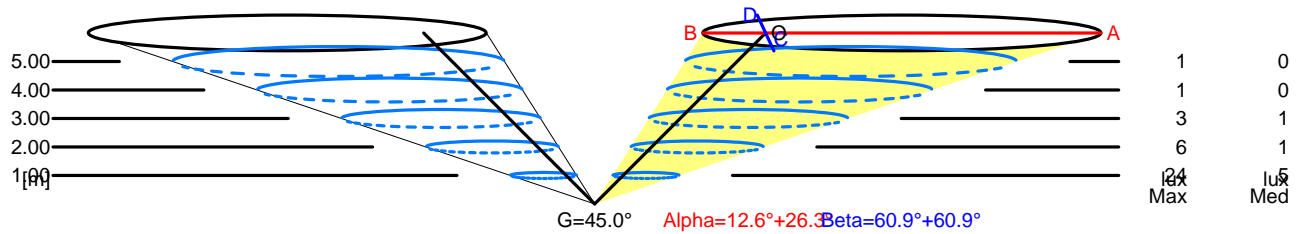
Efficiency 80.17%	Coordinate system CG	Total Flux	320.00 lm
-------------------	----------------------	------------	-----------

Width at 50.00 % of Max Intensity

H[m]	1.00	2.00	3.00	4.00	5.00	H[m]	1.00	2.00	3.00	4.00	5.00
OA	1.96	3.92	5.89	7.85	9.81	OC	2.54	5.09	7.63	10.17	12.72
OB	0.37	0.73	1.10	1.47	1.83	OD	2.54	5.09	7.63	10.17	12.72

Luminous Intensities [ cd ]

	0	5	15	25	35	45	55	65	75	85
OA	0.00	0.00	0.80	1.83	42.28	55.92	41.93	34.57	23.27	8.82
OB	0.00	0.00	0.80	1.83	42.28	55.92	41.93	34.57	23.27	8.82
OC	0.00	0.00	0.81	2.33	42.57	51.05	73.89	69.56	39.60	13.84
OD	0.00	0.00	0.81	2.33	42.57	51.05	73.89	69.56	39.60	13.84



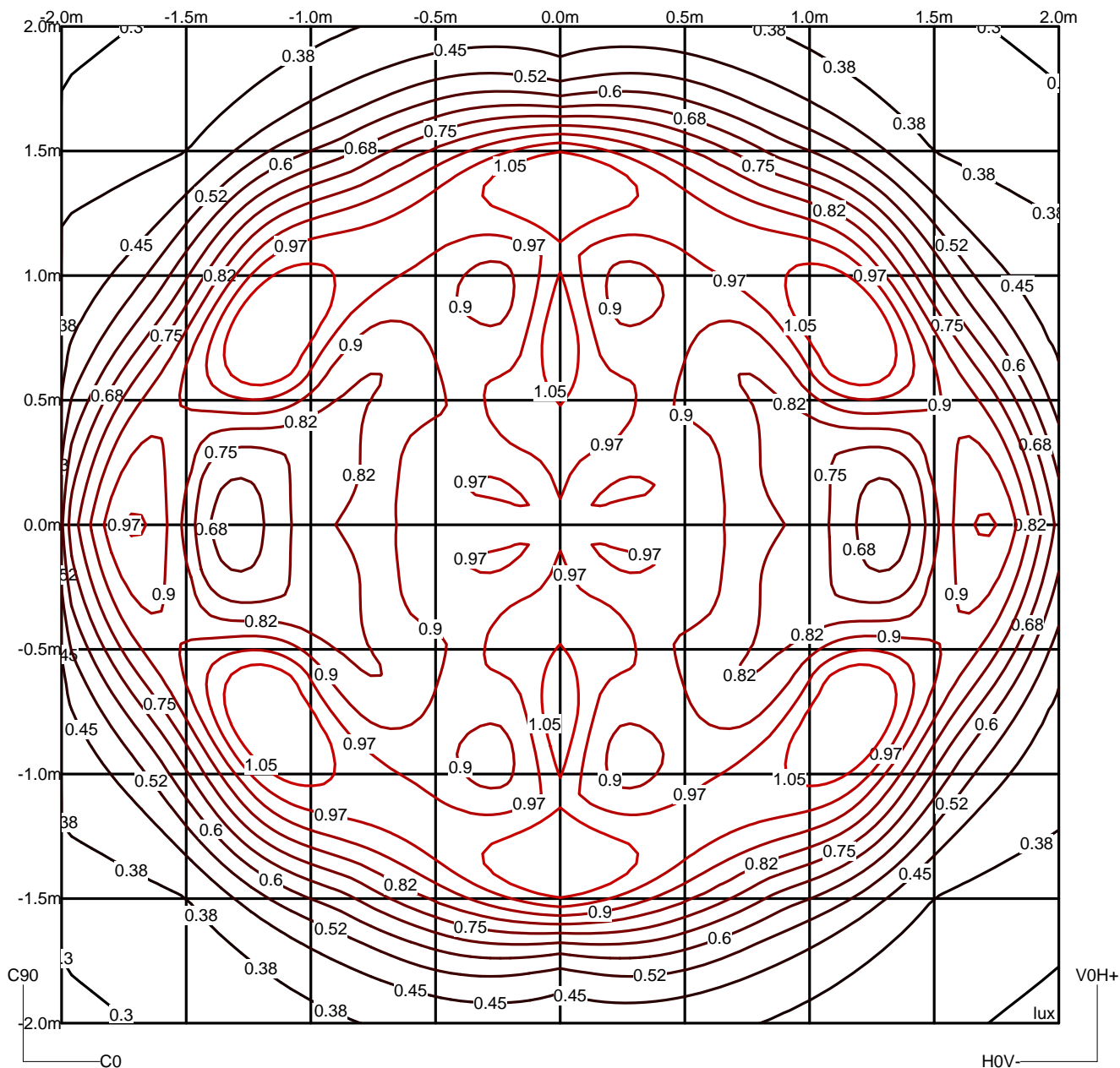
5.00	11.64	1	0	
4.00	9.31	1	0	
3.00	6.99	3	1	
2.00	4.66	6	1	
1.00	2.33	24	5	
H[m]	D[m]	Max lux	Med lux	

5.00	25.43	1	0	
4.00	20.35	1	0	
3.00	15.26	3	1	
2.00	10.17	6	1	
1.00	5.09	24	5	
H[m]	D[m]	Max lux	Med lux	

<b>Luminaire</b>		<b>Measur.</b>		<b>Lamp</b>	
Code	510-CR	Code	510-CR	Code	DECOR P SILV 40
Name	Aplique SUNNY 1x40W E14 reflex	Name	Aplique SUNNY 1x40W E14 reflex	Number	1
Line	Eulumat	Date	13-04-2010	Position	
Efficiency	80.17%	Coordinate system	CG	Total Flux	320.00 lm

Isolux (Floor)

Luminaire position X=0.00m Y=0.00m Z=3.00m



**Luminaire**

Code 510-CR  
 Name Aplique SUNNY 1x40W E14 reflec  
 Line Eulumdat

**Measur.**

Code 510-CR  
 Name Aplique SUNNY 1x40W E14 reflec  
 Date 13-04-2010

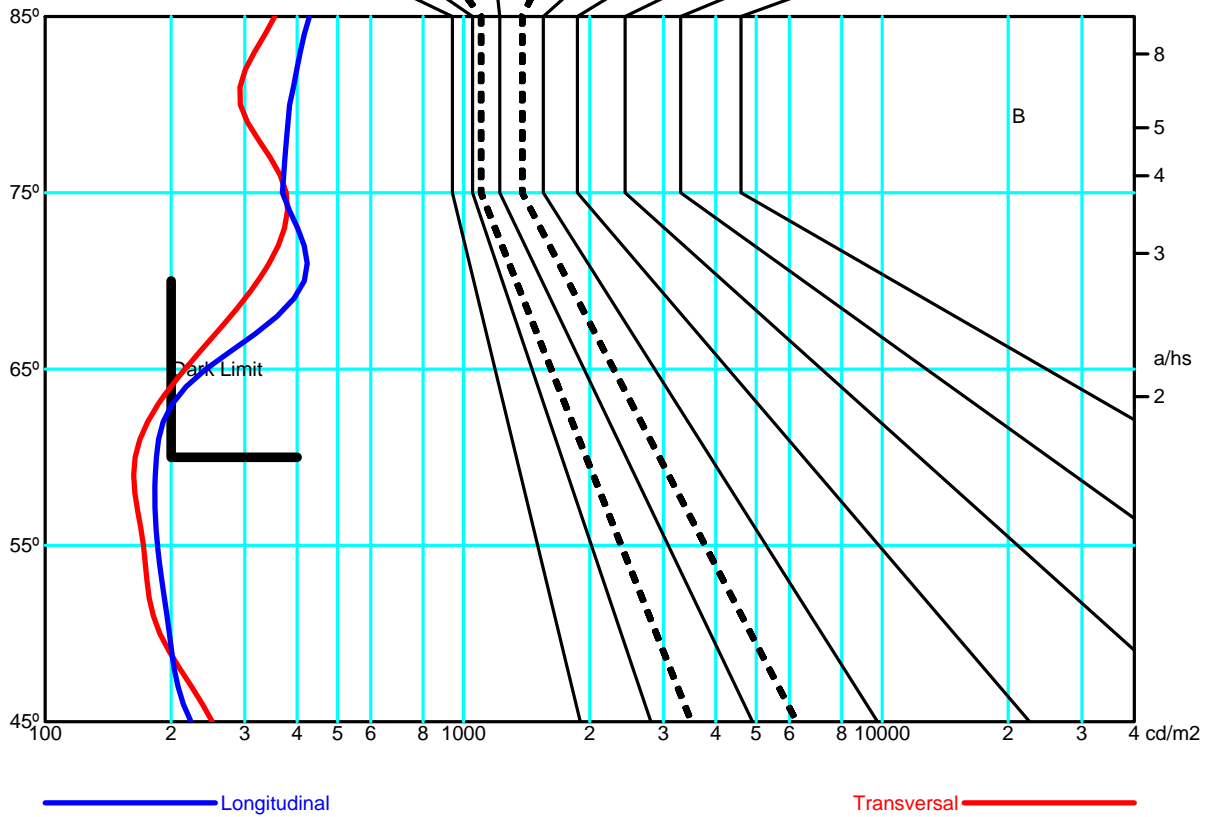
**Lamp**

Code DECOR P SILV 40  
 Number 1  
 Position

Efficiency 80.17%      Coordinate system CG      Total Flux 320.00 lm

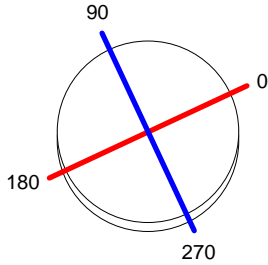
		Average Luminance [cd/m <sup>2</sup> ]										
		0.0°	45°	50°	55°	60°	65°	70°	75°	80°	85°	
0.0°		251	188	172	164	216	322	377	293	354	---	
90.0°		223	198	186	184	242	416	369	384	428	---	

Flush mounted or transversal view												
		Illumination(lx)										
A	A	2000	1000	750	500		<300					1.15
B	1		2000	1500	1000	750	500	<300				1.5
C					2000		1000	500	<300			1.85
D	2						2000	1000	500	<300		2.2
E	3							2000	1000	500	<300	2.55



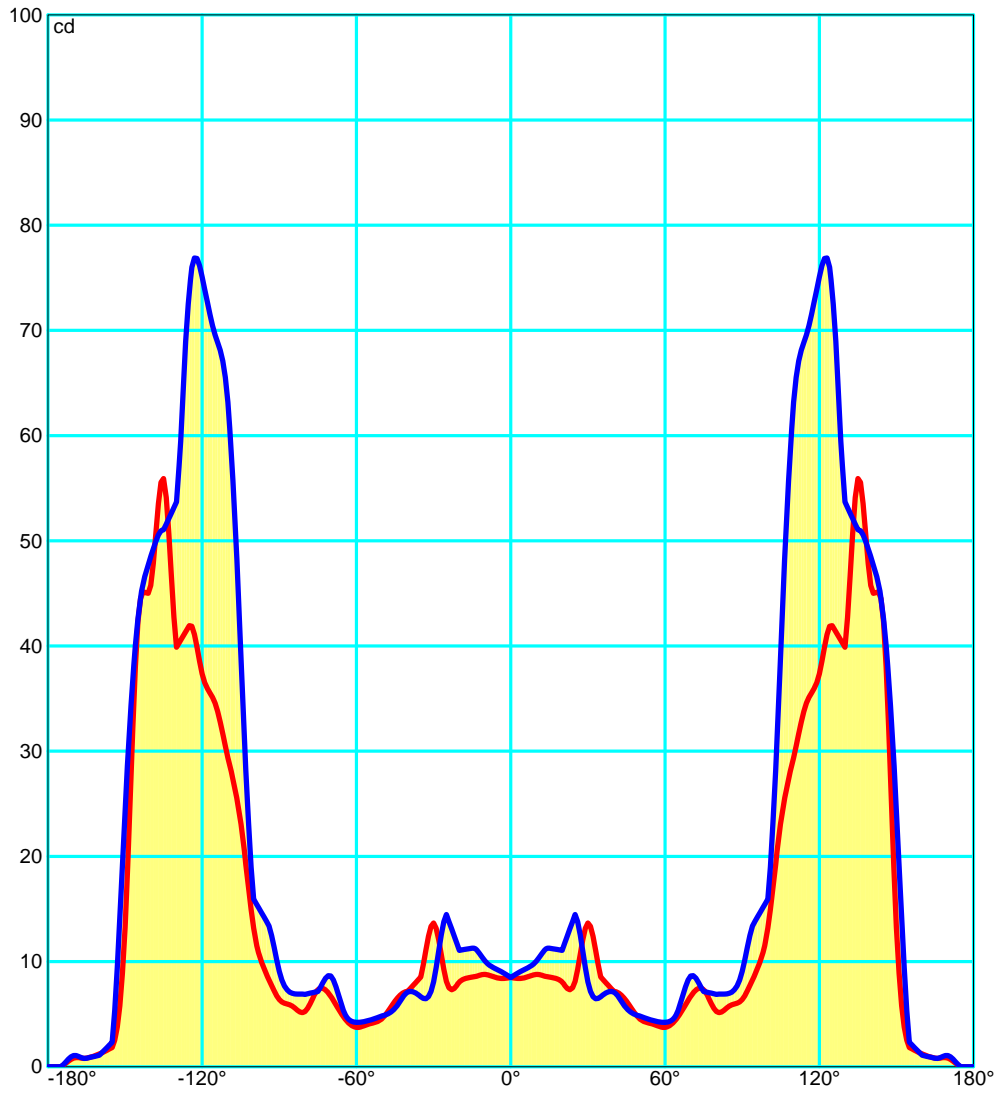
<b>Luminaire</b>		<b>Measur.</b>		<b>Lamp</b>	
Code	510-CR	Code	510-CR	Code	DECOR P SILV 40
Name	Aplique SUNNY 1x40W E14 reflec	Name	Aplique SUNNY 1x40W E14 reflec	Number	1
Line	Eulumdat	Date	13-04-2010	Position	
Efficiency	80.17%	Coordinate system	CG	Total Flux	320.00 lm

Diam=162mm



C Halfplanes

180.0 ——— 0.0  
270.0 ——— 90.0



<b>Luminaire</b>		<b>Measur.</b>		<b>Lamp</b>	
Code	510-CR	Code	510-CR	Code	DECOR P SILV 40
Name	Aplique SUNNY 1x40W E14 reflec	Name	Aplique SUNNY 1x40W E14 reflec	Number	1
Line	Eulumdat	Date	13-04-2010	Position	
Efficiency	80.17%	Coordinate system	CG	Total Flux	320.00 lm

**UGR**  
S = 0.250

Reflectancies										
Ceiling/Cavity	0.7	0.7	0.5	0.5	0.3	0.7	0.7	0.5	0.5	0.3
Walls	0.5	0.3	0.5	0.3	0.3	0.5	0.3	0.5	0.3	0.3
WorkingPlane	0.2	0.2	0.2	0.2	0.2	0.2	0.2	0.2	0.2	0.2
RoomDimensions	ViewedCrosswise					ViewedEndwise				
x=2H y=2H	< 0	< 0	< 0	< 0	0.9	< 0	< 0	< 0	< 0	0.9
x=2H y=3H	2.0	2.5	3.2	3.7	5.6	2.2	2.8	3.4	4.0	5.6
x=2H y=4H	3.9	4.5	5.1	5.6	7.7	4.3	4.8	5.5	6.0	7.7
x=2H y=6H	5.1	5.6	6.3	6.7	9.0	5.7	6.2	6.9	7.3	9.0
x=2H y=8H	5.6	6.1	6.8	7.3	9.6	6.3	6.8	7.5	8.0	9.6
x=2H y=12H	6.3	6.7	7.5	7.9	10.3	7.0	7.4	8.2	8.6	10.3
x=4H y=2H	< 0	< 0	< 0	0.5	2.2	< 0	< 0	< 0	0.5	2.2
x=4H y=3H	3.3	3.8	4.5	5.0	6.7	3.3	3.8	4.6	5.0	6.7
x=4H y=4H	5.2	5.6	6.4	6.8	8.7	5.4	5.8	6.6	7.0	8.7
x=4H y=6H	6.4	6.8	7.6	8.0	10.1	6.9	7.2	8.1	8.4	10.1
x=4H y=8H	7.1	7.4	8.3	8.6	10.8	7.5	7.9	8.8	9.1	10.8
x=4H y=12H	7.9	8.2	9.1	9.4	11.5	8.3	8.6	9.5	9.8	11.5
x=8H y=4H	5.7	6.0	7.0	7.2	9.2	5.9	6.2	7.2	7.4	9.2
x=8H y=6H	7.2	7.4	8.4	8.6	10.8	7.6	7.8	8.8	9.0	10.8
x=8H y=8H	8.0	8.2	9.2	9.5	11.6	8.4	8.6	9.6	9.8	11.6
x=8H y=12H	9.1	9.3	10.3	10.5	12.4	9.2	9.4	10.5	10.7	12.4
x=12H y=4H	5.8	6.1	7.0	7.3	9.2	6.0	6.3	7.2	7.5	9.2
x=12H y=6H	7.3	7.5	8.5	8.8	10.9	7.7	7.9	8.9	9.1	10.9
x=12H y=8H	8.2	8.4	9.5	9.7	11.7	8.6	8.8	9.8	10.0	11.7



<b>Luminaire</b>	<b>Measur.</b>	<b>Lamp</b>
Code 510-CR	Code 510-CR	Code DECOR P SILV 40
Name Aplique SUNNY 1x40W E14 reflec	Name Aplique SUNNY 1x40W E14 reflec	Number 1
Line Eulumdat	Date 13-04-2010	Position

Efficiency 80.17%	Coordinate system CG	Total Flux 320.00 lm
-------------------	----------------------	----------------------

Total Flux=320.00 Luminaire Flux=256.54

	0.60	0.80	1.00	1.25	1.50	2.00	2.50	3.00	4.00	5.00	10.00	20.00
RI	0.24	0.28	0.33	0.38	0.42	0.49	0.55	0.59	0.65	0.70	0.81	0.89
DRR	7	7	8	8	8	8	8	8	9	9	9	9
RC												

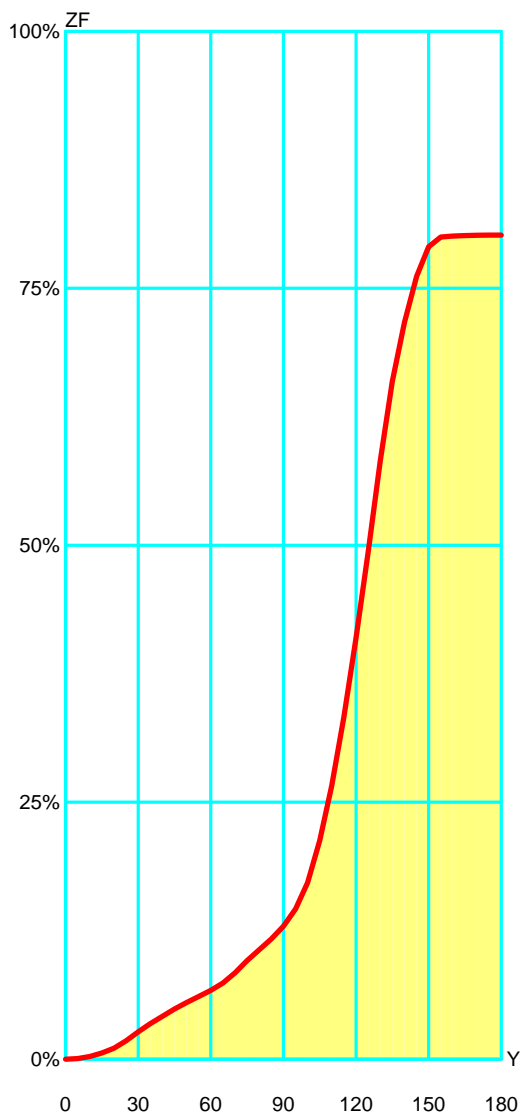
Zonal Flux per 1000 Lumen

	10	20	30	40	50	60	70	80	90	100	110	120	130	140	150	160	170	180
Y°	3	11	27	42	55	67	84	107	129	172	266	410	582	717	790	801	802	802
ZF(Y)																		

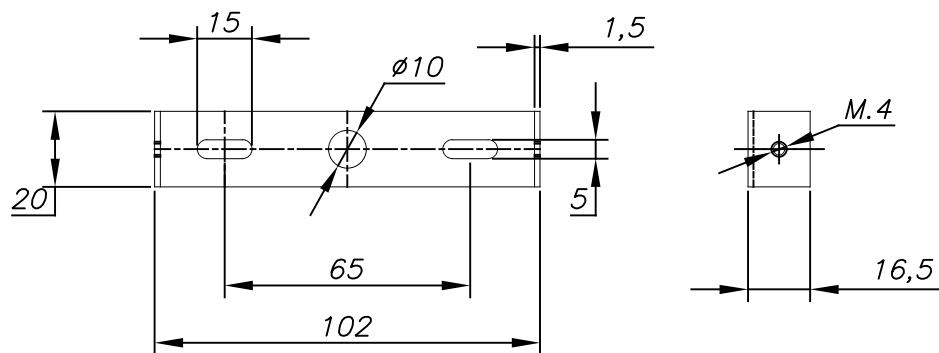
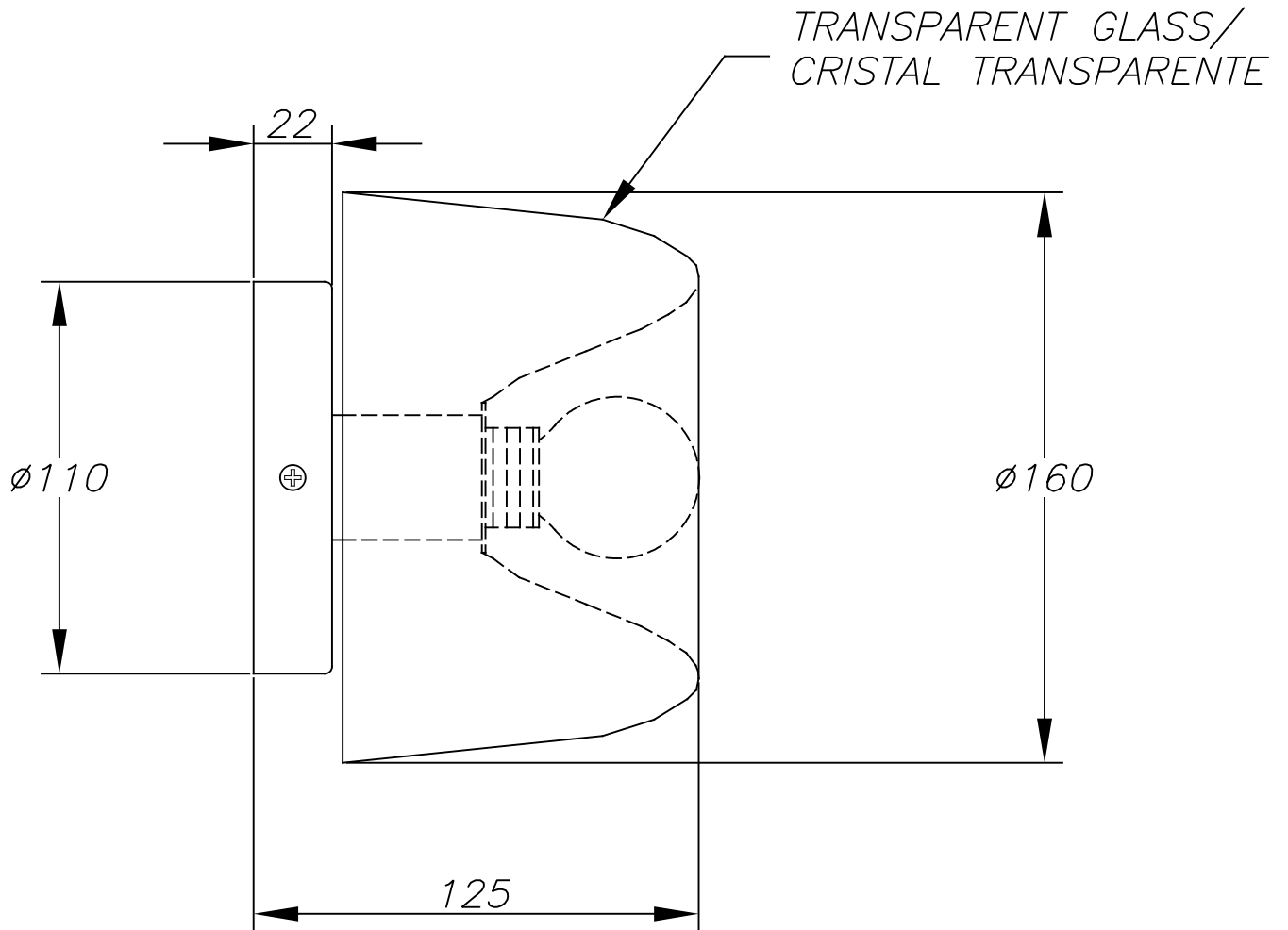
CIE Flux Codes

34 52 75 16 80

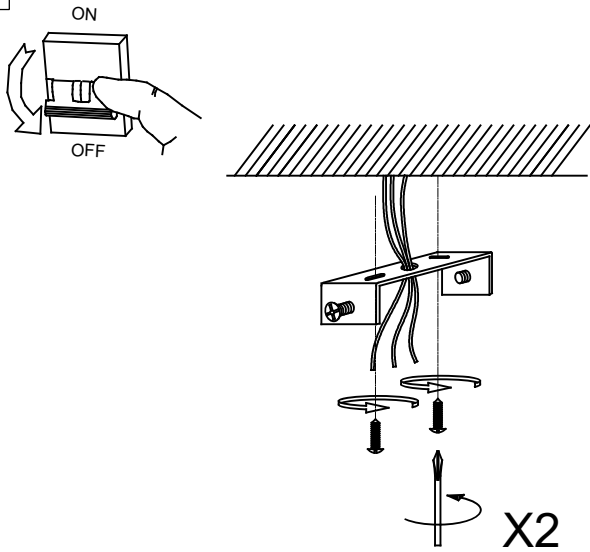
C.I.E.	7/7/8/8/8/8/8/9/9/9	LOR	80.16888 %
D DIN 5040	D23	ULOR	67.23274 %
F UTE	0.13 H + 0.67 T	DLOR	12.93613 %
B NBN	BZ 6 / 1 / BZ 7 / 4 / BZ 8	UFF	83.86390 %
RN	83.86390 %	DFF	16.13610 %
BLF	1.0	FFR	519.72834 %



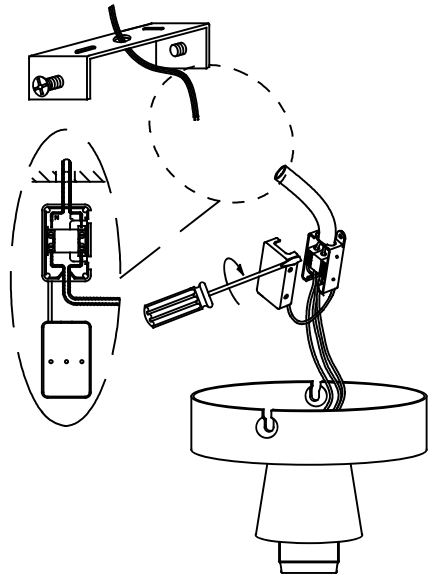
Zonal Flux				
Gamma °	Flux	Sum lm	Flux [%]	Sum [%]
0°	0.00	0.00	0.00%	0.00%
5°	0.65	0.65	0.08%	0.08%
10°	2.01	2.66	0.25%	0.33%
15°	3.37	6.02	0.42%	0.75%
20°	4.76	10.78	0.59%	1.34%
25°	7.07	17.85	0.88%	2.23%
30°	8.87	26.71	1.11%	3.33%
35°	7.90	34.61	0.99%	4.32%
40°	7.13	41.74	0.89%	5.21%
45°	7.19	48.93	0.90%	6.10%
50°	6.27	55.20	0.78%	6.89%
55°	5.78	60.99	0.72%	7.61%
60°	5.96	66.95	0.74%	8.35%
65°	7.12	74.06	0.89%	9.24%
70°	10.06	84.12	1.25%	10.49%
75°	11.78	95.90	1.47%	11.96%
80°	10.67	106.56	1.33%	13.29%
85°	10.34	116.91	1.29%	14.58%
90°	12.45	129.36	1.55%	16.14%
95°	16.91	146.27	2.11%	18.25%
100°	25.55	171.82	3.19%	21.43%
105°	41.02	212.85	5.12%	26.55%
110°	53.38	266.23	6.66%	33.21%
115°	66.99	333.22	8.36%	41.56%
120°	77.03	410.25	9.61%	51.17%
125°	82.76	493.00	10.32%	61.50%
130°	89.12	582.12	11.12%	72.61%
135°	77.19	659.31	9.63%	82.24%
140°	57.47	716.78	7.17%	89.41%
145°	44.85	761.63	5.60%	95.00%
150°	28.79	790.42	3.59%	98.59%
155°	9.38	799.80	1.17%	99.76%
160°	1.00	800.80	0.12%	99.89%
165°	0.47	801.27	0.06%	99.95%
170°	0.32	801.59	0.04%	99.99%
175°	0.10	801.69	0.01%	100.00%
180°	0.00	801.69	0.00%	100.00%



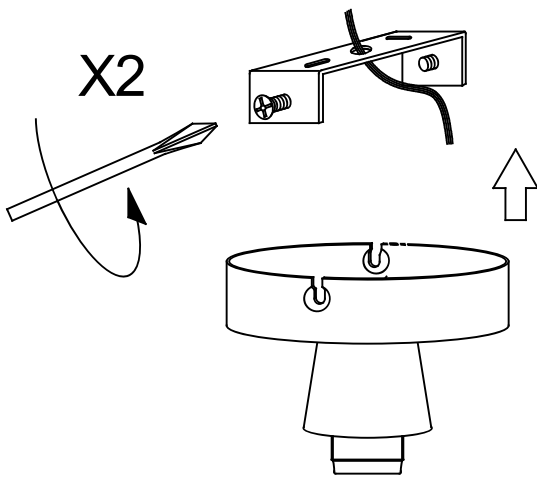
1



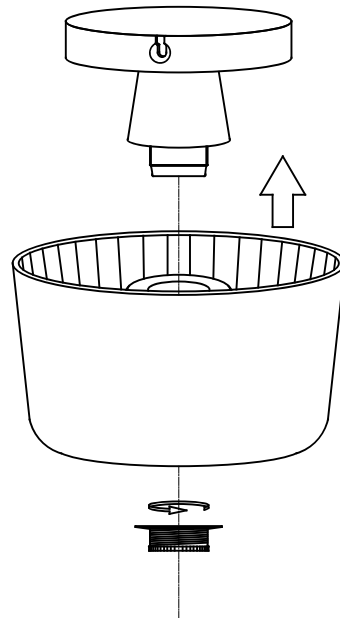
2



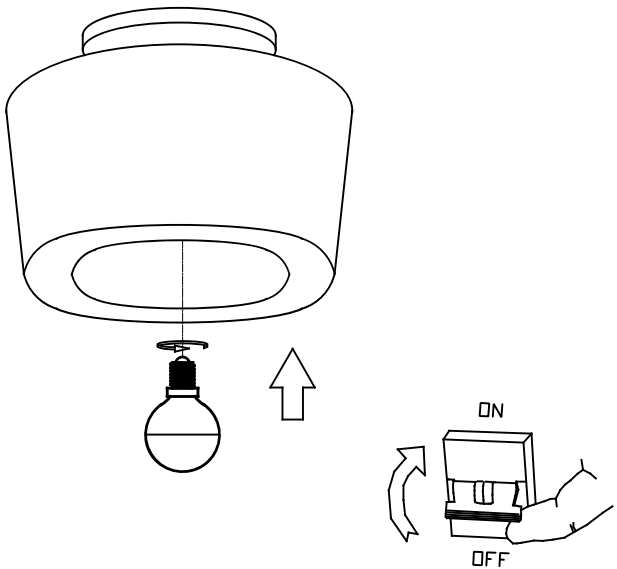
3



4



5



6

