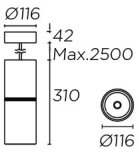


BOND TUBE

Josep Patsi

35-3630-14-OS

Pendant BOND TUBE 25.9W 3000K CRI 90 White IP20



TECHNICAL FEATURES



Power (W) : 25.9W

Total power consumption of light (W) : 26.7W

Colour temperature : LED warm-white 3000K

Structure material : Aluminium

Structure finish : White

Diffuser material : Glass

Diffuser finish : Transparent

Equipment included : Yes, electronic

Brand : PHILIPS

Voltage / frequency : 220-240VAC/50-60Hz

Warranty : 2 Years

Max. temperature : 25°C

Energy efficiency : LED A++

LUMINOTECHNIC FEATURES

Light source: LED CREE

CRI: 90

Photobiological risk: RG1

LOGISTICS

Net weight (kg): 2.01

Packaged weight (kg): 2.65

Packaging: 140mm x 130mm x 460mm

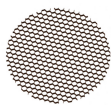




ACT-9127-08-00

Colour filter for HIT-T lamp, Green

Structure material:
Net weight (kg): 0.06



ACT-9135-60-00

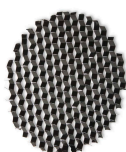
Honeycomb, Black

Structure material:
Net weight (kg): 0.01



71-5664-00-00

Structure material:
Dimensions: 100 x NA x 3
Net weight (kg): 0.02



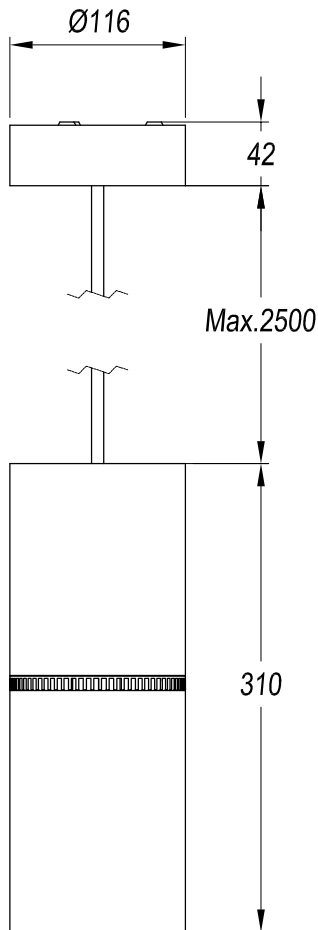
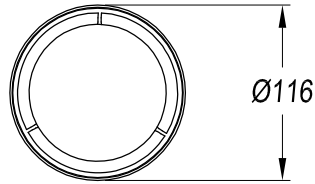
71-5666-60-00

Structure material: Aluminium
Dimensions: 100 x NA x 3
Net weight (kg): 0.01



71-1926-14-00

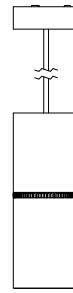
Structure material: Aluminium
Dimensions: 113 x 0 x 23
Net weight (kg): 0.06



- VERSIONS:

TRACK / PENDANT / SURFACE

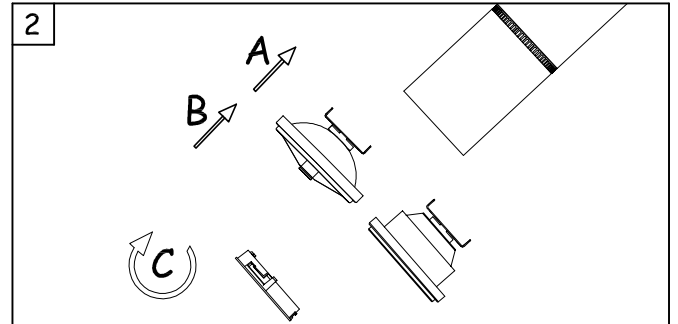
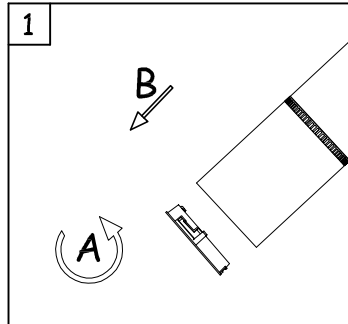
LED COB
ZHAGA



QR-111
G53



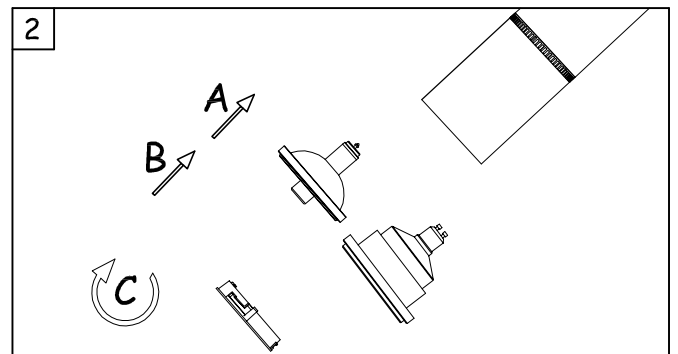
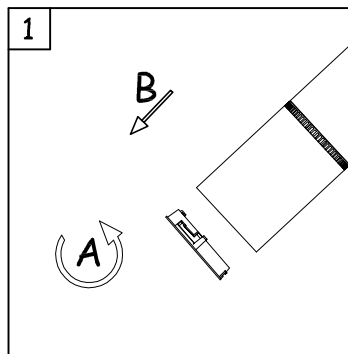
AR-111 LED
G53



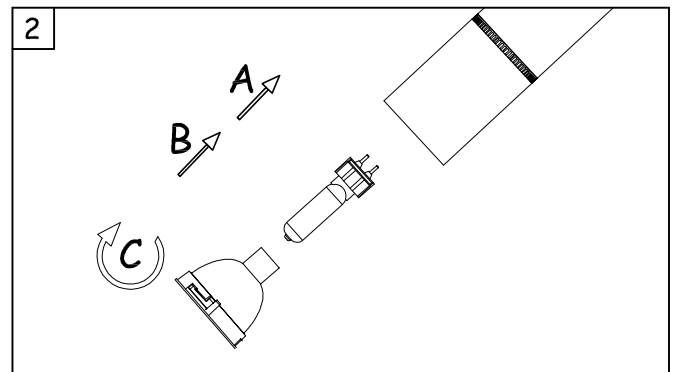
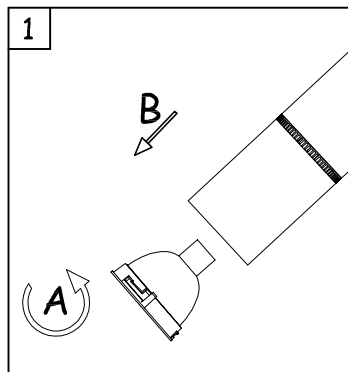
AR-111 LED
Gu10



CDM-R111
GX8.5

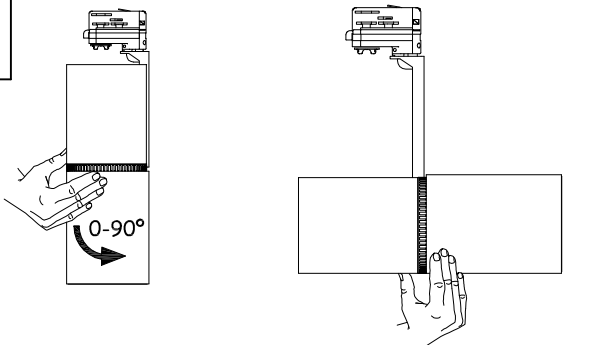


HIT-T
G12

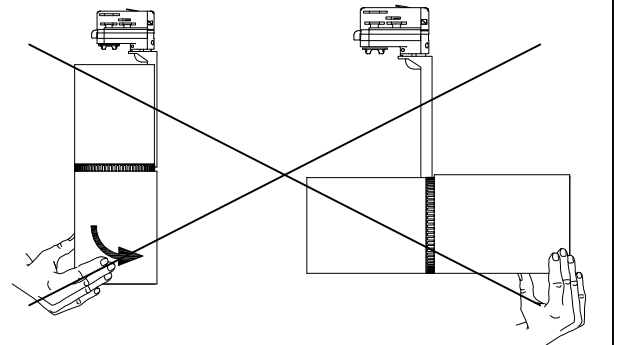


- ROTATION:

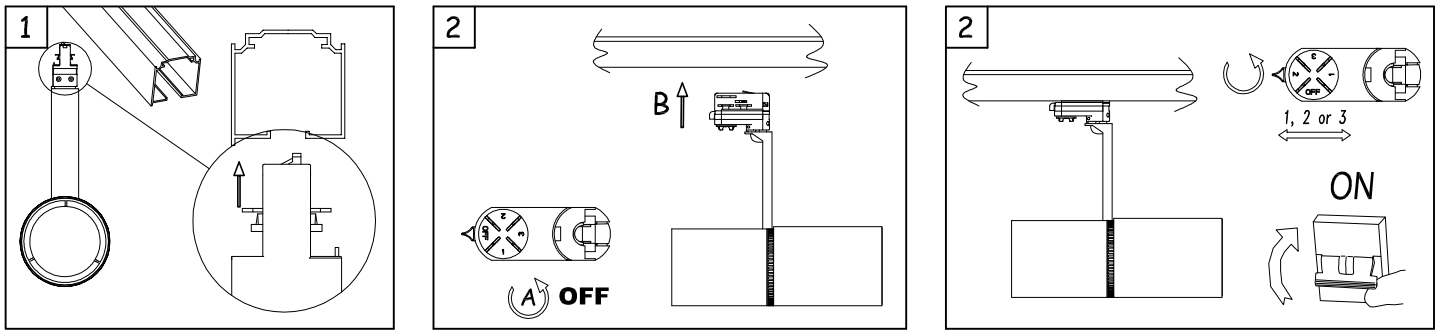
OK



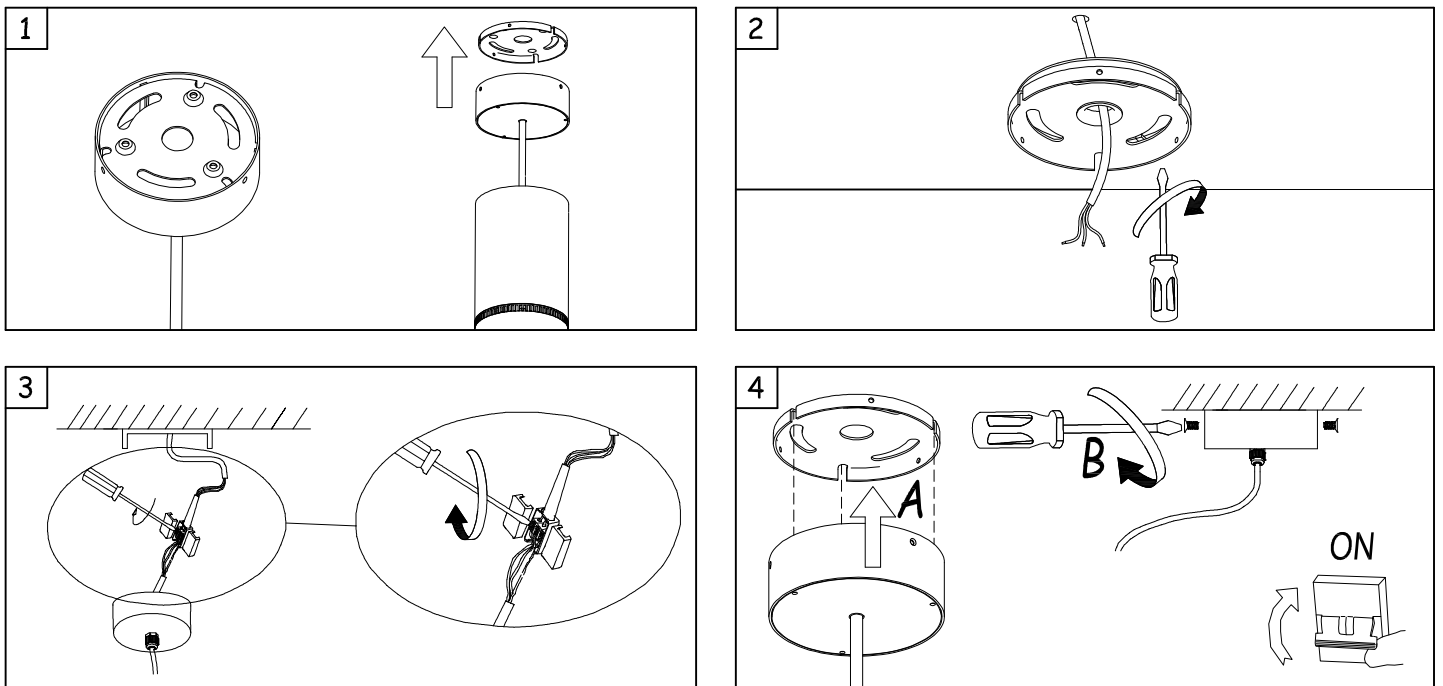
NO



TRACK VERSION



PENDANT VERSION



SURFACE VERSION

