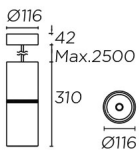


## BOND TUBE

Josep Patsi

## 35-3621-14-OU

Pendant BOND TUBE 25.9W 3000K CRI 80 White IP20 1870lm



### TECHNICAL FEATURES



Power (W) : 25.9W

Total power consumption of light (W) : 26.7W

Real lumens : 1870

Real lm/W : 70

Correlated Colour Temperature (CCT) : LED warm-white 3000K

Structure material : Aluminium

Structure finish : White

Diffuser material : Glass

Diffuser finish : Transparent

Brand : HEP

Voltage / frequency : 100-240VAC/50-60Hz

Power Factor : 0.85

Max. temperature : 25°C

Warranty : 2 Years

Energy efficiency : LED A++

### LUMINOTECHNIC FEATURES

Light source: LED CREE

CRI: 80

Photobiological risk: RG1

### VENTILATION FEATURES

Power used: 26.7W

Service value measurement standard: EN 60879:2019

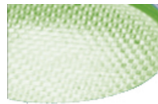
### LOGISTICS

Net weight (kg): 2.01

Packaged weight (kg): 2.65

Packaging: 140mm x 130mm x 460mm

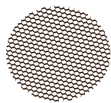




**ACT-9127-08-00**

Colour filter for HIT-T lamp, Green

Structure material:  
Net weight (kg): 0.06



**ACT-9135-60-00**

Honeycomb, Black

Structure material:  
Net weight (kg): 0.01



**71-5664-00-00**

Structure material:  
Dimensions: 100 x NA x 3  
Net weight (kg): 0.02



**71-5666-60-00**

Structure material: Aluminium  
Dimensions: 100 x NA x 3  
Net weight (kg): 0.01



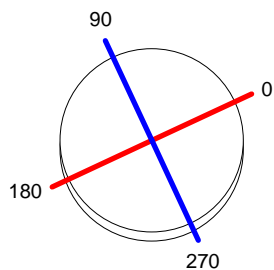
**71-1926-14-00**

Structure material: Aluminium  
Dimensions: 113 x 0 x 23  
Net weight (kg): 0.06

<b>Luminaire</b>		<b>Measur.</b>		<b>Lamp</b>	
Code	35-3621	Code	35-3564	Code	L3561 25.9W 80 3000K
Name	BOND TUBE LED 25.9W 830 15°	Name	BOND TUBE LED 25.9W 830 15°	Number	1
Line	Eulumdat	Date	28-04-2014	Position	
Efficiency	100.00%	Coordinate system	CG	Total Flux	1869.56 lm
Maximum value	13886.93 cd	Position	C=0.00 G=0.00	Double Symmetrical	
Round Luminaire	Diam.	116 mm	Height	360 mm	
Round Luminous Area	Diam.	105 mm	Height	0 mm	
Horizontal Luminous Area	0.008659 m2		Emitting area on Plane 180°	0.000000 m2	
Emitting area on Plane 0°	0.000000 m2		Emitting area on Plane 270°	0.000000 m2	
Emitting area on Plane 90°	0.000000 m2		Glare area at 76°	0.002095 m2	
Symmetry Type	Double Symmetrical		Maximum Gamma Angle	90	
Measurement Distance	0.00		Measurement Flux	1869.56 lm	
Operator	Asselum T2		Source voltage		
Temperature	25.00 °C		Source current		
Humidity	60.00 %		Photocell		
Notes					

Luminaire Lamps						
Line	Code	Name	Flux [lm]	Pow. [W]	Q.ty	
Eulumdat	L3561 25.9W 80 3000K	L3561 25.9W 80 3000K - 26.00 W	1869.56	26.00	1	
C.I.E.	98	100	100	100	100	D DIN 5040
F UTE	--					B NBN
						A60
						BZ 1

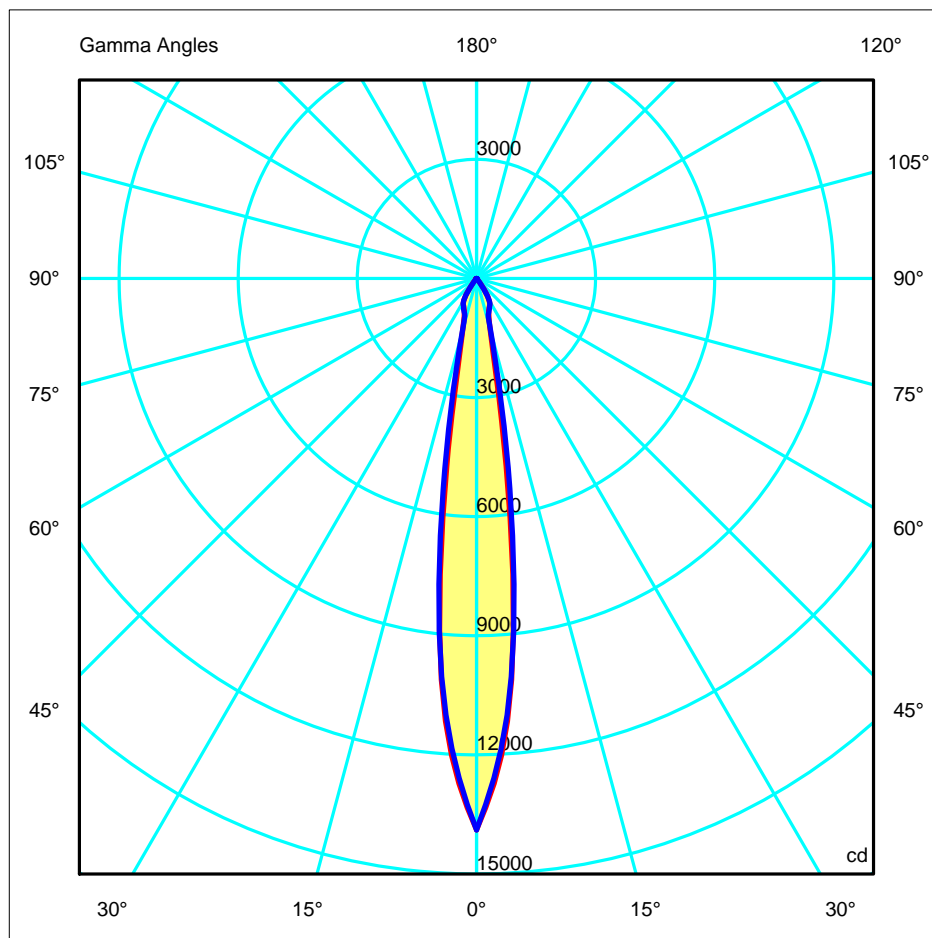
Diam=116mm



C Halfplanes

180.0 — 0.0  
270.0 — 90.0

ULOR 0.00 %  
DLOR 100.00 %  
RN 0.00 %



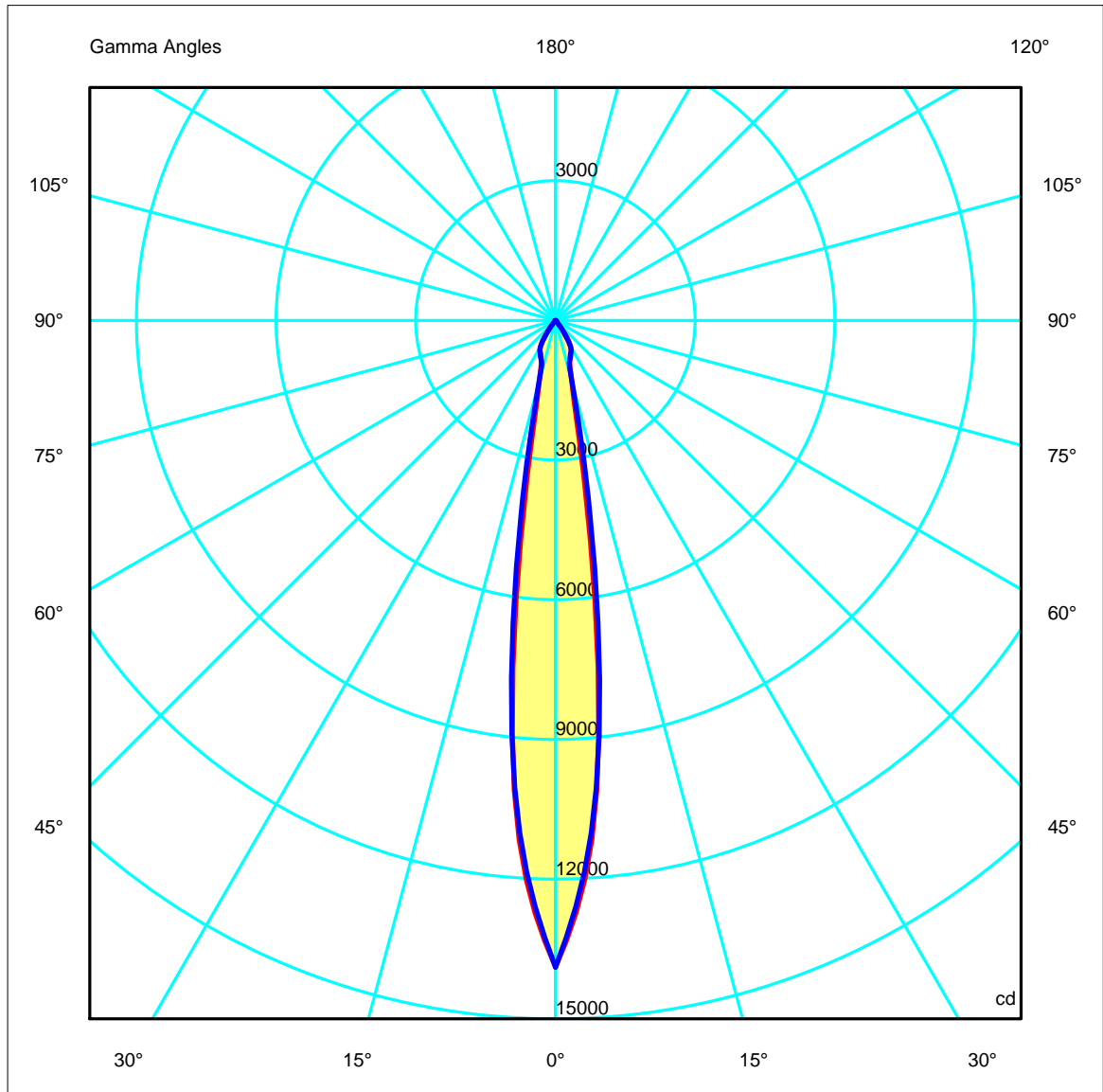
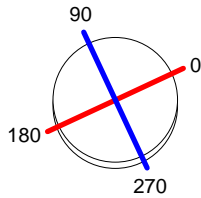
<b>Luminaire</b>	<b>Measur.</b>	<b>Lamp</b>
Code 35-3621	Code 35-3564	Code L3561 25.9W 80 3000K
Name BOND TUBE LED 25.9W 830 15°	Name BOND TUBE LED 25.9W 830 15°	Number 1
Line Eulmdat	Date 28-04-2014	Position

Efficiency 100.00%	Coordinate system CG	Total Flux 1869.56 lm
--------------------	----------------------	-----------------------

Diam=116mm

C Halfplanes

180.0 ————— 0.0  
 270.0 ————— 90.0



**Luminaire**

 Code 35-3621  
 Name BOND TUBE LED 25.9W 830 15°  
 Line Eulumdat

**Measur.**

 Code 35-3564  
 Name BOND TUBE LED 25.9W 830 15°  
 Date 28-04-2014

**Lamp**

 Code L3561 25.9W 80 3000K  
 Number 1  
 Position

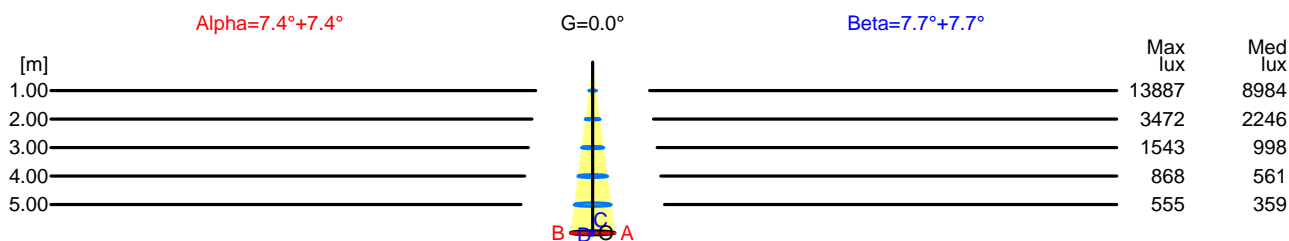
Efficiency	100.00%	Coordinate system	CG	Total Flux	1869.56 lm
------------	---------	-------------------	----	------------	------------

## Width at 50.00 % of Max Intensity

H[m]	1.00	2.00	3.00	4.00	5.00	H[m]	1.00	2.00	3.00	4.00	5.00
OA	0.13	0.26	0.39	0.52	0.65	OC	0.13	0.27	0.40	0.54	0.67
OB	0.13	0.26	0.39	0.52	0.65	OD	0.13	0.27	0.40	0.54	0.67

## Luminous Intensities [ cd ]

	0	5	15	25	35	45	55	65	75	85
OA	13886.93	10141.06	1328.39	773.69	330.99	25.57	23.64	2.19	1.18	0.33
OB	13886.93	10141.06	1328.39	773.69	330.99	25.57	23.64	2.19	1.18	0.33
OC	13886.93	10064.85	1363.68	773.58	281.00	27.46	24.38	2.37	1.20	0.36
OD	13886.93	10064.85	1363.68	773.58	281.00	27.46	24.38	2.37	1.20	0.36



H[m]	D[m]	Max lux	Med lux	$\alpha=7.4^\circ+7.4^\circ$	$G=0.0$	
1.00	0.26	13887	8984			
2.00	0.52	3472	2246			
3.00	0.78	1543	998			
4.00	1.04	868	561			
5.00	1.30	555	359			

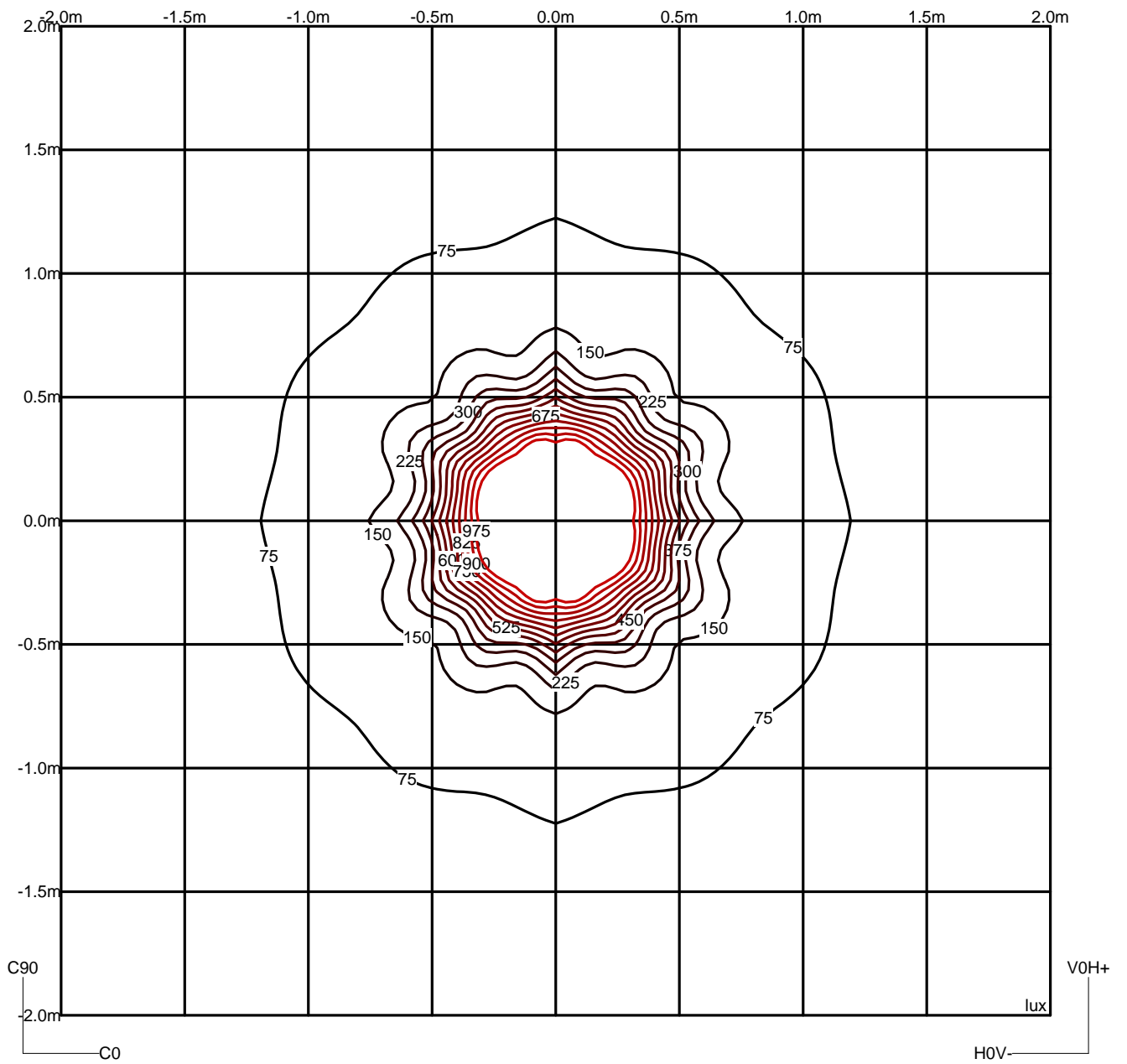
H[m]	D[m]	Max lux	Med lux	$\beta=7.7^\circ+7.7^\circ$	$G=0.0$	
1.00	0.27	13887	8984			
2.00	0.54	3472	2246			
3.00	0.81	1543	998			
4.00	1.08	868	561			
5.00	1.35	555	359			

<b>Luminaire</b>	<b>Measur.</b>	<b>Lamp</b>
Code 35-3621	Code 35-3564	Code L3561 25.9W 80 3000K
Name BOND TUBE LED 25.9W 830 15°	Name BOND TUBE LED 25.9W 830 15°	Number 1
Line Eulumdat	Date 28-04-2014	Position

Efficiency 100.00%	Coordinate system CG	Total Flux 1869.56 lm
--------------------	----------------------	-----------------------

Isolux (Floor)

Luminaire position X=0.00m Y=0.00m Z=3.00m



**Luminaire**

Code 35-3621  
 Name BOND TUBE LED 25.9W 830 15°  
 Line Eulumdat

**Measur.**

Code 35-3564  
 Name BOND TUBE LED 25.9W 830 15°  
 Date 28-04-2014

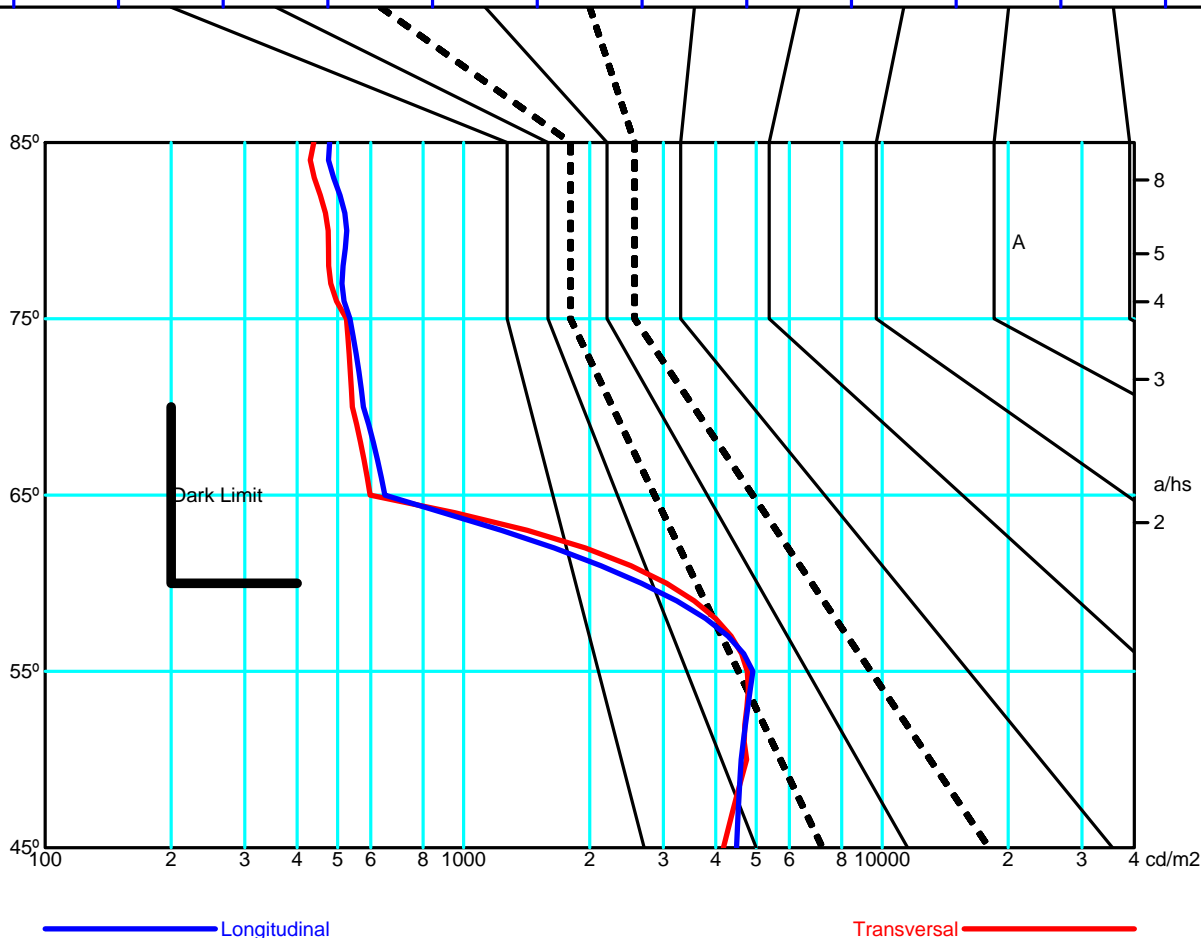
**Lamp**

Code L3561 25.9W 80 3000K  
 Number 1  
 Position

Efficiency 100.00%      Coordinate system CG      Total Flux 1869.56 lm

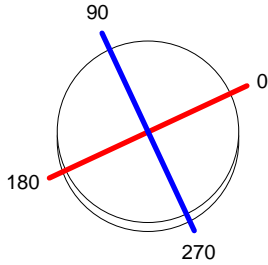
		Average Luminance [cd/m <sup>2</sup> ]										
		0.0°	45°	50°	55°	60°	65°	70°	75°	80°	85°	
0.0°		4175	4743	4760	3054	598	542	525	475	438	---	
90.0°		4485	4604	4908	2660	648	576	535	526	479	---	

Flush mounted or longitudinal view												
		Illumination(lx)										
A	A	2000	1000	750	500		<300				1.15	
B	1		2000	1500	1000	750	500	<300			1.5	
C					2000		1000	500	<300		1.85	
D	2						2000	1000	500	<300	2.2	
E	3							2000	1000	500	<300	2.55

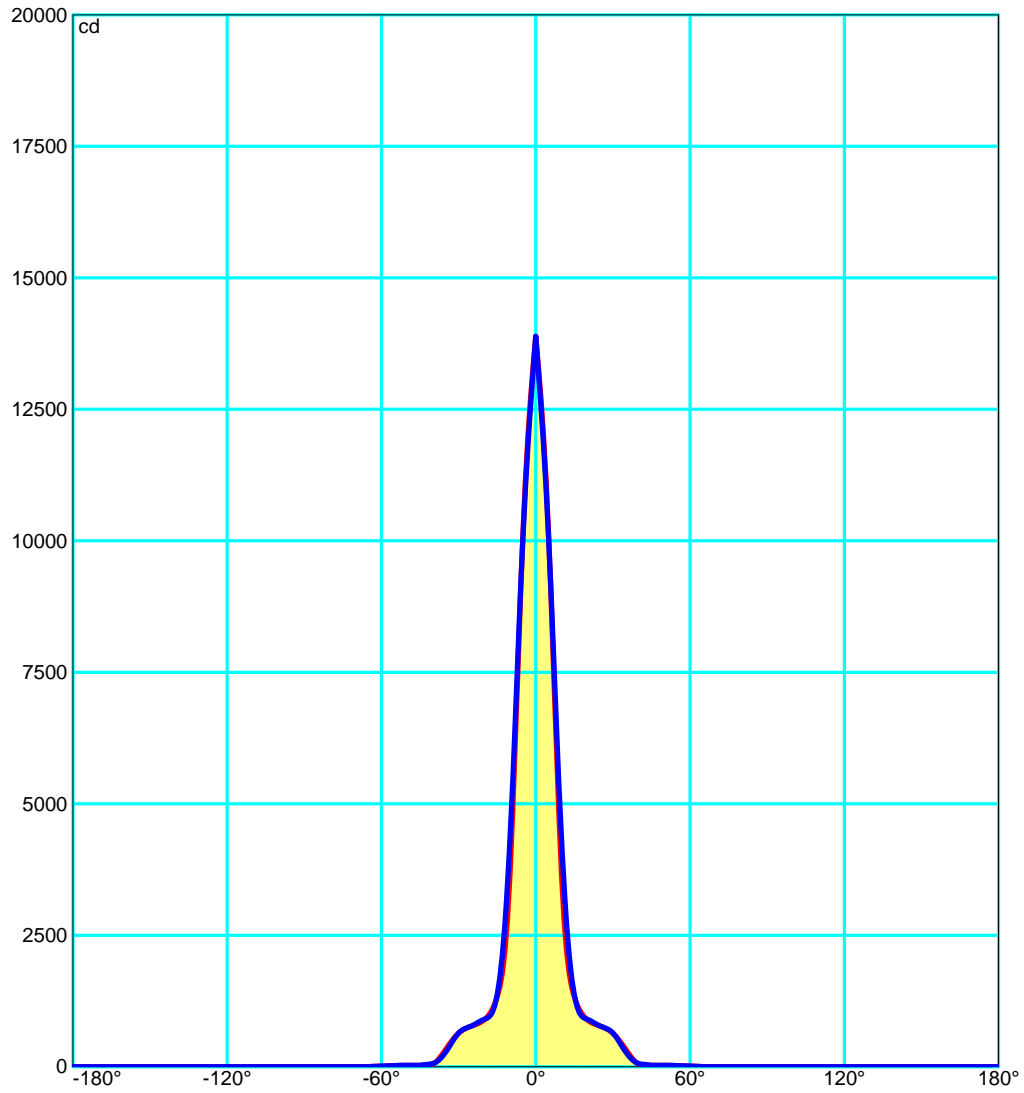
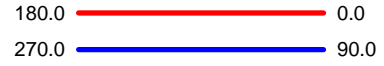


Luminaire		Measur.		Lamp	
Code	35-3621	Code	35-3564	Code	L3561 25.9W 80 3000K
Name	BOND TUBE LED 25.9W 830 15°	Name	BOND TUBE LED 25.9W 830 15°	Number	1
Line	Eulmdat	Date	28-04-2014	Position	
Efficiency	100.00%	Coordinate system	CG	Total Flux	1869.56 lm

Diam=116mm



C Halfplanes





<b>Luminaire</b>		<b>Measur.</b>		<b>Lamp</b>	
Code	35-3621	Code	35-3564	Code	L3561 25.9W 80 3000K
Name	BOND TUBE LED 25.9W 830 15°	Name	BOND TUBE LED 25.9W 830 15°	Number	1
Line	Eulumdat	Date	28-04-2014	Position	
Efficiency	100.00%	Coordinate system	CG	Total Flux	1869.56 lm

**UGR**  
S = 0.250

Reflectancies										
Ceiling/Cavity	0.7	0.7	0.5	0.5	0.3	0.7	0.7	0.5	0.5	0.3
Walls	0.5	0.3	0.5	0.3	0.3	0.5	0.3	0.5	0.3	0.3
WorkingPlane	0.2	0.2	0.2	0.2	0.2	0.2	0.2	0.2	0.2	0.2
RoomDimensions	ViewedCrosswise					ViewedEndwise				
x=2H y=2H	14.2	14.9	14.5	15.1	15.1	14.1	14.7	14.3	14.9	15.1
x=2H y=3H	14.1	14.7	14.4	14.9	15.0	14.0	14.6	14.2	14.8	15.0
x=2H y=4H	14.1	14.6	14.4	14.9	15.0	13.9	14.4	14.2	14.7	15.0
x=2H y=6H	14.0	14.5	14.3	14.8	14.9	13.8	14.3	14.1	14.6	14.9
x=2H y=8H	14.0	14.5	14.3	14.7	14.9	13.8	14.3	14.1	14.6	14.9
x=2H y=12H	13.9	14.4	14.3	14.7	14.8	13.8	14.2	14.1	14.5	14.8
x=4H y=2H	14.1	14.6	14.4	14.9	15.0	13.9	14.5	14.2	14.7	15.0
x=4H y=3H	14.0	14.4	14.3	14.7	14.9	13.8	14.3	14.1	14.5	14.9
x=4H y=4H	13.9	14.3	14.2	14.6	14.8	13.7	14.1	14.1	14.4	14.8
x=4H y=6H	13.8	14.1	14.2	14.5	14.7	13.7	14.0	14.1	14.3	14.7
x=4H y=8H	13.8	14.1	14.2	14.4	14.7	13.6	13.9	14.0	14.3	14.7
x=4H y=12H	13.7	14.0	14.2	14.4	14.7	13.6	13.8	14.0	14.2	14.7
x=8H y=4H	13.8	14.1	14.2	14.4	14.7	13.6	13.9	14.0	14.3	14.7
x=8H y=6H	13.7	13.9	14.1	14.3	14.6	13.5	13.8	14.0	14.2	14.6
x=8H y=8H	13.6	13.8	14.1	14.3	14.6	13.5	13.7	14.0	14.1	14.6
x=8H y=12H	13.6	13.8	14.1	14.2	14.5	13.5	13.6	13.9	14.1	14.5
x=12H y=4H	13.7	14.0	14.2	14.4	14.7	13.6	13.8	14.0	14.2	14.7
x=12H y=6H	13.6	13.8	14.1	14.3	14.6	13.5	13.7	14.0	14.1	14.6
x=12H y=8H	13.6	13.8	14.1	14.2	14.5	13.5	13.6	13.9	14.1	14.5

**Luminaire**

Code 35-3621  
 Name BOND TUBE LED 25.9W 830 15°  
 Line Eulumdat

**Measur.**

Code 35-3564  
 Name BOND TUBE LED 25.9W 830 15°  
 Date 28-04-2014

**Lamp**

Code L3561 25.9W 80 3000K  
 Number 1  
 Position

Efficiency 100.00%      Coordinate system CG      Total Flux 1869.56 lm

Total Flux=1869.56 Luminaire Flux=1869.55

RI	0.60	0.80	1.00	1.25	1.50	2.00	2.50	3.00	4.00	5.00	10.00	20.00
DRR	0.73	0.77	0.82	0.85	0.88	0.92	0.95	0.97	0.99	1.00	1.02	1.02
RC	-	-	-	-	-	-	-	-	-	-	-	-

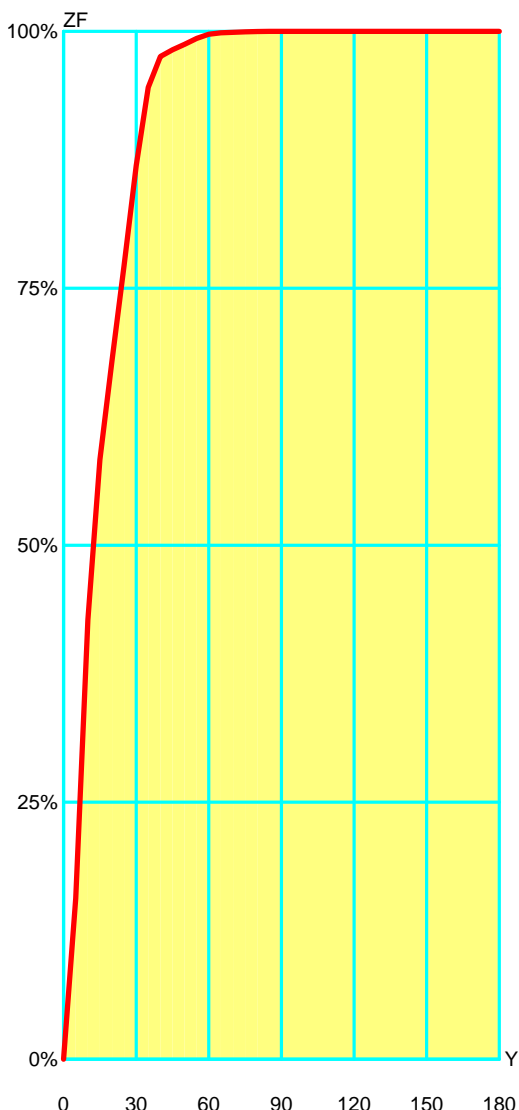
Zonal Flux per 1000 Lumen

Y°	10	20	30	40	50	60	70	80	90	100	110	120	130	140	150	160	170	180
ZF(Y)	428	680	869	976	987	997	999	1000	1000	1000	1000	1000	1000	1000	1000	1000	1000	1000

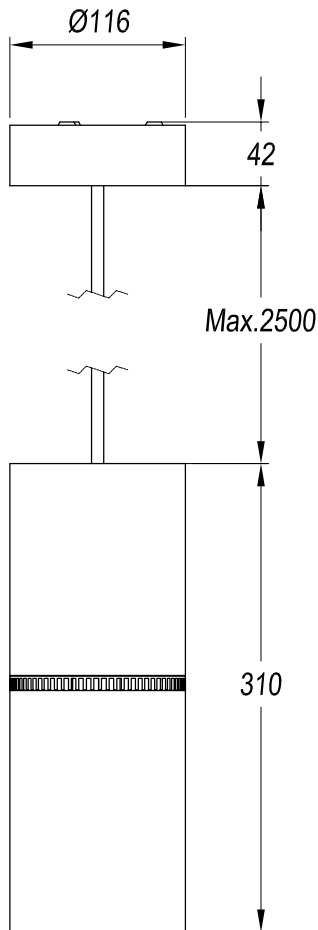
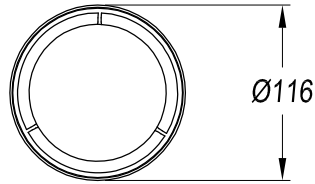
CIE Flux Codes

98 100 100 100 100

C.I.E.	-/-/-/-/-/-/-/-/-/-	LOR	99.99957 %
D DIN 5040	A60	ULOR	0.00000 %
F UTE	--	DLOR	99.99957 %
B NBN	BZ 1	UFF	0.00000 %
RN	0.00000 %	DFF	100.00000 %
BLF	1.0	FFR	0.00000 %



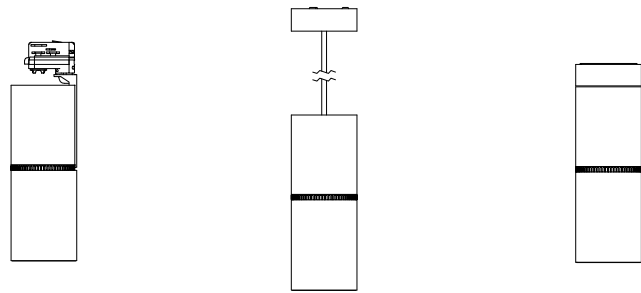
Zonal Flux				
Gamma °	Flux	Sum lm	Flux [%]	Sum [%]
0°	0.00	0.00	0.00%	0.00 %
5°	156.45	156.45	15.64 %	15.64 %
10°	271.05	427.50	27.11 %	42.75 %
15°	155.72	583.22	15.57 %	58.32 %
20°	96.90	680.12	9.69 %	68.01 %
25°	92.11	772.23	9.21 %	77.22 %
30°	97.21	869.44	9.72 %	86.94 %
35°	76.06	945.50	7.61 %	94.55 %
40°	30.07	975.57	3.01 %	97.56 %
45°	6.41	981.98	0.64 %	98.20 %
50°	5.31	987.29	0.53 %	98.73 %
55°	5.79	993.08	0.58 %	99.31 %
60°	4.00	997.08	0.40 %	99.71 %
65°	1.47	998.56	0.15 %	99.86 %
70°	0.52	999.08	0.05 %	99.91 %
75°	0.39	999.47	0.04 %	99.95 %
80°	0.28	999.74	0.03 %	99.97 %
85°	0.16	999.90	0.02 %	99.99 %
90°	0.09	1000.00	0.01 %	100.00 %
95°	0.00	1000.00	0.00 %	100.00 %
100°	0.00	1000.00	0.00 %	100.00 %
105°	0.00	1000.00	0.00 %	100.00 %
110°	0.00	1000.00	0.00 %	100.00 %
115°	0.00	1000.00	0.00 %	100.00 %
120°	0.00	1000.00	0.00 %	100.00 %
125°	0.00	1000.00	0.00 %	100.00 %
130°	0.00	1000.00	0.00 %	100.00 %
135°	0.00	1000.00	0.00 %	100.00 %
140°	0.00	1000.00	0.00 %	100.00 %
145°	0.00	1000.00	0.00 %	100.00 %
150°	0.00	1000.00	0.00 %	100.00 %
155°	0.00	1000.00	0.00 %	100.00 %
160°	0.00	1000.00	0.00 %	100.00 %
165°	0.00	1000.00	0.00 %	100.00 %
170°	0.00	1000.00	0.00 %	100.00 %
175°	0.00	1000.00	0.00 %	100.00 %
180°	0.00	1000.00	0.00 %	100.00 %



**- VERSIONS:**

TRACK / PENDANT / SURFACE

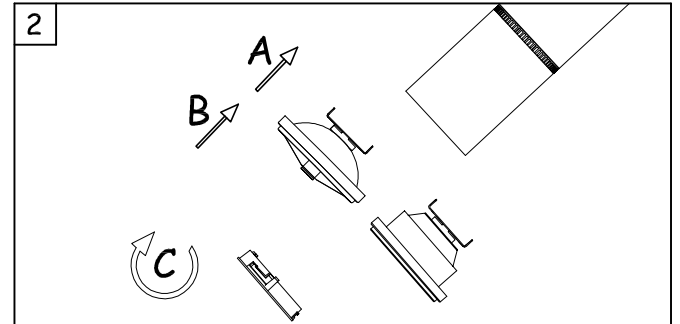
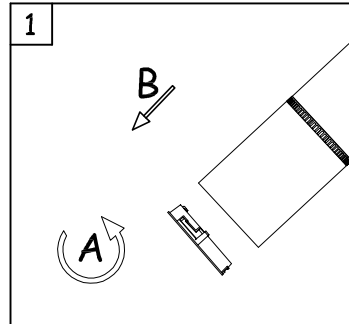
LED COB  
ZHAGA



QR-111  
G53



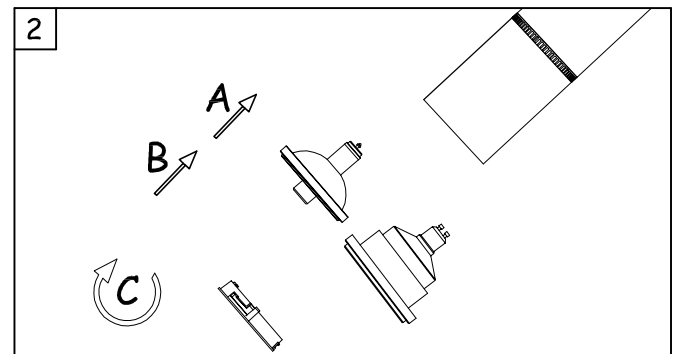
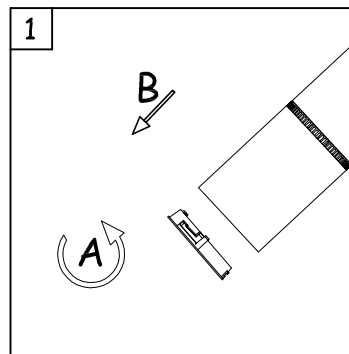
AR-111 LED  
G53



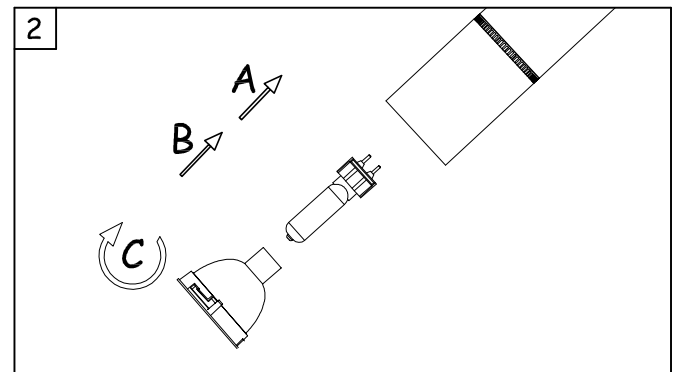
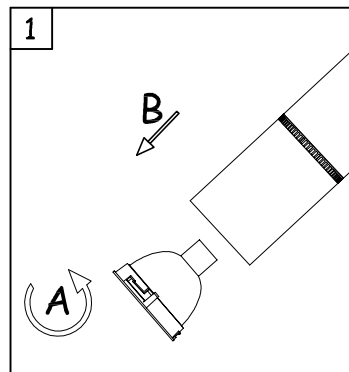
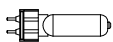
AR-111 LED  
Gu10



CDM-R111  
GX8.5

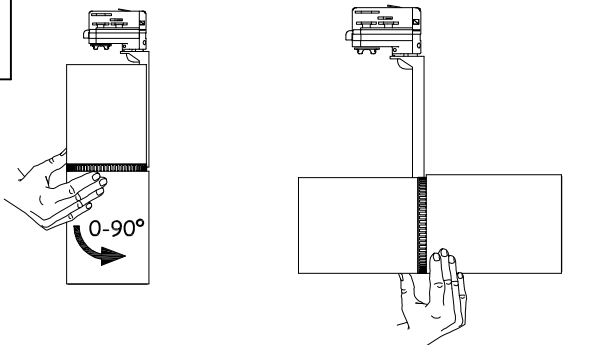


HIT-T  
G12

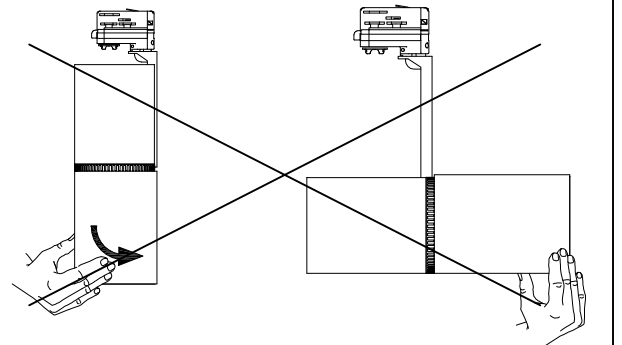


**- ROTATION:**

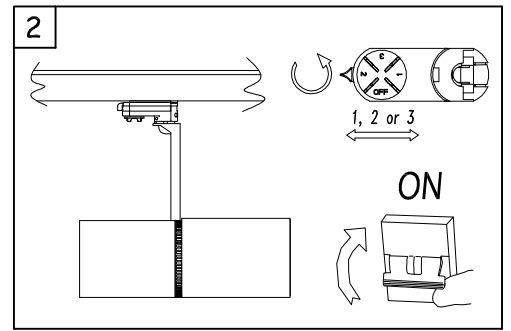
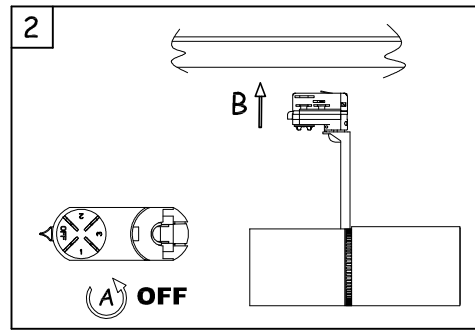
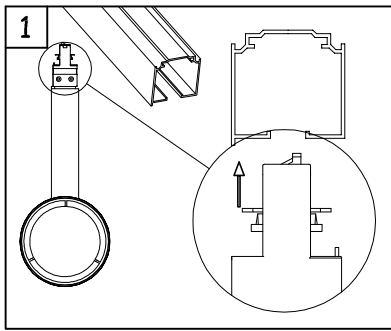
OK



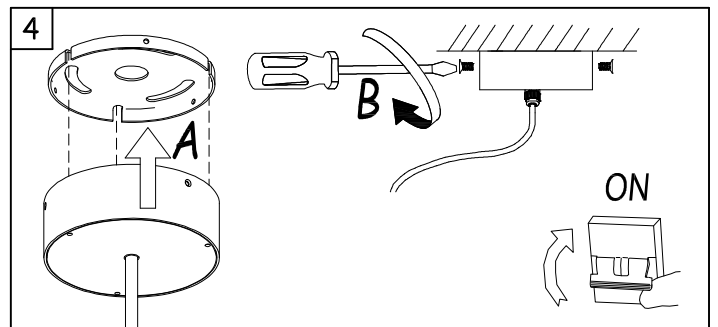
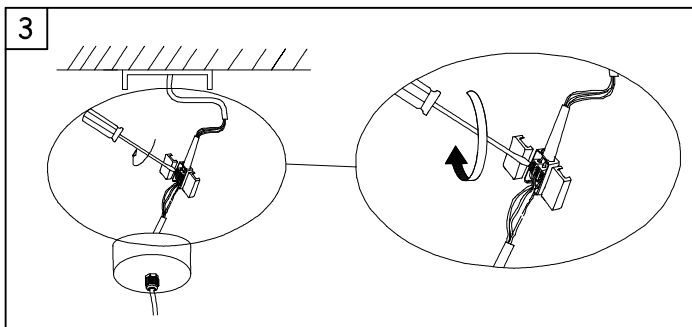
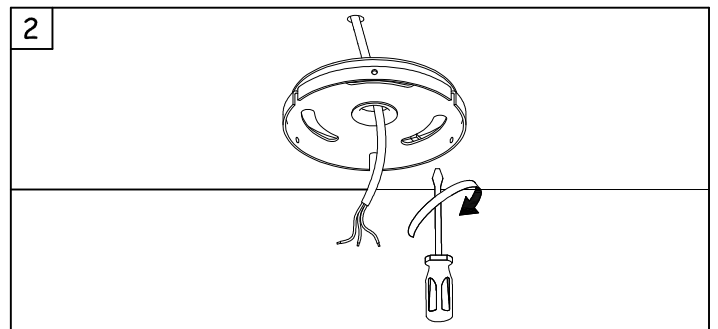
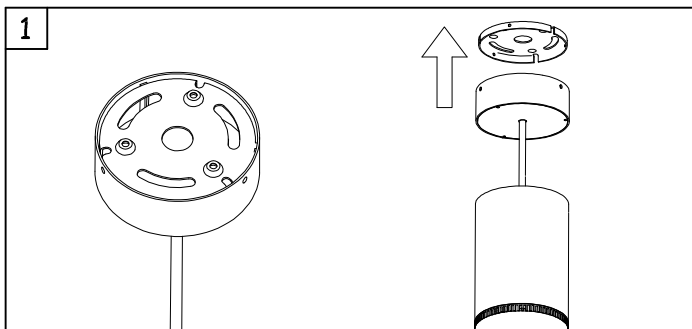
NO



**TRACK VERSION**



**PENDANT VERSION**



**SURFACE VERSION**

