

BOND TUBE Spotlight

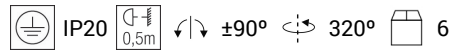
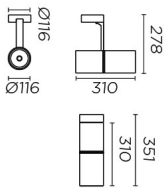
Designer: Josep Patsi



Description

Spotlight BOND TUBE 25.9W 3000K CRI 90 White

	Finish	Material
Structure	White	Aluminium
Diffuser	Transparent	Glass



TECHNICAL CHARACTERISTICS

Light source

Light source: LED CREE
 Light source power (W): 25.9W
 Luminaire total power (W): 26.7W
 Color temperature: LED warm-white
 3000K
 CRI: 90
 Photobiological risk: RG1
 Qty Leds: 1
 Bin / Grup: 30H

GEAR

Brand: PHILIPS
 Gear included: Yes, electronic
 Voltage / Frequency:
 220-240VAC/50-60Hz
 Power Factor: 0.85

Luminaire

Warranty: 2 Years

Logistics

Energy Efficiency: LED A++
 EAN Code: 8435381445966
 Net Weight (Kg): 2.03
 Weight in Kg (packaged): 2.26
 Packing: 120 x 120 x 370
 Masterbox: 6

The photograph may not match the reference exactly. Please read the product description to identify the finish.

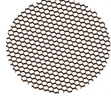
OPTIONAL ACCESSORIES



ACT-9127-08-00

Colour filter for HIT-T lamp, Green

Structure material:
Net Weight (Kg): 0.06



ACT-9135-60-00

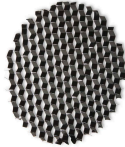
Honeycomb, Black

Structure material:
Net Weight (Kg): 0.01



71-5664-00-00

Structure material:
Dimensions: 100 x NA x 3
Net Weight (Kg): 0.02



71-5666-60-00

Structure material: Aluminium
Dimensions: 100 x NA x 3
Net Weight (Kg): 0.01



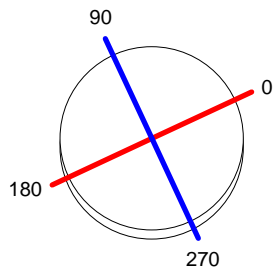
71-1926-14-00

Structure material: Aluminium
Dimensions: 113 x 0 x 23
Net Weight (Kg): 0.06

Luminaire		Measur.		Lamp	
Code	35-3596-14-37	Code	35-3565-14-37	Code	L3565 25.9W 90 3000K
Name	Projector led 25.9W 24° 3000K	Name	Projector led 21.8W 24° 4000K	Number	1
Line	- LEDS C4 LEDS	Date	28-04-2014	Position	Universal
Efficiency	100.00%	Coordinate system	CG	Total Flux	1404.77 lm
Maximum value	3974.54 cd	Position	C=0.00 G=0.00	Double Symmetrical	
Round Luminaire	Diam.	116 mm	Height	360 mm	
Round Luminous Area	Diam.	105 mm	Height	0 mm	
Horizontal Luminous Area	0.008659 m2		Emitting area on Plane 180°	0.000000 m2	
Emitting area on Plane 0°	0.000000 m2		Emitting area on Plane 270°	0.000000 m2	
Emitting area on Plane 90°	0.000000 m2		Glare area at 76°	0.002095 m2	
Symmetry Type	Double Symmetrical		Maximum Gamma Angle	90	
Measurement Distance	6.44		Measurement Flux	1646.04 lm	
Operator	Asselum T2		Source voltage	230.00 V	
Temperature	20.00 °C		Source current	Prc	
Humidity	54.00 %		Photocell		
Notes					

Luminaire Lamps						
Line	Code	Name	Flux [lm]	Pow. [W]	Q.ty	
- LEDS C4 LEDS	L3565 25.9W 90 3000K	Lámpara leds 25.9W 3000K	1404.77	26.00	1	
C.I.E.	99	100	100	100	100	D DIN 5040
F UTE	--					A60 B NBN
						A60 BZ 1

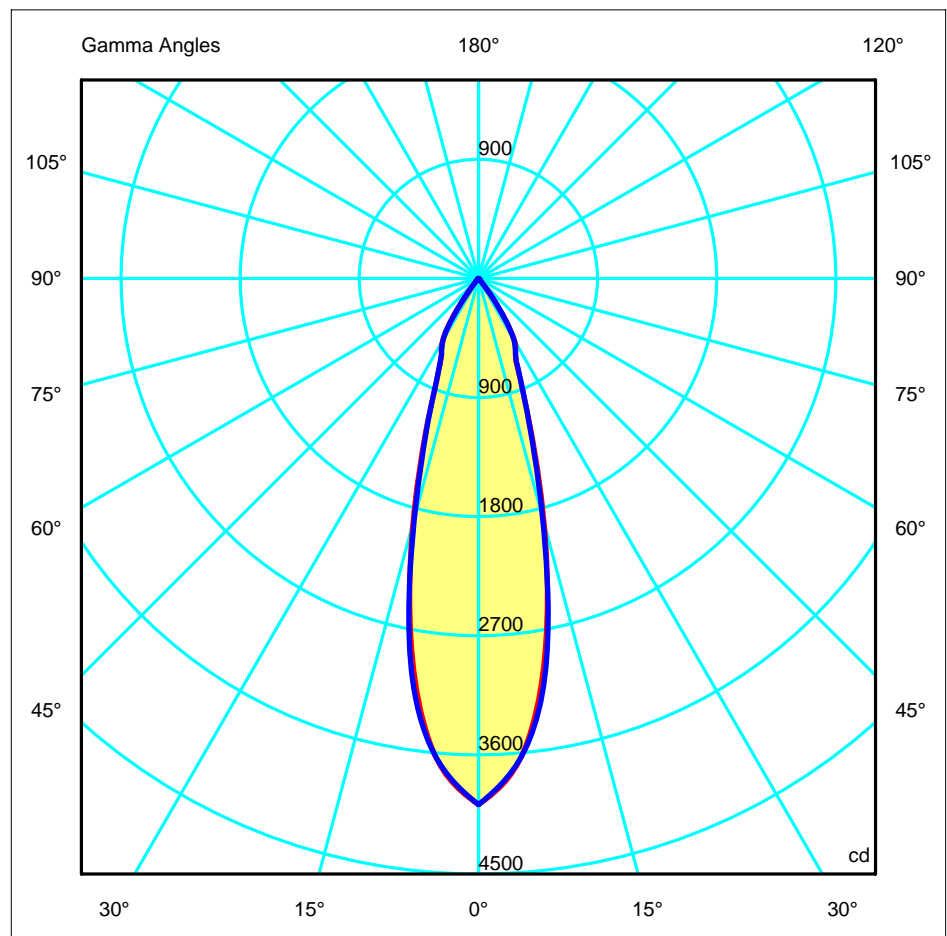
Diam=116mm



C Halfplanes

180.0 — 0.0
270.0 — 90.0

ULOR 0.00 %
DLOR 100.00 %
RN 0.00 %



Luminaire		Measur.		Lamp	
Code	35-3596-14-37	Code	35-3565-14-37	Code	L3565 25.9W 90 3000K
Name	Proyector led 25.9W 24° 3000K	Name	Proyector led 21.8W 24° 4000K	Number	1
Line	- LEDS C4 LEDS	Date	28-04-2014	Position	Universal

Efficiency	100.00%	Coordinate system	CG	Total Flux	1404.77 lm
------------	---------	-------------------	----	------------	------------

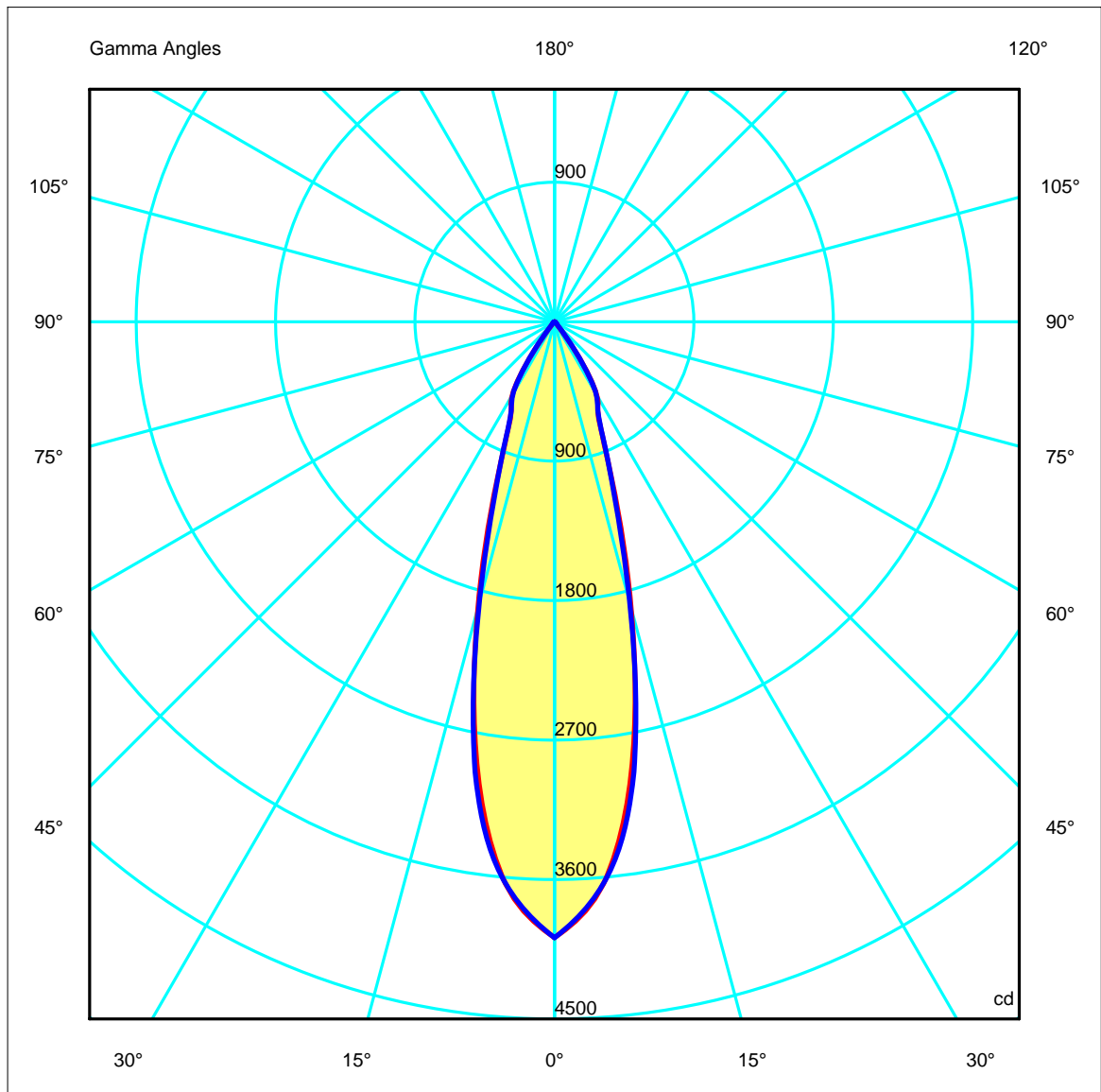
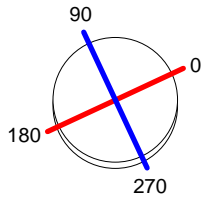
		Luminous Intensity Table cd				Table 1/1		
		C 0.00	C 15.00	C 30.00	C 45.00	C 60.00	C 75.00	C 90.00
G 0.0	3974.54	3974.54	3974.54	3974.54	3974.54	3974.54	3974.54	3974.54
G 5.0	3639.19	3680.97	3674.10	3672.02	3634.11	3672.13	3637.51	
G 10.0	2887.73	2906.48	2992.82	2913.16	2929.77	2899.82	2950.68	
G 15.0	1912.10	1995.22	1974.19	1937.95	1865.30	1963.73	1867.69	
G 20.0	1081.72	1091.22	1116.64	1094.36	1072.80	1098.13	1071.93	
G 25.0	667.47	681.85	680.07	683.46	673.06	682.91	672.85	
G 30.0	547.72	542.18	550.99	528.99	538.97	547.16	534.95	
G 35.0	243.52	254.84	291.54	259.10	255.16	251.43	256.51	
G 40.0	30.65	43.61	41.62	45.43	32.94	39.13	35.15	
G 45.0	19.90	19.75	20.32	19.78	19.66	19.71	19.54	
G 50.0	14.02	14.24	14.68	14.29	14.24	14.20	14.20	
G 55.0	8.99	9.00	9.22	8.88	8.84	9.10	8.93	
G 60.0	5.66	5.76	6.09	5.92	5.86	5.88	5.90	
G 65.0	3.26	3.37	3.61	3.32	3.37	3.45	3.30	
G 70.0	1.76	1.71	1.84	1.76	1.71	1.78	1.76	
G 75.0	0.98	0.99	1.02	1.01	1.00	0.99	1.01	
G 80.0	0.57	0.55	0.58	0.53	0.55	0.54	0.55	
G 85.0	0.25	0.26	0.26	0.26	0.23	0.26	0.23	
G 90.0	0.21	0.21	0.20	0.19	0.19	0.20	0.20	

Luminaire		Measur.		Lamp	
Code	35-3596-14-37	Code	35-3565-14-37	Code	L3565 25.9W 90 3000K
Name	Projector led 25.9W 24° 3000K	Name	Projector led 21.8W 24° 4000K	Number	1
Line	- LEDS C4 LEDS	Date	28-04-2014	Position	Universal
Efficiency	100.00%	Coordinate system	CG	Total Flux	1404.77 lm

Diam=116mm

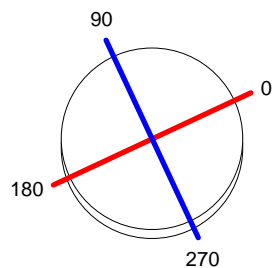
C Halfplanes

180.0 ——— 0.0
 270.0 ——— 90.0



Luminaire		Measur.		Lamp	
Code	35-3596-14-37	Code	35-3565-14-37	Code	L3565 25.9W 90 3000K
Name	Projector led 25.9W 24° 3000K	Name	Projector led 21.8W 24° 4000K	Number	1
Line	- LEDS C4 LEDS	Date	28-04-2014	Position	Universal
Efficiency	100.00%	Coordinate system	CG	Total Flux	1404.77 lm

Diam=116mm



C Halfplanes



Luminaire		Measur.		Lamp	
Code	35-3596-14-37	Code	35-3565-14-37	Code	L3565 25.9W 90 3000K
Name	Proyector led 25.9W 24° 3000K	Name	Proyector led 21.8W 24° 4000K	Number	1
Line	- LEDS C4 LEDS	Date	28-04-2014	Position	Universal
Efficiency	100.00%	Coordinate system	CG	Total Flux	1404.77 lm

UGR
S = 0.250

Reflectancies										
Ceiling/Cavity	0.7	0.7	0.5	0.5	0.3	0.7	0.7	0.5	0.5	0.3
Walls	0.5	0.3	0.5	0.3	0.3	0.5	0.3	0.5	0.3	0.3
WorkingPlane	0.2	0.2	0.2	0.2	0.2	0.2	0.2	0.2	0.2	0.2
RoomDimensions	ViewedCrosswise					ViewedEndwise				
x=2H y=2H	13.8	14.5	14.0	14.7	14.7	13.6	14.3	13.9	14.5	14.7
x=2H y=3H	13.7	14.3	14.0	14.5	14.6	13.5	14.1	13.8	14.3	14.6
x=2H y=4H	13.6	14.2	13.9	14.4	14.5	13.5	14.0	13.7	14.3	14.5
x=2H y=6H	13.5	14.1	13.9	14.3	14.4	13.4	13.9	13.7	14.2	14.4
x=2H y=8H	13.5	14.0	13.8	14.3	14.4	13.3	13.8	13.7	14.1	14.4
x=2H y=12H	13.5	13.9	13.8	14.2	14.4	13.3	13.8	13.7	14.1	14.4
x=4H y=2H	13.6	14.2	13.9	14.4	14.5	13.4	14.0	13.7	14.3	14.5
x=4H y=3H	13.5	14.0	13.8	14.3	14.4	13.3	13.8	13.7	14.1	14.4
x=4H y=4H	13.4	13.8	13.8	14.2	14.3	13.3	13.7	13.6	14.0	14.3
x=4H y=6H	13.4	13.7	13.8	14.1	14.3	13.2	13.5	13.6	13.9	14.3
x=4H y=8H	13.3	13.6	13.7	14.0	14.2	13.2	13.5	13.6	13.8	14.2
x=4H y=12H	13.3	13.5	13.7	13.9	14.2	13.1	13.4	13.6	13.8	14.2
x=8H y=4H	13.3	13.6	13.7	14.0	14.2	13.2	13.5	13.6	13.8	14.2
x=8H y=6H	13.2	13.5	13.7	13.9	14.2	13.1	13.3	13.5	13.7	14.2
x=8H y=8H	13.2	13.4	13.7	13.8	14.1	13.0	13.2	13.5	13.7	14.1
x=8H y=12H	13.2	13.3	13.7	13.8	14.1	13.0	13.1	13.5	13.6	14.1
x=12H y=4H	13.3	13.5	13.7	13.9	14.2	13.1	13.4	13.5	13.8	14.2
x=12H y=6H	13.2	13.4	13.7	13.8	14.1	13.0	13.2	13.5	13.7	14.1
x=12H y=8H	13.2	13.3	13.6	13.8	14.1	13.0	13.1	13.5	13.6	14.1

Luminaire		Measur.		Lamp	
Code	35-3596-14-37	Code	35-3565-14-37	Code	L3565 25.9W 90 3000K
Name	Proyector led 25.9W 24° 3000K	Name	Proyector led 21.8W 24° 4000K	Number	1
Line	- LEDS C4 LEDS	Date	28-04-2014	Position	Universal
Efficiency	100.00%	Coordinate system	CG	Total Flux	1404.77 lm

Total Flux=1404.77 Luminaire Flux=1404.77

RI	0.60	0.80	1.00	1.25	1.50	2.00	2.50	3.00	4.00	5.00	10.00	20.00
DRR	0.73	0.77	0.82	0.85	0.88	0.92	0.95	0.97	0.99	1.00	1.02	1.02
RC	-	-	-	-	-	-	-	-	-	-	-	-

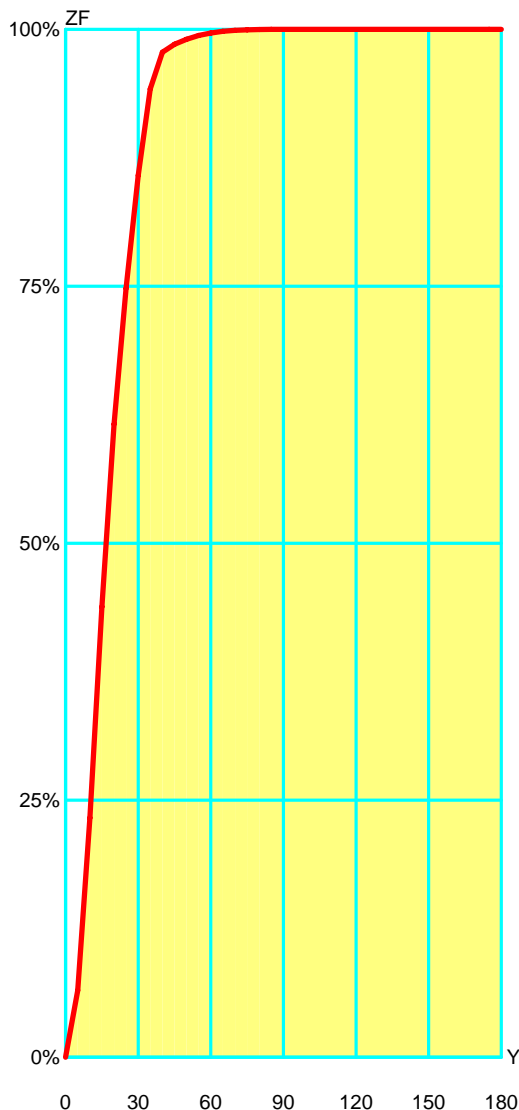
Zonal Flux per 1000 Lumen

Y°	10	20	30	40	50	60	70	80	90	100	110	120	130	140	150	160	170	180
ZF(Y)	233	616	858	978	990	996	999	1000	1000	1000	1000	1000	1000	1000	1000	1000	1000	1000

CIE Flux Codes

99 100 100 100 100

C.I.E.	-/-/-/-/-/-/-/-/-/-	LOR	99.99988 %
D DIN 5040	A60	ULOR	0.00000 %
F UTE	--	DLOR	99.99988 %
B NBN	BZ 1	UFF	0.00000 %
RN	0.00000 %	DFF	100.00000 %
BLF	1.0	FFR	0.00000 %



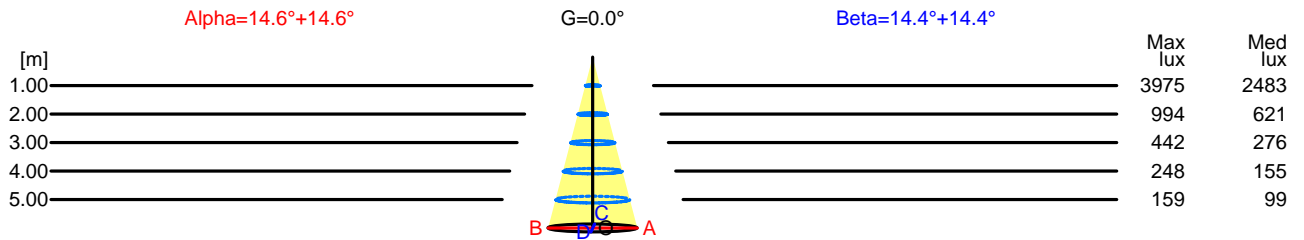
Zonal Flux				
Gamma °	Flux	Sum lm	Flux [%]	Sum [%]
0°	0.00	0.00	0.00%	0.00 %
5°	64.99	64.99	6.50 %	6.50 %
10°	167.79	232.77	16.78 %	23.28 %
15°	205.42	438.19	20.54 %	43.82 %
20°	177.73	615.92	17.77 %	61.59 %
25°	132.17	748.09	13.22 %	74.81 %
30°	109.92	858.01	10.99 %	85.80 %
35°	84.07	942.07	8.41 %	94.21 %
40°	35.59	977.66	3.56 %	97.77 %
45°	7.79	985.45	0.78 %	98.55 %
50°	4.91	990.36	0.49 %	99.04 %
55°	3.61	993.96	0.36 %	99.40 %
60°	2.45	996.41	0.24 %	99.64 %
65°	1.61	998.02	0.16 %	99.80 %
70°	0.93	998.95	0.09 %	99.89 %
75°	0.51	999.46	0.05 %	99.95 %
80°	0.30	999.76	0.03 %	99.98 %
85°	0.16	999.91	0.02 %	99.99 %
90°	0.09	1000.00	0.01 %	100.00 %
95°	0.00	1000.00	0.00 %	100.00 %
100°	0.00	1000.00	0.00 %	100.00 %
105°	0.00	1000.00	0.00 %	100.00 %
110°	0.00	1000.00	0.00 %	100.00 %
115°	0.00	1000.00	0.00 %	100.00 %
120°	0.00	1000.00	0.00 %	100.00 %
125°	0.00	1000.00	0.00 %	100.00 %
130°	0.00	1000.00	0.00 %	100.00 %
135°	0.00	1000.00	0.00 %	100.00 %
140°	0.00	1000.00	0.00 %	100.00 %
145°	0.00	1000.00	0.00 %	100.00 %
150°	0.00	1000.00	0.00 %	100.00 %
155°	0.00	1000.00	0.00 %	100.00 %
160°	0.00	1000.00	0.00 %	100.00 %
165°	0.00	1000.00	0.00 %	100.00 %
170°	0.00	1000.00	0.00 %	100.00 %
175°	0.00	1000.00	0.00 %	100.00 %
180°	0.00	1000.00	0.00 %	100.00 %

Luminaire		Measur.		Lamp	
Code	35-3596-14-37	Code	35-3565-14-37	Code	L3565 25.9W 90 3000K
Name	Projector led 25.9W 24° 3000K	Name	Projector led 21.8W 24° 4000K	Number	1
Line	- LEDS C4 LEDS	Date	28-04-2014	Position	Universal
Efficiency	100.00%	Coordinate system	CG	Total Flux	1404.77 lm

Width at 50.00 % of Max Intensity

H[m]	1.00	2.00	3.00	4.00	5.00	H[m]	1.00	2.00	3.00	4.00	5.00
OA	0.26	0.52	0.78	1.04	1.30	OC	0.26	0.51	0.77	1.03	1.29
OB	0.26	0.52	0.78	1.04	1.30	OD	0.26	0.51	0.77	1.03	1.29

	Luminous Intensities [cd]									
	0	5	15	25	35	45	55	65	75	85
OA	3974.54	3639.19	1912.10	667.47	243.52	19.90	8.99	3.26	0.98	0.25
OB	3974.54	3639.19	1912.10	667.47	243.52	19.90	8.99	3.26	0.98	0.25
OC	3974.54	3637.51	1867.69	672.85	256.51	19.54	8.93	3.30	1.01	0.23
OD	3974.54	3637.51	1867.69	672.85	256.51	19.54	8.93	3.30	1.01	0.23



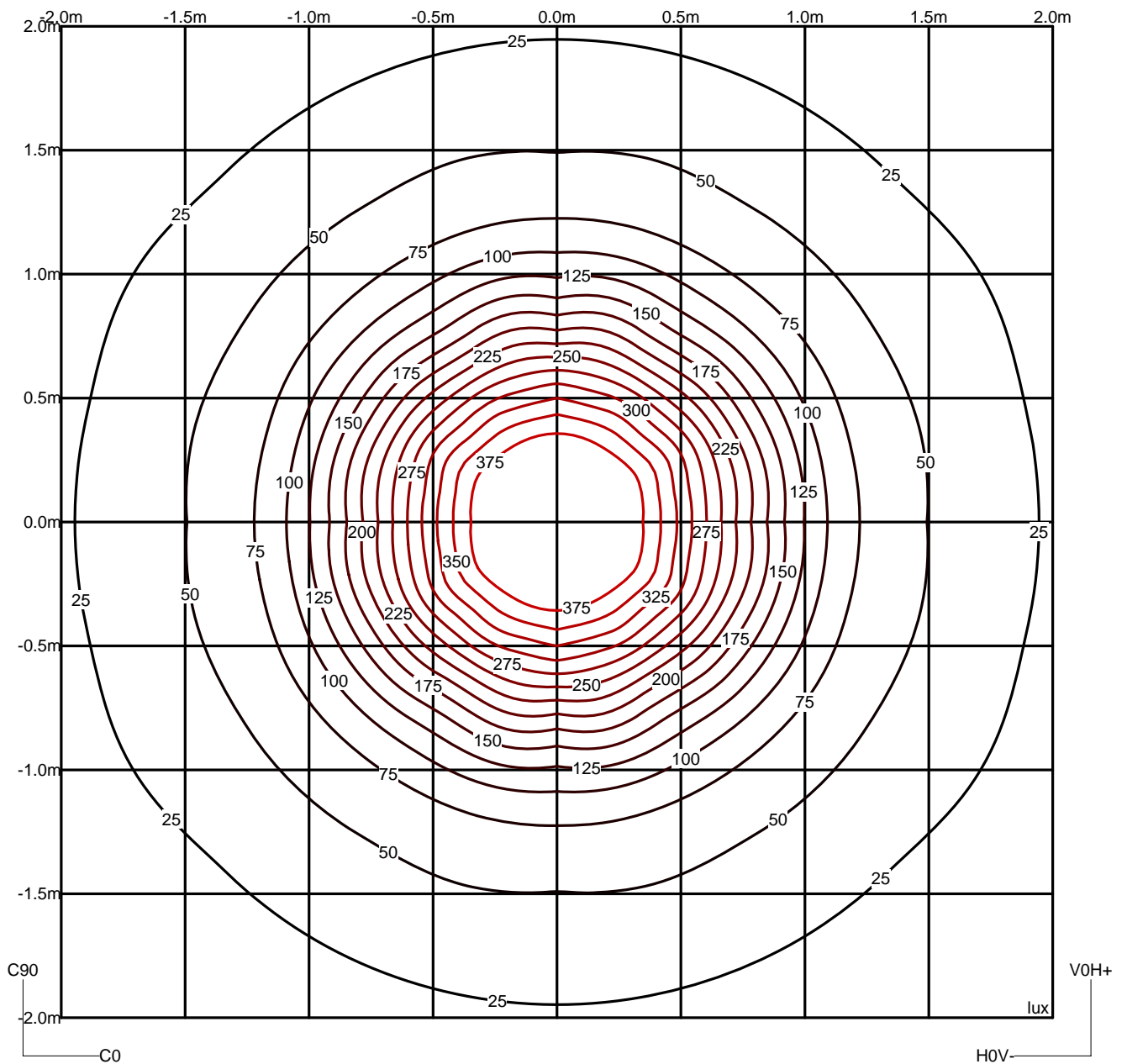
H[m]	D[m]	Max lux	Med lux	Alpha=14.6°+14.6°	G=0.0
1.00	0.52	3975	2483		
2.00	1.04	994	621		
3.00	1.56	442	276		
4.00	2.09	248	155		
5.00	2.61	159	99		

H[m]	D[m]	Max lux	Med lux	Beta=14.4°+14.4°	G=0.0
1.00	0.51	3975	2483		
2.00	1.03	994	621		
3.00	1.54	442	276		
4.00	2.06	248	155		
5.00	2.57	159	99		

Luminaire		Measur.		Lamp	
Code	35-3596-14-37	Code	35-3565-14-37	Code	L3565 25.9W 90 3000K
Name	Projector led 25.9W 24° 3000K	Name	Projector led 21.8W 24° 4000K	Number	1
Line	- LEDS C4 LEDS	Date	28-04-2014	Position	Universal
Efficiency	100.00%	Coordinate system	CG	Total Flux	1404.77 lm

Isolux (Floor)

Luminaire position X=0.00m Y=0.00m Z=3.00m



Luminaire	Measur.	Lamp
Code 35-3596-14-37	Code 35-3565-14-37	Code L3565 25.9W 90 3000K
Name Proyector led 25.9W 24° 3000K	Name Proyector led 21.8W 24° 4000K	Number 1
Line - LEDS C4 LEDS	Date 28-04-2014	Position Universal

Efficiency	100.00%	Coordinate system	CG	Total Flux	1404.77 lm
------------	---------	-------------------	----	------------	------------

Utilizations CIE

Mounting	Direct	NormalizatiNormalised										Suspension Ratio3					Standard CIE Settings						
Ceiling																							
K	8873	8773	8871	8771	7773	7771	7753	7553	7751	7551	7731	7331	7711	7111	5551	5531	5331	5511	5111	3331	3311	1111	0000
0.60	161	144	90	81	137	78	94	80	50	43	31	24	18	12	40	25	22	14	12	21	12	11	0
0.80	194	178	99	91	169	87	123	108	60	52	40	32	25	19	49	33	30	21	18	29	18	16	0
1.00	217	202	100	93	192	89	147	131	65	58	47	38	32	25	55	40	36	28	24	35	24	22	0
1.25	241	227	102	96	216	92	173	157	71	64	54	46	40	32	61	47	43	35	31	41	31	28	0
1.50	258	245	102	98	234	94	193	178	75	69	59	51	46	38	65	52	49	41	37	47	37	34	0
2.00	282	271	100	96	258	93	224	210	79	74	67	60	56	49	70	60	57	51	47	55	47	43	0
2.50	297	288	97	95	275	92	246	233	81	77	72	66	64	57	74	66	63	59	55	61	55	51	0
3.00	309	300	95	93	287	91	263	251	83	80	76	70	70	63	76	70	68	65	61	65	61	57	0
4.00	326	319	95	94	305	92	286	276	86	84	82	77	78	72	81	77	75	73	69	72	69	65	0
5.00	337	331	96	95	317	92	302	293	89	87	86	82	83	78	84	81	79	79	75	77	75	71	0
10.00	361	358	97	96	343	94	337	332	95	93	95	93	95	92	91	91	90	91	89	88	88	85	0
20.00	374	373	98	98	358	97	357	354	98	98	100	99	102	100	95	97	96	99	97	94	96	93	0

Wall

K	8873	8773	8871	8771	7773	7771	7753	7553	7751	7551	7731	7331	7711	7111	5551	5531	5331	5511	5111	3331	3311	1111	0000
0.60	278	269	189	184	265	182	208	202	147	144	123	120	106	104	142	121	120	105	104	119	104	103	81
0.80	311	301	201	197	294	194	239	231	162	158	139	135	121	119	155	135	134	119	118	132	118	117	90
1.00	325	315	198	194	306	190	255	246	163	159	142	138	126	122	156	138	136	123	121	134	121	120	90
1.25	341	331	197	194	320	190	273	263	166	162	147	143	132	128	158	142	140	129	127	138	126	124	91
1.50	352	342	195	192	329	188	286	275	167	163	150	145	136	132	158	144	142	132	129	139	128	125	90
2.00	352	343	175	173	327	168	291	281	153	150	140	135	129	124	144	133	131	123	121	127	119	115	76
2.50	344	336	154	152	318	147	288	278	135	133	126	122	117	112	126	118	116	111	108	111	105	100	59
3.00	332	325	131	129	305	125	280	270	116	114	109	105	102	97	107	101	99	95	92	93	89	83	40
4.00	322	317	109	108	294	103	275	266	97	95	92	89	88	83	87	83	82	80	77	75	72	66	20
5.00	311	306	89	88	282	83	266	259	79	78	76	73	73	69	69	66	65	64	62	58	56	49	1
10.00	238	235	0	0	208	0	201	196	0	0	0	0	0	0	0	0	0	0	0	0	0	0	0
20.00	103	101	0	0	72	0	71	68	0	0	0	0	0	0	0	0	0	0	0	0	0	0	0

Working Pl.

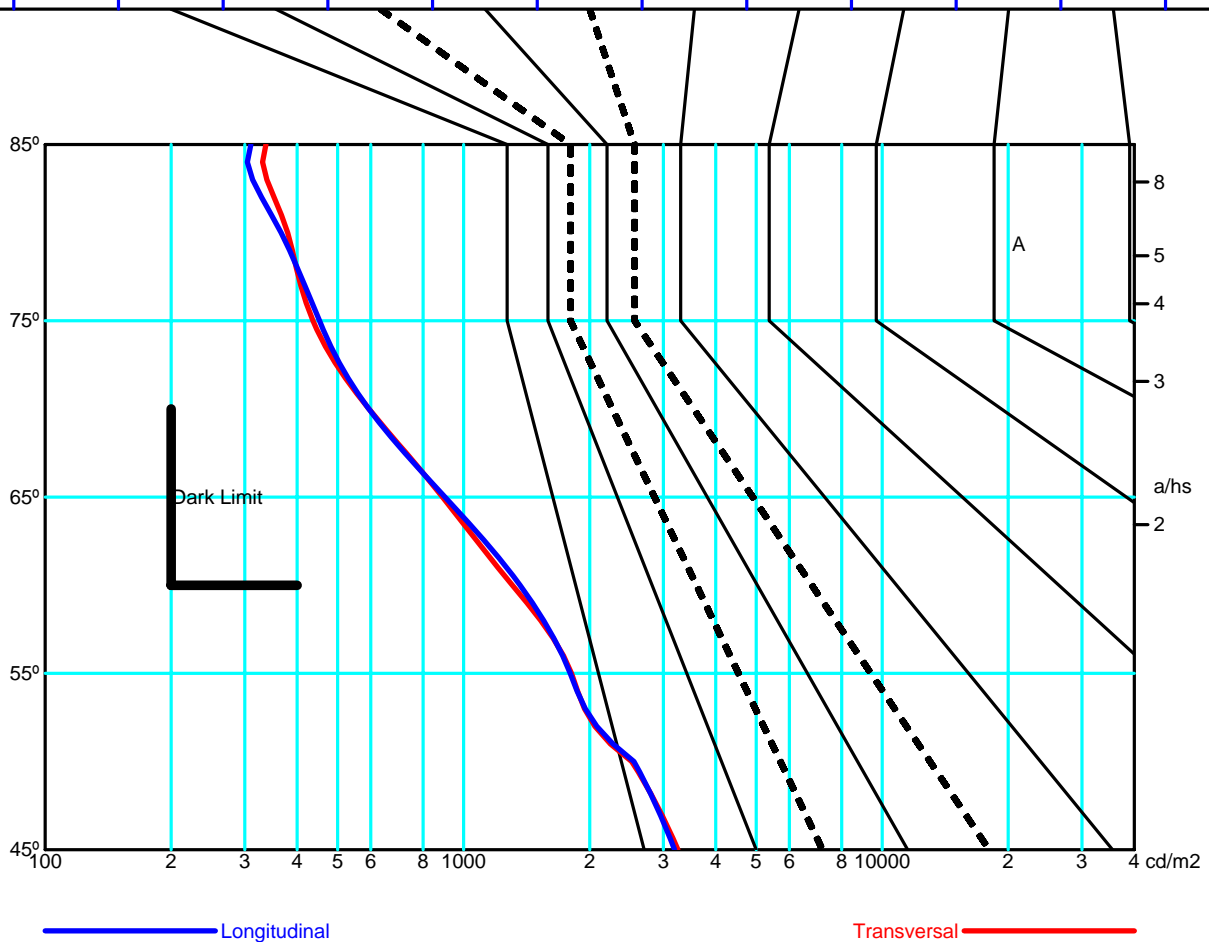
K	8873	8773	8871	8771	7773	7771	7753	7553	7751	7551	7731	7331	7711	7111	5551	5531	5331	5511	5111	3331	3311	1111	0000
0.60	909	899	848	843	894	840	825	819	795	791	764	761	742	740	789	761	760	740	740	759	739	739	731
0.80	971	960	894	889	950	885	883	874	842	838	811	807	789	785	834	807	805	786	784	804	784	783	774
1.00	1000	1000	935	930	1000	925	938	927	887	883	859	854	837	833	877	853	851	834	831	848	831	828	821
1.25	1000	1000	965	961	1000	954	984	972	921	917	896	890	875	870	910	888	886	870	867	882	866	863	855
1.50	1000	1000	987	982	1000	975	1000	1000	946	942	923	917	904	897	934	914	911	897	894	906	892	887	880
2.00	1000	1000	1000	1000	1000	1000	1000	1000	987	983	969	963	954	947	973	958	955	945	941	949	937	931	924
2.50	1000	1000	1000	1000	1000	1000	1000	1000	1000	1000	1000	1000	1000	1000	1000	1000	1000	1000	1000	1000	1000	1000	999
3.00	1000	1000	1000	1000	1000	1000	1000	1000	1000	1000	1000	1000	1000	1000	1000	1000	1000	1000	1000	1000	1000	1000	997
4.00	1000	1000	1000	1000	1000	1000	1000	1000	1000	1000	1000	1000	1000	1000	1000	1000	1000	1000	1000	1000	1000	1000	997
5.00	1000	1000	1000	1000	1000	1000	1000	1000	1000	1000	1000	1000	1000	1000	1000	1000	1000	1000	1000	1000	1000	1000	999
10.00	1000	1000	1000	1000	1000	1000	1000	1000	1000	1000	1000	1000	1000	1000	1000	1000	1000	1000	1000	1000	1000	1000	1000
20.00	1000	1000	1000	1000	1000	1000	1000	1000	1000	1000	1000	1000	1000	1000	1000	1000	1000	1000	1000	1000	1000	1000	1000

LM53 SHR C0-C180: 0.480 SHR C90-C270: 0.480 SHR Square: 0.501

Luminaire		Measur.		Lamp	
Code	35-3596-14-37	Code	35-3565-14-37	Code	L3565 25.9W 90 3000K
Name	Projector led 25.9W 24° 3000K	Name	Projector led 21.8W 24° 4000K	Number	1
Line	- LEDS C4 LEDS	Date	28-04-2014	Position	Universal
Efficiency	100.00%	Coordinate system	CG	Total Flux	1404.77 lm

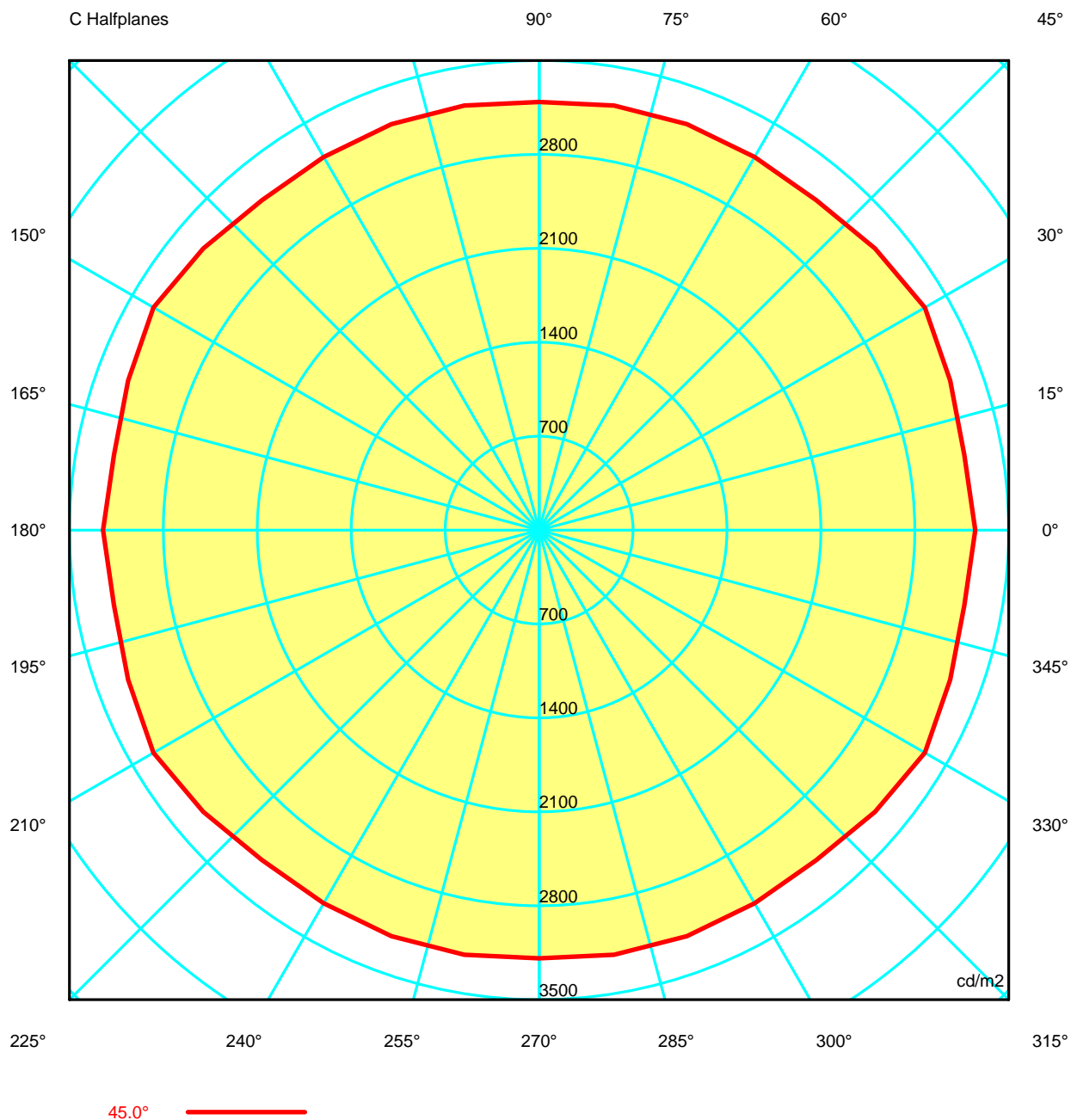
		Average Luminance [cd/m ²]										
		0.0°	45°	50°	55°	60°	65°	70°	75°	80°	85°	
0.0°		3250	2520	1810	1308	891	594	437	380	337	---	
90.0°		3191	2551	1798	1364	902	594	453	366	310	---	

Flush mounted or longitudinal view												
		Illumination(lx)										
A	A	2000	1000	750	500		<300				1.15	
B	1		2000	1500	1000	750	500	<300			1.5	
C					2000		1000	500	<300		1.85	
D	2						2000	1000	500	<300	2.2	
E	3							2000	1000	500	<300	2.55



Luminaire		Measur.		Lamp	
Code	35-3596-14-37	Code	35-3565-14-37	Code	L3565 25.9W 90 3000K
Name	Projector led 25.9W 24° 3000K	Name	Projector led 21.8W 24° 4000K	Number	1
Line	- LEDS C4 LEDS	Date	28-04-2014	Position	Universal
Efficiency	100.00%	Coordinate system	CG	Total Flux	1404.77 lm

Luminance



Luminaire	Measur.	Lamp
Code 35-3596-14-37	Code 35-3565-14-37	Code L3565 25.9W 90 3000K
Name Projector led 25.9W 24° 3000K	Name Projector led 21.8W 24° 4000K	Number 1
Line - LEDS C4 LEDS	Date 28-04-2014	Position Universal

Efficiency	100.00%	Coordinate system	CG	Total Flux	1404.77 lm
------------	---------	-------------------	----	------------	------------

	Luminance cd/m2												Table 1/3		
	C 0.00	C 10.00	C 20.00	C 30.00	C 40.00	C 50.00	C 60.00	C 70.00	C 80.00	C 90.00	C 100.00	C 110.00	C 120.00		
G 0.0	459006.44	459006.44	459006.44	459006.44	459006.44	459006.44	459006.44	459006.44	459006.44	459006.44	459006.44	459006.44	459006.44	459006.44	459006.44
G 5.0	421884.25	425737.82	426758.41	425930.70	425769.91	424000.22	421294.42	424301.63	425468.06	421689.15	425468.06	424301.63	421294.42	421884.25	425737.82
G 10.0	338639.89	340105.37	344943.58	350963.21	344824.59	341284.02	343569.60	341074.98	340838.16	346021.16	340838.16	341074.98	343569.60	338639.89	340105.37
G 15.0	228611.93	236505.61	238611.25	236035.65	234027.85	227715.21	223016.87	231404.67	233841.91	223302.66	233841.91	231404.67	223016.87	228611.93	236505.61
G 20.0	132941.84	133383.33	135311.37	137232.78	135924.35	133046.64	131845.86	134105.25	134654.00	131739.11	134654.00	134105.25	131845.86	132941.84	133383.33
G 25.0	85052.81	86514.77	86890.82	86658.92	86946.60	86640.86	85765.68	86616.42	86927.77	85738.00	86927.77	86616.42	85765.68	85052.81	86514.77
G 30.0	73039.67	72218.29	72848.52	73475.95	71431.62	70500.06	71873.14	72912.95	72646.77	71337.17	72646.77	72912.95	71873.14	73039.67	72218.29
G 35.0	34332.87	35396.88	38008.68	41101.94	38310.90	36343.22	35973.43	35631.53	35514.70	36163.82	35514.70	36163.82	35973.43	34332.87	35396.88
G 40.0	4621.32	6193.27	6546.74	6274.75	6657.66	6279.15	4966.41	5498.99	5946.97	5299.43	5946.97	5498.99	4966.41	4621.32	6193.27
G 45.0	3250.04	3217.37	3259.31	3318.41	3266.69	3211.47	3211.19	3220.18	3213.77	3190.92	3213.77	3220.18	3211.19	3250.04	3217.37
G 50.0	2519.71	2537.30	2591.20	2637.05	2594.74	2564.82	2558.90	2554.33	2551.59	2550.68	2551.59	2554.33	2558.90	2519.71	2537.30
G 55.0	1809.54	1810.91	1830.63	1856.76	1814.22	1772.45	1780.12	1819.11	1829.60	1797.66	1829.60	1819.11	1780.12	1809.54	1810.91
G 60.0	1307.80	1315.25	1359.41	1406.36	1385.47	1356.03	1352.57	1355.29	1359.22	1363.75	1359.22	1363.75	1355.29	1307.80	1315.25
G 65.0	890.57	902.47	950.29	987.71	935.00	898.98	921.74	941.84	933.94	902.25	933.94	941.84	921.74	890.57	902.47
G 70.0	593.87	575.54	591.99	621.54	608.45	583.34	577.69	593.57	602.15	593.66	602.15	593.57	577.69	593.87	575.54
G 75.0	436.59	439.10	445.79	455.50	452.60	447.09	444.30	441.06	443.50	452.61	443.50	441.06	444.30	436.59	439.10
G 80.0	379.73	365.22	373.18	385.39	364.35	357.54	363.55	359.09	356.96	366.26	356.96	359.09	363.55	379.73	365.22
G 85.0	337.04	342.69	344.01	344.75	348.08	325.66	302.09	331.22	343.36	310.15	343.36	331.22	302.09	337.04	342.69
G 90.0	0.00	0.00	0.00	0.00	0.00	0.00	0.00	0.00	0.00	0.00	0.00	0.00	0.00	0.00	0.00

Luminaire		Measur.		Lamp	
Code	35-3596-14-37	Code	35-3565-14-37	Code	L3565 25.9W 90 3000K
Name	Projector led 25.9W 24° 3000K	Name	Projector led 21.8W 24° 4000K	Number	1
Line	- LEDS C4 LEDS	Date	28-04-2014	Position	Universal

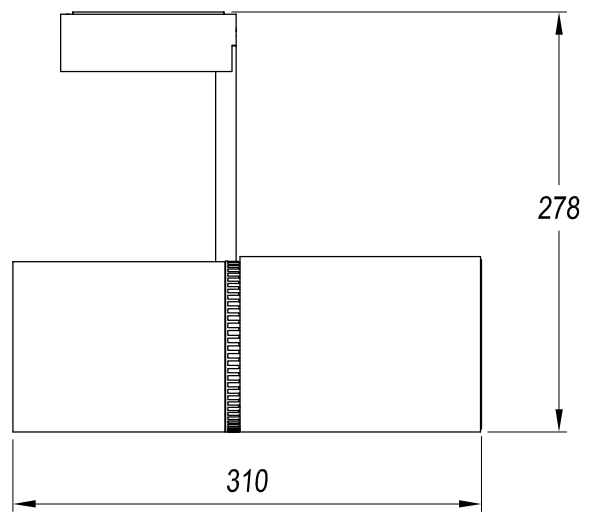
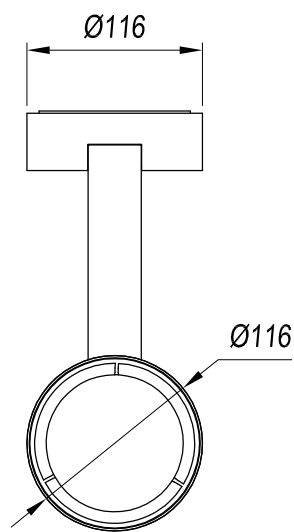
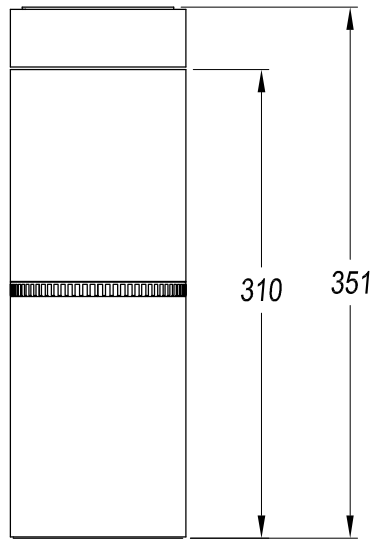
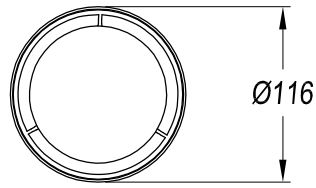
Efficiency	100.00%	Coordinate system	CG	Total Flux	1404.77 lm
------------	---------	-------------------	----	------------	------------

		Luminance cd/m2 Table 2/3												
		C 130.00	C 140.00	C 150.00	C 160.00	C 170.00	C 180.00	C 190.00	C 200.00	C 210.00	C 220.00	C 230.00	C 240.00	C 250.00
G 0.0	459006.44	459006.44	459006.44	459006.44	459006.44	459006.44	459006.44	459006.44	459006.44	459006.44	459006.44	459006.44	459006.44	459006.44
G 5.0	424000.22	425769.91	425930.70	426758.41	425737.82	421884.25	425737.82	426758.41	425930.70	425769.91	424000.22	421294.42	424301.63	424301.63
G 10.0	341284.02	344824.59	350963.21	344943.58	340105.37	338639.89	340105.37	344943.58	350963.21	344824.59	341284.02	343569.60	341074.98	341074.98
G 15.0	227715.21	234027.85	236035.65	238611.25	236505.61	228611.93	236505.61	238611.25	236035.65	234027.85	227715.21	223016.87	231404.67	231404.67
G 20.0	133046.64	135924.35	137232.78	135311.37	133383.33	132941.84	133383.33	135311.37	137232.78	135924.35	133046.64	131845.86	134105.25	134105.25
G 25.0	86640.86	86946.60	86658.92	86890.82	86514.77	85052.81	86514.77	86890.82	86658.92	86946.60	86640.86	85765.68	86616.42	86616.42
G 30.0	70500.06	71431.62	73475.95	72848.52	72218.29	73039.67	72218.29	72848.52	73475.95	71431.62	70500.06	71873.14	72912.95	72912.95
G 35.0	36343.22	38310.90	41101.94	38008.68	35396.88	34332.87	35396.88	38008.68	41101.94	38310.90	36343.22	35973.43	35631.53	35631.53
G 40.0	6279.15	6657.66	6274.75	6546.74	6193.27	4621.32	6193.27	6546.74	6274.75	6657.66	6279.15	4966.41	5498.99	5498.99
G 45.0	3211.47	3266.69	3318.41	3259.31	3217.37	3250.04	3217.37	3259.31	3318.41	3266.69	3211.47	3211.19	3220.18	3220.18
G 50.0	2564.82	2594.74	2637.05	2591.20	2537.30	2519.71	2537.30	2591.20	2637.05	2594.74	2564.82	2558.90	2554.33	2554.33
G 55.0	1772.45	1814.22	1856.76	1830.63	1810.91	1809.54	1810.91	1830.63	1856.76	1814.22	1772.45	1780.12	1819.11	1819.11
G 60.0	1356.03	1385.47	1406.36	1359.41	1315.25	1307.80	1315.25	1359.41	1406.36	1385.47	1356.03	1352.57	1355.29	1355.29
G 65.0	898.98	935.00	987.71	950.29	902.47	890.57	902.47	950.29	987.71	935.00	898.98	921.74	941.84	941.84
G 70.0	583.34	608.45	621.54	591.99	575.54	593.87	575.54	591.99	621.54	608.45	583.34	577.69	593.57	593.57
G 75.0	447.09	452.60	455.50	445.79	439.10	436.59	439.10	445.79	455.50	452.60	447.09	444.30	441.06	441.06
G 80.0	357.54	364.35	385.39	373.18	365.22	379.73	365.22	373.18	385.39	364.35	357.54	363.55	359.09	359.09
G 85.0	325.66	348.08	344.75	344.01	342.69	337.04	342.69	344.01	344.75	348.08	325.66	302.09	331.22	331.22
G 90.0	0.00	0.00	0.00	0.00	0.00	0.00	0.00	0.00	0.00	0.00	0.00	0.00	0.00	0.00

Luminaire	Measur.	Lamp
Code 35-3596-14-37	Code 35-3565-14-37	Code L3565 25.9W 90 3000K
Name Projector led 25.9W 24° 3000K	Name Projector led 21.8W 24° 4000K	Number 1
Line - LEDS C4 LEDS	Date 28-04-2014	Position Universal

Efficiency	100.00%	Coordinate system	CG	Total Flux	1404.77 lm
------------	---------	-------------------	----	------------	------------

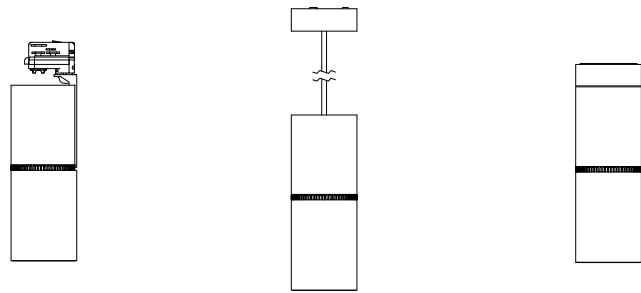
	Luminance cd/m2												Table 3/3		
	C 180.00	C 190.00	C 200.00	C 210.00	C 220.00	C 230.00	C 240.00	C 250.00	C 260.00	C 270.00	C 280.00	C 290.00	C 300.00		
G 0.0	459006.44	459006.44	459006.44	459006.44	459006.44	459006.44	459006.44	459006.44	459006.44	459006.44	459006.44	459006.44	459006.44	459006.44	459006.44
G 5.0	421884.25	425737.82	426758.41	425930.70	425769.91	424000.22	421294.42	424301.63	425468.06	421689.15	425468.06	424301.63	421294.42	421884.25	425737.82
G 10.0	338639.89	340105.37	344943.58	350963.21	344824.59	341284.02	343569.60	341074.98	340838.16	346021.16	340838.16	341074.98	343569.60	338639.89	340105.37
G 15.0	228611.93	236505.61	238611.25	236035.65	234027.85	227715.21	223016.87	231404.67	233841.91	223302.66	233841.91	231404.67	223016.87	228611.93	236505.61
G 20.0	132941.84	133383.33	135311.37	137232.78	135924.35	133046.64	131845.86	134105.25	134654.00	131739.11	134654.00	134105.25	131845.86	132941.84	133383.33
G 25.0	85052.81	86514.77	86890.82	86658.92	86946.60	86640.86	85765.68	86616.42	86927.77	85738.00	86927.77	86616.42	85765.68	85052.81	86514.77
G 30.0	73039.67	72218.29	72848.52	73475.95	71431.62	70500.06	71873.14	72912.95	72646.77	71337.17	72646.77	72912.95	71873.14	73039.67	72218.29
G 35.0	34332.87	35396.88	38008.68	41101.94	38310.90	36343.22	35973.43	35631.53	35514.70	36163.82	35514.70	35631.53	35973.43	34332.87	35396.88
G 40.0	4621.32	6193.27	6546.74	6274.75	6657.66	6279.15	4966.41	5498.99	5946.97	5299.43	5946.97	5498.99	4966.41	4621.32	6193.27
G 45.0	3250.04	3217.37	3259.31	3318.41	3266.69	3211.47	3211.19	3220.18	3213.77	3190.92	3213.77	3220.18	3211.19	3250.04	3217.37
G 50.0	2519.71	2537.30	2591.20	2637.05	2594.74	2564.82	2558.90	2554.33	2551.59	2550.68	2551.59	2554.33	2558.90	2519.71	2537.30
G 55.0	1809.54	1810.91	1830.63	1856.76	1814.22	1772.45	1780.12	1819.11	1829.60	1797.66	1829.60	1819.11	1780.12	1809.54	1810.91
G 60.0	1307.80	1315.25	1359.41	1406.36	1385.47	1356.03	1352.57	1355.29	1359.22	1363.75	1359.22	1355.29	1352.57	1307.80	1315.25
G 65.0	890.57	902.47	950.29	987.71	935.00	898.98	921.74	941.84	933.94	902.25	933.94	941.84	921.74	890.57	902.47
G 70.0	593.87	575.54	591.99	621.54	608.45	583.34	577.69	593.57	602.15	593.66	602.15	593.57	577.69	593.87	575.54
G 75.0	436.59	439.10	445.79	455.50	452.60	447.09	444.30	441.06	443.50	452.61	443.50	441.06	444.30	436.59	439.10
G 80.0	379.73	365.22	373.18	385.39	364.35	357.54	363.55	359.09	356.96	366.26	356.96	359.09	363.55	379.73	365.22
G 85.0	337.04	342.69	344.01	344.75	348.08	325.66	302.09	331.22	343.36	310.15	343.36	331.22	302.09	337.04	342.69
G 90.0	0.00	0.00	0.00	0.00	0.00	0.00	0.00	0.00	0.00	0.00	0.00	0.00	0.00	0.00	0.00



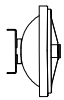
- VERSIONS:

TRACK / PENDANT / SURFACE

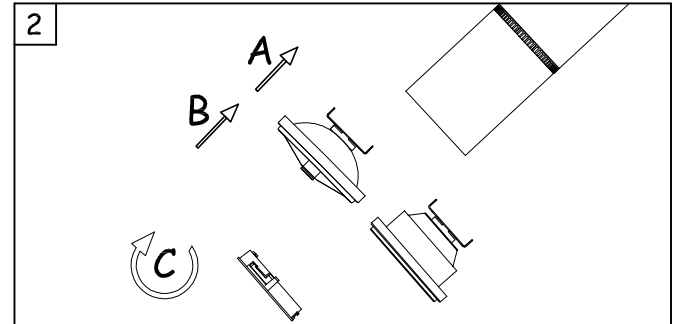
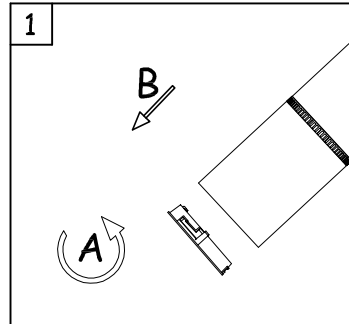
LED COB
ZHAGA



QR-111
G53



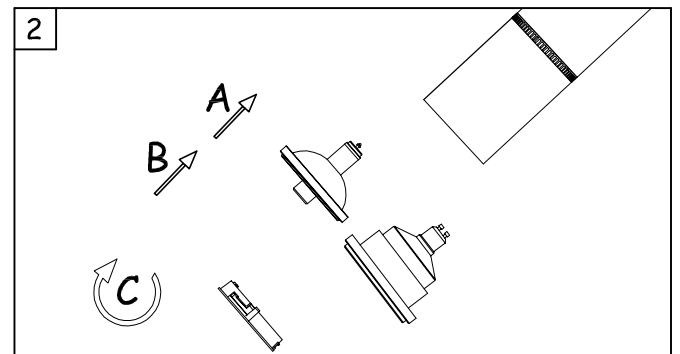
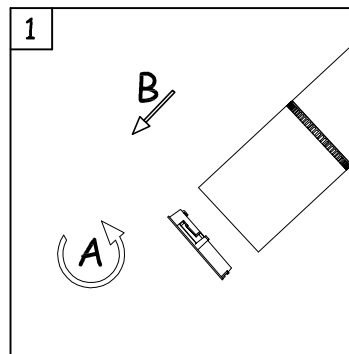
AR-111 LED
G53



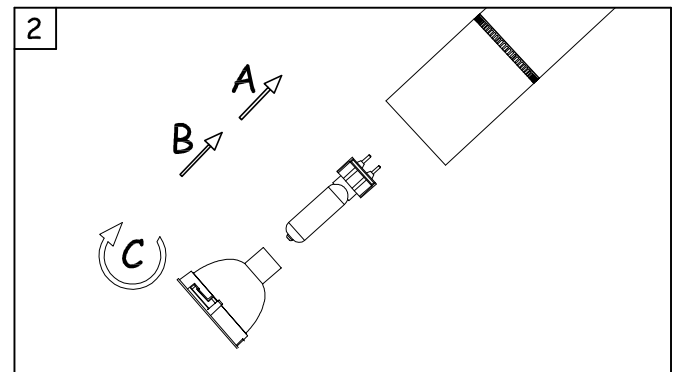
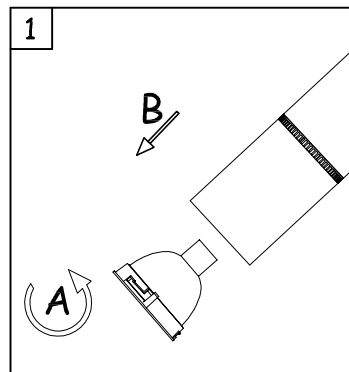
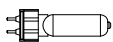
AR-111 LED
Gu10



CDM-R111
GX8.5

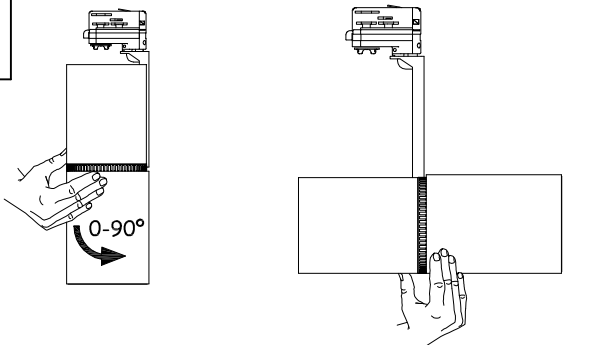


HIT-T
G12

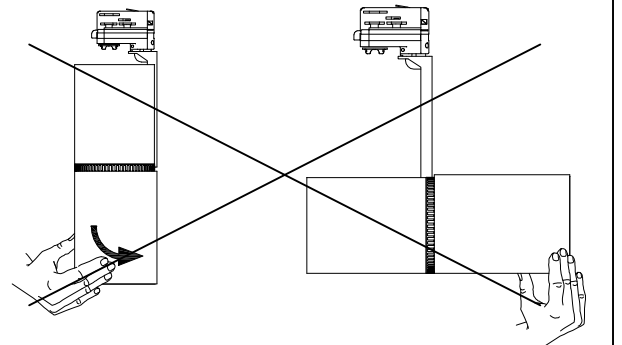


- ROTATION:

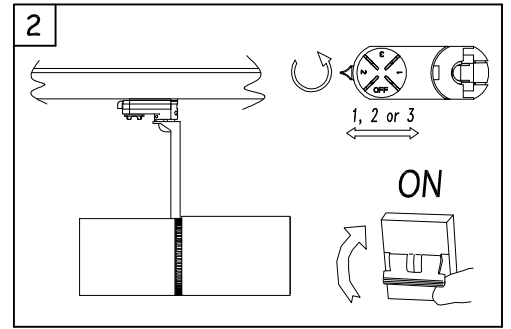
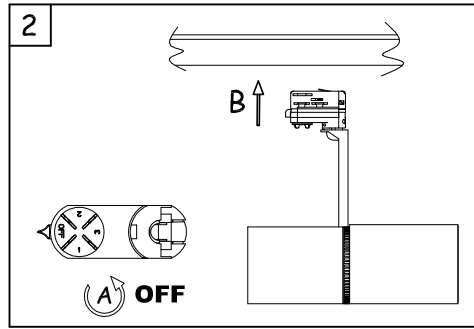
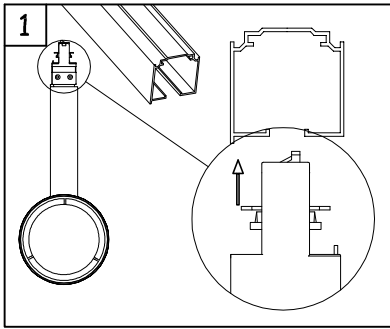
OK



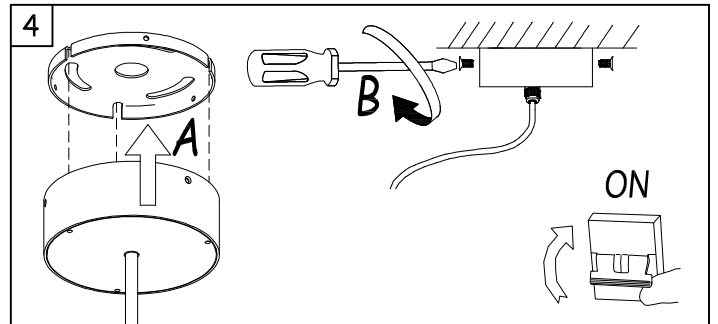
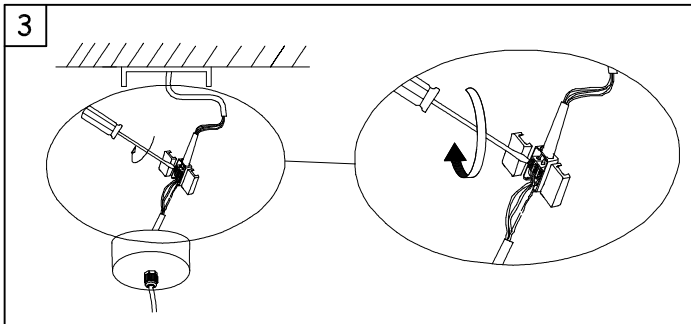
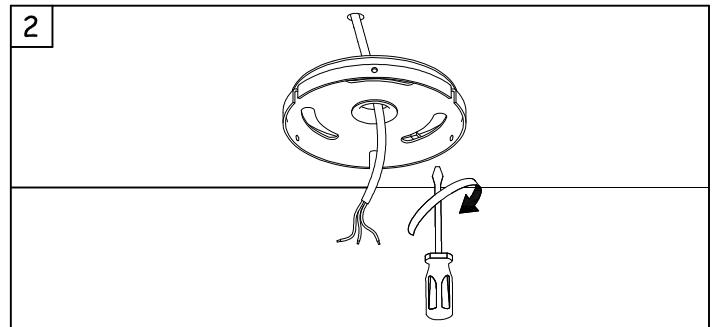
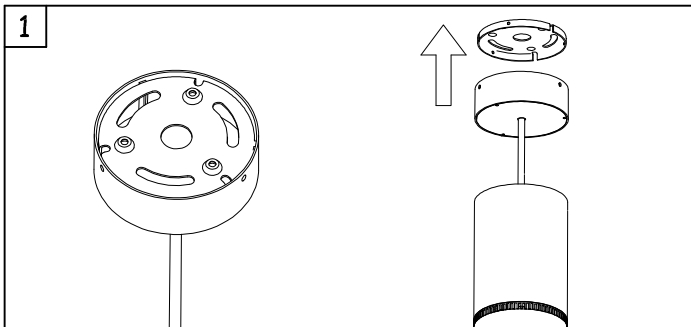
NO



TRACK VERSION



PENDANT VERSION



SURFACE VERSION

