

BOND TUBE Spotlight

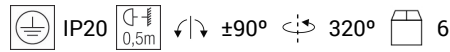
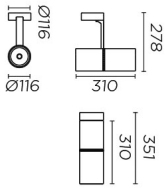
Designer: Josep Patsi



Description

Spotlight BOND TUBE 25.9W 3000K CRI 80 White 1816lm

	Finish	Material
Structure	White	Aluminium
Diffuser	Transparent	Glass



TECHNICAL CHARACTERISTICS

Light source

Light source: LED CREE
 Light source power (W): 25.9W
 Luminaire total power (W): 26.7W
 Color temperature: LED warm-white 3000K
 CRI: 80
 Photobiological risk: RG1
 Real Lumen: 1816
 Qty Leds: 1
 Lm/Real W: 68
 Bin / Grup: 30H
 UGR: 14.5

GEAR

Brand: HEP
 Gear included: Yes, electronic
 Voltage / Frequency: 100-240VAC/50-60Hz
 Power Factor: 0.85

Luminaire

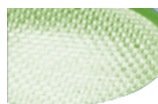
Warranty: 2 Years

Logistics

Energy Efficiency: LED A++
 EAN Code: 8435381442323
 Net Weight (Kg): 1.92
 Weight in Kg (packaged): 2.15
 Packing: 120 x 120 x 370
 Masterbox: 6

The photograph may not match the reference exactly. Please read the product description to identify the finish.

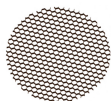
OPTIONAL ACCESSORIES



ACT-9127-08-00

Colour filter for HIT-T lamp, Green

Structure material:
Net Weight (Kg): 0.06



ACT-9135-60-00

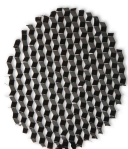
Honeycomb, Black

Structure material:
Net Weight (Kg): 0.01



71-5664-00-00

Structure material:
Dimensions: 100 x NA x 3
Net Weight (Kg): 0.02



71-5666-60-00

Structure material: Aluminium
Dimensions: 100 x NA x 3
Net Weight (Kg): 0.01



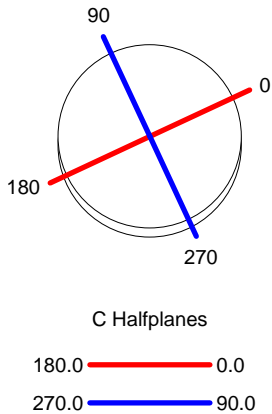
71-1926-14-00

Structure material: Aluminium
Dimensions: 113 x 0 x 23
Net Weight (Kg): 0.06

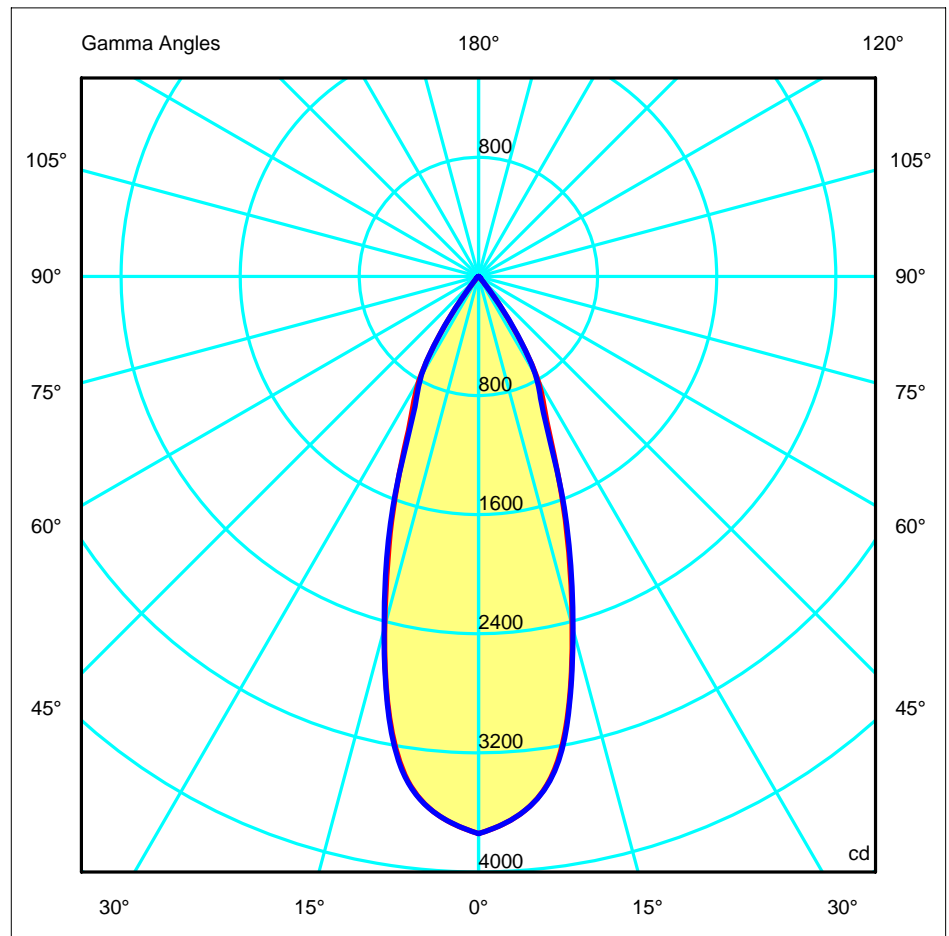
Luminaire		Measur.		Lamp	
Code	35-3591	Code	35-3566	Code	L3563 25.9W 80 3000K
Name	BOND TUBE LED 25.9W 830 36°	Name	BOND TUBE LED 25.9W 840 36°	Number	1
Line	- LEDS C4 LEDS	Date	25-04-2014	Position	Universal
Efficiency	100.00%	Coordinate system	CG	Total Flux	1815.66 lm
Maximum value	3741.99 cd	Position	C=0.00 G=0.00	Double Symmetrical	
Round Luminaire	Diam.	116 mm	Height	360 mm	
Round Luminous Area	Diam.	105 mm	Height	0 mm	
Horizontal Luminous Area	0.008659 m2		Emitting area on Plane 180°	0.000000 m2	
Emitting area on Plane 0°	0.000000 m2		Emitting area on Plane 270°	0.000000 m2	
Emitting area on Plane 90°	0.000000 m2		Glare area at 76°	0.002095 m2	
Symmetry Type	Double Symmetrical		Maximum Gamma Angle	90	
Measurement Distance	6.44		Measurement Flux	1815.66 lm	
Operator	Asselum T2		Source voltage	230.00 V	
Temperature	20.00 °C		Source current	Prc	
Humidity	54.00 %		Photocell		
Notes					

Luminaire Lamps						
Line	Code	Name	Flux [lm]	Pow. [W]	Q.ty	
- LEDS C4 LEDS	L3563 25.9W 80 3000K	Lámpara leds 25.9W 3000K	1815.66	26.00	1	
C.I.E.	98	100	100	100	100	D DIN 5040
F UTE	--					B NBN
						A60
						BZ 1

Diam=116mm



ULOR 0.00 %
DLOR 100.00 %
RN 0.00 %



Luminaire		Measur.		Lamp	
Code	35-3591	Code	35-3566	Code	L3563 25.9W 80 3000K
Name	BOND TUBE LED 25.9W 830 36°	Name	BOND TUBE LED 25.9W 840 36°	Number	1
Line	- LEDS C4 LEDS	Date	25-04-2014	Position	Universal

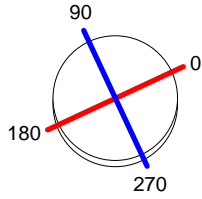
Efficiency	100.00%	Coordinate system	CG	Total Flux	1815.66 lm
Maximum value	3741.99 cd	Position	C=0.00 G=0.00	Double Symmetrical	

		Luminous Intensity Table cd				Table 1/1			
		C 0.00	C 15.00	C 30.00	C 45.00	C 60.00	C 75.00	C 90.00	
G 0.0	3741.99	3741.99	3741.99	3741.99	3741.99	3741.99	3741.99	3741.99	
G 5.0	3599.20	3590.52	3606.44	3589.61	3596.85	3598.24	3600.00		
G 10.0	3213.85	3218.82	3241.77	3215.48	3219.77	3205.97	3224.79		
G 15.0	2430.19	2422.17	2473.52	2432.88	2432.88	2440.89	2449.98		
G 20.0	1681.62	1666.78	1730.85	1687.97	1693.29	1691.58	1703.50		
G 25.0	1096.50	1066.86	1104.76	1062.47	1059.05	1077.88	1049.36		
G 30.0	789.34	776.87	783.26	778.06	758.06	770.09	768.76		
G 35.0	345.28	359.11	403.32	347.43	357.77	350.59	361.77		
G 40.0	66.72	58.32	78.19	61.12	63.00	58.11	63.49		
G 45.0	25.62	25.56	27.06	28.31	29.85	30.95	29.60		
G 50.0	16.60	17.02	17.62	18.00	18.35	21.19	18.84		
G 55.0	10.90	10.46	11.53	11.43	11.48	12.70	12.30		
G 60.0	6.88	7.00	7.32	7.05	7.28	7.74	7.56		
G 65.0	4.66	4.63	4.88	4.70	4.78	4.91	4.86		
G 70.0	2.96	2.98	3.18	3.05	3.17	3.19	3.20		
G 75.0	2.12	2.13	2.25	2.14	2.14	2.28	2.15		
G 80.0	1.15	0.69	1.19	1.01	1.01	1.06	1.12		
G 85.0	0.31	0.30	0.33	0.30	0.32	0.31	0.35		
G 90.0	0.24	0.24	0.24	0.23	0.24	0.24	0.24		

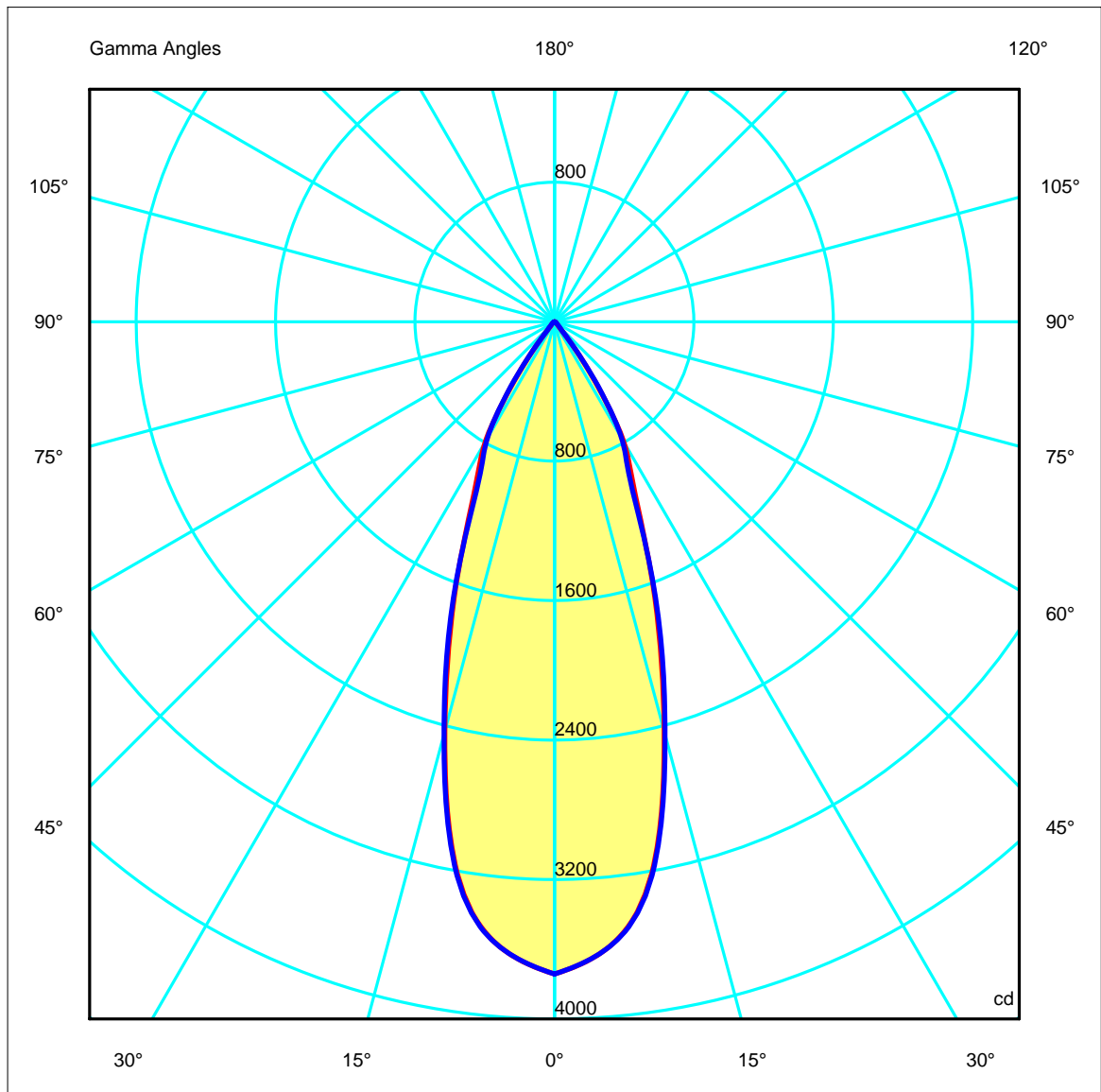
Luminaire		Measur.		Lamp	
Code	35-3591	Code	35-3566	Code	L3563 25.9W 80 3000K
Name	BOND TUBE LED 25.9W 830 36°	Name	BOND TUBE LED 25.9W 840 36°	Number	1
Line	- LEDS C4 LEDS	Date	25-04-2014	Position	Universal
Efficiency	100.00%	Coordinate system	CG	Total Flux	1815.66 lm
Maximum value	3741.99 cd	Position	C=0.00 G=0.00	Double Symmetrical	

Diam=116mm

C Halfplanes

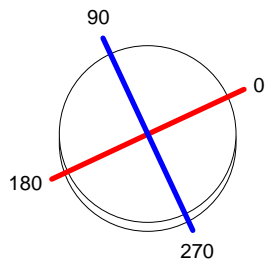


180.0 ————— 0.0
 270.0 ————— 90.0

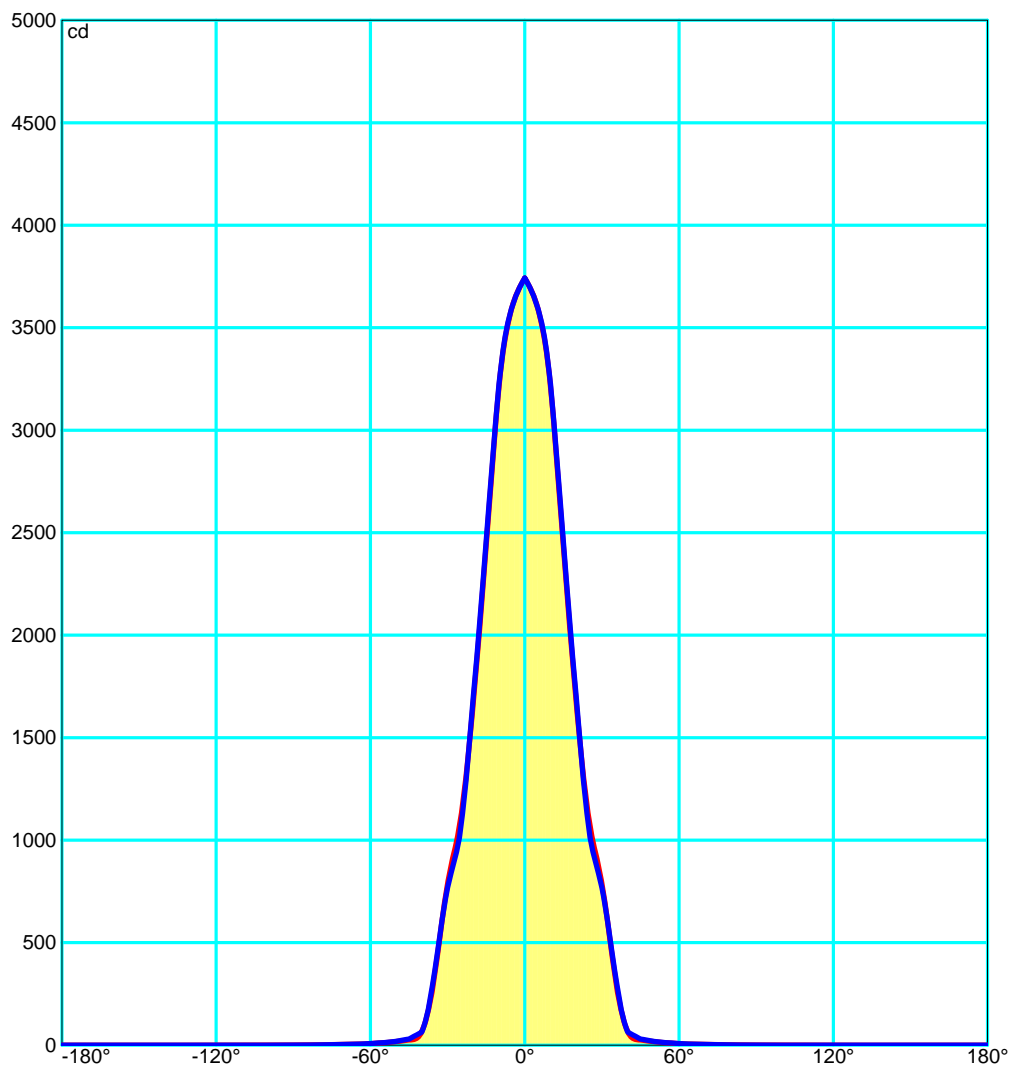


Luminaire		Measur.		Lamp	
Code	35-3591	Code	35-3566	Code	L3563 25.9W 80 3000K
Name	BOND TUBE LED 25.9W 830 36°	Name	BOND TUBE LED 25.9W 840 36°	Number	1
Line	- LEDS C4 LEDS	Date	25-04-2014	Position	Universal
Efficiency	100.00%	Coordinate system	CG	Total Flux	1815.66 lm
Maximum value	3741.99 cd	Position	C=0.00 G=0.00	Double Symmetrical	

Diam=116mm



C Halfplanes



Luminaire		Measur.		Lamp	
Code	35-3591	Code	35-3566	Code	L3563 25.9W 80 3000K
Name	BOND TUBE LED 25.9W 830 36°	Name	BOND TUBE LED 25.9W 840 36°	Number	1
Line	- LEDS C4 LEDS	Date	25-04-2014	Position	Universal
Efficiency	100.00%	Coordinate system	CG	Total Flux	1815.66 lm
Maximum value	3741.99 cd	Position	C=0.00 G=0.00	Double Symmetrical	

UGR
S = 0.250

Reflectancies										
Ceiling/Cavity	0.7	0.7	0.5	0.5	0.3	0.7	0.7	0.5	0.5	0.3
Walls	0.5	0.3	0.5	0.3	0.3	0.5	0.3	0.5	0.3	0.3
WorkingPlane	0.2	0.2	0.2	0.2	0.2	0.2	0.2	0.2	0.2	0.2
RoomDimensions	ViewedCrosswise					ViewedEndwise				
x=2H y=2H	15.3	15.9	15.5	16.1	16.1	15.1	15.7	15.3	15.9	16.1
x=2H y=3H	15.2	15.8	15.5	16.0	16.0	14.9	15.6	15.2	15.8	16.0
x=2H y=4H	15.1	15.7	15.4	15.9	16.0	14.9	15.4	15.2	15.7	16.0
x=2H y=6H	15.1	15.6	15.4	15.8	15.9	14.8	15.4	15.2	15.6	15.9
x=2H y=8H	15.0	15.5	15.4	15.8	15.9	14.8	15.3	15.1	15.6	15.9
x=2H y=12H	15.0	15.5	15.3	15.8	15.8	14.8	15.2	15.1	15.5	15.8
x=4H y=2H	15.1	15.7	15.4	15.9	15.9	14.9	15.4	15.2	15.7	15.9
x=4H y=3H	15.0	15.5	15.3	15.8	15.9	14.8	15.2	15.1	15.5	15.9
x=4H y=4H	14.9	15.3	15.3	15.7	15.8	14.7	15.1	15.1	15.4	15.8
x=4H y=6H	14.9	15.2	15.3	15.6	15.7	14.7	15.0	15.1	15.4	15.7
x=4H y=8H	14.9	15.1	15.3	15.5	15.7	14.6	14.9	15.0	15.3	15.7
x=4H y=12H	14.8	15.1	15.2	15.5	15.7	14.6	14.8	15.0	15.3	15.7
x=8H y=4H	14.8	15.1	15.3	15.5	15.7	14.6	14.9	15.0	15.3	15.7
x=8H y=6H	14.8	15.0	15.2	15.4	15.6	14.6	14.8	15.0	15.2	15.6
x=8H y=8H	14.7	14.9	15.2	15.4	15.6	14.5	14.7	15.0	15.1	15.6
x=8H y=12H	14.7	14.8	15.2	15.3	15.6	14.5	14.6	15.0	15.1	15.6
x=12H y=4H	14.8	15.1	15.2	15.5	15.7	14.6	14.8	15.0	15.2	15.7
x=12H y=6H	14.7	14.9	15.2	15.4	15.6	14.5	14.7	15.0	15.1	15.6
x=12H y=8H	14.7	14.8	15.2	15.3	15.6	14.5	14.6	15.0	15.1	15.6

Luminaire		Measur.		Lamp	
Code	35-3591	Code	35-3566	Code	L3563 25.9W 80 3000K
Name	BOND TUBE LED 25.9W 830 36°	Name	BOND TUBE LED 25.9W 840 36°	Number	1
Line	- LEDS C4 LEDS	Date	25-04-2014	Position	Universal
Efficiency	100.00%	Coordinate system	CG	Total Flux	1815.66 lm
Maximum value	3741.99 cd	Position	C=0.00 G=0.00	Double Symmetrical	

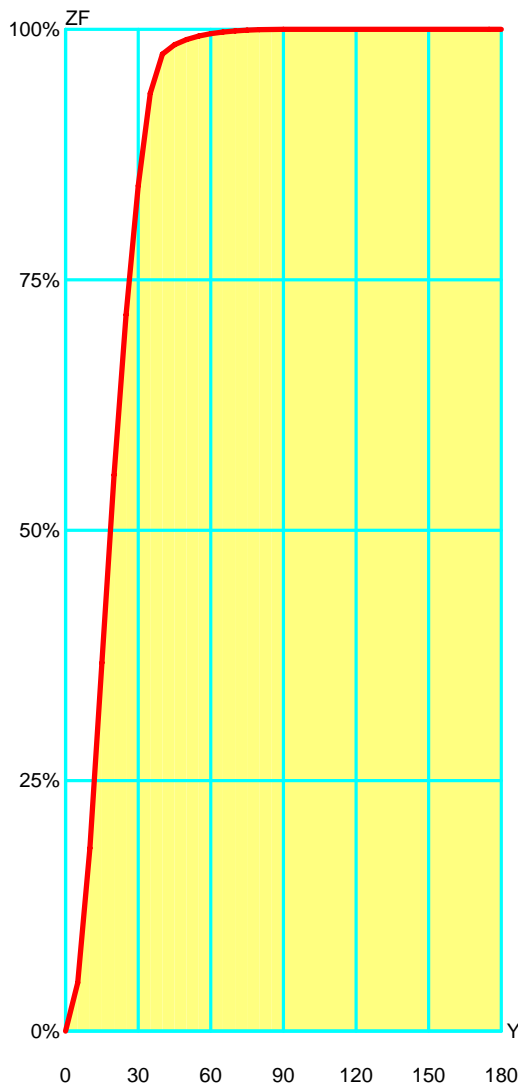
Total Flux=1815.66 Luminaire Flux=1815.66

RI	0.60	0.80	1.00	1.25	1.50	2.00	2.50	3.00	4.00	5.00	10.00	20.00
DRR	0.73	0.77	0.82	0.85	0.88	0.92	0.95	0.97	0.99	1.00	1.02	1.02
RC	-	-	-	-	-	-	-	-	-	-	-	-

Zonal Flux per 1000 Lumen																		
Y°	10	20	30	40	50	60	70	80	90	100	110	120	130	140	150	160	170	180
ZF(Y)	183	555	844	975	990	996	998	1000	1000	1000	1000	1000	1000	1000	1000	1000	1000	1000

CIE Flux Codes
98 100 100 100 100

C.I.E.	-/-/-/-/-/-/-/-/-/-	LOR	99.99973 %
D DIN 5040	A60	ULOR	0.00000 %
F UTE	--	DLOR	99.99973 %
B NBN	BZ 1	UFF	0.00000 %
RN	0.00000 %	DFF	100.00000 %
BLF	1.0	FFR	0.00000 %



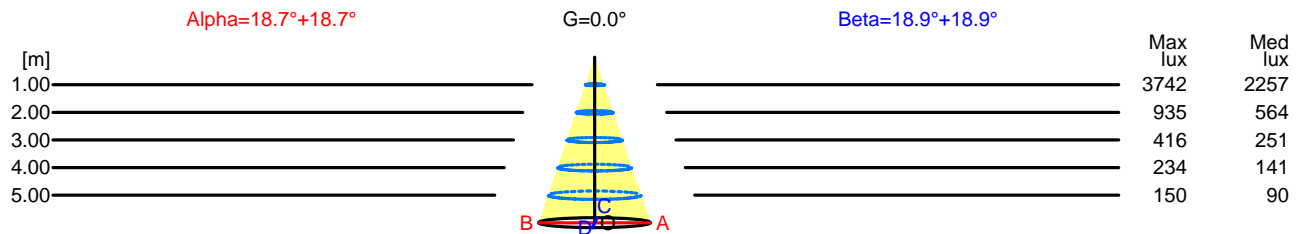
Zonal Flux				
Gamma °	Flux	Sum lm	Flux [%]	Sum [%]
0°	0.00	0.00	0.00%	0.00 %
5°	48.32	48.32	4.83 %	4.83 %
10°	134.31	182.63	13.43 %	18.26 %
15°	184.94	367.57	18.49 %	36.76 %
20°	187.66	555.23	18.77 %	55.52 %
25°	159.88	715.11	15.99 %	71.51 %
30°	128.82	843.93	12.88 %	84.39 %
35°	92.15	936.08	9.21 %	93.61 %
40°	39.14	975.22	3.91 %	97.52 %
45°	9.40	984.62	0.94 %	98.46 %
50°	5.18	989.80	0.52 %	98.98 %
55°	3.57	993.38	0.36 %	99.34 %
60°	2.39	995.77	0.24 %	99.58 %
65°	1.61	997.38	0.16 %	99.74 %
70°	1.10	998.48	0.11 %	99.85 %
75°	0.76	999.24	0.08 %	99.92 %
80°	0.47	999.71	0.05 %	99.97 %
85°	0.20	999.91	0.02 %	99.99 %
90°	0.08	1000.00	0.01 %	100.00 %
95°	0.00	1000.00	0.00 %	100.00 %
100°	0.00	1000.00	0.00 %	100.00 %
105°	0.00	1000.00	0.00 %	100.00 %
110°	0.00	1000.00	0.00 %	100.00 %
115°	0.00	1000.00	0.00 %	100.00 %
120°	0.00	1000.00	0.00 %	100.00 %
125°	0.00	1000.00	0.00 %	100.00 %
130°	0.00	1000.00	0.00 %	100.00 %
135°	0.00	1000.00	0.00 %	100.00 %
140°	0.00	1000.00	0.00 %	100.00 %
145°	0.00	1000.00	0.00 %	100.00 %
150°	0.00	1000.00	0.00 %	100.00 %
155°	0.00	1000.00	0.00 %	100.00 %
160°	0.00	1000.00	0.00 %	100.00 %
165°	0.00	1000.00	0.00 %	100.00 %
170°	0.00	1000.00	0.00 %	100.00 %
175°	0.00	1000.00	0.00 %	100.00 %
180°	0.00	1000.00	0.00 %	100.00 %


Luminaire		Measur.		Lamp	
Code	35-3591	Code	35-3566	Code	L3563 25.9W 80 3000K
Name	BOND TUBE LED 25.9W 830 36°	Name	BOND TUBE LED 25.9W 840 36°	Number	1
Line	- LEDS C4 LEDS	Date	25-04-2014	Position	Universal
Efficiency	100.00%	Coordinate system	CG	Total Flux	1815.66 lm
Maximum value	3741.99 cd	Position	C=0.00 G=0.00	Double Symmetrical	


Width at 50.00 % of Max Intensity

H[m]	1.00	2.00	3.00	4.00	5.00	H[m]	1.00	2.00	3.00	4.00	5.00
OA	0.34	0.68	1.01	1.35	1.69	OC	0.34	0.68	1.02	1.37	1.71
OB	0.34	0.68	1.01	1.35	1.69	OD	0.34	0.68	1.02	1.37	1.71

		Luminous Intensities [cd]									
		0	5	15	25	35	45	55	65	75	85
OA		3741.99	3599.20	2430.19	1096.50	345.28	25.62	10.90	4.66	2.12	0.31
OB		3741.99	3599.20	2430.19	1096.50	345.28	25.62	10.90	4.66	2.12	0.31
OC		3741.99	3600.00	2449.98	1049.36	361.77	29.60	12.30	4.86	2.15	0.35
OD		3741.99	3600.00	2449.98	1049.36	361.77	29.60	12.30	4.86	2.15	0.35



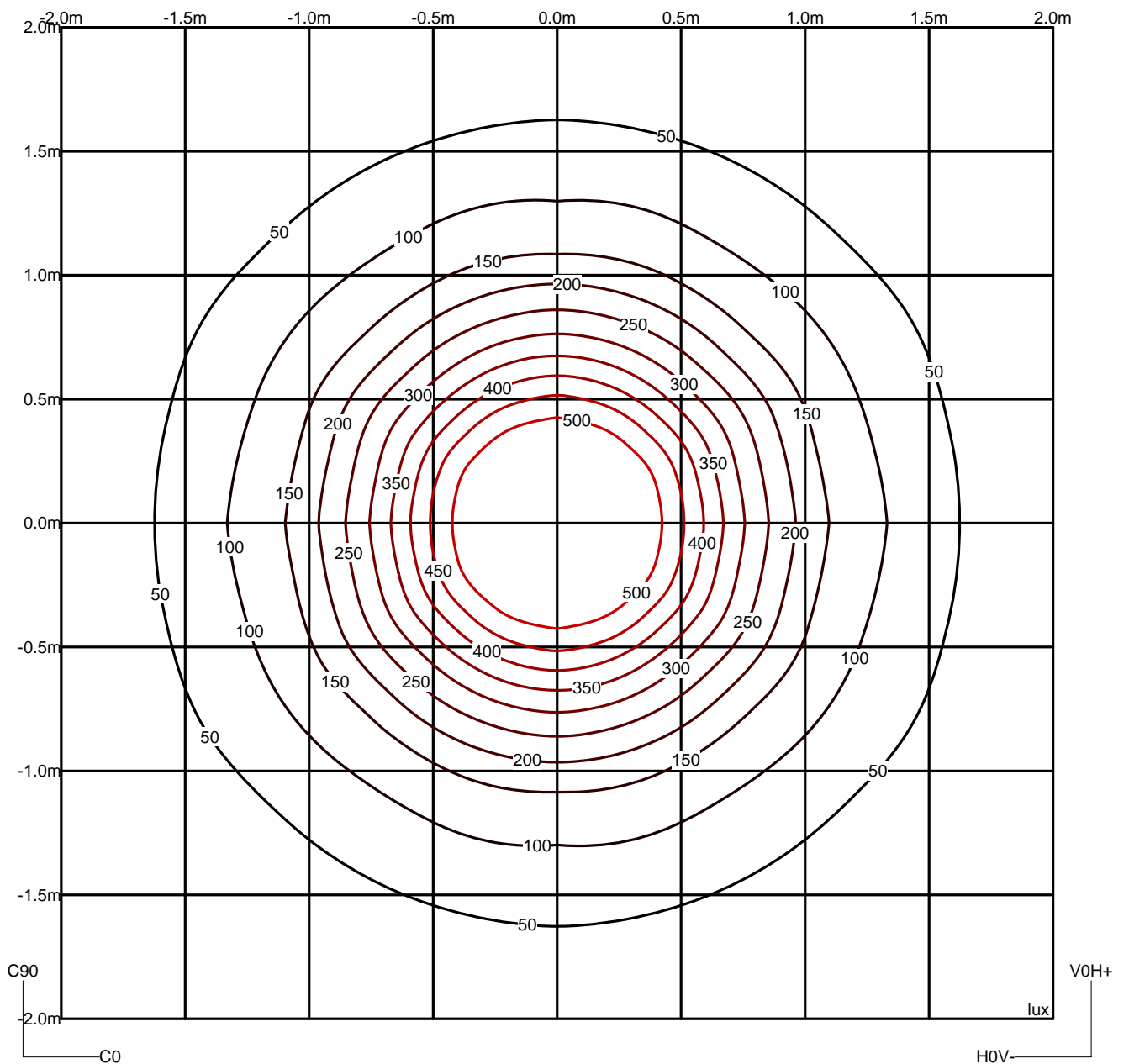
H[m]	D[m]	Max lux	Med lux	Alpha=18.7°+18.7°	G=0.0	
1.00	0.68	3742	2257			
2.00	1.35	935	564			
3.00	2.03	416	251			
4.00	2.70	234	141			
5.00	3.38	150	90			

H[m]	D[m]	Max lux	Med lux	Beta=18.9°+18.9°	G=0.0	
1.00	0.68	3742	2257			
2.00	1.37	935	564			
3.00	2.05	416	251			
4.00	2.73	234	141			
5.00	3.42	150	90			

Luminaire		Measuram.		Lamp	
Code	35-3591	Code	35-3566	Code	L3563 25.9W 80 3000K
Name	BOND TUBE LED 25.9W 830 36°	Name	BOND TUBE LED 25.9W 840 36°	Number	1
Line	- LEDS C4 LEDS	Date	25-04-2014	Position	Universal
Efficiency	100.00%	Coordinate system	CG	Total Flux	1815.66 lm
Maximum value	3741.99 cd	Position	C=0.00 G=0.00	Double Symmetrical	

Isolux (Floor)

Luminaire position X=0.00m Y=0.00m Z=2.50m



Luminaire		Measur.		Lamp	
Code	35-3591	Code	35-3566	Code	L3563 25.9W 80 3000K
Name	BOND TUBE LED 25.9W 830 36°	Name	BOND TUBE LED 25.9W 840 36°	Number	1
Line	- LEDS C4 LEDS	Date	25-04-2014	Position	Universal
Efficiency	100.00%	Coordinate system	CG	Total Flux	1815.66 lm
Maximum value	3741.99 cd	Position	C=0.00 G=0.00	Double Symmetrical	

Utilizations CIE

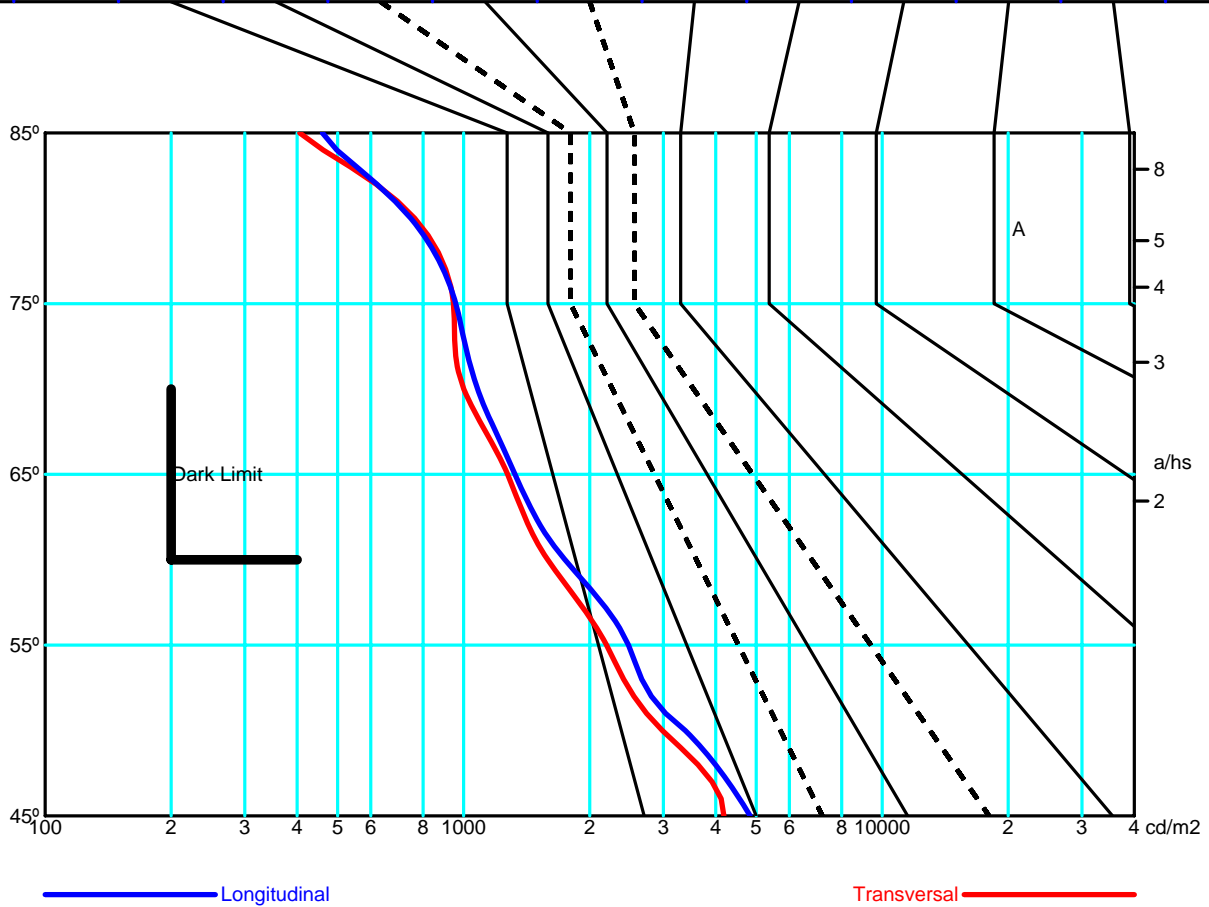
Mounting	Direct	Normalization										Suspension Ratio			Standard CIE Settings								
		Normalised											1/3										
Ceiling																							
K	8873	8773	8871	8771	7773	7771	7753	7553	7751	7551	7731	7331	7711	7111	5551	5531	5331	5511	5111	3331	3311	1111	0000
0.60	161	145	90	82	138	78	94	80	50	43	31	24	18	12	40	25	22	14	12	21	12	11	0
0.80	194	178	99	91	170	87	123	108	60	53	40	32	25	19	49	33	30	21	18	29	18	16	0
1.00	218	202	100	94	192	90	147	131	65	58	47	38	32	25	55	40	36	28	24	35	24	22	0
1.25	241	227	102	96	216	93	173	157	71	65	54	46	40	32	61	47	43	35	31	41	31	28	0
1.50	258	246	102	98	234	94	193	178	75	69	59	51	46	38	65	52	49	41	37	47	37	34	0
2.00	282	271	100	96	258	93	224	210	79	74	67	60	56	49	70	60	57	51	47	55	47	43	0
2.50	298	288	97	95	275	92	246	233	81	77	72	66	64	57	74	66	63	59	55	61	55	51	0
3.00	309	300	96	93	287	91	263	251	83	80	76	70	70	63	76	70	68	65	61	65	61	57	0
4.00	326	319	96	94	305	92	286	276	87	84	82	77	78	72	81	77	75	73	69	72	69	65	0
5.00	337	331	96	95	317	93	302	293	89	87	86	82	83	78	84	81	79	79	75	77	75	71	0
10.00	361	358	97	96	343	95	337	332	95	94	95	93	95	92	91	91	90	91	89	88	88	85	0
20.00	374	373	98	98	358	97	357	354	98	98	100	99	102	100	95	97	96	99	97	94	96	93	0
Wall																							
K	8873	8773	8871	8771	7773	7771	7753	7553	7751	7551	7731	7331	7711	7111	5551	5531	5331	5511	5111	3331	3311	1111	0000
0.60	279	270	190	185	265	183	209	202	147	144	124	121	106	104	143	121	120	105	104	119	104	104	81
0.80	311	302	202	198	295	194	240	232	162	159	139	135	122	119	156	136	134	120	118	133	118	117	91
1.00	326	316	199	195	307	191	256	246	163	160	143	138	127	123	156	138	137	124	122	135	122	120	90
1.25	342	332	198	195	320	191	273	263	167	163	148	143	133	129	159	143	141	129	127	138	127	124	91
1.50	353	343	196	193	330	189	286	276	167	164	151	146	137	132	159	145	143	132	130	140	129	126	91
2.00	353	344	176	174	328	169	292	282	154	150	141	136	130	125	144	134	132	124	121	128	120	116	77
2.50	345	337	155	153	319	148	289	279	136	134	127	122	118	113	127	119	117	112	109	112	106	101	60
3.00	333	326	132	131	306	126	281	271	117	115	110	106	103	98	108	102	100	96	93	94	90	84	41
4.00	323	318	110	109	295	104	276	267	98	96	93	90	89	84	88	84	83	81	78	76	73	67	21
5.00	312	307	91	90	283	84	267	260	81	79	77	74	74	70	70	68	66	65	63	59	57	50	2
10.00	240	237	0	0	209	0	203	198	0	0	0	0	0	0	0	0	0	0	0	0	0	0	0
20.00	105	104	0	0	74	0	73	70	0	0	0	0	0	0	0	0	0	0	0	0	0	0	0
Working Pl.																							
K	8873	8773	8871	8771	7773	7771	7753	7553	7751	7551	7731	7331	7711	7111	5551	5531	5331	5511	5111	3331	3311	1111	0000
0.60	908	898	847	842	893	839	824	818	793	790	763	760	741	739	788	760	759	739	738	758	738	737	729
0.80	970	959	893	888	950	884	882	873	841	837	810	806	787	784	833	806	804	785	783	802	783	782	773
1.00	1000	1000	934	929	1000	924	937	926	886	882	858	853	836	832	877	852	850	832	830	847	830	827	819
1.25	1000	1000	965	960	1000	954	983	971	921	916	895	889	874	869	909	887	885	869	866	881	865	862	854
1.50	1000	1000	986	982	1000	975	1000	1000	946	941	922	916	903	897	933	913	910	896	893	906	891	887	879
2.00	1000	1000	1000	1000	1000	1000	1000	1000	986	982	968	962	953	946	972	957	955	944	940	948	937	930	923
2.50	1000	1000	1000	1000	1000	1000	1000	1000	1000	1000	999	992	987	979	997	986	983	976	972	975	967	959	952
3.00	1000	1000	1000	1000	1000	1000	1000	1000	1000	1000	1000	1000	1000	1000	1000	1000	1000	1000	999	995	995	988	979
4.00	1000	1000	1000	1000	1000	1000	1000	1000	1000	1000	1000	1000	1000	1000	1000	1000	1000	1000	1000	1000	1000	996	990
5.00	1000	1000	1000	1000	1000	1000	1000	1000	1000	1000	1000	1000	1000	1000	1000	1000	1000	1000	1000	1000	1000	1000	999
10.00	1000	1000	1000	1000	1000	1000	1000	1000	1000	1000	1000	1000	1000	1000	1000	1000	1000	1000	1000	1000	1000	1000	1000
20.00	1000	1000	1000	1000	1000	1000	1000	1000	1000	1000	1000	1000	1000	1000	1000	1000	1000	1000	1000	1000	1000	1000	1000

LM53 SHR C0-C180: 0.602 SHR C90-C270: 0.611 SHR Square: 0.618

Luminaire		Measur.		Lamp	
Code	35-3591	Code	35-3566	Code	L3563 25.9W 80 3000K
Name	BOND TUBE LED 25.9W 830 36°	Name	BOND TUBE LED 25.9W 840 36°	Number	1
Line	- LEDS C4 LEDS	Date	25-04-2014	Position	Universal
Efficiency	100.00%	Coordinate system	CG	Total Flux	1815.66 lm
Maximum value	3741.99 cd	Position	C=0.00 G=0.00	Double Symmetrical	

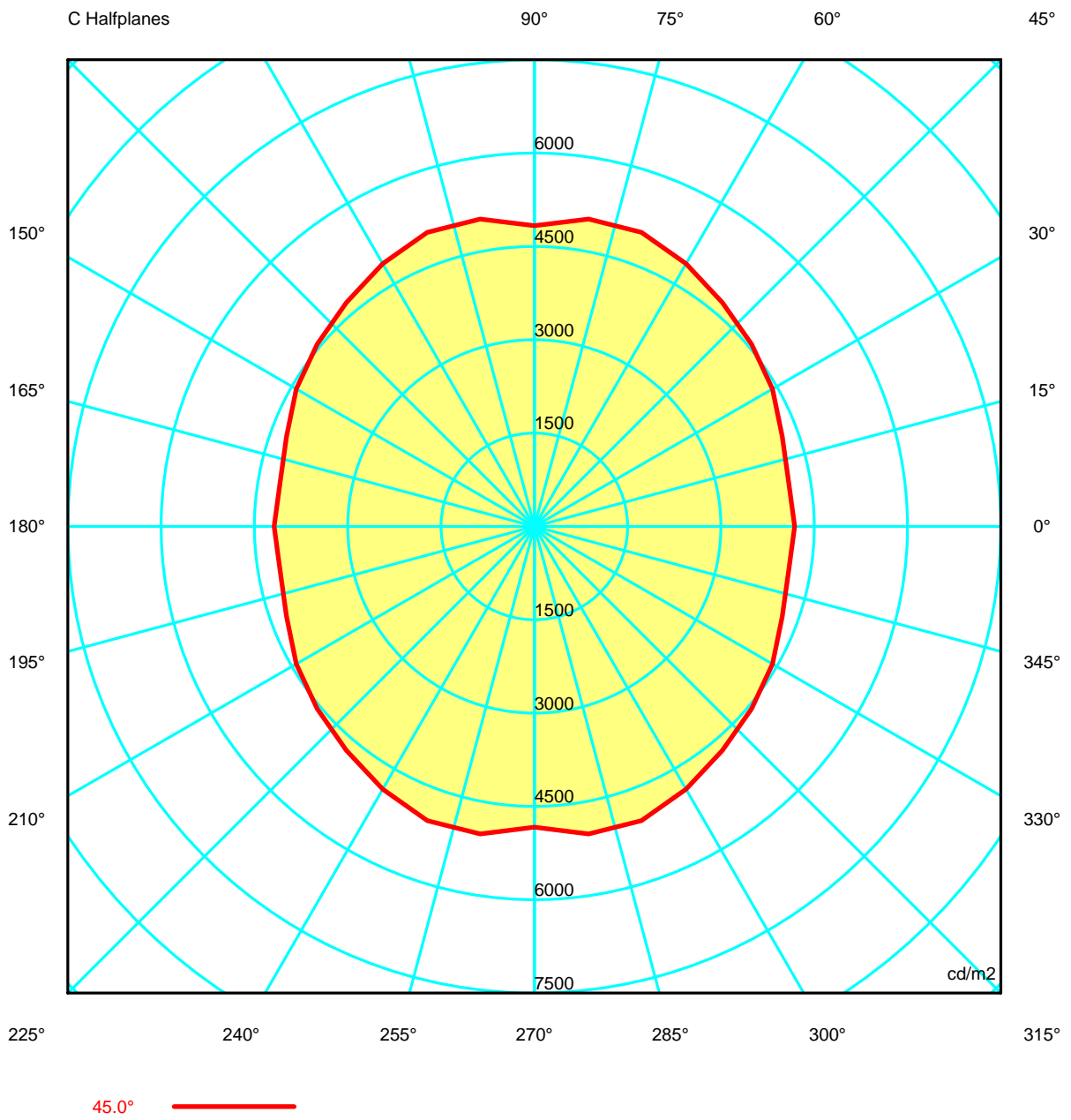
Average Luminance [cd/m²]										
0.0°	45°	50°	55°	60°	65°	70°	75°	80°	85°	---
90.0°	4184	2983	2195	1588	1273	1000	945	764	406	---
	4834	3385	2476	1746	1327	1080	958	747	460	---

Flush mounted or longitudinal view												
		Illumination(lx)										
A	A	2000	1000	750	500		<300				1.15	
B	1		2000	1500	1000	750	500	<300			1.5	
C					2000		1000	500	<300		1.85	
D	2						2000	1000	500	<300	2.2	
E	3							2000	1000	500	<300	2.55



Luminaire		Measur.		Lamp	
Code	35-3591	Code	35-3566	Code	L3563 25.9W 80 3000K
Name	BOND TUBE LED 25.9W 830 36°	Name	BOND TUBE LED 25.9W 840 36°	Number	1
Line	- LEDS C4 LEDS	Date	25-04-2014	Position	Universal
Efficiency	100.00%	Coordinate system	CG	Total Flux	1815.66 lm
Maximum value	3741.99 cd	Position	C=0.00 G=0.00	Double Symmetrical	

Luminance



Luminaire		Measur.		Lamp									
Code	35-3591	Code	35-3566	Code	L3563 25.9W 80 3000K								
Name	BOND TUBE LED 25.9W 830 36°	Name	BOND TUBE LED 25.9W 840 36°	Number	1								
Line	- LEDS C4 LEDS	Date	25-04-2014	Position	Universal								
Efficiency	100.00%	Coordinate system	CG	Total Flux	1815.66 lm								
Maximum value	3741.99 cd	Position	C=0.00 G=0.00	Double Symmetrical									
Luminance cd/m2 Table 1/3													
	C 0.00	C 10.00	C 20.00	C 30.00	C 40.00	C 50.00	C 60.00	C 70.00	C 80.00	C 90.00	C 100.00	C 110.00	C 120.00
G 0.0	432149.13	432149.13	432149.13	432149.13	432149.13	432149.13	432149.13	432149.13	432149.13	432149.13	432149.13	432149.13	432149.13
G 5.0	417246.58	416170.50	416901.81	418085.90	416790.41	416414.71	416974.54	417081.77	417203.37	417339.34	417203.37	417081.77	416974.54
G 10.0	376882.81	377270.91	378604.28	380155.85	378087.30	376972.95	377576.75	376406.38	376220.47	378164.62	376220.47	376406.38	377576.75
G 15.0	290554.56	288886.09	291804.84	295735.23	292496.21	290876.63	290876.47	291578.14	292149.97	292920.83	292149.97	291578.14	290876.47
G 20.0	206668.71	204095.40	207579.31	212717.83	209559.38	207666.56	208102.90	207962.58	208119.78	209357.69	208119.78	207962.58	208102.90
G 25.0	139722.22	136051.57	137541.42	140774.71	137563.42	134301.43	134950.17	136983.23	136752.84	133714.60	136752.84	136983.23	134950.17
G 30.0	105260.36	103883.63	103725.18	104450.19	104381.78	102716.69	101088.95	102025.96	102934.76	102516.15	102934.76	102025.96	101088.95
G 35.0	48678.25	49978.44	53357.05	56860.90	51612.30	49467.49	50440.14	49917.22	49534.50	51003.67	49534.50	49917.22	50440.14
G 40.0	10058.58	8620.26	9834.58	11787.08	10175.25	9308.35	9497.72	9018.27	8817.74	9571.72	8817.74	9018.27	9497.72
G 45.0	4183.57	4150.67	4239.11	4419.38	4558.02	4699.82	4875.89	5031.79	5018.31	4833.84	5018.31	5031.79	4875.89
G 50.0	2983.26	3029.66	3089.95	3165.05	3211.37	3255.50	3297.46	3683.21	3769.95	3384.90	3769.95	3683.21	3297.46
G 55.0	2194.78	2099.94	2167.26	2321.31	2308.24	2277.50	2311.16	2488.04	2567.55	2476.35	2567.55	2488.04	2311.16
G 60.0	1588.11	1598.02	1647.29	1691.54	1650.69	1628.81	1682.58	1764.34	1789.63	1746.13	1789.63	1764.34	1682.58
G 65.0	1273.08	1255.55	1289.12	1334.15	1304.25	1281.37	1305.25	1334.00	1341.27	1326.96	1341.27	1334.00	1305.25
G 70.0	1000.43	1004.04	1031.82	1074.25	1043.80	1034.56	1070.00	1075.82	1079.05	1079.70	1079.05	1075.82	1070.00
G 75.0	945.32	948.30	970.89	1005.08	975.68	942.85	956.20	1004.78	1011.09	957.72	1011.09	1004.78	956.20
G 80.0	763.87	483.67	548.37	793.12	712.70	672.66	673.00	698.30	719.44	747.48	719.44	698.30	673.00
G 85.0	405.89	397.06	416.23	437.75	412.29	404.20	421.48	411.49	418.37	459.78	418.37	411.49	421.48
G 90.0	0.00	0.00	0.00	0.00	0.00	0.00	0.00	0.00	0.00	0.00	0.00	0.00	0.00

Luminaire		Measur.		Lamp	
Code	35-3591	Code	35-3566	Code	L3563 25.9W 80 3000K
Name	BOND TUBE LED 25.9W 830 36°	Name	BOND TUBE LED 25.9W 840 36°	Number	1
Line	- LEDS C4 LEDS	Date	25-04-2014	Position	Universal

Efficiency	100.00%	Coordinate system	CG	Total Flux	1815.66 lm
Maximum value	3741.99 cd	Position	C=0.00 G=0.00	Double Symmetrical	

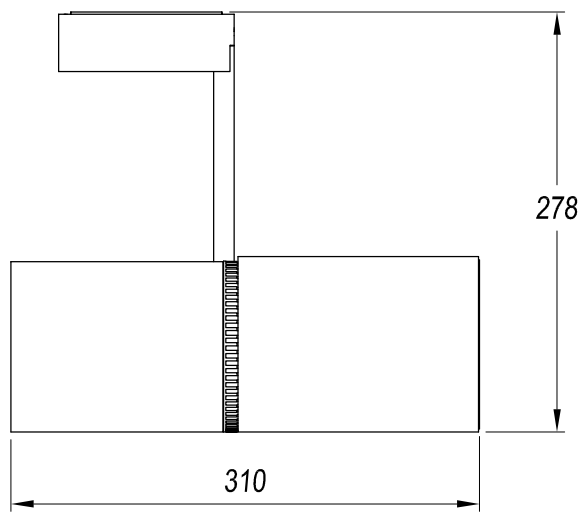
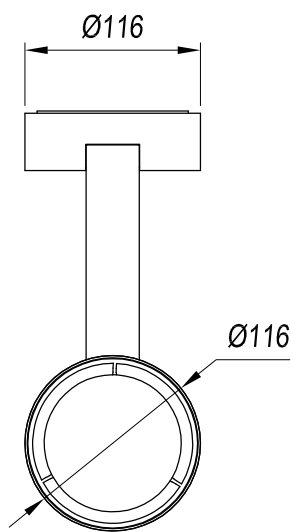
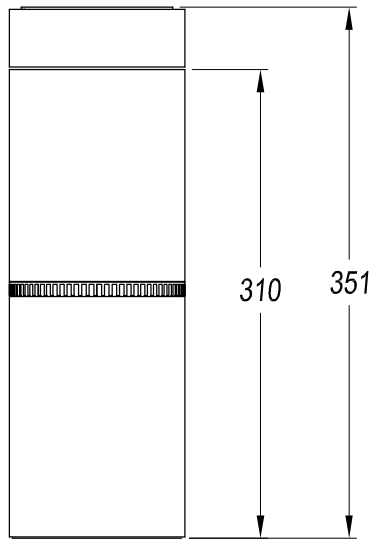
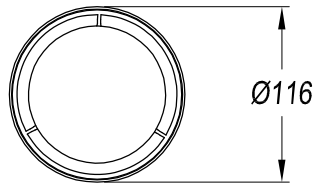
Luminance cd/m2 Table 2/3

	C 130.00	C 140.00	C 150.00	C 160.00	C 170.00	C 180.00	C 190.00	C 200.00	C 210.00	C 220.00	C 230.00	C 240.00	C 250.00
G 0.0	432149.13	432149.13	432149.13	432149.13	432149.13	432149.13	432149.13	432149.13	432149.13	432149.13	432149.13	432149.13	432149.13
G 5.0	416414.71	416790.41	418085.90	416901.81	416170.50	417246.58	416170.50	416901.81	418085.90	416790.41	416414.71	416974.54	417081.77
G 10.0	376972.95	378087.30	380155.85	378604.28	377270.91	376882.81	377270.91	378604.28	380155.85	378087.30	376972.95	377576.75	376406.38
G 15.0	290876.63	292496.21	295735.23	291804.84	288886.09	290554.56	288886.09	291804.84	295735.23	292496.21	290876.63	290876.47	291578.14
G 20.0	207666.56	209559.38	212717.83	207579.31	204095.40	206668.71	204095.40	207579.31	212717.83	209559.38	207666.56	208102.90	207962.58
G 25.0	134301.43	137563.42	140774.71	137541.42	136051.57	139722.22	136051.57	137541.42	140774.71	137563.42	134301.43	134950.17	136983.23
G 30.0	102716.69	104381.78	104450.19	103725.18	103883.63	105260.36	103883.63	103725.18	104450.19	104381.78	102716.69	101088.95	102025.96
G 35.0	49467.49	51612.30	56860.90	53357.05	49978.44	48678.25	49978.44	53357.05	56860.90	51612.30	49467.49	50440.14	49917.22
G 40.0	9308.35	10175.25	11787.08	9834.58	8620.26	10058.58	8620.26	9834.58	11787.08	10175.25	9308.35	9497.72	9018.27
G 45.0	4699.82	4558.02	4419.38	4239.11	4150.67	4183.57	4150.67	4239.11	4419.38	4558.02	4699.82	4875.89	5031.79
G 50.0	3255.50	3211.37	3165.05	3089.95	3029.66	2983.26	3029.66	3089.95	3165.05	3211.37	3255.50	3297.46	3683.21
G 55.0	2277.50	2308.24	2321.31	2167.26	2099.94	2194.78	2099.94	2167.26	2321.31	2308.24	2277.50	2311.16	2488.04
G 60.0	1628.81	1650.69	1691.54	1647.29	1598.02	1588.11	1598.02	1647.29	1691.54	1650.69	1628.81	1682.58	1764.34
G 65.0	1281.37	1304.25	1334.15	1289.12	1255.55	1273.08	1255.55	1289.12	1334.15	1304.25	1281.37	1305.25	1334.00
G 70.0	1034.56	1043.80	1074.25	1031.82	1004.04	1000.43	1004.04	1031.82	1074.25	1043.80	1034.56	1070.00	1075.82
G 75.0	942.85	975.68	1005.08	970.89	948.30	945.32	948.30	970.89	1005.08	975.68	942.85	956.20	1004.78
G 80.0	672.66	712.70	793.12	548.37	483.67	483.67	483.67	548.37	712.70	793.12	672.66	673.00	698.30
G 85.0	404.20	412.29	437.75	416.23	397.06	405.89	397.06	416.23	437.75	412.29	404.20	421.48	411.49
G 90.0	0.00	0.00	0.00	0.00	0.00	0.00	0.00	0.00	0.00	0.00	0.00	0.00	0.00

Luminaire		Measur.		Lamp	
Code	35-3591	Code	35-3566	Code	L3563 25.9W 80 3000K
Name	BOND TUBE LED 25.9W 830 36°	Name	BOND TUBE LED 25.9W 840 36°	Number	1
Line	- LEDS C4 LEDS	Date	25-04-2014	Position	Universal

Efficiency	100.00%	Coordinate system	CG	Total Flux	1815.66 lm
Maximum value	3741.99 cd	Position	C=0.00 G=0.00	Double Symmetrical	

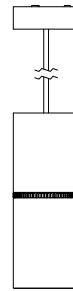
		Luminance cd/m2									
		Table 3/3									
		C 260.00	C 270.00	C 280.00	C 290.00	C 300.00	C 310.00	C 320.00	C 330.00	C 340.00	C 350.00
G 0.0	432149.13	432149.13	432149.13	432149.13	432149.13	432149.13	432149.13	432149.13	432149.13	432149.13	432149.13
G 5.0	417203.37	417339.34	417203.37	417081.77	416974.54	416414.71	416790.41	418085.90	416901.81	416170.50	
G 10.0	376220.47	378164.62	376220.47	376406.38	377576.75	376972.95	378087.30	380155.85	378604.28	377270.91	
G 15.0	292149.97	292920.83	292149.97	291578.14	290876.47	290876.63	292496.21	295735.23	291804.84	288886.09	
G 20.0	208119.78	209357.69	208119.78	207962.58	208102.90	207666.56	209559.38	212717.83	207579.31	204095.40	
G 25.0	136752.84	133714.60	136752.84	136983.23	134950.17	134301.43	137563.42	140774.71	137541.42	136051.57	
G 30.0	102934.76	102516.15	102934.76	102025.96	101088.95	102716.69	104381.78	104450.19	103725.18	103883.63	
G 35.0	49534.50	51003.67	49534.50	49917.22	50440.14	49467.49	51612.30	56860.90	53357.05	49978.44	
G 40.0	8817.74	9571.72	8817.74	9018.27	9497.72	9308.35	10175.25	11787.08	9834.58	8620.26	
G 45.0	5018.31	4833.84	5018.31	5031.79	4875.89	4699.82	4558.02	4419.38	4239.11	4150.67	
G 50.0	3769.95	3384.90	3769.95	3683.21	3297.46	3255.50	3211.37	3165.05	3089.95	3029.66	
G 55.0	2567.55	2476.35	2567.55	2488.04	2311.16	2277.50	2308.24	2321.31	2167.26	2099.94	
G 60.0	1789.63	1746.13	1789.63	1764.34	1682.58	1628.81	1650.69	1691.54	1647.29	1598.02	
G 65.0	1341.27	1326.96	1341.27	1334.00	1305.25	1281.37	1304.25	1334.15	1289.12	1255.55	
G 70.0	1079.05	1079.70	1079.05	1075.82	1070.00	1034.56	1043.80	1074.25	1031.82	1004.04	
G 75.0	1011.09	957.72	1011.09	1004.78	956.20	942.85	975.68	1005.08	970.89	948.30	
G 80.0	719.44	747.48	719.44	698.30	673.00	672.66	712.70	793.12	548.37	483.67	
G 85.0	418.37	459.78	418.37	411.49	421.48	404.20	412.29	437.75	416.23	397.06	
G 90.0	0.00	0.00	0.00	0.00	0.00	0.00	0.00	0.00	0.00	0.00	



- VERSIONS:

TRACK / PENDANT / SURFACE

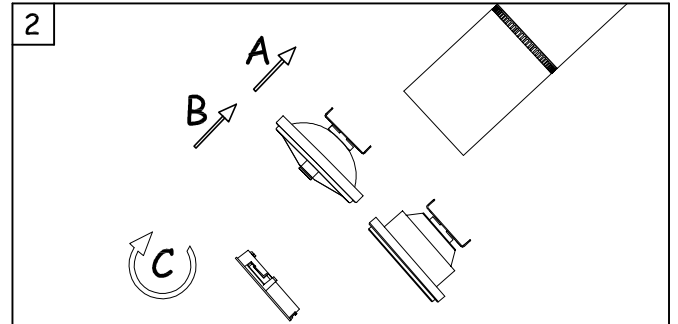
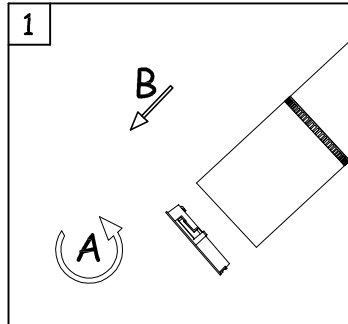
LED COB
ZHAGA



QR-111
G53



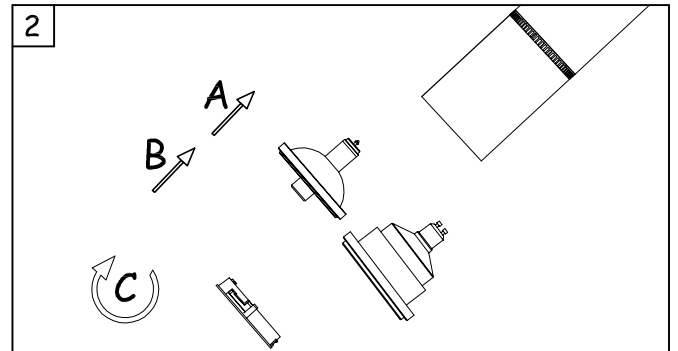
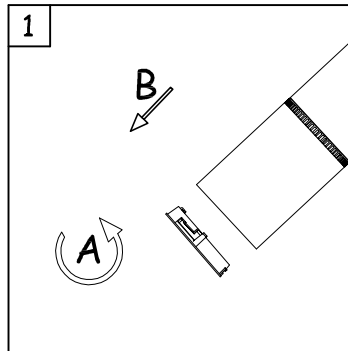
AR-111 LED
G53



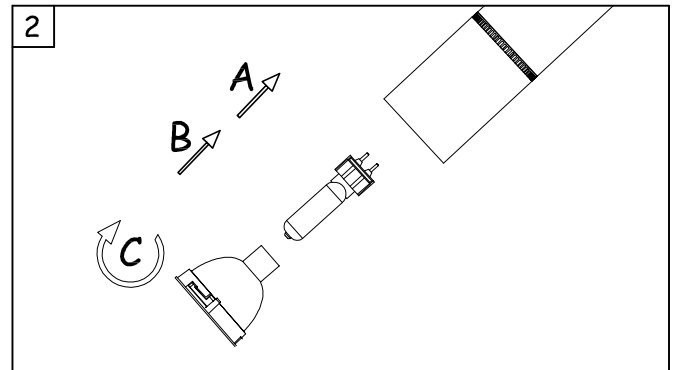
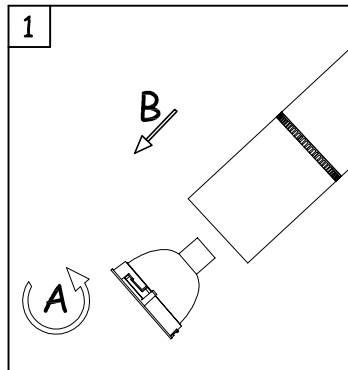
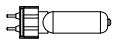
AR-111 LED
Gu10



CDM-R111
GX8.5

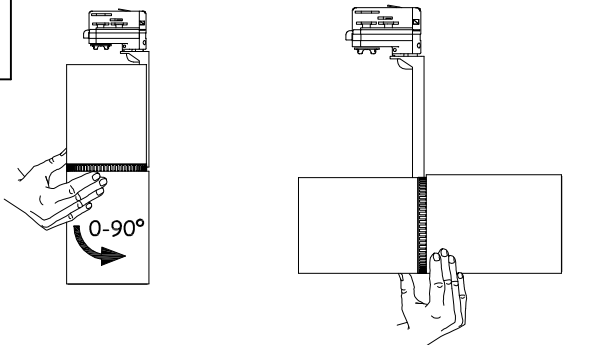


HIT-T
G12

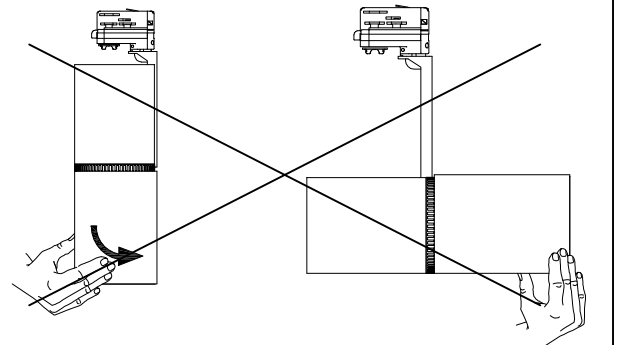


- ROTATION:

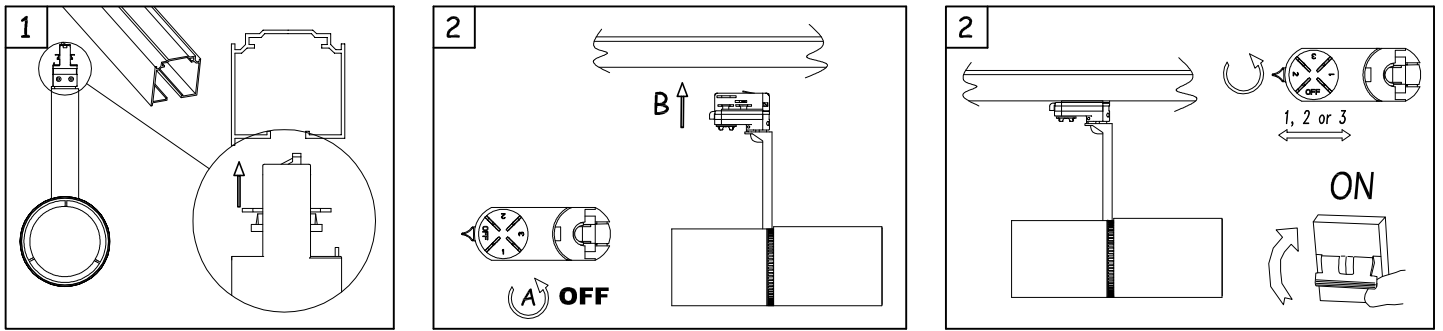
OK



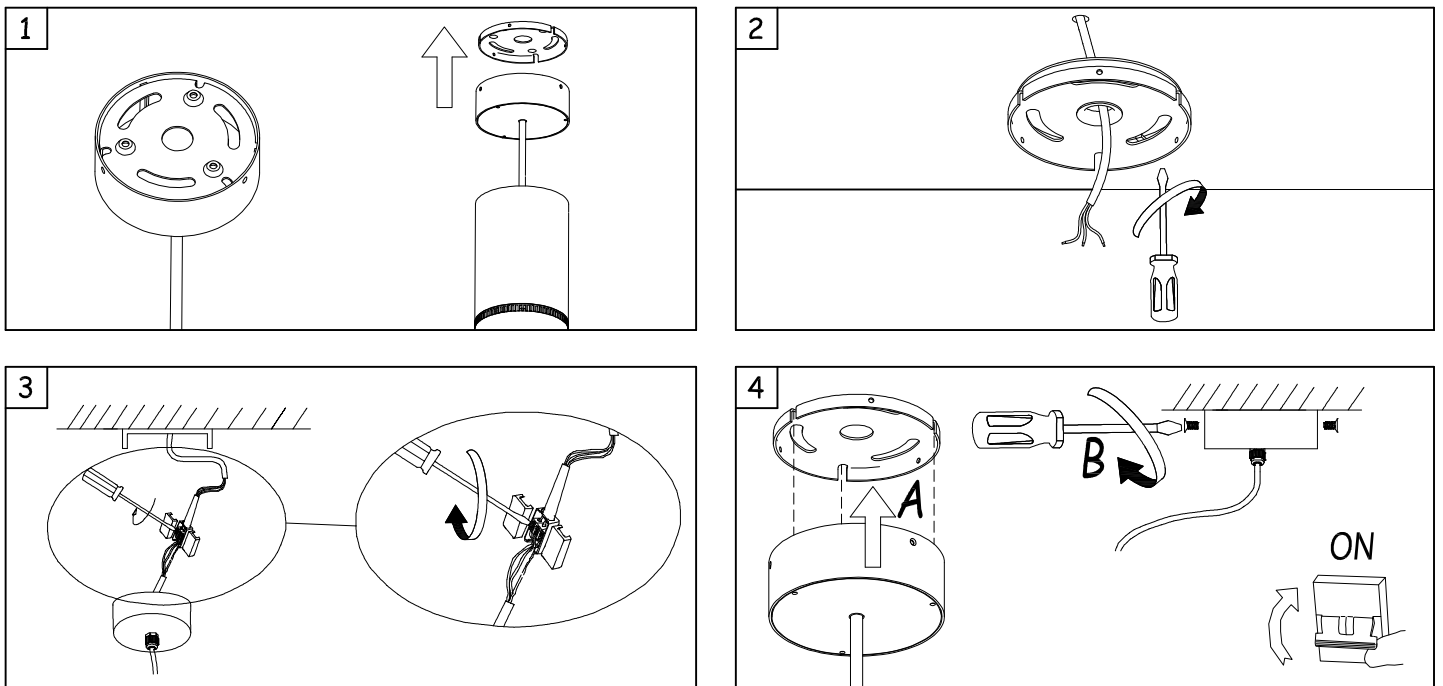
NO



TRACK VERSION



PENDANT VERSION



SURFACE VERSION

