

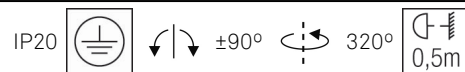
BOND TUBE

Josep Patsi

35-3581-14-00

Spotlight BOND TUBE White

TECHNICAL FEATURES



Structure material : Aluminium

Structure finish : White

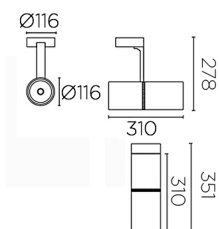
Recommended light bulb : GU10

Voltage / frequency : 220-240VAC/50-60Hz

Warranty : 2 Years

Max. temperature : 25°C

Energy efficiency : A+



LUMINOTECHNIC FEATURES

Lampholder: 1 x GU10

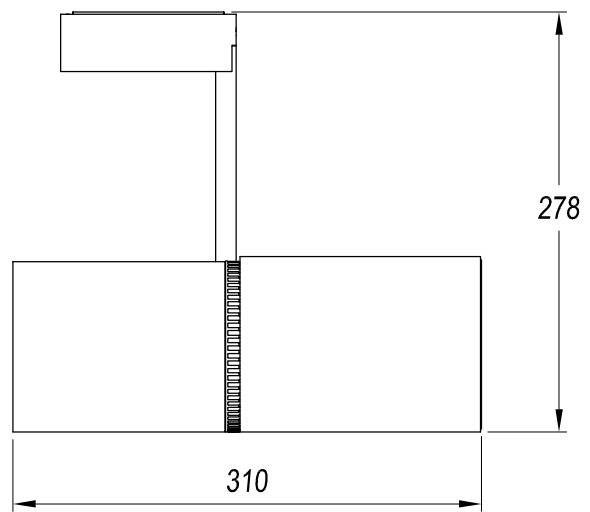
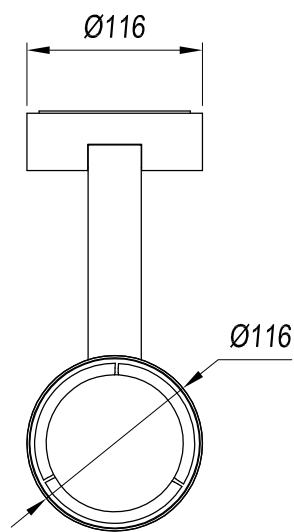
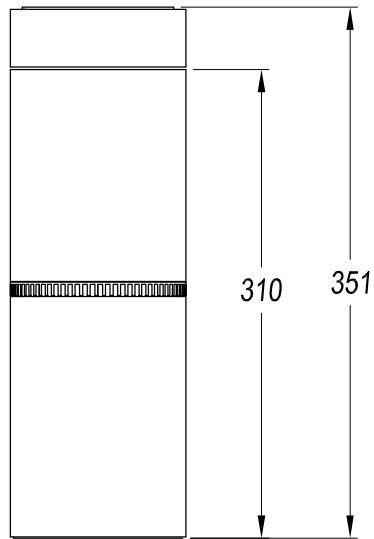
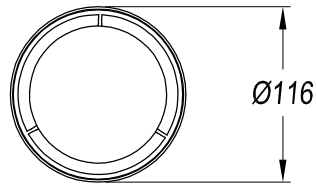
LOGISTICS

Net weight (kg): 1.39

Packaged weight (kg): 1.62

Packaging: 120mm x 120mm x 370mm

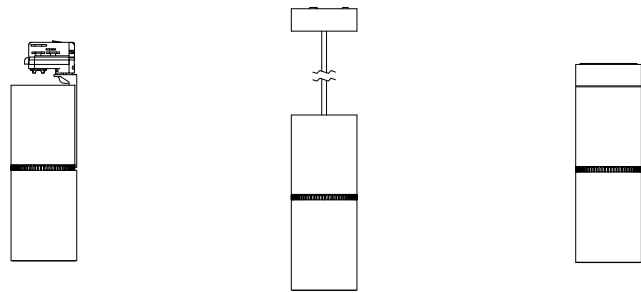




- VERSIONS:

TRACK / PENDANT / SURFACE

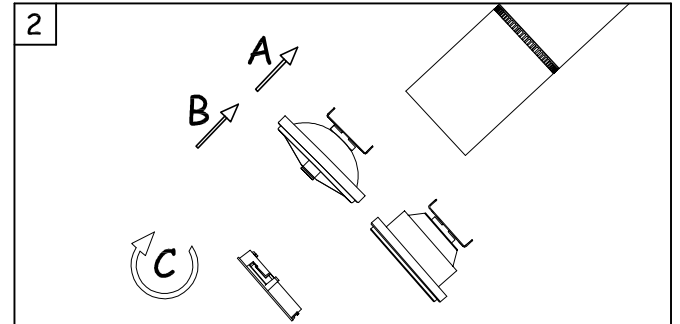
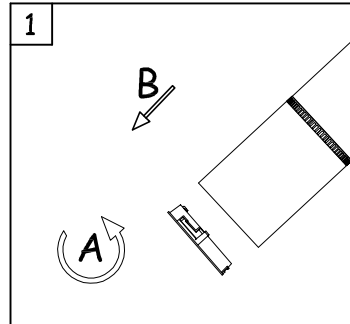
LED COB
ZHAGA



QR-111
G53



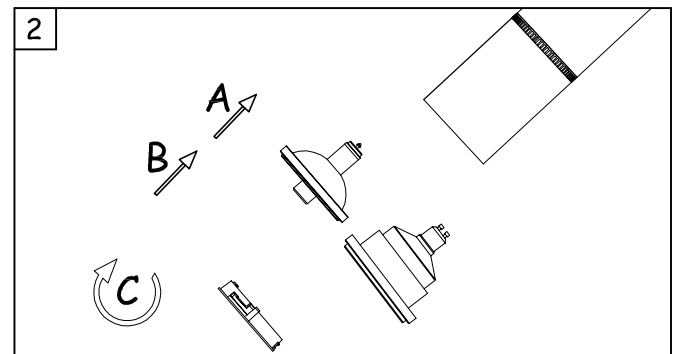
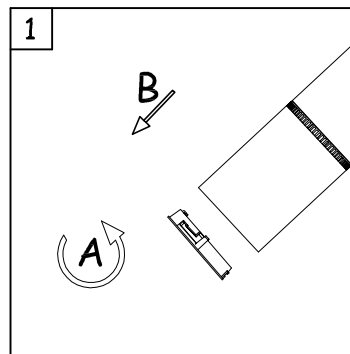
AR-111 LED
G53



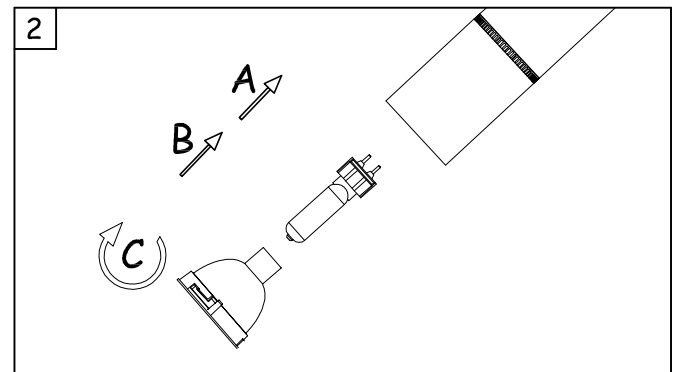
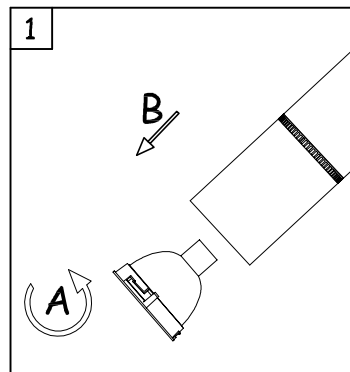
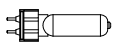
AR-111 LED
Gu10



CDM-R111
GX8.5

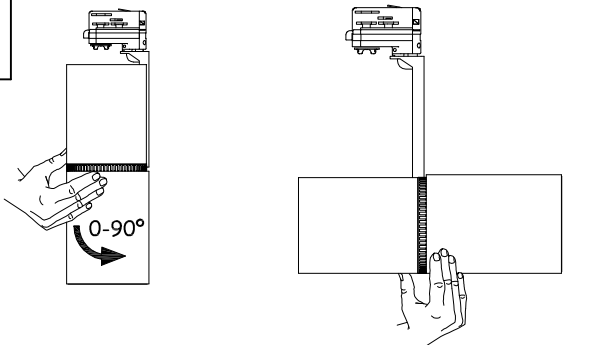


HIT-T
G12

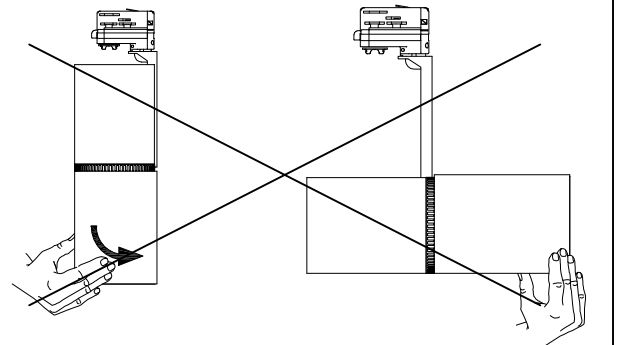


- ROTATION:

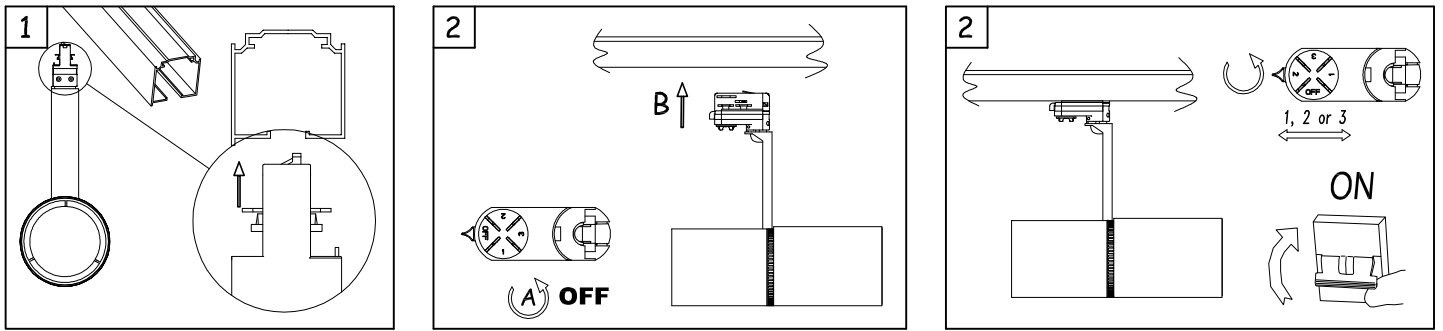
OK



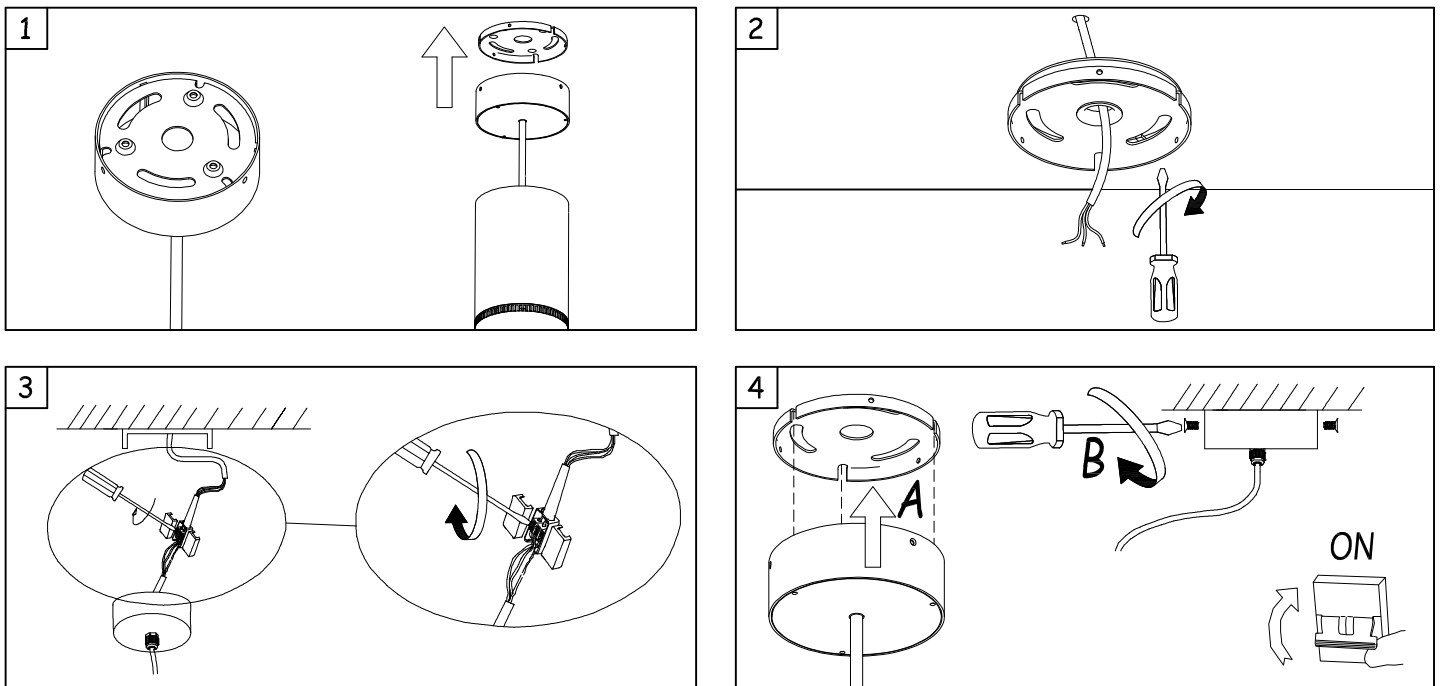
NO



TRACK VERSION



PENDANT VERSION



SURFACE VERSION

