

## BOND TUBE

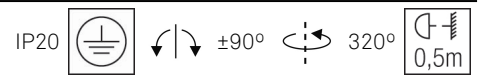
Josep Patsi

## 35-3553-14-00

Spotlight BOND TUBE White



### TECHNICAL FEATURES



Structure material : Aluminium

Structure finish : White

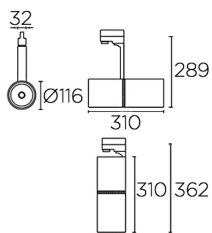
Recommended light bulb : GU10

Voltage / frequency : 220-240VAC/50-60Hz

Warranty : 2 Years

Max. temperature : 25°C

Energy efficiency : A+



### LUMINOTECHNIC FEATURES

Lampholder: 1 x GU10

### LOGISTICS

Net weight (kg): 1.05

Packaged weight (kg): 1.22

Packaging: 140mm x 140mm x 420mm





### ACT-9105-14-00

White trimless surface installation kit

Structure material: ABS  
Dimensions: NA x NA x NA  
Net weight (kg): 0.09



### ACT-9105-60-00

Black trimless surface installation kit

Structure material: ABS  
Dimensions: NA x NA x NA  
Net weight (kg): 0.09



### ACT-9106-60-00

Recessed box

Structure material: ABS  
Dimensions: NA x NA x NA  
Net weight (kg): 0.1



### 71-5953-14-00

White trimless recessed installation kit

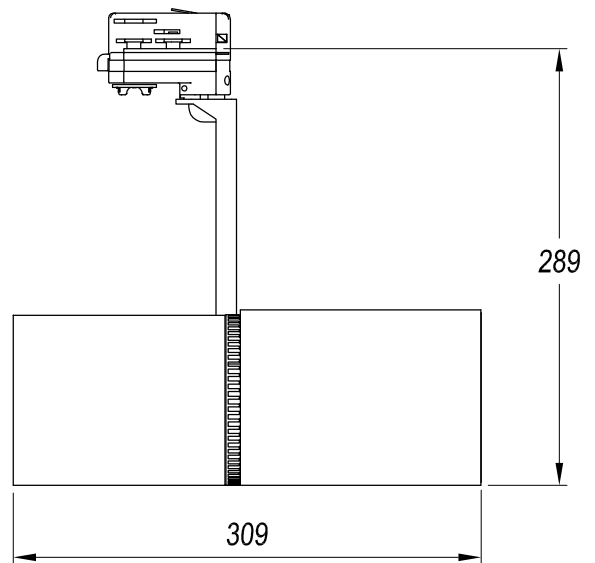
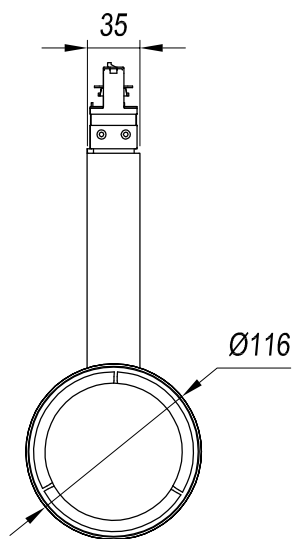
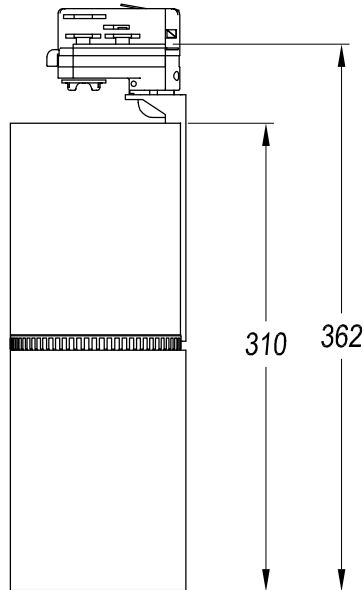
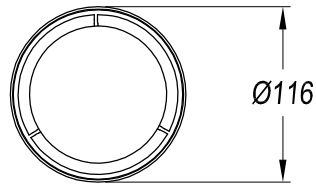
Structure material:  
Dimensions: NA x NA x NA  
Net weight (kg): 0.19



### 71-5953-60-00

Black trimless recessed installation kit

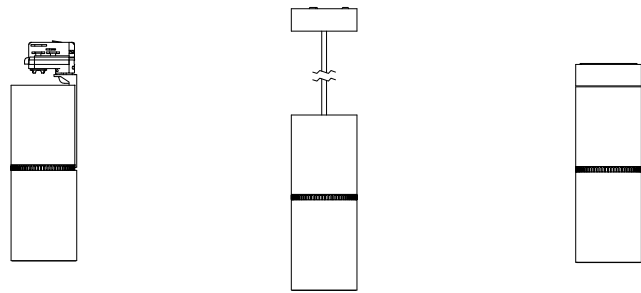
Structure material:  
Dimensions: NA x NA x NA  
Net weight (kg): 0.19



**- VERSIONS:**

TRACK / PENDANT / SURFACE

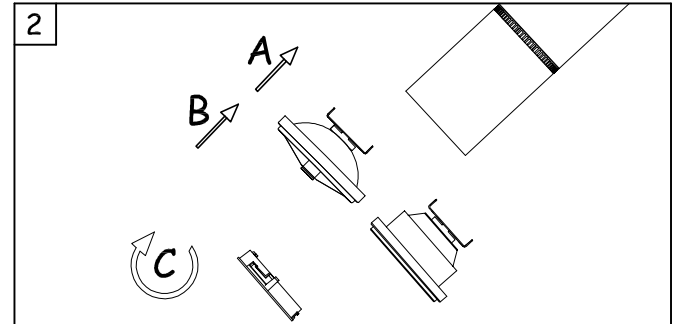
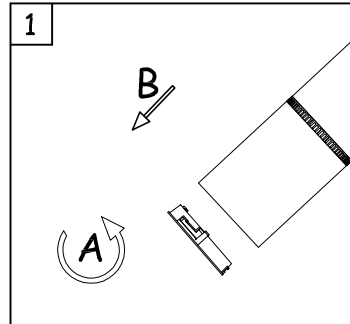
LED COB  
ZHAGA



QR-111  
G53



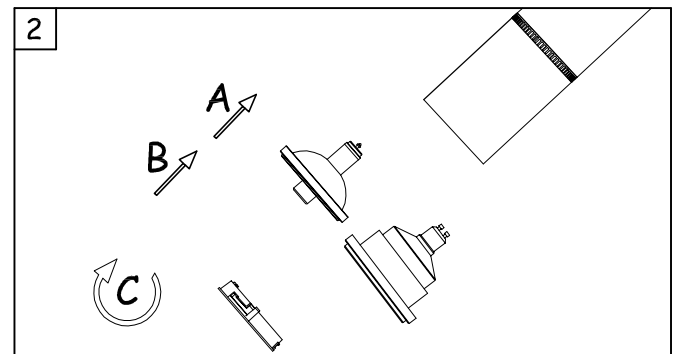
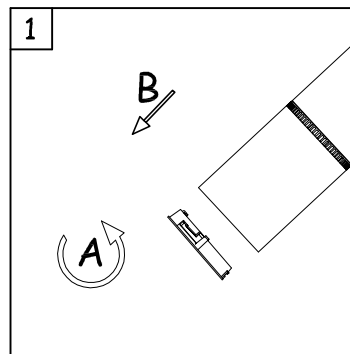
AR-111 LED  
G53



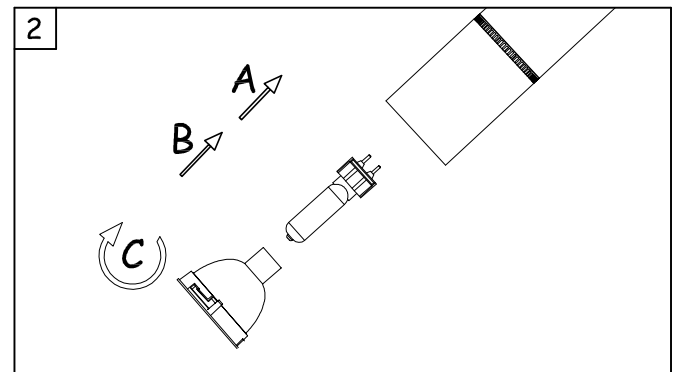
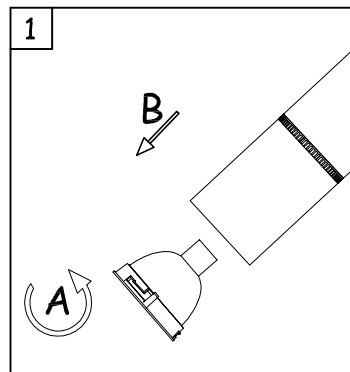
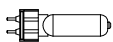
AR-111 LED  
Gu10



CDM-R111  
GX8.5

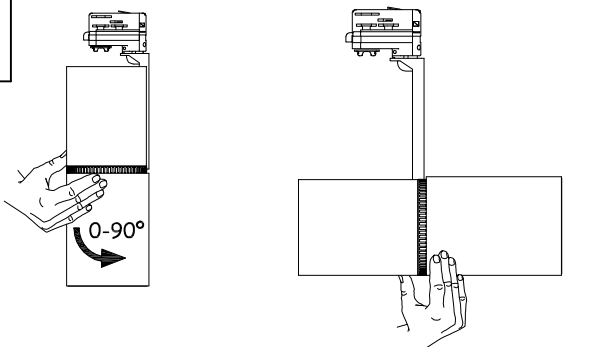


HIT-T  
G12

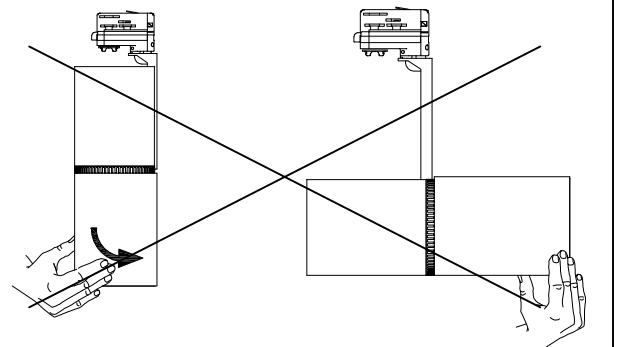


**- ROTATION:**

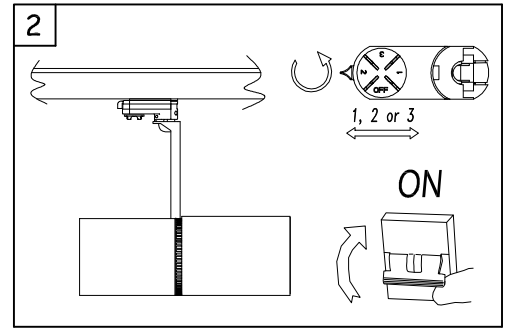
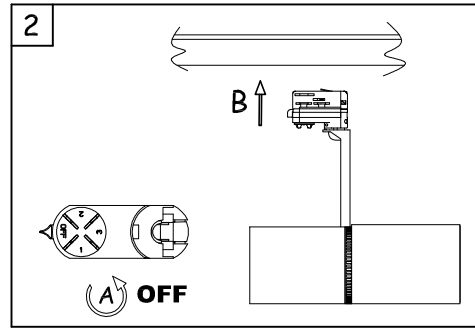
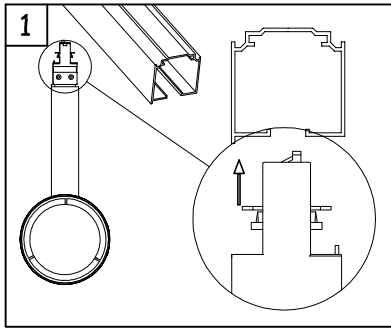
OK



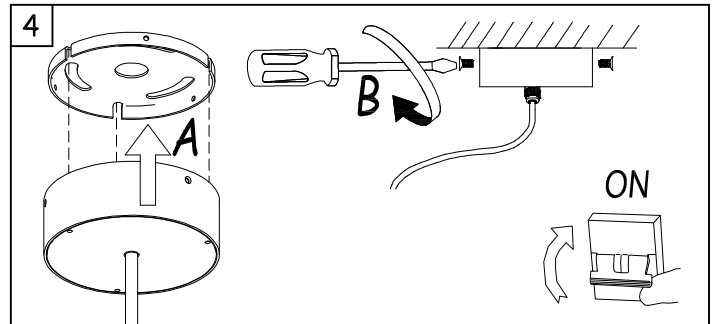
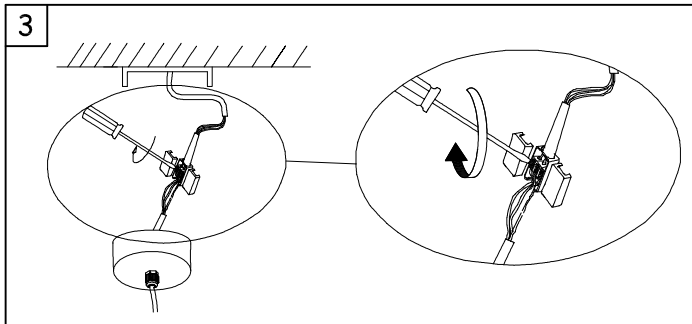
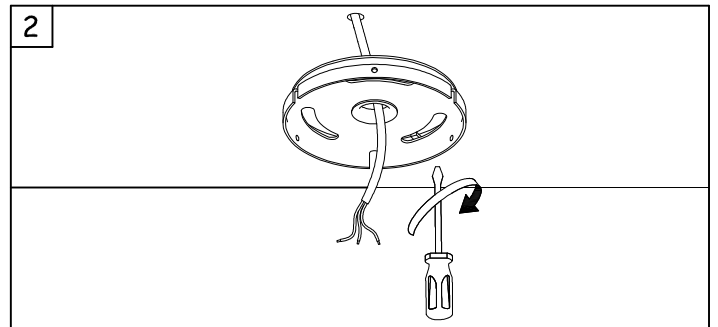
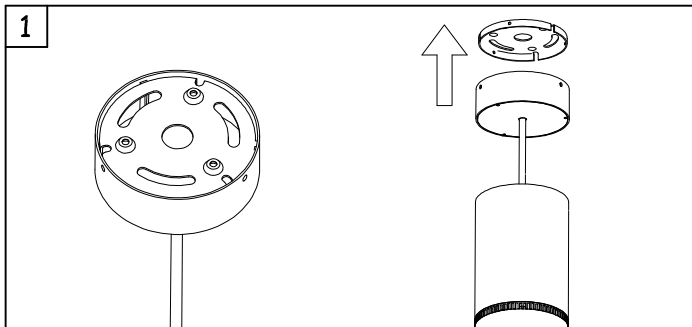
NO



**TRACK VERSION**



**PENDANT VERSION**



**SURFACE VERSION**

