

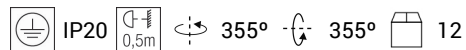
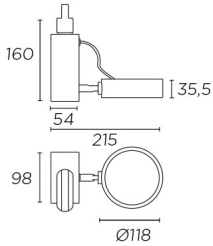


KEY Spotlight

Description

Track projector with extruded and injected aluminium housing. Available in white and black finishes. Versions available for different light sources with a diameter of 111 mm. It includes a ball joint which allows very wide vertical and horizontal rotation and additional transversal rotation of the lamp towards the housing. Possibility of surface or recess installation with additional kits

	Finish	Material
Structure	White	Aluminium



TECHNICAL CHARACTERISTICS

Light source

Lampholder: 1 x GU10
 Light source power (W): MAX 15W
 Luminaire total power (W): 15W
 Quantity: 1
 Recommended lamp: GU10

GEAR

Voltage / Frequency:
 220-240VAC/50-60Hz

Luminaire

Warranty: 5 Years

Logistics

Energy Efficiency: A+
 EAN Code: 8435111099223
 Net Weight (Kg): 0.63
 Weight in Kg (packaged): 0.77
 Packing: 215 x 150 x 130
 Masterbox: 12

The photograph may not match the reference exactly. Please read the product description to identify the finish.

OPTIONAL ACCESSORIES



ACT-9105-14-00

White trimless surface installation kit

Structure material: ABS
Dimensions: NA x NA x NA
Net Weight (Kg): 0.09



ACT-9105-60-00

Black trimless surface installation kit

Structure material: ABS
Dimensions: NA x NA x NA
Net Weight (Kg): 0.09



ACT-9106-14-00

Recessed box

Structure material: ABS
Dimensions: NA x NA x NA
Net Weight (Kg): 0.1



ACT-9106-60-00

Recessed box

Structure material: ABS
Dimensions: NA x NA x NA
Net Weight (Kg): 0.1



71-5953-14-00

White trimless recessed installation kit

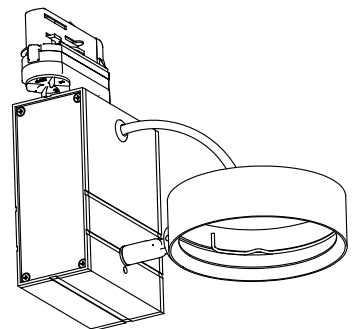
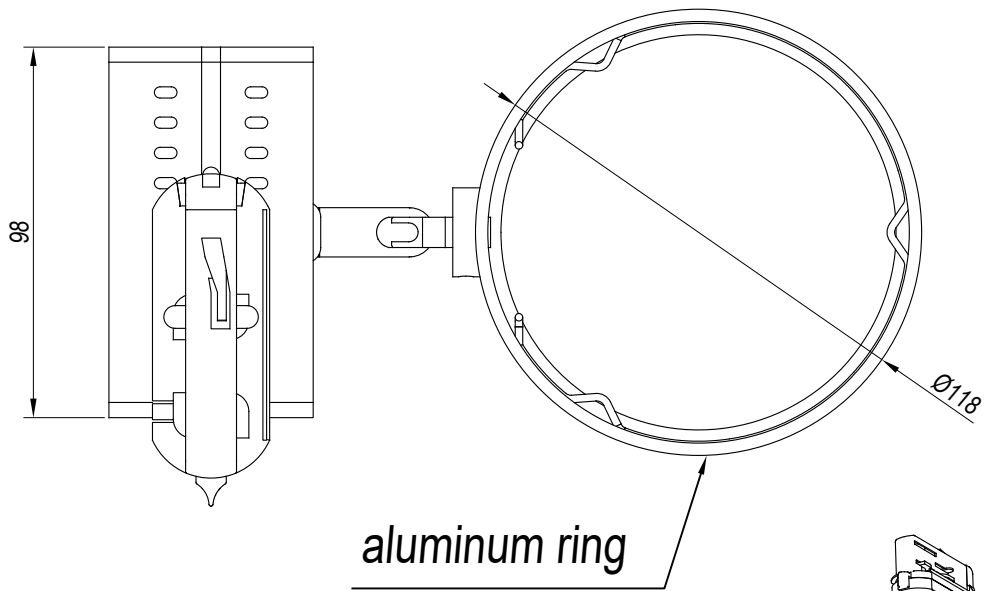
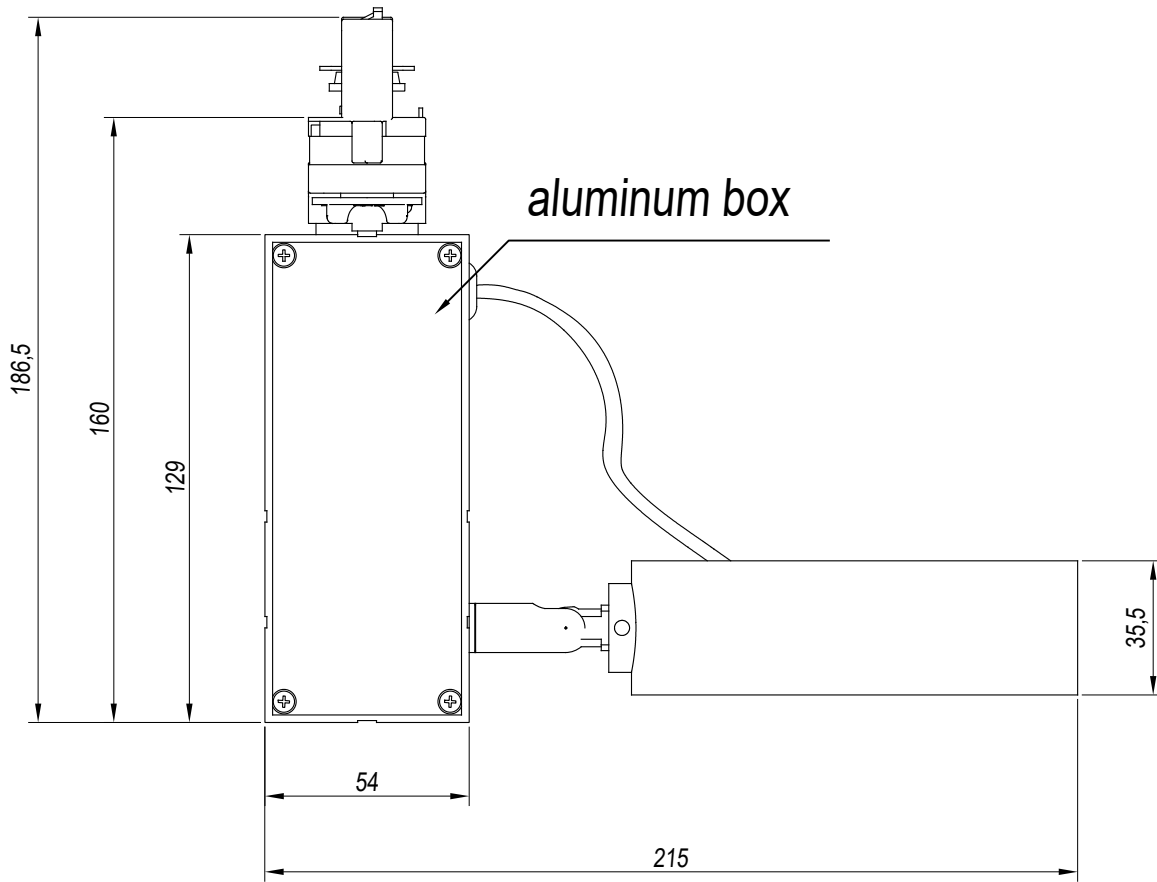
Structure material:
Dimensions: NA x NA x NA
Net Weight (Kg): 0.19



71-5953-60-00

Black trimless recessed installation kit

Structure material:
Dimensions: NA x NA x NA
Net Weight (Kg): 0.19



REF.	LAMP	SOCKET
35-1559-14/60-00	QR-111 MAX 100W	G53
35-1565-14/60-00	AR-111 LED MAX 15W	GU10

