

PREMIUM

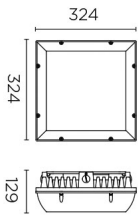
15-9839-05-CL

Ceiling fixture IP65 PREMIUM LED 38W 3000K Black 3394lm

TECHNICAL FEATURES



IP65 IK10



Power (W) : 38W

Total power consumption of light (W) : 43.2W

Real lumens : 3394

Real lm/W : 79

Correlated Colour Temperature (CCT) : LED warm-white 3000K

Structure material : Polycarbonate + ABS

Structure finish : Black

Diffuser material : Polycarbonate

Diffuser finish : Matt

Brand : MEANWELL

Voltage / frequency : 100-240VAC/50-60Hz

Power Factor : 0.90

Useful life : 50.000h L70B30

Max. temperature : 25°C

Warranty : 2 Years

Seaside : Yes

Energy efficiency : LED A++

LUMINOTECHNIC FEATURES

Light source: LED

CRI: 80

MacAdam steps: 3

Photobiological risk: RG0

VENTILATION FEATURES

Power used: 43.2W

Service value measurement standard: EN 60879:2019

LOGISTICS

Net weight (kg): 2.87

Packaged weight (kg): 3.26

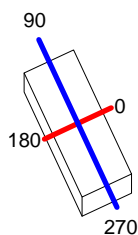
Packaging: 330mm x 135mm x 330mm



Luminaire		Measur.		Lamp		
Code	15-9839	Code	15-9839	Code	LED	
Name	15-9839	Name	15-9839	Number	1	
Line	Eulumdat	Date	09-02-2015	Position		
Efficiency	100.00%	Coordinate system	CG	Total Flux	3393.90 lm	
Maximum value	1346.28 cd	Position	C=0.00 G=0.00	Asymmetrical		
Rectangular Luminaire	Length	324 mm	Width	129 mm	Height	324 mm
Rectangular Luminous Area	Length	324 mm	Width	129 mm	Height	324 mm
Horizontal Luminous Area	0.041796 m2	Emitting area on Plane 180°		0.104976 m2		
Emitting area on Plane 0°	0.104976 m2	Emitting area on Plane 270°		0.041796 m2		
Emitting area on Plane 90°	0.041796 m2	Glare area at 76°		0.111969 m2		
Symmetry Type	Asymmetrical	Maximum Gamma Angle		90		
Measurement Distance	0.00	Measurement Flux		3393.90 lm		
Operator		Source voltage				
Temperature	25.00 °C	Source current				
Humidity	60.00 %	Photocell				
Notes						

Line		Code		Luminaire Lamps		Flux [lm]	Pow. [W]	Q.ty
Eulumdat		LED		Name				
				LED - 42.30 W		3393.90	42.30	1
C.I.E.	51 80 95 100 100			D DIN 5040	A40			
F UTE	1.00 D			B NBN	BZ 4			

324mm x 129mm



C Halfplanes

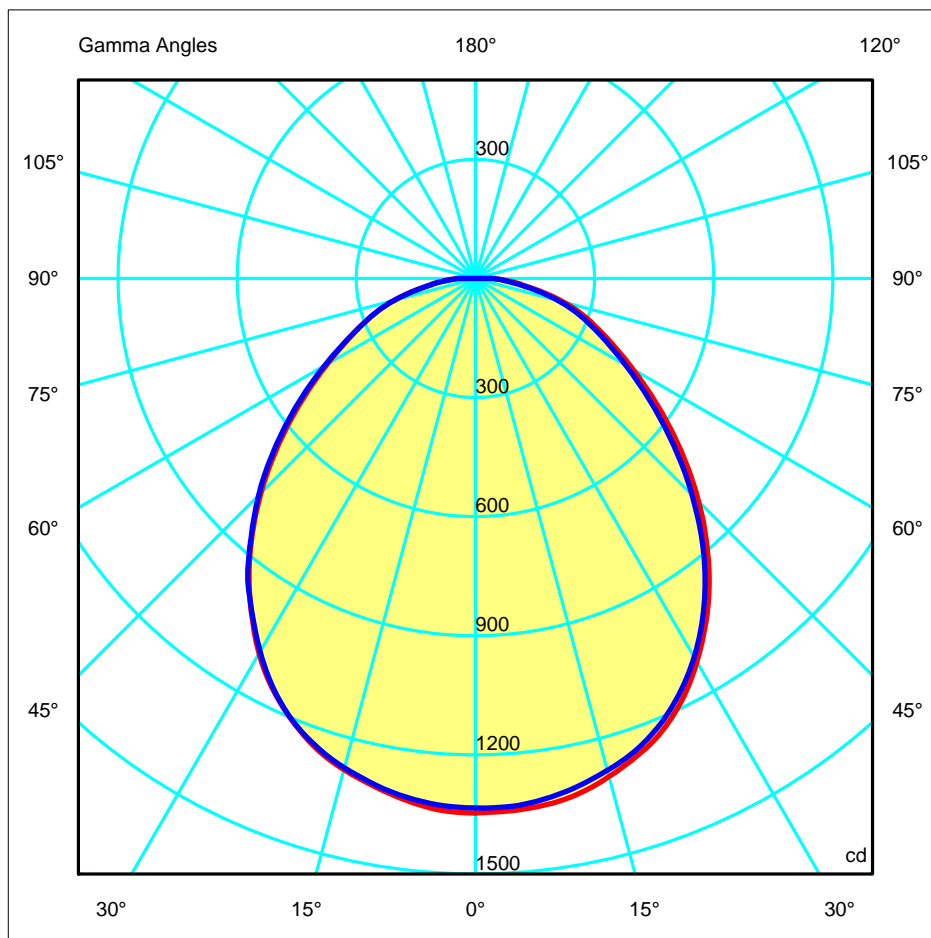
180.0 — 0.0

270.0 — 90.0

ULOR 0.00 %

DLOR 100.00 %

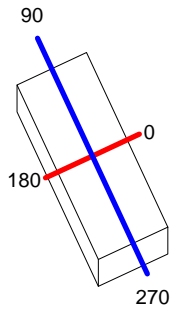
RN 0.00 %



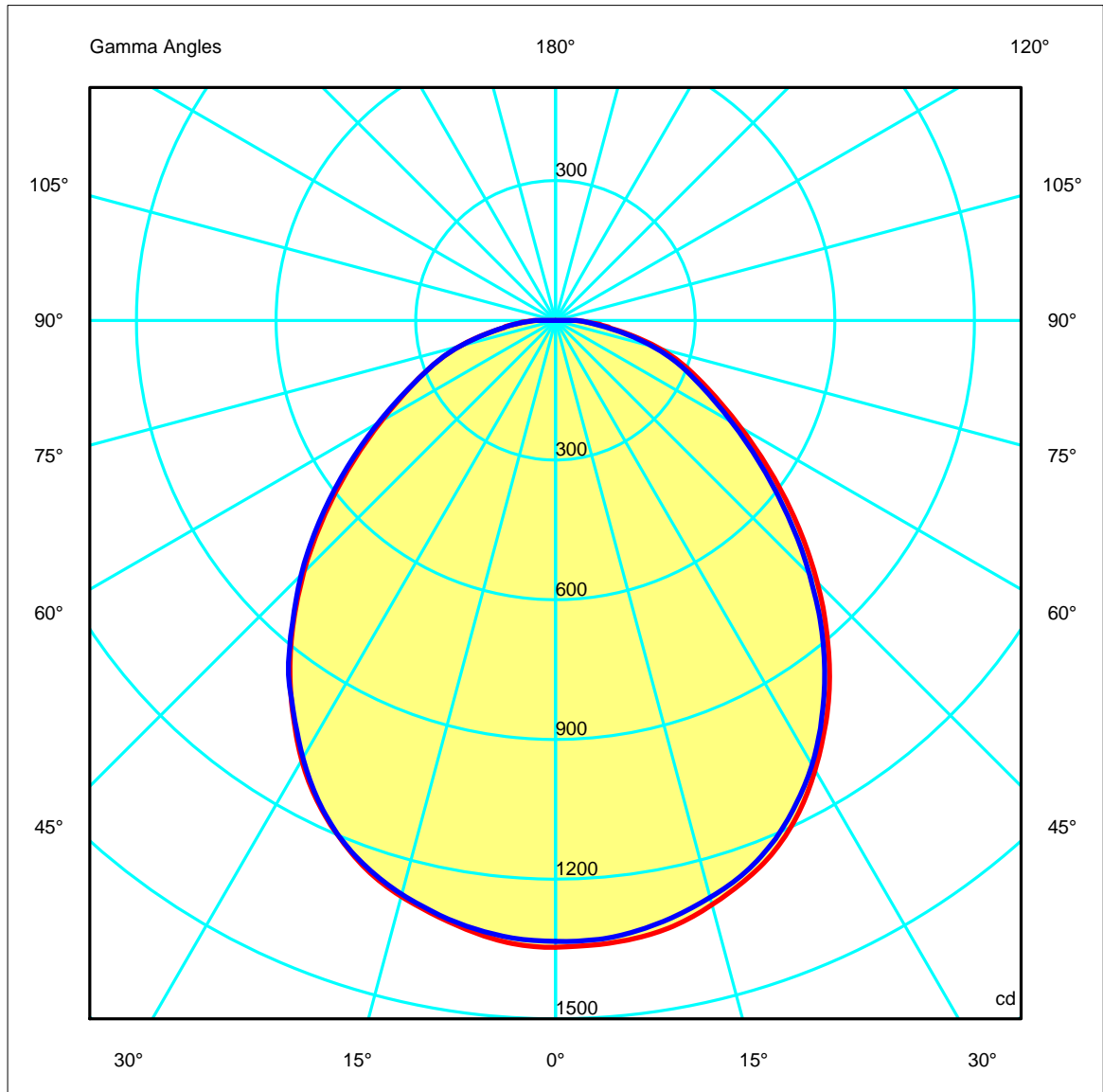
Luminaire		Measur.		Lamp	
Code	15-9839	Code	15-9839	Code	LED
Name	15-9839	Name	15-9839	Number	1
Line	Eulumdat	Date	09-02-2015	Position	
Efficiency	100.00%	Coordinate system	CG	Total Flux	3393.90 lm

324mm x 129mm

C Halfplanes



180.0 ——— 0.0
270.0 ——— 90.0

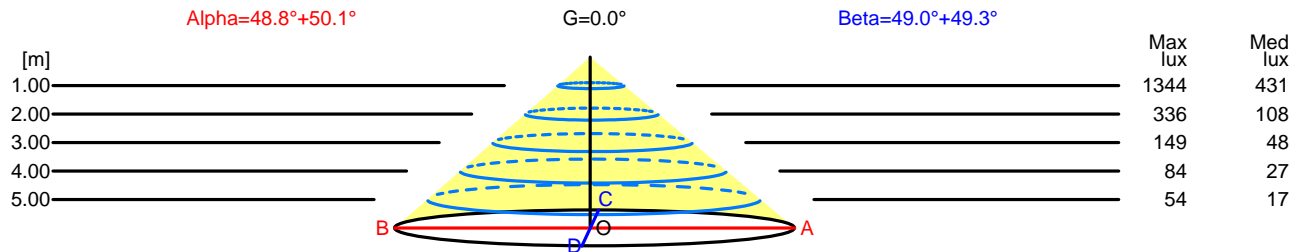


Luminaire		Measur.		Lamp	
Code	15-9839	Code	15-9839	Code	LED
Name	15-9839	Name	15-9839	Number	1
Line	Eulumdat	Date	09-02-2015	Position	
Efficiency	100.00%	Coordinate system	CG	Total Flux	3393.90 lm

Width at 50.00 % of Max Intensity

H[m]	1.00	2.00	3.00	4.00	5.00	H[m]	1.00	2.00	3.00	4.00	5.00
OA	1.20	2.39	3.59	4.79	5.98	OC	1.15	2.30	3.46	4.61	5.76
OB	1.14	2.29	3.43	4.57	5.72	OD	1.16	2.32	3.48	4.64	5.80

	Luminous Intensities [cd]									
	0	5	15	25	35	45	55	65	75	85
OA	1346.28	1342.18	1299.18	1198.36	1018.52	794.48	561.23	371.78	229.80	94.94
OB	1346.28	1337.71	1280.51	1172.29	989.41	764.44	533.19	347.63	212.43	85.79
OC	1333.53	1330.85	1282.51	1181.72	1003.49	771.68	537.05	354.99	216.77	81.54
OD	1333.53	1326.81	1275.55	1170.32	989.35	772.55	543.36	349.82	211.07	86.62



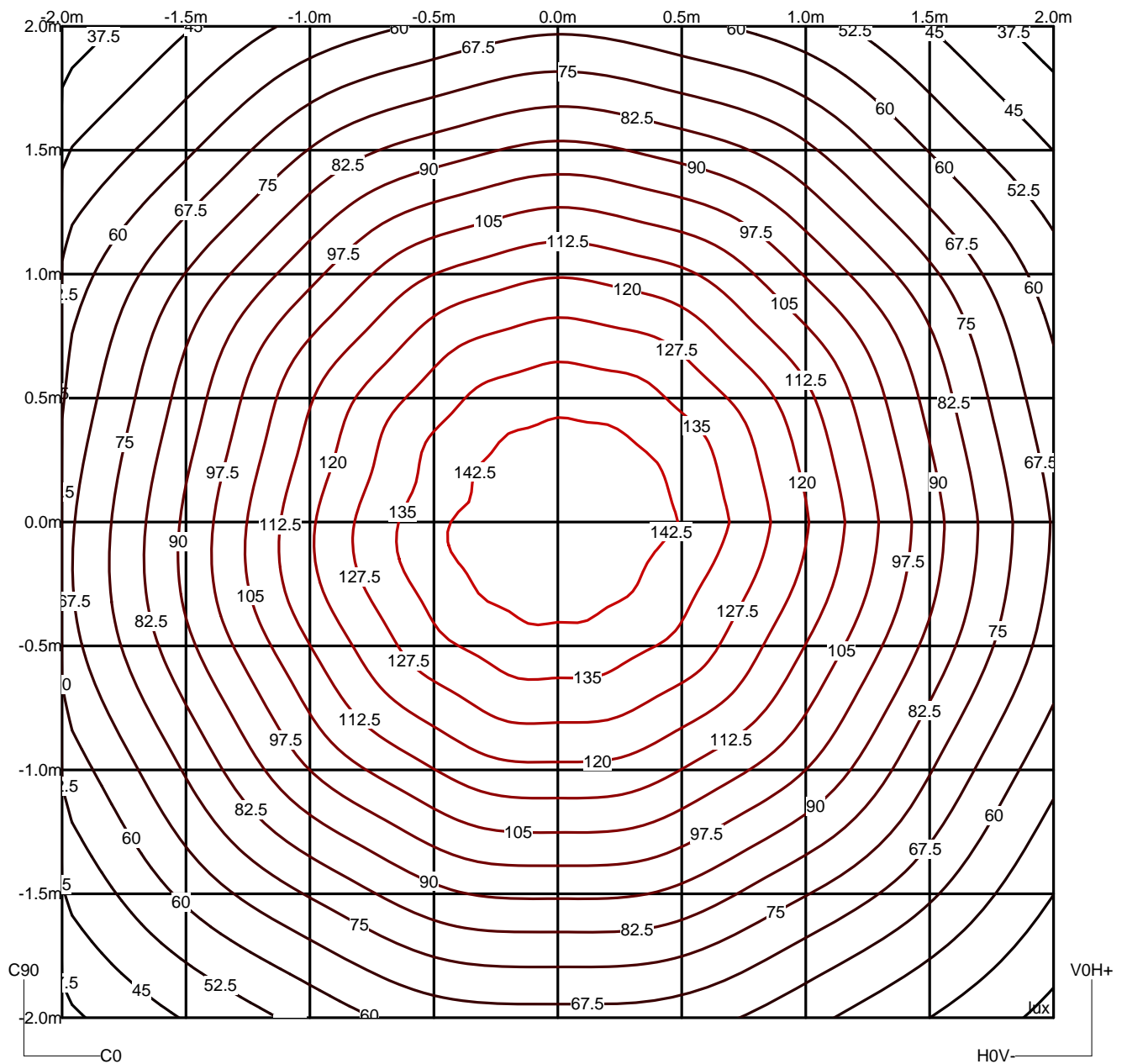
H[m]	D[m]	Max lux	Med lux	Alpha=48.8°+50.1°	G=0.0	
1.00	2.34	1344	431			
2.00	4.68	336	108			
3.00	7.02	149	48			
4.00	9.36	84	27			
5.00	11.70	54	17			

H[m]	D[m]	Max lux	Med lux	Beta=49.3°+49.0°	G=0.0	
1.00	2.31	1344	431			
2.00	4.63	336	108			
3.00	6.94	149	48			
4.00	9.25	84	27			
5.00	11.57	54	17			

Luminaire		Measuram.		Lamp	
Code	15-9839	Code	15-9839	Code	LED
Name	15-9839	Name	15-9839	Number	1
Line	Eulumdat	Date	09-02-2015	Position	
Efficiency	100.00%	Coordinate system	CG	Total Flux	3393.90 lm

Isolux (Floor)

Luminaire position X=0.00m Y=0.00m Z=3.00m



Luminaire
 Code 15-9839
 Name 15-9839
 Line Eulumdat

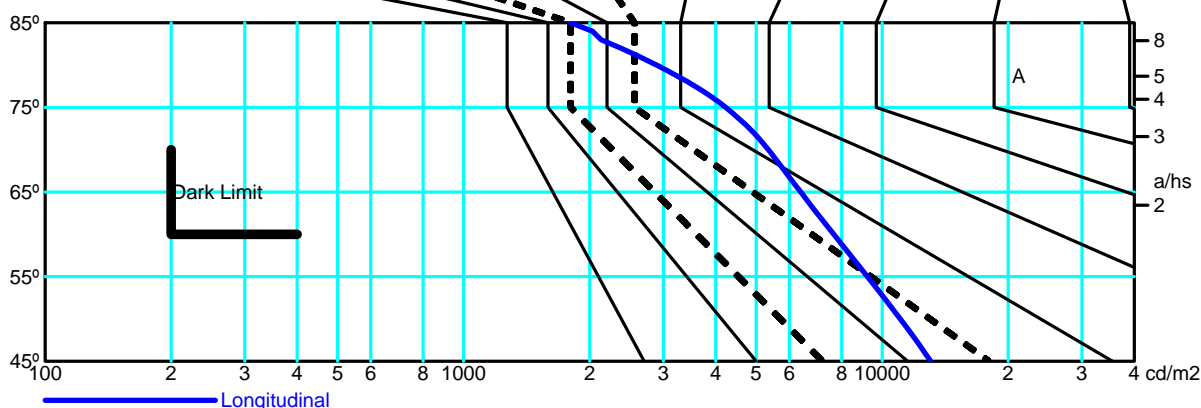
Measur.
 Code 15-9839
 Name 15-9839
 Date 09-02-2015

Lamp
 Code LED
 Number 1
 Position

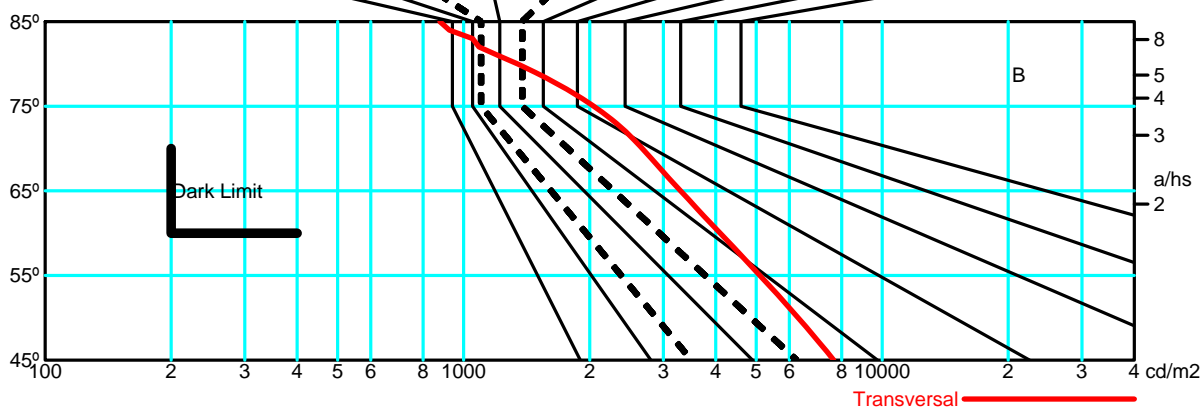
Efficiency 100.00% Coordinate system CG Total Flux 3393.90 lm

		Average Luminance [cd/m ²]										
		0.0°	45°	50°	55°	60°	65°	70°	75°	80°	85°	
0.0°		7655	6299	5104	4099	3296	2673	2048	1347	877	---	
90.0°		13055	11034	9226	7648	6391	5344	4235	2893	1801	---	

Flush mounted or longitudinal view												
		Illumination(lx)										
A	A	2000	1000	750	500	<300						1.15
B	1		2000	1500	1000	750	500	<300				1.5
C					2000		1000	500	<300			1.85
D	2						2000	1000	500	<300		2.2
E	3							2000	1000	500	<300	2.55

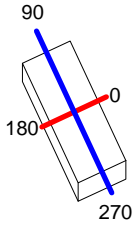


Flush mounted or transversal view												
		Illumination(lx)										
A	A	2000	1000	750	500	<300						1.15
B	1		2000	1500	1000	750	500	<300				1.5
C					2000		1000	500	<300			1.85
D	2						2000	1000	500	<300		2.2
E	3							2000	1000	500	<300	2.55



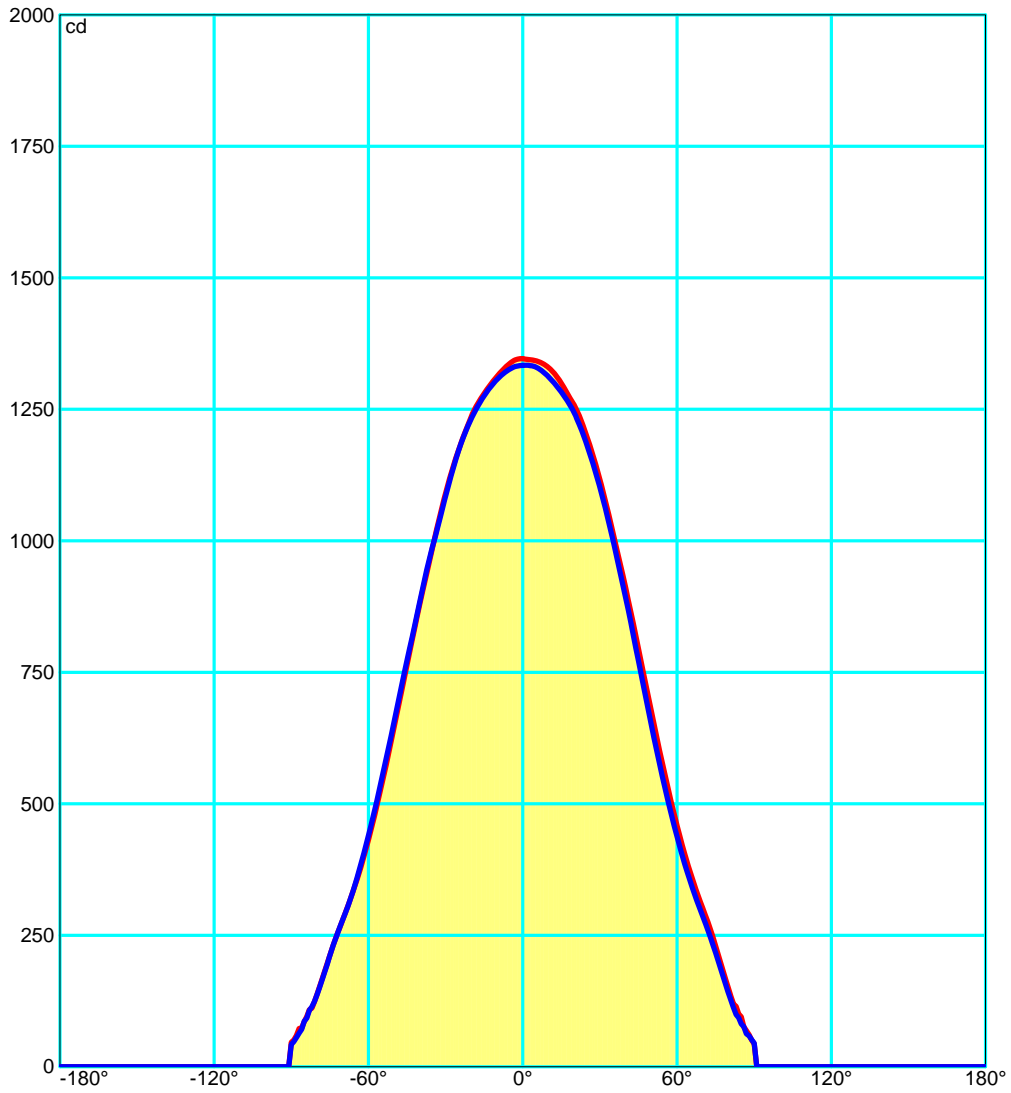
Luminaire		Measur.		Lamp	
Code	15-9839	Code	15-9839	Code	LED
Name	15-9839	Name	15-9839	Number	1
Line	Eulumdat	Date	09-02-2015	Position	
Efficiency	100.00%	Coordinate system	CG	Total Flux	3393.90 lm

324mm x 129mm



C Halfplanes

180.0 ———— 0.0
 270.0 ———— 90.0



Luminaire		Measur.		Lamp	
Code	15-9839	Code	15-9839	Code	LED
Name	15-9839	Name	15-9839	Number	1
Line	Eulumdat	Date	09-02-2015	Position	
Efficiency	100.00%	Coordinate system	CG	Total Flux	3393.90 lm

UGR
S = 0.250

Reflectancies										
Ceiling/Cavity	0.7	0.7	0.5	0.5	0.3	0.7	0.7	0.5	0.5	0.3
Walls	0.5	0.3	0.5	0.3	0.3	0.5	0.3	0.5	0.3	0.3
WorkingPlane	0.2	0.2	0.2	0.2	0.2	0.2	0.2	0.2	0.2	0.2
RoomDimensions	ViewedCrosswise					ViewedEndwise				
x=2H y=2H	17.6	18.9	17.9	19.1	20.7	18.9	20.2	19.2	20.4	20.7
x=2H y=3H	18.6	19.7	18.9	20.0	21.7	20.1	21.2	20.4	21.5	21.7
x=2H y=4H	19.0	20.0	19.3	20.3	22.2	20.6	21.6	20.9	21.9	22.2
x=2H y=6H	19.2	20.2	19.5	20.5	22.5	20.9	21.9	21.2	22.2	22.5
x=2H y=8H	19.3	20.2	19.6	20.6	22.6	21.0	22.0	21.3	22.3	22.6
x=2H y=12H	19.3	20.3	19.7	20.6	22.7	21.1	22.0	21.4	22.3	22.7
x=4H y=2H	18.1	19.2	18.4	19.5	20.9	19.2	20.3	19.6	20.6	20.9
x=4H y=3H	19.2	20.2	19.6	20.5	22.1	20.5	21.4	20.9	21.8	22.1
x=4H y=4H	19.7	20.5	20.1	20.9	22.7	21.1	21.9	21.5	22.3	22.7
x=4H y=6H	20.1	20.8	20.5	21.2	23.1	21.6	22.3	22.0	22.7	23.1
x=4H y=8H	20.2	20.8	20.6	21.2	23.2	21.7	22.4	22.1	22.8	23.2
x=4H y=12H	20.3	20.9	20.7	21.3	23.3	21.8	22.4	22.3	22.8	23.3
x=8H y=4H	19.9	20.6	20.4	21.0	22.7	21.2	21.9	21.7	22.3	22.7
x=8H y=6H	20.4	20.9	20.8	21.4	23.2	21.8	22.3	22.2	22.7	23.2
x=8H y=8H	20.5	21.0	21.0	21.5	23.4	22.0	22.4	22.4	22.9	23.4
x=8H y=12H	20.7	21.1	21.2	21.6	23.5	22.1	22.5	22.6	23.0	23.5
x=12H y=4H	19.9	20.5	20.4	20.9	22.7	21.2	21.8	21.7	22.2	22.7
x=12H y=6H	20.4	20.9	20.9	21.3	23.2	21.8	22.2	22.2	22.7	23.2
x=12H y=8H	20.6	21.0	21.1	21.5	23.4	22.0	22.4	22.5	22.9	23.4

Luminaire		Measur.				Lamp	
Code	15-9839	Code	15-9839		Code	LED	
Name	15-9839	Name	15-9839		Number	1	
Line	Eulumdat	Date	09-02-2015		Position		
Efficiency	100.00%	Coordinate system	CG		Total Flux	3393.90 lm	

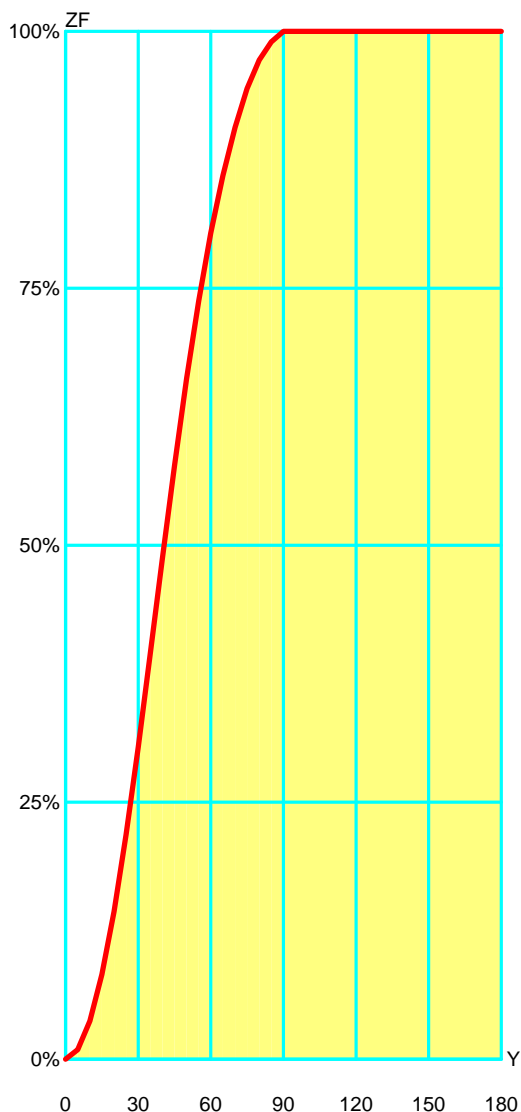
Total Flux=3393.90 Luminaire Flux=3393.87

RI	0.60	0.80	1.00	1.25	1.50	2.00	2.50	3.00	4.00	5.00	10.00	20.00
DRR	0.34	0.42	0.49	0.56	0.61	0.70	0.75	0.79	0.83	0.86	0.93	0.96
RC	5	4	4	4	4	4	4	4	4	5	5	5

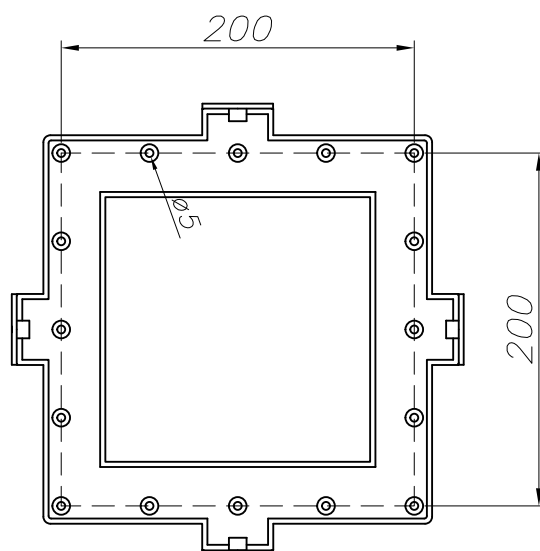
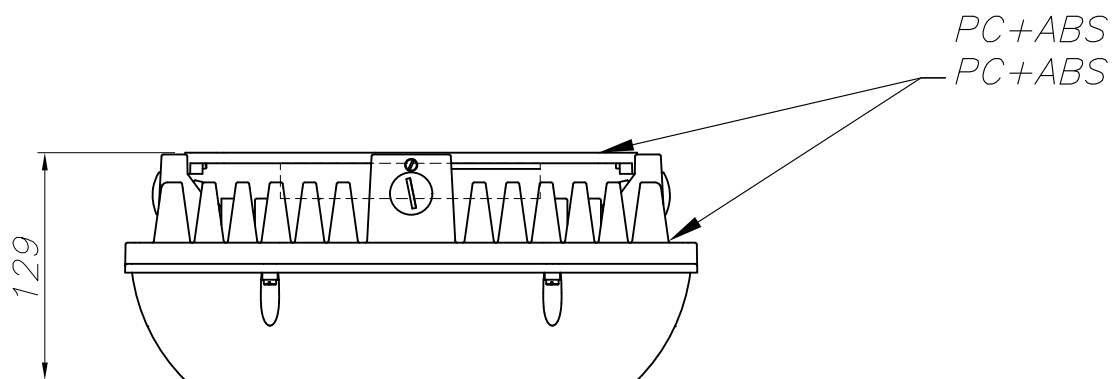
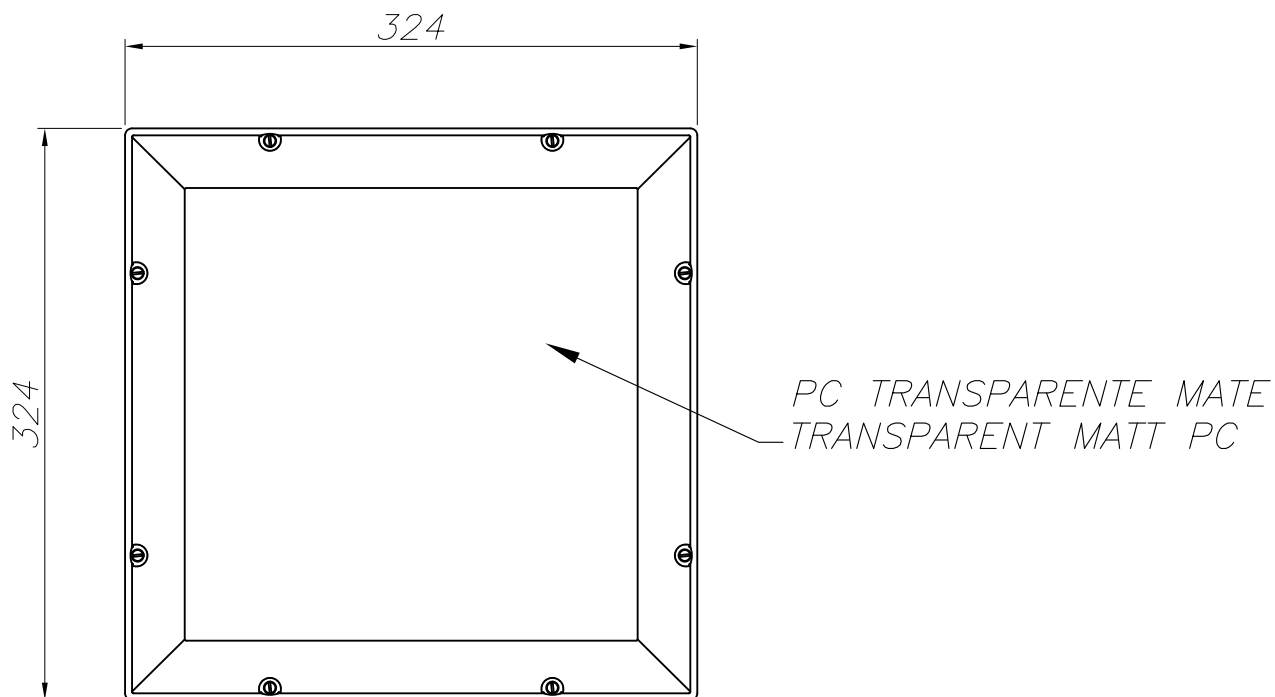
Zonal Flux per 1000 Lumen																		
Y°	10	20	30	40	50	60	70	80	90	100	110	120	130	140	150	160	170	180
ZF(Y)	37	144	303	487	662	804	906	972	1000	1000	1000	1000	1000	1000	1000	1000	1000	1000

CIE Flux Codes
51 80 95 100 100

C.I.E.	5/4/4/4/4/4/4/4/5/5/5	LOR	99.99909 %
D DIN 5040	A40	ULOR	0.00000 %
F UTE	1.00 D	DLOR	99.99909 %
B NBN	BZ 4	UFF	0.00000 %
RN	0.00000 %	DFF	100.00000 %
BLF	1.0	FFR	0.00000 %



Zonal Flux				
Gamma °	Flux	Sum lm	Flux [%]	Sum [%]
0°	0.00	0.00	0.00%	0.00 %
5°	9.39	9.39	0.94 %	0.94 %
10°	27.85	37.24	2.78 %	3.72 %
15°	45.31	82.55	4.53 %	8.25 %
20°	61.18	143.73	6.12 %	14.37 %
25°	74.73	218.46	7.47 %	21.85 %
30°	84.96	303.43	8.50 %	30.34 %
35°	91.06	394.49	9.11 %	39.45 %
40°	92.89	487.37	9.29 %	48.74 %
45°	90.41	577.78	9.04 %	57.78 %
50°	84.34	662.12	8.43 %	66.21 %
55°	75.71	737.83	7.57 %	73.78 %
60°	65.89	803.73	6.59 %	80.37 %
65°	55.98	859.71	5.60 %	85.97 %
70°	46.75	906.46	4.68 %	90.65 %
75°	37.88	944.34	3.79 %	94.44 %
80°	27.76	972.11	2.78 %	97.21 %
85°	17.53	989.64	1.75 %	98.96 %
90°	10.35	999.99	1.04 %	100.00 %
95°	0.00	999.99	0.00 %	100.00 %
100°	0.00	999.99	0.00 %	100.00 %
105°	0.00	999.99	0.00 %	100.00 %
110°	0.00	999.99	0.00 %	100.00 %
115°	0.00	999.99	0.00 %	100.00 %
120°	0.00	999.99	0.00 %	100.00 %
125°	0.00	999.99	0.00 %	100.00 %
130°	0.00	999.99	0.00 %	100.00 %
135°	0.00	999.99	0.00 %	100.00 %
140°	0.00	999.99	0.00 %	100.00 %
145°	0.00	999.99	0.00 %	100.00 %
150°	0.00	999.99	0.00 %	100.00 %
155°	0.00	999.99	0.00 %	100.00 %
160°	0.00	999.99	0.00 %	100.00 %
165°	0.00	999.99	0.00 %	100.00 %
170°	0.00	999.99	0.00 %	100.00 %
175°	0.00	999.99	0.00 %	100.00 %
180°	0.00	999.99	0.00 %	100.00 %



PLANTILLA DE INSTALACIÓN
INSTALLATION TEMPLATE

