

BASIC Aluminium Ceiling fixture

Designer: Josep Patsí

**Description**

Recessed light fitting for outdoor use.

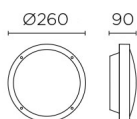
For frontal lighting. Structure material: Aluminium, Polycarbonate + ABS. Structure finish: Grey. Blades finishes: NA. Diffuser material: Polycarbonate. Diffuser finish: Opal. UV protection. Warranty: 5 Years.

Finish

Grey
Opal
NA

Material

Aluminium
Polycarbonate + ABS
Polycarbonate

**TECHNICAL CHARACTERISTICS****Light source**

Lampholder: 1 x E27
Output (W): MAX 23W
Lamp maximum dimension: 165/55 mm
Real Lumen: 523
Quantity: 1
Lm/Real W: 23
UGR: 15.8

GEAR

Brand: NA

Luminaire

Double cable exit: No
Drainage: No
Uv Protection: Yes
Warranty: 5 Years

Logistics

Energy Efficiency: NO BULB
EAN Code: 8435381421380
Net Weight (Kg): 0.640
Weight in Kg (packaged): 0.850
Packing: 270 x 110 x 275
Masterbox: 12

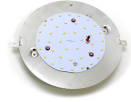
The photograph may not match the reference exactly. Please read the product description to identify the finish.

OPTIONAL ACCESSORIES



71-9711-00-CLV2

Structure material:
Dimensions: NA x NA x NA
Net Weight (Kg): 0.270



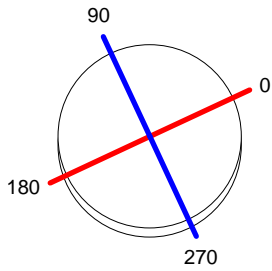
71-9711-00-CMV2

Structure material:
Dimensions: NA x NA x NA
Net Weight (Kg): 0.270

Luminaire		Measur.		Lamp	
Code	15-9835-34-M1	Code	15-9491-34-M3	Code	PL ELECT pro23W/827
Name	Apliq. BASIC 1x23W TC-TEL opal	Name	Apliq. BASIC 1x23W TC-TEL opal	Number	1
Line	Eulumdat	Date	19-05-2011	Position	
Efficiency	34.89%	Coordinate system	CG	Total Flux	1500.00 lm
Maximum value	156.72 cd	Position	C=0.00 G=30.00	Double Symmetrical	
Round Luminaire	Diam.	260 mm	Height	95 mm	
Round Luminous Area	Diam.	220 mm	Height	25 mm	
Horizontal Luminous Area	0.038013 m2	Emitting area on Plane 180°	0.005500 m2		
Emitting area on Plane 0°	0.005500 m2	Emitting area on Plane 270°	0.005500 m2		
Emitting area on Plane 90°	0.005500 m2	Glare area at 76°	0.014533 m2		
Symmetry Type	Double Symmetrical	Maximum Gamma Angle	180		
Measurement Distance	0.00	Measurement Flux	1500.00 lm		
Operator	Asselum T2	Source voltage			
Temperature	25.00 °C	Source current			
Humidity	60.00 %	Photocell			
Notes					

Luminaire Lamps					
Line	Code	Name	Flux [lm]	Pow. [W]	Q.ty
Eulumdat	PL ELECT pro23W/827	PL ELECT pro23W/827 - 23.00 W	1500.00	23.00	1
C.I.E.	42 74 93 98 35	D DIN 5040	A31		
F UTE	0.34 E + 0.01 T	B NBN	BZ 5		

Diam=260mm



C Halfplanes

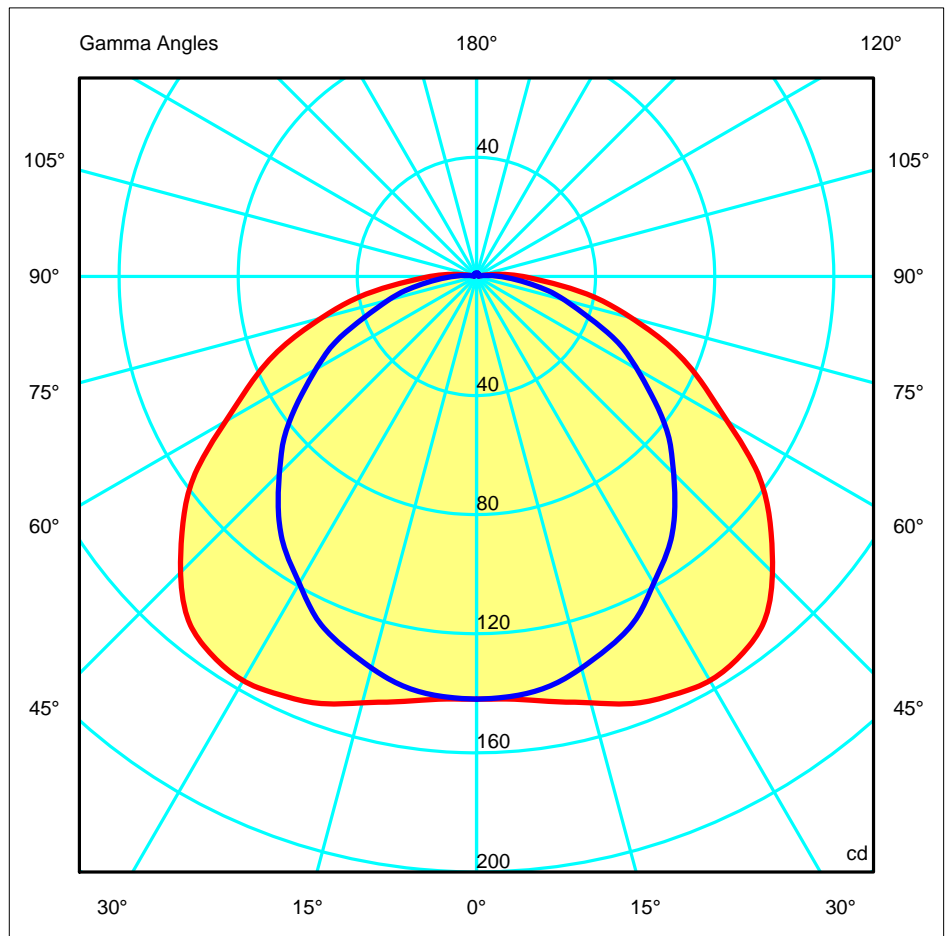
180.0 — 0.0

270.0 — 90.0

ULOR 0.75 %

DLOR 34.14 %

RN 2.14 %

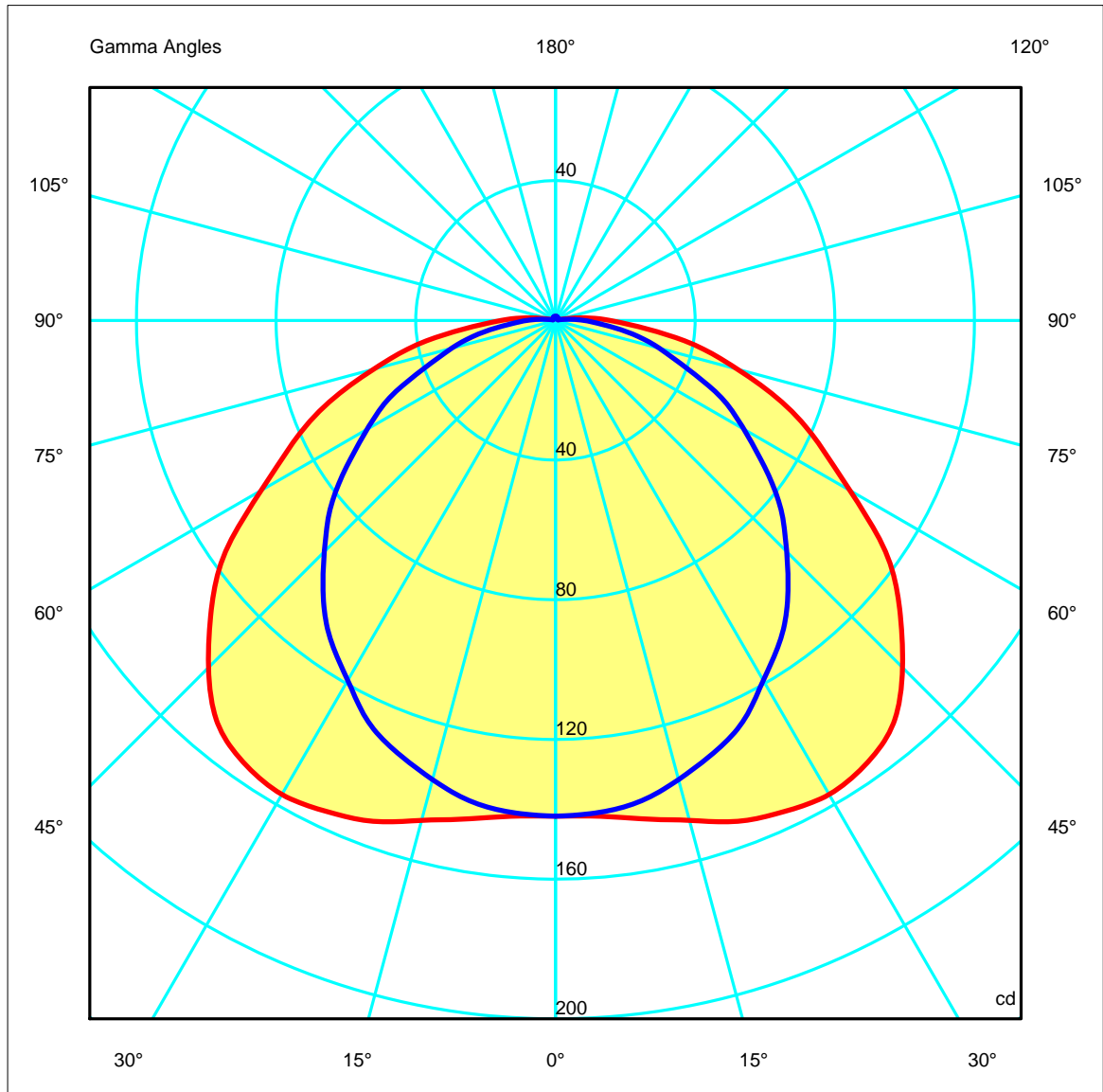
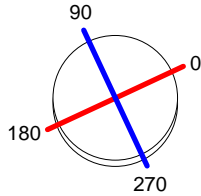


Luminaire		Measur.		Lamp	
Code	15-9835-34-M1	Code	15-9491-34-M3	Code	PL ELECT pro23W/827
Name	Apliq. BASIC 1x23W TC-TEL opal	Name	Apliq. BASIC 1x23W TC-TEL opal	Number	1
Line	Eulmdat	Date	19-05-2011	Position	
Efficiency	34.89%	Coordinate system	CG	Total Flux	1500.00 lm

Diam=260mm

C Halfplanes

180.0 ——— 0.0
 270.0 ——— 90.0



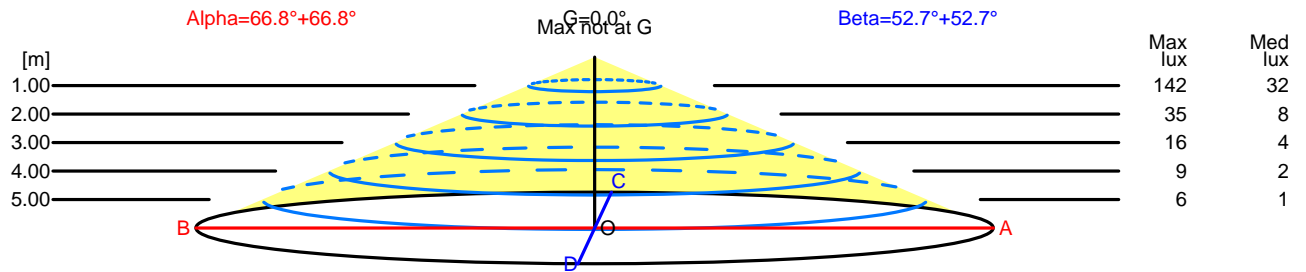
Luminaire	Measur.	Lamp
Code 15-9835-34-M1	Code 15-9491-34-M3	Code PL ELECT pro23W/827
Name Apliq. BASIC 1x23W TC-TEL opal	Name Apliq. BASIC 1x23W TC-TEL opal	Number 1
Line Eulumdat	Date 19-05-2011	Position

Efficiency	34.89%	Coordinate system	CG	Total Flux	1500.00 lm
------------	--------	-------------------	----	------------	------------

Width at 50.00 % of Max Intensity

H[m]	1.00	2.00	3.00	4.00	5.00	H[m]	1.00	2.00	3.00	4.00	5.00
OA	2.33	4.67	7.00	9.33	11.66	OC	1.31	2.63	3.94	5.26	6.57
OB	2.33	4.67	7.00	9.33	11.66	OD	1.31	2.63	3.94	5.26	6.57

	Luminous Intensities [cd]									
	0	5	15	25	35	45	55	65	75	85
OA	141.94	142.48	148.20	155.15	155.04	140.51	115.34	83.03	53.90	25.39
OB	141.94	142.48	148.20	155.15	155.04	140.51	115.34	83.03	53.90	25.39
OC	141.94	141.43	136.12	126.84	112.08	93.58	73.08	52.44	30.78	13.56
OD	141.94	141.43	136.12	126.84	112.08	93.58	73.08	52.44	30.78	13.56



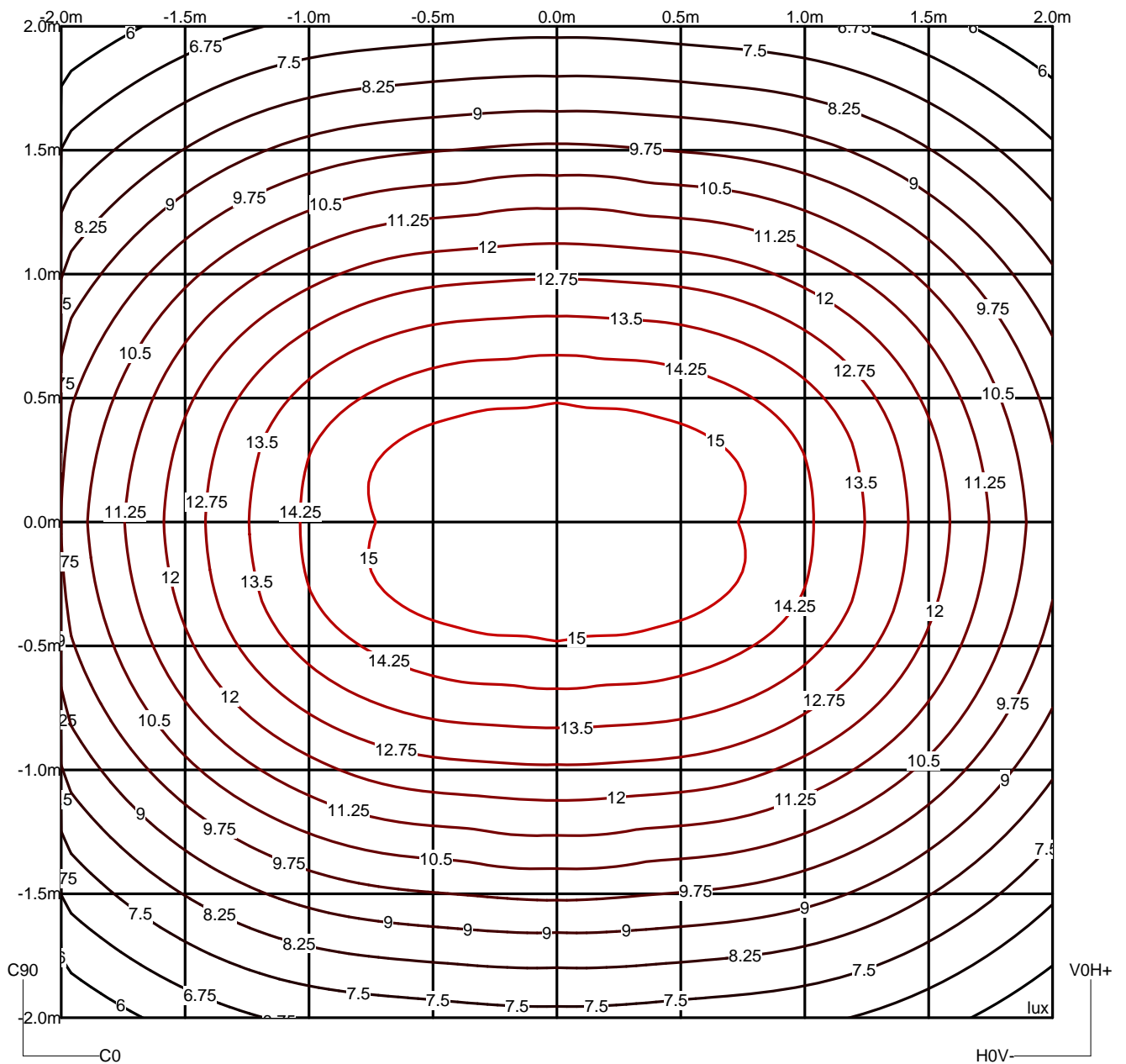
H[m]	D[m]	Max lux	Med lux	Alpha=66.8°+66.8° G=0,0 Max not at G
1.00	4.67	142	32	
2.00	9.33	35	8	
3.00	14.00	16	4	
4.00	18.66	9	2	
5.00	23.33	6	1	

H[m]	D[m]	Max lux	Med lux	Beta=52.7°+52.7° G=0,0 Max not at G
1.00	2.63	142	32	
2.00	5.26	35	8	
3.00	7.88	16	4	
4.00	10.51	9	2	
5.00	13.14	6	1	

Luminaire		Measur.		Lamp	
Code	15-9835-34-M1	Code	15-9491-34-M3	Code	PL ELECT pro23W/827
Name	Apliq. BASIC 1x23W TC-TEL opal	Name	Apliq. BASIC 1x23W TC-TEL opal	Number	1
Line	Eulumdat	Date	19-05-2011	Position	
Efficiency	34.89%	Coordinate system	CG	Total Flux	1500.00 lm

Isolux (Floor)

Luminaire position X=0.00m Y=0.00m Z=3.00m



Luminaire

Code 15-9835-34-M1
 Name Apliq. BASIC 1x23W TC-TEL opal
 Line Eulumdat

Measur.

Code 15-9491-34-M3
 Name Apliq. BASIC 1x23W TC-TEL opal
 Date 19-05-2011

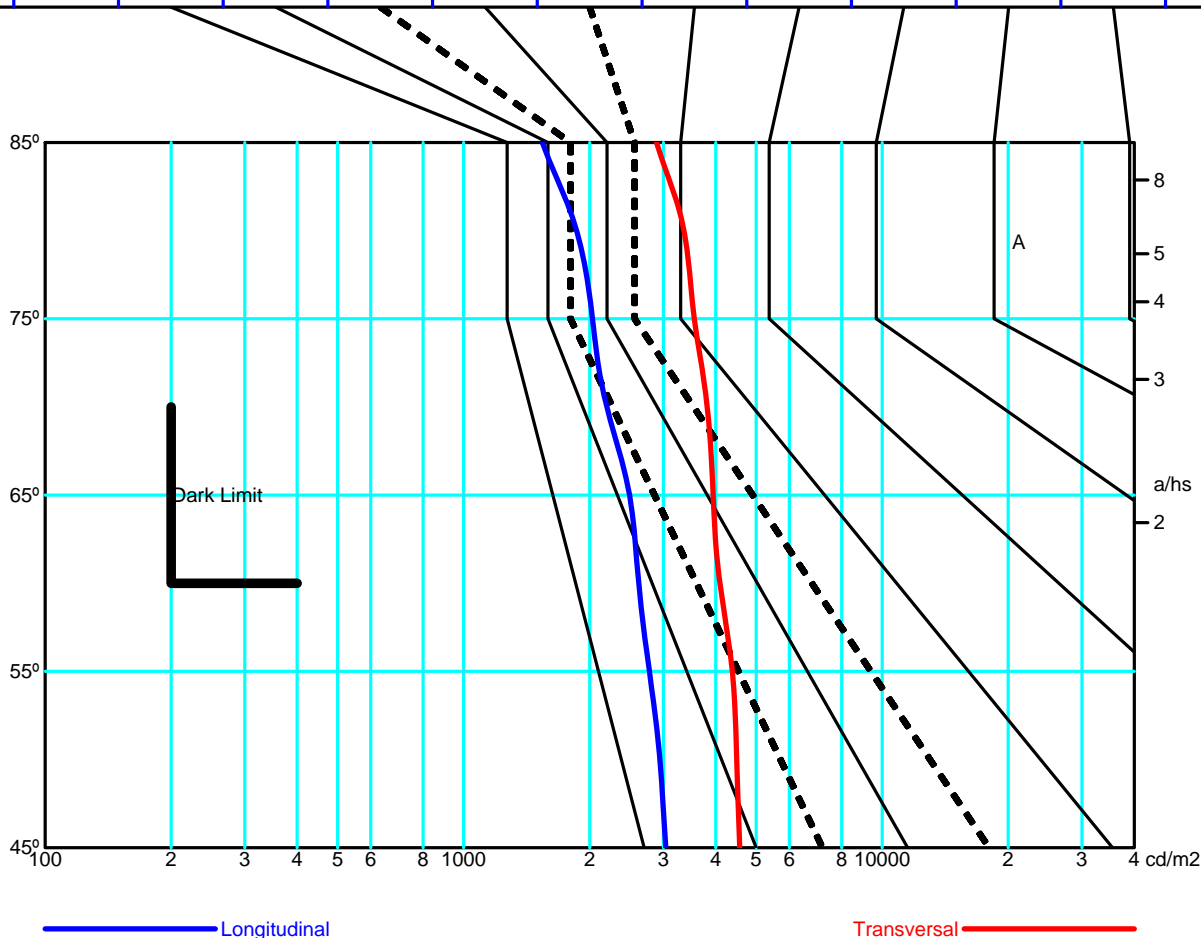
Lamp

Code PL ELECT pro23W/827
 Number 1
 Position

Efficiency 34.89% Coordinate system CG Total Flux 1500.00 lm

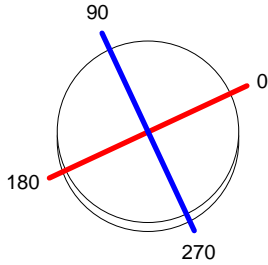
		Average Luminance [cd/m ²]									
		45°	50°	55°	60°	65°	70°	75°	80°	85°	
0.0°	4567	4492	4384	4093	3945	3820	3557	3361	2888	---	
90.0°	3041	2943	2778	2619	2491	2197	2032	1862	1542	---	

Flush mounted or longitudinal view												
		Illumination(lx)										
A	A	2000	1000	750	500		<300					1.15
B	1		2000	1500	1000	750	500	<300				1.5
C					2000		1000	500	<300			1.85
D	2						2000	1000	500	<300		2.2
E	3							2000	1000	500	<300	2.55

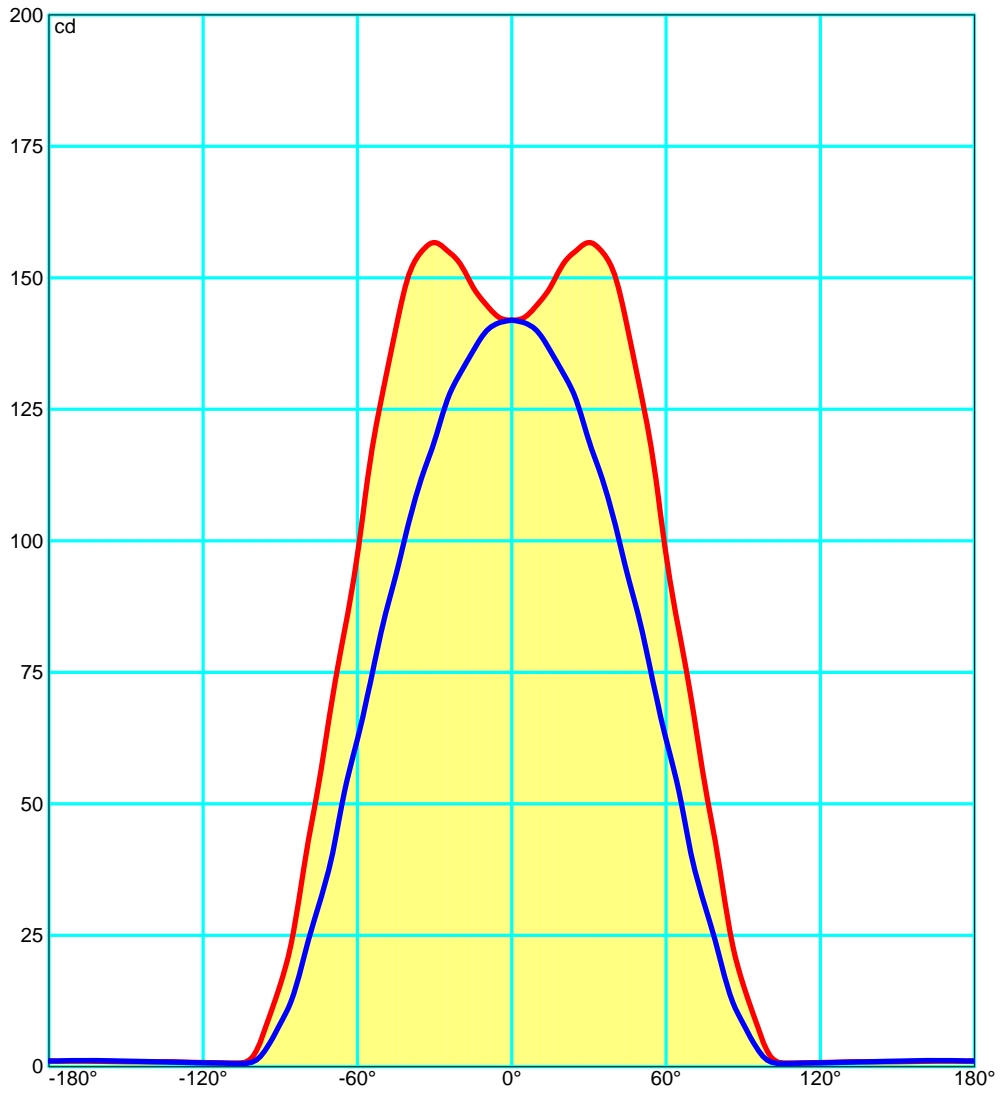


Luminaire		Measur.		Lamp	
Code	15-9835-34-M1	Code	15-9491-34-M3	Code	PL ELECT pro23W/827
Name	Apliq. BASIC 1x23W TC-TEL opal	Name	Apliq. BASIC 1x23W TC-TEL opal	Number	1
Line	Eulumdat	Date	19-05-2011	Position	
Efficiency	34.89%	Coordinate system	CG	Total Flux	1500.00 lm

Diam=260mm



C Halfplanes



Luminaire		Measur.		Lamp	
Code	15-9835-34-M1	Code	15-9491-34-M3	Code	PL ELECT pro23W/827
Name	Apliq. BASIC 1x23W TC-TEL opal	Name	Apliq. BASIC 1x23W TC-TEL opal	Number	1
Line	Eulumdat	Date	19-05-2011	Position	
Efficiency	34.89%	Coordinate system	CG	Total Flux	1500.00 lm

UGR
S = 0.250

Reflectancies										
Ceiling/Cavity	0.7	0.7	0.5	0.5	0.3	0.7	0.7	0.5	0.5	0.3
Walls	0.5	0.3	0.5	0.3	0.3	0.5	0.3	0.5	0.3	0.3
WorkingPlane	0.2	0.2	0.2	0.2	0.2	0.2	0.2	0.2	0.2	0.2
RoomDimensions	ViewedCrosswise					ViewedEndwise				
x=2H y=2H	17.7	19.0	18.0	19.3	17.7	15.8	17.2	16.1	17.4	17.7
x=2H y=3H	19.5	20.7	19.8	21.0	19.1	17.2	18.5	17.6	18.7	19.1
x=2H y=4H	20.3	21.4	20.6	21.7	19.6	17.8	18.9	18.2	19.3	19.6
x=2H y=6H	20.9	22.1	21.3	22.4	20.1	18.3	19.4	18.7	19.7	20.1
x=2H y=8H	21.2	22.3	21.6	22.6	20.2	18.5	19.5	18.9	19.9	20.2
x=2H y=12H	21.5	22.5	21.9	22.8	20.4	18.6	19.6	19.1	20.0	20.4
x=4H y=2H	18.2	19.4	18.6	19.7	18.7	16.9	18.0	17.2	18.3	18.7
x=4H y=3H	20.2	21.2	20.7	21.6	20.2	18.4	19.4	18.9	19.8	20.2
x=4H y=4H	21.1	22.1	21.6	22.4	20.9	19.1	20.0	19.6	20.4	20.9
x=4H y=6H	22.0	22.8	22.4	23.2	21.4	19.7	20.5	20.2	21.0	21.4
x=4H y=8H	22.3	23.1	22.8	23.5	21.6	20.0	20.7	20.5	21.1	21.6
x=4H y=12H	22.7	23.3	23.1	23.8	21.8	20.2	20.9	20.7	21.3	21.8
x=8H y=4H	21.4	22.2	21.9	22.6	21.3	19.7	20.4	20.2	20.8	21.3
x=8H y=6H	22.4	23.0	22.9	23.5	22.0	20.4	21.0	20.9	21.5	22.0
x=8H y=8H	22.9	23.4	23.4	23.9	22.4	20.8	21.3	21.3	21.8	22.4
x=8H y=12H	23.3	23.7	23.8	24.2	22.6	21.1	21.6	21.6	22.1	22.6
x=12H y=4H	21.5	22.1	21.9	22.6	21.4	19.8	20.4	20.3	20.9	21.4
x=12H y=6H	22.5	23.0	23.0	23.5	22.2	20.6	21.1	21.1	21.6	22.2
x=12H y=8H	23.0	23.4	23.5	23.9	22.5	21.0	21.5	21.5	22.0	22.5

Luminaire	Measur.	Lamp
Code 15-9835-34-M1	Code 15-9491-34-M3	Code PL ELECT pro23W/827
Name Apliq. BASIC 1x23W TC-TEL opal	Name Apliq. BASIC 1x23W TC-TEL opal	Number 1
Line Eulumdat	Date 19-05-2011	Position

Efficiency 34.89%	Coordinate system CG	Total Flux 1500.00 lm
-------------------	----------------------	-----------------------

Total Flux=1500.00 Luminaire Flux=523.31

	0.60	0.80	1.00	1.25	1.50	2.00	2.50	3.00	4.00	5.00	10.00	20.00
RI	0.27	0.35	0.43	0.50	0.55	0.64	0.70	0.74	0.80	0.83	0.91	0.95
DRR	6	6	6	6	6	6	6	6	6	6	6	6
RC												

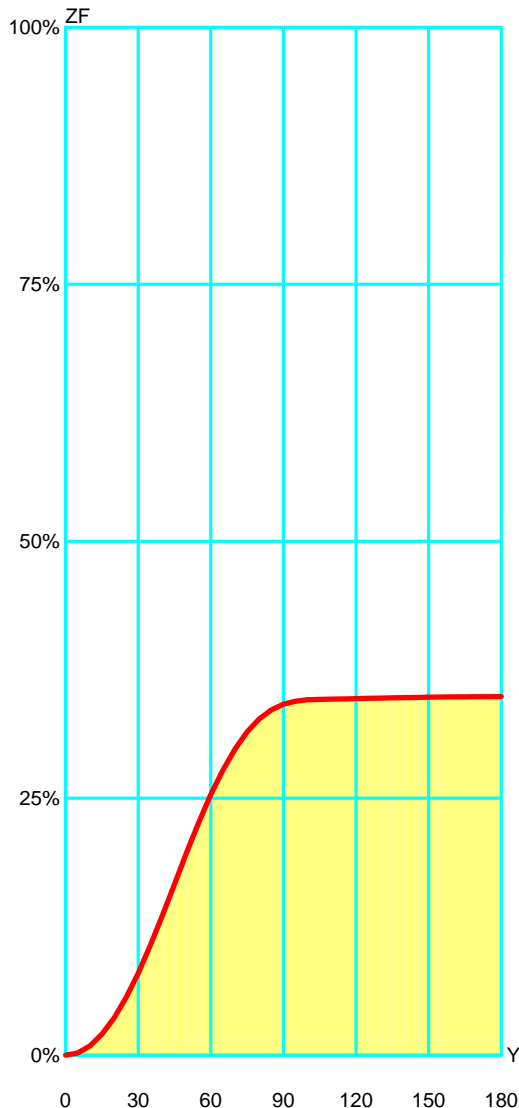
Zonal Flux per 1000 Lumen

	10	20	30	40	50	60	70	80	90	100	110	120	130	140	150	160	170	180
Y°	9	36	80	136	197	253	298	327	341	346	346	347	347	348	348	349	349	349
ZF(Y)																		

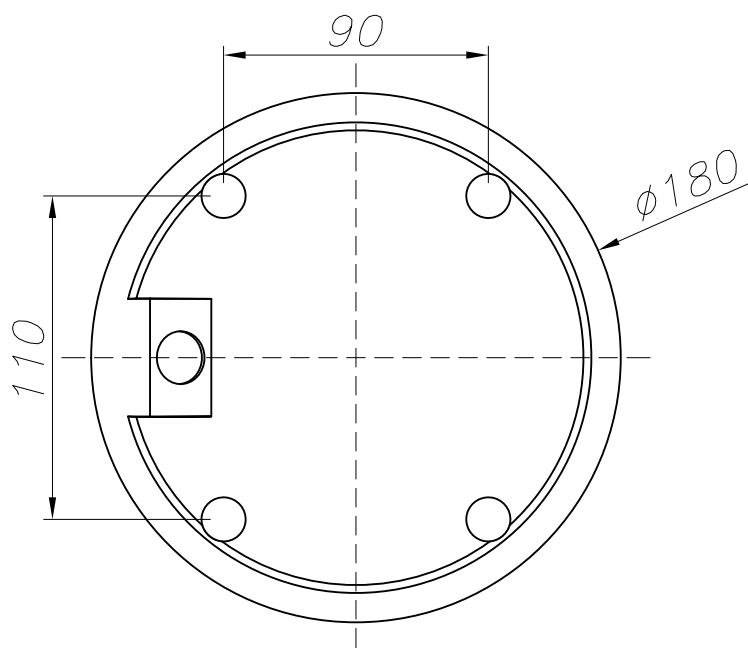
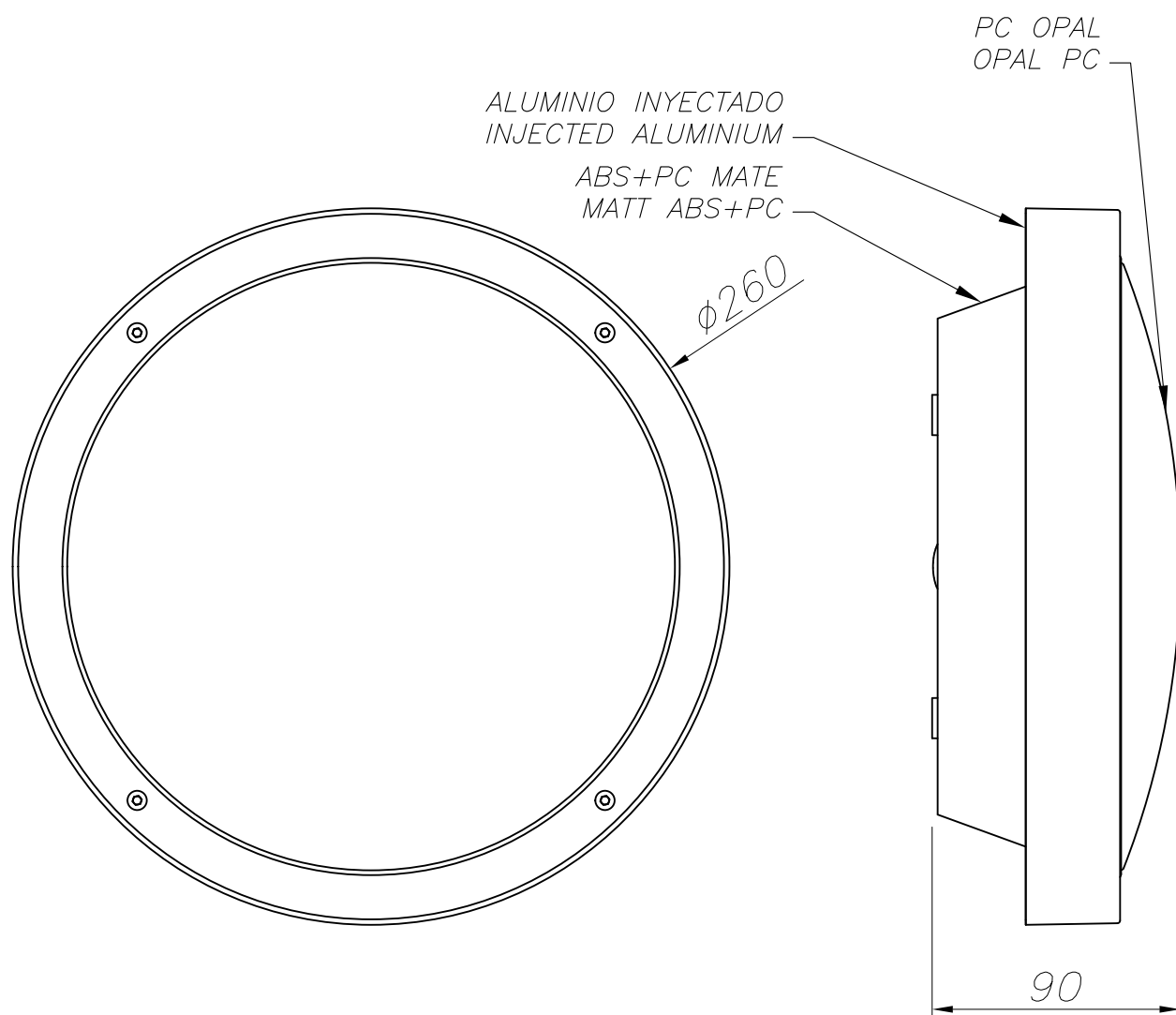
CIE Flux Codes

42 74 93 98 35

C.I.E.	6	LOR	34.88709 %
D DIN 5040	A31	ULOR	0.74604 %
F UTE	0.34 E + 0.01 T	DLOR	34.14105 %
B NBN	BZ 5	UFF	2.13844 %
RN	2.13844 %	DFF	97.86156 %
BLF	1.0	FFR	2.18517 %

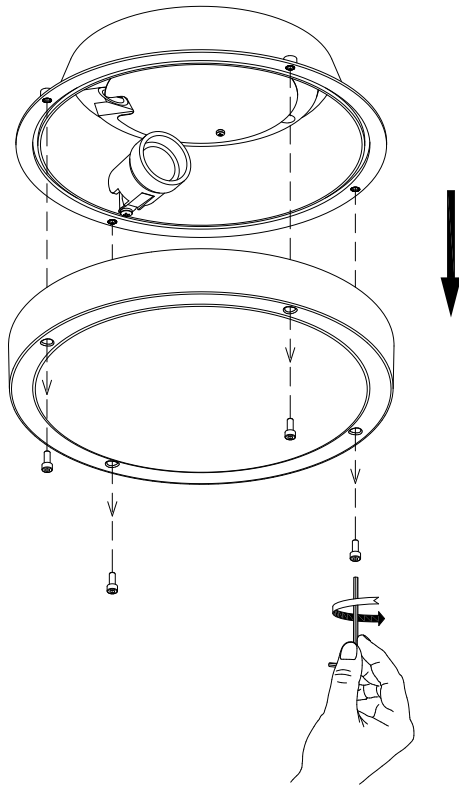


Zonal Flux				
Gamma °	Flux	Sum lm	Flux [%]	Sum [%]
0°	0.00	0.00	0.00%	0.00%
5°	2.26	2.26	0.65%	0.65%
10°	6.79	9.06	1.95%	2.60%
15°	11.31	20.36	3.24%	5.84%
20°	15.73	36.09	4.51%	10.35%
25°	19.93	56.03	5.71%	16.06%
30°	23.73	79.75	6.80%	22.86%
35°	26.92	106.67	7.72%	30.58%
40°	29.30	135.97	8.40%	38.97%
45°	30.55	166.52	8.76%	47.73%
50°	30.57	197.09	8.76%	56.49%
55°	29.36	226.44	8.41%	64.91%
60°	27.00	253.44	7.74%	72.65%
65°	23.95	277.40	6.87%	79.51%
70°	20.47	297.86	5.87%	85.38%
75°	16.60	314.46	4.76%	90.14%
80°	12.62	327.08	3.62%	93.75%
85°	8.79	335.87	2.52%	96.27%
90°	5.54	341.41	1.59%	97.86%
95°	3.06	344.47	0.88%	98.74%
100°	1.30	345.77	0.37%	99.11%
105°	0.42	346.19	0.12%	99.23%
110°	0.23	346.43	0.07%	99.30%
115°	0.24	346.67	0.07%	99.37%
120°	0.25	346.91	0.07%	99.44%
125°	0.25	347.16	0.07%	99.51%
130°	0.24	347.40	0.07%	99.58%
135°	0.24	347.64	0.07%	99.65%
140°	0.23	347.86	0.06%	99.71%
145°	0.21	348.07	0.06%	99.77%
150°	0.20	348.27	0.06%	99.83%
155°	0.17	348.44	0.05%	99.88%
160°	0.15	348.59	0.04%	99.92%
165°	0.12	348.71	0.03%	99.95%
170°	0.09	348.80	0.03%	99.98%
175°	0.05	348.85	0.02%	99.99%
180°	0.02	348.87	0.01%	100.00%

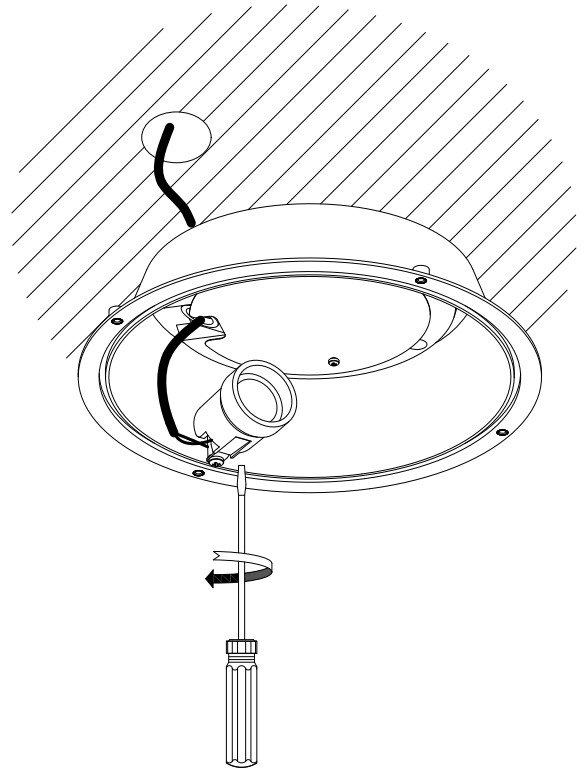


PLANTILLA DE INSTALACIÓN
INSTALLATION TEMPLATE

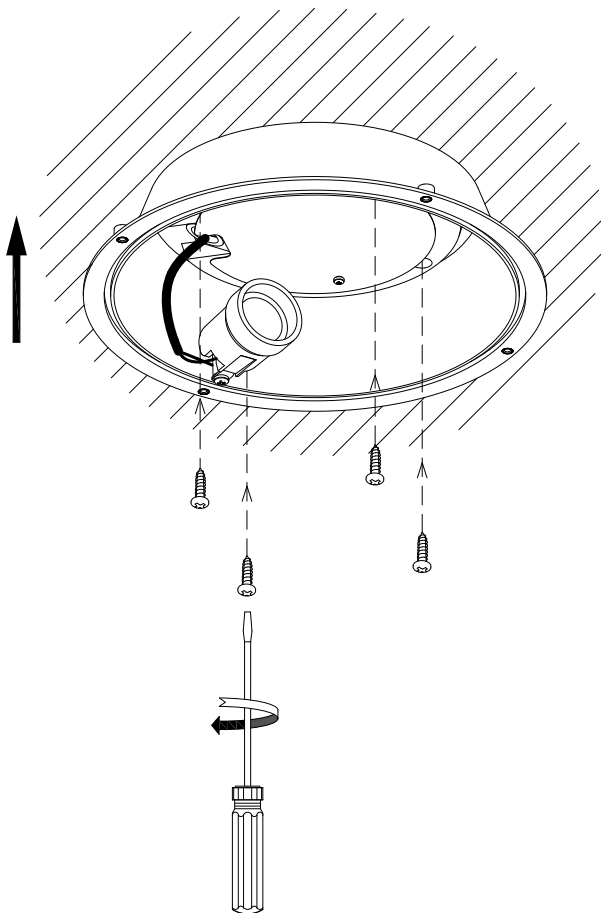
①



②



③



④

