

15-9493-34-CM

V0

Basic Ceiling Technopolymer ø300mm Ceiling fixture

Designer: Josep Patsí

**Description**

Wall light for outdoor use.

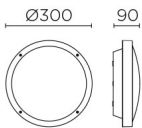
For frontal lighting. Suitable for installation in marine environments. Structure material: Polycarbonate + ABS. Structure finish: Grey. Diffuser material: Polycarbonate. Diffuser finish: Matt. UV protection. Warranty: 5 Years.

Finish

Grey
Matt

Material

Polycarbonate + ABS
Polycarbonate



IP65 IK10



ULTRA HORIZONTAL



12

TECHNICAL CHARACTERISTICS**Light source**

Light source: LED SUNPU
Output (W): 14.5W
Total power consumption (W): 17.4
Color temperature: LED neutral-white
4000K
CRI: 80
Photobiological risk: RG0
Real Lumen: 1208
Qty Leds: 39
Lm/Real W: 69
Life Time: 50.000h L70B30
Bin / Grup: Wg8 o Wg9
MacAdam steps: 3
UGR: 19.4

GEAR

Brand: EAGLERISE
Gear included: Yes, electronic
Voltage / Frequency: 100-240/50-60Hz
Power Factor: 0.90

Luminaire

Double cable exit: No
Seaside: Yes
Uv Protection: Yes
Warranty: 5 Years

Logistics

Energy Efficiency: LED A++
EAN Code: 8435381463274
Net Weight (Kg): 0.960
Weight in Kg (packaged): 1.280
Packing: 310 x 110 x 315
Masterbox: 12

The photograph may not match the reference exactly. Please read the product description to identify the finish.

Luminaire

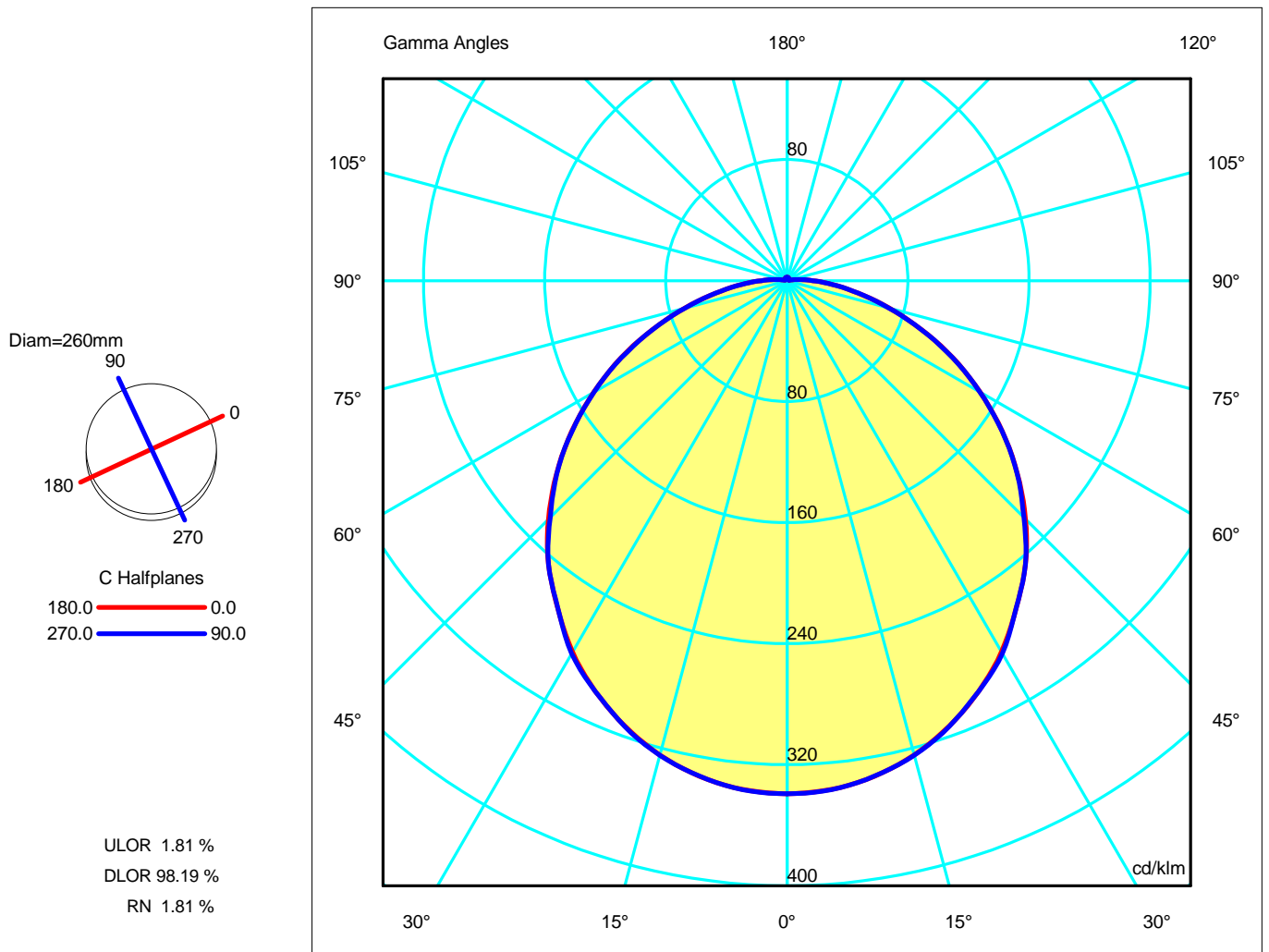
Code 15-9493-34-CM
 Name Plafon leds BASIC 14.5W

Measur.

Code 15-9493-34-CM
 Name Plafon leds BASIC 14.5W

Luminaire Flux	1207.57 lm	Luminaire Power	14.84 W	Efficacy	81.37 lm/W	Efficiency	100.00%
Lamps Flux	1207.57 lm	Maximum value	339.18 cd/klm	Position	C=0.00 G=0.00	CG Double Symmetrical	
Round Luminaire Round Luminous Area		Diam. Diam.	260 mm 220 mm	Height Height	90 mm 25 mm		
Horizontal Luminous Area Emitting area on Plane 0° Emitting area on Plane 90°		0.038013 m2 0.005500 m2 0.005500 m2		Emitting area on Plane 180° Emitting area on Plane 270° Glare area at 76°		0.005500 m2 0.005500 m2 0.014533 m2	
Coordinate system Date Measurement Distance		CG 10-04-2017 0.00		Symmetry Type Maximum Gamma Angle Measurement Flux		Double Symmetrical 180 1207.57 lm	
Operator Temperature Humidity Notes		Asselum T2 25.00 °C 60.00 %		Source Voltage [V] Source current [A] Photocell			

Line	Code	Luminaire Lamps Name	Flux [lm]	Pow. [W]	Q.ty
	15-9493-34-CM	15-9493-34-CM	1207.57	14.84	1
C.I.E. F UTE	46 77 94 98 100 0.98 E + 0.02 T	D DIN 5040 B NBN	A31 BZ 5		



Luminaire

Code 15-9493-34-CM
Name Plafon leds BASIC 14.5W

Measurment

Code 15-9493-34-CM
Name Plafon leds BASIC 14.5W

Luminaire Flux	1207.57 lm	Luminaire Power	14.84 W	Efficacy	81.37 lm/W	Efficiency	100.00%
Lamps Flux	1207.57 lm	Maximum value	339.18 cd/klm	Position	C=0.00 G=0.00	CG	Double Symmetrical

Luminous Intensity Table cd/klm Table 1/1

	C 0.00	C 15.00	C 30.00	C 45.00	C 60.00	C 75.00	C 90.00
G 0.0	339.18	339.18	339.18	339.18	339.18	339.18	339.18
G 5.0	337.56	337.55	337.65	337.60	337.53	337.49	337.74
G 10.0	332.64	332.57	332.99	332.55	332.57	332.67	332.52
G 15.0	324.52	324.35	324.52	324.52	324.54	324.37	324.74
G 20.0	313.30	313.35	314.05	313.28	313.94	313.47	313.47
G 25.0	299.49	299.88	299.54	300.64	299.48	300.68	299.47
G 30.0	283.34	283.43	283.56	282.69	283.46	282.71	284.51
G 35.0	264.09	264.95	264.64	265.50	264.29	265.56	263.94
G 40.0	245.05	244.08	245.00	243.04	244.99	243.17	245.00
G 45.0	222.82	222.60	221.66	222.77	221.52	222.31	221.26
G 50.0	198.82	198.45	198.77	197.11	198.60	196.15	198.50
G 55.0	173.66	173.29	172.27	173.41	172.42	173.24	173.31
G 60.0	147.25	147.30	147.05	146.99	146.99	145.16	147.12
G 65.0	121.20	121.17	120.32	120.96	120.89	120.86	120.70
G 70.0	94.64	94.71	94.47	94.47	94.22	94.67	94.37
G 75.0	69.84	69.66	70.75	69.51	70.76	69.53	69.54
G 80.0	47.90	47.83	48.03	47.86	47.99	49.19	47.94
G 85.0	30.39	30.20	31.03	30.34	30.96	30.29	30.30
G 90.0	16.91	17.18	16.94	17.72	16.93	17.91	17.02
G 95.0	7.63	7.71	7.95	7.55	7.90	7.54	8.22
G100.0	2.39	2.65	2.42	2.67	2.35	2.66	2.41
G105.0	1.12	1.13	1.12	1.13	1.11	1.12	1.11
G110.0	1.20	1.22	1.22	1.22	1.21	1.20	1.21
G115.0	1.29	1.31	1.31	1.30	1.30	1.30	1.28
G120.0	1.42	1.41	1.41	1.40	1.40	1.40	1.42
G125.0	1.52	1.49	1.52	1.52	1.51	1.50	1.51
G130.0	1.59	1.58	1.60	1.61	1.59	1.57	1.59
G135.0	1.66	1.68	1.68	1.69	1.66	1.67	1.68
G140.0	1.75	1.76	1.76	1.76	1.75	1.76	1.76
G145.0	1.83	1.84	1.85	1.84	1.84	1.84	1.84
G150.0	1.93	1.93	1.93	1.92	1.91	1.92	1.91
G155.0	1.98	2.00	2.01	2.00	1.99	1.99	1.99
G160.0	2.07	2.08	2.06	2.08	2.07	2.06	2.07
G165.0	2.13	2.13	2.14	2.13	2.13	2.12	2.14
G170.0	2.19	2.19	2.18	2.18	2.19	2.20	2.18
G175.0	2.25	2.24	2.25	2.22	2.23	2.24	2.24
G180.0	2.27	2.27	2.27	2.27	2.27	2.27	2.27

Luminaire

Code 15-9493-34-CM
 Name Plafon leds BASIC 14.5W

Measur.

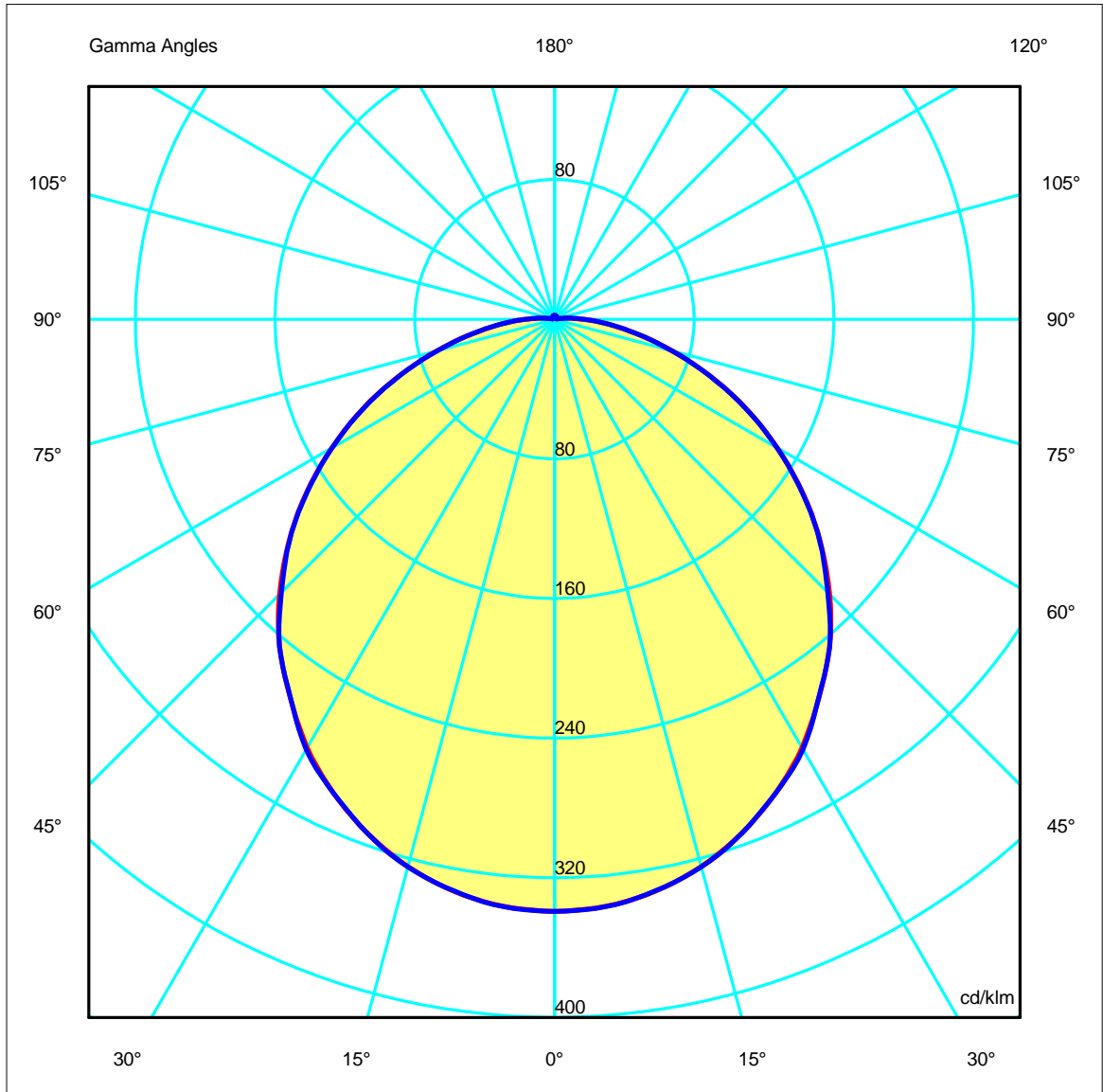
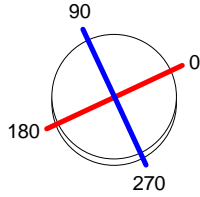
Code 15-9493-34-CM
 Name Plafon leds BASIC 14.5W

Luminaire Flux	1207.57 lm	Luminaire Power	14.84 W	Efficacy	81.37 lm/W	Efficiency	100.00%
Lamps Flux	1207.57 lm	Maximum value	339.18 cd/klm	Position	C=0.00 G=0.00	CG	Double Symmetrical

Diam=260mm

C Halfplanes

180.0 ————— 0.0
 270.0 ————— 90.0



Luminaire

Code 15-9493-34-CM
 Name Plafon leds BASIC 14.5W

Measur.

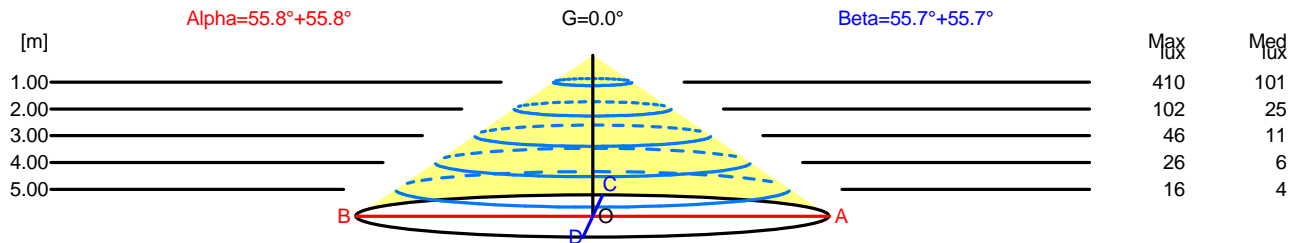
Code 15-9493-34-CM
 Name Plafon leds BASIC 14.5W

Luminaire Flux	1207.57 lm	Luminaire Power	14.84 W	Efficacy	81.37 lm/W	Efficiency	100.00%
Lamps Flux	1207.57 lm	Maximum value	339.18 cd/klm	Position	C=0.00 G=0.00	CG	Double Symmetrical

Width at 50.00 % of Max Intensity

H[m]	1.00	2.00	3.00	4.00	5.00	H[m]	1.00	2.00	3.00	4.00	5.00
OA	1.47	2.94	4.41	5.88	7.35	OC	1.47	2.93	4.40	5.87	7.33
OB	1.47	2.94	4.41	5.88	7.35	OD	1.47	2.93	4.40	5.87	7.33

	Luminous Intensities [cd/klm]									
	0	5	15	25	35	45	55	65	75	85
OA	409.59	407.62	391.88	361.66	318.91	269.07	209.71	146.35	84.34	36.70
OB	409.59	407.62	391.88	361.66	318.91	269.07	209.71	146.35	84.34	36.70
OC	409.59	407.85	392.15	361.64	318.73	267.18	209.28	145.76	83.98	36.59
OD	409.59	407.85	392.15	361.64	318.73	267.18	209.28	145.76	83.98	36.59



H[m]	D[m]	Max lux	Med lux	Alpha=55.8°+55.8°	G=0.0	
1.00	2.94	410	101			
2.00	5.88	102	25			
3.00	8.82	46	11			
4.00	11.76	26	6			
5.00	14.70	16	4			

H[m]	D[m]	Max lux	Med lux	Beta=55.7°+55.7°	G=0.0	
1.00	2.93	410	101			
2.00	5.87	102	25			
3.00	8.80	46	11			
4.00	11.73	26	6			
5.00	14.67	16	4			

Luminaire

Code 15-9493-34-CM
Name Plafon leds BASIC 14.5W

Measurement

Code 15-9493-34-CM
Name Plafon leds BASIC 14.5W

Luminaire Flux	1207.57 lm	Luminaire Power	14.84 W	Efficacy	81.37 lm/W	Efficiency	100.00%
Lamps Flux	1207.57 lm	Maximum value	339.18 cd/klm	Position	C=0.00 G=0.00	CG	Double Symmetrical

UGR
S = 0.250

Reflectancies										
Ceiling/Cavity	0.7	0.7	0.5	0.5	0.3	0.7	0.7	0.5	0.5	0.3
Walls	0.5	0.3	0.5	0.3	0.3	0.5	0.3	0.5	0.3	0.3
WorkingPlane	0.2	0.2	0.2	0.2	0.2	0.2	0.2	0.2	0.2	0.2
RoomDimensions	ViewedCrosswise					ViewedEndwise				
x=2H y=2H	19.5	20.8	19.8	21.1	21.3	19.4	20.7	19.7	21.0	21.3
x=2H y=3H	21.0	22.2	21.3	22.5	22.8	21.0	22.2	21.3	22.5	22.8
x=2H y=4H	21.6	22.7	22.0	23.1	23.4	21.6	22.7	22.0	23.1	23.4
x=2H y=6H	22.1	23.2	22.5	23.5	23.9	22.1	23.2	22.5	23.5	23.9
x=2H y=8H	22.3	23.3	22.7	23.7	24.0	22.3	23.3	22.7	23.7	24.0
x=2H y=12H	22.4	23.4	22.9	23.8	24.2	22.4	23.4	22.9	23.8	24.2
x=4H y=2H	20.2	21.3	20.6	21.6	22.0	20.2	21.3	20.5	21.6	22.0
x=4H y=3H	21.9	22.9	22.3	23.2	23.6	21.9	22.9	22.3	23.2	23.6
x=4H y=4H	22.7	23.5	23.1	23.9	24.3	22.6	23.5	23.1	23.9	24.3
x=4H y=6H	23.3	24.0	23.7	24.5	24.9	23.3	24.0	23.7	24.5	24.9
x=4H y=8H	23.5	24.2	24.0	24.6	25.1	23.5	24.2	24.0	24.7	25.1
x=4H y=12H	23.7	24.4	24.2	24.8	25.3	23.7	24.4	24.2	24.8	25.3
x=8H y=4H	23.0	23.7	23.4	24.1	24.6	23.0	23.7	23.4	24.1	24.6
x=8H y=6H	23.8	24.3	24.3	24.8	25.3	23.8	24.3	24.3	24.8	25.3
x=8H y=8H	24.1	24.6	24.6	25.1	25.6	24.1	24.6	24.6	25.1	25.6
x=8H y=12H	24.4	24.9	24.9	25.3	25.9	24.4	24.9	24.9	25.4	25.9
x=12H y=4H	23.0	23.7	23.5	24.1	24.6	23.0	23.7	23.5	24.1	24.6
x=12H y=6H	23.8	24.4	24.4	24.8	25.4	23.8	24.4	24.4	24.8	25.4
x=12H y=8H	24.2	24.7	24.8	25.2	25.7	24.2	24.7	24.8	25.2	25.7

Luminaire

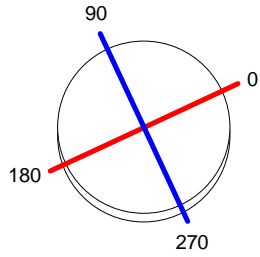
Code 15-9493-34-CM
 Name Plafon leds BASIC 14.5W

Measur.

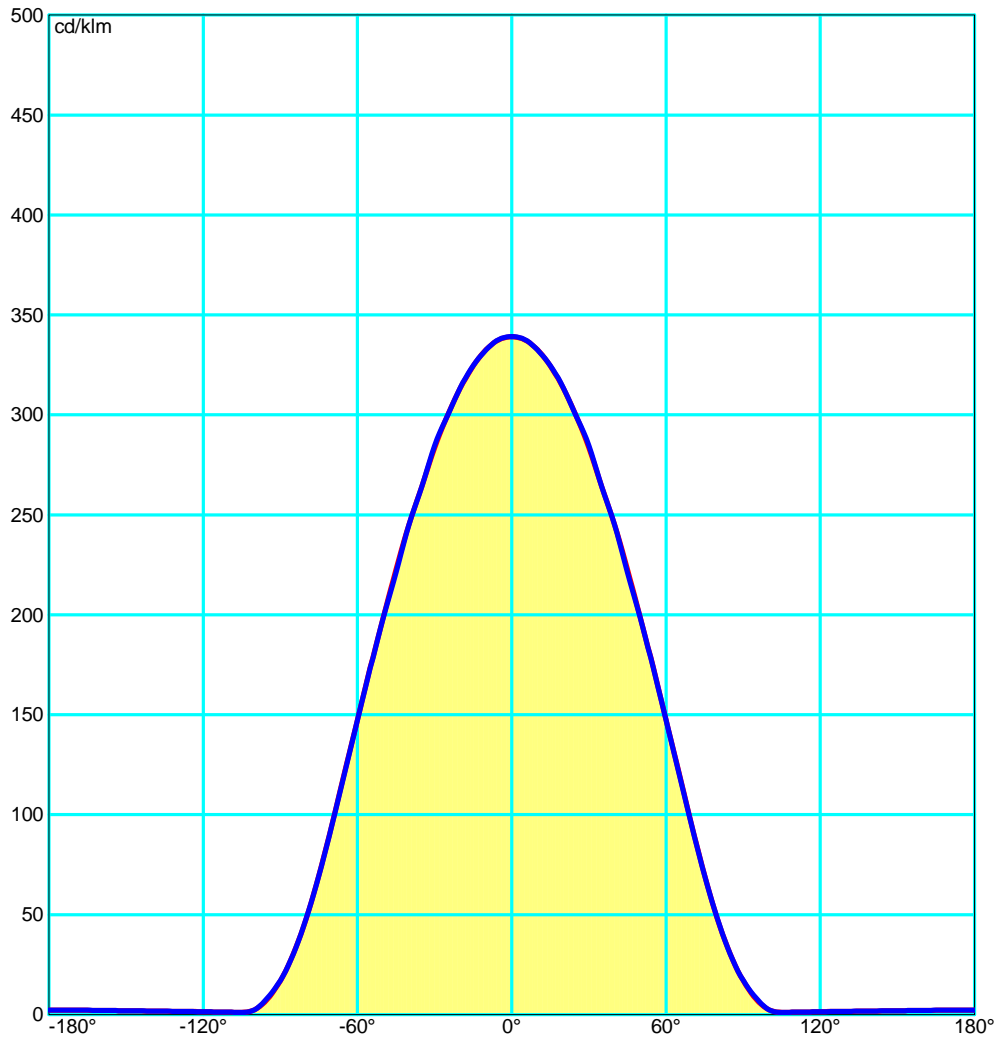
Code 15-9493-34-CM
 Name Plafon leds BASIC 14.5W

Luminaire Flux	1207.57 lm	Luminaire Power	14.84 W	Efficacy	81.37 lm/W	Efficiency	100.00%
Lamps Flux	1207.57 lm	Maximum value	339.18 cd/klm	Position	C=0.00 G=0.00	CG	Double Symmetrical

Diam=260mm



C Halfplanes



Luminaire

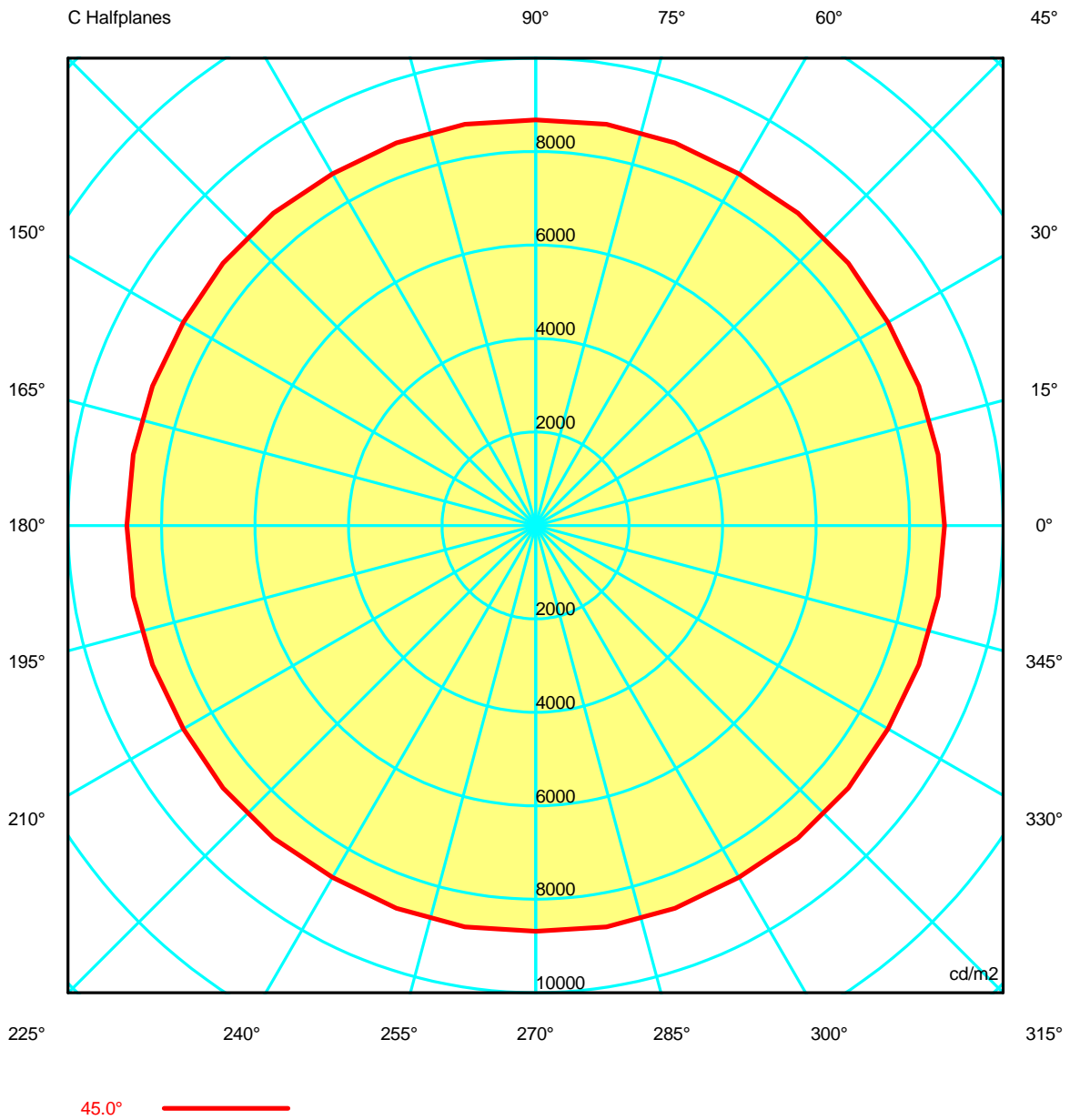
Code 15-9493-34-CM
 Name Plafon leds BASIC 14.5W

Measur.

Code 15-9493-34-CM
 Name Plafon leds BASIC 14.5W

Luminaire Flux	1207.57 lm	Luminaire Power	14.84 W	Efficacy	81.37 lm/W	Efficiency	100.00%
Lamps Flux	1207.57 lm	Maximum value	339.18 cd/klm	Position	C=0.00 G=0.00	CG	Double Symmetrical

Luminance



Luminaire

Code 15-9493-34-CM
Name Plafon leds BASIC 14.5W

Measurerm.

Code 15-9493-34-CM
Name Plafon leds BASIC 14.5W

Luminaire Flux	1207.57 lm	Luminaire Power	14.84 W	Efficacy	81.37 lm/W	Efficiency	100.00%
Lamps Flux	1207.57 lm	Maximum value	339.18 cd/klm	Position	C=0.00 G=0.00	CG	Double Symmetrical

Luminance cd/m2 Table 1/3

	C 0.00	C 10.00	C 20.00	C 30.00	C 40.00	C 50.00	C 60.00	C 70.00	C 80.00	C 90.00	C 100.00	C 110.00	C 120.00
G 0.0	10774.96	10774.96	10774.96	10774.96	10774.96	10774.96	10774.96	10774.96	10774.96	10774.96	10774.96	10774.96	10774.96
G 5.0	10629.69	10629.16	10630.56	10632.57	10631.93	10630.40	10628.89	10627.23	10629.31	10635.54	10629.31	10627.23	10628.89
G 10.0	10463.05	10459.20	10465.88	10474.19	10465.51	10460.50	10461.03	10463.80	10463.03	10459.28	10463.03	10463.80	10461.03
G 15.0	10274.50	10269.89	10270.03	10274.34	10276.69	10273.17	10269.58	10290.45	10298.42	10281.51	10298.42	10290.45	10269.58
G 20.0	10061.52	10062.62	10072.74	10085.79	10067.43	10065.22	10082.16	10072.08	10067.03	10067.01	10067.03	10072.08	10082.16
G 25.0	9834.03	9847.02	9840.72	9835.65	9865.21	9861.16	9833.81	9860.22	9870.40	9833.51	9870.40	9860.22	9833.81
G 30.0	9592.07	9594.12	9599.65	9599.55	9575.68	9577.62	9596.14	9576.46	9580.63	9631.64	9580.63	9576.46	9596.14
G 35.0	9299.51	9325.65	9325.35	9318.85	9344.83	9335.82	9306.39	9337.72	9345.31	9294.34	9345.31	9337.72	9306.39
G 40.0	9062.00	9026.76	9040.98	9059.95	9002.63	9006.49	9059.80	9015.24	8996.50	9060.04	8996.50	9015.24	9059.80
G 45.0	8745.05	8739.22	8719.71	8699.65	8733.75	8731.00	8694.03	8713.85	8721.42	8683.74	8721.42	8713.85	8694.03
G 50.0	8380.70	8363.76	8369.51	8378.54	8321.27	8328.90	8371.51	8298.94	8275.55	8367.35	8275.55	8298.94	8371.51
G 55.0	7971.18	7959.73	7933.07	7907.38	7946.34	7949.72	7914.12	7935.17	7952.87	7954.86	7952.87	7935.17	7914.12
G 60.0	7480.57	7483.76	7480.12	7470.43	7468.59	7467.58	7467.39	7395.87	7386.12	7473.99	7386.12	7395.87	7467.39
G 65.0	6952.68	6951.83	6933.11	6902.42	6924.99	6937.82	6935.00	6934.10	6931.89	6924.34	6931.89	6934.10	6935.00
G 70.0	6289.79	6295.48	6289.16	6278.48	6280.23	6273.04	6261.72	6282.78	6291.87	6272.10	6291.87	6282.78	6261.72
G 75.0	5566.60	5540.23	5588.08	5638.79	5563.29	5564.68	5640.03	5574.58	5525.26	5542.82	5525.26	5574.58	5640.03
G 80.0	4813.00	4804.74	4812.71	4826.48	4818.64	4800.59	4822.72	4916.38	4927.79	4816.98	4927.79	4916.38	4822.72
G 85.0	4173.78	4135.16	4190.54	4261.61	4192.35	4185.55	4251.60	4190.32	4144.47	4161.24	4144.47	4190.32	4251.60
G 90.0	3712.04	3771.80	3754.19	3719.91	3858.71	3838.82	3717.09	3862.67	3920.44	3737.71	3920.44	3862.67	3717.09

Luminaire

Code 15-9493-34-CM
Name Plafon leds BASIC 14.5W

Measurerm.

Code 15-9493-34-CM
Name Plafon leds BASIC 14.5W

Luminaire Flux	1207.57 lm	Luminaire Power	14.84 W	Efficacy	81.37 lm/W	Efficiency	100.00%
Lamps Flux	1207.57 lm	Maximum value	339.18 cd/klm	Position	C=0.00 G=0.00	CG	Double Symmetrical

Luminance cd/m2 Table 2/3

	C 130.00	C 140.00	C 150.00	C 160.00	C 170.00	C 180.00	C 190.00	C 200.00	C 210.00	C 220.00	C 230.00	C 240.00	C 250.00
G 0.0	10774.96	10774.96	10774.96	10774.96	10774.96	10774.96	10774.96	10774.96	10774.96	10774.96	10774.96	10774.96	10774.96
G 5.0	10630.40	10631.93	10632.57	10630.56	10629.16	10629.69	10629.16	10630.56	10632.57	10631.93	10630.40	10628.89	10627.23
G 10.0	10460.50	10465.51	10474.19	10465.88	10459.20	10463.05	10459.20	10465.88	10474.19	10465.51	10460.50	10461.03	10463.80
G 15.0	10273.17	10276.69	10274.34	10270.03	10269.89	10274.50	10269.89	10270.03	10274.34	10276.69	10273.17	10269.58	10290.45
G 20.0	10065.22	10067.43	10085.79	10072.74	10062.62	10061.52	10062.62	10072.74	10085.79	10067.43	10065.22	10082.16	10072.08
G 25.0	9861.16	9865.21	9835.65	9840.72	9847.02	9834.03	9847.02	9840.72	9835.65	9865.21	9861.16	9833.81	9860.22
G 30.0	9577.62	9575.68	9599.55	9599.65	9594.12	9592.07	9594.12	9599.65	9599.55	9575.68	9577.62	9596.14	9576.46
G 35.0	9335.82	9344.83	9318.85	9325.35	9325.65	9299.51	9325.65	9325.35	9318.85	9344.83	9335.82	9306.39	9337.72
G 40.0	9006.49	9002.63	9059.95	9040.98	9026.76	9062.00	9026.76	9040.98	9059.95	9002.63	9006.49	9059.80	9015.24
G 45.0	8731.00	8733.75	8699.65	8719.71	8739.22	8745.05	8739.22	8719.71	8699.65	8733.75	8731.00	8694.03	8713.85
G 50.0	8328.90	8321.27	8378.54	8369.51	8363.76	8380.70	8363.76	8369.51	8378.54	8321.27	8328.90	8371.51	8298.94
G 55.0	7949.72	7946.34	7907.38	7933.07	7959.73	7971.18	7959.73	7933.07	7907.38	7946.34	7949.72	7914.12	7935.17
G 60.0	7467.58	7468.59	7470.43	7480.12	7483.76	7480.57	7483.76	7480.12	7470.43	7468.59	7467.58	7467.39	7395.87
G 65.0	6937.82	6924.99	6902.42	6933.11	6951.83	6952.68	6951.83	6933.11	6902.42	6924.99	6937.82	6935.00	6934.10
G 70.0	6273.04	6280.23	6278.48	6289.16	6295.48	6289.79	6295.48	6289.16	6278.48	6280.23	6273.04	6261.72	6282.78
G 75.0	5564.68	5563.29	5638.79	5588.08	5540.23	5566.60	5540.23	5588.08	5638.79	5563.29	5564.68	5640.03	5574.58
G 80.0	4800.59	4818.64	4826.48	4812.71	4804.74	4813.00	4804.74	4812.71	4826.48	4818.64	4800.59	4822.72	4916.38
G 85.0	4185.55	4192.35	4261.61	4190.54	4135.16	4173.78	4135.16	4190.54	4261.61	4192.35	4185.55	4251.60	4190.32
G 90.0	3838.82	3858.71	3719.91	3754.19	3771.80	3712.04	3771.80	3754.19	3719.91	3858.71	3838.82	3717.09	3862.67

Luminaire

Code 15-9493-34-CM
Name Plafon leds BASIC 14.5W

Measur.

Code 15-9493-34-CM
Name Plafon leds BASIC 14.5W

Luminaire Flux	1207.57 lm	Luminaire Power	14.84 W	Efficacy	81.37 lm/W	Efficiency	100.00%
Lamps Flux	1207.57 lm	Maximum value	339.18 cd/klm	Position	C=0.00 G=0.00	CG	Double Symmetrical

Luminance cd/m2 Table 3/3

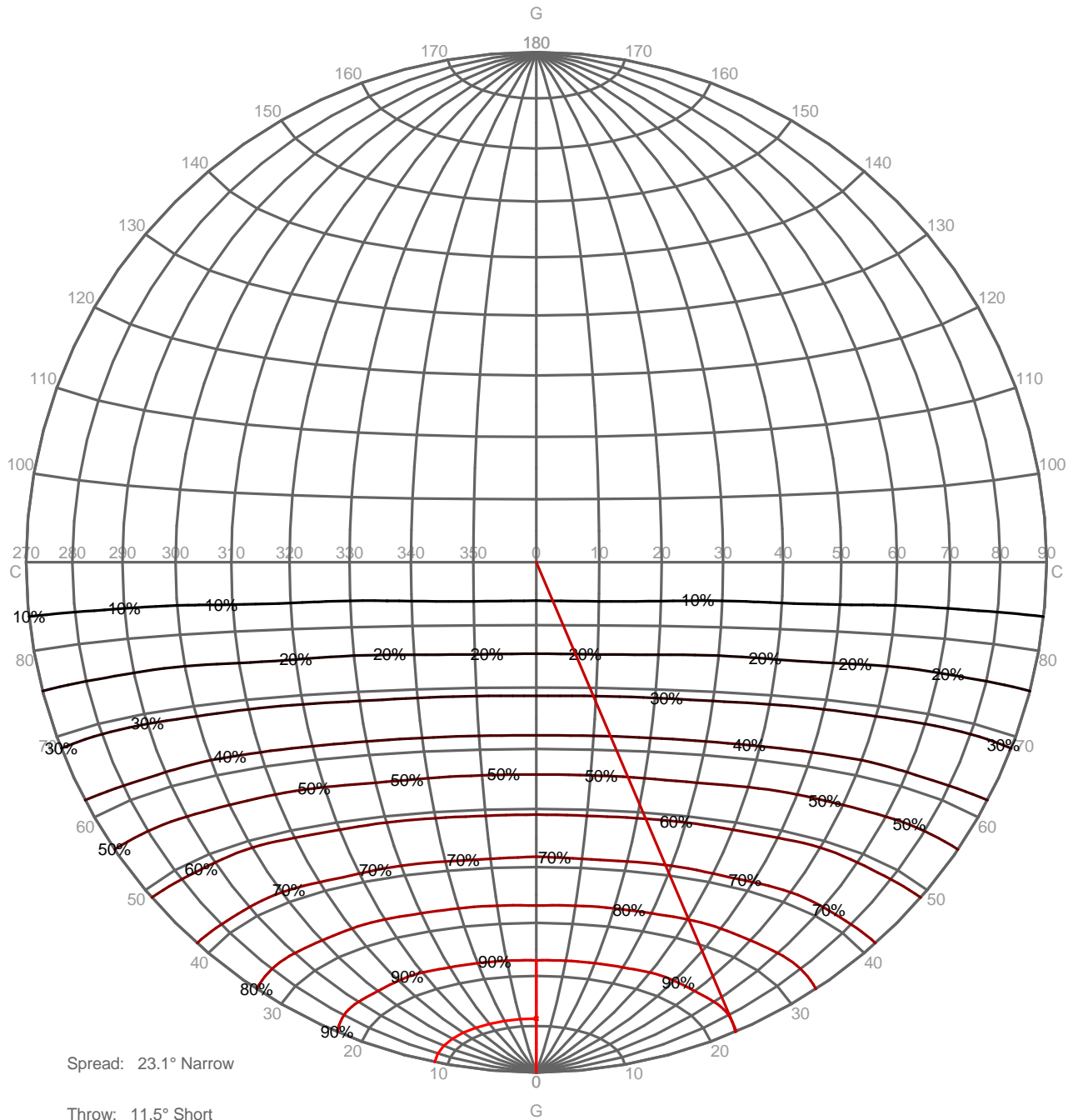
	C 260.00	C 270.00	C 280.00	C 290.00	C 300.00	C 310.00	C 320.00	C 330.00	C 340.00	C 350.00
G 0.0	10774.96	10774.96	10774.96	10774.96	10774.96	10774.96	10774.96	10774.96	10774.96	10774.96
G 5.0	10629.31	10635.54	10629.31	10627.23	10628.89	10630.40	10631.93	10632.57	10630.56	10629.16
G 10.0	10463.03	10459.28	10463.03	10463.80	10461.03	10460.50	10465.51	10474.19	10465.88	10459.20
G 15.0	10298.42	10281.51	10298.42	10290.45	10269.58	10273.17	10276.69	10274.34	10270.03	10269.89
G 20.0	10067.03	10067.01	10067.03	10072.08	10082.16	10065.22	10067.43	10085.79	10072.74	10062.62
G 25.0	9870.40	9833.51	9870.40	9860.22	9833.81	9861.16	9865.21	9835.65	9840.72	9847.02
G 30.0	9580.63	9631.64	9580.63	9576.46	9596.14	9577.62	9575.68	9599.55	9599.65	9594.12
G 35.0	9345.31	9294.34	9345.31	9337.72	9306.39	9335.82	9344.83	9318.85	9325.35	9325.65
G 40.0	8996.50	9060.04	8996.50	9015.24	9059.80	9006.49	9002.63	9059.95	9040.98	9026.76
G 45.0	8721.42	8683.74	8721.42	8713.85	8694.03	8731.00	8733.75	8699.65	8719.71	8739.22
G 50.0	8275.55	8367.35	8275.55	8298.94	8371.51	8328.90	8321.27	8378.54	8369.51	8363.76
G 55.0	7952.87	7954.86	7952.87	7935.17	7914.12	7949.72	7946.34	7907.38	7933.07	7959.73
G 60.0	7386.12	7473.99	7386.12	7395.87	7467.39	7467.58	7468.59	7470.43	7480.12	7483.76
G 65.0	6931.89	6924.34	6931.89	6934.10	6935.00	6937.82	6924.99	6902.42	6933.11	6951.83
G 70.0	6291.87	6272.10	6291.87	6282.78	6261.72	6273.04	6280.23	6278.48	6289.16	6295.48
G 75.0	5525.26	5542.82	5525.26	5574.58	5640.03	5564.68	5563.29	5638.79	5588.08	5540.23
G 80.0	4927.79	4816.98	4927.79	4916.38	4822.72	4800.59	4818.64	4826.48	4812.71	4804.74
G 85.0	4144.47	4161.24	4144.47	4190.32	4251.60	4185.55	4192.35	4261.61	4190.54	4135.16
G 90.0	3920.44	3737.71	3920.44	3862.67	3717.09	3838.82	3858.71	3719.91	3754.19	3771.80

Luminaire
 Code 15-9493-34-CM
 Name Plafon leds BASIC 14.5W
Measur.
 Code 15-9493-34-CM
 Name Plafon leds BASIC 14.5W

Luminaire Flux	1207.57 lm	Luminaire Power	14.84 W	Efficacy	81.37 lm/W	Efficiency	100.00%
Lamps Flux	1207.57 lm	Maximum value	339.18 cd/klm	Position	C=0.00 G=0.00	CG	Double Symmetrical

PERCENTAGE ISOCANDLES

Projection: Equal Area SLI 6.4 Tight Tilting Angle:0°



Luminaire

Code 15-9493-34-CM
 Name Plafon leds BASIC 14.5W

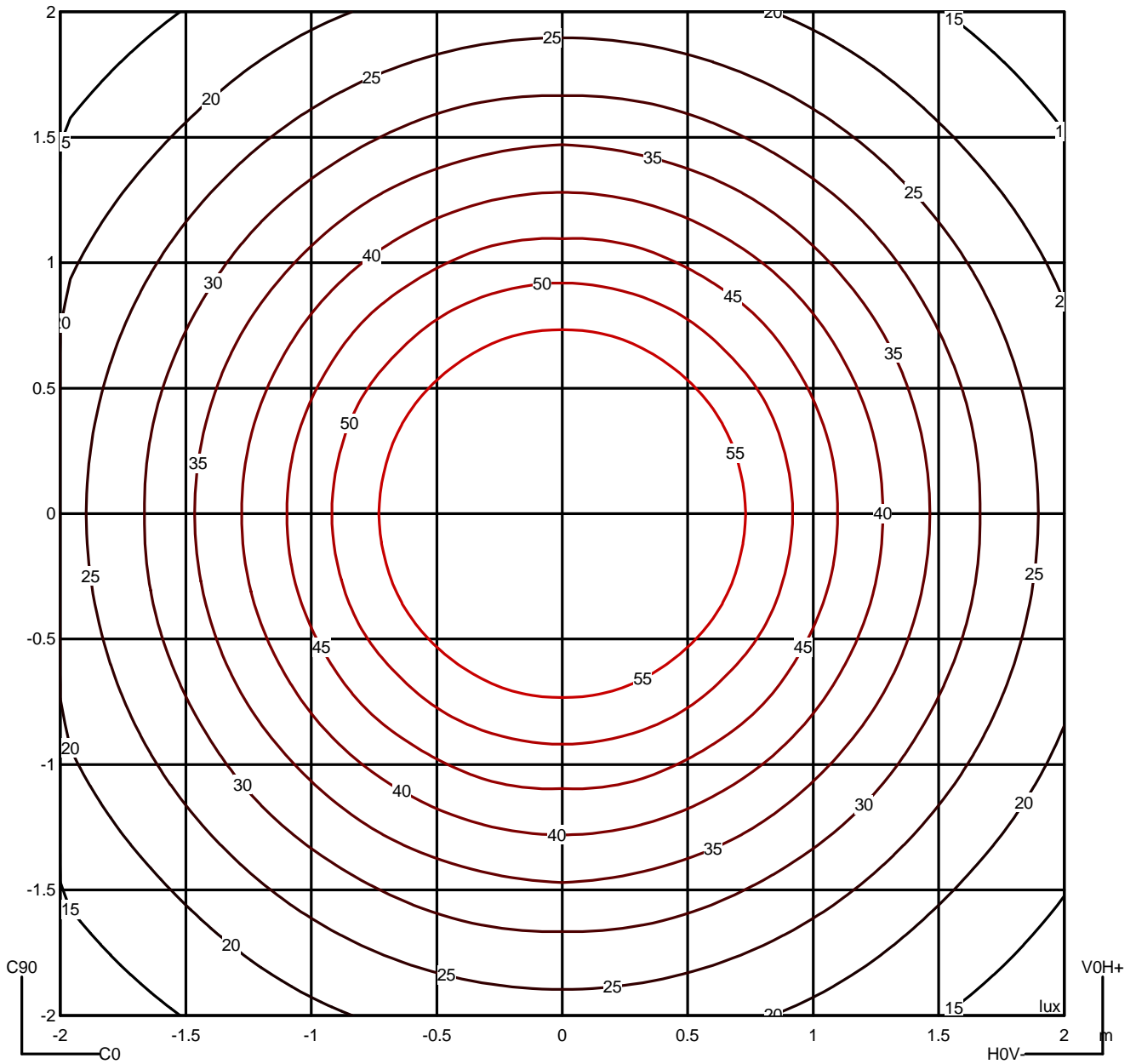
Measur.

Code 15-9493-34-CM
 Name Plafon leds BASIC 14.5W

Luminaire Flux	1207.57 lm	Luminaire Power	14.84 W	Efficacy	81.37 lm/W	Efficiency	100.00%
Lamps Flux	1207.57 lm	Maximum value	339.18 cd/klm	Position	C=0.00 G=0.00	CG	Double Symmetrical

Isolux (Floor)

Luminaire position X=0.00m Y=0.00m Z=2.50m



Luminaire

Code 15-9493-34-CM
 Name Plafon leds BASIC 14.5W

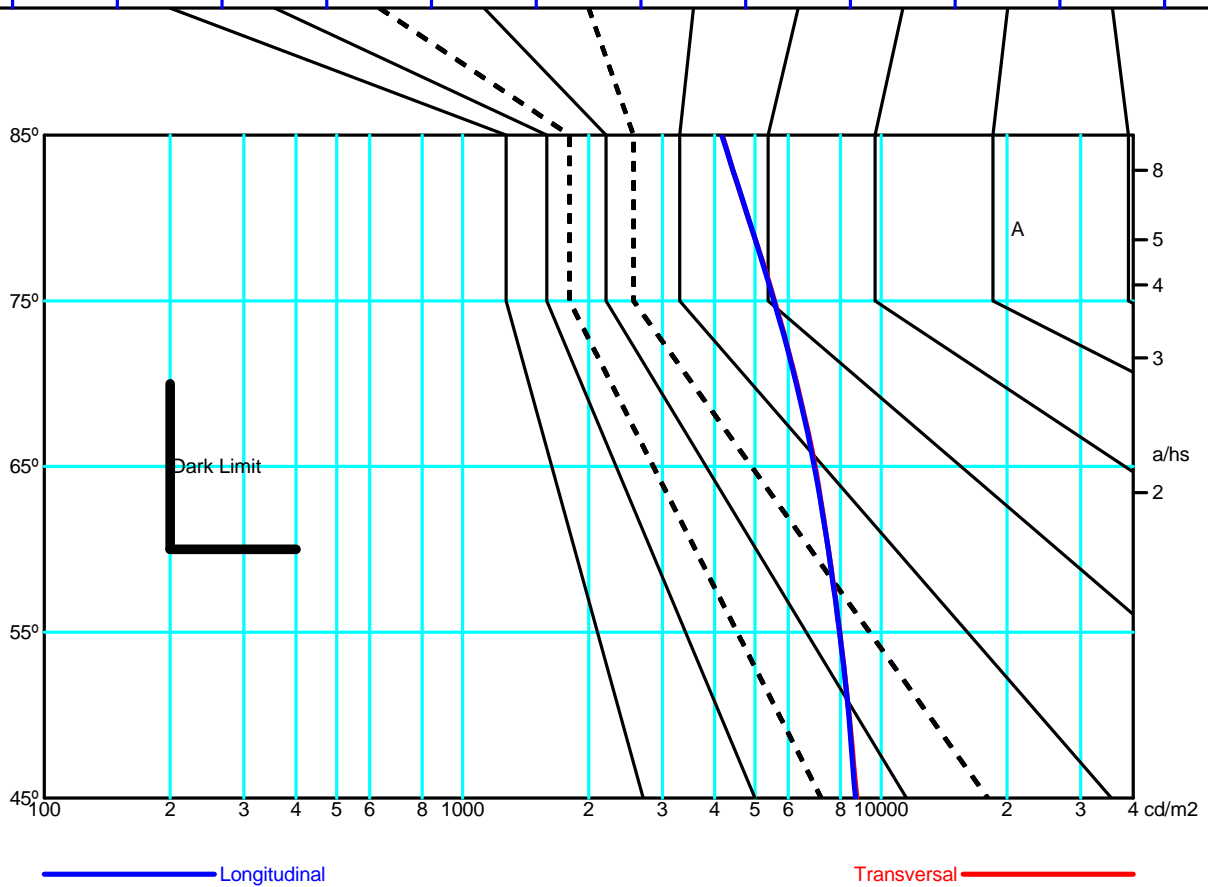
Measurment

Code 15-9493-34-CM
 Name Plafon leds BASIC 14.5W

Luminaire Flux	1207.57 lm	Luminaire Power	14.84 W	Efficacy	81.37 lm/W	Efficiency	100.00%
Lamps Flux	1207.57 lm	Maximum value	339.18 cd/klm	Position	C=0.00 G=0.00	CG	Double Symmetrical

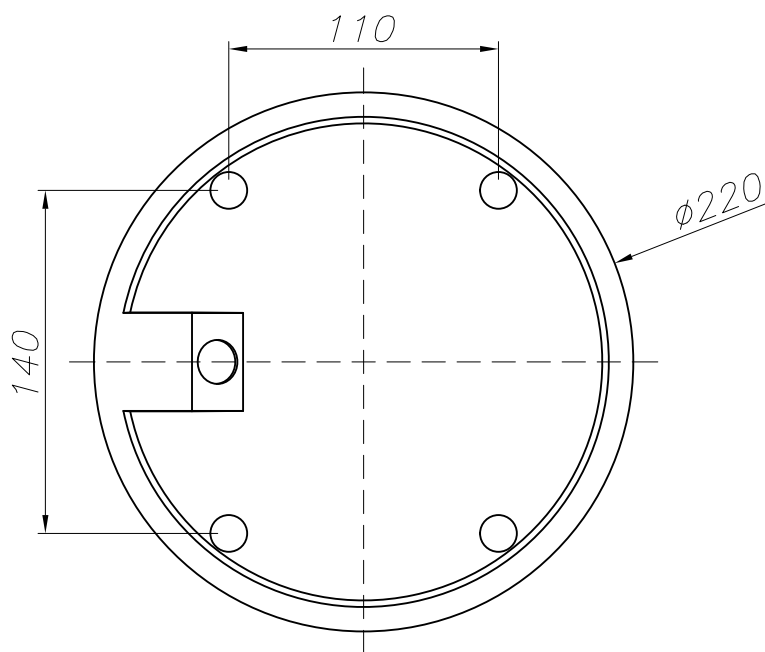
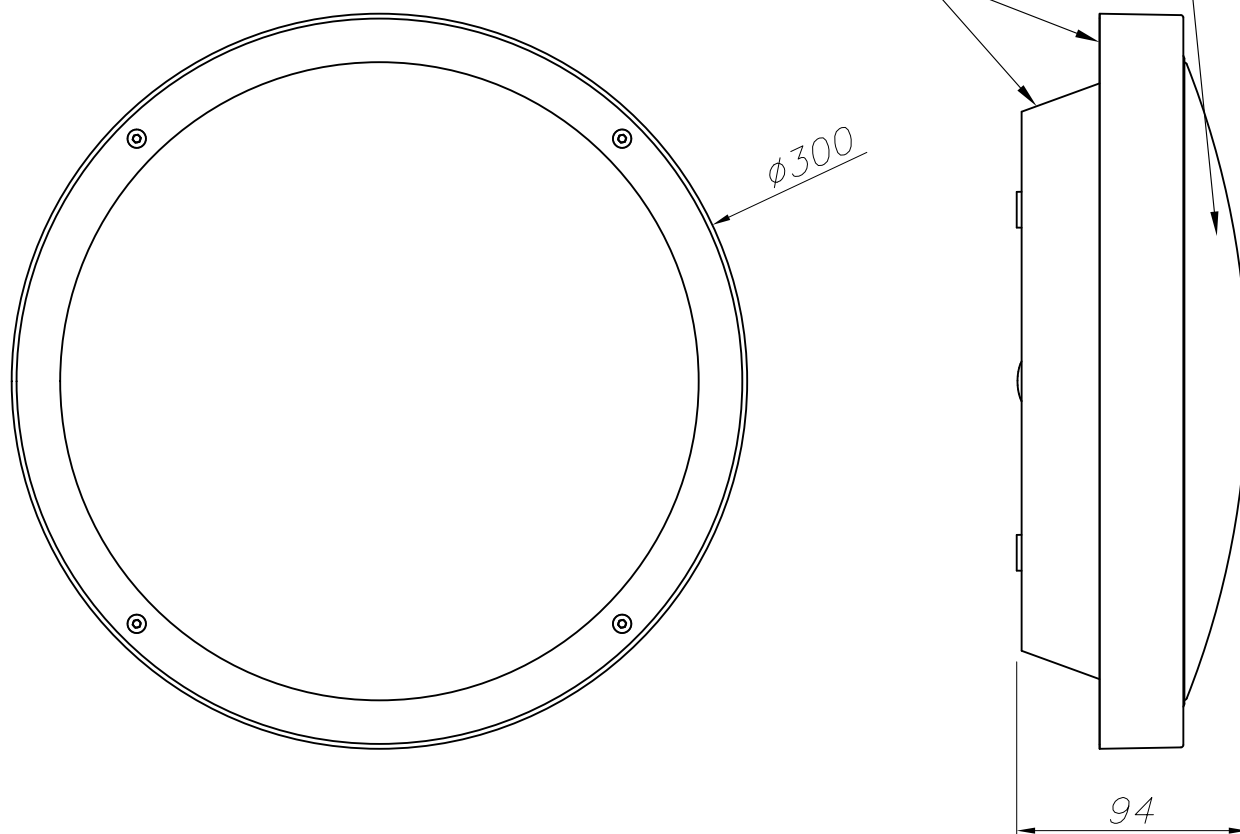
Average Luminance [cd/m ²]										
	45°	50°	55°	60°	65°	70°	75°	80°	85°	
0.0°	8745	8381	7971	7481	6953	6290	5567	4813	4174	---
90.0°	8684	8367	7955	7474	6924	6272	5543	4817	4161	---

Flush mounted or longitudinal view												
		Illumination(Ix)										
A	A	2000	1000	750	500		<300					1.15
B	1		2000	1500	1000	750	500	<300				1.5
C					2000		1000	500	<300			1.85
D	2						2000	1000	500	<300		2.2
E	3							2000	1000	500	<300	2.55



PC SEMITRANSARENTE (70% BLANCO) MATE
SEMISTRANSARENT (70% WHITE) MATT PC

PC+ABS MATE
MATT PC+ABS



PLANTILLA DE INSTALACIÓN
INSTALLATION TEMPLATE

