

Afrodita 90mm Ceiling fixture

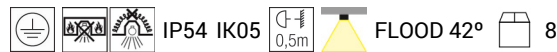
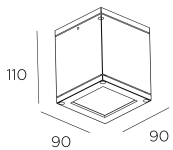
Designer: LEDS C4 Team



Description

Ceiling fixture IP54 Afroditia 90mm GU10 35W Urban grey 275lm

	Finish	Material
Structure	Urban grey	Aluminium
Diffuser	Transparent	Glass



TECHNICAL CHARACTERISTICS

Light source

Lampholder: 1 x GU10
 Light source power (W): MAX 35W
 Luminaire total power (W): 35W
 Lamp maximum dimension: 75/NA mm
 Real Lumen: 275
 Quantity: 1
 Lm/Real W: 8
 Recommended lamp: GU10

GEAR

Voltage / Frequency:
 100-240V/50-60Hz

Luminaire

Double cable exit: No
 Drainage: No
 Seaside: No
 Uv Protection: Yes
 Warranty: 5 Years

Logistics

Energy Efficiency: NO BULB
 EAN Code: 8435111082218
 Net Weight (Kg): 0.42
 Weight in Kg (packaged): 0.52
 Packing: 100 x 100 x 130
 Masterbox: 8

UGR	
S=0.250	
Ceiling/Cavity	0.7
Walls	0.5
Working Plane	0.2
Room dimensions	X=4H, Y=8H
UGR Crosswise	10.1
UGR Endwise	9.7

The photograph may not match the reference exactly. Please read the product description to identify the finish.

LEDS C4[®]

Luminaire

Code 15-9480-Z5-37
Name Plafón AFRODITA 35W GU10

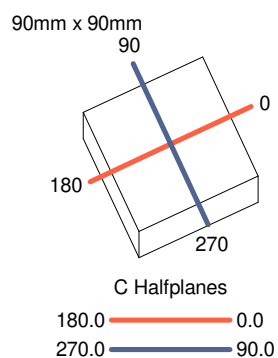
Measurum.

Code 15-9480-Z5-37
Name Plafón AFRODITA 35W GU10

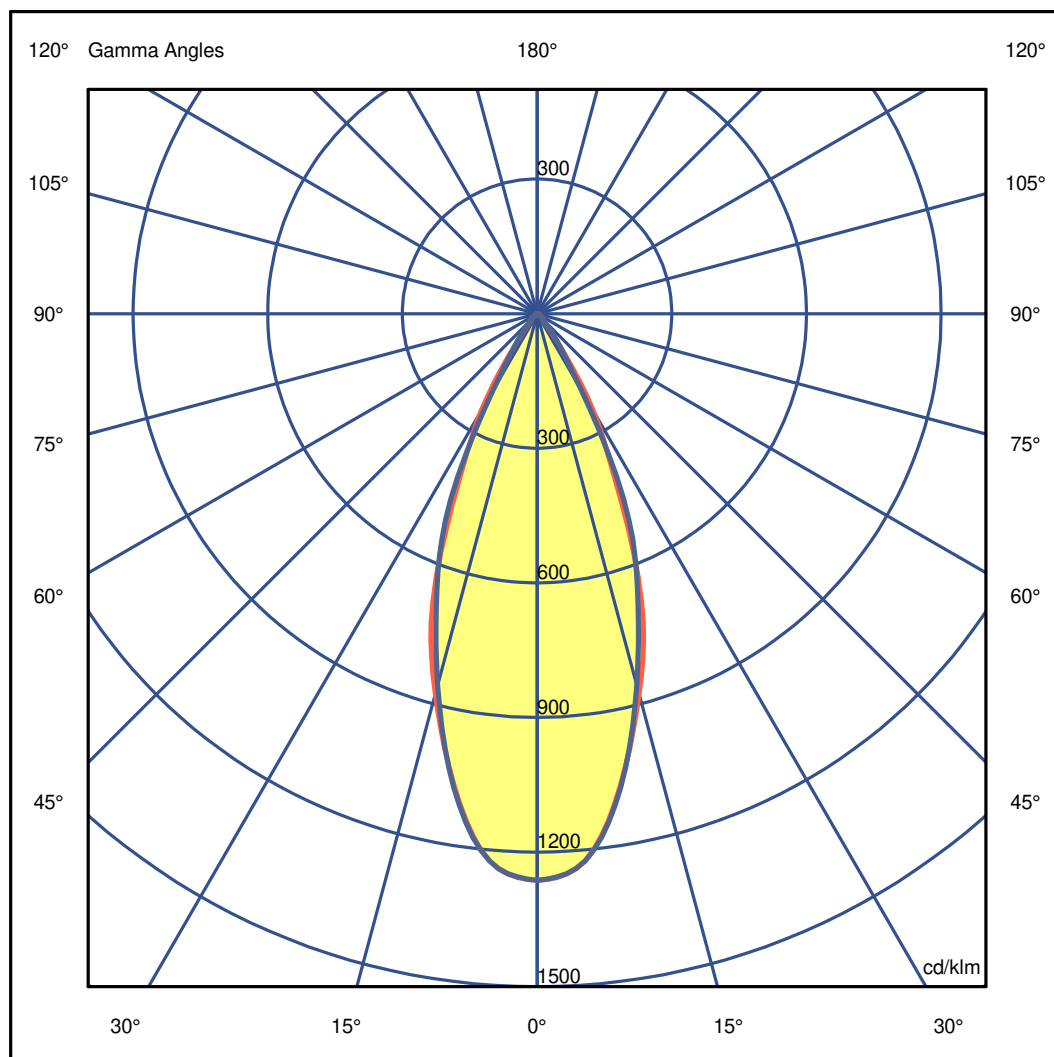
Luminaire Flux	183.68 lm	Luminaire Power	35.00 W	Efficacy	5.25 lm/W	Efficiency	66.79%
Sources Flux	275.00 lm	Maximum value	1262.72 cd/klm	Position	C=0.00 G=0.00	CG	Double Symmetrical
Rectangular Luminaire Rectangular Luminous Area	Length Length	90 mm 60 mm	Width Width	90 mm 60 mm	Height Height	108 mm 0 mm	
Horizontal Luminous Area Emitting area on Plane 0° Emitting area on Plane 90°	0.003600 m2 0.000000 m2 0.000000 m2		Emitting area on Plane 180° Emitting area on Plane 270° Glare area at 76°	0.000000 m2 0.000000 m2 0.000871 m2			
Coordinate system Date Measurement Distance	CG 29-10-2015 0.00		Symmetry Type Maximum Gamma Angle Measurement Flux	Double Symmetrical 90 275.00 lm			
Operator Temperature Humidity Notes	Asselum T3 25.00 °C 60.00 %		Rated Voltage Rated Current Photocell				

Luminaire Lamps

Line	Code	Name	Flux [lm]	Pow. [W]	Q.ty
	15-9480-Z5-37	ECOHALO 35W GU10	275.00	35.00	1
C.I.E. F UTE	96 99 100 100 67 0.67 A	D DIN 5040 B NBN	A60 BZ 1		



ULOR 0.00 %
DLOR 66.79 %
RN 0.00 %



LEDS C4⁺

Luminaire

Code 15-9480-Z5-37
Name Plafón AFRODITA 35W GU10

Measurem.

Code 15-9480-Z5-37
Name Plafón AFRODITA 35W GU10

Luminaire Flux	183.68 lm	Luminaire Power	35.00 W	Efficacy	5.25 lm/W	Efficiency	66.79%
Sources Flux	275.00 lm	Maximum value	1262.72 cd/klm	Position	C=0.00 G=0.00	CG	Double Symmetrical

Luminous Intensity Table cd/klm Table 1/1

	C 0.00	C 15.00	C 30.00	C 45.00	C 60.00	C 75.00	C 90.00
G 0.0	1262.72	1262.72	1262.72	1262.72	1262.72	1262.72	1262.72
G 5.0	1223.99	1227.83	1222.75	1229.47	1222.60	1222.33	1223.81
G 10.0	1067.34	1078.69	1075.50	1077.46	1071.90	1070.84	1071.17
G 15.0	876.81	873.67	865.23	867.80	861.49	861.72	856.72
G 20.0	678.82	679.65	677.33	671.17	666.18	663.65	653.25
G 25.0	417.04	426.37	442.74	447.43	432.07	439.84	455.58
G 30.0	248.27	252.10	256.63	261.68	258.12	231.17	195.44
G 35.0	91.38	95.44	118.14	154.81	113.70	93.51	87.55
G 40.0	28.59	31.92	41.16	58.40	39.11	32.20	27.28
G 45.0	18.17	19.51	22.04	24.30	20.82	19.03	18.03
G 50.0	14.74	15.37	16.71	16.28	15.02	14.73	14.92
G 55.0	4.79	6.51	12.51	13.04	12.37	5.54	4.64
G 60.0	4.09	3.99	3.72	5.62	3.61	3.86	3.92
G 65.0	3.62	3.50	3.25	3.11	3.18	3.43	3.52
G 70.0	3.16	3.03	2.78	2.64	2.73	2.97	3.07
G 75.0	2.48	2.41	2.22	2.13	2.22	2.44	2.50
G 80.0	1.69	1.66	1.59	1.56	1.62	1.75	1.77
G 85.0	1.06	1.04	1.05	1.06	1.09	1.16	1.17
G 90.0	0.99	0.97	0.98	1.00	1.04	1.12	1.14

LEDS C4[®]

Luminaire

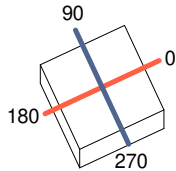
Code 15-9480-Z5-37
 Name Plafón AFRODITA 35W GU10

Measur.

Code 15-9480-Z5-37
 Name Plafón AFRODITA 35W GU10

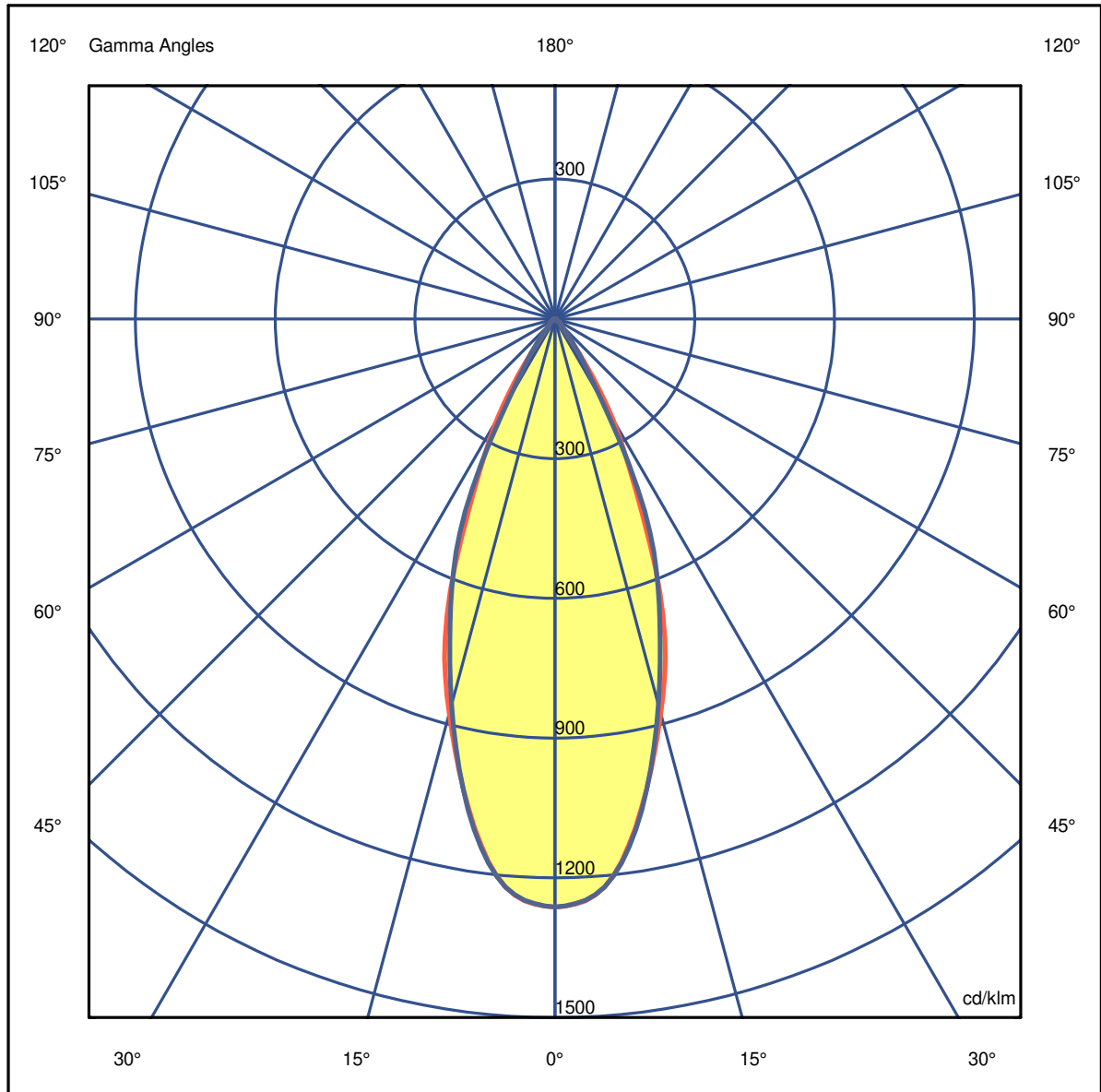
Luminaire Flux	183.68 lm	Luminaire Power	35.00 W	Efficacy	5.25 lm/W	Efficiency	66.79%
Sources Flux	275.00 lm	Maximum value	1262.72 cd/klm	Position	C=0.00 G=0.00	CG	Double Symmetrical

90mm x 90mm



C Halfplanes

180.0 ———— 0.0
 270.0 ———— 90.0



LEDS C4[®]

Luminaire

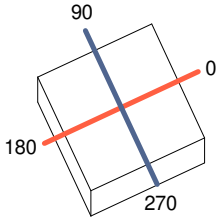
Code 15-9480-Z5-37
Name Plafón AFRODITA 35W GU10

Measurem.

Code 15-9480-Z5-37
Name Plafón AFRODITA 35W GU10

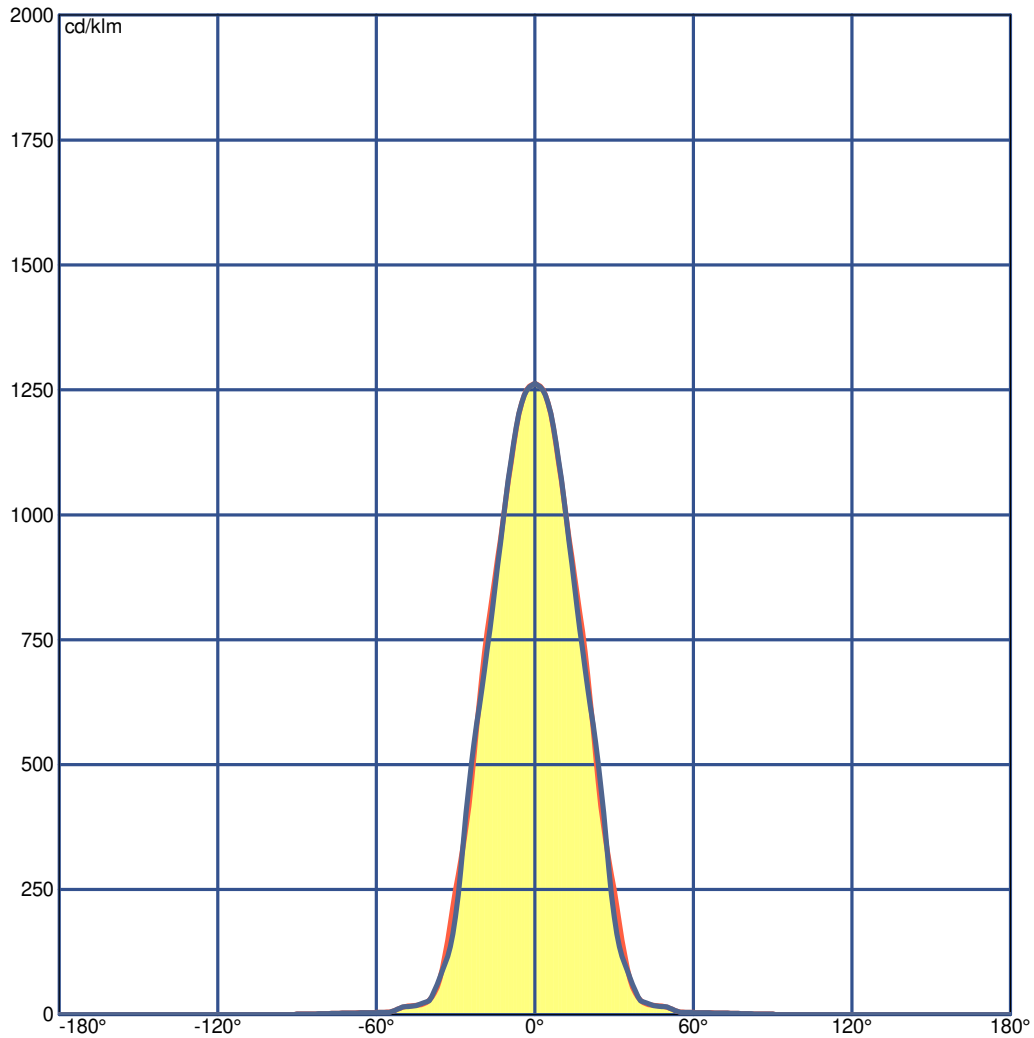
Luminaire Flux	183.68 lm	Luminaire Power	35.00 W	Efficacy	5.25 lm/W	Efficiency	66.79%
Sources Flux	275.00 lm	Maximum value	1262.72 cd/klm	Position	C=0.00 G=0.00	CG	Double Symmetrical

90mm x 90mm



C Halfplanes

180.0 ——— 0.0
270.0 ——— 90.0



LEDS C4[®]

Luminaire

Code 15-9480-Z5-37
Name Plafón AFRODITA 35W GU10

Measurem.

Code 15-9480-Z5-37
Name Plafón AFRODITA 35W GU10

Luminaire Flux	183.68 lm	Luminaire Power	35.00 W	Efficacy	5.25 lm/W	Efficiency	66.79%
Sources Flux	275.00 lm	Maximum value	1262.72 cd/klm	Position	C=0.00 G=0.00	CG	Double Symmetrical

UGR
S = 0.250

Reflectancies										
Ceiling/Cavity	0.7	0.7	0.5	0.5	0.3	0.7	0.7	0.5	0.5	0.3
Walls	0.5	0.3	0.5	0.3	0.3	0.5	0.3	0.5	0.3	0.3
WorkingPlane	0.2	0.2	0.2	0.2	0.2	0.2	0.2	0.2	0.2	0.2
RoomDimensions	Viewed Crosswise					Viewed Endwise				
x=2H y=2H	9.7	10.4	9.9	10.6	10.8	9.1	9.8	9.3	10.0	10.2
x=2H y=3H	9.7	10.3	10.0	10.6	10.8	9.2	9.8	9.4	10.0	10.2
x=2H y=4H	9.8	10.4	10.1	10.6	10.9	9.2	9.8	9.6	10.1	10.4
x=2H y=6H	9.9	10.4	10.2	10.7	11.0	9.4	9.9	9.7	10.2	10.5
x=2H y=8H	9.9	10.4	10.3	10.7	11.0	9.4	9.9	9.8	10.2	10.5
x=2H y=12H	10.0	10.4	10.3	10.7	11.1	9.5	10.0	9.9	10.3	10.6
x=4H y=2H	9.6	10.2	9.9	10.4	10.7	9.0	9.6	9.3	9.9	10.1
x=4H y=3H	9.7	10.2	10.1	10.5	10.8	9.2	9.6	9.5	9.9	10.3
x=4H y=4H	9.9	10.3	10.2	10.6	11.0	9.4	9.8	9.7	10.1	10.4
x=4H y=6H	10.0	10.4	10.4	10.7	11.1	9.6	9.9	10.0	10.3	10.7
x=4H y=8H	10.1	10.4	10.5	10.8	11.2	9.7	10.0	10.1	10.4	10.8
x=4H y=12H	10.2	10.5	10.6	10.9	11.3	9.8	10.1	10.3	10.5	10.9
x=8H y=4H	9.9	10.2	10.3	10.6	11.0	9.4	9.7	9.8	10.1	10.5
x=8H y=6H	10.1	10.3	10.5	10.7	11.2	9.7	9.9	10.1	10.3	10.8
x=8H y=8H	10.2	10.4	10.7	10.9	11.3	9.9	10.1	10.3	10.5	11.0
x=8H y=12H	10.4	10.6	10.9	11.0	11.5	10.1	10.3	10.6	10.7	11.2
x=12H y=4H	9.8	10.1	10.3	10.5	10.9	9.4	9.6	9.8	10.0	10.4
x=12H y=6H	10.1	10.3	10.6	10.7	11.2	9.7	9.9	10.1	10.3	10.8
x=12H y=8H	10.3	10.4	10.8	10.9	11.4	9.9	10.1	10.4	10.5	11.0

LEDS C4⁺

Luminaire

Code 15-9480-Z5-37
Name Plafón AFRODITA 35W GU10

Measurement

Code 15-9480-Z5-37
Name Plafón AFRODITA 35W GU10

Luminaire Flux	183.68 lm	Luminaire Power	35.00 W	Efficacy	5.25 lm/W	Efficiency	66.79%
Sources Flux	275.00 lm	Maximum value	1262.72 cd/klm	Position	C=0.00 G=0.00	CG	Double Symmetrical

Total Flux=275.00 Luminaire Flux=183.68

RI	0.60	0.80	1.00	1.25	1.50	2.00	2.50	3.00	4.00	5.00	10.00	20.00
DRR	0.71	0.75	0.80	0.84	0.87	0.91	0.94	0.96	0.98	0.99	1.01	1.02
RC	-	-	-	-	-	-	-	-	-	-	-	-

Zonal Flux per 1000 Lumen

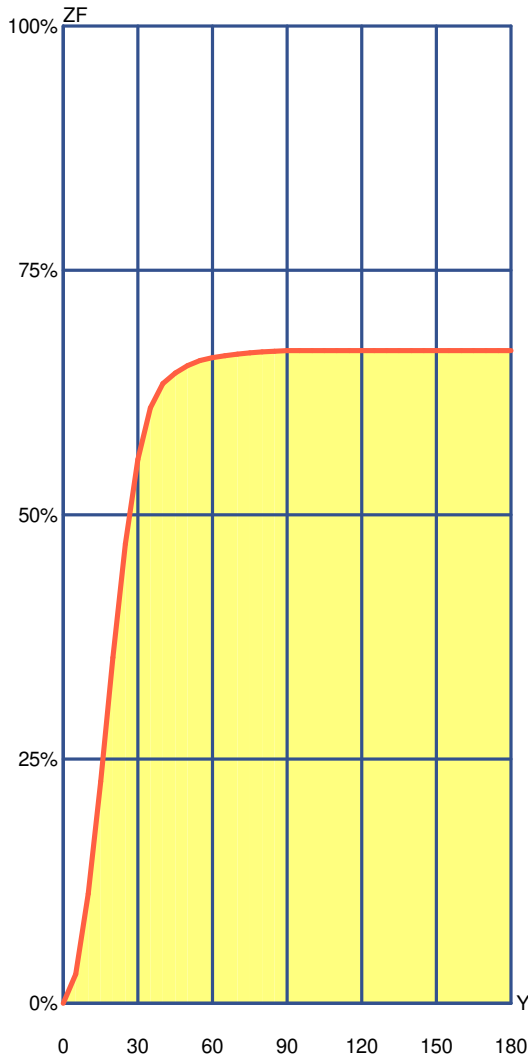
Y°	10	20	30	40	50	60	70	80	90	100	110	120	130	140	150	160	170	180
ZF(Y)	112	354	557	634	652	661	664	667	668	668	668	668	668	668	668	668	668	668

CIE Flux Codes

96 99 100 100 67

C.I.E. - - - - -
D DIN 5040 A60
F UTE 0.67 A
B NBN BZ 1
RN 0.00000 %
BLF 1.0

LOR 66.79186 %
ULOR 0.00000 %
DLOR 66.79186 %
UFF 0.00000 %
DFF 100.00000 %
FFR 0.00000 %



Gamma °	Zonal Flux			
	Flux	Sum lm	Flux [%]	Sum [%]
0°	0.00	0.00	0.00%	0.00 %
5°	29.74	29.74	4.45 %	4.45 %
10°	82.23	111.97	12.31 %	16.76 %
15°	115.08	227.05	17.23 %	33.99 %
20°	126.65	353.71	18.96 %	52.96 %
25°	116.22	469.93	17.40 %	70.36 %
30°	86.61	556.54	12.97 %	83.32 %
35°	52.68	609.22	7.89 %	91.21 %
40°	24.91	634.13	3.73 %	94.94 %
45°	10.94	645.07	1.64 %	96.58 %
50°	7.30	652.37	1.09 %	97.67 %
55°	5.35	657.72	0.80 %	98.47 %
60°	3.06	660.78	0.46 %	98.93 %
65°	1.82	662.60	0.27 %	99.20 %
70°	1.57	664.18	0.24 %	99.44 %
75°	1.36	665.53	0.20 %	99.64 %
80°	1.06	666.60	0.16 %	99.80 %
85°	0.74	667.34	0.11 %	99.91 %
90°	0.58	667.92	0.09 %	100.00 %
95°	0.00	667.92	0.00 %	100.00 %
100°	0.00	667.92	0.00 %	100.00 %
105°	0.00	667.92	0.00 %	100.00 %
110°	0.00	667.92	0.00 %	100.00 %
115°	0.00	667.92	0.00 %	100.00 %
120°	0.00	667.92	0.00 %	100.00 %
125°	0.00	667.92	0.00 %	100.00 %
130°	0.00	667.92	0.00 %	100.00 %
135°	0.00	667.92	0.00 %	100.00 %
140°	0.00	667.92	0.00 %	100.00 %
145°	0.00	667.92	0.00 %	100.00 %
150°	0.00	667.92	0.00 %	100.00 %
155°	0.00	667.92	0.00 %	100.00 %
160°	0.00	667.92	0.00 %	100.00 %
165°	0.00	667.92	0.00 %	100.00 %
170°	0.00	667.92	0.00 %	100.00 %
175°	0.00	667.92	0.00 %	100.00 %
180°	0.00	667.92	0.00 %	100.00 %

LEDS C4⁺

Luminaire

Code 15-9480-Z5-37
Name Plafón AFRODITA 35W GU10

Measurement

Code 15-9480-Z5-37
Name Plafón AFRODITA 35W GU10

Luminaire Flux	183.68 lm	Luminaire Power	35.00 W	Efficacy	5.25 lm/W	Efficiency	66.79%
Sources Flux	275.00 lm	Maximum value	1262.72 cd/klm	Position	C=0.00 G=0.00	CG	Double Symmetrical

Utilizations CIE

Mounting	Direct	Normalization										Normalised										Suspension Ratid/3										Standard CIE Settings																																																																																																																																																																																																																																																																																							
Ceiling																																																																																																																																																																																																																																																																																																																							
K	8873	8773	8871	8771	7773	7771	7753	7553	7751	7551	7731	7331	7711	7111	5551	5531	5331	5511	5111	3331	3311	1111	0000	0.60	110	98	63	57	94	54	63	54	35	30	21	16	12	8	28	17	15	10	8	15	8	7	0	0.80	132	121	69	64	115	61	83	72	41	36	27	22	17	12	34	23	21	14	12	20	12	11	0	1.00	147	137	70	65	130	62	99	88	45	40	32	26	22	17	38	27	25	19	16	24	16	14	0	1.25	162	153	71	67	146	64	116	105	48	44	36	31	27	21	42	32	29	23	20	28	21	19	0	1.50	174	165	71	68	158	65	129	119	51	47	40	35	31	25	45	35	33	27	24	32	25	23	0	2.00	190	182	69	66	174	64	150	140	54	51	45	40	38	32	48	41	39	34	31	37	31	29	0	2.50	200	194	67	65	185	63	165	156	55	53	48	44	43	38	50	44	43	39	36	41	36	34	0	3.00	207	202	66	64	193	62	176	168	56	54	51	47	46	42	52	47	46	43	40	44	40	38	0	4.00	219	214	66	64	205	63	191	185	59	57	55	52	52	48	55	52	50	49	46	48	46	43	0	5.00	226	222	66	65	213	63	202	196	60	59	58	55	55	52	57	54	53	52	50	52	50	47	0	10.00	242	240	66	65	230	64	225	222	64	63	64	62	63	61	61	61	60	61	60	59	59	57	0	20.00	251	250	67	66	240	65	239	237	66	66	67	66	68	67	64	65	65	66	65	63	64	62	0

Wall

K	8873	8773	8871	8771	7773	7771	7753	7553	7751	7551	7731	7331	7711	7111	5551	5531	5331	5511	5111	3331	3311	1111	0000	0.60	193	187	134	131	184	130	145	140	105	102	88	86	76	74	101	86	85	75	74	85	74	74	59	0.80	215	209	143	140	204	138	166	160	115	113	99	96	86	85	111	96	95	85	84	94	84	83	66	1.00	225	219	142	139	212	136	177	171	116	114	102	99	90	88	112	99	98	88	87	96	87	86	66	1.25	236	230	141	139	222	136	189	183	119	117	106	103	95	92	114	102	101	93	91	99	91	89	67	1.50	244	238	140	138	229	135	198	192	120	118	108	105	98	95	114	104	103	95	93	100	93	91	67	2.00	245	239	127	126	228	123	203	196	111	109	102	99	94	91	105	97	96	90	89	93	87	85	59	2.50	240	235	114	113	223	109	202	195	101	99	94	91	87	84	94	88	87	83	81	84	79	76	48	3.00	233	229	100	99	215	95	197	191	89	87	83	81	78	75	82	78	77	74	72	73	69	66	37	4.00	229	225	87	86	210	82	196	190	78	77	74	72	70	67	71	68	67	65	63	63	60	56	25	5.00	223	219	75	74	203	71	192	187	68	67	65	63	62	59	61	58	58	56	55	53	51	46	14	10.00	181	179	22	21	161	18	156	153	17	16	17	15	16	14	10	10	9	9	8	3	3	0	0	20.00	101	100	0	0	81	0	79	77	0	0	0	0	0	0	0	0	0	0	0	0	0	0	0
---	------	------	------	------	------	------	------	------	------	------	------	------	------	------	------	------	------	------	------	------	------	------	------	------	-----	-----	-----	-----	-----	-----	-----	-----	-----	-----	----	----	----	----	-----	----	----	----	----	----	----	----	----	------	-----	-----	-----	-----	-----	-----	-----	-----	-----	-----	----	----	----	----	-----	----	----	----	----	----	----	----	----	------	-----	-----	-----	-----	-----	-----	-----	-----	-----	-----	-----	----	----	----	-----	----	----	----	----	----	----	----	----	------	-----	-----	-----	-----	-----	-----	-----	-----	-----	-----	-----	-----	----	----	-----	-----	-----	----	----	----	----	----	----	------	-----	-----	-----	-----	-----	-----	-----	-----	-----	-----	-----	-----	----	----	-----	-----	-----	----	----	-----	----	----	----	------	-----	-----	-----	-----	-----	-----	-----	-----	-----	-----	-----	----	----	----	-----	----	----	----	----	----	----	----	----	------	-----	-----	-----	-----	-----	-----	-----	-----	-----	----	----	----	----	----	----	----	----	----	----	----	----	----	----	------	-----	-----	-----	----	-----	----	-----	-----	----	----	----	----	----	----	----	----	----	----	----	----	----	----	----	------	-----	-----	----	----	-----	----	-----	-----	----	----	----	----	----	----	----	----	----	----	----	----	----	----	----	------	-----	-----	----	----	-----	----	-----	-----	----	----	----	----	----	----	----	----	----	----	----	----	----	----	----	-------	-----	-----	----	----	-----	----	-----	-----	----	----	----	----	----	----	----	----	---	---	---	---	---	---	---	-------	-----	-----	---	---	----	---	----	----	---	---	---	---	---	---	---	---	---	---	---	---	---	---	---

Working Pl.

K	8873	8773	8871	8771	7773	7771	7753	7553	7751	7551	7731	7331	7711	7111	5551	5531	5331	5511	5111	3331	3311	1111	0000	0.60	595	589	555	552	585	550	537	533	517	515	496	494	480	479	513	494	493	479	478	492	478	478	472	0.80	639	631	588	585	625	582	578	572	551	548	530	527	513	511	546	526	525	512	511	524	510	509	504	1.00	677	669	617	613	661	610	616	609	583	580	563	559	547	544	576	559	557	545	543	556	543	541	536	1.25	708	700	639	635	690	631	648	640	607	604	589	585	574	571	600	584	582	571	569	580	568	566	560	1.50	732	724	654	651	711	646	673	664	625	622	608	604	594	590	616	602	600	590	588	597	586	584	578	2.00	768	761	677	674	745	669	713	704	653	650	640	636	629	624	644	633	631	623	621	626	618	614	609	2.50	792	785	691	689	767	683	740	731	671	669	661	657	652	647	661	653	651	645	643	645	639	634	629	3.00	809	802	700	699	782	693	760	751	684	682	676	672	669	664	673	667	665	661	658	659	654	648	643	4.00	827	822	709	708	799	702	782	774	696	694	690	687	685	681	684	680	679	676	673	671	667	660	655	5.00	839	834	715	714	810	707	796	789	703	701	699	696	695	691	691	688	686	685	682	678	675	667	662	10.00	863	860	725	724	832	717	826	821	717	716	716	714	716	713	704	703	703	703	701	691	691	680	675	20.00	875	873	729	728	843	722	841	839	723	722	724	723	725	723	709	710	710	711	710	697	698	686	680
---	------	------	------	------	------	------	------	------	------	------	------	------	------	------	------	------	------	------	------	------	------	------	------	------	-----	-----	-----	-----	-----	-----	-----	-----	-----	-----	-----	-----	-----	-----	-----	-----	-----	-----	-----	-----	-----	-----	-----	------	-----	-----	-----	-----	-----	-----	-----	-----	-----	-----	-----	-----	-----	-----	-----	-----	-----	-----	-----	-----	-----	-----	-----	------	-----	-----	-----	-----	-----	-----	-----	-----	-----	-----	-----	-----	-----	-----	-----	-----	-----	-----	-----	-----	-----	-----	-----	------	-----	-----	-----	-----	-----	-----	-----	-----	-----	-----	-----	-----	-----	-----	-----	-----	-----	-----	-----	-----	-----	-----	-----	------	-----	-----	-----	-----	-----	-----	-----	-----	-----	-----	-----	-----	-----	-----	-----	-----	-----	-----	-----	-----	-----	-----	-----	------	-----	-----	-----	-----	-----	-----	-----	-----	-----	-----	-----	-----	-----	-----	-----	-----	-----	-----	-----	-----	-----	-----	-----	------	-----	-----	-----	-----	-----	-----	-----	-----	-----	-----	-----	-----	-----	-----	-----	-----	-----	-----	-----	-----	-----	-----	-----	------	-----	-----	-----	-----	-----	-----	-----	-----	-----	-----	-----	-----	-----	-----	-----	-----	-----	-----	-----	-----	-----	-----	-----	------	-----	-----	-----	-----	-----	-----	-----	-----	-----	-----	-----	-----	-----	-----	-----	-----	-----	-----	-----	-----	-----	-----	-----	------	-----	-----	-----	-----	-----	-----	-----	-----	-----	-----	-----	-----	-----	-----	-----	-----	-----	-----	-----	-----	-----	-----	-----	-------	-----	-----	-----	-----	-----	-----	-----	-----	-----	-----	-----	-----	-----	-----	-----	-----	-----	-----	-----	-----	-----	-----	-----	-------	-----	-----	-----	-----	-----	-----	-----	-----	-----	-----	-----	-----	-----	-----	-----	-----	-----	-----	-----	-----	-----	-----	-----

LM53 SHR C0-C180: 0.669 SHR C90-C270: 0.640 SHR Square: 0.676

LEDS C4[®]

Luminaire

Code 15-9480-Z5-37
Name Plafón AFRODITA 35W GU10

Measurem.

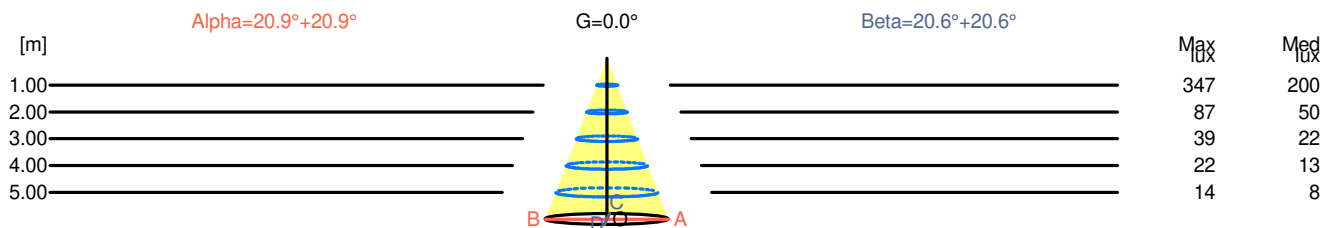
Code 15-9480-Z5-37
Name Plafón AFRODITA 35W GU10

Luminaire Flux	183.68 lm	Luminaire Power	35.00 W	Efficacy	5.25 lm/W	Efficiency	66.79%
Sources Flux	275.00 lm	Maximum value	1262.72 cd/klm	Position	C=0.00 G=0.00	CG	Double Symmetrical

Width at 50.00 % of Max Intensity

H[m]	1.00	2.00	3.00	4.00	5.00	H[m]	1.00	2.00	3.00	4.00	5.00
OA	0.38	0.76	1.15	1.53	1.91	OC	0.38	0.75	1.13	1.50	1.88
OB	0.38	0.76	1.15	1.53	1.91	OD	0.38	0.75	1.13	1.50	1.88

	Luminous Intensities [cd/klm]									
	0	5	15	25	35	45	55	65	75	85
OA	347.25	336.60	241.12	114.69	25.13	5.00	1.32	1.00	0.68	0.29
OB	347.25	336.60	241.12	114.69	25.13	5.00	1.32	1.00	0.68	0.29
OC	347.25	336.55	235.60	125.28	24.08	4.96	1.28	0.97	0.69	0.32
OD	347.25	336.55	235.60	125.28	24.08	4.96	1.28	0.97	0.69	0.32



H[m]	D[m]	Max lux	Med lux	Alpha=20.9°+20.9°	G=0.0
1.00	0.76	347	200		
2.00	1.53	87	50		
3.00	2.29	39	22		
4.00	3.06	22	13		
5.00	3.82	14	8		

H[m]	D[m]	Max lux	Med lux	Beta=20.6°+20.6°	G=0.0
1.00	0.75	347	200		
2.00	1.50	87	50		
3.00	2.26	39	22		
4.00	3.01	22	13		
5.00	3.76	14	8		

LEDS C4[®]

Luminaire

Code 15-9480-Z5-37
 Name Plafón AFRODITA 35W GU10

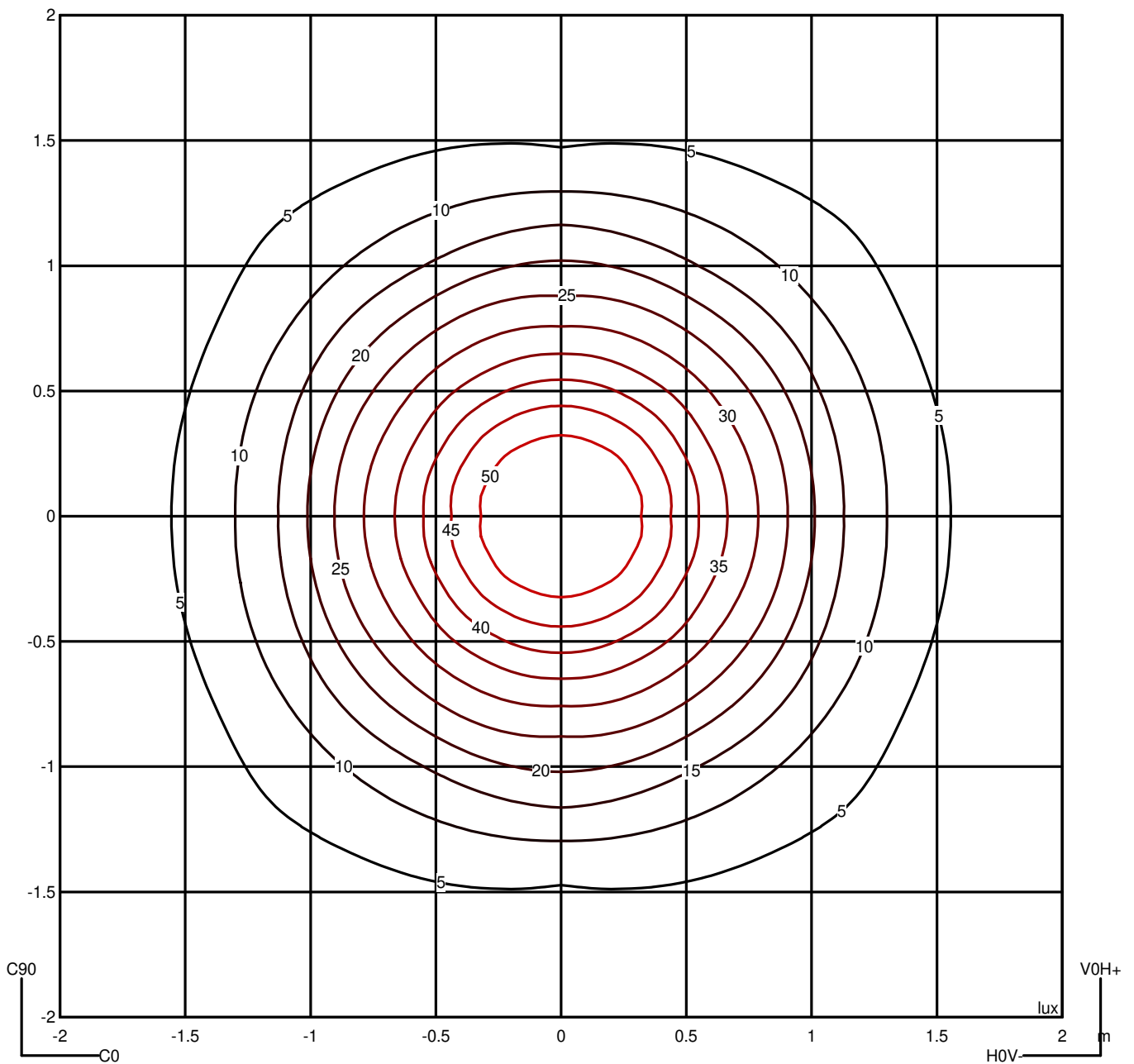
Measur.

Code 15-9480-Z5-37
 Name Plafón AFRODITA 35W GU10

Luminaire Flux	183.68 lm	Luminaire Power	35.00 W	Efficacy	5.25 lm/W	Efficiency	66.79%
Sources Flux	275.00 lm	Maximum value	1262.72 cd/klm	Position	C=0.00 G=0.00	CG	Double Symmetrical

Isolux (Floor)

Luminaire position X=0.00m Y=0.00m Z=2.50m



LEDS C4[®]

Luminaire

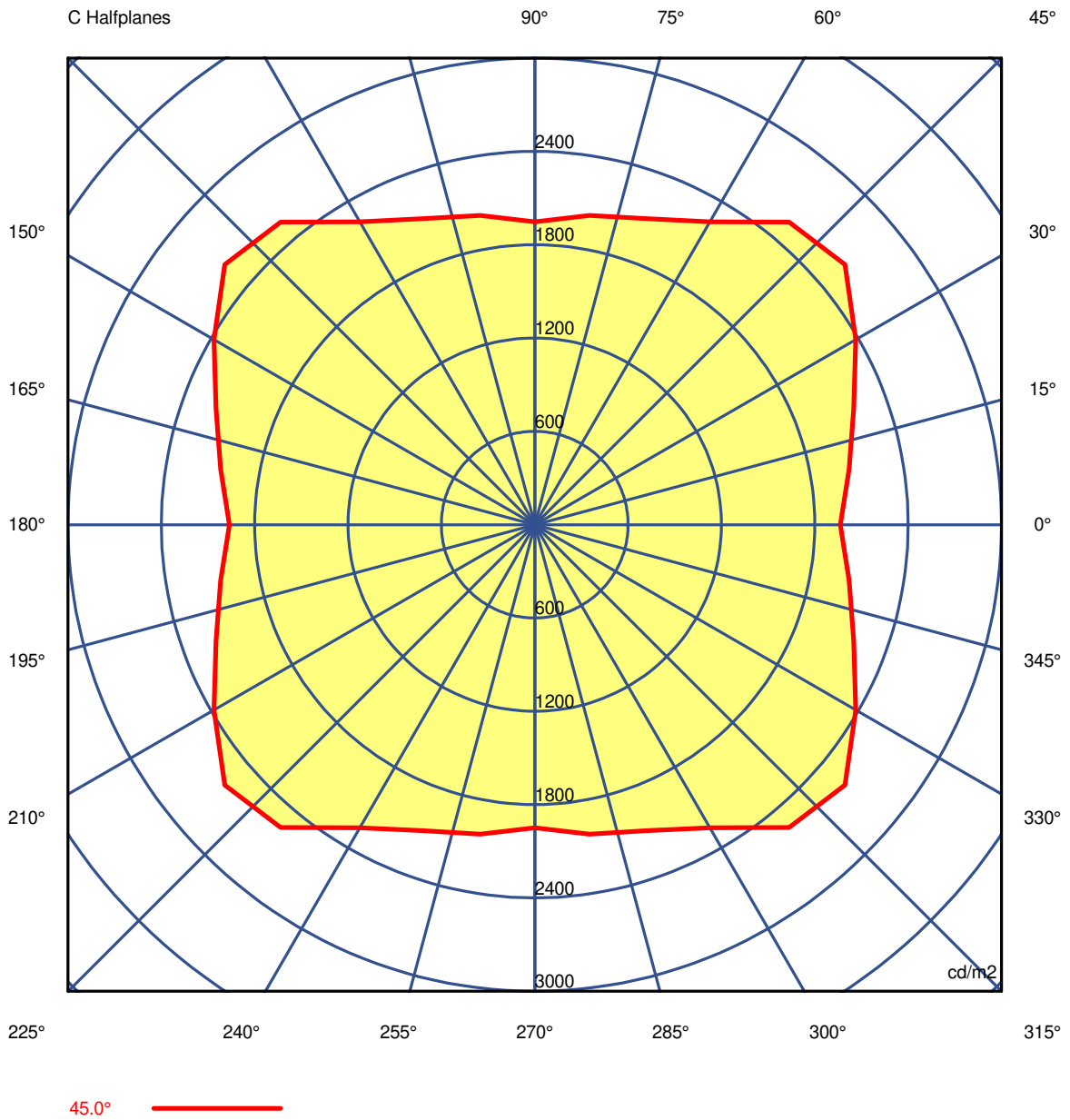
Code 15-9480-Z5-37
 Name Plafón AFRODITA 35W GU10

Measurem.

Code 15-9480-Z5-37
 Name Plafón AFRODITA 35W GU10

Luminaire Flux	183.68 lm	Luminaire Power	35.00 W	Efficacy	5.25 lm/W	Efficiency	66.79%
Sources Flux	275.00 lm	Maximum value	1262.72 cd/klm	Position	C=0.00 G=0.00	CG	Double Symmetrical

Luminance



LEDS C4⁺

Luminaire

Code 15-9480-Z5-37
Name Plafón AFRODITA 35W GU10

Measurement

Code 15-9480-Z5-37
Name Plafón AFRODITA 35W GU10

Luminaire Flux	183.68 lm	Luminaire Power	35.00 W	Efficacy	5.25 lm/W	Efficiency	66.79%
Sources Flux	275.00 lm	Maximum value	1262.72 cd/klm	Position	C=0.00 G=0.00	CG	Double Symmetrical

Luminance cd/m2 Table 1/3

	C 0.00	C 10.00	C 20.00	C 30.00	C 40.00	C 50.00	C 60.00	C 70.00	C 80.00	C 90.00	C 100.00	C 110.00	C 120.00
G 0.0	96457.97	96457.97	96457.97	96457.97	96457.97	96457.97	96457.97	96457.97	96457.97	96457.97	96457.97	96457.97	96457.97
G 5.0	93856.63	94153.12	94003.39	93761.64	94141.95	94185.79	93750.03	93735.88	93776.27	93842.77	93776.27	93735.88	93750.03
G 10.0	82790.50	83504.66	83642.57	83423.68	83542.41	83477.68	83144.42	83089.65	83074.85	83087.95	83074.85	83089.65	83144.42
G 15.0	69340.93	69246.83	68838.74	68425.31	68578.70	68508.15	68129.44	68128.53	68077.73	67752.63	68077.73	68128.53	68129.44
G 20.0	55182.34	55244.20	55224.93	55061.12	54741.32	54391.22	54154.96	54058.55	53734.90	53103.29	53734.90	54058.55	54154.96
G 25.0	35150.51	35605.13	36374.27	37316.75	37826.41	37296.48	36417.67	36665.92	37509.44	38398.67	37509.44	36665.92	36417.67
G 30.0	21898.61	22120.98	22358.43	22636.55	22953.76	23147.39	22767.44	21352.07	19367.67	17238.66	19367.67	21352.07	22767.44
G 35.0	8521.81	8691.11	9273.63	11016.70	13893.37	13696.42	10603.36	9012.92	8508.20	8164.33	8508.20	9012.92	10603.36
G 40.0	2851.03	3062.82	3335.26	4104.81	5546.90	5436.14	3899.75	3293.10	3087.83	2720.24	3087.83	3293.10	3899.75
G 45.0	1963.18	2050.39	2180.10	2381.39	2602.68	2541.14	2249.71	2094.13	2020.88	1947.93	2020.88	2094.13	2249.71
G 50.0	1751.38	1788.88	1883.75	1985.78	1975.44	1882.21	1784.84	1750.29	1755.77	1772.74	1755.77	1750.29	1784.84
G 55.0	637.82	713.36	1133.01	1666.21	1752.59	1758.02	1647.86	1029.08	698.18	618.13	698.18	1029.08	1647.86
G 60.0	624.54	614.17	567.03	567.91	800.72	794.31	552.00	577.47	593.23	599.28	593.23	577.47	552.00
G 65.0	654.70	643.24	619.46	588.03	567.01	560.95	573.95	606.08	629.96	636.81	629.96	606.08	573.95
G 70.0	705.01	689.16	659.32	620.83	594.95	590.15	609.30	647.14	675.55	686.30	675.55	647.14	609.30
G 75.0	731.24	721.27	693.46	654.59	631.01	629.83	654.12	699.70	730.86	737.74	730.86	699.70	654.12
G 80.0	745.01	736.24	721.24	701.33	686.22	688.79	714.00	752.82	771.29	777.53	771.29	752.82	714.00
G 85.0	932.24	917.35	914.12	920.37	924.80	934.48	959.26	999.37	1025.31	1029.41	1025.31	999.37	959.26
G 90.0	0.00	0.00	0.00	0.00	0.00	0.00	0.00	0.00	0.00	0.00	0.00	0.00	0.00

LEDS C4⁺

Luminaire

Code 15-9480-Z5-37
Name Plafón AFRODITA 35W GU10

Measurement

Code 15-9480-Z5-37
Name Plafón AFRODITA 35W GU10

Luminaire Flux	183.68 lm	Luminaire Power	35.00 W	Efficacy	5.25 lm/W	Efficiency	66.79%
Sources Flux	275.00 lm	Maximum value	1262.72 cd/klm	Position	C=0.00 G=0.00	CG	Double Symmetrical

Luminance cd/m2 Table 2/3

	C 130.00	C 140.00	C 150.00	C 160.00	C 170.00	C 180.00	C 190.00	C 200.00	C 210.00	C 220.00	C 230.00	C 240.00	C 250.00
G 0.0	96457.97	96457.97	96457.97	96457.97	96457.97	96457.97	96457.97	96457.97	96457.97	96457.97	96457.97	96457.97	96457.97
G 5.0	94185.79	94141.95	93761.64	94003.39	94153.12	93856.63	94153.12	94003.39	93761.64	94141.95	94185.79	93750.03	93735.88
G 10.0	83477.68	83542.41	83423.68	83642.57	83504.66	82790.50	83504.66	83642.57	83423.68	83542.41	83477.68	83144.42	83089.65
G 15.0	68508.15	68578.70	68425.31	68838.74	69246.83	69340.93	69246.83	68838.74	68425.31	68578.70	68508.15	68129.44	68128.53
G 20.0	54391.22	54741.32	55061.12	55224.93	55244.20	55182.34	55244.20	55224.93	55061.12	54741.32	54391.22	54154.96	54058.55
G 25.0	37296.48	37826.41	37316.75	36374.27	35605.13	35150.51	35605.13	36374.27	37316.75	37826.41	37296.48	36417.67	36665.92
G 30.0	23147.39	22953.76	22636.55	22358.43	22120.98	21898.61	22120.98	22358.43	22636.55	22953.76	23147.39	22767.44	21352.07
G 35.0	13696.42	13893.37	11016.70	9273.63	8691.11	8521.81	8691.11	9273.63	11016.70	13893.37	13696.42	10603.36	9012.92
G 40.0	5436.14	5546.90	4104.81	3335.26	3062.82	2851.03	3062.82	3335.26	4104.81	5546.90	5436.14	3899.75	3293.10
G 45.0	2541.14	2602.68	2381.39	2180.10	2050.39	1963.18	2050.39	2180.10	2381.39	2602.68	2541.14	2249.71	2094.13
G 50.0	1882.21	1975.44	1985.78	1883.75	1788.88	1751.38	1788.88	1883.75	1985.78	1975.44	1882.21	1784.84	1750.29
G 55.0	1758.02	1752.59	1666.21	1133.01	713.36	637.82	713.36	1133.01	1666.21	1752.59	1758.02	1647.86	1029.08
G 60.0	794.31	800.72	567.91	567.03	614.17	624.54	614.17	567.03	567.91	800.72	794.31	552.00	577.47
G 65.0	560.95	567.01	588.03	619.46	643.24	654.70	643.24	619.46	588.03	567.01	560.95	573.95	606.08
G 70.0	590.15	594.95	620.83	659.32	689.16	705.01	689.16	659.32	620.83	594.95	590.15	609.30	647.14
G 75.0	629.83	631.01	654.59	693.46	721.27	731.24	721.27	693.46	654.59	631.01	629.83	654.12	699.70
G 80.0	688.79	686.22	701.33	721.24	736.24	745.01	736.24	721.24	701.33	686.22	688.79	714.00	752.82
G 85.0	934.48	924.80	920.37	914.12	917.35	932.24	917.35	914.12	920.37	924.80	934.48	959.26	999.37
G 90.0	0.00	0.00	0.00	0.00	0.00	0.00	0.00	0.00	0.00	0.00	0.00	0.00	0.00

LEDS C4[®]

Luminaire

Code 15-9480-Z5-37
Name Plafón AFRODITA 35W GU10

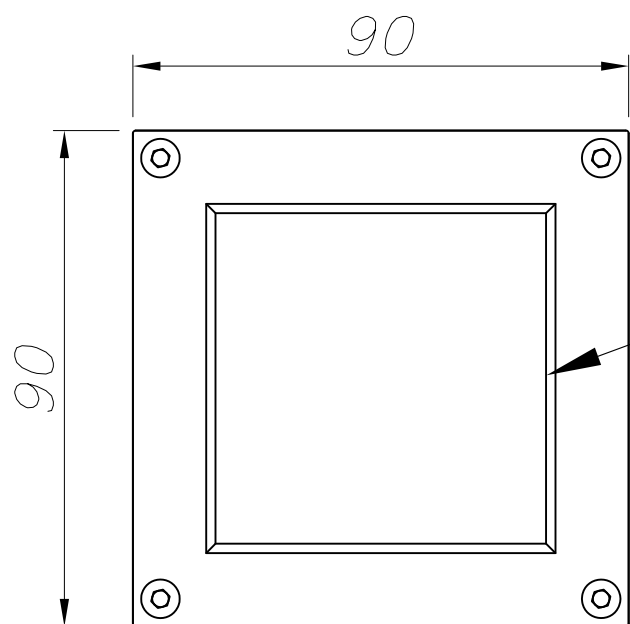
Measurem.

Code 15-9480-Z5-37
Name Plafón AFRODITA 35W GU10

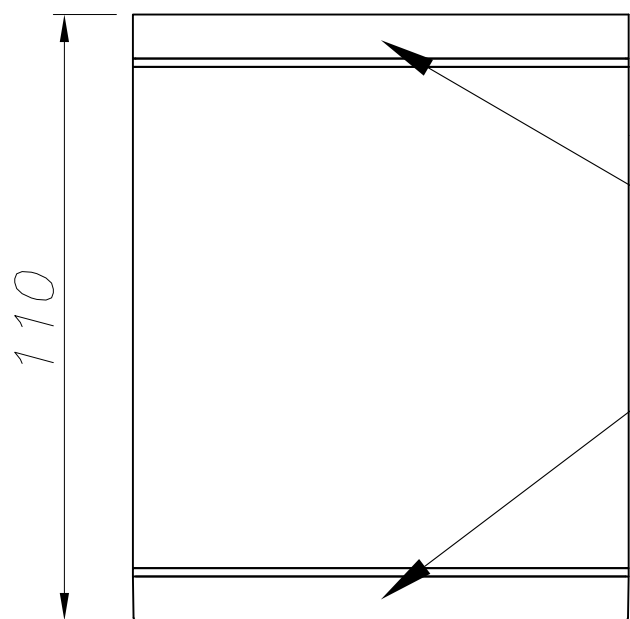
Luminaire Flux	183.68 lm	Luminaire Power	35.00 W	Efficacy	5.25 lm/W	Efficiency	66.79%
Sources Flux	275.00 lm	Maximum value	1262.72 cd/klm	Position	C=0.00 G=0.00	CG	Double Symmetrical

Luminance cd/m2 Table 3/3

	C 260.00	C 270.00	C 280.00	C 290.00	C 300.00	C 310.00	C 320.00	C 330.00	C 340.00	C 350.00
G 0.0	96457.97	96457.97	96457.97	96457.97	96457.97	96457.97	96457.97	96457.97	96457.97	96457.97
G 5.0	93776.27	93842.77	93776.27	93735.88	93750.03	94185.79	94141.95	93761.64	94003.39	94153.12
G 10.0	83074.85	83087.95	83074.85	83089.65	83144.42	83477.68	83542.41	83423.68	83642.57	83504.66
G 15.0	68077.73	67752.63	68077.73	68128.53	68129.44	68508.15	68578.70	68425.31	68838.74	69246.83
G 20.0	53734.90	53103.29	53734.90	54058.55	54154.96	54391.22	54741.32	55061.12	55224.93	55244.20
G 25.0	37509.44	38398.67	37509.44	36665.92	36417.67	37296.48	37826.41	37316.75	36374.27	35605.13
G 30.0	19367.67	17238.66	19367.67	21352.07	22767.44	23147.39	22953.76	22636.55	22358.43	22120.98
G 35.0	8508.20	8164.33	8508.20	9012.92	10603.36	13696.42	13893.37	11016.70	9273.63	8691.11
G 40.0	3087.83	2720.24	3087.83	3293.10	3899.75	5436.14	5546.90	4104.81	3335.26	3062.82
G 45.0	2020.88	1947.93	2020.88	2094.13	2249.71	2541.14	2602.68	2381.39	2180.10	2050.39
G 50.0	1755.77	1772.74	1755.77	1750.29	1784.84	1882.21	1975.44	1985.78	1883.75	1788.88
G 55.0	698.18	618.13	698.18	1029.08	1647.86	1758.02	1752.59	1666.21	1133.01	713.36
G 60.0	593.23	599.28	593.23	577.47	552.00	794.31	800.72	567.91	567.03	614.17
G 65.0	629.96	636.81	629.96	606.08	573.95	560.95	567.01	588.03	619.46	643.24
G 70.0	675.55	686.30	675.55	647.14	609.30	590.15	594.95	620.83	659.32	689.16
G 75.0	730.86	737.74	730.86	699.70	654.12	629.83	631.01	654.59	693.46	721.27
G 80.0	771.29	777.53	771.29	752.82	714.00	688.79	686.22	701.33	721.24	736.24
G 85.0	1025.31	1029.41	1025.31	999.37	959.26	934.48	924.80	920.37	914.12	917.35
G 90.0	0.00	0.00	0.00	0.00	0.00	0.00	0.00	0.00	0.00	0.00

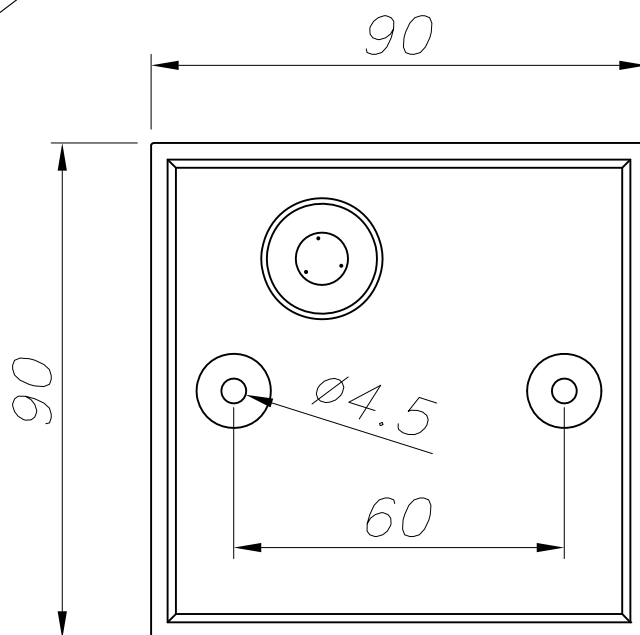


CRISTAL TRANSPARENTE
TRANSPARENT GLASS



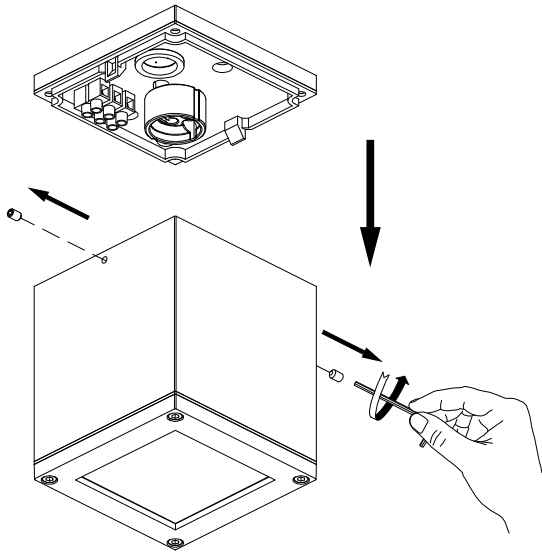
ALUMINIO EXTRUDIDO
EXTRUDED ALUMINUM

ALUMINIO INYECTADO
INJECTED ALUMINUM

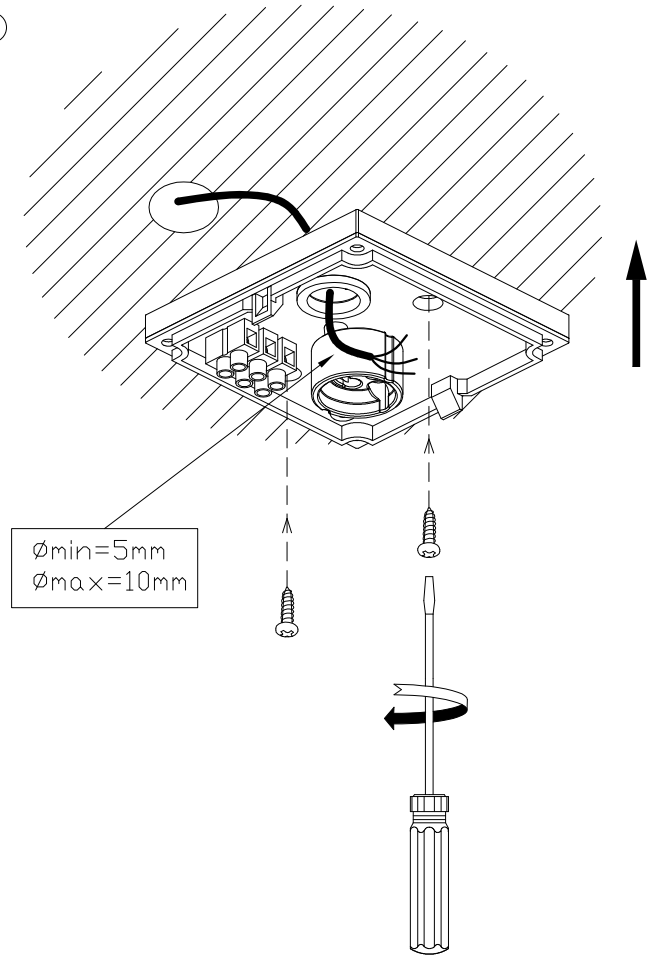


PLANTILLA DE INSTALACIÓN
INSTALLATION TEMPLATE

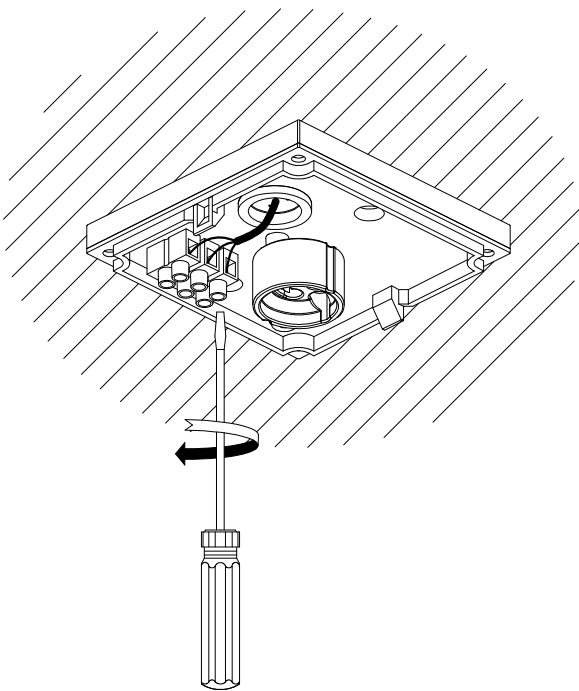
①



②



③



④

