

15-9298-Z5-M3

V0

MARK Ceiling fixture



Description

Recessed light fitting for outdoor use.

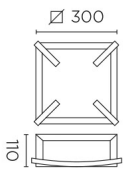
For downlighting. Structure material: Aluminium. Structure finish: Urban grey. Blades finishes: NA. Diffuser material: Polycarbonate. Diffuser finish: Matt. UV protection. Warranty: 5 Years.

Finish

Urban grey
Matt
NA

Material

Aluminium
Polycarbonate



TECHNICAL CHARACTERISTICS

Light source

Lampholder: 2 x E27
Output (W): MAX 60W
Total power consumption (W): 120
Lamp maximum dimension: 167/50 mm
Real Lumen: 1032
Quantity: 2
Lm/Real W: 9
UGR: 15.0

GEAR

Brand: NA
Power Factor: 1.00

Luminaire

Double cable exit: No
Drainage: No
Uv Protection: Yes
Warranty: 5 Years

Logistics

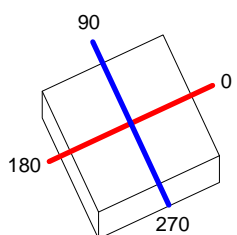
Energy Efficiency: NO BULB
EAN Code: 8435111055892
Net Weight (Kg): 1.720
Weight in Kg (packaged): 1.970
Packing: 310 x 120 x 310
Masterbox: 6

The photograph may not match the reference exactly. Please read the product description to identify the finish.

Luminaire		Measur.		Lamp		
Code	15-9298	Code	15-9298	Code	PLEC23	
Name	Plafon Mark 2x23	Name	Plafon Mark 2x23	Number	2	
Line	Eulumdat	Date	28-12-2010	Position		
Efficiency	34.40%	Coordinate system	CG	Total Flux	3000.00 lm	
Maximum value	240.74 cd	Position	C=0.00 G=0.00	Double Symmetrical		
Rectangular Luminaire	Length	300 mm	Width	300 mm	Height	90 mm
Rectangular Luminous Area	Length	240 mm	Width	240 mm	Height	70 mm
Horizontal Luminous Area	0.057600 m2		Emitting area on Plane 180°	0.016800 m2		
Emitting area on Plane 0°	0.016800 m2		Emitting area on Plane 270°	0.016800 m2		
Emitting area on Plane 90°	0.016800 m2		Glare area at 76°	0.030236 m2		
Symmetry Type	Double Symmetrical		Maximum Gamma Angle	180		
Measurement Distance	0.00		Measurement Flux	3000.00 lm		
Operator	Asselum		Source voltage			
Temperature	25.00 °C		Source current			
Humidity	60.00 %		Photocell			
Notes						

Luminaire Lamps					
Line	Code	Name	Flux [lm]	Pow. [W]	Q.ty
Eulumdat	PLEC23	PLEC23 - 23.00 W	1500.00	23.00	2
C.I.E.	39 69 88 82 34	D DIN 5040	B21		
F UTE	0.28 G + 0.06 T	B NBN	BZ 6 / 0.8 / BZ 5 / 1 / BZ 6		

300mm x 300mm



C Halfplanes

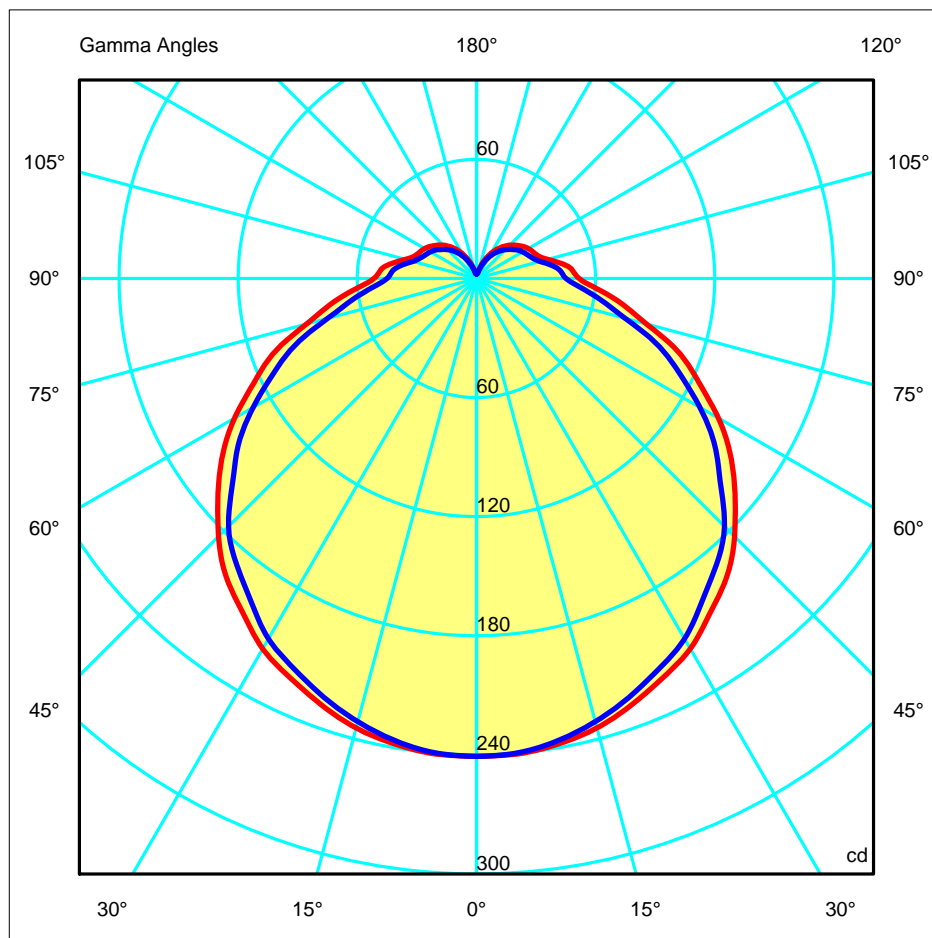
180.0 — 0.0

270.0 — 90.0

ULOR 6.20 %

DLOR 28.20 %

RN 18.01 %

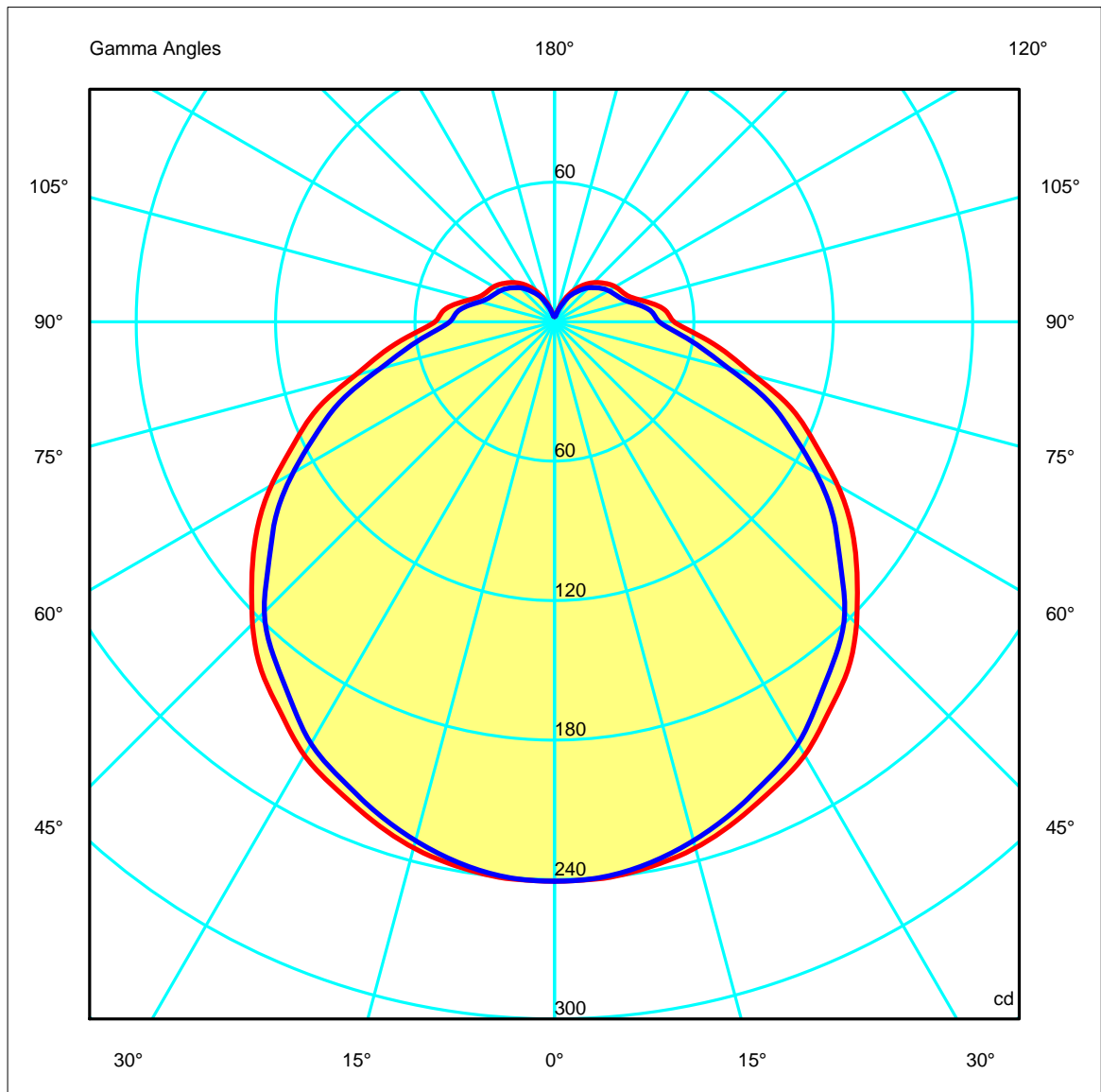
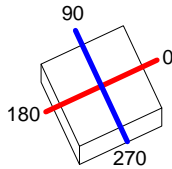


Luminaire		Measuram.		Lamp	
Code	15-9298	Code	15-9298	Code	PLEC23
Name	Plafon Mark 2x23	Name	Plafon Mark 2x23	Number	2
Line	Eulmdat	Date	28-12-2010	Position	
Efficiency	34.40%	Coordinate system	CG	Total Flux	3000.00 lm

300mm x 300mm

C Halfplanes

180.0 ——— 0.0
 270.0 ——— 90.0



Luminaire

 Code 15-9298
 Name Plafon Mark 2x23
 Line Eulumdat

Measuram.

 Code 15-9298
 Name Plafon Mark 2x23
 Date 28-12-2010

Lamp

 Code PLEC23
 Number 2
 Position

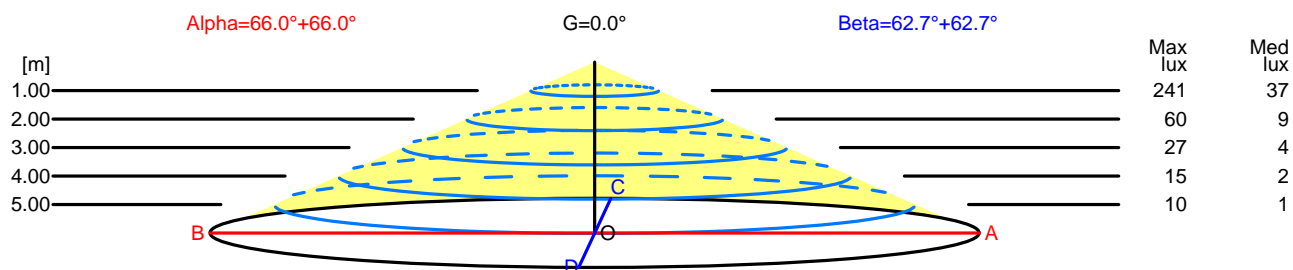
Efficiency	34.40%	Coordinate system	CG	Total Flux	3000.00 lm
------------	--------	-------------------	----	------------	------------

Width at 50.00 % of Max Intensity

H[m]	1.00	2.00	3.00	4.00	5.00	H[m]	1.00	2.00	3.00	4.00	5.00
OA	2.25	4.50	6.75	9.00	11.25	OC	1.94	3.88	5.82	7.75	9.69
OB	2.25	4.50	6.75	9.00	11.25	OD	1.94	3.88	5.82	7.75	9.69

Luminous Intensities [cd]

	0	5	15	25	35	45	55	65	75	85
OA	240.74	240.39	234.36	221.97	205.39	183.82	156.47	123.48	88.73	61.32
OB	240.74	240.39	234.36	221.97	205.39	183.82	156.47	123.48	88.73	61.32
OC	240.74	239.84	231.13	217.10	198.24	176.63	146.50	112.73	77.58	52.73
OD	240.74	239.84	231.13	217.10	198.24	176.63	146.50	112.73	77.58	52.73



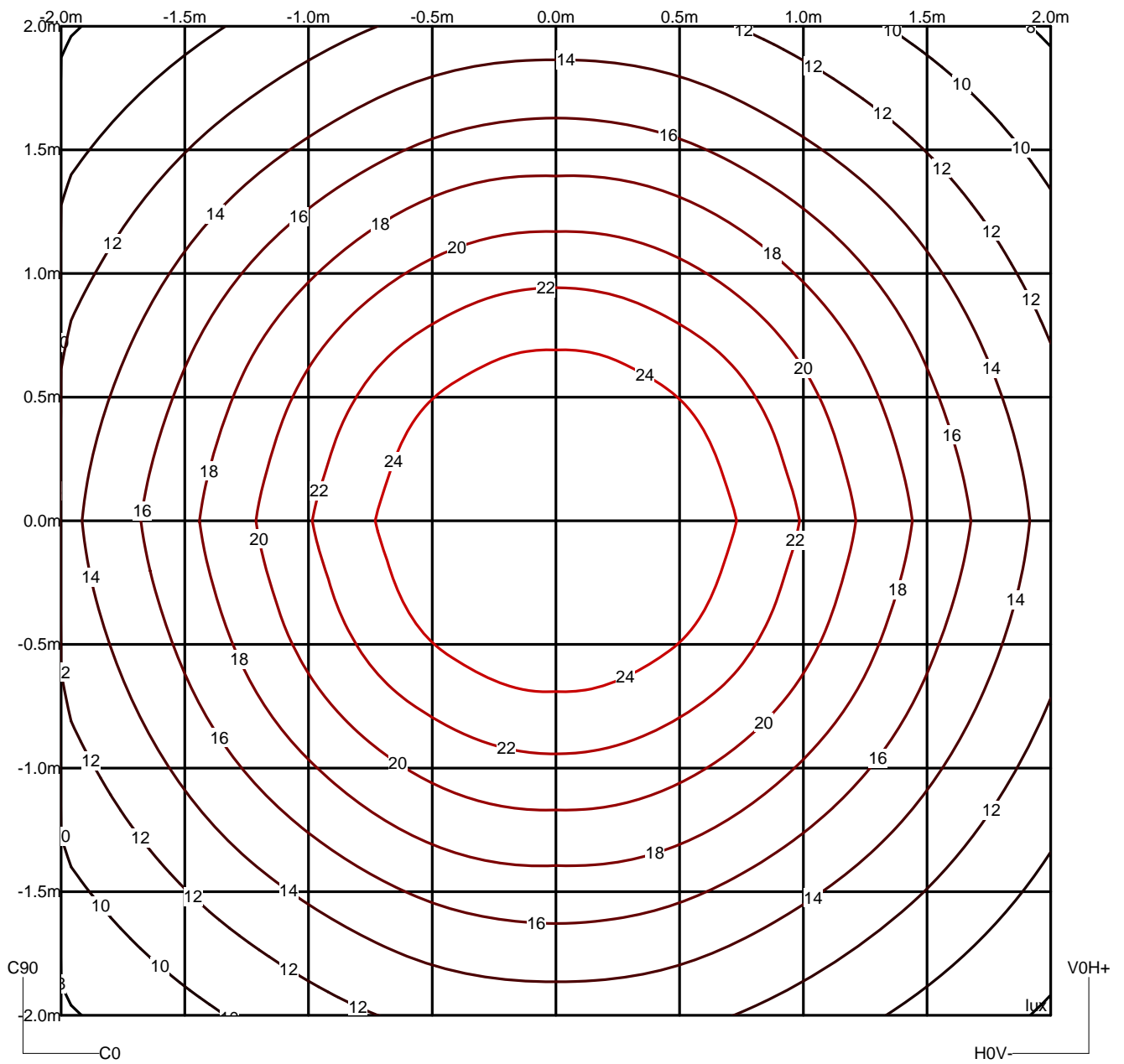
H[m]	D[m]	Max lux	Med lux	Alpha=66.0°+66.0°	G=0.0
1.00	4.50	241	37		
2.00	9.00	60	9		
3.00	13.50	27	4		
4.00	18.00	15	2		
5.00	22.50	10	1		

H[m]	D[m]	Max lux	Med lux	Beta=62.7°+62.7°	G=0.0
1.00	3.88	241	37		
2.00	7.75	60	9		
3.00	11.63	27	4		
4.00	15.51	15	2		
5.00	19.39	10	1		

Luminaire		Measur.		Lamp	
Code	15-9298	Code	15-9298	Code	PLEC23
Name	Plafon Mark 2x23	Name	Plafon Mark 2x23	Number	2
Line	Eulumdat	Date	28-12-2010	Position	
Efficiency	34.40%	Coordinate system	CG	Total Flux	3000.00 lm

Isolux (Floor)

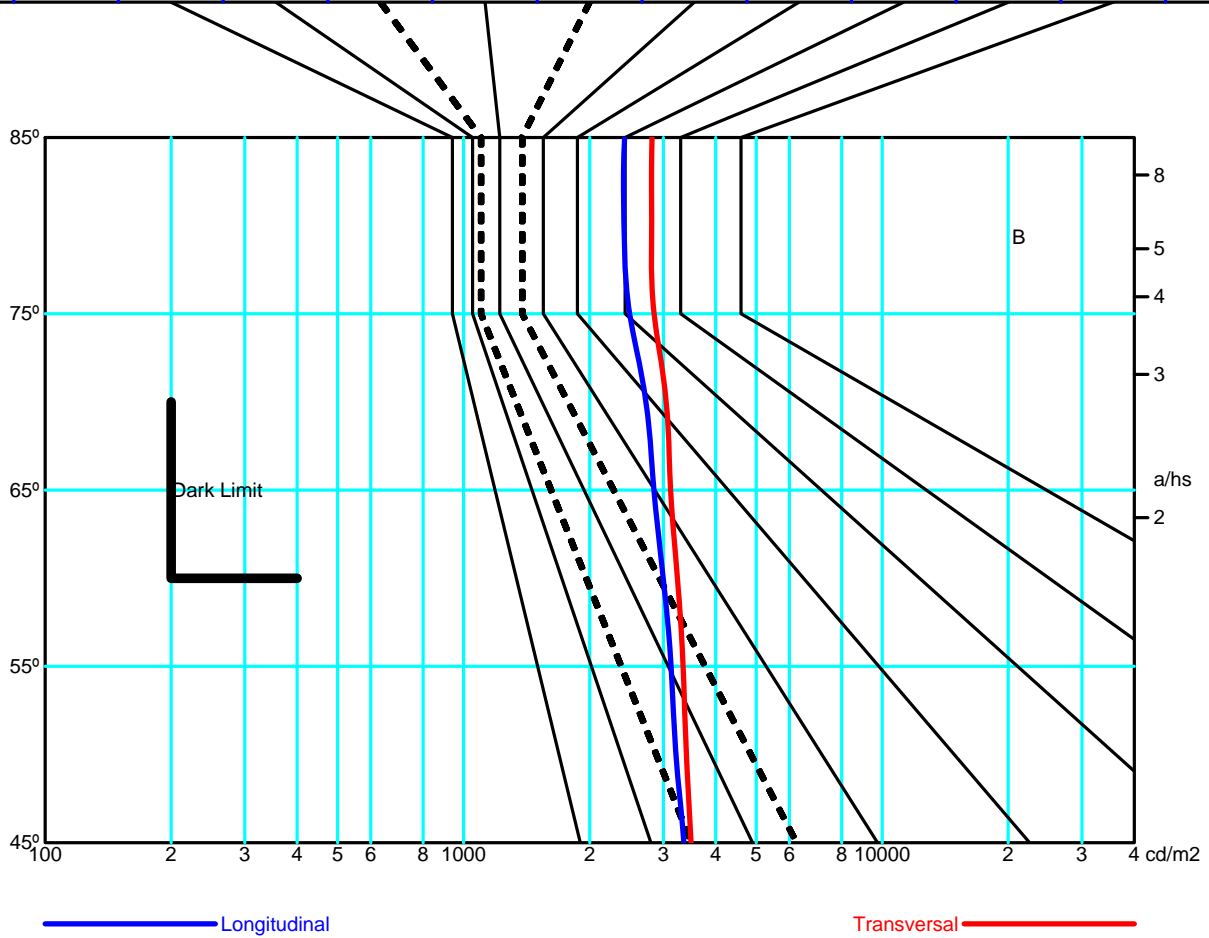
Luminaire position X=0.00m Y=0.00m Z=3.00m



Luminaire		Measur.		Lamp	
Code	15-9298	Code	15-9298	Code	PLEC23
Name	Plafon Mark 2x23	Name	Plafon Mark 2x23	Number	2
Line	Eulumdat	Date	28-12-2010	Position	
Efficiency	34.40%	Coordinate system	CG	Total Flux	3000.00 lm

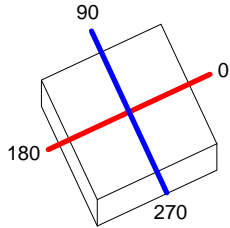
	Average Luminance [cd/m ²]										
	0.0°	45°	50°	55°	60°	65°	70°	75°	80°	85°	
90.0°	3357	3494	3215	3130	2997	2849	2727	2492	2415	2424	---

Flush mounted or transversal view												
		Illumination(lx)										
A	A	2000	1000	750	500		<300					1.15
B	1		2000	1500	1000	750	500	<300				1.5
C					2000		1000	500	<300			1.85
D	2						2000	1000	500	<300		2.2
E	3							2000	1000	500	<300	2.55



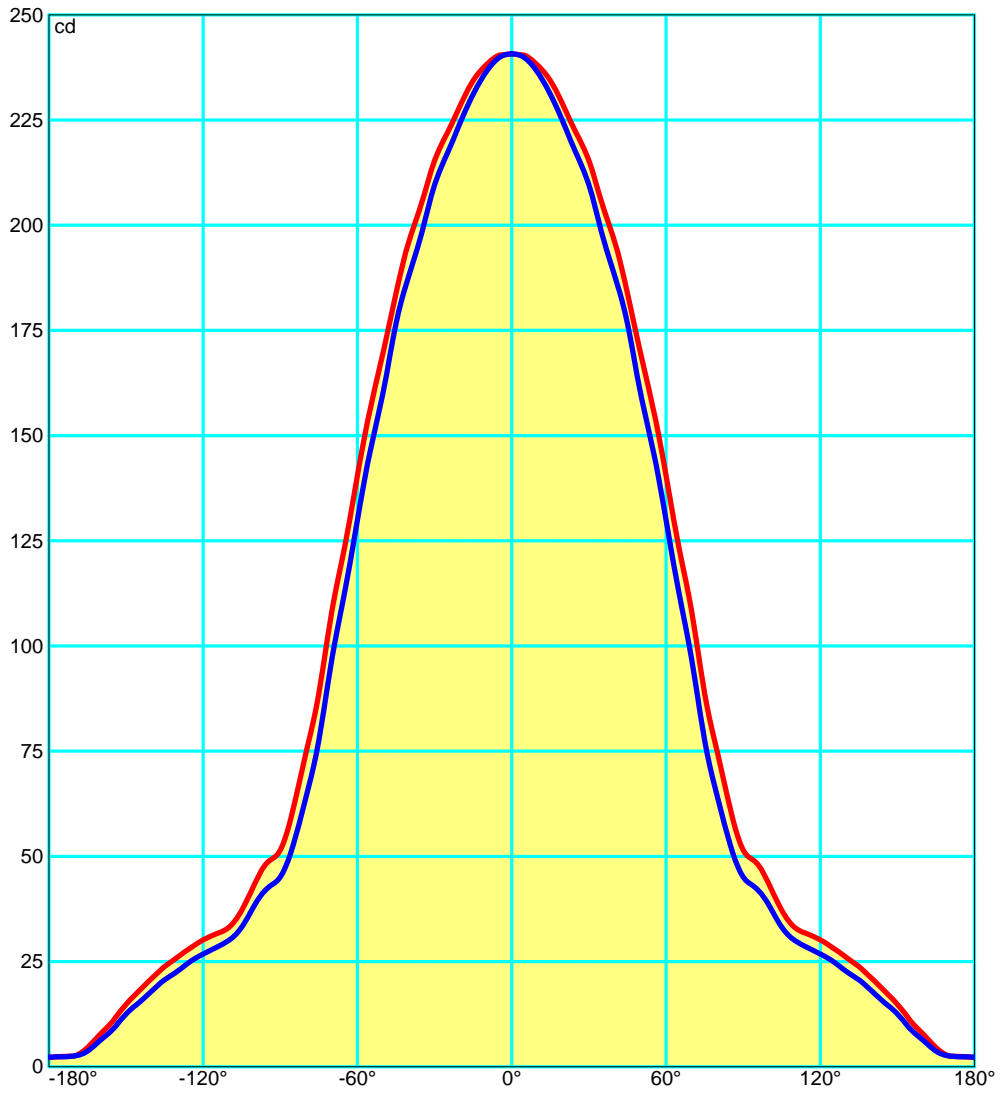
Luminaire		Measur.		Lamp	
Code	15-9298	Code	15-9298	Code	PLEC23
Name	Plafon Mark 2x23	Name	Plafon Mark 2x23	Number	2
Line	Eulumdat	Date	28-12-2010	Position	
Efficiency	34.40%	Coordinate system	CG	Total Flux	3000.00 lm

300mm x 300mm



C Halfplanes

180.0 ———— 0.0
 270.0 ———— 90.0



Luminaire		Measur.		Lamp	
Code	15-9298	Code	15-9298	Code	PLEC23
Name	Plafon Mark 2x23	Name	Plafon Mark 2x23	Number	2
Line	Eulumdat	Date	28-12-2010	Position	
Efficiency	34.40%	Coordinate system	CG	Total Flux	3000.00 lm

UGR
S = 0.250

Reflectancies										
Ceiling/Cavity	0.7	0.7	0.5	0.5	0.3	0.7	0.7	0.5	0.5	0.3
Walls	0.5	0.3	0.5	0.3	0.3	0.5	0.3	0.5	0.3	0.3
WorkingPlane	0.2	0.2	0.2	0.2	0.2	0.2	0.2	0.2	0.2	0.2
RoomDimensions	ViewedCrosswise					ViewedEndwise				
x=2H y=2H	15.1	16.3	15.6	16.8	17.3	15.0	16.2	15.5	16.7	17.3
x=2H y=3H	16.9	18.0	17.5	18.5	19.0	16.8	17.9	17.3	18.4	19.0
x=2H y=4H	17.8	18.8	18.4	19.4	19.9	17.6	18.6	18.2	19.2	19.9
x=2H y=6H	18.6	19.6	19.2	20.2	20.6	18.3	19.3	18.9	19.9	20.6
x=2H y=8H	19.0	20.0	19.7	20.6	21.0	18.7	19.6	19.3	20.2	21.0
x=2H y=12H	19.5	20.3	20.1	20.9	21.3	19.1	19.9	19.7	20.6	21.3
x=4H y=2H	15.8	16.8	16.3	17.4	18.0	15.7	16.7	16.3	17.3	18.0
x=4H y=3H	17.8	18.7	18.4	19.3	19.9	17.7	18.5	18.3	19.2	19.9
x=4H y=4H	18.8	19.6	19.4	20.2	20.8	18.6	19.4	19.3	20.0	20.8
x=4H y=6H	19.7	20.4	20.4	21.1	21.7	19.5	20.2	20.2	20.9	21.7
x=4H y=8H	20.2	20.8	20.9	21.5	22.0	20.0	20.6	20.6	21.3	22.0
x=4H y=12H	20.7	21.2	21.3	22.0	22.5	20.4	21.0	21.1	21.7	22.5
x=8H y=4H	19.1	19.8	19.8	20.5	21.1	19.0	19.7	19.7	20.4	21.1
x=8H y=6H	20.3	20.8	21.0	21.5	22.2	20.1	20.7	20.8	21.3	22.2
x=8H y=8H	20.9	21.3	21.6	22.0	22.7	20.7	21.2	21.4	21.9	22.7
x=8H y=12H	21.5	21.9	22.2	22.6	23.3	21.3	21.7	22.0	22.4	23.3
x=12H y=4H	19.2	19.8	19.9	20.5	21.2	19.1	19.7	19.8	20.4	21.2
x=12H y=6H	20.4	20.9	21.1	21.6	22.3	20.3	20.7	21.0	21.4	22.3
x=12H y=8H	21.1	21.5	21.8	22.2	22.9	20.9	21.3	21.7	22.1	22.9

Luminaire		Measur.				Lamp	
Code	15-9298	Code	15-9298			Code	PLEC23
Name	Plafon Mark 2x23	Name	Plafon Mark 2x23			Number	2
Line	Eulumdat	Date	28-12-2010			Position	
Efficiency	34.40%	Coordinate system	CG		Total Flux	3000.00 lm	

Total Flux=3000.00 Luminaire Flux=1031.97

RI	0.60	0.80	1.00	1.25	1.50	2.00	2.50	3.00	4.00	5.00	10.00	20.00
DRR	0.25	0.33	0.40	0.46	0.52	0.60	0.66	0.70	0.76	0.80	0.88	0.93
RC	6	6	6	7	7	7	7	7	7	7	7	7

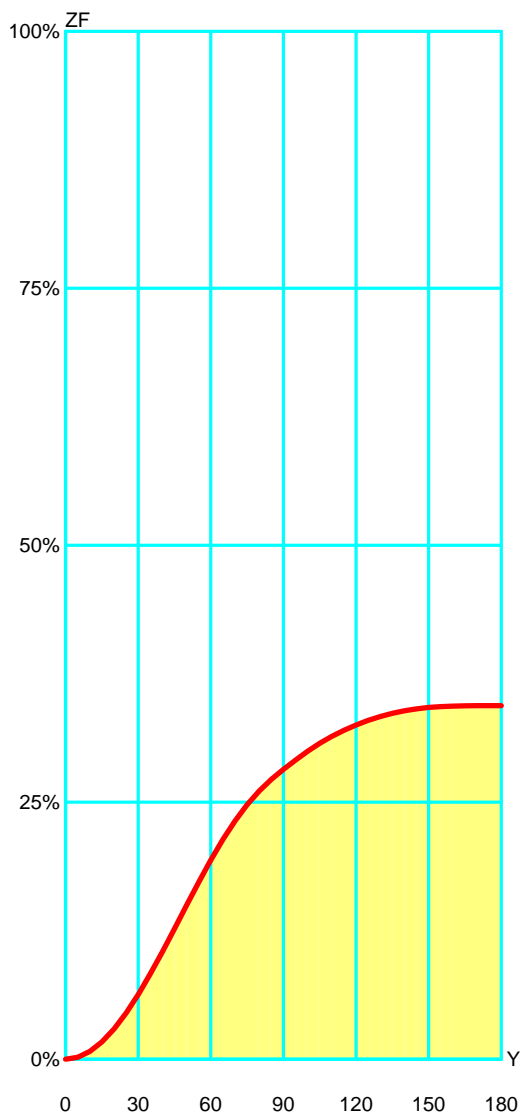
Zonal Flux per 1000 Lumen

Y°	10	20	30	40	50	60	70	80	90	100	110	120	130	140	150	160	170	180
ZF(Y)	8	29	63	105	150	194	232	261	282	300	314	325	333	339	342	344	344	344

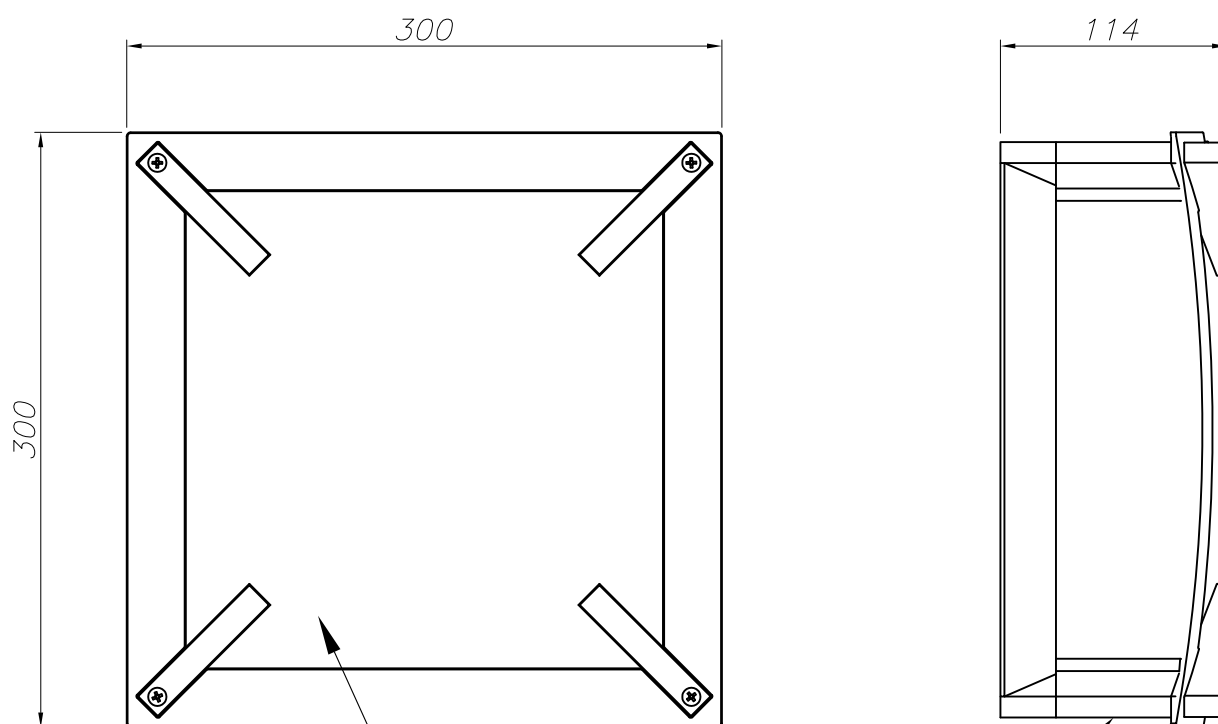
CIE Flux Codes

39 69 88 82 34

C.I.E.	6/6/6/7/7/7/7/7/7/7/7	LOR	34.39885 %
D DIN 5040	B21	ULOR	6.19585 %
F UTE	0.28 G + 0.06 T	DLOR	28.20299 %
B NBN	BZ 6 / 0.8 / BZ 5 / 1 / BZ 6	UFF	18.01180 %
RN	18.01180 %	DFF	81.98820 %
BLF	1.0	FFR	21.96878 %

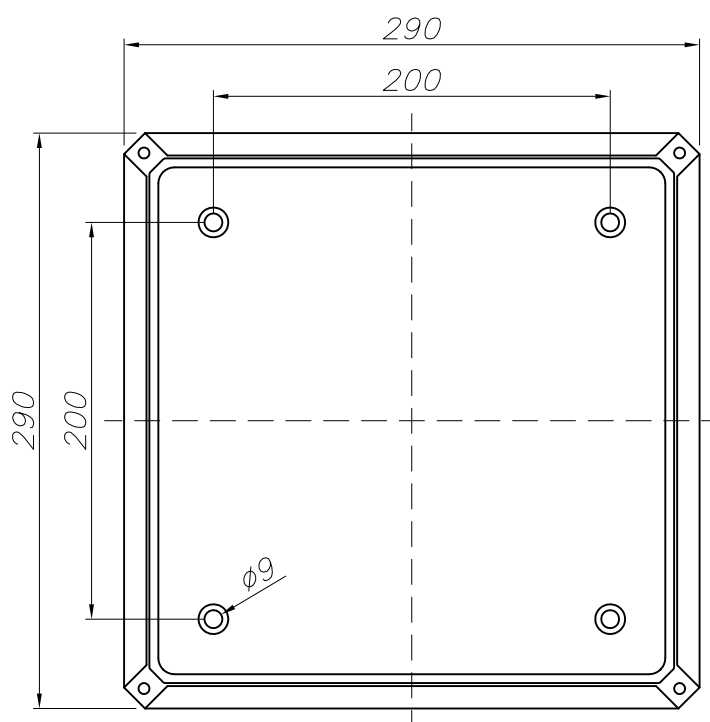


Zonal Flux				
Gamma °	Flux	Sum lm	Flux [%]	Sum [%]
0°	0.00	0.00	0.00%	0.00%
5°	1.92	1.92	0.56%	0.56%
10°	5.69	7.60	1.65%	2.21%
15°	9.26	16.87	2.69%	4.90%
20°	12.55	29.41	3.65%	8.55%
25°	15.48	44.90	4.50%	13.05%
30°	18.00	62.90	5.23%	18.29%
35°	20.05	82.95	5.83%	24.11%
40°	21.56	104.51	6.27%	30.38%
45°	22.49	126.99	6.54%	36.92%
50°	22.81	149.80	6.63%	43.55%
55°	22.44	172.24	6.52%	50.07%
60°	21.48	193.73	6.25%	56.32%
65°	20.04	213.77	5.83%	62.14%
70°	18.06	231.83	5.25%	67.39%
75°	15.73	247.56	4.57%	71.97%
80°	13.37	260.93	3.89%	75.85%
85°	11.29	272.22	3.28%	79.14%
90°	9.81	282.03	2.85%	81.99%
95°	9.04	291.07	2.63%	84.62%
100°	8.53	299.60	2.48%	87.10%
105°	7.71	307.31	2.24%	89.34%
110°	6.76	314.07	1.96%	91.30%
115°	5.92	319.99	1.72%	93.02%
120°	5.18	325.17	1.51%	94.53%
125°	4.47	329.64	1.30%	95.83%
130°	3.79	333.42	1.10%	96.93%
135°	3.11	336.54	0.91%	97.83%
140°	2.47	339.01	0.72%	98.55%
145°	1.88	340.89	0.55%	99.10%
150°	1.33	342.21	0.39%	99.48%
155°	0.85	343.06	0.25%	99.73%
160°	0.49	343.55	0.14%	99.87%
165°	0.24	343.79	0.07%	99.94%
170°	0.12	343.91	0.03%	99.98%
175°	0.06	343.97	0.02%	99.99%
180°	0.02	343.99	0.01%	100.00%



PC SEMITRASPARENTE MATE
SEMITRASPARENT MATT PC

ALUMINIO INYECTADO
INJECTED ALUMINIUM



PLANTILLA DE INSTALACI6N
INSTALLATION TEMPLATE

