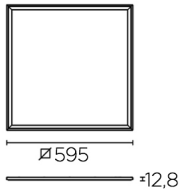
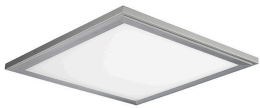


**15-5433-14-M1V0**

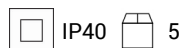
**ECOFIT Ceiling fixture**



**Description**

Square LED panel prepared for all kinds of ceilings and installations (recessed by direct replacement of panels in Armstrong ceilings, or recessed, suspended or on the surface with installation kits). Made in anodised extruded aluminium and PMMA diffuser. It incorporates an internal system to distribute the light, which guarantees its uniformity.

	Finish	Material
Structure	White	Aluminium
Diffuser	White	Methacrylate



**TECHNICAL CHARACTERISTICS**

**Light source**

Light source: LED  
 Light source power (W): 42W  
 Color temperature: LED neutral-white  
 4000K  
 CRI: 80  
 Qty Leds: 180  
 Bin / Grup: 40s

**GEAR**

Gear included: Yes, electronic  
 Voltage / Frequency:  
 100-240VAC/50-60Hz

**Luminaire**

Warranty: 2 Years

**Logistics**

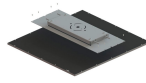
Energy Efficiency: LED A++  
 EAN Code: 8435381464912

Reference	Quantity	Volume (m3)	Weight Kg (packed)
15-5207-14-M1	1.00	0.0250	3.800
71-5207-00-00	1.00	0.0010	0.200

The photograph may not match the reference exactly. Please read the product description to identify the finish.

## OPTIONAL ACCESSORIES

---



### 71-4722-N3-00

Surface ceiling light kit

Structure material: Steel  
Dimensions: 60 x NA x 60  
Net Weight (Kg): 1.72



### 71-4723-N3-00

Suspension kit

Structure material: Steel  
Dimensions: NA x NA x NA  
Net Weight (Kg): 2.42



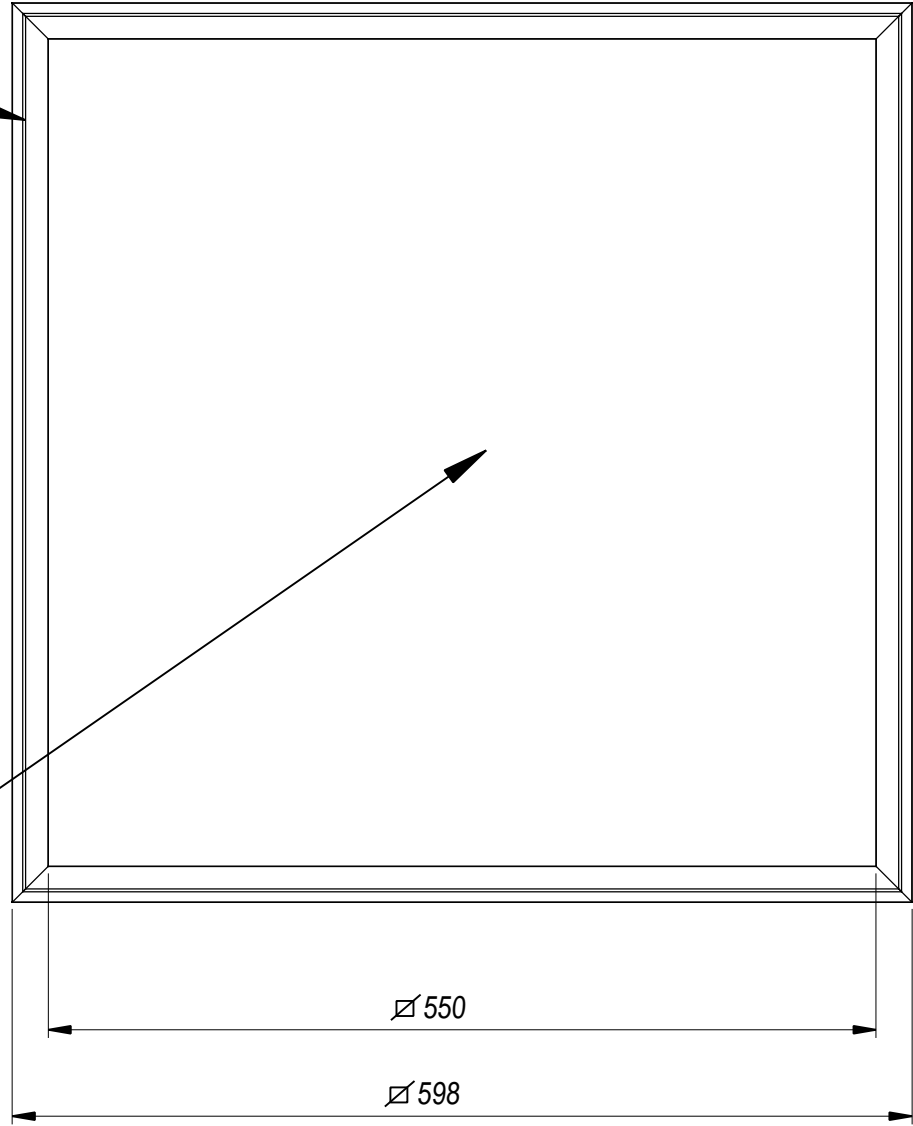
### 71-0558-54-00

Recessed kit ceiling light

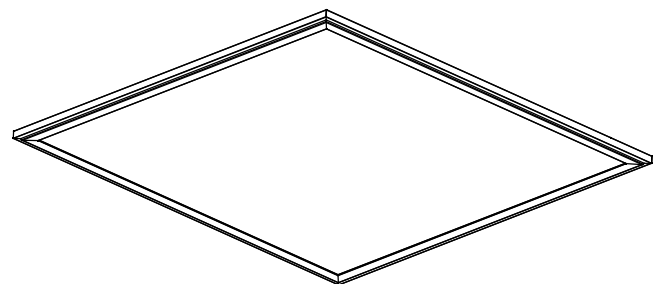
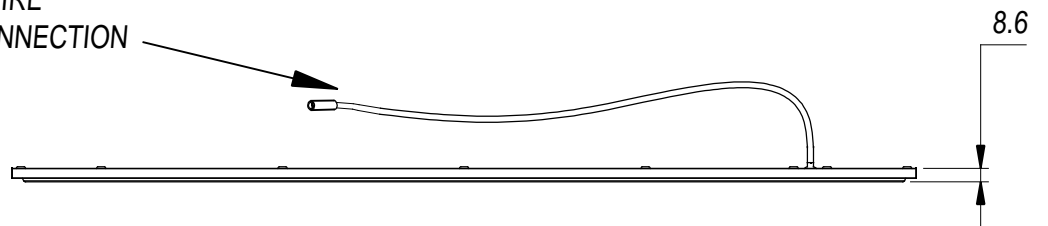
Structure material: Aluminium  
Dimensions: 60 x 0 x 60  
Net Weight (Kg): 0.8

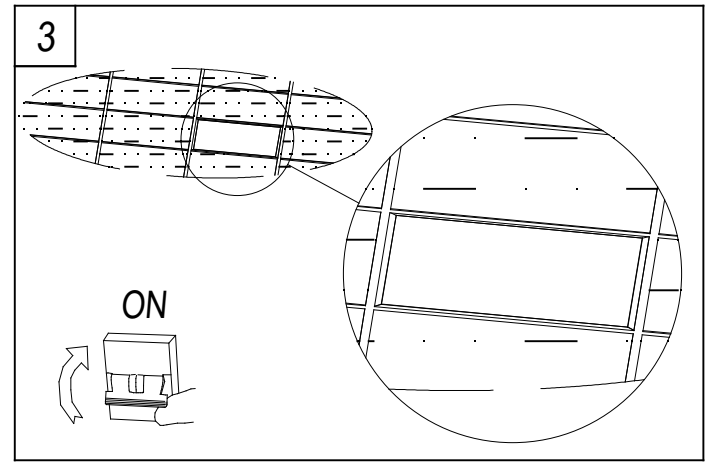
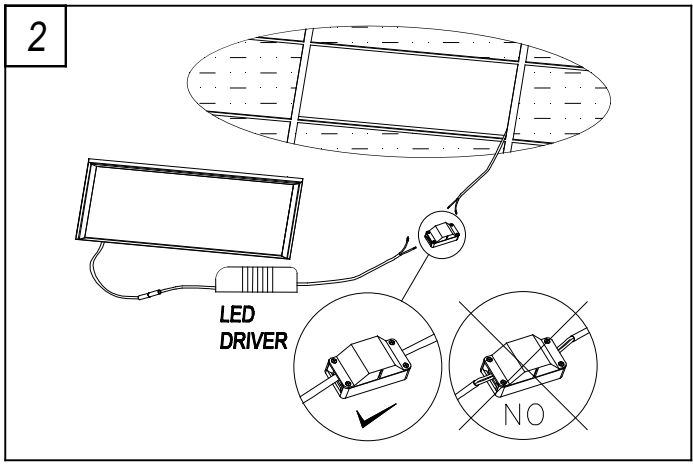
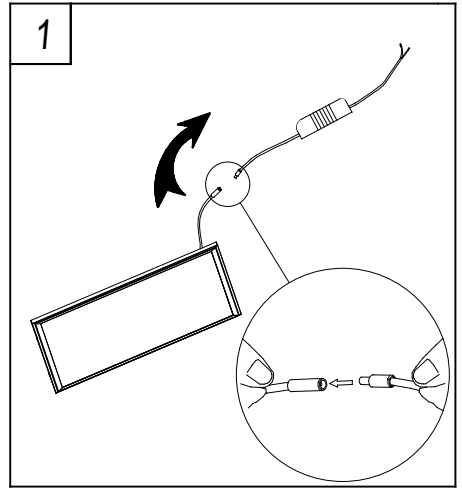
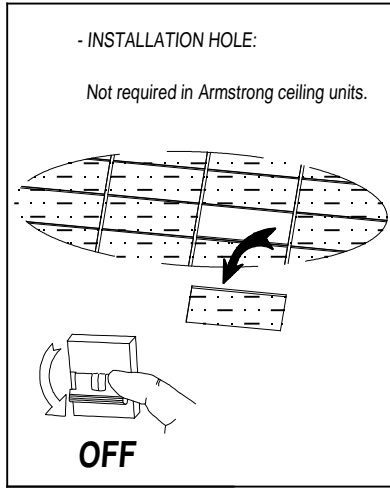
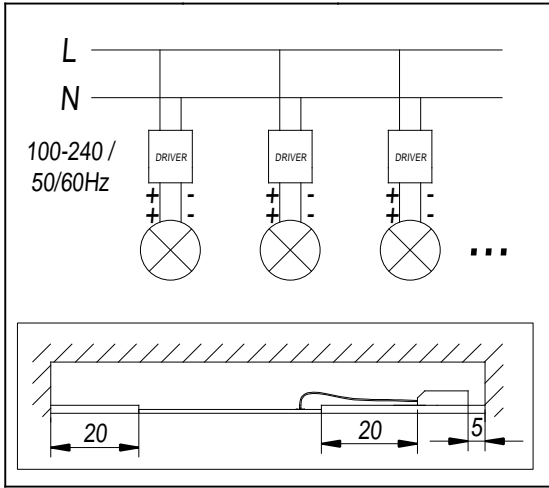
ALUMINUM  
ANODIZED

PMMA IN  
WHITE COLOR



ELECTRICAL WIRE  
WITH JACK CONNECTION





**SURFACE KIT**

