

15-4922-BY-M1

V0

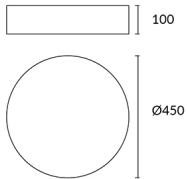
Bol ø450mm Ceiling fixture



Description

Ceiling fixture Bol ø450mm LED 19W 3000K Sand 1064lm

	Finish	Material
Structure	Sand	Steel
Diffuser	Sandblasted White	Textile Acrylic



TECHNICAL CHARACTERISTICS

Light source

Light source: LED
 Light source power (W): 19W
 Luminaire total power (W): 23W
 Color temperature: LED warm-white 3000K
 CRI: 80
 Photobiological risk: RG0
 Real Lumen: 1064
 Qty Leds: 108
 Lm/Real W: 46
 Life Time: 50.000h L80B20
 Bin / Grup: 30M
 MacAdam steps: 3
 UGR: 20.7
 Luminance C0°65°: 9881.8
 Luminance 90°65°: 10265.9

GEAR

Gear included: Yes, electronic
 Voltage / Frequency: 100-240V/50-60Hz
 Power Factor: 0.90
 Dimming protocol: ON-OFF

Luminaire

Warranty: 5 Years

Logistics

Energy Efficiency: LED A++
 EAN Code: 8435381426590
 Net Weight (Kg): 2.17
 Weight in Kg (packaged): 3.23
 Packing: 500 x 510 x 170
 Masterbox: 4

The photograph may not match the reference exactly. Please read the product description to identify the finish.

OPTIONAL ACCESSORIES



71-4695-81-81

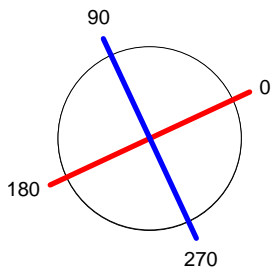
Suspension kit

Structure material: Steel
Dimensions: 200 x NA x 1300
Net Weight (Kg): 0.56

Luminaire		Measur.		Lamp	
Code	15-4922	Code	15-4922	Code	15-4922
Name	CEILING LAMP	Name	CEILING LAMP	Number	1
Line	Eulumdat	Date	02-04-2015	Position	
Efficiency	100.00%	Coordinate system	CG	Total Flux	1064.40 lm
Maximum value	367.70 cd	Position	C=0.00 G=0.00	Asymmetrical	
Round Luminaire	Diam.	200 mm	Height	1 mm	
Round Luminous Area	Diam.	200 mm	Height	0 mm	
Horizontal Luminous Area	0.031416 m2	Emitting area on Plane 180°	0.000000 m2		
Emitting area on Plane 0°	0.000000 m2	Emitting area on Plane 270°	0.000000 m2		
Emitting area on Plane 90°	0.000000 m2	Glare area at 76°	0.007600 m2		
Symmetry Type	Asymmetrical	Maximum Gamma Angle	90		
Measurement Distance	0.00	Measurement Flux	1064.40 lm		
Operator		Source voltage			
Temperature	25.00 °C	Source current			
Humidity	60.00 %	Photocell			
Notes					

Line		Code		Luminaire Lamps		Flux [lm]	Pow. [W]	Q.ty
Eulumdat		15-4922		Name		1064.40	20.90	1
C.I.E.	46 78 95 100 100			15-4922 - 20.90 W				
F UTE	1.00 E			D DIN 5040	A30			
				B NBN	BZ 5			

Diam=200mm



C Halfplanes

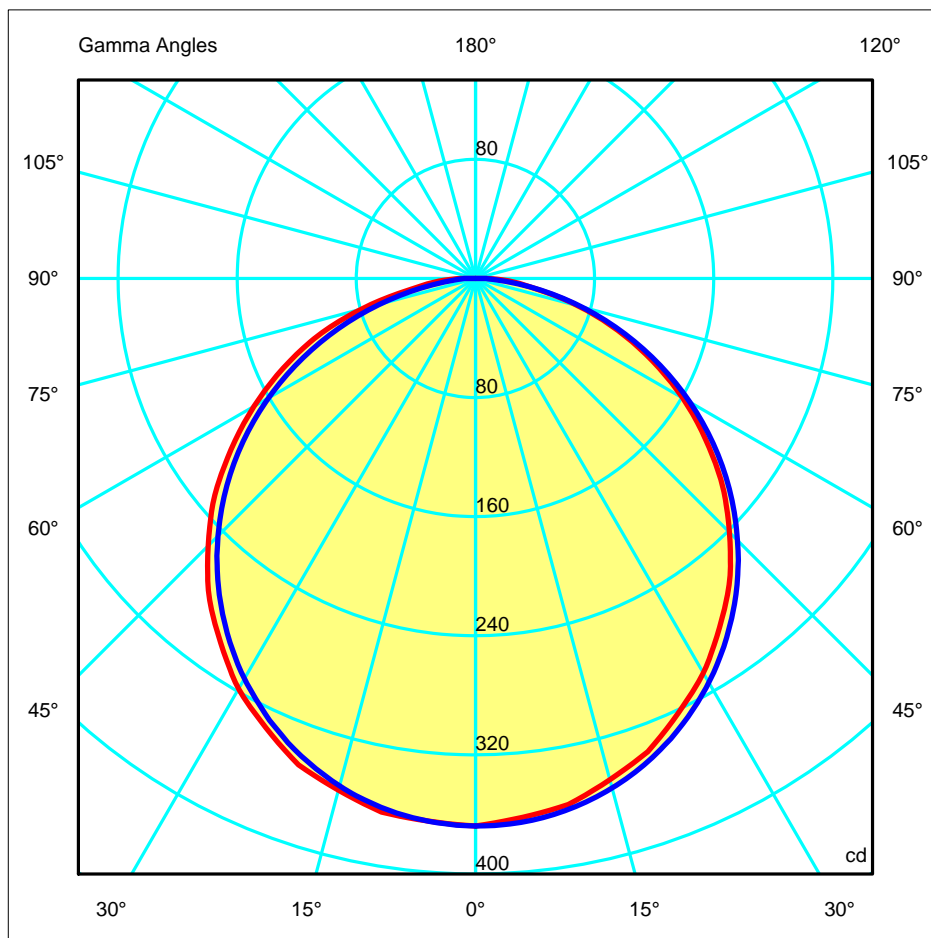
180.0 — 0.0 (Red line)

270.0 — 90.0 (Blue line)

ULOR 0.00 %

DLOR 100.00 %

RN 0.00 %

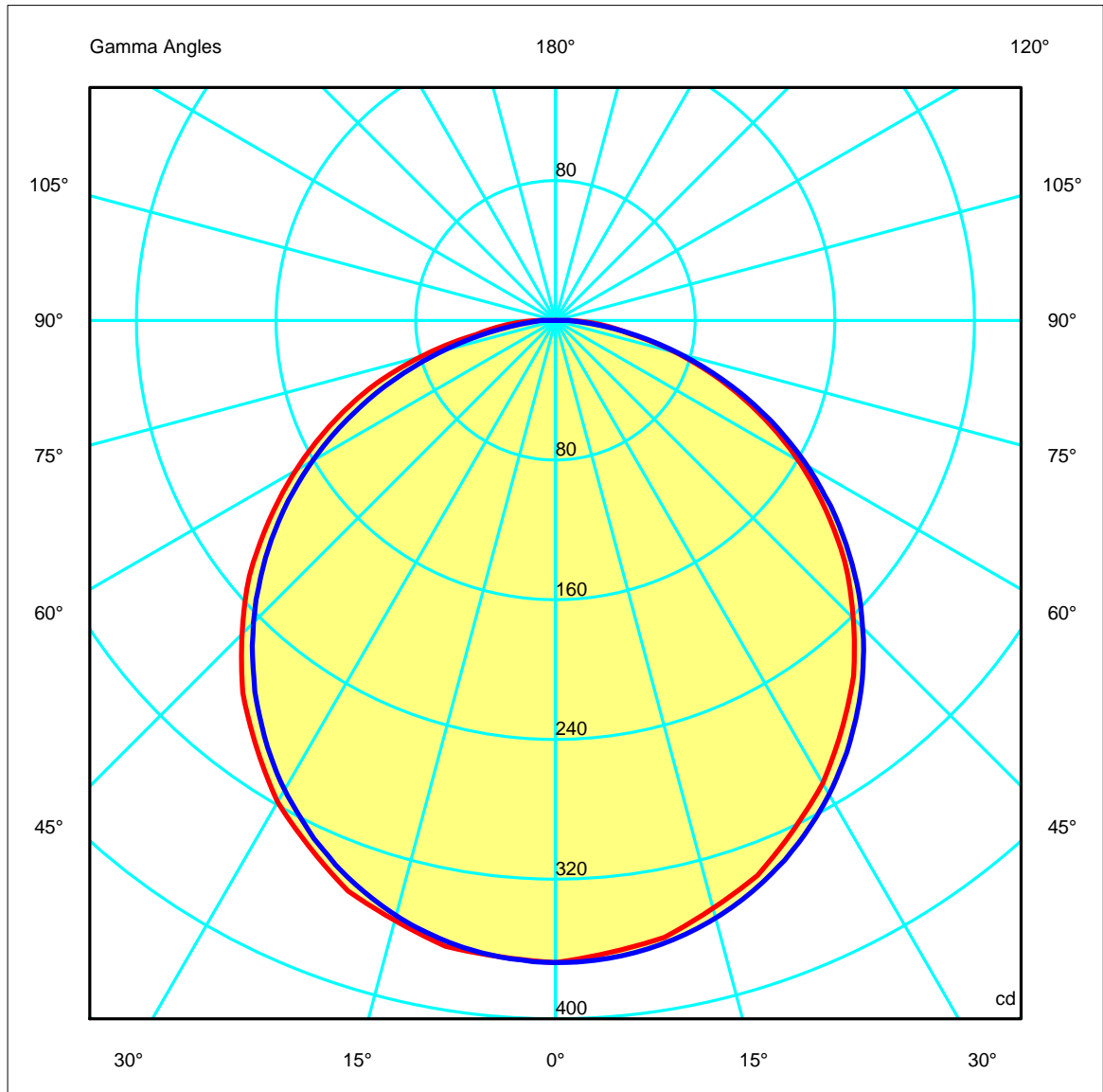
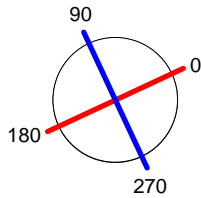


Luminaire		Measur.		Lamp	
Code	15-4922	Code	15-4922	Code	15-4922
Name	CEILING LAMP	Name	CEILING LAMP	Number	1
Line	Eulumat	Date	02-04-2015	Position	
Efficiency	100.00%	Coordinate system	CG	Total Flux	1064.40 lm

Diam=200mm

C Halfplanes

180.0 ——— 0.0
 270.0 ——— 90.0



Luminaire

 Code 15-4922
 Name CEILING LAMP
 Line Eulumdat

Measuram.

 Code 15-4922
 Name CEILING LAMP
 Date 02-04-2015

Lamp

 Code 15-4922
 Number 1
 Position

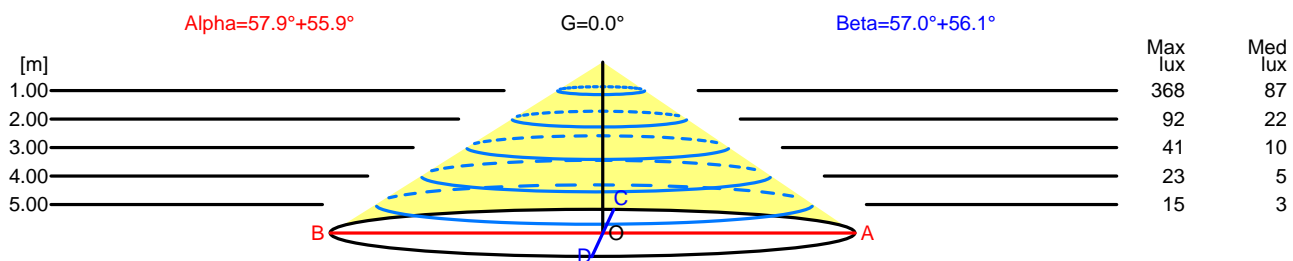
Efficiency	100.00%	Coordinate system	CG	Total Flux	1064.40 lm
------------	---------	-------------------	----	------------	------------

Width at 50.00 % of Max Intensity

H[m]	1.00	2.00	3.00	4.00	5.00	H[m]	1.00	2.00	3.00	4.00	5.00
OA	1.48	2.95	4.43	5.91	7.38	OC	1.54	3.08	4.62	6.15	7.69
OB	1.59	3.19	4.78	6.38	7.97	OD	1.49	2.98	4.47	5.96	7.45

Luminous Intensities [cd]

	0	5	15	25	35	45	55	65	75	85
OA	367.70	363.25	348.50	322.15	285.85	241.15	188.80	131.20	71.85	25.05
OB	367.70	365.80	355.75	333.00	298.50	253.90	200.50	142.40	79.35	27.60
OC	367.70	366.50	354.20	329.80	294.30	248.70	195.70	136.30	73.40	19.50
OD	367.70	365.80	352.80	327.40	290.70	244.60	190.40	129.10	66.00	16.20



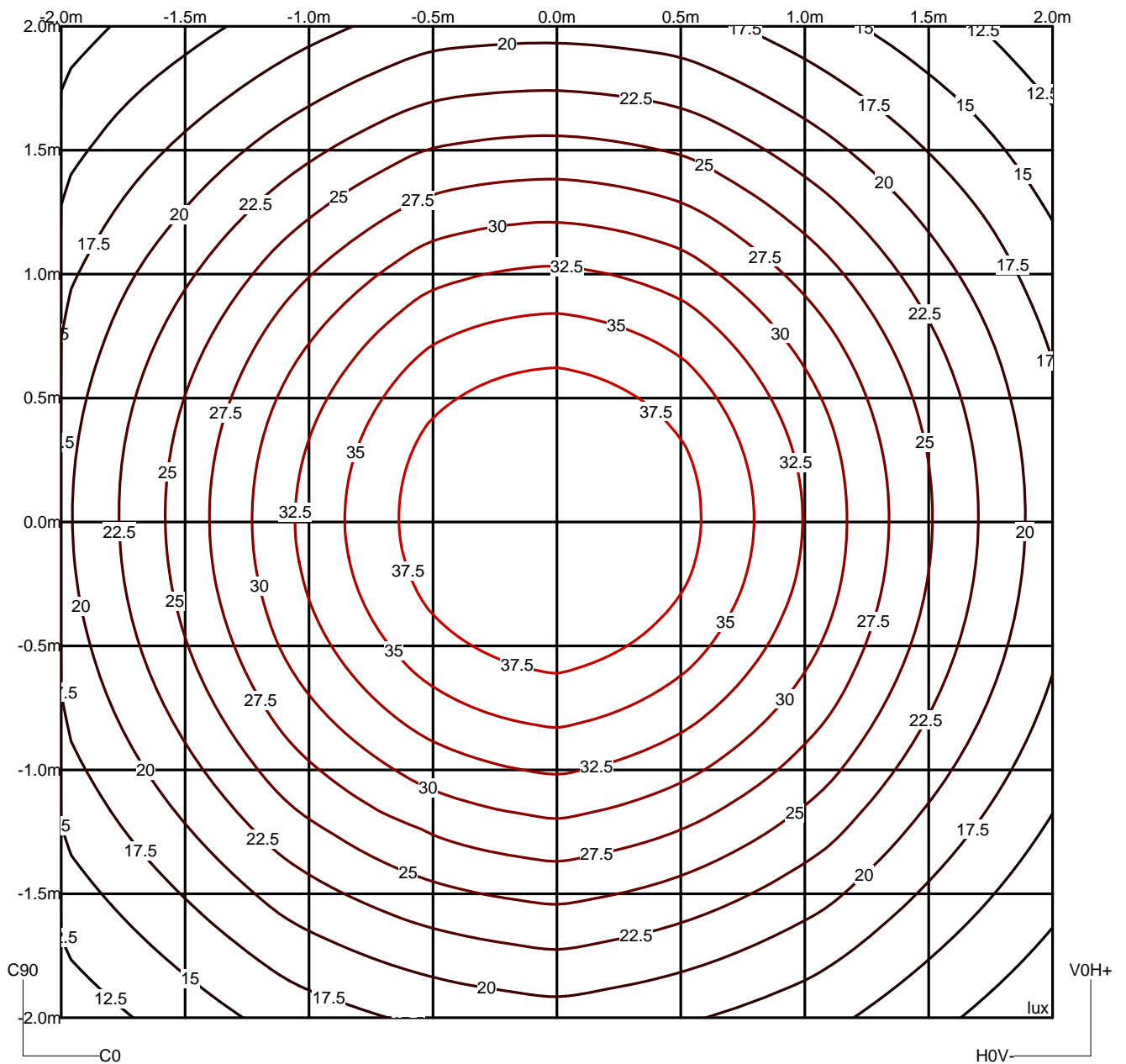
H[m]	D[m]	Max lux	Med lux	Alpha=57.9°+55.9°	G=0.0
1.00	3.07	368	87		
2.00	6.14	92	22		
3.00	9.21	41	10		
4.00	12.28	23	5		
5.00	15.35	15	3		

H[m]	D[m]	Max lux	Med lux	Beta=56.1°+57.0°	G=0.0
1.00	3.03	368	87		
2.00	6.06	92	22		
3.00	9.09	41	10		
4.00	12.11	23	5		
5.00	15.14	15	3		

Luminaire		Measur.		Lamp	
Code	15-4922	Code	15-4922	Code	15-4922
Name	CEILING LAMP	Name	CEILING LAMP	Number	1
Line	Eulumdat	Date	02-04-2015	Position	
Efficiency	100.00%	Coordinate system	CG	Total Flux	1064.40 lm

Isolux (Floor)

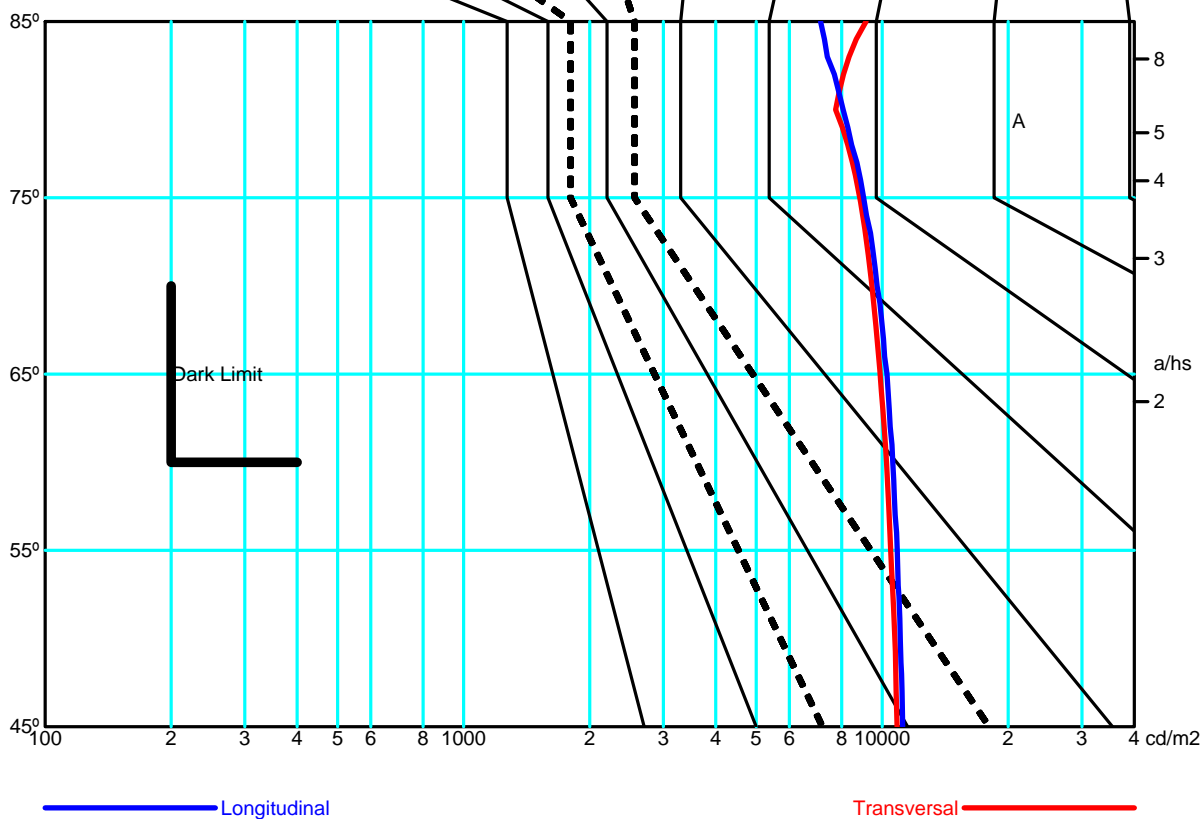
Luminaire position X=0.00m Y=0.00m Z=3.00m



Luminaire		Measur.		Lamp	
Code	15-4922	Code	15-4922	Code	15-4922
Name	CEILING LAMP	Name	CEILING LAMP	Number	1
Line	Eulumdat	Date	02-04-2015	Position	
Efficiency	100.00%	Coordinate system	CG	Total Flux	1064.40 lm

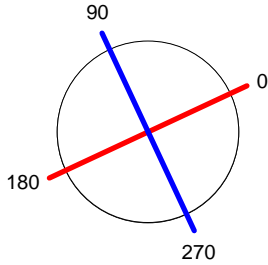
		Average Luminance [cd/m ²]									
		45°	50°	55°	60°	65°	70°	75°	80°	85°	
0.0°	10856	10731	10478	10243	9882	9446	8836	7736	9149	---	
90.0°	11195	11043	10860	10600	10266	9716	9027	8066	7122	---	

Flush mounted or longitudinal view												
		Illumination(lx)										
A	A	2000	1000	750	500		<300				1.15	
B	1		2000	1500	1000	750	500	<300			1.5	
C					2000		1000	500	<300		1.85	
D	2						2000	1000	500	<300	2.2	
E	3							2000	1000	500	<300	2.55



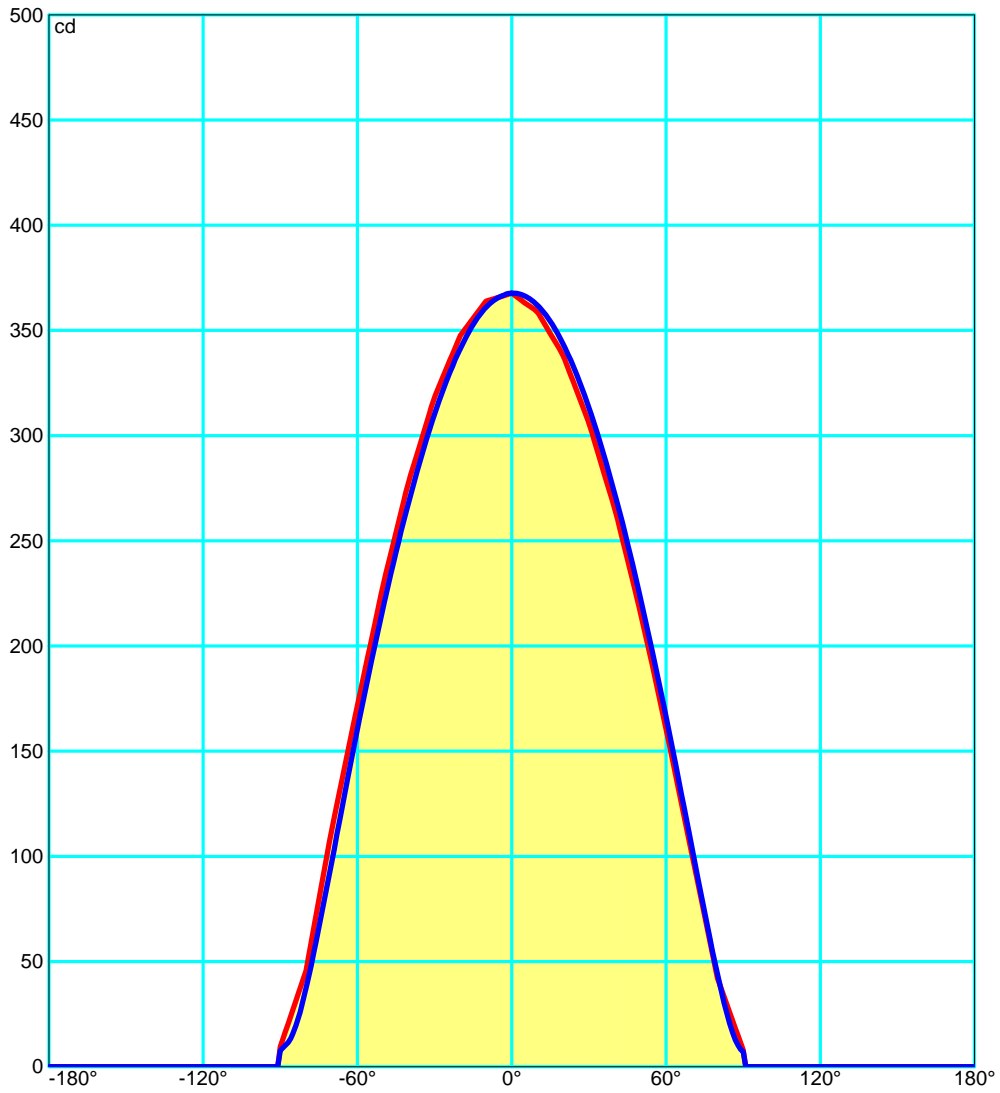
Luminaire		Measur.		Lamp	
Code	15-4922	Code	15-4922	Code	15-4922
Name	CEILING LAMP	Name	CEILING LAMP	Number	1
Line	Eulumat	Date	02-04-2015	Position	
Efficiency	100.00%	Coordinate system	CG	Total Flux	1064.40 lm

Diam=200mm



C Halfplanes

180.0 ———— 0.0
 270.0 ———— 90.0



Luminaire		Measur.		Lamp	
Code	15-4922	Code	15-4922	Code	15-4922
Name	CEILING LAMP	Name	CEILING LAMP	Number	1
Line	Eulumdat	Date	02-04-2015	Position	
Efficiency	100.00%	Coordinate system	CG	Total Flux	1064.40 lm

UGR
S = 0.250

Reflectancies										
Ceiling/Cavity	0.7	0.7	0.5	0.5	0.3	0.7	0.7	0.5	0.5	0.3
Walls	0.5	0.3	0.5	0.3	0.3	0.5	0.3	0.5	0.3	0.3
WorkingPlane	0.2	0.2	0.2	0.2	0.2	0.2	0.2	0.2	0.2	0.2
RoomDimensions	ViewedCrosswise					ViewedEndwise				
x=2H y=2H	21.0	22.3	21.3	22.6	22.3	20.5	21.8	20.8	22.1	22.3
x=2H y=3H	22.8	24.0	23.1	24.2	23.8	22.0	23.3	22.4	23.5	23.8
x=2H y=4H	23.5	24.6	23.8	24.9	24.4	22.6	23.8	23.0	24.1	24.4
x=2H y=6H	24.0	25.0	24.3	25.3	24.7	23.0	24.1	23.4	24.4	24.7
x=2H y=8H	24.2	25.2	24.5	25.5	24.8	23.1	24.1	23.5	24.5	24.8
x=2H y=12H	24.4	25.3	24.7	25.7	24.8	23.2	24.2	23.6	24.5	24.8
x=4H y=2H	21.8	22.9	22.1	23.2	23.0	21.3	22.4	21.6	22.7	23.0
x=4H y=3H	23.7	24.7	24.1	25.0	24.6	23.0	24.0	23.4	24.3	24.6
x=4H y=4H	24.6	25.4	25.0	25.8	25.3	23.7	24.6	24.1	24.9	25.3
x=4H y=6H	25.2	25.9	25.6	26.3	25.7	24.2	25.0	24.6	25.3	25.7
x=4H y=8H	25.4	26.1	25.9	26.5	25.8	24.3	25.0	24.8	25.4	25.8
x=4H y=12H	25.7	26.3	26.1	26.7	25.9	24.4	25.1	24.9	25.5	25.9
x=8H y=4H	24.9	25.6	25.4	26.0	25.6	24.1	24.8	24.5	25.2	25.6
x=8H y=6H	25.7	26.3	26.1	26.7	26.2	24.7	25.3	25.2	25.7	26.2
x=8H y=8H	26.0	26.5	26.5	27.0	26.3	24.9	25.4	25.4	25.9	26.3
x=8H y=12H	26.4	26.8	26.9	27.3	26.5	25.1	25.5	25.6	26.0	26.5
x=12H y=4H	24.9	25.6	25.4	26.0	25.6	24.1	24.7	24.5	25.1	25.6
x=12H y=6H	25.8	26.3	26.2	26.7	26.2	24.8	25.3	25.3	25.7	26.2
x=12H y=8H	26.1	26.6	26.6	27.0	26.4	25.0	25.5	25.5	25.9	26.4

Luminaire	Measur.	Lamp
Code 15-4922	Code 15-4922	Code 15-4922
Name CEILING LAMP	Name CEILING LAMP	Number 1
Line Eulumdat	Date 02-04-2015	Position

Efficiency 100.00%	Coordinate system CG	Total Flux 1064.40 lm
--------------------	----------------------	-----------------------

Total Flux=1064.40 Luminaire Flux=1064.40

RI	0.60	0.80	1.00	1.25	1.50	2.00	2.50	3.00	4.00	5.00	10.00	20.00
DRR	0.30	0.39	0.46	0.53	0.59	0.67	0.73	0.77	0.82	0.86	0.92	0.96
RC	5	5	5	5	5	5	5	5	5	5	5	5

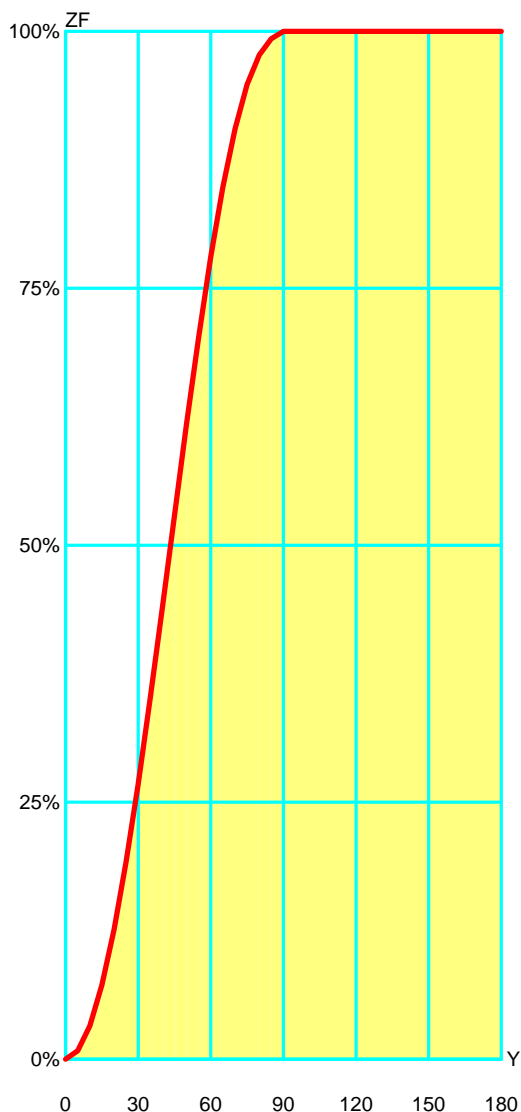
Zonal Flux per 1000 Lumen

Y°	10	20	30	40	50	60	70	80	90	100	110	120	130	140	150	160	170	180
ZF(Y)	33	126	268	440	618	781	905	977	1000	1000	1000	1000	1000	1000	1000	1000	1000	1000

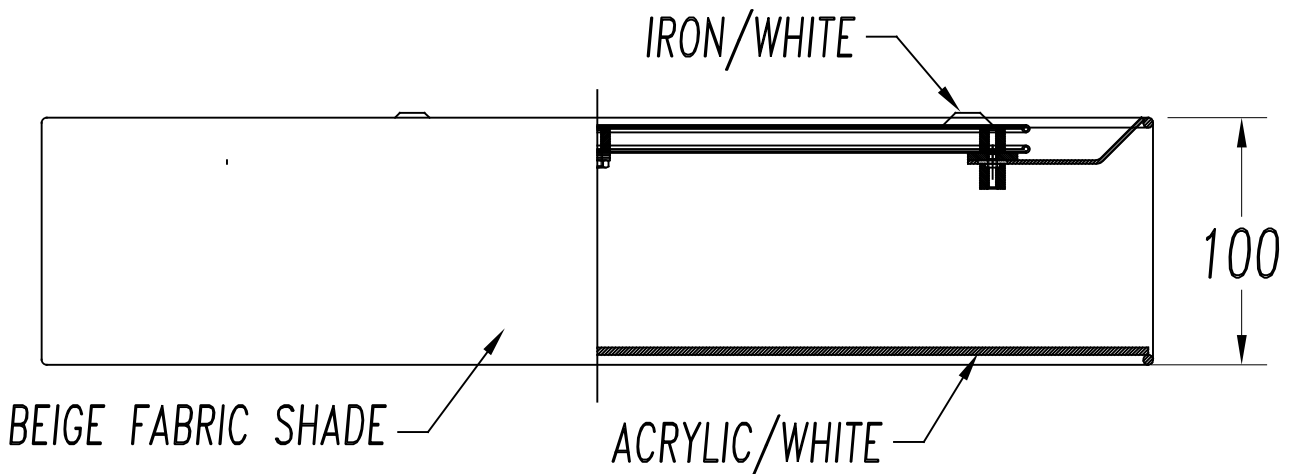
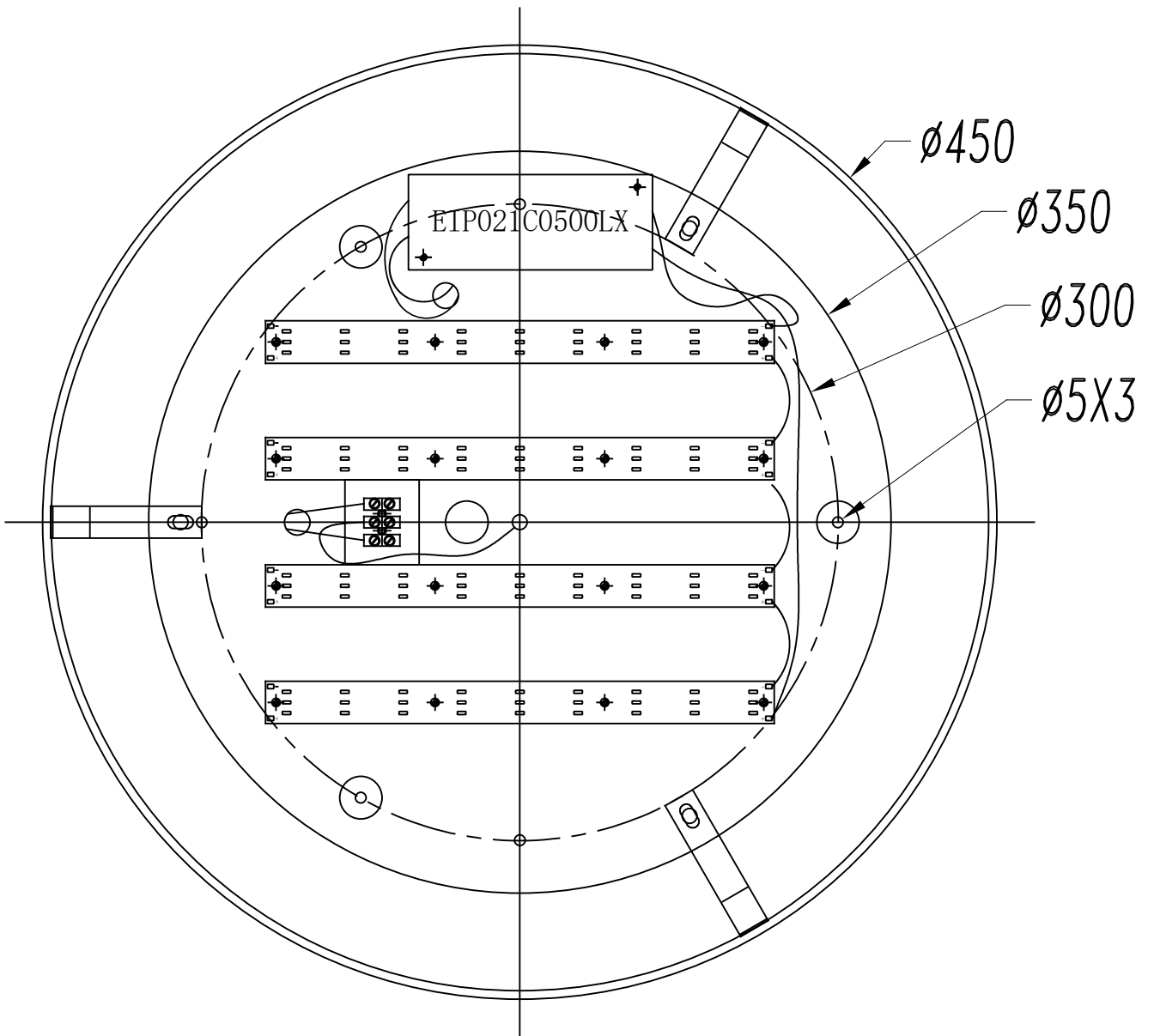
CIE Flux Codes

46 78 95 100 100

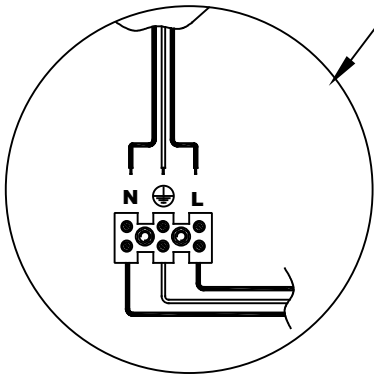
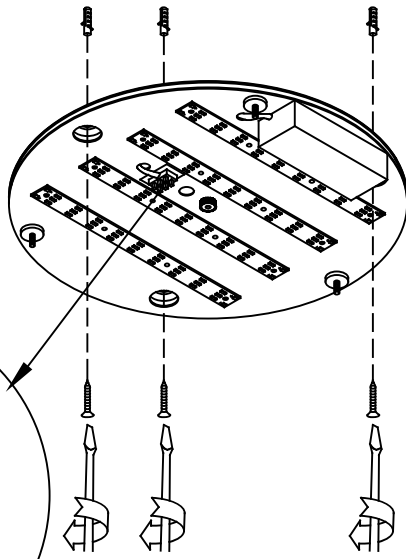
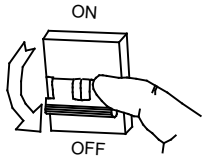
C.I.E.	5	LOR	99.99970 %
D DIN 5040	A30	ULOR	0.00000 %
F UTE	1.00 E	DLOR	99.99970 %
B NBN	BZ 5	UFF	0.00000 %
RN	0.00000 %	DFF	100.00000 %
BLF	1.0	FFR	0.00000 %



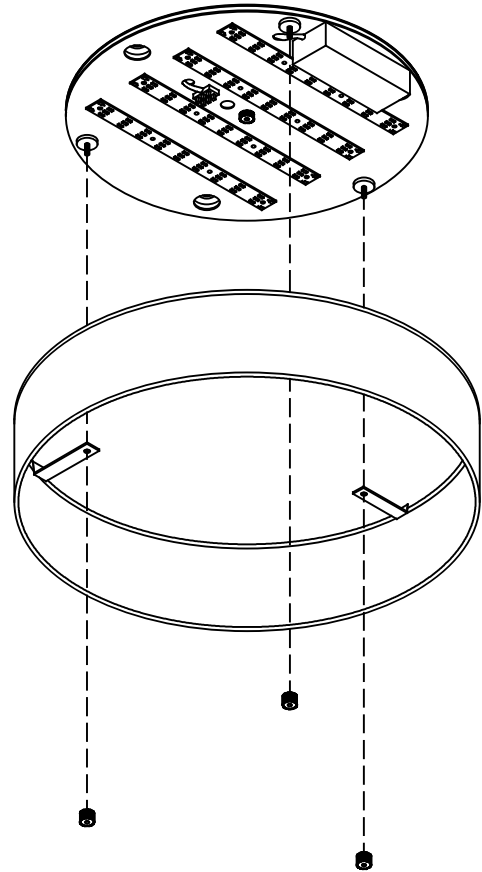
Zonal Flux				
Gamma °	Flux	Sum lm	Flux [%]	Sum [%]
0°	0.00	0.00	0.00%	0.00%
5°	8.22	8.22	0.82%	0.82%
10°	24.37	32.59	2.44%	3.26%
15°	39.74	72.33	3.97%	7.23%
20°	53.73	126.06	5.37%	12.61%
25°	65.97	192.03	6.60%	19.20%
30°	75.95	267.98	7.60%	26.80%
35°	83.46	351.44	8.35%	35.14%
40°	88.15	439.59	8.82%	43.96%
45°	90.00	529.59	9.00%	52.96%
50°	88.80	618.40	8.88%	61.84%
55°	84.68	703.08	8.47%	70.31%
60°	77.63	780.71	7.76%	78.07%
65°	68.08	848.79	6.81%	84.88%
70°	56.36	905.15	5.64%	90.52%
75°	43.06	948.21	4.31%	94.82%
80°	28.77	976.98	2.88%	97.70%
85°	15.81	992.79	1.58%	99.28%
90°	7.21	1000.00	0.72%	100.00%
95°	0.00	1000.00	0.00%	100.00%
100°	0.00	1000.00	0.00%	100.00%
105°	0.00	1000.00	0.00%	100.00%
110°	0.00	1000.00	0.00%	100.00%
115°	0.00	1000.00	0.00%	100.00%
120°	0.00	1000.00	0.00%	100.00%
125°	0.00	1000.00	0.00%	100.00%
130°	0.00	1000.00	0.00%	100.00%
135°	0.00	1000.00	0.00%	100.00%
140°	0.00	1000.00	0.00%	100.00%
145°	0.00	1000.00	0.00%	100.00%
150°	0.00	1000.00	0.00%	100.00%
155°	0.00	1000.00	0.00%	100.00%
160°	0.00	1000.00	0.00%	100.00%
165°	0.00	1000.00	0.00%	100.00%
170°	0.00	1000.00	0.00%	100.00%
175°	0.00	1000.00	0.00%	100.00%
180°	0.00	1000.00	0.00%	100.00%



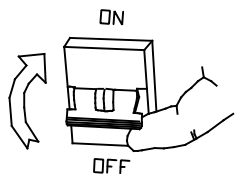
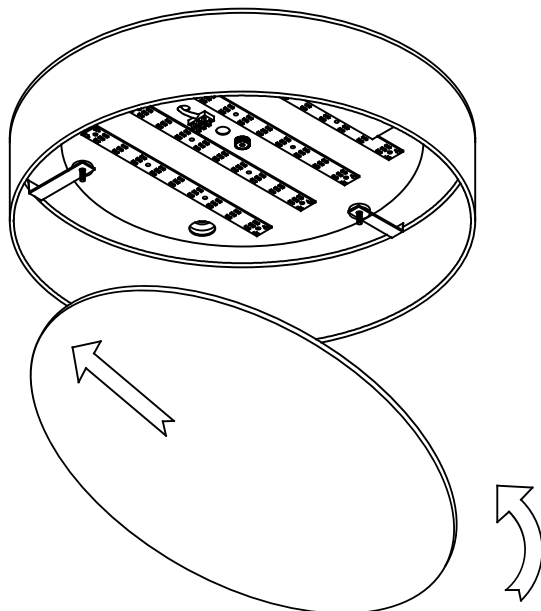
1



2



3



4

