

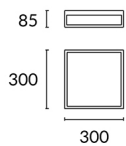
## FLOW Ceiling fixture

Designer: Josep Patsi

**Description**

Ceiling fixture FLOW E27 18W Chrome 1131lm

	Finish	Material
<b>Structure</b>	Chrome	Steel
<b>Diffuser</b>	Tinted	Glass

**TECHNICAL CHARACTERISTICS****Light source**

Lampholder: 0 x E27  
 Light source power (W): MAX 18W  
 Luminaire total power (W): 54W  
 Lamp maximum dimension: 130/85 mm  
 Real Lumen: 1131  
 Lm/Real W: 21  
 UGR: 14.7  
 Recommended lamp: E27

**GEAR**

Voltage / Frequency:  
 220-240V/50-60Hz

**Luminaire**

Warranty: 5 Years

**Logistics**

Energy Efficiency: NO BULB  
 EAN Code: 8435381412111  
 Net Weight (Kg): 2.85  
 Weight in Kg (packaged): 3.6  
 Packing: 365 x 170 x 365  
 Masterbox: 3

**Smart Compatible**

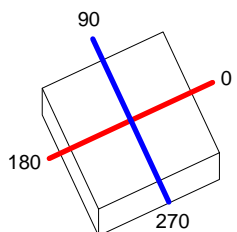
71-8219-00-00: LightForLife  
 RGBW E27 Light Bulb

The photograph may not match the reference exactly. Please read the product description to identify the finish.

<b>Luminaire</b>		<b>Measur.</b>		<b>Lamp</b>		
Code	15-3213-21-B4	Code	15-3213-21-B4	Code	ECOClassic 42W 230	
Name	Plafon FLOW 3x46W E27 dif opal	Name	Plafon FLOW 3x46W E27 dif opal	Number	3	
Line	Eulumdat	Date	23-07-2014	Position		
Efficiency	59.83%	Coordinate system	CG	Total Flux	1890.00 lm	
Maximum value	263.51 cd	Position	C=30.00 G=10.00	Double Symmetrical		
Rectangular Luminaire	Length	300 mm	Width	300 mm	Height	85 mm
Rectangular Luminous Area	Length	280 mm	Width	280 mm	Height	50 mm
Horizontal Luminous Area	0.078400 m2	Emitting area on Plane 180°		0.014000 m2		
Emitting area on Plane 0°	0.014000 m2	Emitting area on Plane 270°		0.014000 m2		
Emitting area on Plane 90°	0.014000 m2	Glare area at 76°		0.032551 m2		
Symmetry Type	Double Symmetrical	Maximum Gamma Angle		180		
Measurement Distance	0.00	Measurement Flux		1890.00 lm		
Operator	Asselum T2	Source voltage				
Temperature	25.00 °C	Source current				
Humidity	60.00 %	Photocell				
Notes						

Luminaire Lamps						
Line	Code	Name	Flux [lm]	Pow. [W]	Q.ty	
Eulumdat	ECOClassic 42W 230	ECOClassic 42W 230 - 42.00 W	630.00	42.00	3	
C.I.E.	40 68 88 84 60	D DIN 5040	B21			
F UTE	0.50 G + 0.10 T	B NBN	BZ 5 / 1 / BZ 6			

300mm x 300mm



**C Halfplanes**

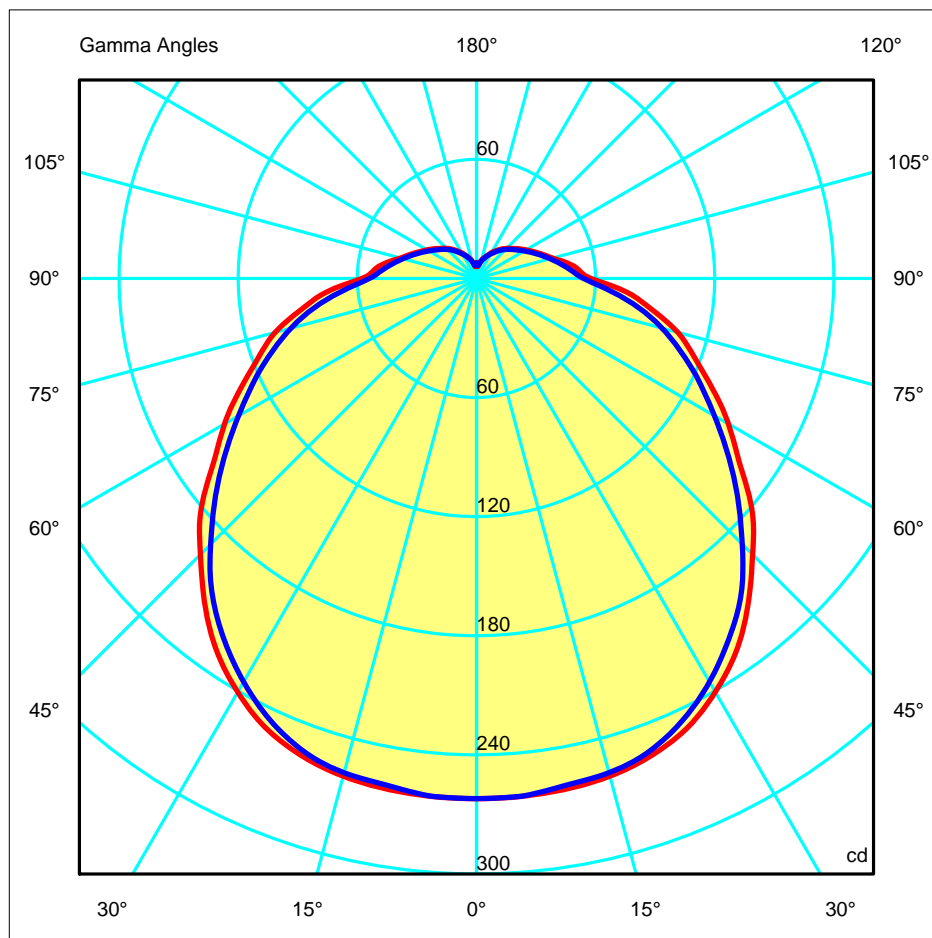
180.0 — 0.0

270.0 — 90.0

ULOR 9.73 %

DLOR 50.11 %

RN 16.26 %

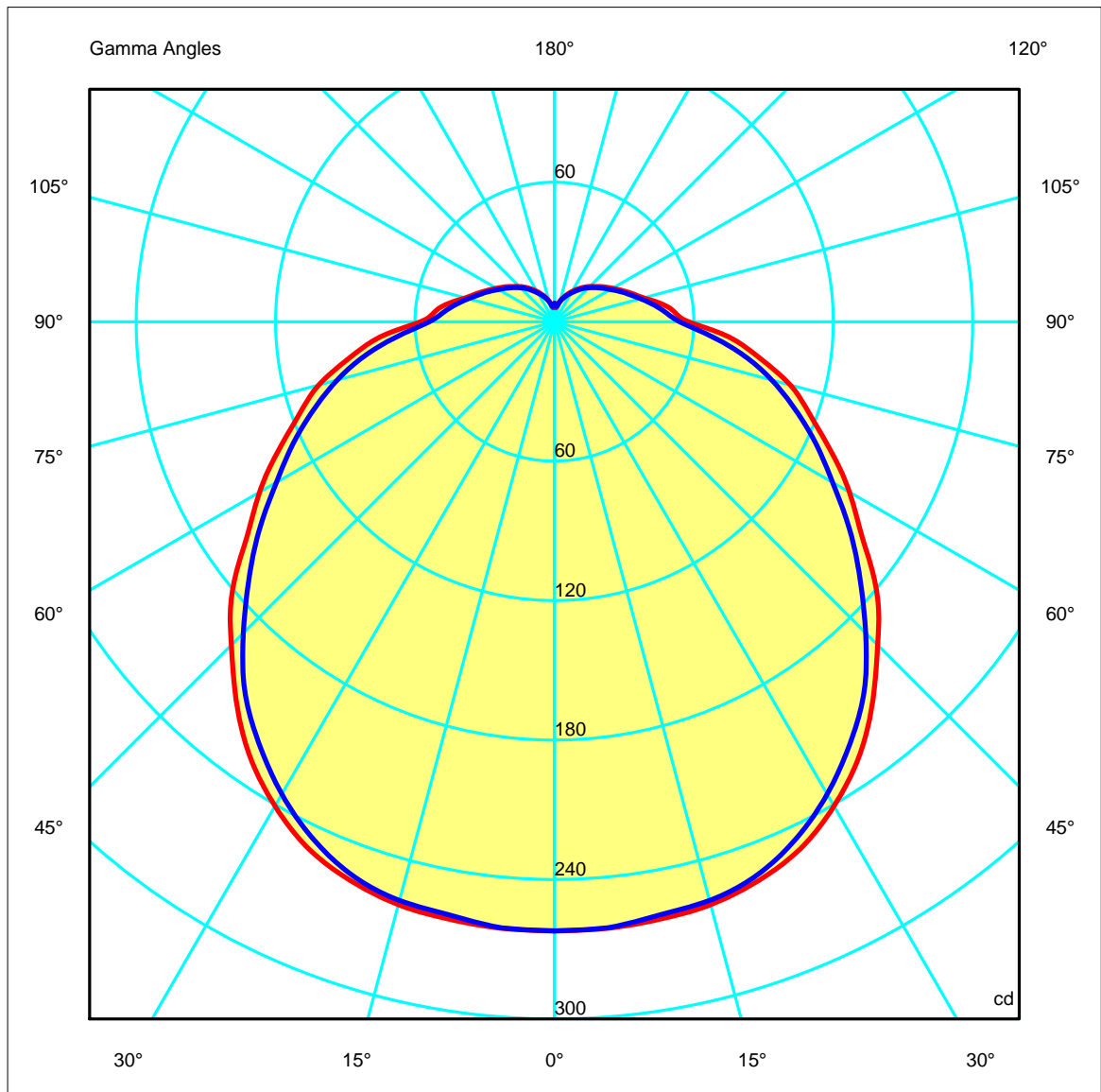
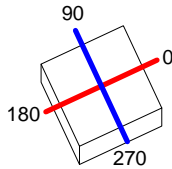


<b>Luminaire</b>		<b>Measur.</b>		<b>Lamp</b>	
Code	15-3213-21-B4	Code	15-3213-21-B4	Code	ECOClassic 42W 230
Name	Plafon FLOW 3x46W E27 dif opal	Name	Plafon FLOW 3x46W E27 dif opal	Number	3
Line	Eulumat	Date	23-07-2014	Position	
Efficiency	59.83%	Coordinate system	CG	Total Flux	1890.00 lm

300mm x 300mm

C Halfplanes

180.0 ——— 0.0  
 270.0 ——— 90.0



**Luminaire**

Code 15-3213-21-B4  
 Name Plafon FLOW 3x46W E27 dif opal  
 Line Eulumdat

**Measur.**

Code 15-3213-21-B4  
 Name Plafon FLOW 3x46W E27 dif opal  
 Date 23-07-2014

**Lamp**

Code ECOClassic 42W 230  
 Number 3  
 Position

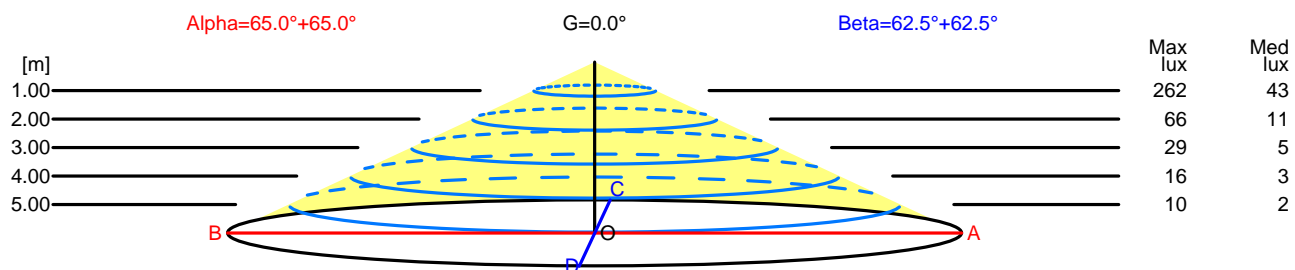
Efficiency 59.83%      Coordinate system CG      Total Flux 1890.00 lm

## Width at 50.00 % of Max Intensity

H[m]	1.00	2.00	3.00	4.00	5.00	H[m]	1.00	2.00	3.00	4.00	5.00
OA	2.15	4.29	6.44	8.59	10.74	OC	1.92	3.84	5.76	7.68	9.60
OB	2.15	4.29	6.44	8.59	10.74	OD	1.92	3.84	5.76	7.68	9.60

## Luminous Intensities [ cd ]

	0	5	15	25	35	45	55	65	75	85
OA	262.04	261.96	259.64	250.25	228.46	196.69	161.68	131.10	105.01	75.35
OB	262.04	261.96	259.64	250.25	228.46	196.69	161.68	131.10	105.01	75.35
OC	262.04	261.76	257.75	245.62	221.62	189.34	154.81	124.13	96.81	66.83
OD	262.04	261.76	257.75	245.62	221.62	189.34	154.81	124.13	96.81	66.83



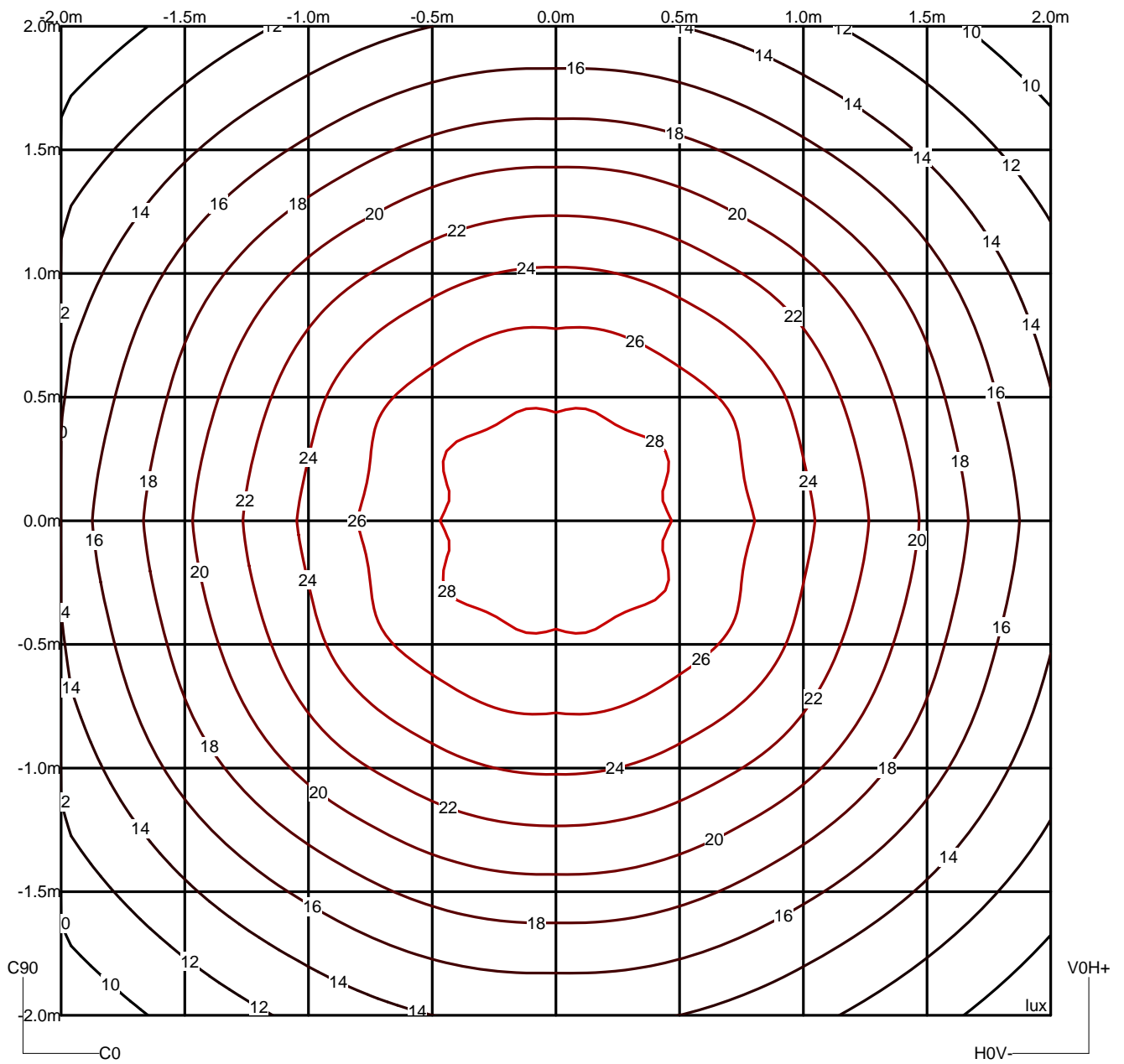
H[m]	D[m]	Max lux	Med lux	Alpha=65.0°+65.0°	G=0.0
1.00	4.29	262	43		
2.00	8.59	66	11		
3.00	12.88	29	5		
4.00	17.18	16	3		
5.00	21.47	10	2		

H[m]	D[m]	Max lux	Med lux	Beta=62.5°+62.5°	G=0.0
1.00	3.84	262	43		
2.00	7.68	66	11		
3.00	11.52	29	5		
4.00	15.36	16	3		
5.00	19.20	10	2		

<b>Luminaire</b>		<b>Measur.</b>		<b>Lamp</b>	
Code	15-3213-21-B4	Code	15-3213-21-B4	Code	ECOclassic 42W 230
Name	Plafon FLOW 3x46W E27 dif opal	Name	Plafon FLOW 3x46W E27 dif opal	Number	3
Line	Eulumdat	Date	23-07-2014	Position	
Efficiency	59.83%	Coordinate system	CG	Total Flux	1890.00 lm

Isolux (Floor)

Luminaire position X=0.00m Y=0.00m Z=3.00m



**Luminaire**

Code 15-3213-21-B4  
 Name Plafon FLOW 3x46W E27 dif opal  
 Line Eulumdat

**Measur.**

Code 15-3213-21-B4  
 Name Plafon FLOW 3x46W E27 dif opal  
 Date 23-07-2014

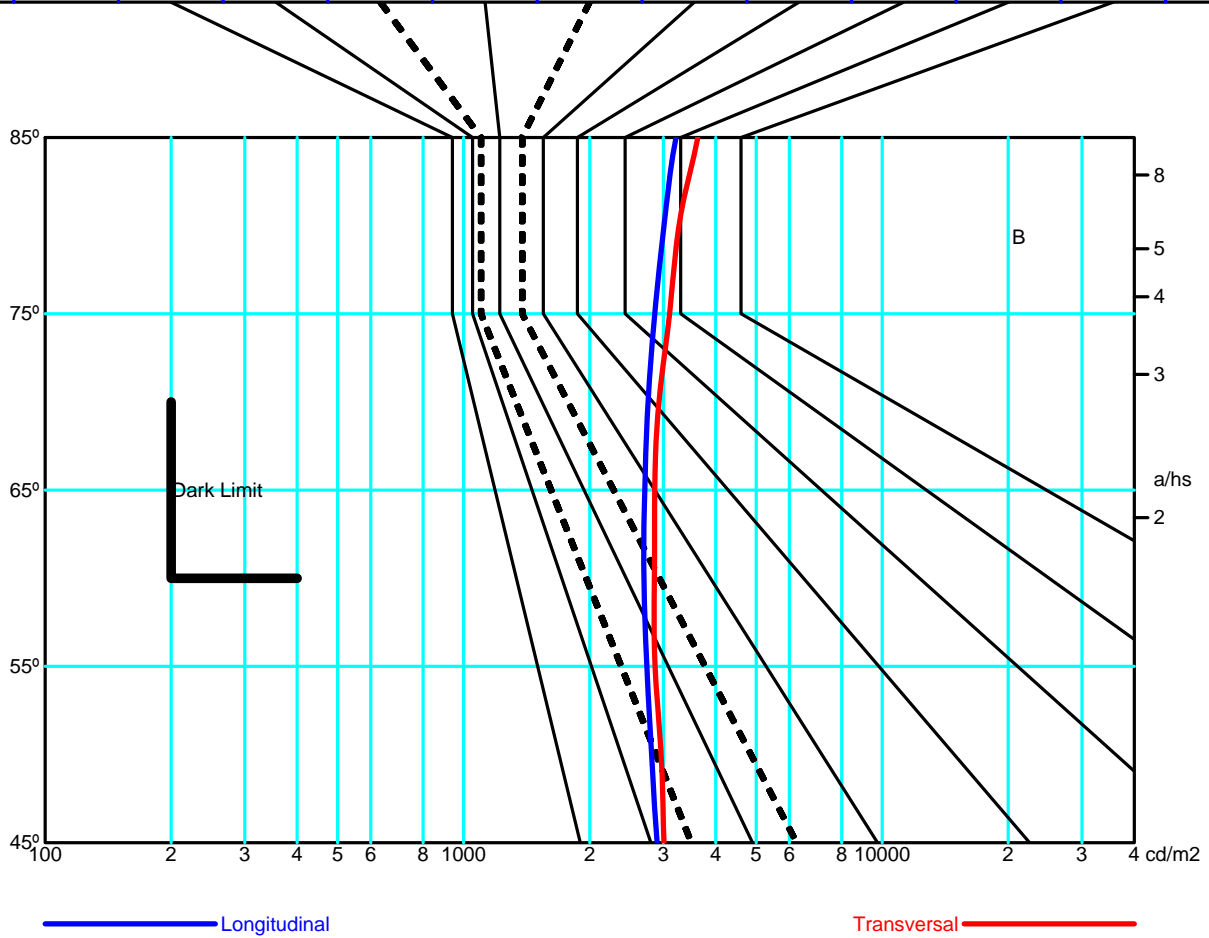
**Lamp**

Code ECOClassic 42W 230  
 Number 3  
 Position

Efficiency 59.83%      Coordinate system CG      Total Flux 1890.00 lm

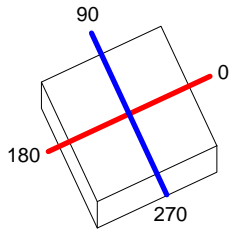
		Average Luminance [cd/m <sup>2</sup> ]										
		0.0°	45°	50°	55°	60°	65°	70°	75°	80°	85°	
0.0°	3010	2963	2865	2856	2861	2928	3106	3268	3626	---		
90.0°	2898	2808	2743	2693	2709	2756	2863	3008	3216	---		

Flush mounted or transversal view												
		Illumination(lx)										
A	A	2000	1000	750	500		<300					1.15
B	1		2000	1500	1000	750	500	<300				1.5
C					2000		1000	500	<300			1.85
D	2						2000	1000	500	<300		2.2
E	3							2000	1000	500	<300	2.55



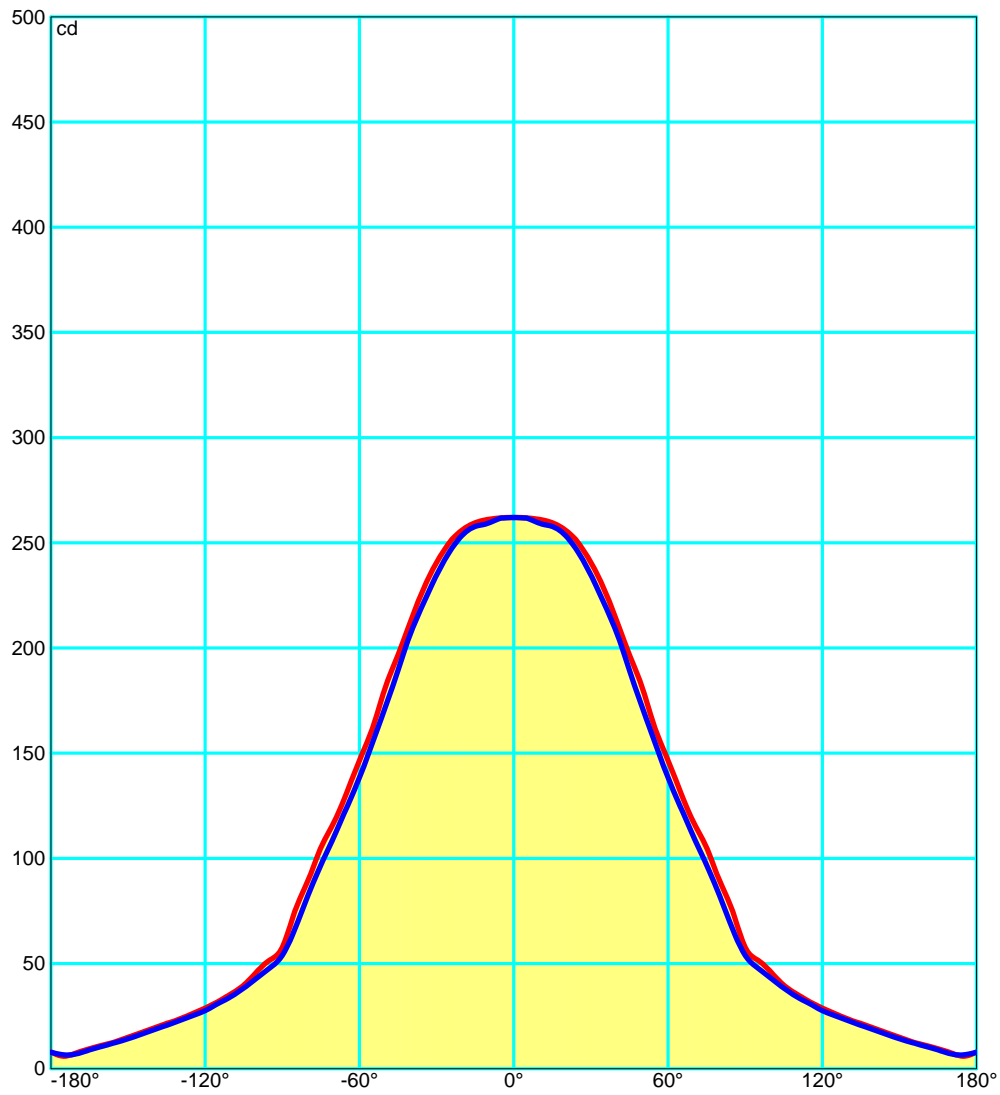
Luminaire		Measur.		Lamp	
Code	15-3213-21-B4	Code	15-3213-21-B4	Code	ECOClassic 42W 230
Name	Plafon FLOW 3x46W E27 dif opal	Name	Plafon FLOW 3x46W E27 dif opal	Number	3
Line	Eulumat	Date	23-07-2014	Position	
Efficiency	59.83%	Coordinate system	CG	Total Flux	1890.00 lm

300mm x 300mm



C Halfplanes

180.0 ——— 0.0  
 270.0 ——— 90.0



<b>Luminaire</b>		<b>Measur.</b>		<b>Lamp</b>	
Code	15-3213-21-B4	Code	15-3213-21-B4	Code	ECOClassic 42W 230
Name	Plafon FLOW 3x46W E27 dif opal	Name	Plafon FLOW 3x46W E27 dif opal	Number	3
Line	Eulumdat	Date	23-07-2014	Position	
Efficiency	59.83%	Coordinate system	CG	Total Flux	1890.00 lm

**UGR**  
S = 0.250

Reflectancies										
Ceiling/Cavity	0.7	0.7	0.5	0.5	0.3	0.7	0.7	0.5	0.5	0.3
Walls	0.5	0.3	0.5	0.3	0.3	0.5	0.3	0.5	0.3	0.3
WorkingPlane	0.2	0.2	0.2	0.2	0.2	0.2	0.2	0.2	0.2	0.2
RoomDimensions	ViewedCrosswise					ViewedEndwise				
x=2H y=2H	14.8	16.0	15.3	16.5	16.9	14.7	15.9	15.2	16.4	16.9
x=2H y=3H	16.9	18.0	17.4	18.5	19.0	16.7	17.8	17.3	18.4	19.0
x=2H y=4H	18.0	19.0	18.6	19.6	20.0	17.8	18.8	18.3	19.4	20.0
x=2H y=6H	19.1	20.0	19.7	20.6	21.0	18.8	19.8	19.4	20.4	21.0
x=2H y=8H	19.6	20.6	20.2	21.1	21.5	19.3	20.3	19.9	20.8	21.5
x=2H y=12H	20.1	21.0	20.7	21.6	22.0	19.8	20.7	20.4	21.3	22.0
x=4H y=2H	15.5	16.6	16.1	17.1	17.6	15.4	16.5	16.0	17.0	17.6
x=4H y=3H	17.8	18.7	18.4	19.3	19.8	17.7	18.6	18.3	19.2	19.8
x=4H y=4H	19.0	19.8	19.7	20.4	21.0	18.9	19.7	19.5	20.3	21.0
x=4H y=6H	20.3	21.0	20.9	21.6	22.2	20.1	20.8	20.7	21.4	22.2
x=4H y=8H	20.9	21.5	21.5	22.2	22.8	20.7	21.4	21.4	22.0	22.8
x=4H y=12H	21.5	22.1	22.2	22.8	23.3	21.3	21.9	21.9	22.5	23.3
x=8H y=4H	19.4	20.1	20.1	20.8	21.4	19.3	20.0	20.0	20.6	21.4
x=8H y=6H	20.9	21.4	21.6	22.1	22.7	20.7	21.3	21.4	22.0	22.7
x=8H y=8H	21.6	22.1	22.3	22.8	23.5	21.5	22.0	22.2	22.7	23.5
x=8H y=12H	22.4	22.8	23.1	23.5	24.2	22.2	22.6	22.9	23.4	24.2
x=12H y=4H	19.5	20.1	20.2	20.8	21.4	19.4	20.0	20.1	20.7	21.4
x=12H y=6H	21.0	21.5	21.7	22.2	22.9	20.9	21.4	21.6	22.1	22.9
x=12H y=8H	21.8	22.2	22.5	23.0	23.6	21.7	22.1	22.4	22.8	23.6



**Luminaire**

Code 15-3213-21-B4  
 Name Plafon FLOW 3x46W E27 dif opal  
 Line Eulumdat

**Measur.**

Code 15-3213-21-B4  
 Name Plafon FLOW 3x46W E27 dif opal  
 Date 23-07-2014

**Lamp**

Code ECOClassic 42W 230  
 Number 3  
 Position

Efficiency 59.83%      Coordinate system CG      Total Flux 1890.00 lm

Total Flux=1890.00 Luminaire Flux=1130.81

RI	0.60	0.80	1.00	1.25	1.50	2.00	2.50	3.00	4.00	5.00	10.00	20.00
DRR	0.26	0.33	0.40	0.46	0.52	0.60	0.66	0.70	0.76	0.79	0.88	0.93
RC	6	6	6	7	7	7	7	7	7	7	7	7

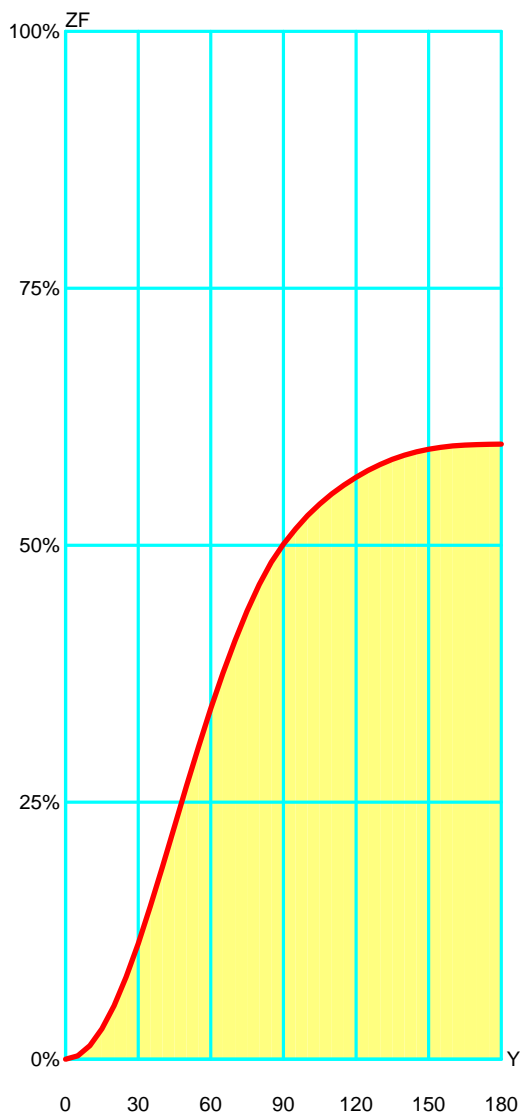
Zonal Flux per 1000 Lumen

Y°	10	20	30	40	50	60	70	80	90	100	110	120	130	140	150	160	170	180
ZF(Y)	13	52	112	187	266	341	407	462	501	529	550	566	579	588	593	597	598	598

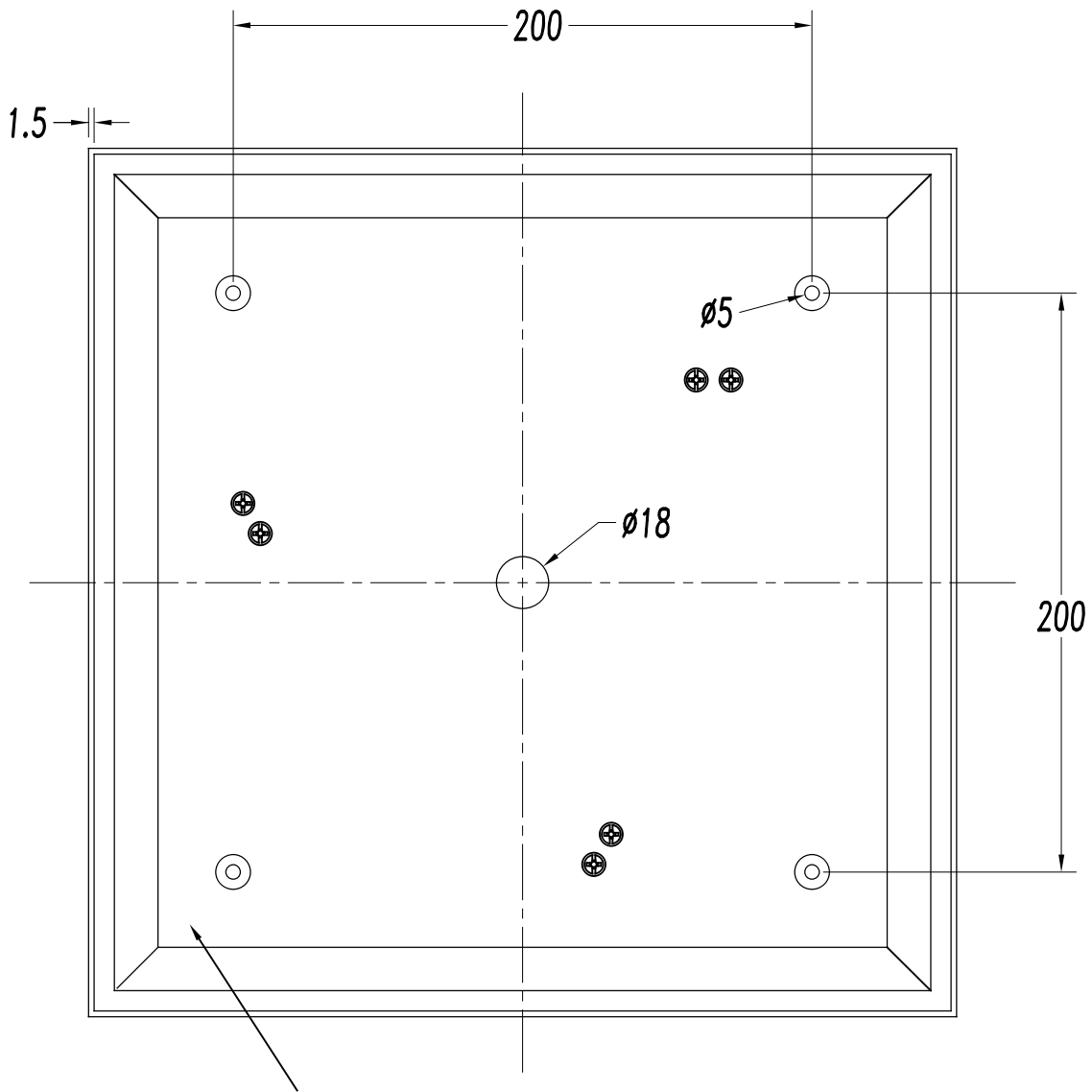
CIE Flux Codes

40 68 88 84 60

C.I.E.	6/6/6/7/7/7/7/7/7/7/7	LOR	59.83145 %
D DIN 5040	B21	ULOR	9.72620 %
F UTE	0.50 G + 0.10 T	DLOR	50.10524 %
B NBN	BZ 5 / 1 / BZ 6	UFF	16.25600 %
RN	16.25600 %	DFF	83.74400 %
BLF	1.0	FFR	19.41155 %



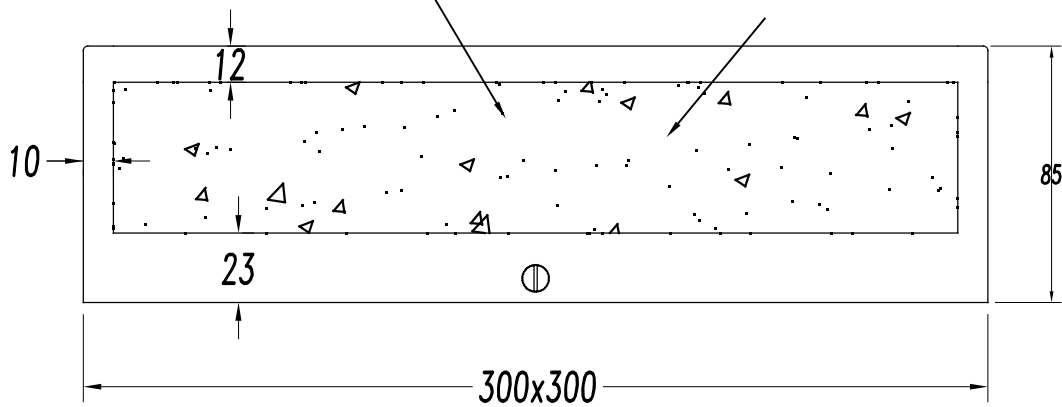
Zonal Flux				
Gamma °	Flux	Sum lm	Flux [%]	Sum [%]
0°	0.00	0.00	0.00%	0.00%
5°	3.31	3.31	0.55%	0.55%
10°	9.90	13.21	1.65%	2.21%
15°	16.34	29.55	2.73%	4.94%
20°	22.43	51.99	3.75%	8.69%
25°	27.93	79.91	4.67%	13.36%
30°	32.56	112.47	5.44%	18.80%
35°	36.11	148.58	6.04%	24.83%
40°	38.49	187.07	6.43%	31.27%
45°	39.58	226.66	6.62%	37.88%
50°	39.49	266.15	6.60%	44.48%
55°	38.43	304.58	6.42%	50.91%
60°	36.59	341.17	6.12%	57.02%
65°	34.36	375.53	5.74%	62.76%
70°	31.79	407.32	5.31%	68.08%
75°	28.89	436.21	4.83%	72.91%
80°	25.57	461.78	4.27%	77.18%
85°	21.66	483.44	3.62%	80.80%
90°	17.61	501.05	2.94%	83.74%
95°	14.80	515.86	2.47%	86.22%
100°	13.01	528.87	2.17%	88.39%
105°	11.24	540.11	1.88%	90.27%
110°	9.80	549.90	1.64%	91.91%
115°	8.66	558.57	1.45%	93.36%
120°	7.64	566.21	1.28%	94.63%
125°	6.69	572.90	1.12%	95.75%
130°	5.78	578.68	0.97%	96.72%
135°	4.90	583.58	0.82%	97.54%
140°	4.06	587.64	0.68%	98.22%
145°	3.27	590.91	0.55%	98.76%
150°	2.53	593.43	0.42%	99.18%
155°	1.88	595.31	0.31%	99.50%
160°	1.32	596.63	0.22%	99.72%
165°	0.85	597.48	0.14%	99.86%
170°	0.49	597.97	0.08%	99.94%
175°	0.25	598.22	0.04%	99.98%
180°	0.09	598.31	0.02%	100.00%



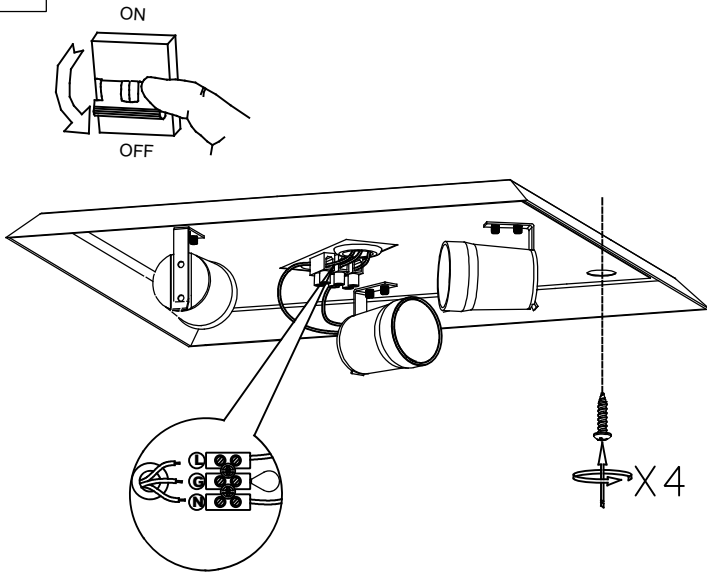
**STEEL / White**

**STEEL / Chrome**

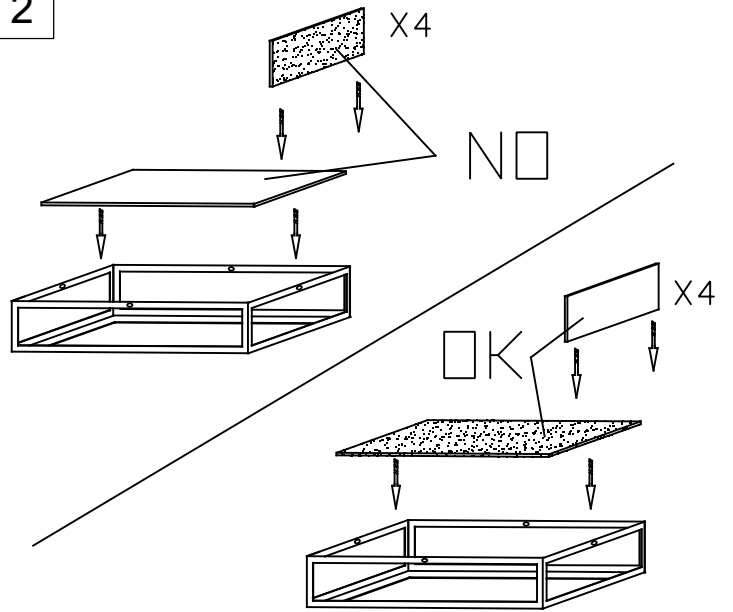
**Glass / 1 side white painted**



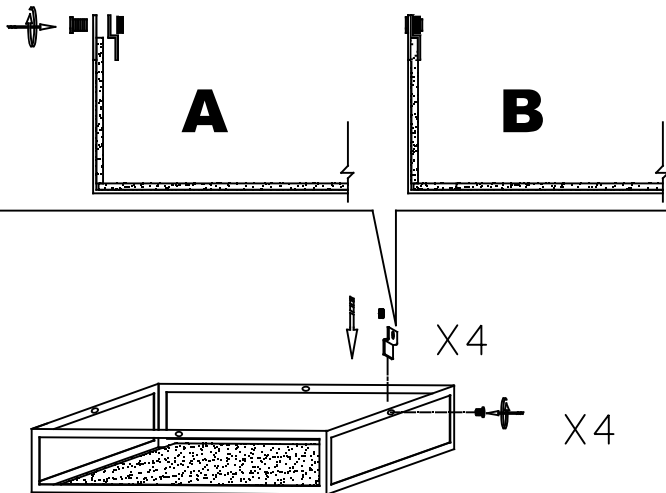
1



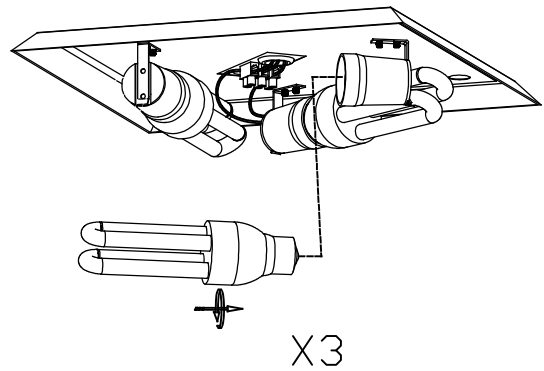
2



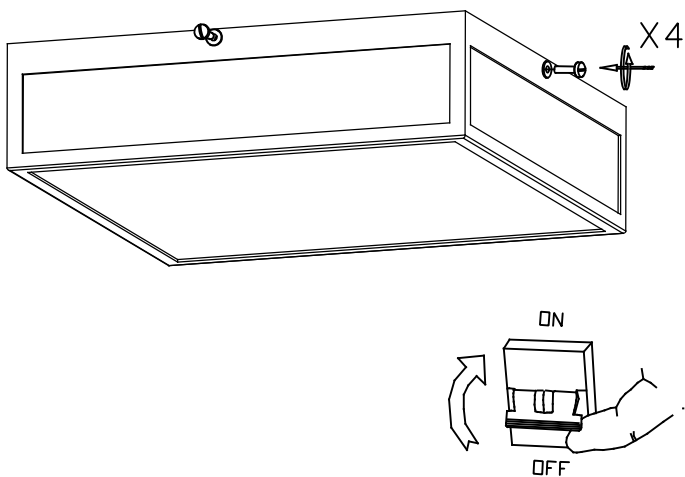
3



4



5



6

