

TOLEDO Ceiling fixture

15-2937-S2M1V1U V1

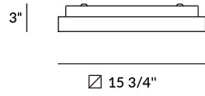


Finish
Polished
Tinted
NA

Material
Aluminium
Polycarbonate



TECHNICAL CHARACTERISTICS



Light source

Light source: LED REFOND
Output (W): 28.7W
Total power consumption (W): 33 W
Color temperature: LED warm-white 3000K
CRI: 80
Photobiological risk: RG0
Real Lumen: 1308
Qty Leds: 144
Lm/Real W: 40
Life Time: 50.000h L80B20
Bin / Grup: 30R o 30M
UGR: 16.3

GEAR

Brand: MEANWELL
Gear included: Yes, electronic
Power Factor: 0.95

Luminaire

Cable meters included: -
Warranty: 5 Years

Logistics

Energy Efficiency: NA
Net Weight (Lb): 0
Packing: 470 x 145 x 465

The photograph may not match the reference exactly. Please read the product description to identify the finish.

Luminaire

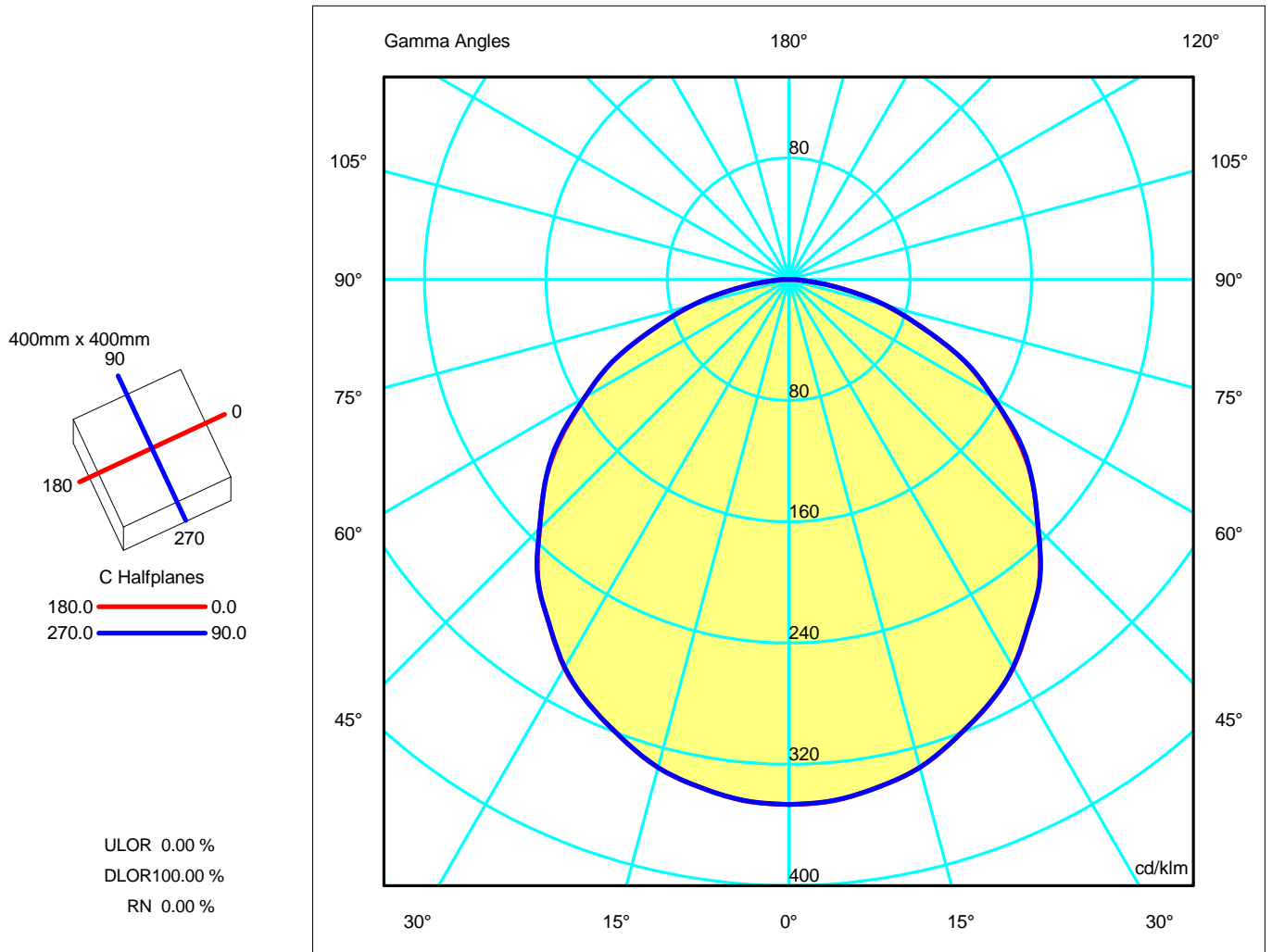
Code 15-2937-S2M1V1U
 Name Plafón TOLEDO led 29W dif opal

Measur.

Code 15-2937-S2M1V1U
 Name Plafón TOLEDO led 29W dif opal

Luminaire Flux	1308.49 lm	Luminaire Power	29.00 W	Efficacy	45.12 lm/W	Efficiency	100.00%
Lamps Flux	1308.50 lm	Maximum value	346.34 cd/klm	Position	C=0.00 G=0.00	CG	Double Symmetrical
Rectangular Luminaire Rectangular Luminous Area	Length Length	400 mm 373 mm	Width Width	400 mm 373 mm	Height Height	75 mm 0 mm	
Horizontal Luminous Area Emitting area on Plane 0° Emitting area on Plane 90°	0.139129 m2 0.000000 m2 0.000000 m2	Emitting area on Plane 180° Emitting area on Plane 270° Glare area at 76°	0.000000 m2 0.000000 m2 0.033658 m2				
Coordinate system Date Measurement Distance	CG 28-07-2017 0.00	Symmetry Type Maximum Gamma Angle Measurement Flux	Double Symmetrical 90 1308.50 lm				
Operator Temperature Humidity Notes	Asselum T2 25.00 °C 60.00 %	Source Voltage [V] Source current [A] Photocell					

		Luminaire Lamps			
Line	Code	Name	Flux [lm]	Pow. [W]	Q.ty
	15-2937-S2M1V1U	15-2937-S2M1V1U	1308.50	29.00	1
C.I.E.	47 79 96 100 100	D DIN 5040	A30		
F UTE	1.00 E	B NBN	BZ 5 / 1.5 / BZ 4		



Luminaire

Code 15-2937-S2M1V1U
 Name Plafón TOLEDO led 29W dif opal

Measurment

Code 15-2937-S2M1V1U
 Name Plafón TOLEDO led 29W dif opal

Luminaire Flux	1308.49 lm	Luminaire Power	29.00 W	Efficacy	45.12 lm/W	Efficiency	100.00%
Lamps Flux	1308.50 lm	Maximum value	346.34 cd/klm	Position	C=0.00 G=0.00	CG	Double Symmetrical

Luminous Intensity Table cd/klm Table 1/1

	C 0.00	C 15.00	C 30.00	C 45.00	C 60.00	C 75.00	C 90.00
G 0.0	346.34	346.34	346.34	346.34	346.34	346.34	346.34
G 5.0	345.09	344.73	345.04	344.79	344.82	344.81	344.97
G 10.0	340.11	340.61	340.79	340.72	340.44	340.42	340.09
G 15.0	333.40	332.49	333.99	332.48	332.93	332.87	333.31
G 20.0	322.10	322.98	323.56	323.07	322.46	322.54	322.00
G 25.0	310.03	309.76	311.58	309.31	309.35	309.71	310.08
G 30.0	295.83	294.20	295.61	294.29	294.82	294.91	295.48
G 35.0	276.08	277.61	278.20	277.70	276.94	277.03	276.04
G 40.0	257.31	255.06	258.55	255.36	256.34	256.46	257.48
G 45.0	232.19	234.65	235.11	234.90	233.88	233.57	232.49
G 50.0	210.01	207.38	213.00	208.26	209.09	209.51	209.91
G 55.0	183.93	183.20	184.99	183.37	183.92	184.87	185.50
G 60.0	155.01	157.85	158.25	157.60	156.78	156.14	155.05
G 65.0	127.77	124.97	129.96	125.06	126.86	126.66	128.19
G 70.0	94.25	97.29	97.19	97.08	95.48	95.45	93.99
G 75.0	65.38	63.08	69.48	63.81	64.33	65.48	66.01
G 80.0	36.28	36.17	37.83	35.87	36.17	35.86	36.07
G 85.0	11.56	13.87	13.91	13.39	12.58	12.30	11.91
G 90.0	0.91	0.88	0.88	0.88	0.88	0.87	0.88

Luminaire

Code 15-2937-S2M1V1U
 Name Plafón TOLEDO led 29W dif opal

Measurment.

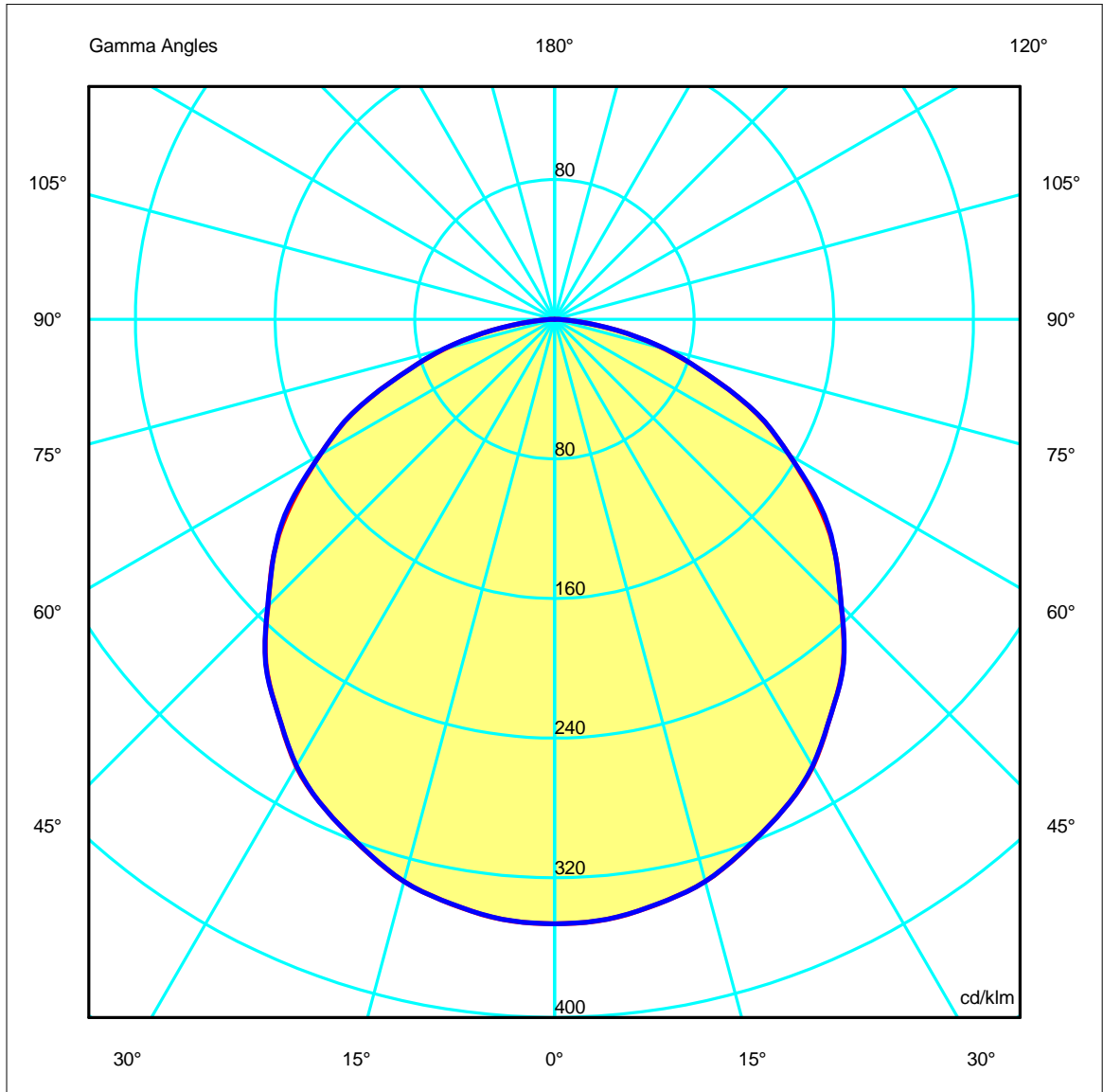
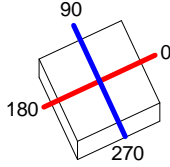
Code 15-2937-S2M1V1U
 Name Plafón TOLEDO led 29W dif opal

Luminaire Flux	1308.49 lm	Luminaire Power	29.00 W	Efficacy	45.12 lm/W	Efficiency	100.00%
Lamps Flux	1308.50 lm	Maximum value	346.34 cd/klm	Position	C=0.00 G=0.00	CG	Double Symmetrical

400mm x 400mm

C Halfplanes

180.0 ————— 0.0
 270.0 ————— 90.0



Luminaire

Code 15-2937-S2M1V1U
 Name Plafón TOLEDO led 29W dif opal

Measur.

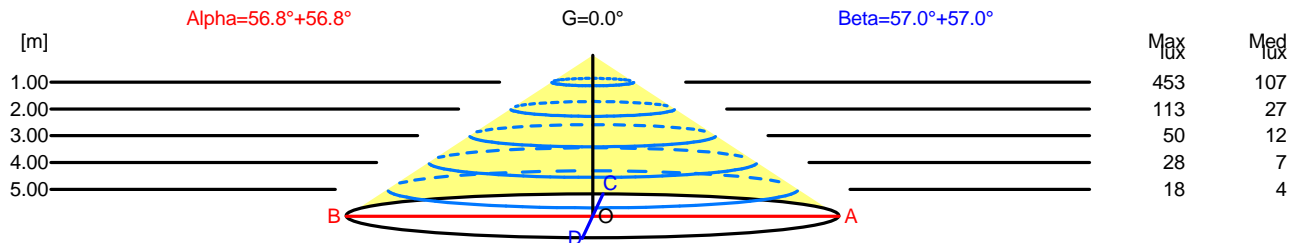
Code 15-2937-S2M1V1U
 Name Plafón TOLEDO led 29W dif opal

Luminaire Flux	1308.49 lm	Luminaire Power	29.00 W	Efficacy	45.12 lm/W	Efficiency	100.00%
Lamps Flux	1308.50 lm	Maximum value	346.34 cd/klm	Position	C=0.00 G=0.00	CG	Double Symmetrical

Width at 50.00 % of Max Intensity

H[m]	1.00	2.00	3.00	4.00	5.00	H[m]	1.00	2.00	3.00	4.00	5.00
OA	1.53	3.06	4.59	6.12	7.65	OC	1.54	3.08	4.62	6.17	7.71
OB	1.53	3.06	4.59	6.12	7.65	OD	1.54	3.08	4.62	6.17	7.71

	Luminous Intensities [cd/klm]									
	0	5	15	25	35	45	55	65	75	85
OA	453.19	451.55	436.26	405.68	361.25	303.82	240.67	167.18	85.55	15.12
OB	453.19	451.55	436.26	405.68	361.25	303.82	240.67	167.18	85.55	15.12
OC	453.19	451.39	436.14	405.74	361.20	304.21	242.73	167.74	86.37	15.58
OD	453.19	451.39	436.14	405.74	361.20	304.21	242.73	167.74	86.37	15.58



H[m]	D[m]	Max lux	Med lux	Alpha=56.8°+56.8°	G=0.0	
1.00	3.06	453	107			
2.00	6.12	113	27			
3.00	9.18	50	12			
4.00	12.24	28	7			
5.00	15.31	18	4			

H[m]	D[m]	Max lux	Med lux	Beta=57.0°+57.0°	G=0.0	
1.00	3.08	453	107			
2.00	6.17	113	27			
3.00	9.25	50	12			
4.00	12.33	28	7			
5.00	15.42	18	4			

Luminaire

Code 15-2937-S2M1V1U
Name Plafón TOLEDO led 29W dif opal

Measurement

Code 15-2937-S2M1V1U
Name Plafón TOLEDO led 29W dif opal

Luminaire Flux	1308.49 lm	Luminaire Power	29.00 W	Efficacy	45.12 lm/W	Efficiency	100.00%
Lamps Flux	1308.50 lm	Maximum value	346.34 cd/klm	Position	C=0.00 G=0.00	CG	Double Symmetrical

UGR
S = 0.250

Reflectancies										
Ceiling/Cavity	0.7	0.7	0.5	0.5	0.3	0.7	0.7	0.5	0.5	0.3
Walls	0.5	0.3	0.5	0.3	0.3	0.5	0.3	0.5	0.3	0.3
WorkingPlane	0.2	0.2	0.2	0.2	0.2	0.2	0.2	0.2	0.2	0.2
RoomDimensions	ViewedCrosswise					ViewedEndwise				
x=2H y=2H	16.4	17.7	16.7	17.9	18.1	16.3	17.7	16.6	17.9	18.1
x=2H y=3H	18.0	19.2	18.3	19.5	19.7	18.0	19.2	18.3	19.4	19.7
x=2H y=4H	18.6	19.7	18.9	20.0	20.3	18.6	19.7	18.9	20.0	20.3
x=2H y=6H	19.0	20.0	19.3	20.3	20.7	19.0	20.0	19.4	20.4	20.7
x=2H y=8H	19.1	20.1	19.4	20.4	20.7	19.1	20.1	19.5	20.4	20.7
x=2H y=12H	19.1	20.1	19.5	20.4	20.8	19.1	20.1	19.5	20.4	20.8
x=4H y=2H	17.2	18.3	17.5	18.6	18.8	17.1	18.3	17.5	18.6	18.8
x=4H y=3H	18.9	19.9	19.3	20.2	20.5	18.9	19.9	19.3	20.2	20.5
x=4H y=4H	19.7	20.5	20.1	20.9	21.2	19.6	20.5	20.0	20.8	21.2
x=4H y=6H	20.2	20.9	20.6	21.3	21.7	20.2	20.9	20.6	21.3	21.7
x=4H y=8H	20.3	21.0	20.7	21.4	21.8	20.3	21.0	20.7	21.4	21.8
x=4H y=12H	20.4	21.0	20.8	21.4	21.8	20.4	21.0	20.8	21.4	21.8
x=8H y=4H	20.0	20.7	20.4	21.1	21.5	20.0	20.7	20.4	21.0	21.5
x=8H y=6H	20.6	21.2	21.1	21.6	22.0	20.6	21.2	21.1	21.6	22.0
x=8H y=8H	20.8	21.3	21.3	21.8	22.2	20.8	21.3	21.3	21.7	22.2
x=8H y=12H	21.0	21.4	21.5	21.9	22.3	20.9	21.3	21.4	21.8	22.3
x=12H y=4H	20.0	20.6	20.5	21.0	21.5	20.0	20.6	20.4	21.0	21.5
x=12H y=6H	20.7	21.2	21.2	21.6	22.1	20.7	21.1	21.1	21.6	22.1
x=12H y=8H	20.9	21.3	21.4	21.8	22.3	20.9	21.3	21.4	21.8	22.3

Luminaire

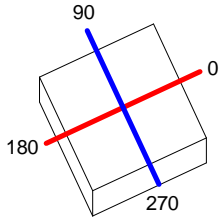
Code 15-2937-S2M1V1U
 Name Plafón TOLEDO led 29W dif opal

Measur.

Code 15-2937-S2M1V1U
 Name Plafón TOLEDO led 29W dif opal

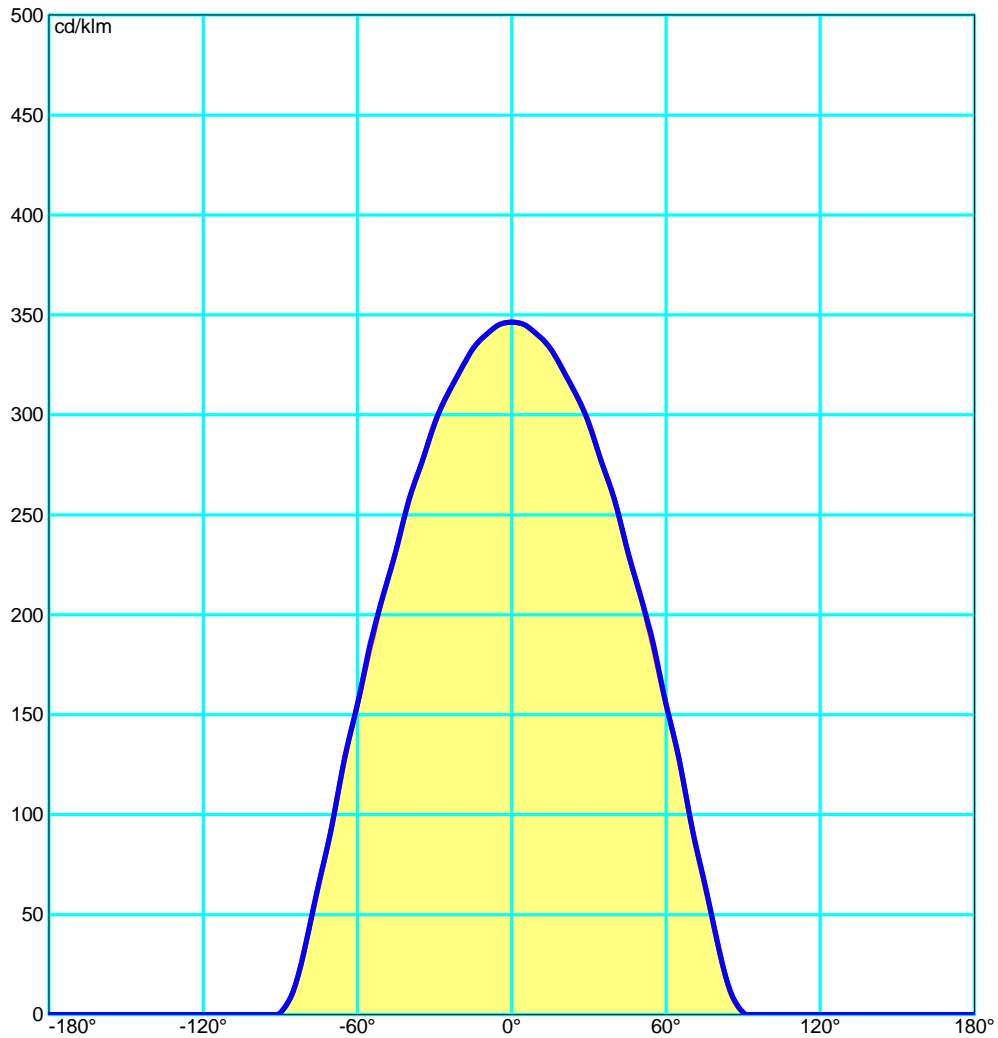
Luminaire Flux	1308.49 lm	Luminaire Power	29.00 W	Efficacy	45.12 lm/W	Efficiency	100.00%
Lamps Flux	1308.50 lm	Maximum value	346.34 cd/klm	Position	C=0.00 G=0.00	CG	Double Symmetrical

400mm x 400mm



C Halfplanes

180.0 ———— 0.0
 270.0 ———— 90.0



Luminaire

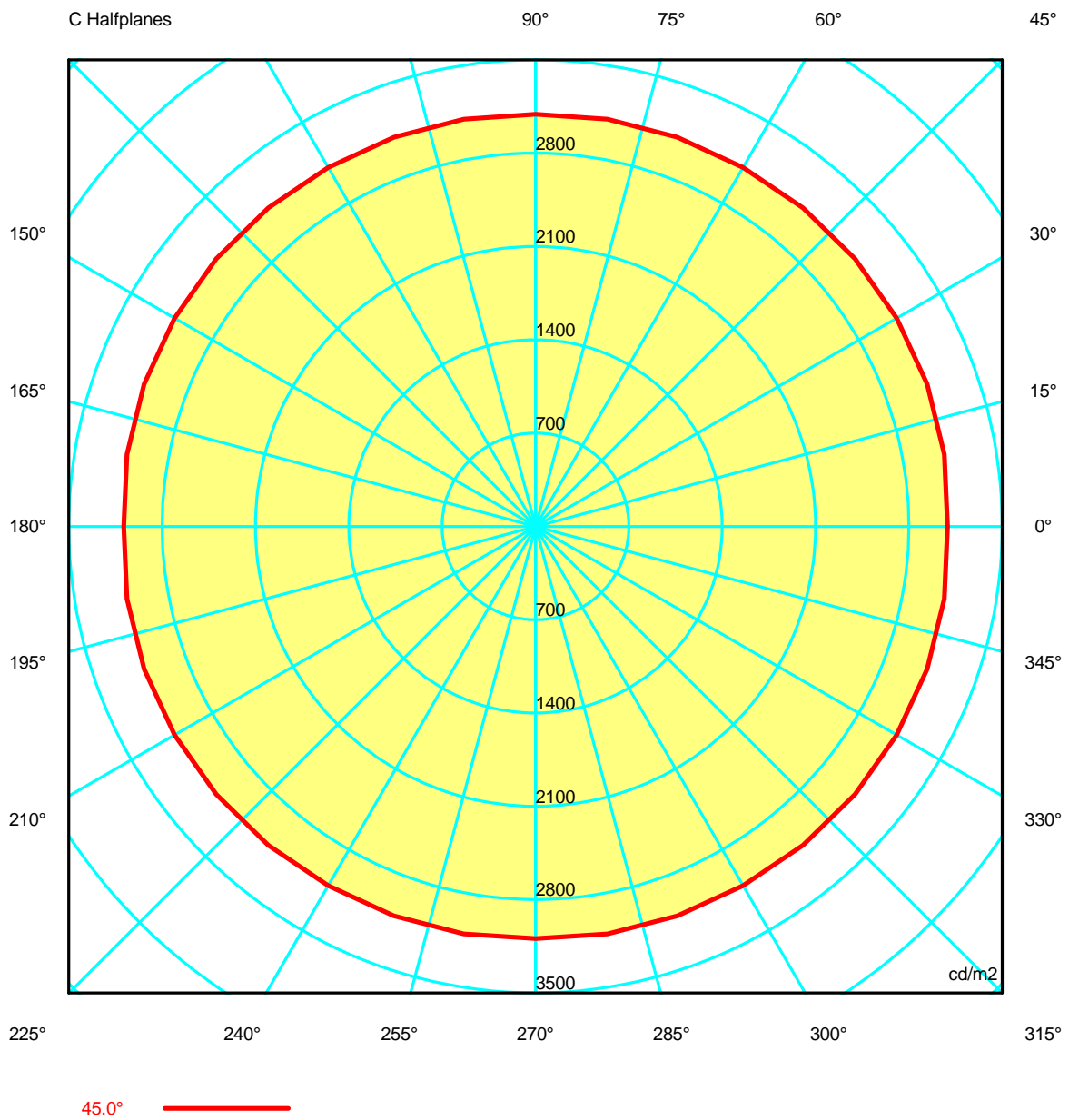
Code 15-2937-S2M1V1U
 Name Plafón TOLEDO led 29W dif opal

Measurement

Code 15-2937-S2M1V1U
 Name Plafón TOLEDO led 29W dif opal

Luminaire Flux	1308.49 lm	Luminaire Power	29.00 W	Efficacy	45.12 lm/W	Efficiency	100.00%
Lamps Flux	1308.50 lm	Maximum value	346.34 cd/klm	Position	C=0.00 G=0.00	CG	Double Symmetrical

Luminance



Luminaire

Code 15-2937-S2M1V1U
Name Plafón TOLEDO led 29W dif opal

Measurerm.

Code 15-2937-S2M1V1U
Name Plafón TOLEDO led 29W dif opal

Luminaire Flux	1308.49 lm	Luminaire Power	29.00 W	Efficacy	45.12 lm/W	Efficiency	100.00%
Lamps Flux	1308.50 lm	Maximum value	346.34 cd/klm	Position	C=0.00 G=0.00	CG	Double Symmetrical

Luminance cd/m2 Table 1/3

	C 0.00	C 10.00	C 20.00	C 30.00	C 40.00	C 50.00	C 60.00	C 70.00	C 80.00	C 90.00	C 100.00	C 110.00	C 120.00
G 0.0	3257.35	3257.35	3257.35	3257.35	3257.35	3257.35	3257.35	3257.35	3257.35	3257.35	3257.35	3257.35	3257.35
G 5.0	3257.93	3254.89	3255.39	3257.49	3256.06	3255.20	3255.38	3255.35	3255.63	3256.81	3255.63	3255.35	3255.38
G 10.0	3248.11	3251.49	3253.73	3254.59	3254.49	3252.98	3251.23	3251.18	3250.37	3247.87	3250.37	3251.18	3251.23
G 15.0	3246.23	3237.04	3242.39	3251.92	3242.42	3238.76	3241.69	3241.65	3241.70	3245.37	3241.70	3241.65	3241.69
G 20.0	3223.79	3229.71	3235.34	3238.37	3235.92	3230.78	3227.32	3228.00	3227.18	3222.78	3227.18	3228.00	3227.32
G 25.0	3217.27	3211.92	3221.85	3233.29	3218.38	3209.89	3210.14	3213.02	3215.03	3217.80	3215.03	3213.02	3210.14
G 30.0	3212.67	3196.65	3199.60	3210.33	3201.10	3197.88	3201.66	3202.33	3203.87	3208.86	3203.87	3202.33	3201.66
G 35.0	3169.75	3182.20	3191.04	3194.16	3191.43	3184.77	3179.61	3180.74	3178.44	3169.35	3178.44	3180.74	3179.61
G 40.0	3159.10	3131.13	3145.94	3174.34	3149.21	3139.12	3147.15	3148.13	3150.87	3161.16	3150.87	3148.13	3147.15
G 45.0	3088.25	3112.62	3125.43	3127.10	3126.57	3119.98	3110.71	3108.09	3103.21	3092.26	3103.21	3108.09	3110.71
G 50.0	3072.73	3030.48	3062.40	3116.45	3073.59	3051.22	3059.29	3063.42	3066.39	3071.35	3066.39	3063.42	3059.29
G 55.0	3015.91	3002.08	3014.26	3033.26	3016.49	3004.83	3015.81	3027.06	3035.14	3041.71	3035.14	3027.06	3015.81
G 60.0	2915.80	2955.44	2976.33	2976.68	2969.43	2959.14	2949.04	2941.38	2931.00	2916.44	2931.00	2941.38	2949.04
G 65.0	2843.34	2777.58	2820.03	2892.18	2820.53	2796.39	2823.20	2823.19	2823.38	2852.72	2823.38	2823.19	2823.20
G 70.0	2591.72	2656.49	2674.50	2672.65	2670.49	2655.68	2625.54	2625.01	2616.74	2584.58	2616.74	2625.01	2625.54
G 75.0	2375.80	2275.46	2374.04	2524.64	2398.48	2325.05	2337.52	2371.49	2386.00	2398.49	2386.00	2371.49	2337.52
G 80.0	1965.07	1945.46	1995.05	2048.67	1979.16	1948.08	1959.07	1950.27	1940.90	1953.70	1940.90	1950.27	1959.07
G 85.0	1247.29	1437.07	1520.35	1500.87	1467.41	1414.79	1357.04	1334.15	1316.03	1284.96	1316.03	1334.15	1357.04
G 90.0	0.00	0.00	0.00	0.00	0.00	0.00	0.00	0.00	0.00	0.00	0.00	0.00	0.00

Luminaire

Code 15-2937-S2M1V1U
Name Plafón TOLEDO led 29W dif opal

Measurment

Code 15-2937-S2M1V1U
Name Plafón TOLEDO led 29W dif opal

Luminaire Flux	1308.49 lm	Luminaire Power	29.00 W	Efficacy	45.12 lm/W	Efficiency	100.00%
Lamps Flux	1308.50 lm	Maximum value	346.34 cd/klm	Position	C=0.00 G=0.00	CG	Double Symmetrical

Luminance cd/m2 Table 2/3

	C 130.00	C 140.00	C 150.00	C 160.00	C 170.00	C 180.00	C 190.00	C 200.00	C 210.00	C 220.00	C 230.00	C 240.00	C 250.00
G 0.0	3257.35	3257.35	3257.35	3257.35	3257.35	3257.35	3257.35	3257.35	3257.35	3257.35	3257.35	3257.35	3257.35
G 5.0	3255.20	3256.06	3257.49	3255.39	3254.89	3257.93	3254.89	3255.39	3257.49	3256.06	3255.20	3255.38	3255.35
G 10.0	3252.98	3254.49	3254.59	3253.73	3251.49	3248.11	3251.49	3253.73	3254.59	3254.49	3252.98	3251.23	3251.18
G 15.0	3238.76	3242.42	3251.92	3242.39	3237.04	3246.23	3237.04	3242.39	3251.92	3242.42	3238.76	3241.69	3241.65
G 20.0	3230.78	3235.92	3238.37	3235.34	3229.71	3223.79	3229.71	3235.34	3238.37	3235.92	3230.78	3227.32	3228.00
G 25.0	3209.89	3218.38	3233.29	3221.85	3211.92	3217.27	3211.92	3221.85	3233.29	3218.38	3209.89	3210.14	3213.02
G 30.0	3197.88	3201.10	3210.33	3199.60	3196.65	3212.67	3196.65	3199.60	3210.33	3201.10	3197.88	3201.66	3202.33
G 35.0	3184.77	3191.43	3194.16	3191.04	3182.20	3169.75	3182.20	3191.04	3194.16	3191.43	3184.77	3179.61	3180.74
G 40.0	3139.12	3149.21	3174.34	3145.94	3131.13	3159.10	3131.13	3145.94	3174.34	3149.21	3139.12	3147.15	3148.13
G 45.0	3119.98	3126.57	3127.10	3125.43	3112.62	3088.25	3112.62	3125.43	3127.10	3126.57	3119.98	3110.71	3108.09
G 50.0	3051.22	3073.59	3116.45	3062.40	3030.48	3072.73	3030.48	3062.40	3116.45	3073.59	3051.22	3059.29	3063.42
G 55.0	3004.83	3016.49	3033.26	3014.26	3002.08	3015.91	3002.08	3014.26	3033.26	3016.49	3004.83	3015.81	3027.06
G 60.0	2959.14	2969.43	2976.68	2976.33	2955.44	2915.80	2955.44	2976.33	2976.68	2969.43	2959.14	2949.04	2941.38
G 65.0	2796.39	2820.53	2892.18	2820.03	2777.58	2843.34	2777.58	2820.03	2892.18	2820.53	2796.39	2823.20	2823.19
G 70.0	2655.68	2670.49	2672.65	2674.50	2656.49	2591.72	2656.49	2674.50	2672.65	2670.49	2655.68	2625.54	2625.01
G 75.0	2325.05	2398.48	2524.64	2374.04	2275.46	2375.80	2275.46	2374.04	2524.64	2398.48	2325.05	2337.52	2371.49
G 80.0	1948.08	1979.16	2048.67	1995.05	1945.46	1965.07	1945.46	1995.05	2048.67	1979.16	1948.08	1959.07	1950.27
G 85.0	1414.79	1467.41	1500.87	1520.35	1437.07	1247.29	1437.07	1520.35	1500.87	1467.41	1414.79	1357.04	1334.15
G 90.0	0.00	0.00	0.00	0.00	0.00	0.00	0.00	0.00	0.00	0.00	0.00	0.00	0.00

Luminaire

Code 15-2937-S2M1V1U
Name Plafón TOLEDO led 29W dif opal

Measur.

Code 15-2937-S2M1V1U
Name Plafón TOLEDO led 29W dif opal

Luminaire Flux	1308.49 lm	Luminaire Power	29.00 W	Efficacy	45.12 lm/W	Efficiency	100.00%
Lamps Flux	1308.50 lm	Maximum value	346.34 cd/klm	Position	C=0.00 G=0.00	CG	Double Symmetrical

Luminance cd/m2 Table 3/3

	C 260.00	C 270.00	C 280.00	C 290.00	C 300.00	C 310.00	C 320.00	C 330.00	C 340.00	C 350.00
G 0.0	3257.35	3257.35	3257.35	3257.35	3257.35	3257.35	3257.35	3257.35	3257.35	3257.35
G 5.0	3255.63	3256.81	3255.63	3255.35	3255.38	3255.20	3256.06	3257.49	3255.39	3254.89
G 10.0	3250.37	3247.87	3250.37	3251.18	3251.23	3252.98	3254.49	3254.59	3253.73	3251.49
G 15.0	3241.70	3245.37	3241.70	3241.65	3241.69	3238.76	3242.42	3251.92	3242.39	3237.04
G 20.0	3227.18	3222.78	3227.18	3228.00	3227.32	3230.78	3235.92	3238.37	3235.34	3229.71
G 25.0	3215.03	3217.80	3215.03	3213.02	3210.14	3209.89	3218.38	3233.29	3221.85	3211.92
G 30.0	3203.87	3208.86	3203.87	3202.33	3201.66	3197.88	3201.10	3210.33	3199.60	3196.65
G 35.0	3178.44	3169.35	3178.44	3180.74	3179.61	3184.77	3191.43	3194.16	3191.04	3182.20
G 40.0	3150.87	3161.16	3150.87	3148.13	3147.15	3139.12	3149.21	3174.34	3145.94	3131.13
G 45.0	3103.21	3092.26	3103.21	3108.09	3110.71	3119.98	3126.57	3127.10	3125.43	3112.62
G 50.0	3066.39	3071.35	3066.39	3063.42	3059.29	3051.22	3073.59	3116.45	3062.40	3030.48
G 55.0	3035.14	3041.71	3035.14	3027.06	3015.81	3004.83	3016.49	3033.26	3014.26	3002.08
G 60.0	2931.00	2916.44	2931.00	2941.38	2949.04	2959.14	2969.43	2976.68	2976.33	2955.44
G 65.0	2823.38	2852.72	2823.38	2823.19	2823.20	2796.39	2820.53	2892.18	2820.03	2777.58
G 70.0	2616.74	2584.58	2616.74	2625.01	2625.54	2655.68	2670.49	2672.65	2674.50	2656.49
G 75.0	2386.00	2398.49	2386.00	2371.49	2337.52	2325.05	2398.48	2524.64	2374.04	2275.46
G 80.0	1940.90	1953.70	1940.90	1950.27	1959.07	1948.08	1979.16	2048.67	1995.05	1945.46
G 85.0	1316.03	1284.96	1316.03	1334.15	1357.04	1414.79	1467.41	1500.87	1520.35	1437.07
G 90.0	0.00	0.00	0.00	0.00	0.00	0.00	0.00	0.00	0.00	0.00

Luminaire

Code 15-2937-S2M1V1U
 Name Plafón TOLEDO led 29W dif opal

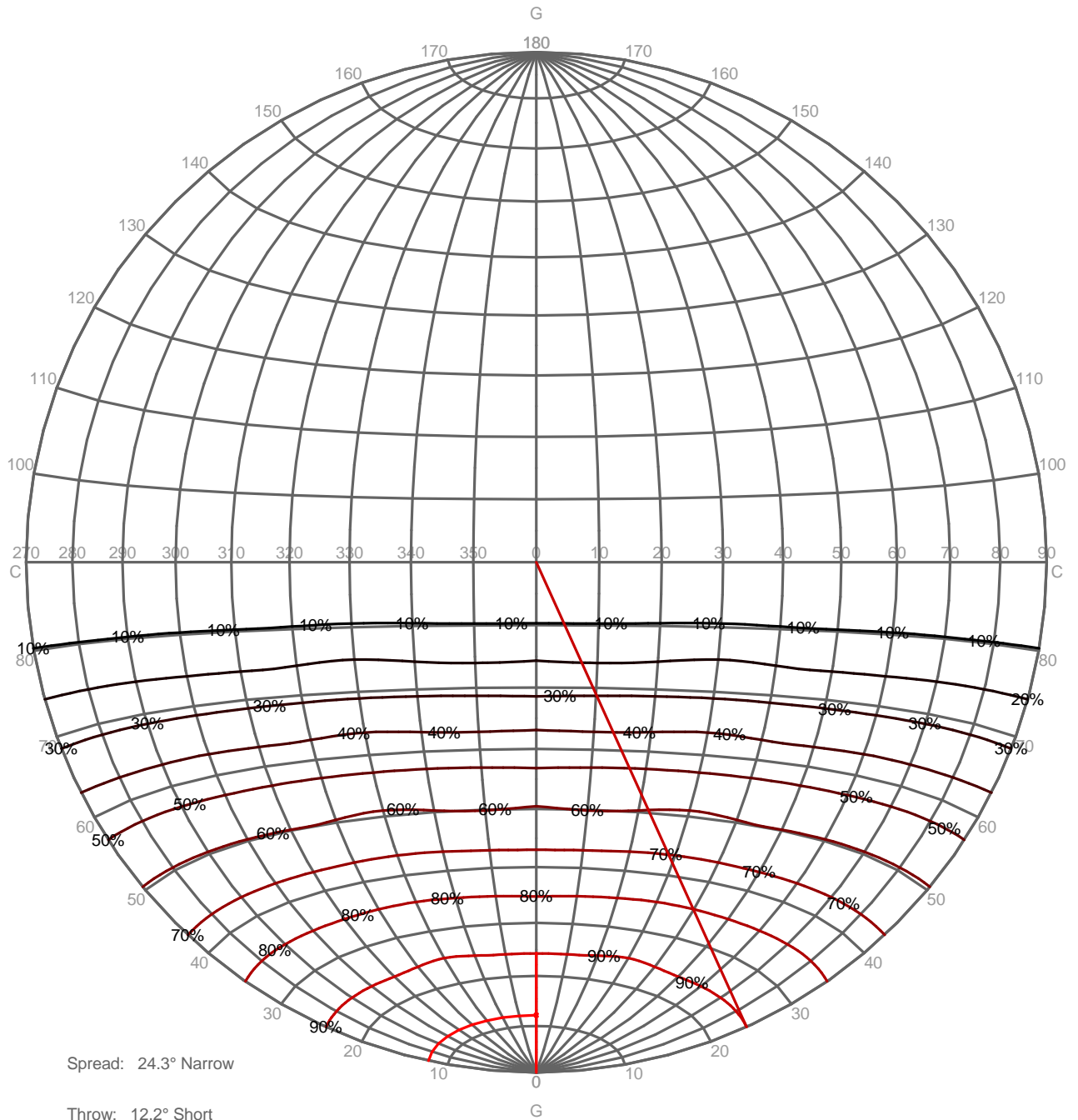
Measurment.

Code 15-2937-S2M1V1U
 Name Plafón TOLEDO led 29W dif opal

Luminaire Flux	1308.49 lm	Luminaire Power	29.00 W	Efficacy	45.12 lm/W	Efficiency	100.00%
Lamps Flux	1308.50 lm	Maximum value	346.34 cd/klm	Position	C=0.00 G=0.00	CG	Double Symmetrical

PERCENTAGE ISOCANDLES

Projection: Equal Area SLI 7.6 Tight Tilting Angle:0°



Luminaire

Code 15-2937-S2M1V1U
 Name Plafón TOLEDO led 29W dif opal

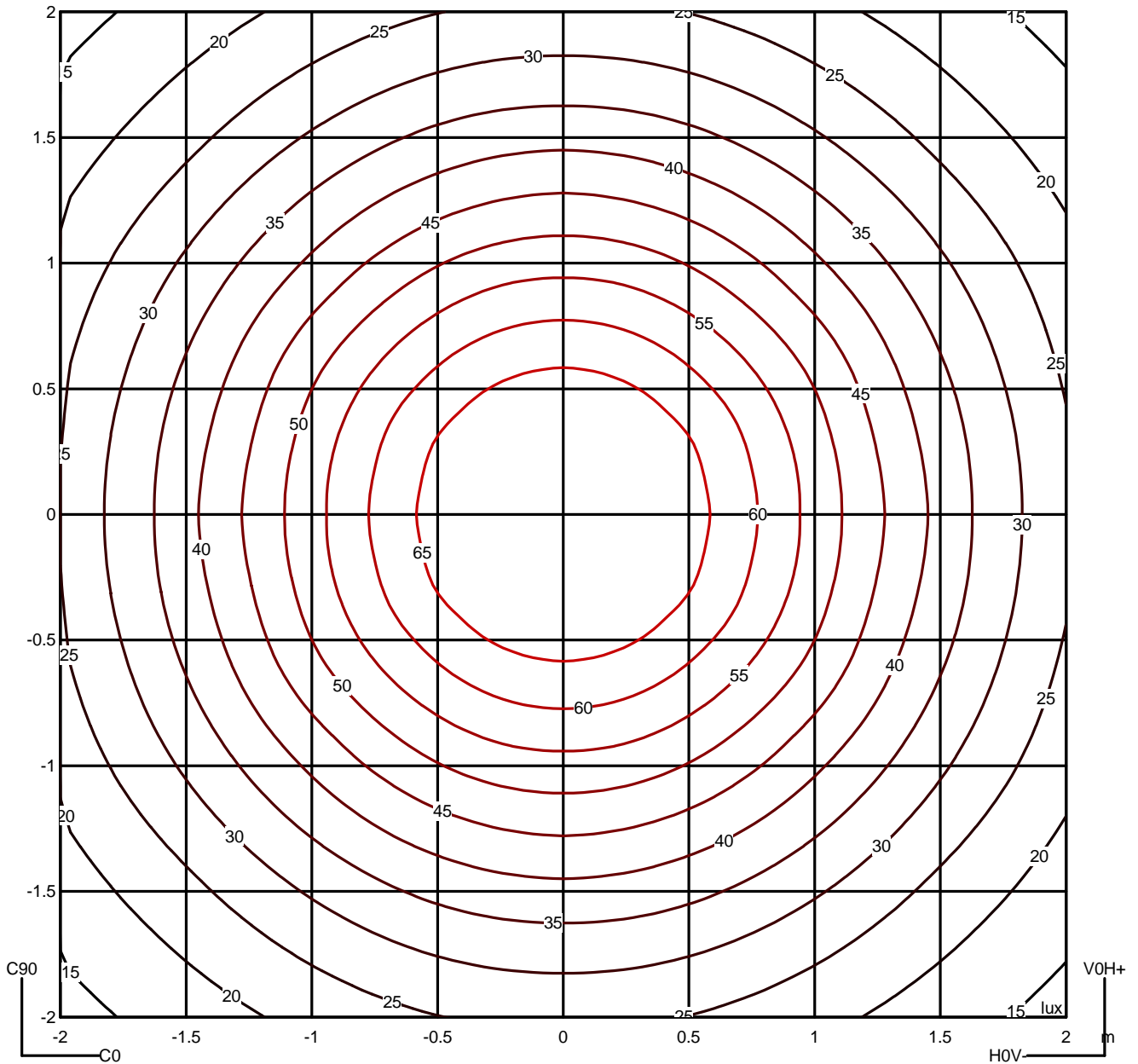
Measurement

Code 15-2937-S2M1V1U
 Name Plafón TOLEDO led 29W dif opal

Luminaire Flux	1308.49 lm	Luminaire Power	29.00 W	Efficacy	45.12 lm/W	Efficiency	100.00%
Lamps Flux	1308.50 lm	Maximum value	346.34 cd/klm	Position	C=0.00 G=0.00	CG	Double Symmetrical

Isolux (Floor)

Luminaire position X=0.00m Y=0.00m Z=2.50m



Luminaire

Code 15-2937-S2M1V1U
 Name Plafón TOLEDO led 29W dif opal

Measurment

Code 15-2937-S2M1V1U
 Name Plafón TOLEDO led 29W dif opal

Luminaire Flux	1308.49 lm	Luminaire Power	29.00 W	Efficacy	45.12 lm/W	Efficiency	100.00%
Lamps Flux	1308.50 lm	Maximum value	346.34 cd/klm	Position	C=0.00 G=0.00	CG	Double Symmetrical

Average Luminance [cd/m ²]										
0.0°	45°	50°	55°	60°	65°	70°	75°	80°	85°	
0.0°	3088	3073	3016	2916	2843	2592	2376	1965	1247	---
90.0°	3092	3071	3042	2916	2853	2585	2398	1954	1285	---

Flush mounted or longitudinal view												
		Illumination(Ix)										
A	A	2000	1000	750	500		<300					1.15
B	1		2000	1500	1000	750	500	<300				1.5
C					2000		1000	500	<300			1.85
D	2						2000	1000	500	<300		2.2
E	3							2000	1000	500	<300	2.55

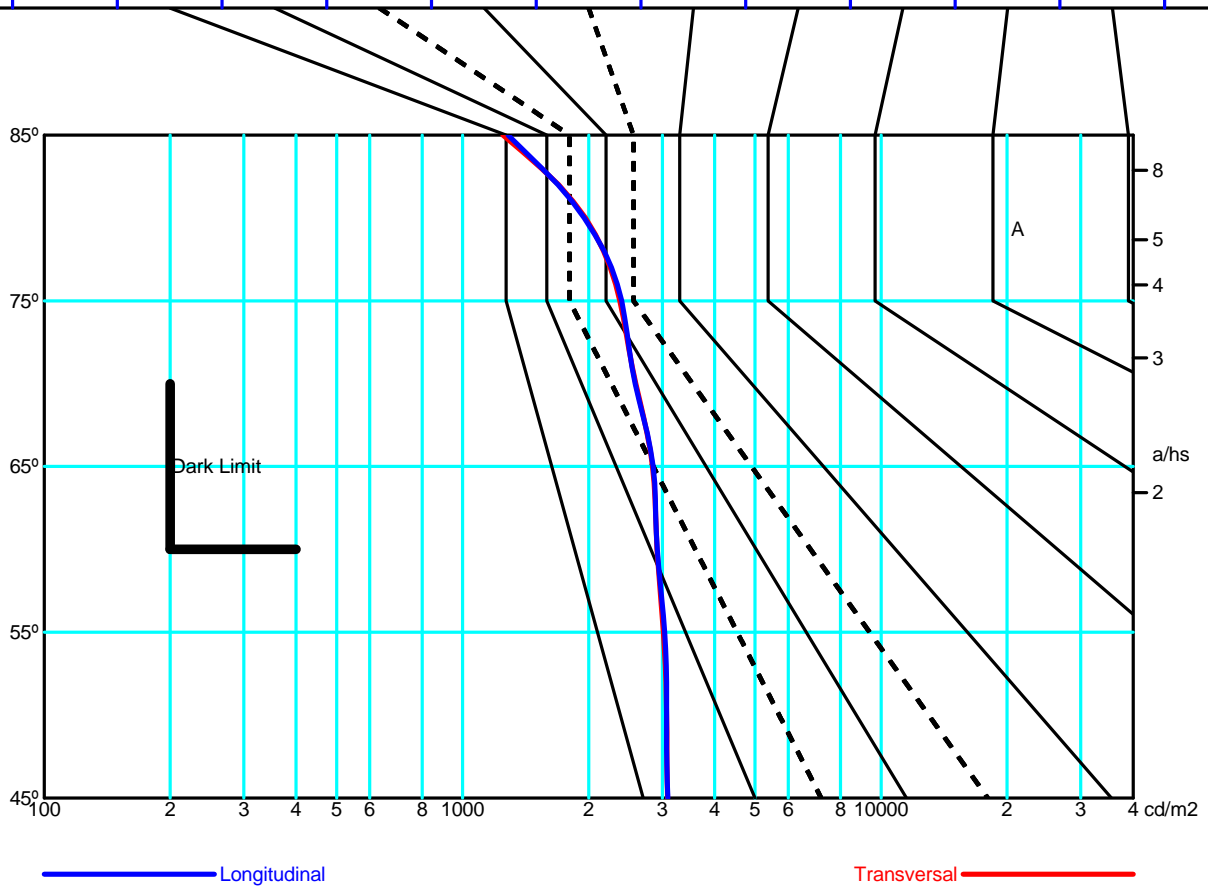


FIGURE N° 1. UNPACK THE FIXTURE: CHECK THE CONTENTS OF THE BOX. YOU SHOULD RECEIVE:

FIGURE N° 1. DÉBALLER LE PLAFONIER: VÉRIFIER LE CONTENU DU CARTON, VOUS DEVEZ RECEVOIR:

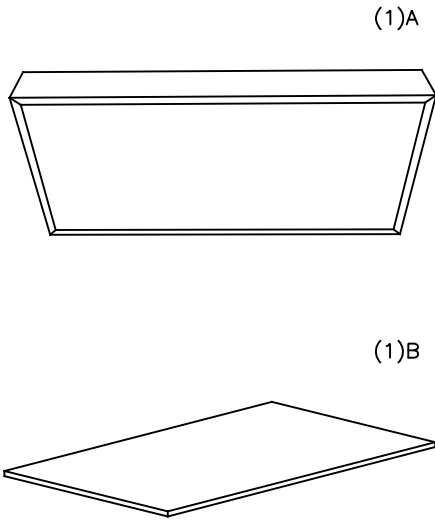


FIGURE 6

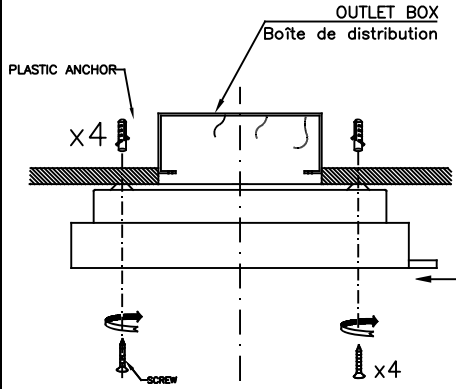
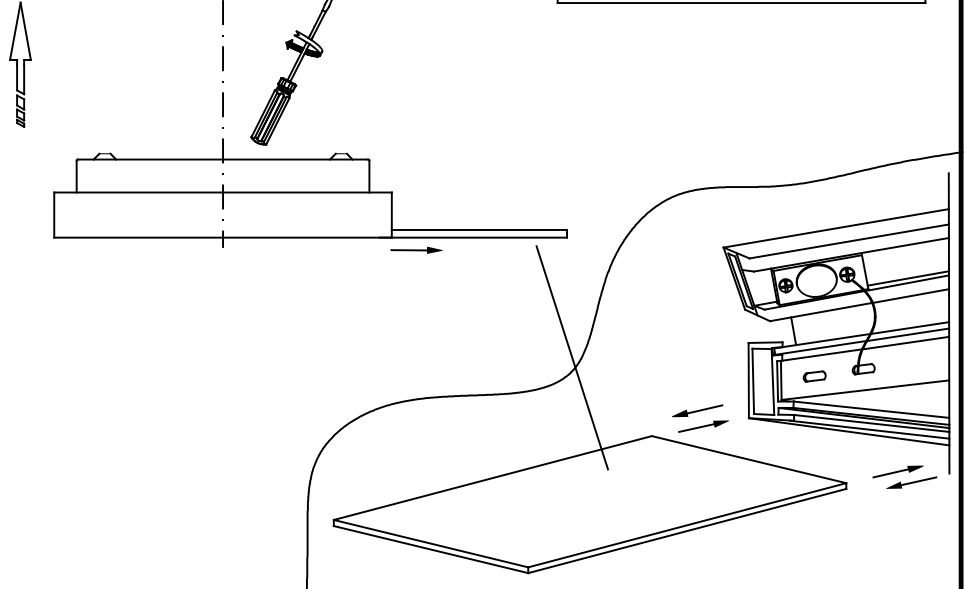
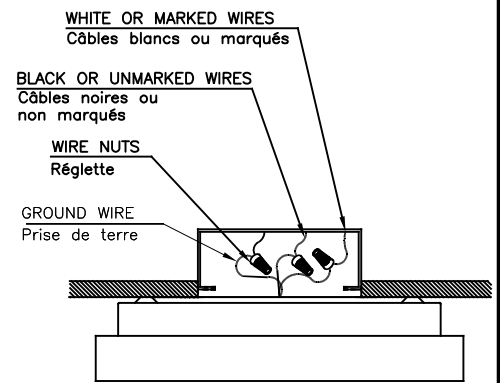


FIGURE 7

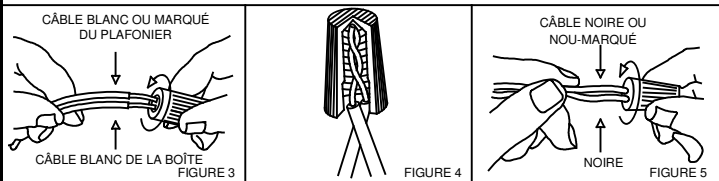
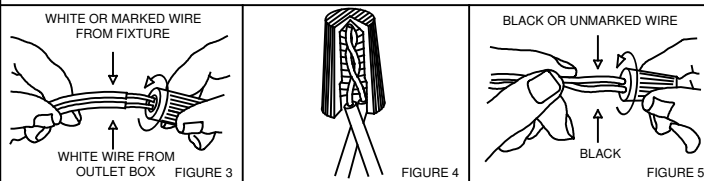


INSTALLATION INSTRUCTIONS FOR HANGING FIXTURES

INSTRUCTIONS D'INSTALLATION POUR PLAFONNIERS

FIGURE 3, 4 AND 5 MOUNTING HARDWARE.
NOTE: TEST THE CONNECTOR BY GENTLY PULLING IT. IF IT PULLS OUT THE CONNECTION, TRY AGAIN TILL YOU HAVE A FIRM CONNECTION. MAKE SURE NO BARE STRANDS OF WIRE STICK OUT FROM UNDER THE CONNECTORS.

FIGURE 3, 4 ET 5 MONTAGE DE L'ÉQUIPE.
IMPORTANT: ESSAYER DE TIRER LE CÂBLE D'ALIMENTATION DOUCEMENT. S'IL SORT DE LA CONNECTION, IL FAUDRAIT ASSURER QUE LA CONNECTION SOIT FERME. S'ASSURER QUE LES FILS DES CÂBLES NE SONT PAS À DÉCOUVERT DU CONNECTEUR.



CAUTION:
"Warning", "This product is to be installed by a qualified electrician only."

ATTENTION:
"Attention", le raccordement électrique sera effectué par un technicien électrique qualifié

"Suitable for dry locations only"

"Adéquat seulement en lieux secs."

CAUTION:
1.- Wrong lighting installation can be dangerous for your safety.
2.- Before starting, disconnect the power by turning off the general switch of the electric installation.
3.- Install light bulbs (not provided) that must not exceed markings on the fixture.
4.- To change the bulbs, disconnect the power by turning off the general switch and wait for the bulbs cool down.

ATTENTION:
1. Une mauvaise installation peut compromettre votre sécurité.
2. Déconnecter la tension du réseau d'alimentation avant de réaliser toute opération.
3. Installer les ampoules (non fournies), ne pas utiliser d'ampoules d'un autre type ou d'une puissance supérieure à celle indiquée sur l'étiquette de la lampe.
4. Pour changer les ampoules, déconnecter la tension du réseau d'alimentation et laisser refroidir les ampoules.

INSTALLATION:
1.- Make electrical connections, carefully read the Electrical Connection section.
2.- Assemble lighting onto the outlet box as shown on fig. 6, & 7.

INSTALLATION:
1. Connecter au réseau, lire attentivement la section de "Raccordements électriques"
2. Installer l'appareil à la boîte de distribution comme indiqué dans les dessins 6 et 7.

ELECTRICAL CONNECTIONS: (See fig. 3,4 y 5)
1.- Connect the white wire from the fixture to the white wire of the electric installation.
2.- Connect the black wire from the fixture to the black wire of the electric installation.
3.- Connect the grounding conductor from the fixture to the grounding wire of the electric installation.
4.- Spread out the electrical wires so that the black ones are on one side of the outlet box and the white ones are on the other side, and carefully introduce them into the outlet box.

RACCORDEMENTS ÉLECTRIQUES (dessins 3,4 et 5)
1. Connecter le câble blanc de l'appareil au câble blanc de l'installation électrique.
2. Connecter le câble noir de l'appareil au câble noir de l'installation électrique.
3. Connecter le câble conducteur de prise de terre au câble de prise de terre de l'installation électrique.
4. Distribuer les câbles pour que tout le câblage noir soit par dehors et le câblage blanc soit par dedans. Ajuster et immobiliser à la boîte sans coincer aucun câble.