

## SIX Ceiling fixture

Designer: Josep Patsí

15-1950-BW-M1U v0

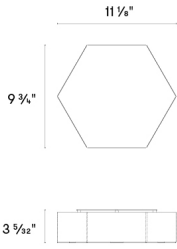


### Finish

White  
Opal  
NA

### Material

Aluminium  
Polycarbonate



### TECHNICAL CHARACTERISTICS

#### Light source

Light source: LED  
Output (W): 15W  
Color temperature: LED warm-white  
3000K  
CRI: 80  
Photobiological risk: RG0  
Qty Leds: 144  
Life Time: 50.000h L80B20  
Bin / Grup: WK3

#### GEAR

Gear included: Yes, electronic

#### Luminaire

Warranty: 5 Years

#### Logistics

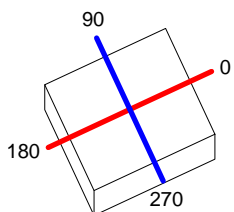
Energy Efficiency: NA  
EAN Code: 8435381432805  
Net Weight (Lb): 2.56  
Weight in Kg (packaged): 2.440  
Packing: 345 x 310 x 160  
Masterbox: 2

The photograph may not match the reference exactly. Please read the product description to identify the finish.

<b>Luminaire</b>		<b>Measur.</b>		<b>Lamp</b>		
Code	15-1950-BW-M1	Code	15-1950-BW-M1	Code	15-1950-BW-M1	
Name	Plafón led 15W difusor opal	Name	Plafón led 15W difusor opal	Number	1	
Line	Eulumdat	Date	17-07-2013	Position		
Efficiency	100.00%	Coordinate system	CG	Total Flux	733.84 lm	
Maximum value	258.53 cd	Position	C=0.00 G=0.00	Double Symmetrical		
Rectangular Luminaire	Length	245 mm	Width	280 mm	Height	80 mm
Rectangular Luminous Area	Length	245 mm	Width	280 mm	Height	0 mm
Horizontal Luminous Area	0.068600 m2	Emitting area on Plane 180°	0.000000 m2			
Emitting area on Plane 0°	0.000000 m2	Emitting area on Plane 270°	0.000000 m2			
Emitting area on Plane 90°	0.000000 m2	Glare area at 76°	0.016596 m2			
Symmetry Type	Double Symmetrical	Maximum Gamma Angle	90			
Measurement Distance	0.00	Measurement Flux	733.84 lm			
Operator	Asselum T2	Source voltage				
Temperature	25.00 °C	Source current				
Humidity	60.00 %	Photocell				
Notes						

Luminaire Lamps					
Line	Code	Name	Flux [lm]	Pow. [W]	Q.ty
Eulumdat	15-1950-BW-M1	15-1950-BW-M1 - 15.00 W	733.84	15.00	1
C.I.E.	46 77 94 100 100	D DIN 5040	A30		
F UTE	1.00 E	B NBN	BZ 5		

245mm x 280mm



**C Halfplanes**

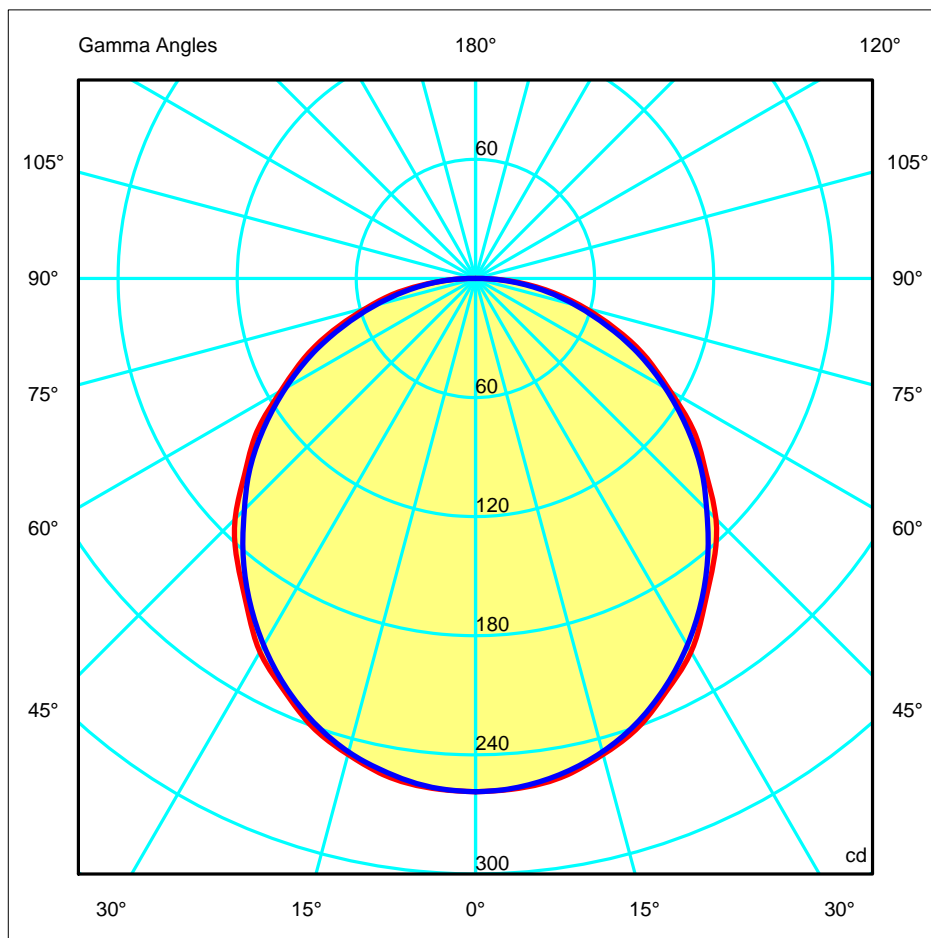
180.0 — 0.0 (Red line)

270.0 — 90.0 (Blue line)

ULOR 0.00 %

DLOR 100.00 %

RN 0.00 %

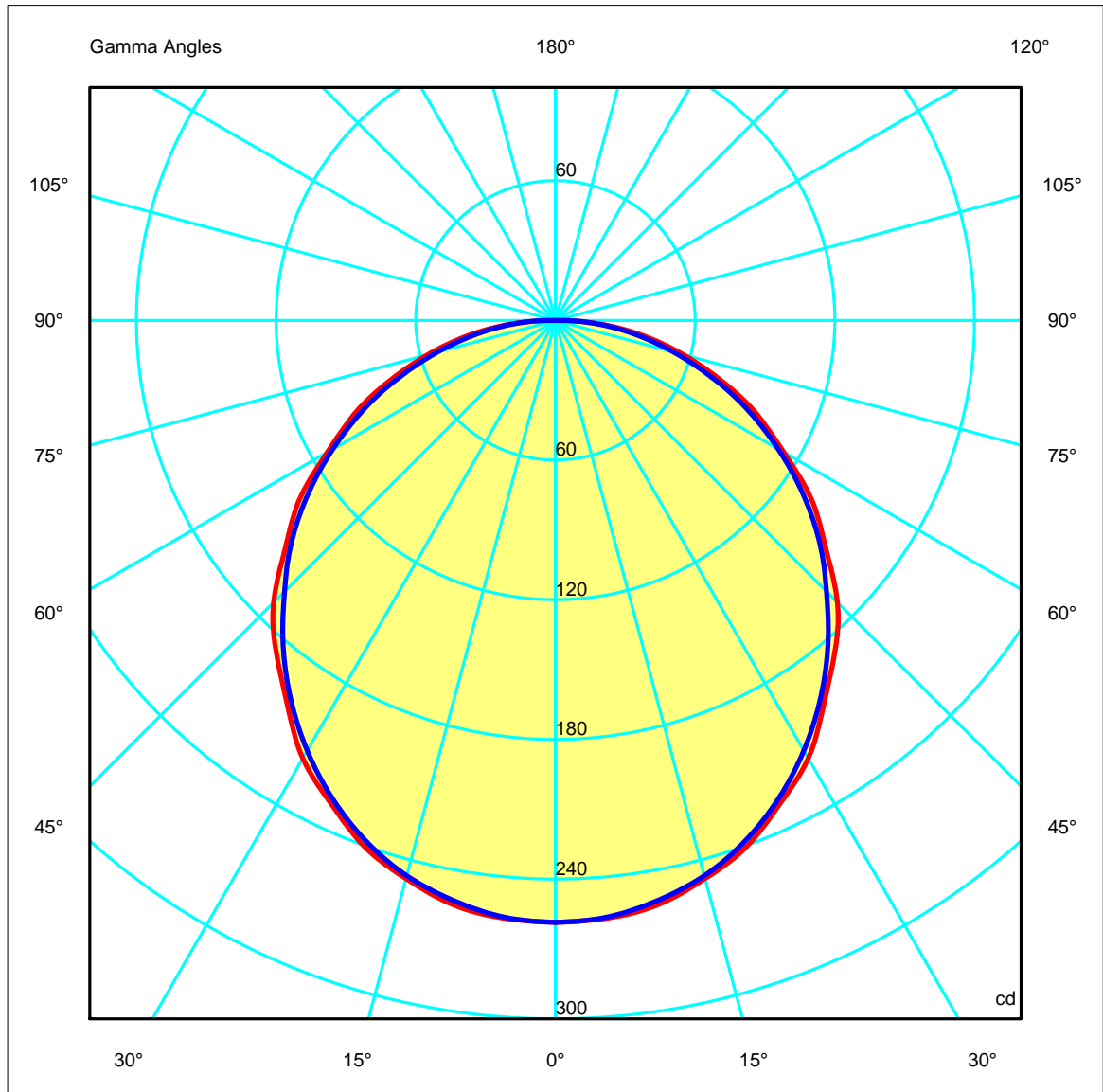
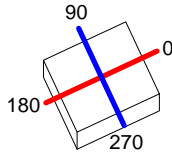


<b>Luminaire</b>		<b>Measur.</b>		<b>Lamp</b>	
Code	15-1950-BW-M1	Code	15-1950-BW-M1	Code	15-1950-BW-M1
Name	Plafón led 15W difusor opal	Name	Plafón led 15W difusor opal	Number	1
Line	Eulumdat	Date	17-07-2013	Position	
Efficiency	100.00%	Coordinate system	CG	Total Flux	733.84 lm

245mm x 280mm

C Halfplanes

180.0 ——— 0.0  
 270.0 ——— 90.0

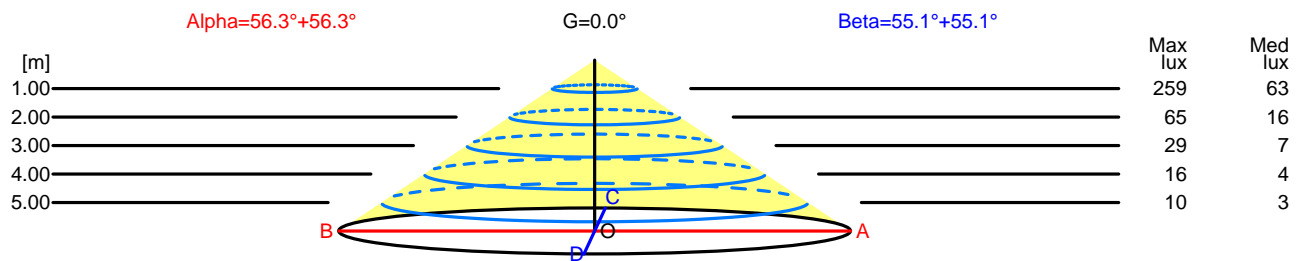


<b>Luminaire</b>		<b>Measur.</b>		<b>Lamp</b>	
Code	15-1950-BW-M1	Code	15-1950-BW-M1	Code	15-1950-BW-M1
Name	Plafón led 15W difusor opal	Name	Plafón led 15W difusor opal	Number	1
Line	Eulumdat	Date	17-07-2013	Position	
Efficiency	100.00%	Coordinate system	CG	Total Flux	733.84 lm

Width at 50.00 % of Max Intensity

H[m]	1.00	2.00	3.00	4.00	5.00	H[m]	1.00	2.00	3.00	4.00	5.00
OA	1.50	2.99	4.49	5.99	7.49	OC	1.43	2.86	4.30	5.73	7.16
OB	1.50	2.99	4.49	5.99	7.49	OD	1.43	2.86	4.30	5.73	7.16

	Luminous Intensities [ cd ]									
	0	5	15	25	35	45	55	65	75	85
OA	258.53	257.68	248.21	228.66	201.01	171.25	134.40	95.46	56.48	19.42
OB	258.53	257.68	248.21	228.66	201.01	171.25	134.40	95.46	56.48	19.42
OC	258.53	257.20	246.91	226.62	198.35	164.63	129.54	91.37	52.28	17.67
OD	258.53	257.20	246.91	226.62	198.35	164.63	129.54	91.37	52.28	17.67



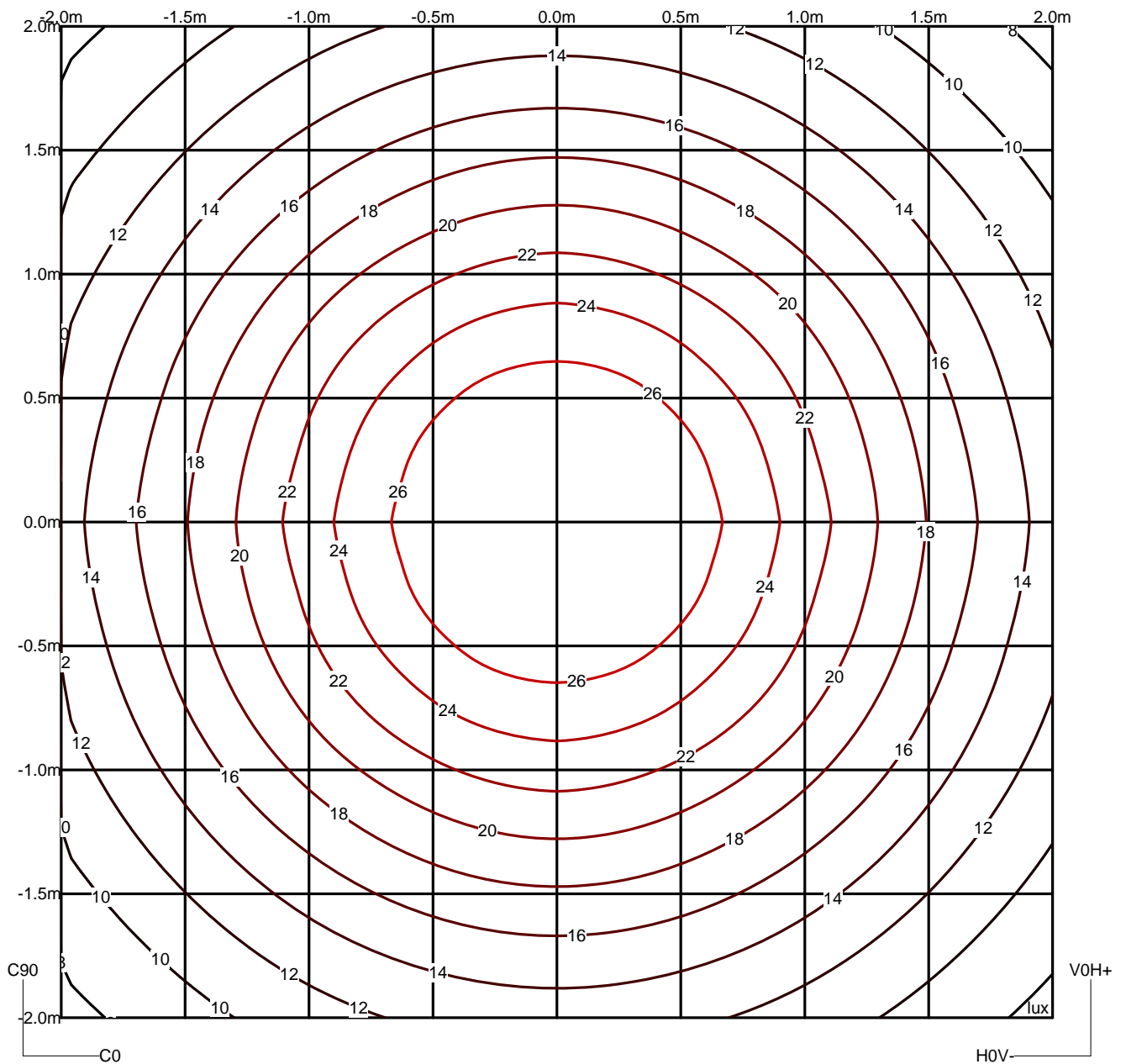
H[m]	D[m]	Max lux	Med lux	Alpha=56.3°+56.3°	G=0.0	
1.00	2.99	259	63			
2.00	5.99	65	16			
3.00	8.98	29	7			
4.00	11.98	16	4			
5.00	14.97	10	3			

H[m]	D[m]	Max lux	Med lux	Beta=55.1°+55.1°	G=0.0	
1.00	2.86	259	63			
2.00	5.73	65	16			
3.00	8.59	29	7			
4.00	11.46	16	4			
5.00	14.32	10	3			

<b>Luminaire</b>		<b>Measur.</b>		<b>Lamp</b>	
Code	15-1950-BW-M1	Code	15-1950-BW-M1	Code	15-1950-BW-M1
Name	Plafón led 15W difusor opal	Name	Plafón led 15W difusor opal	Number	1
Line	Eulumdat	Date	17-07-2013	Position	
Efficiency	100.00%	Coordinate system	CG	Total Flux	733.84 lm

Isolux (Floor)

Luminaire position X=0.00m Y=0.00m Z=3.00m

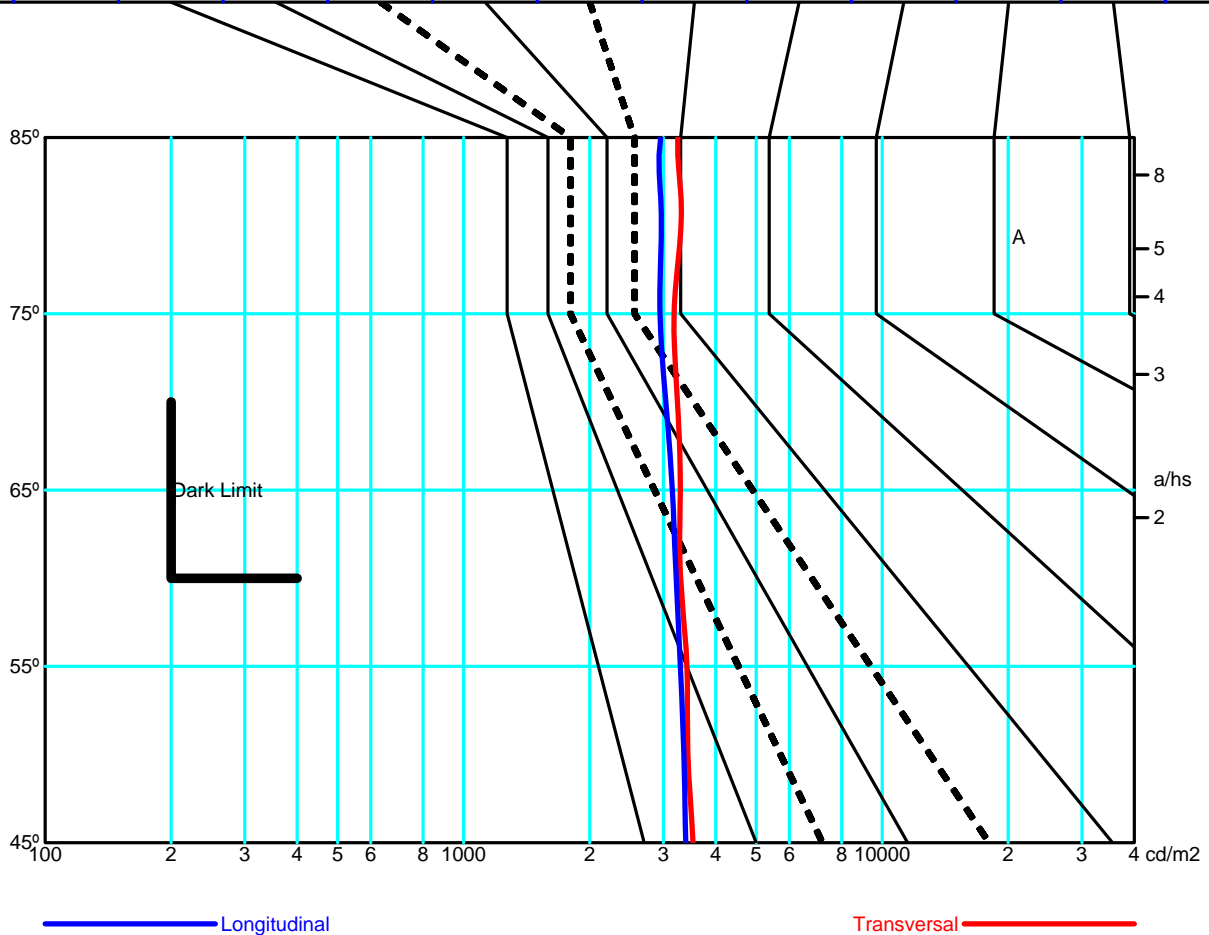


<b>Luminaire</b>	<b>Measur.</b>	<b>Lamp</b>
Code 15-1950-BW-M1	Code 15-1950-BW-M1	Code 15-1950-BW-M1
Name Plafón led 15W difusor opal	Name Plafón led 15W difusor opal	Number 1
Line Eulumdat	Date 17-07-2013	Position

Efficiency 100.00%	Coordinate system CG	Total Flux 733.84 lm
--------------------	----------------------	----------------------

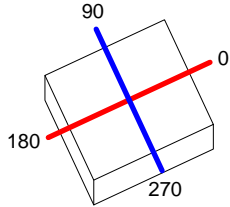
Average Luminance [cd/m <sup>2</sup> ]											
	0.0°	45°	50°	55°	60°	65°	70°	75°	80°	85°	
	3394	3530	3433	3416	3298	3293	3242	3181	3307	3248	---
	90.0°	3394	3360	3292	3220	3151	3041	2944	2967	2956	---

Flush mounted or longitudinal view												
		Illumination(lx)										
A	A	2000	1000	750	500		<300					1.15
B	1		2000	1500	1000	750	500	<300				1.5
C					2000		1000	500	<300			1.85
D	2						2000	1000	500	<300		2.2
E	3							2000	1000	500	<300	2.55



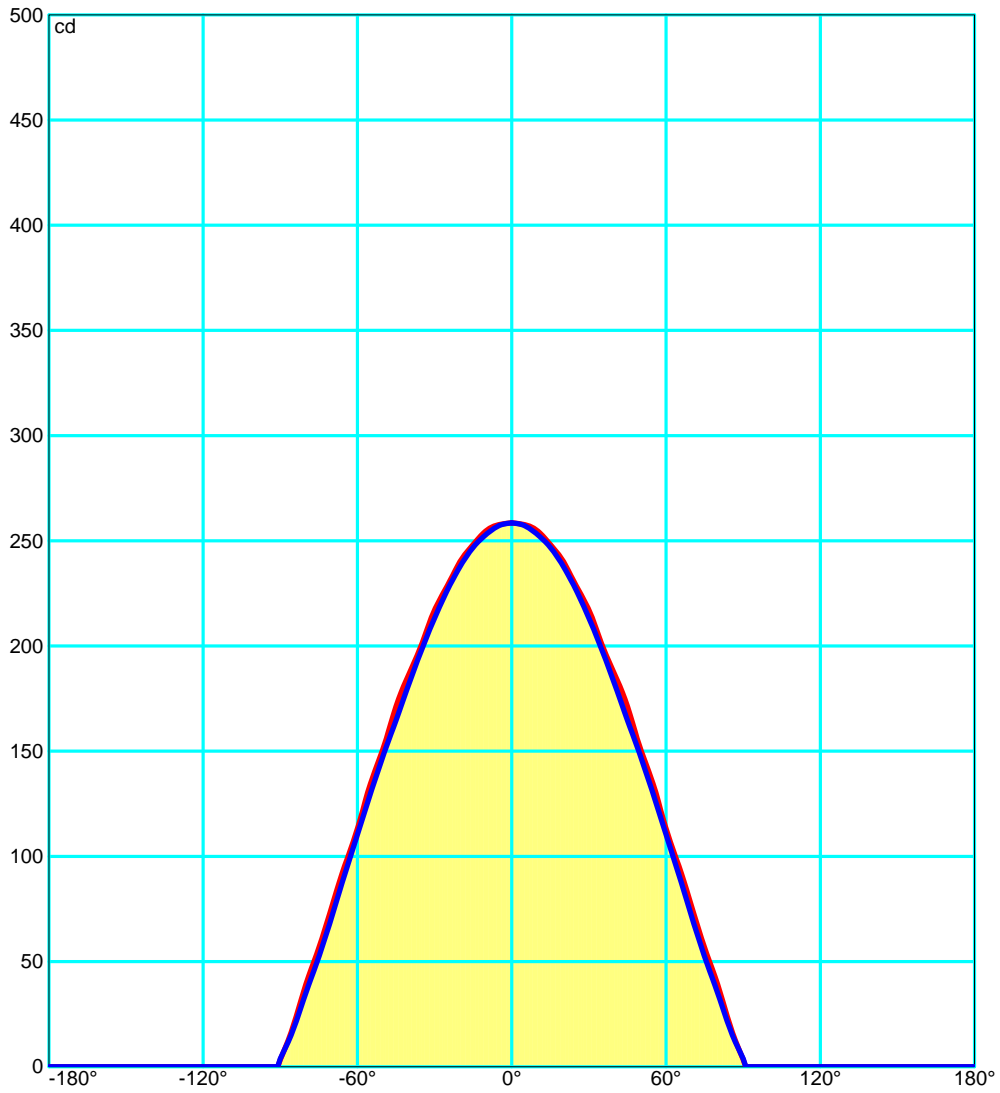
Luminaire		Measur.		Lamp	
Code	15-1950-BW-M1	Code	15-1950-BW-M1	Code	15-1950-BW-M1
Name	Plafón led 15W difusor opal	Name	Plafón led 15W difusor opal	Number	1
Line	Eulumdat	Date	17-07-2013	Position	
Efficiency	100.00%	Coordinate system	CG	Total Flux	733.84 lm

245mm x 280mm



C Halfplanes

180.0 ———— 0.0  
 270.0 ———— 90.0



<b>Luminaire</b>		<b>Measur.</b>		<b>Lamp</b>	
Code	15-1950-BW-M1	Code	15-1950-BW-M1	Code	15-1950-BW-M1
Name	Plafón led 15W difusor opal	Name	Plafón led 15W difusor opal	Number	1
Line	Eulumdat	Date	17-07-2013	Position	
Efficiency	100.00%	Coordinate system	CG	Total Flux	733.84 lm

**UGR**  
S = 0.250

Reflectancies										
Ceiling/Cavity	0.7	0.7	0.5	0.5	0.3	0.7	0.7	0.5	0.5	0.3
Walls	0.5	0.3	0.5	0.3	0.3	0.5	0.3	0.5	0.3	0.3
WorkingPlane	0.2	0.2	0.2	0.2	0.2	0.2	0.2	0.2	0.2	0.2
RoomDimensions	ViewedCrosswise					ViewedEndwise				
x=2H y=2H	16.6	17.9	16.9	18.1	18.3	16.5	17.9	16.8	18.1	18.3
x=2H y=3H	18.3	19.6	18.7	19.8	20.0	18.3	19.5	18.6	19.7	20.0
x=2H y=4H	19.1	20.3	19.5	20.5	20.7	19.0	20.2	19.4	20.4	20.7
x=2H y=6H	19.8	20.9	20.2	21.2	21.3	19.7	20.7	20.0	21.0	21.3
x=2H y=8H	20.1	21.1	20.4	21.4	21.6	19.9	20.9	20.3	21.2	21.6
x=2H y=12H	20.3	21.3	20.7	21.6	21.7	20.1	21.1	20.5	21.4	21.7
x=4H y=2H	17.4	18.5	17.7	18.8	19.1	17.3	18.5	17.7	18.8	19.1
x=4H y=3H	19.3	20.3	19.7	20.6	20.9	19.3	20.3	19.6	20.6	20.9
x=4H y=4H	20.2	21.1	20.6	21.4	21.7	20.2	21.0	20.5	21.4	21.7
x=4H y=6H	21.0	21.8	21.4	22.1	22.5	20.9	21.7	21.3	22.1	22.5
x=4H y=8H	21.3	22.0	21.8	22.4	22.8	21.2	21.9	21.7	22.3	22.8
x=4H y=12H	21.6	22.2	22.0	22.6	23.0	21.5	22.1	21.9	22.5	23.0
x=8H y=4H	20.6	21.3	21.1	21.7	22.1	20.6	21.3	21.0	21.7	22.1
x=8H y=6H	21.6	22.1	22.0	22.6	23.0	21.5	22.1	21.9	22.5	23.0
x=8H y=8H	22.0	22.5	22.4	22.9	23.3	21.9	22.4	22.4	22.8	23.3
x=8H y=12H	22.3	22.8	22.8	23.2	23.6	22.2	22.7	22.7	23.1	23.6
x=12H y=4H	20.7	21.3	21.1	21.7	22.1	20.6	21.2	21.1	21.7	22.1
x=12H y=6H	21.7	22.2	22.1	22.6	23.0	21.6	22.1	22.1	22.5	23.0
x=12H y=8H	22.1	22.6	22.6	23.0	23.4	22.0	22.5	22.5	22.9	23.4



**Luminaire**

Code 15-1950-BW-M1  
 Name Plafón led 15W difusor opal  
 Line Eulumdat

**Measur.**

Code 15-1950-BW-M1  
 Name Plafón led 15W difusor opal  
 Date 17-07-2013

**Lamp**

Code 15-1950-BW-M1  
 Number 1  
 Position

Efficiency 100.00%      Coordinate system CG      Total Flux 733.84 lm

Total Flux=733.84 Luminaire Flux=733.83

RI	0.60	0.80	1.00	1.25	1.50	2.00	2.50	3.00	4.00	5.00	10.00	20.00
DRR	0.30	0.39	0.46	0.53	0.58	0.67	0.73	0.77	0.82	0.85	0.92	0.96
RC	5	5	5	5	5	5	5	5	5	5	5	5

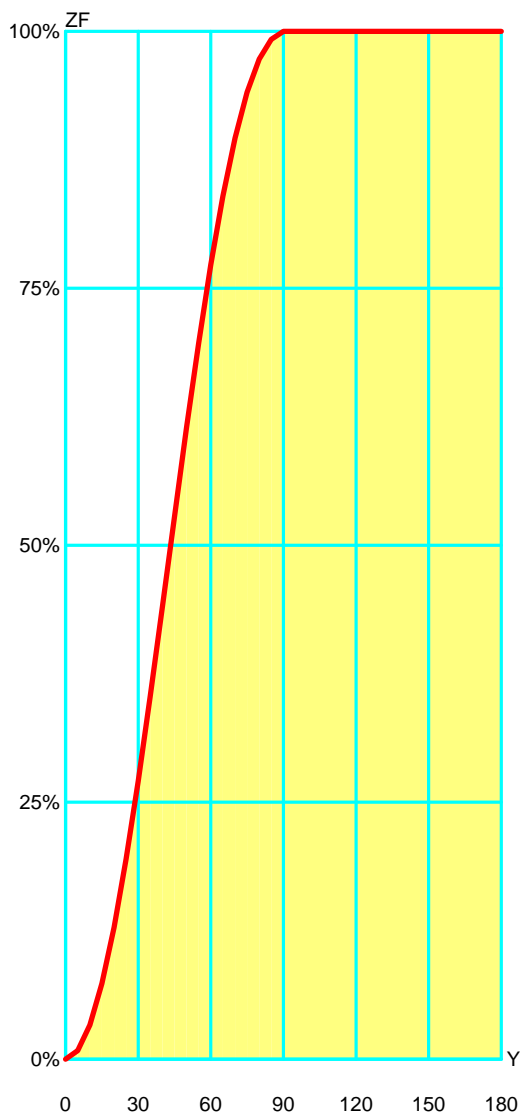
Zonal Flux per 1000 Lumen

Y°	10	20	30	40	50	60	70	80	90	100	110	120	130	140	150	160	170	180
ZF(Y)	33	128	271	440	615	773	896	973	1000	1000	1000	1000	1000	1000	1000	1000	1000	1000

CIE Flux Codes

46 77 94 100 100

C.I.E.	5	LOR	99.99891 %
D DIN 5040	A30	ULOR	0.00000 %
F UTE	1.00 E	DLOR	99.99891 %
B NBN	BZ 5	UFF	0.00000 %
RN	0.00000 %	DFF	100.00000 %
BLF	1.0	FFR	0.00000 %



Zonal Flux				
Gamma °	Flux	Sum lm	Flux [%]	Sum [%]
0°	0.00	0.00	0.00%	0.00 %
5°	8.40	8.40	0.84 %	0.84 %
10°	24.89	33.29	2.49 %	3.33 %
15°	40.42	73.71	4.04 %	7.37 %
20°	54.43	128.14	5.44 %	12.81 %
25°	66.43	194.57	6.64 %	19.46 %
30°	75.99	270.56	7.60 %	27.06 %
35°	82.81	353.37	8.28 %	35.34 %
40°	86.85	440.22	8.69 %	44.02 %
45°	88.11	528.33	8.81 %	52.83 %
50°	86.52	614.85	8.65 %	61.49 %
55°	82.30	697.15	8.23 %	69.72 %
60°	75.70	772.84	7.57 %	77.29 %
65°	66.95	839.79	6.70 %	83.98 %
70°	56.44	896.23	5.64 %	89.62 %
75°	44.60	940.83	4.46 %	94.08 %
80°	32.11	972.94	3.21 %	97.30 %
85°	19.29	992.23	1.93 %	99.22 %
90°	7.76	999.99	0.78 %	100.00 %
95°	0.00	999.99	0.00 %	100.00 %
100°	0.00	999.99	0.00 %	100.00 %
105°	0.00	999.99	0.00 %	100.00 %
110°	0.00	999.99	0.00 %	100.00 %
115°	0.00	999.99	0.00 %	100.00 %
120°	0.00	999.99	0.00 %	100.00 %
125°	0.00	999.99	0.00 %	100.00 %
130°	0.00	999.99	0.00 %	100.00 %
135°	0.00	999.99	0.00 %	100.00 %
140°	0.00	999.99	0.00 %	100.00 %
145°	0.00	999.99	0.00 %	100.00 %
150°	0.00	999.99	0.00 %	100.00 %
155°	0.00	999.99	0.00 %	100.00 %
160°	0.00	999.99	0.00 %	100.00 %
165°	0.00	999.99	0.00 %	100.00 %
170°	0.00	999.99	0.00 %	100.00 %
175°	0.00	999.99	0.00 %	100.00 %
180°	0.00	999.99	0.00 %	100.00 %

FIGURE N° 1. UNPACK THE FIXTURE: CHECK THE CONTENTS OF THE BOX. YOU SHOULD RECEIVE:

FIGURE N° 1. DÉBALLER LE PLAFONNIER: VÉRIFIER LE CONTENU DU CARTON, VOUS DEVEZ RECEVOIR:

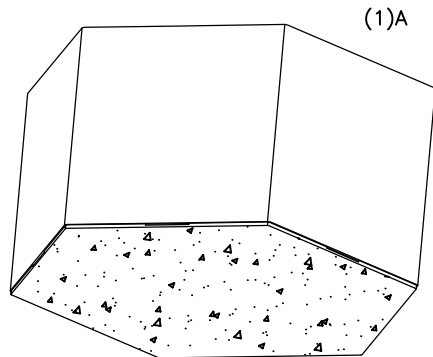


FIGURE 6

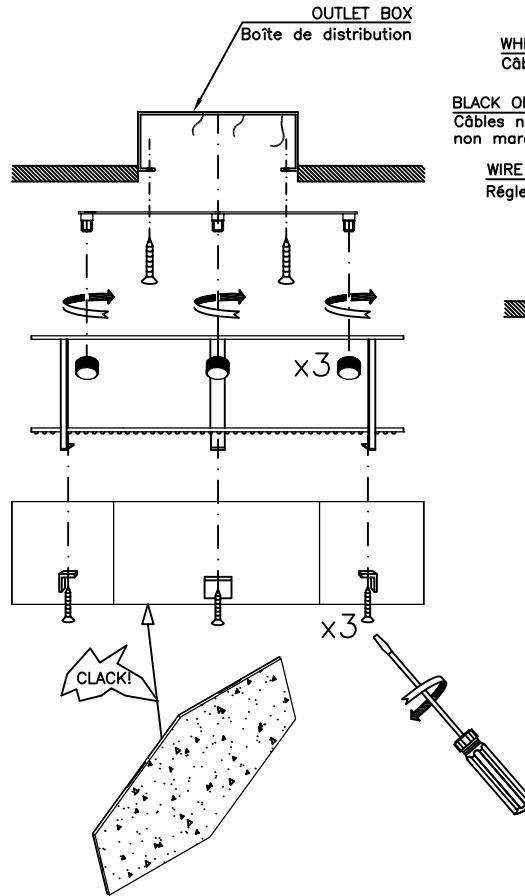
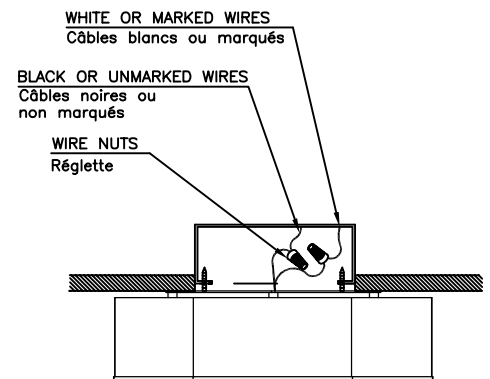


FIGURE 7



## INSTALLATION INSTRUCTIONS FOR HANGING FIXTURES

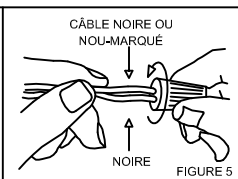
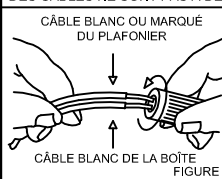
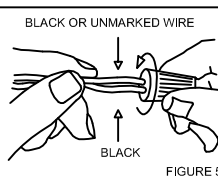
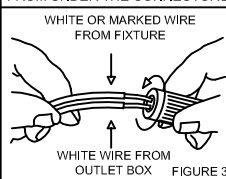
## INSTRUCTIONS D'INSTALLATION POUR PLAFONNIERS

FIGURE 3, 4 AND 5 MOUNTING HARDWARE.

NOTE: TEST THE CONNECTOR BY GENTLY PULLING IT. IF IT PULLS OUT THE CONNECTION, TRY AGAIN TILL YOU HAVE A FIRM CONNECTION. MAKE SURE NO BARE STRANDS OF WIRE STICK OUT FROM UNDER THE CONNECTORS.

FIGURE 3, 4 ET 5 MONTAGE DE L'ÉQUIPE.

IMPORTANT: ESSAYER DE TIRER LE CÂBLE D'ALIMENTATION DOUCEMENT. S'IL SORT DE LA CONNECTION, IL FAUDRAIT ASSURER QUE LA CONNECTION SOIT FERME. S'ASSURER QUE LES FILS DES CÂBLES NE SONT PAS À DÉCOUVERT DU CONNECTEUR.



### CAUTION:

"Warning", "This product is to be installed by a qualified electrician only."

"Suitable for dry locations only"

### ATTENTION:

"Attention", le raccordement électrique sera effectué par un technicien électricien qualifié"

"Adéquat seulement en lieux secs."

### CAUTION:

- 1.- Wrong lighting installation can be dangerous for your safety.
- 2.- Before starting, disconnect the power by turning off the general switch of the electric installation.
- 3.- Install light bulbs (not provided) that must not exceed markings on the fixture.
- 4.- To change the bulbs, disconnect the power by turning off the general switch and wait for the bulbs cool down.

### INSTALLATION:

- 1.- Make electrical connections, carefully read the Electrical Connection section.
- 2.- Assemble lighting onto the outlet box as shown on fig. 6, & 7.

### ELECTRICAL CONNECTIONS: (See fig. 3,4 y 5)

- 1.- Connect the white wire from the fixture to the white wire of the electric installation.
- 2.- Connect the black wire from the fixture to the black wire of the electric installation.
- 3.- Connect the grounding conductor from the fixture to the grounding wire of the electric installation.
- 4.- Spread out the electrical wires so that the black ones are on one side of the outlet box and the white ones are on the other side, and carefully introduce them into the outlet box.

### ATTENTION:

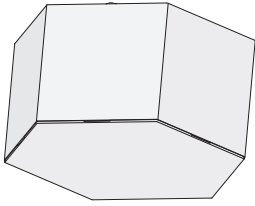
1. Une mauvaise installation peut compromettre votre sécurité.
2. Déconnecter la tension du réseau d'alimentation avant de réaliser toute opération.
3. Installer les ampoules (non fournies), ne pas utiliser d'ampoules d'un autre type ou d'une puissance supérieure à celle indiquée sur l'étiquette de la lampe.
4. Pour changer les ampoules, déconnecter la tension du réseau d'alimentation et laisser refroidir les ampoules.

### INSTALLATION:

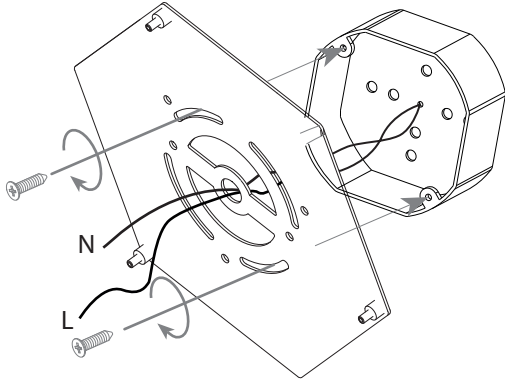
1. Connecter au réseau, lire attentivement la section de "Raccordements électriques"
2. Installer l'appareil à la boîte de distribution comme indiqué dans les dessins 6 et 7.

### RACCORDEMENTS ÉLECTRIQUES (dessins 3,4 et 5)

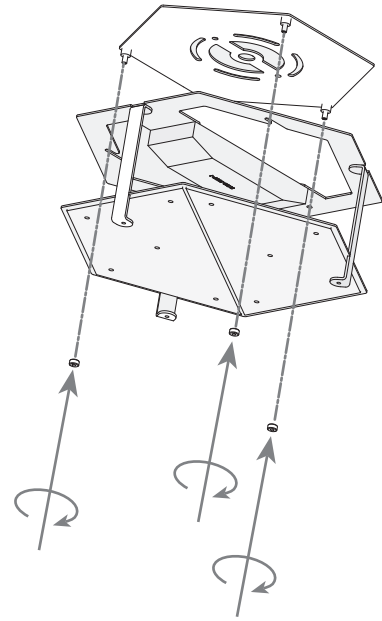
1. Connecter le câble blanc de l'appareil au câble blanc de l'installation électrique.
2. Connecter le câble noir de l'appareil au câble noir de l'installation électrique.
3. Connecter le câble conducteur de prise de terre au câble de prise de terre de l'installation électrique.
4. Distribuer les câbles pour que tout le câblage noir soit par dehors et le câblage blanc soit par dedans. Ajuster et immobiliser à la boîte sans coincer aucun câble.



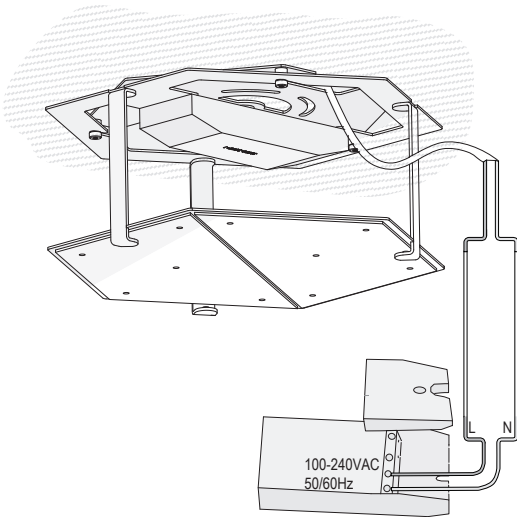
**1**



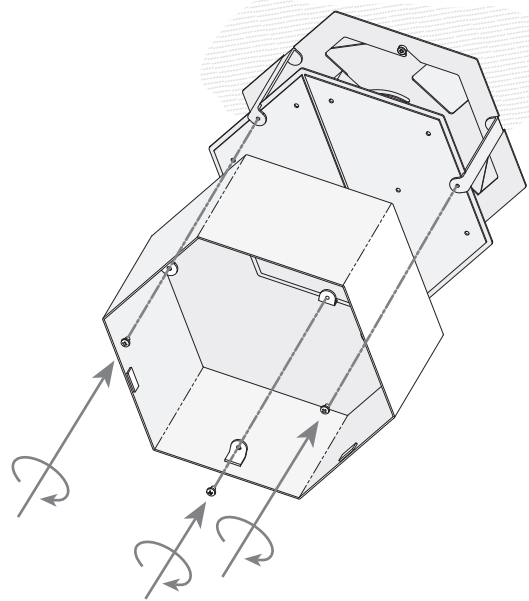
**2**



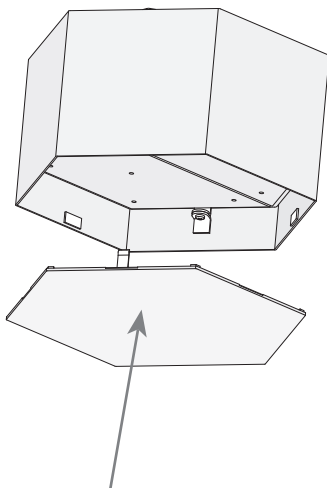
**3**



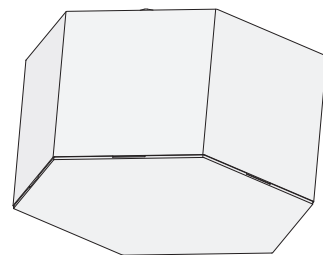
**4**

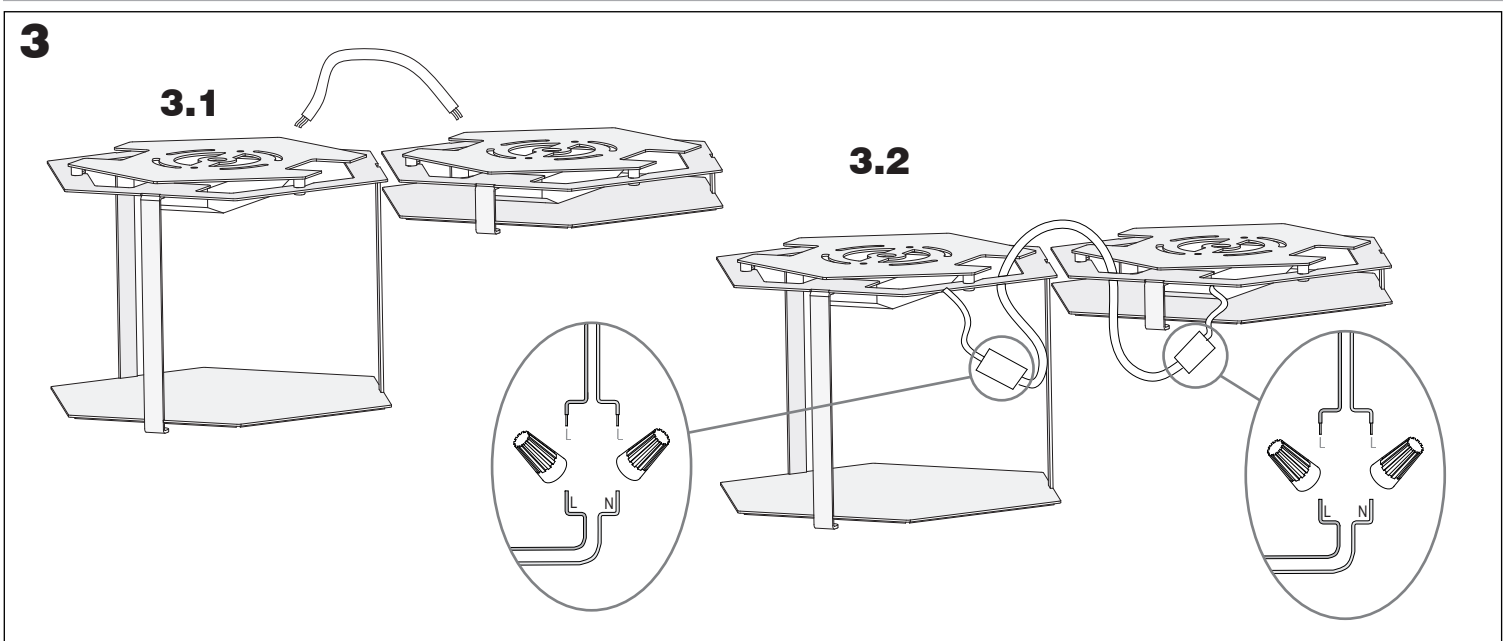
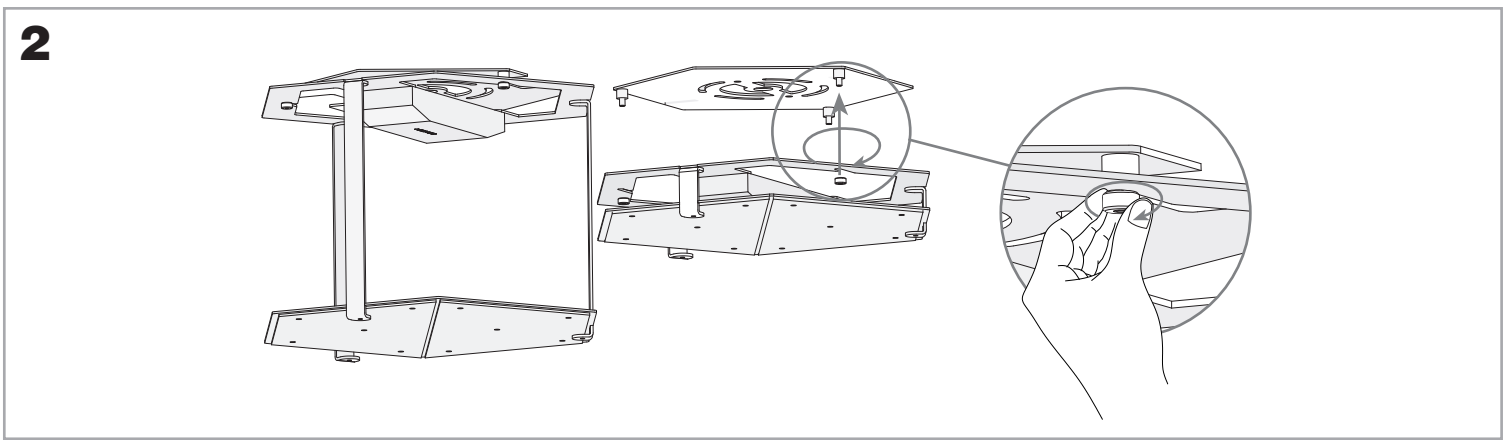
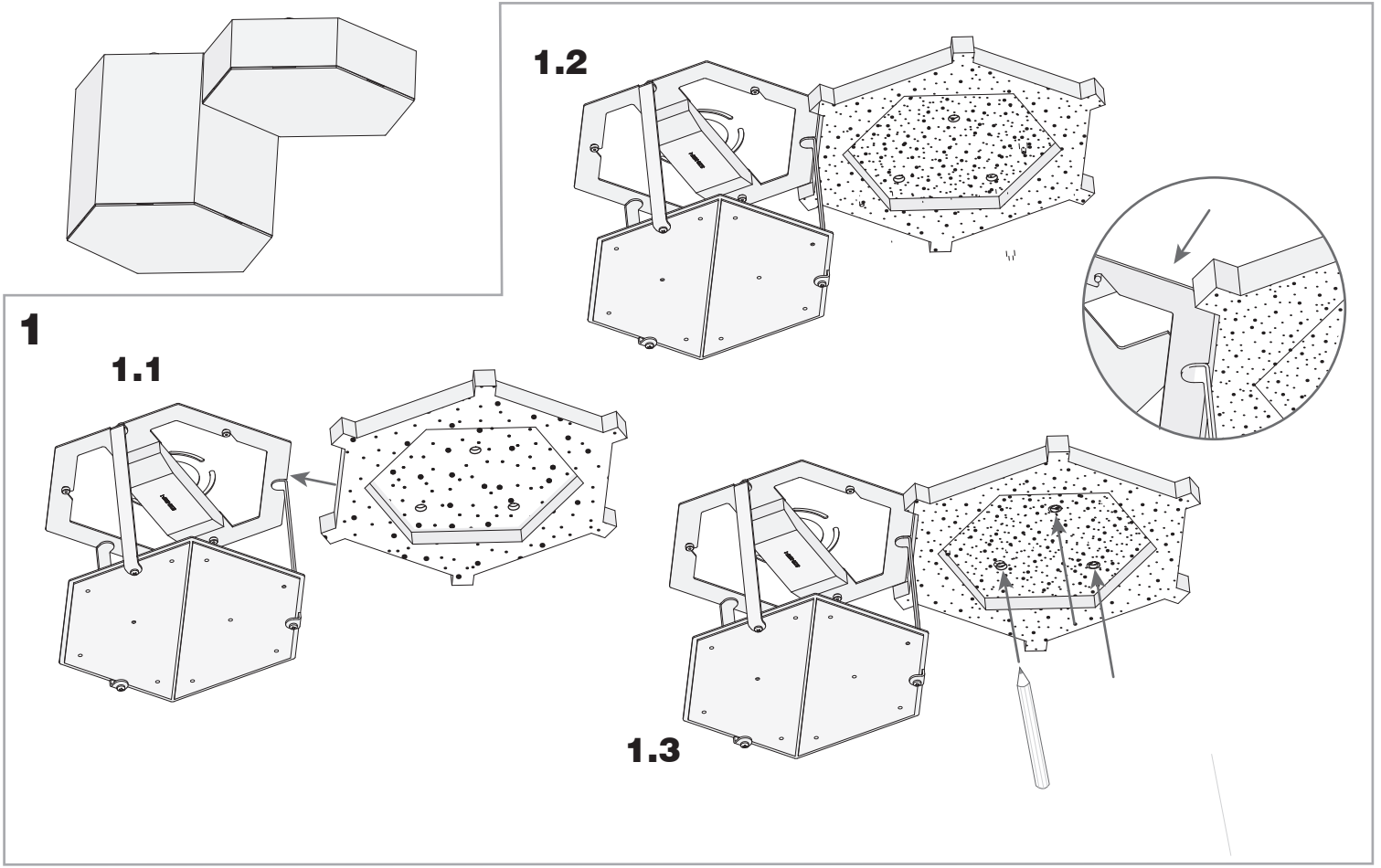


**5**

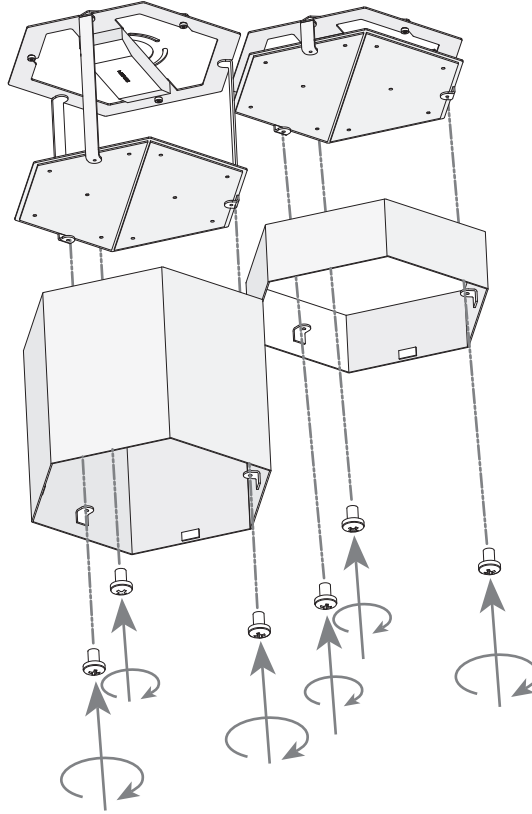


**6**

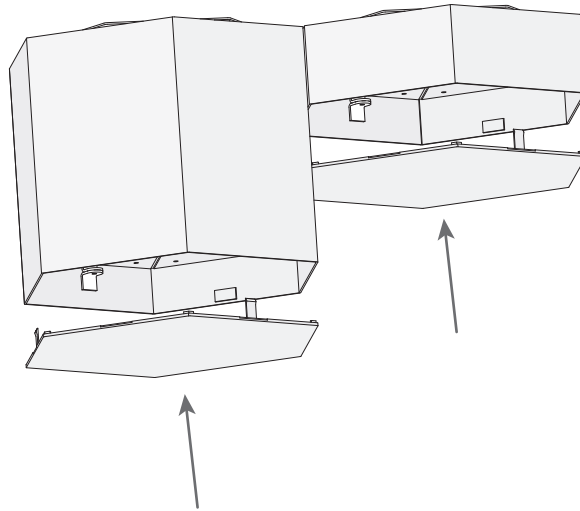




**4**



**5**



**6**

