

Premium Table lamp

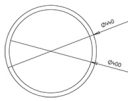
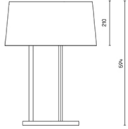
Designer: Jordi Llopis

10-5076-06-H13W v0



	Finish	Material
Structure	Copper	Steel
Diffuser	Black Matt	Textile Methacrylate

IP20  FLOOD 92o  1 



TECHNICAL CHARACTERISTICS

Light source

Lampholder: 3 x E27
Output (W): MAX 18W
Total power consumption (W): 18W
Lamp maximum dimension: 140/52 mm
Real Lumen: 2065
Quantity: 3
Lm/Real W: 115
UGR: 13.0
Recommended lamp: E27

GEAR

Voltage / Frequency:
100-240V/50-60Hz

Luminaire

Warranty: 5 Years

Logistics

Energy Efficiency: NO BULB
EAN Code: 8435381433307

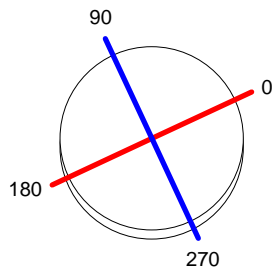
Reference	Quantity	Volume (m3)	Weight Kg (packed)
10-5076-06-82	1.00	0.0620	3.890
PAN-228-H13W	1.00		

The photograph may not match the reference exactly. Please read the product description to identify the finish.

Luminaire		Measur.		Lamp	
Code	10-5076-06-H13W	Code	10-5076-06-H13W	Code	GENIE ESAVER 18W/827
Name	Portatil PREMIUM 3x18W CFL E27	Name	Portatil PREMIUM 3x18W CFL E27	Number	3
Line	- LEDS-C4	Date	16-06-2015	Position	Universal
Efficiency	62.58%	Coordinate system	CG	Total Flux	3300.00 lm
Maximum value	407.71 cd	Position	C=90.00 G=35.00	Asymmetrical	
Round Luminaire	Diam.	440 mm	Height	210 mm	
Round Luminous Area	Diam.	440 mm	Height	210 mm	
Horizontal Luminous Area	0.152053 m2	Emitting area on Plane 180°		0.092400 m2	
Emitting area on Plane 0°	0.092400 m2	Emitting area on Plane 270°		0.092400 m2	
Emitting area on Plane 90°	0.092400 m2	Glare area at 76°		0.126440 m2	
Symmetry Type	Asymmetrical	Maximum Gamma Angle		180	
Measurement Distance	6.44	Measurement Flux		4344.00 lm	
Operator	Asselum T2	Source voltage		230.00 V	
Temperature	24.00 °C	Source current		Prc	
Humidity	53.00 %	Photocell			
Notes					

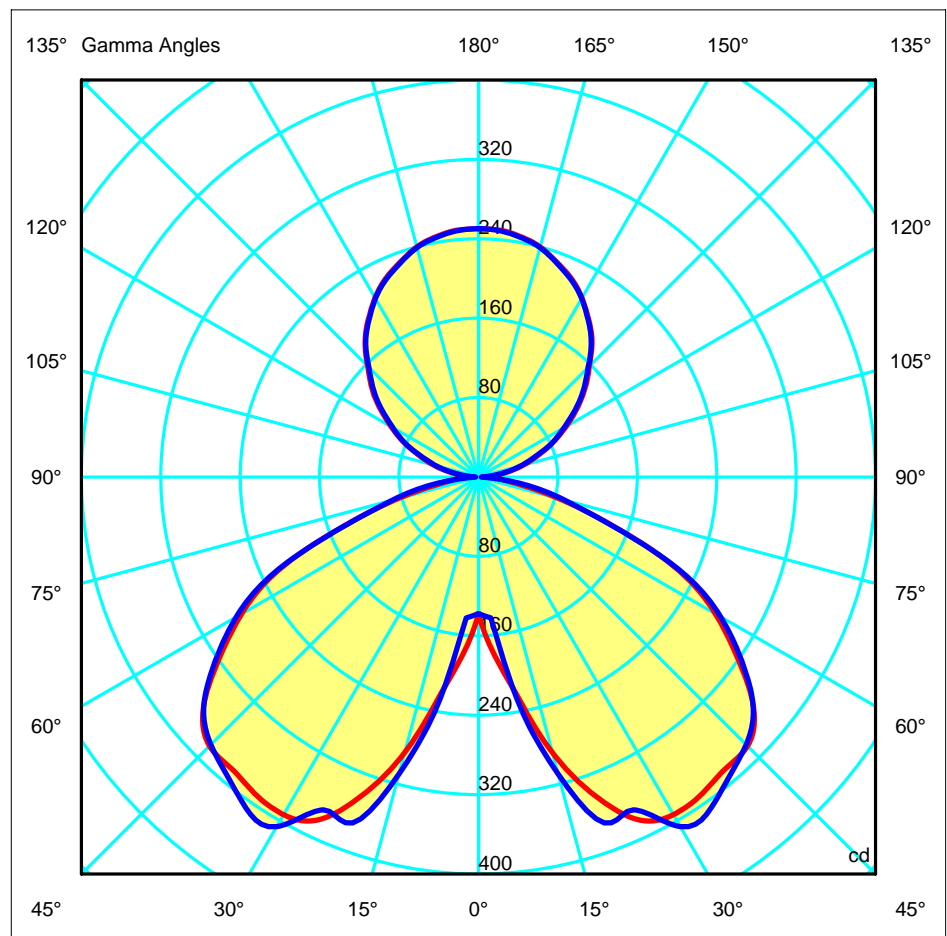
Luminaire Lamps					
Line	Code	Name	Flux [lm]	Pow. [W]	Q.ty
PHILIPS 2005 ILCOS FBT,G,C,FSQ	GENIE ESAVER 18W/827	GENIE ESAVER 18W/827 E27	1100.00	18.00	3
C.I.E.	38 76 96 67 63	D DIN 5040	B21		
F UTE	0.42 E + 0.21 T	B NBN	BZ 6 / 0.8 / BZ 5		

Diam=440mm



C Halfplanes
 180.0 — 0.0
 270.0 — 90.0

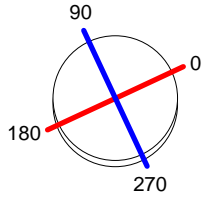
ULOR 20.91 %
 DLOR 41.67 %
 RN 33.42 %



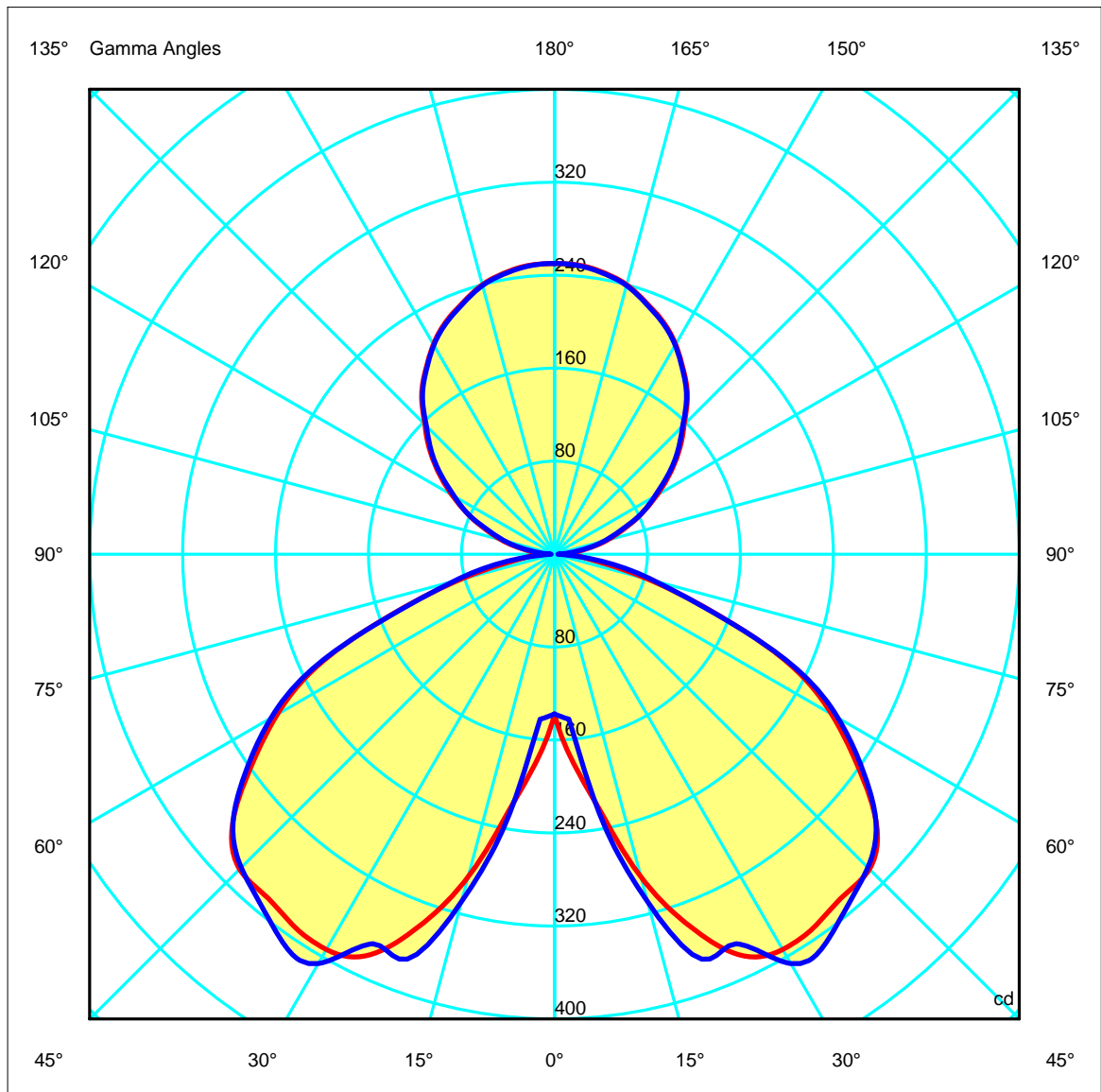
Luminaire		Measur.		Lamp	
Code	10-5076-06-H13W	Code	10-5076-06-H13W	Code	GENIE ESAVER 18W/827
Name	Portatil PREMIUM 3x18W CFL E27	Name	Portatil PREMIUM 3x18W CFL E27	Number	3
Line	- LEDS-C4	Date	16-06-2015	Position	Universal
Efficiency	62.58%	Coordinate system	CG	Total Flux	3300.00 lm
Maximum value	407.71 cd	Position	C=90.00 G=35.00	Asymmetrical	

Diam=440mm

C Halfplanes

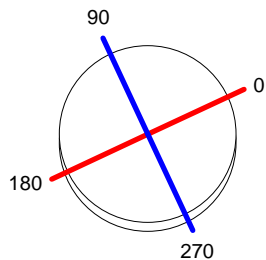


180.0 ——— 0.0
270.0 ——— 90.0

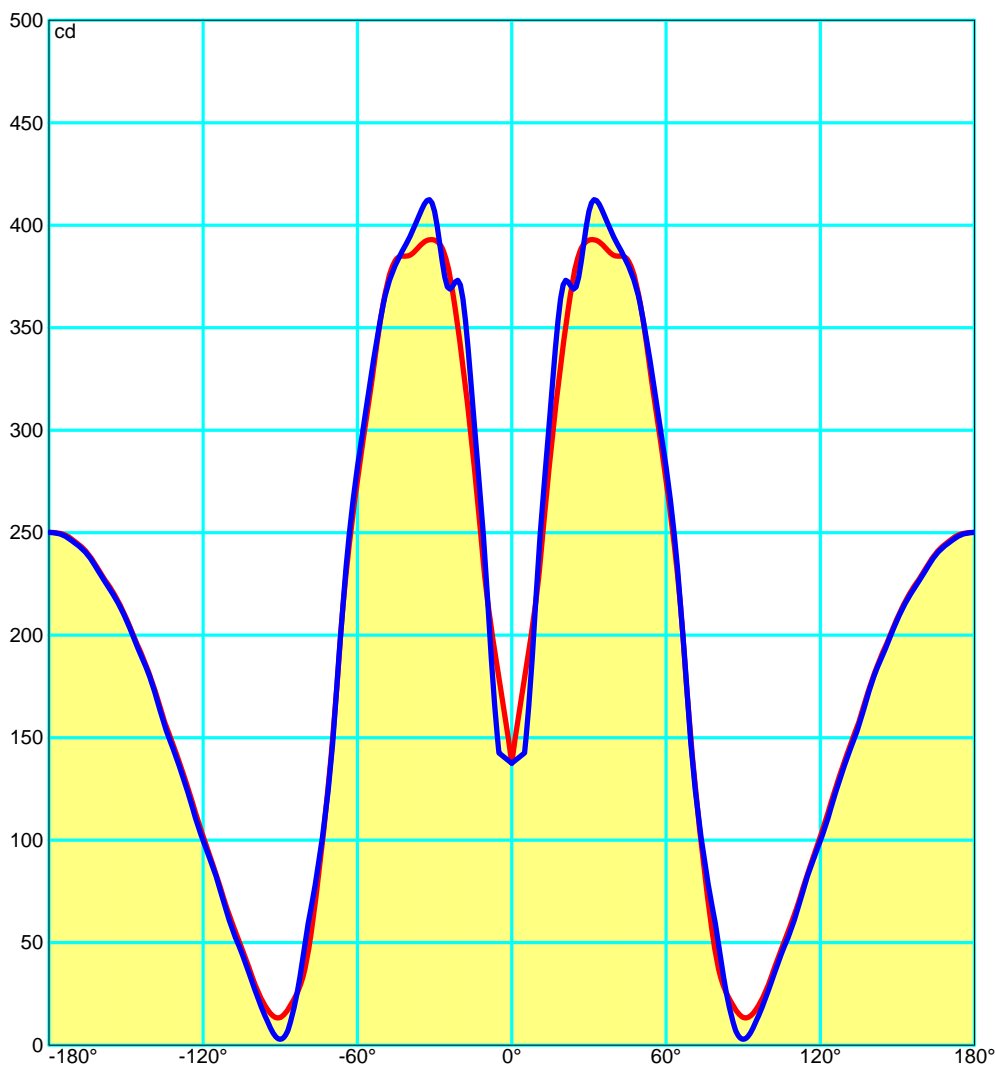


Luminaire		Measur.		Lamp	
Code	10-5076-06-H13W	Code	10-5076-06-H13W	Code	GENIE ESAVER 18W/827
Name	Portatil PREMIUM 3x18W CFL E27	Name	Portatil PREMIUM 3x18W CFL E27	Number	3
Line	- LEDS-C4	Date	16-06-2015	Position	Universal
Efficiency	62.58%	Coordinate system	CG	Total Flux	3300.00 lm
Maximum value	407.71 cd	Position	C=90.00 G=35.00	Asymmetrical	

Diam=440mm



C Halfplanes



Luminaire		Measur.		Lamp	
Code	10-5076-06-H13W	Code	10-5076-06-H13W	Code	GENIE ESAVER 18W/827
Name	Portatil PREMIUM 3x18W CFL E27	Name	Portatil PREMIUM 3x18W CFL E27	Number	3
Line	- LEDS-C4	Date	16-06-2015	Position	Universal
Efficiency	62.58%	Coordinate system	CG	Total Flux	3300.00 lm
Maximum value	407.71 cd	Position	C=90.00 G=35.00	Asymmetrical	

UGR
S = 0.250

Reflectancies										
Ceiling/Cavity	0.7	0.7	0.5	0.5	0.3	0.7	0.7	0.5	0.5	0.3
Walls	0.5	0.3	0.5	0.3	0.3	0.5	0.3	0.5	0.3	0.3
WorkingPlane	0.2	0.2	0.2	0.2	0.2	0.2	0.2	0.2	0.2	0.2
RoomDimensions	ViewedCrosswise					ViewedEndwise				
x=2H y=2H	13.0	14.0	13.7	14.7	16.0	13.4	14.4	14.1	15.2	16.0
x=2H y=3H	14.1	15.0	14.8	15.7	17.0	14.5	15.4	15.2	16.1	17.0
x=2H y=4H	14.3	15.2	15.1	15.9	17.2	14.7	15.5	15.5	16.3	17.2
x=2H y=6H	14.4	15.2	15.2	15.9	17.3	14.8	15.5	15.6	16.3	17.3
x=2H y=8H	14.4	15.1	15.1	15.9	17.2	14.8	15.5	15.5	16.3	17.2
x=2H y=12H	14.3	15.0	15.1	15.8	17.2	14.7	15.4	15.5	16.2	17.2
x=4H y=2H	13.5	14.3	14.3	15.1	16.4	13.9	14.7	14.6	15.4	16.4
x=4H y=3H	14.7	15.4	15.5	16.2	17.6	15.1	15.8	15.9	16.6	17.6
x=4H y=4H	15.0	15.6	15.9	16.5	17.8	15.4	16.0	16.2	16.8	17.8
x=4H y=6H	15.1	15.6	16.0	16.5	17.9	15.5	16.0	16.3	16.9	17.9
x=4H y=8H	15.1	15.6	15.9	16.4	17.8	15.5	15.9	16.3	16.8	17.8
x=4H y=12H	15.1	15.5	15.9	16.4	17.8	15.4	15.9	16.3	16.7	17.8
x=8H y=4H	15.1	15.6	16.0	16.4	17.8	15.4	15.9	16.3	16.8	17.8
x=8H y=6H	15.2	15.6	16.1	16.5	17.9	15.6	16.0	16.4	16.8	17.9
x=8H y=8H	15.2	15.6	16.1	16.4	17.9	15.6	15.9	16.5	16.8	17.9
x=8H y=12H	15.2	15.5	16.1	16.4	17.8	15.5	15.8	16.5	16.7	17.8
x=12H y=4H	15.1	15.5	15.9	16.4	17.7	15.4	15.8	16.3	16.7	17.7
x=12H y=6H	15.2	15.5	16.1	16.4	17.8	15.5	15.9	16.4	16.7	17.8
x=12H y=8H	15.2	15.5	16.1	16.4	17.8	15.5	15.8	16.4	16.7	17.8

Luminaire		Measur.		Lamp	
Code	10-5076-06-H13W	Code	10-5076-06-H13W	Code	GENIE ESAVER 18W/827
Name	Portatil PREMIUM 3x18W CFL E27	Name	Portatil PREMIUM 3x18W CFL E27	Number	3
Line	- LEDS-C4	Date	16-06-2015	Position	Universal
Efficiency	62.58%	Coordinate system	CG	Total Flux	3300.00 lm
Maximum value	407.71 cd	Position	C=90.00 G=35.00	Asymmetrical	

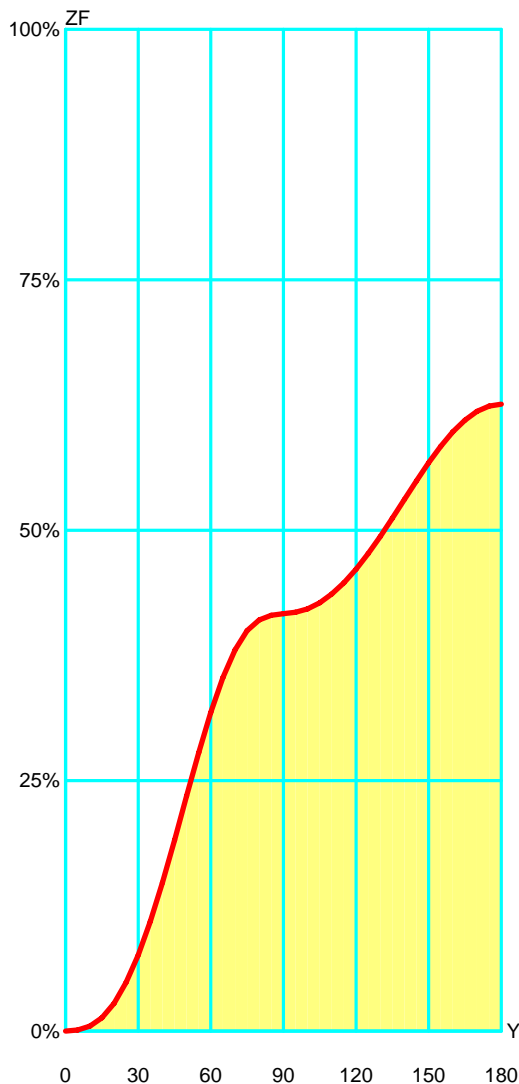
Total Flux=3300.00 Luminaire Flux=2065.11

RI	0.60	0.80	1.00	1.25	1.50	2.00	2.50	3.00	4.00	5.00	10.00	20.00
DRR	0.23	0.33	0.41	0.49	0.55	0.65	0.71	0.75	0.81	0.84	0.92	0.96
RC	7	6	6	6	6	6	6	6	5	5	5	5

Zonal Flux per 1000 Lumen																		
Y°	10	20	30	40	50	60	70	80	90	100	110	120	130	140	150	160	170	180
ZF(Y)	5	28	76	148	235	318	381	410	417	422	436	461	494	531	567	598	619	626

CIE Flux Codes
38 76 96 67 63

C.I.E.	7/6/6/6/6/6/6/5/5/5/5	LOR	62.57921 %
D DIN 5040	B21	ULOR	20.91348 %
F UTE	0.42 E + 0.21 T	DLOR	41.66574 %
B NBN	BZ 6 / 0.8 / BZ 5	UFF	33.41921 %
RN	33.41921 %	DFF	66.58079 %
BLF	1.0	FFR	50.19346 %



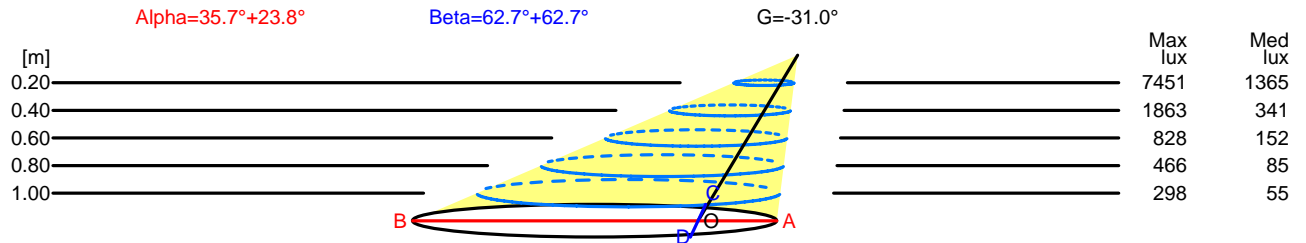
Gamma °	Zonal Flux			
	Flux	Sum lm	Flux [%]	Sum [%]
0°	0.00	0.00	0.00%	0.00%
5°	1.06	1.06	0.17%	0.17%
10°	3.89	4.95	0.62%	0.79%
15°	8.35	13.30	1.33%	2.13%
20°	14.33	27.63	2.29%	4.41%
25°	20.98	48.61	3.35%	7.77%
30°	27.36	75.97	4.37%	12.14%
35°	33.38	109.35	5.33%	17.47%
40°	38.74	148.08	6.19%	23.66%
45°	42.52	190.60	6.80%	30.46%
50°	44.16	234.76	7.06%	37.51%
55°	43.28	278.04	6.92%	44.43%
60°	40.07	318.11	6.40%	50.83%
65°	34.86	352.97	5.57%	56.40%
70°	27.57	380.54	4.41%	60.81%
75°	19.20	399.74	3.07%	63.88%
80°	10.75	410.49	1.72%	65.60%
85°	4.54	415.03	0.72%	66.32%
90°	1.63	416.66	0.26%	66.58%
95°	1.47	418.13	0.23%	66.82%
100°	3.43	421.55	0.55%	67.36%
105°	6.08	427.63	0.97%	68.33%
110°	8.68	436.31	1.39%	69.72%
115°	11.20	447.52	1.79%	71.51%
120°	13.56	461.08	2.17%	73.68%
125°	15.52	476.59	2.48%	76.16%
130°	17.14	493.73	2.74%	78.90%
135°	18.21	511.94	2.91%	81.81%
140°	18.79	530.73	3.00%	84.81%
145°	18.73	549.46	2.99%	87.80%
150°	17.91	567.38	2.86%	90.67%
155°	16.45	583.82	2.63%	93.29%
160°	14.34	598.16	2.29%	95.58%
165°	11.74	609.90	1.88%	97.46%
170°	8.72	618.62	1.39%	98.85%
175°	5.36	623.98	0.86%	99.71%
180°	1.81	625.79	0.29%	100.00%


Luminaire		Measur.		Lamp	
Code	10-5076-06-H13W	Code	10-5076-06-H13W	Code	GENIE ESAVER 18W/827
Name	Portatil PREMIUM 3x18W CFL E27	Name	Portatil PREMIUM 3x18W CFL E27	Number	3
Line	- LEDS-C4	Date	16-06-2015	Position	Universal
Efficiency	62.58%	Coordinate system	CG	Total Flux	3300.00 lm
Maximum value	407.71 cd	Position	C=90.00 G=35.00	Asymmetrical	


Width at 50.00 % of Max Intensity

H[m]	0.20	0.40	0.60	0.80	1.00	H[m]	0.20	0.40	0.60	0.80	1.00
OA	0.10	0.19	0.29	0.38	0.48	OC	0.45	0.90	1.36	1.81	2.26
OB	0.34	0.69	1.03	1.38	1.72	OD	0.45	0.90	1.36	1.81	2.26

	Luminous Intensities [cd]									
	0	5	15	25	35	45	55	65	75	85
OA	137.54	179.48	287.75	381.00	390.87	383.28	318.99	222.35	84.10	21.73
OB	137.54	179.48	287.75	381.00	390.87	383.28	318.99	222.35	84.10	21.73
OC	137.54	142.53	309.75	369.87	407.71	381.30	323.86	225.34	89.49	16.11
OD	137.54	142.53	309.75	369.87	407.71	381.30	323.86	225.34	89.49	16.11



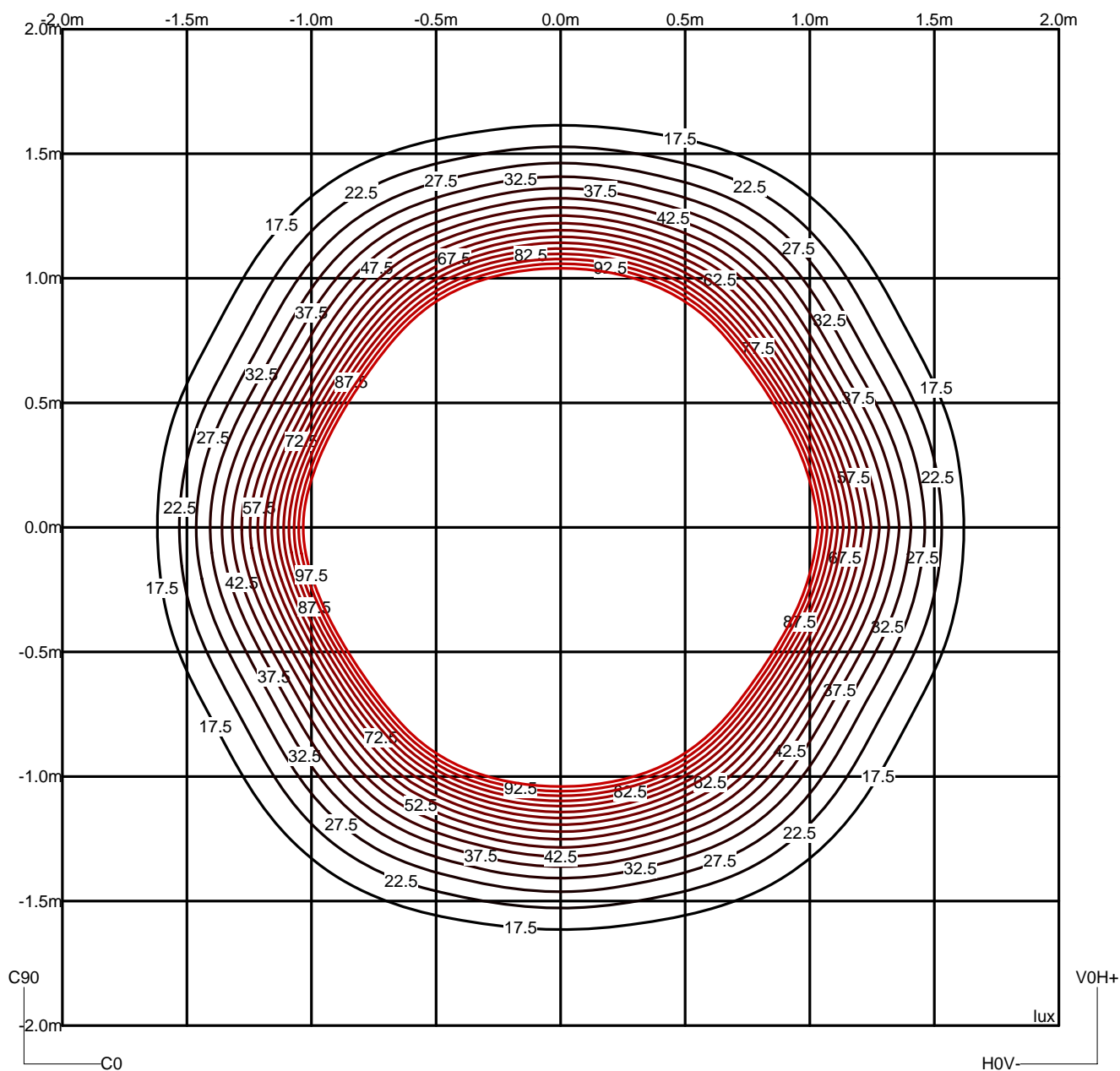
H[m]	D[m]	Max lux	Med lux	Alpha=35.7°+23.8°	G=-31.0	
0.20	0.44	7451	1365			
0.40	0.88	1863	341			
0.60	1.32	828	152			
0.80	1.76	466	85			
1.00	2.20	298	55			

H[m]	D[m]	Max lux	Med lux	Beta=62.7°+62.7°	G=0.0	
0.20	0.90	7451	1365			
0.40	1.81	1863	341			
0.60	2.71	828	152			
0.80	3.62	466	85			
1.00	4.52	298	55			

Luminaire		Measur.		Lamp	
Code	10-5076-06-H13W	Code	10-5076-06-H13W	Code	GENIE ESAVER 18W/827
Name	Portatil PREMIUM 3x18W CFL E27	Name	Portatil PREMIUM 3x18W CFL E27	Number	3
Line	- LEDS-C4	Date	16-06-2015	Position	Universal
Efficiency	62.58%	Coordinate system	CG	Total Flux	3300.00 lm
Maximum value	407.71 cd	Position	C=90.00 G=35.00	Asymmetrical	

Isolux (Floor)

Luminaire position X=0.00m Y=0.00m Z=0.60m



Luminaire		Measur.		Lamp	
Code	10-5076-06-H13W	Code	10-5076-06-H13W	Code	GENIE ESAVER 18W/827
Name	Portatil PREMIUM 3x18W CFL E27	Name	Portatil PREMIUM 3x18W CFL E27	Number	3
Line	- LEDS-C4	Date	16-06-2015	Position	Universal
Efficiency	62.58%	Coordinate system	CG	Total Flux	3300.00 lm
Maximum value	407.71 cd	Position	C=90.00 G=35.00	Asymmetrical	

Utilizations CIE

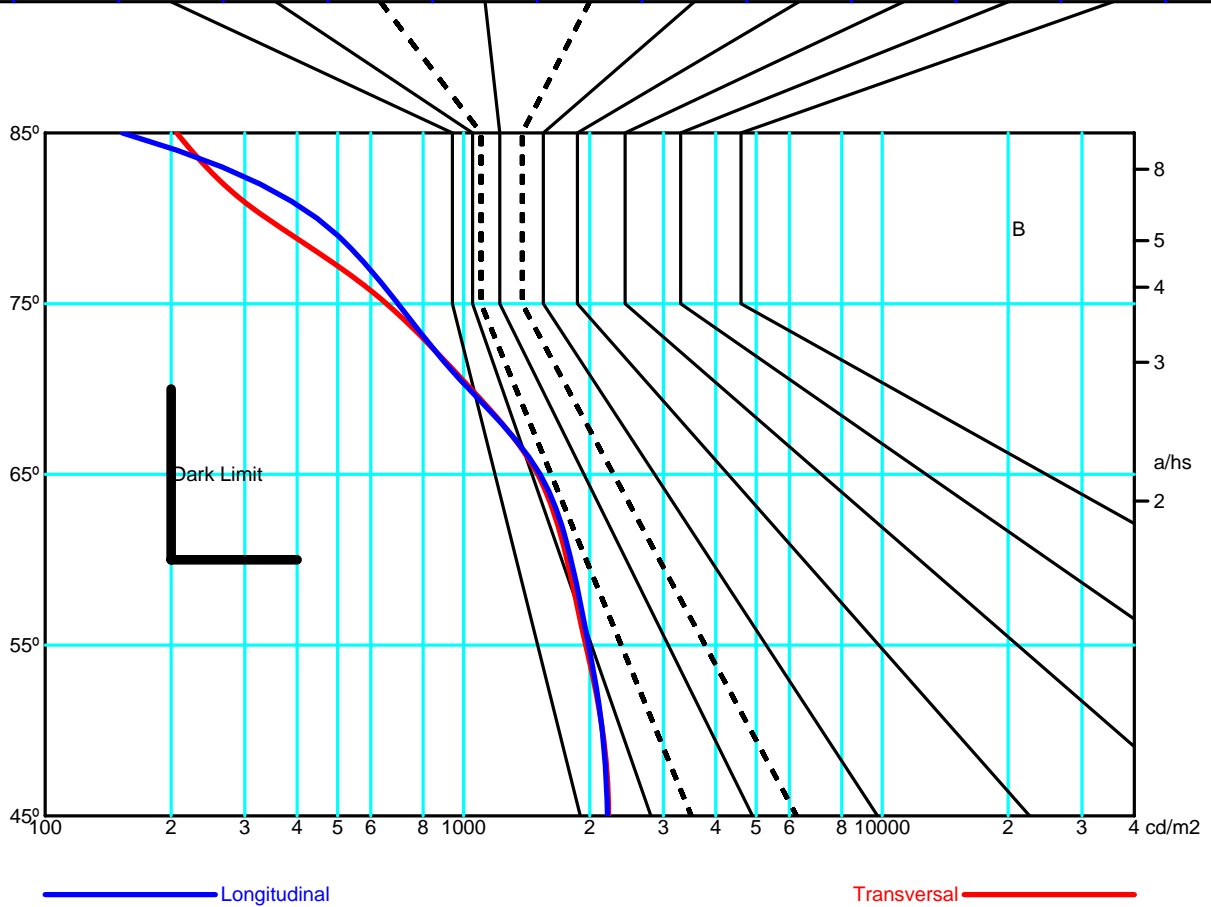
Mounting	Direct	Normalization										Suspension Ratio					Standard CIE Settings						
		Normalised	Normalised	Normalised	Normalised	Normalised	Normalised	Normalised	Normalised	Normalised	Normalised	1/3	1/2	2/3	1/3	1/2	2/3	1/3	1/2	2/3	1/3	1/2	2/3
Ceiling																							
K	8873	8773	8871	8771	7773	7771	7753	7553	7751	7551	7731	7331	7711	7111	5551	5531	5331	5511	5111	3331	3311	1111	0000
0.60	280	251	257	232	239	221	198	168	187	160	165	124	148	101	149	133	117	121	96	111	102	88	78
0.80	311	285	275	254	271	243	227	198	208	183	183	145	164	120	171	152	137	138	114	130	119	105	93
1.00	332	309	284	266	294	255	249	222	221	198	196	161	176	135	186	167	153	151	129	145	133	118	105
1.25	350	330	289	274	314	263	270	245	232	212	207	176	187	150	199	180	167	165	144	159	147	132	116
1.50	363	345	291	279	328	268	286	263	239	221	215	188	196	162	209	190	179	175	155	170	158	144	125
2.00	379	365	291	281	348	272	310	290	247	233	227	203	209	180	221	204	194	190	173	186	174	161	139
2.50	390	378	290	282	361	273	327	309	252	240	234	214	218	193	229	214	205	201	186	197	186	174	149
3.00	397	387	288	282	370	274	339	324	255	245	239	222	225	202	234	221	213	209	196	205	195	183	157
4.00	407	399	285	281	382	274	356	344	259	252	246	232	234	216	241	230	224	220	209	216	208	197	167
5.00	413	406	284	280	389	274	368	357	262	255	250	239	240	225	246	236	231	228	218	224	216	206	174
10.00	426	423	279	277	406	273	393	387	266	263	260	254	254	245	255	249	247	244	239	240	235	227	190
20.00	433	431	276	275	414	271	407	404	268	266	265	262	261	257	259	257	255	254	251	249	246	240	199
Wall																							
K	8873	8773	8871	8771	7773	7771	7753	7553	7751	7551	7731	7331	7711	7111	5551	5531	5331	5511	5111	3331	3311	1111	0000
0.60	271	255	242	229	247	222	195	181	180	168	151	135	130	113	161	137	131	119	111	128	112	106	96
0.80	309	294	268	256	282	247	230	215	206	194	177	160	155	136	185	160	154	142	132	149	132	125	112
1.00	336	321	284	273	306	263	256	240	224	212	196	178	174	154	200	177	170	159	149	163	147	138	124
1.25	359	345	296	286	328	274	280	264	240	228	213	196	191	172	214	192	185	174	164	176	161	150	134
1.50	375	362	303	295	343	282	298	283	251	240	225	209	205	185	224	203	197	186	176	186	171	159	141
2.00	394	383	309	302	361	288	321	307	262	252	240	224	221	203	233	216	209	200	190	196	183	169	148
2.50	406	396	311	305	372	291	337	324	268	260	249	235	232	215	239	223	218	210	200	202	191	175	152
3.00	414	405	311	306	379	291	348	336	272	264	255	242	240	223	242	228	223	216	207	206	196	178	154
4.00	426	418	313	309	391	294	365	354	278	272	264	253	251	237	248	237	232	226	219	213	204	185	158
5.00	434	428	315	312	399	296	376	367	283	278	271	262	260	247	253	243	239	234	227	218	211	190	162
10.00	453	449	320	318	417	302	404	398	295	292	287	282	281	273	264	258	256	252	248	231	226	202	171
20.00	463	461	321	320	427	305	419	416	300	299	296	293	292	288	269	266	265	263	260	238	235	209	176
Working Pl.																							
K	8873	8773	8871	8771	7773	7771	7753	7553	7751	7551	7731	7331	7711	7111	5551	5531	5331	5511	5111	3331	3311	1111	0000
0.60	294	278	274	260	268	251	204	190	196	184	159	143	132	116	175	143	138	120	112	133	112	106	96
0.80	363	345	334	320	330	307	265	249	253	239	214	195	185	164	225	193	186	168	158	178	156	147	136
1.00	417	399	380	366	380	350	316	298	299	283	260	239	230	207	266	235	227	210	198	216	194	182	169
1.25	468	451	422	409	427	391	366	347	343	328	306	284	277	251	306	276	268	252	239	253	232	217	203
1.50	507	490	453	441	463	421	406	387	377	362	342	319	313	286	337	308	300	285	271	282	262	244	229
2.00	562	548	495	485	516	463	465	447	426	413	396	374	370	343	382	357	349	336	322	326	309	285	269
2.50	599	585	522	514	550	490	505	488	459	446	431	411	408	382	411	390	382	371	357	355	340	313	295
3.00	624	613	541	533	574	509	534	518	481	470	457	438	436	411	432	413	406	396	383	376	362	332	314
4.00	657	648	564	558	606	532	573	559	510	501	490	474	472	451	459	443	437	429	418	402	391	357	337
5.00	678	670	578	573	625	546	597	585	528	520	511	497	495	476	475	462	457	450	440	419	409	372	352
10.00	721	717	606	603	667	575	651	644	565	561	555	547	546	535	510	503	499	496	489	454	449	405	382
20.00	744	742	620	619	689	590	681	677	585	583	580	575	575	568	529	525	523	521	517	474	471	423	399

LM53 SHR C0-C180: 2.703 SHR C90-C270: 2.728 SHR Square: 1.980

Luminaire		Measur.		Lamp	
Code	10-5076-06-H13W	Code	10-5076-06-H13W	Code	GENIE ESAVER 18W/827
Name	Portatil PREMIUM 3x18W CFL E27	Name	Portatil PREMIUM 3x18W CFL E27	Number	3
Line	- LEDS-C4	Date	16-06-2015	Position	Universal
Efficiency	62.58%	Coordinate system	CG	Total Flux	3300.00 lm
Maximum value	407.71 cd	Position	C=90.00 G=35.00	Asymmetrical	

Average Luminance [cd/m ²]										
0.0°	45°	50°	55°	60°	65°	70°	75°	80°	85°	---
90.0°	2217	2147	1958	1766	1502	1042	654	339	206	---
	2206	2144	1988	1805	1523	1030	696	446	153	---

Flush mounted or transversal view												
		Illumination(lx)										
A	A	2000	1000	750	500		<300					1.15
B	1		2000	1500	1000	750	500	<300				1.5
C					2000		1000	500	<300			1.85
D	2						2000	1000	500	<300		2.2
E	3							2000	1000	500	<300	2.55



Luminaire		Measuram.		Lamp	
Code	10-5076-06-H13W	Code	10-5076-06-H13W	Code	GENIE ESAVER 18W/827
Name	Portatil PREMIUM 3x18W CFL E27	Name	Portatil PREMIUM 3x18W CFL E27	Number	3
Line	- LEDS-C4	Date	16-06-2015	Position	Universal
Efficiency	62.58%	Coordinate system	CG	Total Flux	3300.00 lm
Maximum value	407.71 cd	Position	C=90.00 G=35.00		Asymmetrical

Luminance



Luminaire		Measur.		Lamp									
Code	10-5076-06-H13W	Code	10-5076-06-H13W	Code	GENIE ESAVER 18W/827								
Name	Portatil PREMIUM 3x18W CFL E27	Name	Portatil PREMIUM 3x18W CFL E27	Number	3								
Line	- LEDS-C4	Date	16-06-2015	Position	Universal								
Efficiency	62.58%	Coordinate system	CG	Total Flux	3300.00 lm								
Maximum value	407.71 cd	Position	C=90.00 G=35.00	Asymmetrical									
Luminance cd/m2 Table 1/3													
	C 0.00	C 10.00	C 20.00	C 30.00	C 40.00	C 50.00	C 60.00	C 70.00	C 80.00	C 90.00	C 100.00	C 110.00	C 120.00
G 0.0	904.56	904.56	904.56	904.56	904.56	904.56	904.56	904.56	904.56	904.56	904.56	904.56	904.56
G 5.0	1125.06	1104.10	1023.14	871.05	845.59	903.09	968.52	994.13	946.31	893.48	946.32	994.11	968.52
G 10.0	1346.58	1250.90	1227.55	1247.33	1210.43	1137.70	1116.31	1221.25	1341.47	1386.70	1341.42	1221.34	1116.31
G 15.0	1684.85	1550.99	1512.75	1511.36	1453.04	1400.78	1400.75	1453.12	1647.96	1813.64	1647.89	1453.25	1400.75
G 20.0	1952.56	2047.16	1942.19	1707.29	1600.28	1571.05	1594.26	1732.04	1971.04	2125.50	1971.09	1731.92	1594.26
G 25.0	2154.27	2153.57	2088.67	1904.12	1764.01	1752.38	1843.06	1938.87	2035.79	2091.34	2035.81	1938.83	1843.06
G 30.0	2207.77	2199.18	2167.19	2067.47	1940.67	1921.00	1970.47	1984.62	2102.88	2286.46	2102.88	1984.62	1970.47
G 35.0	2201.42	2215.66	2207.66	2175.73	2136.55	2098.65	2054.82	2021.59	2149.75	2296.25	2149.76	2057.10	2054.82
G 40.0	2189.88	2210.48	2227.03	2220.35	2178.82	2175.64	2189.01	2138.81	2167.20	2236.88	2167.21	2138.79	2189.01
G 45.0	2217.38	2162.15	2133.48	2119.46	2095.88	2135.71	2198.82	2168.95	2168.82	2205.90	2168.80	2169.00	2198.82
G 50.0	2147.00	2099.79	2048.80	1996.31	1963.35	2016.28	2106.94	2109.01	2120.02	2143.83	2120.00	2109.01	2106.94
G 55.0	1958.16	1898.50	1827.12	1766.38	1767.69	1859.81	1971.64	1976.91	1979.85	1988.06	1979.83	1976.91	1971.64
G 60.0	1765.56	1684.77	1594.85	1531.35	1556.18	1658.04	1769.20	1810.87	1810.05	1804.79	1810.02	1810.94	1769.20
G 65.0	1502.32	1401.20	1296.75	1241.57	1308.99	1434.15	1519.51	1505.99	1503.75	1522.54	1503.71	1505.99	1519.51
G 70.0	1042.06	1054.79	1036.57	1012.37	1079.66	1160.75	1178.09	1113.43	1048.62	1029.97	1048.63	1113.41	1178.09
G 75.0	653.95	696.35	711.16	713.42	741.88	762.76	753.52	725.12	702.22	695.83	702.24	725.08	753.52
G 80.0	338.64	357.39	329.79	287.28	307.90	349.20	355.71	339.14	372.19	446.39	372.20	339.14	355.71
G 85.0	206.36	165.38	128.91	113.55	133.04	140.19	135.31	134.77	144.94	153.00	144.93	134.81	135.31
G 90.0	145.72	71.93	51.27	63.64	43.04	31.65	32.63	32.41	31.34	30.58	31.31	32.41	32.63

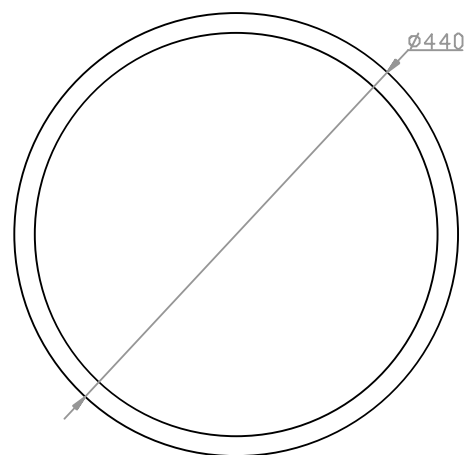
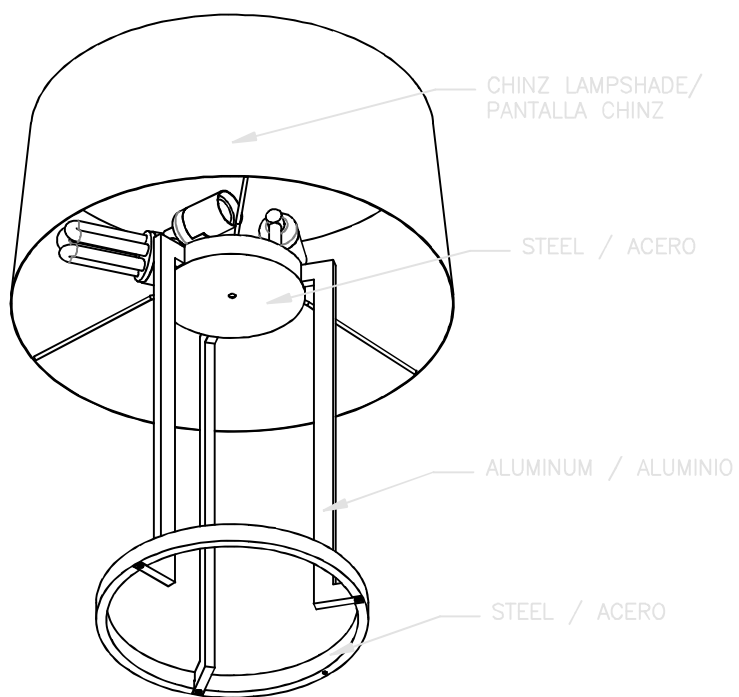
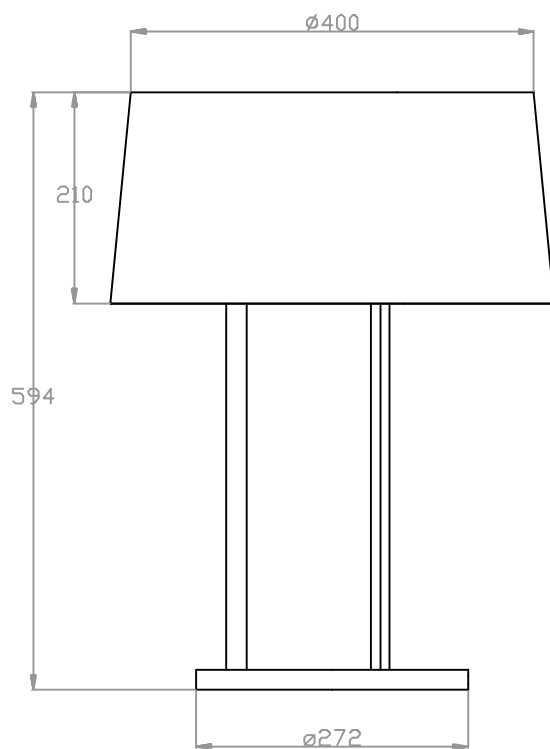
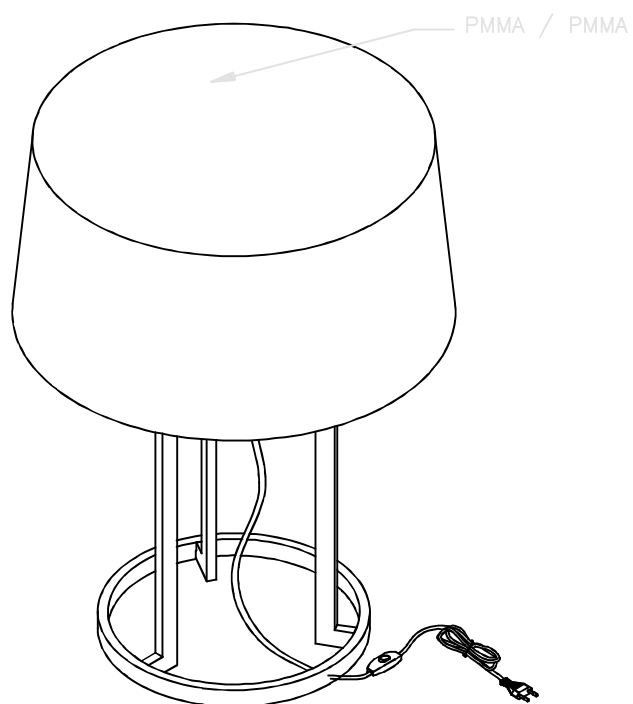
Luminaire		Measur.		Lamp	
Code	10-5076-06-H13W	Code	10-5076-06-H13W	Code	GENIE ESAVER 18W/827
Name	Portatil PREMIUM 3x18W CFL E27	Name	Portatil PREMIUM 3x18W CFL E27	Number	3
Line	- LEDS-C4	Date	16-06-2015	Position	Universal

Efficiency	62.58%	Coordinate system	CG	Total Flux	3300.00 lm
Maximum value	407.71 cd	Position	C=90.00 G=35.00	Asymmetrical	

Luminance cd/m2 Table 2/3

	C 130.00	C 140.00	C 150.00	C 160.00	C 170.00	C 180.00	C 190.00	C 200.00	C 210.00	C 220.00	C 230.00	C 240.00	C 250.00
G 0.0	904.56	904.56	904.56	904.56	904.56	904.56	904.56	904.56	904.56	904.56	904.56	904.56	904.56
G 5.0	903.20	845.32	871.05	1024.64	1124.34	1125.06	1124.34	1024.64	871.05	845.32	903.20	968.52	994.11
G 10.0	1137.18	1211.76	1247.33	1220.22	1269.41	1346.58	1269.41	1220.22	1247.33	1211.76	1137.18	1116.31	1221.34
G 15.0	1400.06	1454.87	1511.36	1512.75	1576.51	1684.85	1576.51	1512.75	1511.36	1454.87	1400.06	1400.75	1453.25
G 20.0	1571.68	1598.69	1707.29	1950.96	2025.01	1952.56	2025.01	1950.96	1707.29	1598.69	1571.68	1594.26	1731.92
G 25.0	1752.60	1763.47	1904.12	2091.67	2153.57	2154.27	2171.01	2091.67	1904.12	1763.47	1752.60	1843.06	1938.83
G 30.0	1921.04	1940.58	2067.47	2167.67	2206.68	2207.77	2206.68	2167.67	2067.47	1940.58	1921.04	1970.47	1984.62
G 35.0	2098.74	2136.33	2175.73	2208.88	2212.57	2201.42	2212.57	2208.88	2175.73	2136.33	2098.74	2054.82	2021.58
G 40.0	2175.74	2178.56	2220.35	2228.46	2206.87	2189.88	2206.87	2228.46	2220.35	2178.56	2175.74	2189.01	2138.79
G 45.0	2135.42	2096.62	2119.46	2129.43	2172.37	2217.38	2172.37	2129.43	2119.46	2096.62	2135.42	2198.82	2169.00
G 50.0	2016.06	1963.92	1996.31	2045.65	2107.73	2147.00	2107.73	2045.65	1996.31	1963.92	2016.06	2106.94	2109.01
G 55.0	1859.53	1768.39	1766.38	1823.24	1908.30	1958.16	1908.30	1823.24	1766.38	1768.39	1859.53	1971.64	1976.91
G 60.0	1657.66	1557.14	1531.35	1589.52	1698.25	1765.56	1698.25	1589.52	1531.35	1557.14	1657.66	1769.20	1810.94
G 65.0	1433.67	1310.22	1241.57	1289.99	1418.29	1502.32	1418.29	1289.99	1241.57	1310.22	1433.67	1519.51	1505.99
G 70.0	1160.85	1079.42	1012.37	1036.57	1046.47	1042.06	1046.47	1036.57	1012.37	1079.42	1160.85	1178.09	1113.41
G 75.0	762.99	741.30	713.42	710.04	688.28	653.95	688.28	710.04	713.42	741.30	762.99	753.52	725.08
G 80.0	349.33	307.57	287.28	331.61	347.03	338.64	347.03	331.61	287.28	307.57	349.33	355.71	339.14
G 85.0	140.19	133.55	113.55	126.10	172.48	206.36	172.48	126.10	113.55	133.55	140.19	135.31	134.81
G 90.0	31.65	44.06	63.64	56.30	86.12	145.72	86.12	56.30	63.64	44.06	31.65	32.63	32.41

Luminaire		Measur.		Lamp						
Code	10-5076-06-H13W	Code	10-5076-06-H13W	Code	GENIE ESAVER 18W/827					
Name	Portatil PREMIUM 3x18W CFL E27	Name	Portatil PREMIUM 3x18W CFL E27	Number	3					
Line	- LEDS-C4	Date	16-06-2015	Position	Universal					
Efficiency	62.58%	Coordinate system	CG	Total Flux	3300.00 lm					
Maximum value	407.71 cd	Position	C=90.00 G=35.00	Asymmetrical						
Luminance cd/m2 Table 3/3										
	C 260.00	C 270.00	C 280.00	C 290.00	C 300.00	C 310.00	C 320.00	C 330.00	C 340.00	C 350.00
G 0.0	904.56	904.56	904.56	904.56	904.56	904.56	904.56	904.56	904.56	904.56
G 5.0	946.32	893.48	946.31	994.13	968.52	903.09	845.59	871.05	1023.14	1104.10
G 10.0	1341.42	1386.70	1341.47	1221.25	1116.31	1137.70	1210.43	1247.33	1227.55	1250.90
G 15.0	1647.89	1813.64	1647.96	1453.12	1400.75	1400.78	1453.04	1511.36	1512.75	1550.99
G 20.0	1971.09	2125.50	1971.04	1732.04	1594.26	1571.05	1600.28	1707.29	1942.19	2047.16
G 25.0	2035.81	2091.34	2035.79	1938.87	1843.06	1752.38	1764.01	1904.12	2088.67	2153.57
G 30.0	2102.88	2286.46	2102.88	1984.62	1970.47	1921.00	1940.67	2067.47	2167.19	2199.18
G 35.0	2149.76	2296.25	2149.75	2057.10	2054.82	2098.65	2136.55	2175.73	2207.66	2215.66
G 40.0	2167.21	2236.88	2167.20	2138.81	2189.01	2175.64	2178.82	2220.35	2227.03	2210.48
G 45.0	2168.80	2205.90	2168.82	2168.95	2198.82	2135.71	2095.88	2119.46	2133.48	2162.15
G 50.0	2120.00	2143.83	2120.02	2109.01	2106.94	2016.28	1963.35	1996.31	2048.80	2099.79
G 55.0	1979.83	1988.06	1979.85	1976.91	1971.64	1859.81	1767.69	1766.38	1827.12	1898.50
G 60.0	1810.02	1804.79	1810.05	1810.87	1769.20	1658.04	1556.18	1531.35	1594.85	1684.77
G 65.0	1503.71	1522.54	1503.75	1505.99	1519.51	1434.15	1308.99	1241.57	1296.75	1401.20
G 70.0	1048.63	1029.97	1048.62	1113.43	1178.09	1160.75	1079.66	1012.37	1036.57	1054.79
G 75.0	702.24	695.83	702.22	725.12	753.52	762.76	741.88	713.42	711.16	696.35
G 80.0	372.20	446.39	372.19	339.14	355.71	349.20	307.90	287.28	329.79	357.39
G 85.0	144.93	153.00	144.94	134.77	135.31	140.19	133.04	113.55	128.91	165.38
G 90.0	31.31	30.58	31.34	32.41	32.63	31.65	43.04	63.64	51.27	71.93

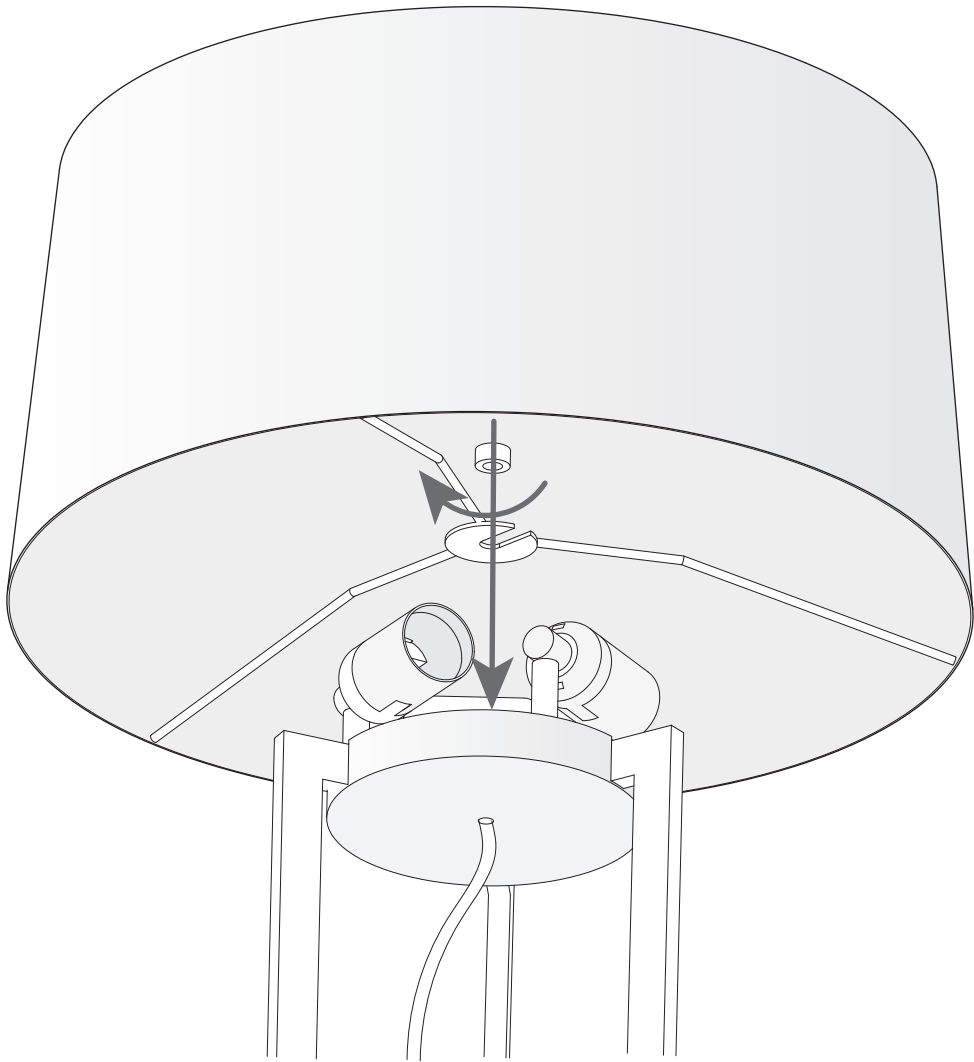


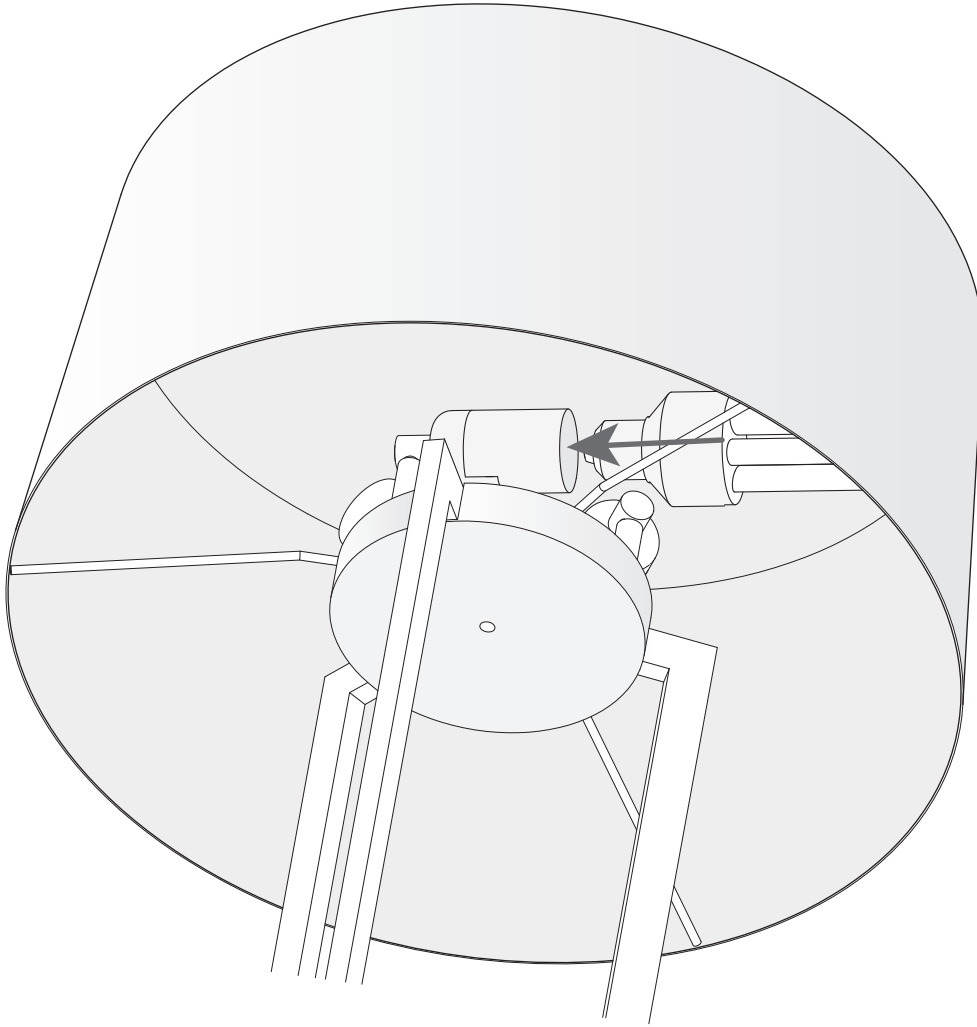
Grok

Light is life.

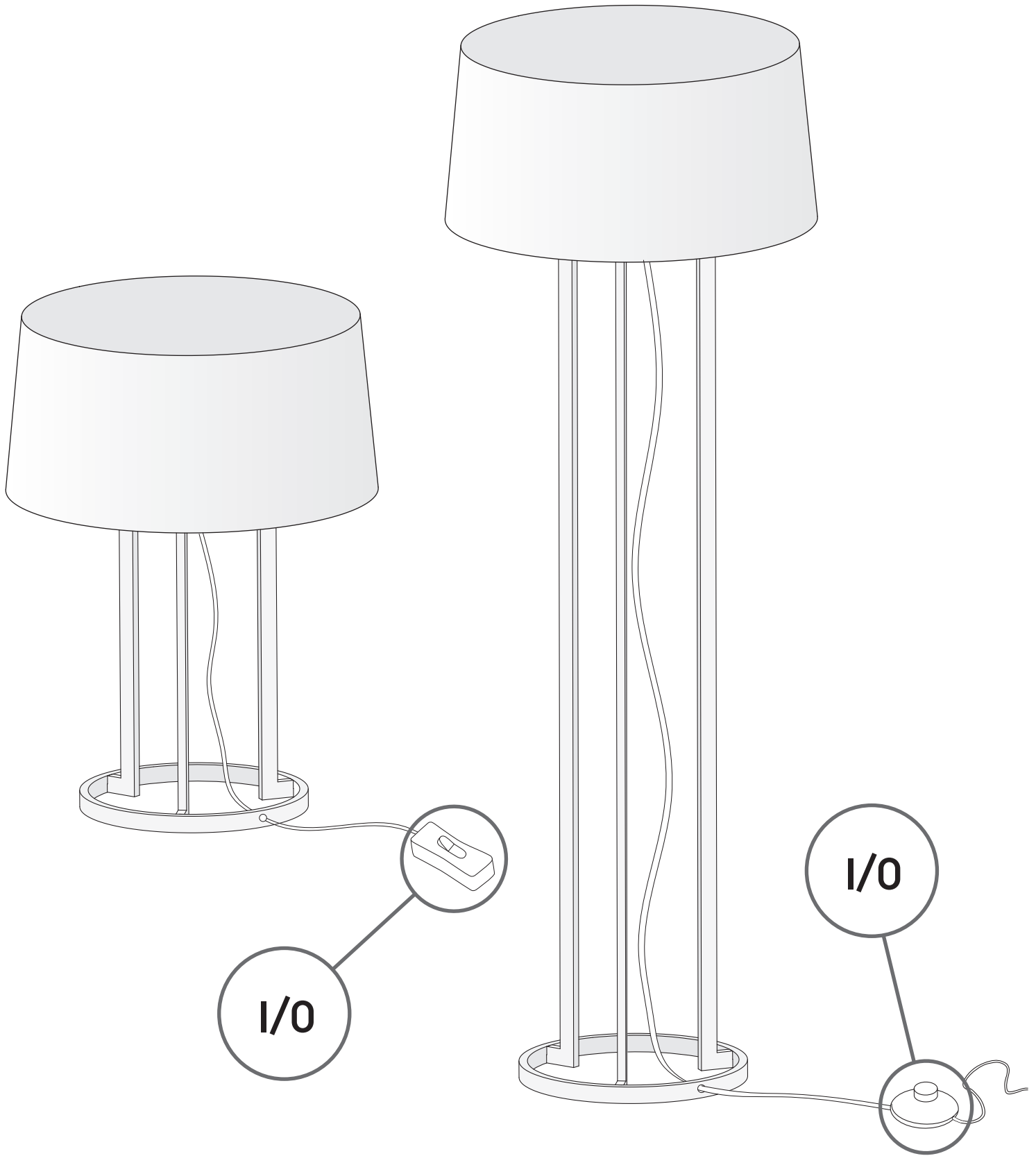
Premium
10-5076 | 25-5076

1





X3



(ES) Derechos de garantía

El fabricante **LEDS-C4, S.A.** garantiza al consumidor y usuario el correcto funcionamiento del producto y posibles reparaciones o suministro de recambios del modelo debidos a defectos de fabricación durante el periodo de **5 años*** desde la fecha de entrega, pero no puede responsabilizarse de daños y/o perjuicios causados por un mal empleo del mismo. Para cualquier reclamación, se deberá adjuntar a esta garantía el ticket de compra. La empresa se compromete a la reparación total gratuita de los vicios o defectos detectados en el producto. Asimismo, si la reparación no es satisfactoria y el objeto no alcanza las condiciones óptimas para cumplir el uso al que está destinado, el titular de la garantía tendrá derecho a la sustitución del objeto adquirido por otro de idénticas características, a la rebaja del precio o la resolución del contrato. ***Consultar condiciones de garantía en www.leds-c4.com.**

Composición: Acabados: baños y/o pinturas epoxi y compuestos de materiales nobles. Estructuras: latón, acero y materiales de fundición. Otros componentes: alabastro, cristal, pantallas de tela, madera y piel.

MANTENIMIENTO: Desconectar la tensión de la red de alimentación antes de llevar a cabo cualquier operación de mantenimiento. No utilizar bombillas de distinto tipo ni de potencia superior a la indicada en la etiqueta de la luminaria. Durante las operaciones de limpieza, y para asegurar una mejor conservación, utilizar un paño suave y seco. El uso de productos abrasivos o de disolventes puede deteriorar el acabado de la luminaria.

IMPORTANTE: 1- La conexión eléctrica debe realizarla un técnico electricista. La manipulación interna o externa de la luminaria puede comprometer su seguridad. LEDS-C4, S.A. no se hará responsable de ninguna manipulación hecha por el usuario. 2- Si el cable o cordón de esta luminaria está dañado, deberá sustituirse exclusivamente por el fabricante o su servicio técnico, o por una persona con calificación equivalente, con objeto de evitar cualquier posible riesgo. 3- No monte la luminaria sobre superficies húmedas, recién pintadas o que presenten conductividad eléctrica. 4- Todas las luminarias sin protección especial contra la penetración de polvo o de humedad (sin marca IP) son aptas para uso en interior, excepto en baños. 5- Utilice sistemas de sujeción acordes con el peso del aparato. 6- Aleje siempre las conexiones y los cables de los puntos de calor de la luminaria. 7- Asegúrese de que los conductores de la instalación no resulten deteriorados por los tornillos de sujeción. 8- Bajo ninguna circunstancia la luminaria debe ser cubierta. 9- Las lámparas se calientan mucho durante su funcionamiento. Tóquelas sólo cuando se hayan enfriado, pasados 15 minutos. 10- No colgar ni apoyar elementos sobre las luminarias.

SÍMBOLOS:



Luminaria no adecuada para cubrirse con material aislante térmico.



Luminaria superficial no adecuada para montaje en superficies normalmente inflamables.



Luminaria empotrada no adecuada para montaje en superficies normalmente inflamables.



Todas las luminarias marcadas con este símbolo son de Clase I. El conductor de toma de tierra debe conectarse al borne marcado con el símbolo de toma de tierra.



Todas las luminarias marcadas con este símbolo son de Clase II. Ninguna parte metálica de las luminarias de Clase II se conectará al conductor de toma de tierra de la instalación de la vivienda.



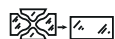
Todas las luminarias marcadas con este símbolo son de Clase III, lo cual significa que funcionan a muy baja tensión. Ninguna parte metálica de las luminarias de Clase III se conectará al conductor de toma de tierra de la instalación de la vivienda.



Este símbolo indica la distancia mínima entre el foco de la luminaria y el objeto iluminado.



Todas las luminarias marcadas con este símbolo están diseñadas para usar únicamente lámparas halógenas de wolframio o lámparas de halógenos metálicos con pantalla de protección propia.



Todas las luminarias marcadas con este símbolo deben equiparse con la pantalla de protección suministrada con la luminaria. Sustituir cualquier protector roto o defectuoso.



Precaución, riesgo de choque eléctrico.



No mirar fijamente a la fuente de luz en funcionamiento.



El símbolo de la papelera tachada en el aparato o en el embalaje, indica que el producto al final de su vida deberá eliminarse por separado de los demás desechos.

(EN) Warranty rights

LEDS-C4, S.A. guarantees to the consumer and the user of this product its correct operation and covers any possible repairs or the supply of parts for this product due to manufacturing defects for **5 years*** from the date of delivery. LEDS-C4, S.A. does not accept liability for any damages arising from incorrect use of this product. Please note that, in order to make a claim, you will be required to present this guarantee certificate together with proof of purchase. LEDS-C4, S.A. will completely repair the defects in the product free of charge. Also, if the product was not repaired to a satisfactory standard or if it was not fit for purpose, the holder of the guarantee will be entitled to the replacement of the purchased product for another one of the same features, to a price reduction or to the termination of the contract. ***Check warranty conditions at www.leds-c4.com.**

Composition: Finishes: plating and/or Epoxy paints and compounds of noble materials. Structure: brass, steel and cast iron. Other components: alabaster, crystal, fabric shades, wood and leather.

MAINTENANCE: Disconnect the mains voltage before starting any maintenance work. Do not use bulbs with a higher wattage than stated on the label of the luminaire. When cleaning, use a dry soft cloth to avoid damage. The use of abrasive products or solvents may harm the finish of the luminaire.

IMPORTANT: 1- The electrical connection of the luminaire should be performed by a qualified electrician. The internal or external manipulation of the luminaire may reduce its safety. LEDS-C4, S.A. cannot be held liable for any manipulation carried out by the user. 2- Should the luminaire cable or lead be damaged, it should be replaced only by the manufacturer or their technical service department, or someone equally qualified, in order to avoid any risk. 3- Do not install the luminaire on surfaces that are moist, freshly painted or electrically conductive. 4- All luminaires without special protection against dust or moisture (no IP rating) may be used indoors, except in bathrooms. 5- Use fastening systems appropriate to the weight of the appliance. 6- Make sure the connections and cables do not come into contact with the hot parts of the luminaire. 7- Make sure the installation conductors are not damaged by the fastening screws. 8- Under no circumstances should the luminaire be covered. 9- The lamps become very hot during operation. Let them cool down for 15 minutes after switch-off before handling them. 10- Do not lean or hang any objects from the luminaire.

SYMBOLS:



Luminaires not suitable for covering with thermally insulating material.



Surface luminaire not suitable for direct mounting on normally flammable surfaces.



Recessed luminaire not suitable for direct mounting on normally flammable surfaces.



All the luminaires bearing this symbol belong to Class I. The earth wire must be connected to the terminal marked with the Earth symbol.



All luminaires bearing this symbol are Class II. No metal part of Class II luminaires shall be connected to the earth connection of the home installation.



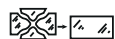
All luminaires bearing this symbol are Class III, which means that they operate at very low voltage. No metal part of Class III luminaires shall be connected to the earth connection of the home installation.



This symbol indicates the minimum distance to be left between the lamp of the luminaire and the object illuminated.



All luminaires bearing this symbol should be installed only with halogen wolfram lamps or metal halide lamps with their own enclosure.



All luminaires bearing this symbol should be installed with their protective enclosure. Replace any enclosure that is broken or faulty.



Caution, risk of electric shock.



Do not stare at the light source when in operation.



The crossed bin symbol on the device or on the packaging means that, at the end of its life, the product will need to be disposed of separately from the rest of residues.

(FR) Drots de garantie

Le fabricant **LEDS-C4, S.A.** garantit au consommateur et à l'utilisateur le fonctionnement correct du produit, ainsi que d'éventuelles réparations ou livraisons de pièces de rechange du modèle en cas de défauts de fabrication, pendant la période de **5 ans*** à compter de la date de livraison. Il ne peut toutefois être tenu responsable des dommages et/ou préjudices occasionnés par une mauvaise utilisation du produit. Pour toute réclamation, il convient de joindre le ticket d'achat à la présente garantie. L'entreprise s'engage à réparer totalement et gratuitement les vices ou défauts détectés sur le produit. De même, si la réparation ne s'avère pas satisfaisante ou que l'objet ne remplit pas les conditions optimales nécessaires pour assurer l'utilisation à laquelle il est destiné, le titulaire de la garantie a droit au remplacement de l'objet acquis par un autre aux caractéristiques identiques, à une réduction de prix ou à la résolution du contrat. ***Consultez les conditions la garantie sur www.leds-c4.com.**

Composition: Finitions: par trempage et/ou peintures époxy et matériaux nobles. Structures : laiton, acier et matériaux de fonte. Autres composants : albâtre, verre, abat-jour en tissu, bois et cuir.

ENTRETIEN: Déconnecter le luminaire du réseau d'alimentation avant de réaliser toute opération d'entretien. Ne pas utiliser d'ampoules d'un autre type ou d'une puissance supérieure à celle indiquée sur l'étiquette du luminaire. Au cours des opérations de nettoyage, pour garantir une meilleure conservation, utiliser un chiffon doux et sec. L'utilisation de produits abrasifs ou de solvants peut détériorer la finition du luminaire.

IMPORTANT: 1- Le raccordement électrique sera effectué par un technicien électricien. La manipulation interne ou externe du luminaire peut compromettre votre sécurité. LEDS-C4, S.A. n'est pas responsable des manipulations réalisées par l'utilisateur. 2- Si le câble ou le cordon du luminaire est endommagé, il devra être remplacé uniquement par le fabricant, le service technique ou quelqu'un de qualifié afin d'éviter tout risque éventuel. 3- Ne pas monter le luminaire sur une surface humide, récemment peinte ou présentant une forte conductivité électrique. 4- Tous les luminaires sans protection particulière contre la poussière ou l'humidité (sans marque IP) sont aptes à une utilisation en intérieur, à l'exception des salles de bains. 5- Utiliser des systèmes de fixation adaptés au poids de l'appareil. 6- Éloigner systématiquement les connexions et les câbles des points de chaleur du luminaire. 7- S'assurer que les conducteurs de l'installation ne sont pas endommagés par les vis de fixation. 8- Le luminaire ne doit en aucun cas être couvert. 9- Les lampes chauffent beaucoup en cours de fonctionnement. Ne les touchez qu'une fois refroidies, au bout de 15 minutes. 10- Ne pas accrocher ou appuyer d'éléments sur les luminaires.

SYMBOLES:



Ne pas recouvrir le luminaire avec du matériau isolant.



Luminaire superficiel non appropriée pour montage sur des surfaces normalement Inflammables.



Luminaire construite non appropriée pour montage sur des surfaces normalement Inflammables.



Tous les luminaires marqués de ce symbole sont de Classe I. Le conducteur de prise de terre est à relier à la borne marquée du symbole correspondant.



Tous les luminaires marqués de ce symbole appartiennent à la catégorie II. Aucune partie métallique d'un luminaire de catégorie II ne doit être raccordée à la terre de l'installation.



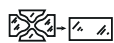
Tous les luminaires marqués de ce symbole appartiennent à la catégorie III, ce qui signifie qu'ils fonctionnent à très basse tension. Aucune partie métallique d'un luminaire de catégorie III ne doit être raccordée à la terre de l'installation.



Ce symbole désigne la distance minimale entre l'ampoule d'un luminaire et l'objet à éclairer.



Tous les luminaires marqués de ce symbole, sont uniquement prévus pour utiliser des lampes halogènes en wolfram ou lampes en halogénures métalliques avec écran de protection propre.



Tous les luminaires marqués de ce symbole doivent être équipés de l'écran de protection fourni avec l'appareil. Remplacer tout écran brisé ou défectueux.



Attention, risque de choc électrique.



Ne pas regarder directement la source de lumière en fonctionnement.



La présence, sur l'appareil ou l'emballage, du symbole de la corbeille à papier barrée d'un trait indique qu'en fin de vie le produit est à éliminer séparément des autres déchets.

(DEU) Garantieansprüche

Der Hersteller **LEDS-C4, S.A.** gewährleistet dem Endkunden (Verbraucher) für eine Garantielaufzeit von **5 Jahren*** ab Kaufdatum den einwandfreien Betrieb des Geräts sowie eventuell notwendige Reparaturen oder Ersatzteillieferungen für das Modell als Folge von Mängeln, die aus Herstellungsfehlern resultieren. Der Hersteller übernimmt jedoch keine Verantwortung für Schäden, die auf unsachgemäße Handhabung des Gerätes zurückzuführen sind. Bei einer Reklamation müssen die Garantiekarte und der Kaufbeleg mit eingeschickt werden. Unsere Firma verpflichtet sich zur vollständigen und kostenlosen Reparatur der am Produkt festgestellten Mängeln oder Störungen. Sollte die Reparatur nicht zufriedenstellend ausfallen und das instandgesetzte Modell nicht voll funktionstüchtig sein, hat der Garantieinhaber Anspruch auf Lieferung eines gleichwertigen Ersatzartikels, einen Preisnachlass oder die Vertragsauflösung mit Erstattung des Kaufpreises. ***Konsultieren Sie die Bedingungen der Garantie** auf www.leds-c4.com.

Bestandteile: Oberflächen: Epoxi Galvanisierung und/oder Farben und Edelmetalle. Lampenkörper: Messing, Stahl und Gussmetalle. Andere Bestandteile: Alabaster, Glas, Lampenschirme aus Stoff, Holz und Leder.

WARTUNG: Nehmen Sie vor allen Wartungsarbeiten die Netzsicherung heraus. Verwenden Sie nur Glühbirnen gleichen Typs und beachten Sie die auf dem Typenschild angegebene maximale Lampenleistung. Verwenden Sie bei Reinigungsarbeiten zur größtmöglichen Schonung der Lampe ein weiches, trockenes Tuch. Scheuer- und Lösungsmittel können die Oberfläche der Lampe angreifen.

WICHTIGE HINWEISE: 1- Der elektrische Anschluss sollte von einem Fachmann vorgenommen werden. Eigenmächtige Arbeiten im oder am Lampengehäuse können ein Sicherheitsrisiko darstellen. LEDS-C4, S.A. übernimmt keinerlei Haftung bei unsachgemäßen Eingriffen durch den Benutzer. 2- Falls das Stromzufuhrkabel oder die Stromzufuhrschnur dieser Leuchte beschädigt ist, darf diese aus Sicherheitsgründen nur durch den Hersteller selbst, seinen technischen Reparaturdienst oder einen entsprechend qualifizierten Fachmann ersetzt werden. 3- Die Leuchte darf nicht auf feuchten, kurz zuvor angestrichenen oder elektrisch leitenden Flächen installiert werden. 4- Die Leuchten ohne besonderen Schutz gegen das Eindringen von Staub und Feuchtigkeit (ohne IP Markierung) sind geeignet für den Gebrauch in Innenräumen, ausgenommen dem Badezimmer. 5- Benutzen Sie Befestigungsvorrichtungen, die dem Gewicht des Gerätes entsprechen. 6- Achten Sie darauf, dass die Stromanschlüsse und Leitungen möglichst weit von den Wärme abstrahlenden Stellen der Leuchte entfernt sind. 7- Versichern Sie sich, dass die Stromzufuhrkabel der Anlage nicht von den Befestigungsschrauben beschädigt werden. 8- Die Leuchte darf unter keinen Umständen abgedeckt werden. 9- Die Lampen werden während des Betriebs sehr heiß. Vor dem Anfassen mindestens 15 Minuten warten, bis sie etwas abgekühlt sind. 10- Keine Gegenstände an die Leuchten hängen oder an ihnen abstützen.

SYMBOLER:



Leuchten nicht mit Dämm-Material abdecken.



Oberflächliche Leuchten dürfen nicht auf unter normalen Bedingungen leicht entzündbaren Oberflächen angebracht werden.



Einbauleuchte dürfen nicht auf unter normalen Bedingungen leicht entzündbaren Oberflächen angebracht werden.



Alle mit diesem Symbol gekennzeichneten Leuchten sind der Klasse I. Der Erdungsanschluss muss an die mit dem Erdungssymbol gekennzeichneten Klemme angeschlossen werden.



Alle mit diesem Symbol gekennzeichneten Leuchten gehören der Klasse II an. Metallteile von Leuchten der Klasse II dürfen nicht mit der Erdung der elektrischen Installation in der Wohnung in Berührung kommen.



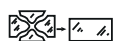
Alle mit diesem Symbol gekennzeichneten Leuchten sind Niederspannungsleuchten der Klasse III. Metallteile von Leuchten der Klasse III dürfen nicht mit der Erdung der elektrischen Installation in der Wohnung in Berührung kommen.



Dieses Symbol gibt den Mindestabstand zwischen der Lichtquelle und dem zu beleuchtenden Objekt an.



Sämtliche mit diesen Zeichen ausgestatteten Leuchten sind dazu entworfen worden, ausschließlich mit Wolfram-Halogenleuchten oder mit Metaldampf Leuchten mit eigenem Schutzschild bestückt zu werden.



Alle mit diesem Symbol gekennzeichneten Leuchten müssen mit dem beiliegenden Schutzschirm versehen werden. Tauschen Sie in jedem Fall den zerbrochenen oder fehlerhaften Schutz aus.



Vorsicht, Stromschlaggefahr.



Nicht direkt in die Lichtquelle blicken.



Das Symbol des durchgestrichenen Papierkorbs auf dem Gerät oder der Verpackung bedeutet, dass das Produkt am Ende seiner Nutzungsdauer als Sondermüll entsorgt werden muss.

LEDS-C4, S.A.
Spain
groklighting.com