

10-4369-Z6-82

V0

SPICA Table lamp

Designer: Gemma Bernal



Description

Light from a collection for indoor use.

For general lighting. Structure material: Steel. Structure finish: Brown. Warranty: 2 Years.

Finish
Brown

Material
Steel

 IP20   12

TECHNICAL CHARACTERISTICS

Light source

Lampholder: 1 x E27
Output (W): MAX 100W
Total power consumption (W): 100
Quantity: 1

Luminaire

Warranty: 2 Years

Logistics

Energy Efficiency: NO BULB
EAN Code: 8435381408558
Net Weight (Kg): 0.390
Weight in Kg (packaged): 0.730
Masterbox: 12

The photograph may not match the reference exactly. Please read the product description to identify the finish.

OPTIONAL ACCESSORIES



PAN-220-V7

Shade, old copper, Ø305mm

Structure material: Steel
Dimensions: 305 x x 160
Net Weight (Kg): 0.380



PAN-169-14

Shade, white, pleated, Ø230mm

Structure material: Steel
Net Weight (Kg): 0.230



PAN-161-14

Structure material: Steel
Dimensions: 260 x NA x 200
Net Weight (Kg): 0.240



PAN-161-BY

Structure material: Steel
Dimensions: 260 x NA x 200
Net Weight (Kg): 0.240



PAN-184-14

Shade, white, Ø320mm

Structure material: Steel
Dimensions: 320 x 270 x 200
Net Weight (Kg): 0.250



PAN-184-BY

Shade, beige fabric, Ø320mm

Structure material: Steel
Dimensions: 320 x 270 x 200
Net Weight (Kg): 0.250



PAN-180-14

Shade, white, 210x215x180mm

Structure material: Steel
Dimensions: 210 x NA x 214
Net Weight (Kg): 0.240



PAN-180-BY

Shade, beige fabric, 210x215x180mm

Structure material: Steel
Dimensions: 210 x NA x 214
Net Weight (Kg): 0.240



PAN-188-20

Shade, beige, pleated, 210x215x180mm

Structure material: Steel
Net Weight (Kg): 0.390

PAN-176-14



Shade, white, 182x170x150mm

Structure material: Steel
Dimensions: 150 x 285 x 170
Net Weight (Kg): 0.220

PAN-176-BY



Shade, beige fabric, 182x170x150mm

Structure material: Steel
Dimensions: 150 x 285 x 170
Net Weight (Kg): 0.220

PAN-177-14



Shade, oval shape, white, 285x150x150mm

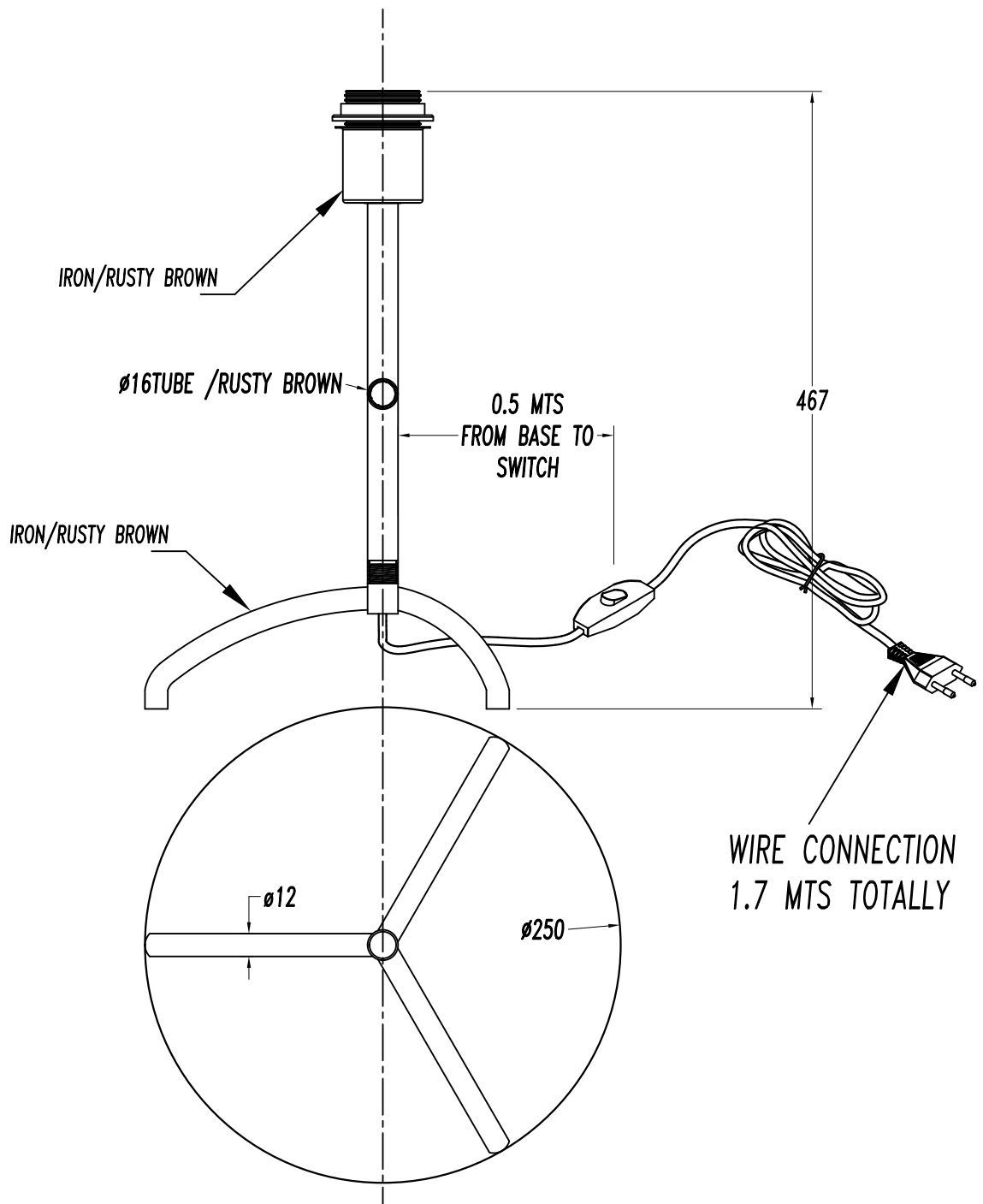
Structure material: Steel
Dimensions: 150 x 285 x 150
Net Weight (Kg): 0.180

PAN-177-BY

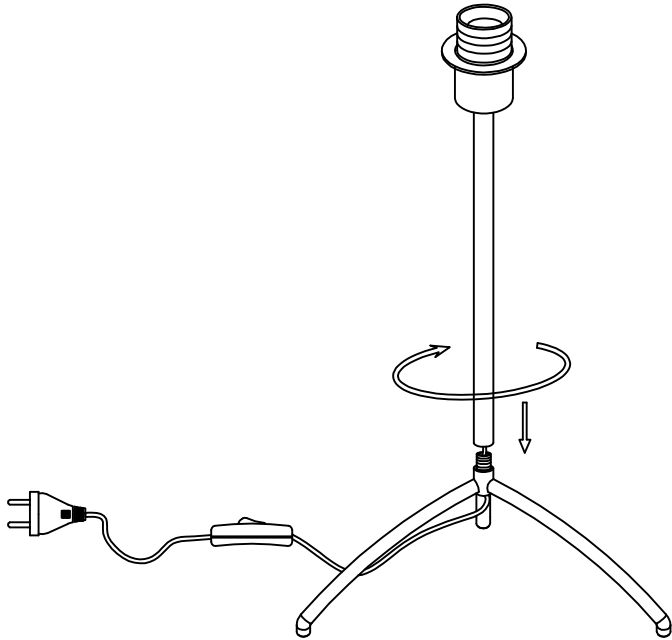


Shade, oval shape, beige fabric, 285x150x150mm

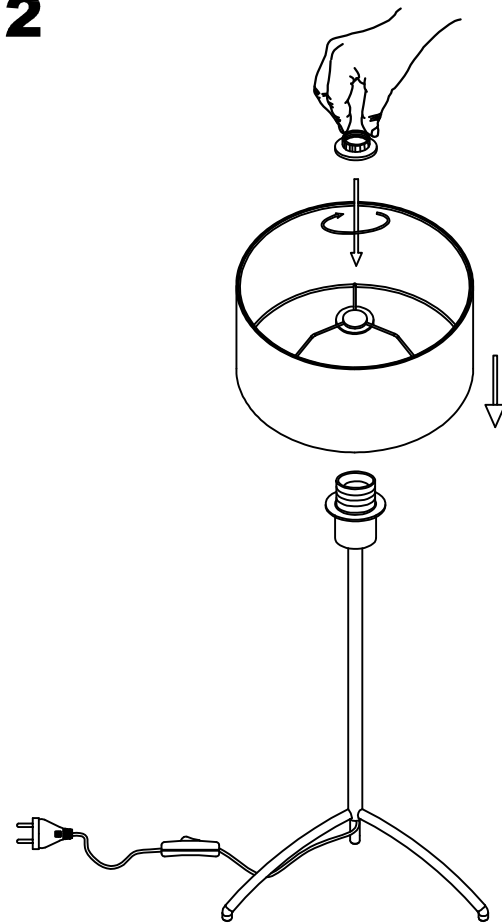
Structure material: Steel
Dimensions: 150 x 285 x 150
Net Weight (Kg): 0.180



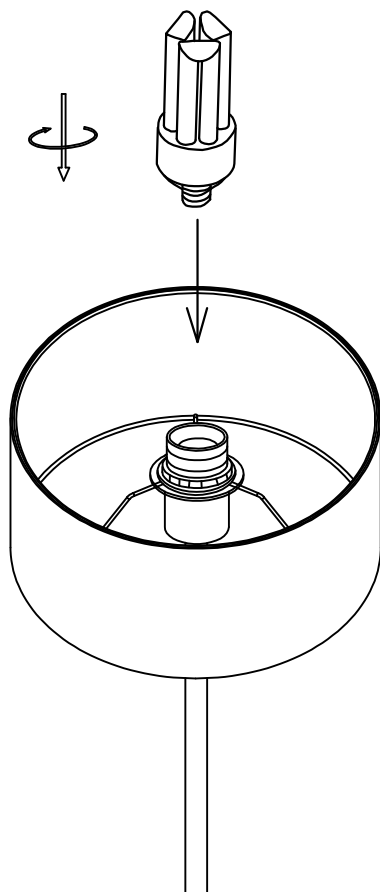
1



2



3



4

