

## Nemesis AISI 316

Leds C4 Team

## 05-9905-CA-CL

Wall fixture IP44 Nemesis AISI 316 LED 5.3W 3000K AISI 316 stainless steel 439lm



### TECHNICAL FEATURES

IP44 IK06



Power (W) : 5.3W

Total power consumption of light (W) : 7.3W

Raw lumens : 439

Raw lm/W : 60

Colour temperature : LED warm-white 3000K

Lens / reflector angle : FLOOD 95°

Structure material : Stainless steel AISI316

Structure finish : AISI 316 stainless steel

Diffuser material : Glass

Diffuser finish : Matt

Useful life : 50.000h L80B20

Equipment included : Yes, electronic

Voltage / frequency : 100-240V/50-60Hz

Warranty : 2 Years

Max. temperature : 25°C

Seaside : Yes

Energy efficiency : LED A++

### LUMINOTECHNIC FEATURES

Light source: LED

CRI: 80

MacAdam steps: 3

Photobiological risk: RG0

### LOGISTICS

Net weight (kg): 0.79

Packaged weight (kg): 0.9

Packaging: 180mm x 75mm x 130mm



# LEDS C4<sup>®</sup>

## Luminaria

Código 05-9905-CA-CL  
Nombre NEMESIS

## Ensayo

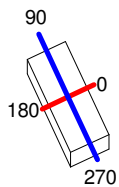
Código 05-9905-CA-CL  
Nombre NEMESIS

Flujo Luminaria	438.70 lm	Potencia luminaria	6.40 W	Eficacia	68.55 lm/W	Eficiencia	100.00%
Flujo de Lámpara	438.70 lm	Valor Máximo	216.75 cd/klm	Posición	C=155.00 G=2.00	CG	Asimétrico
Luminaria Rectangular		Longit.	170 mm	Anchura	70 mm	Altura	110 mm
Área Luminosa Rectangular		Longit.	154 mm	Anchura	68 mm	Altura	0 mm
Área Luminosa Horizontal		0.010472 m2		Área Emisión sobre Pl. 180°		0.000000 m2	
Área Emisión sobre Pl. 0°		0.000000 m2		Área Emisión sobre Pl. 270°		0.000000 m2	
Área Emisión sobre Pl. 90°		0.000000 m2		Área de deslumbramiento a 76°		0.002533 m2	
Sist. de Coorden.		CG		Tipo de Simetría		Asimétrico	
Fecha		01-02-2018		Máximo Ángulo Gamma		180	
Distancia de Ensayo		0.00		Flujo de Ensayo		219.35 lm	
Operador		qualitat		Tensión de alimentación [V]			
Temperatura		25.00 °C		Corriente de alimentación [A]			
Humedad		60.00 %		Fotocélula			
Notas							

## Lámparas de la Luminaria

Familia	Código	Nombre	Flujo [lm]	Pot. [W]	Cant.
	HANGKE 2835	05-9905-CA-CL	438.70	6.40	1
C.I.E.	54 84 97 50 100	D DIN 5040	C41		
F UTE	0.50 D + 0.50 T	B NBN	BZ 4		

170mm x 70mm



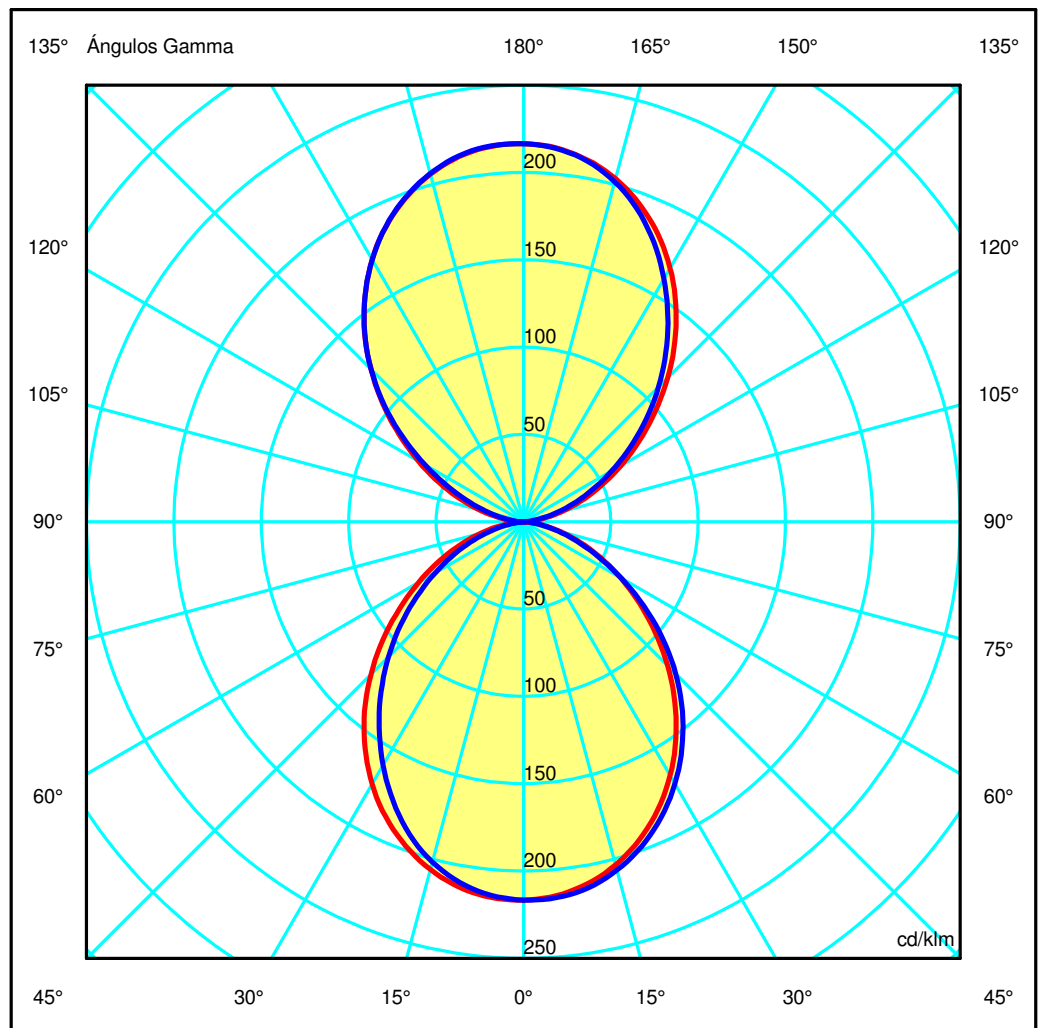
Semiplanos C

180.0 — 0.0  
270.0 — 90.0

ULOR 50.00 %

DLOR 50.00 %

RN 50.00 %













**Luminaria**

Código 05-9905-CA-CL

Nombre NEMESIS

**Ensayo**

Código 05-9905-CA-CL

Nombre NEMESIS

Flujo Luminaria	438.70 lm	Potencia luminaria	6.40 W	Eficacia	68.55 lm/W	Eficiencia	100.00%
Flujo de Lámpara	438.70 lm	Valor Máximo	216.75 cd/klm	Posición	C=155.00 G=2.00	CG	Asimétrico

**Tabla de Intensidad Luminosa cd/klm Tabla 6/18**

	C 325.00	C 330.00	C 335.00	C 340.00	C 345.00	C 350.00	C 355.00
G 0.0	216.56	216.56	216.56	216.56	216.56	216.56	216.56
G 1.0	216.33	216.31	216.31	216.32	216.34	216.37	216.39
G 2.0	215.99	216.00	216.02	216.04	216.08	216.11	216.15
G 3.0	215.55	215.54	215.56	215.59	215.65	215.72	215.81
G 4.0	215.01	215.01	215.04	215.12	215.21	215.32	215.43
G 5.0	214.33	214.31	214.34	214.41	214.52	214.64	214.79
G 6.0	213.54	213.48	213.52	213.64	213.80	213.96	214.14
G 7.0	212.59	212.54	212.58	212.69	212.85	213.03	213.22
G 8.0	211.61	211.56	211.61	211.74	211.92	212.11	212.31
G 9.0	210.53	210.49	210.55	210.68	210.86	211.07	211.30
G 10.0	209.29	209.25	209.31	209.46	209.67	209.92	210.19
G 11.0	208.05	208.01	208.06	208.21	208.43	208.70	209.01
G 12.0	206.64	206.59	206.65	206.80	207.03	207.32	207.64
G 13.0	205.21	205.18	205.27	205.46	205.71	206.00	206.30
G 14.0	203.50	203.47	203.57	203.78	204.05	204.35	204.67
G 15.0	201.82	201.80	201.95	202.22	202.54	202.85	203.15
G 16.0	199.91	199.91	200.04	200.28	200.58	200.92	201.28
G 17.0	198.04	198.03	198.15	198.39	198.71	199.09	199.50
G 18.0	195.97	196.00	196.10	196.32	196.64	197.03	197.48
G 19.0	193.73	193.76	193.90	194.17	194.53	194.96	195.43
G 20.0	191.54	191.59	191.74	192.00	192.37	192.80	193.29
G 21.0	189.03	189.07	189.24	189.54	189.95	190.43	190.97
G 22.0	186.67	186.73	186.94	187.27	187.71	188.21	188.75
G 23.0	184.04	184.10	184.29	184.61	185.05	185.59	186.21
G 24.0	181.47	181.53	181.76	182.16	182.67	183.25	183.87
G 25.0	178.69	178.77	178.99	179.37	179.88	180.49	181.16
G 26.0	175.93	176.02	176.29	176.72	177.27	177.91	178.60
G 27.0	173.07	173.22	173.49	173.90	174.43	175.06	175.76
G 28.0	170.04	170.21	170.52	170.96	171.53	172.20	172.94
G 29.0	167.07	167.30	167.62	168.07	168.63	169.29	170.03
G 30.0	163.81	164.06	164.42	164.90	165.51	166.22	167.01
G 31.0	160.66	160.95	161.36	161.91	162.56	163.30	164.08
G 32.0	157.21	157.50	157.94	158.54	159.24	160.00	160.80
G 33.0	153.95	154.26	154.76	155.41	156.16	156.94	157.74
G 34.0	150.49	150.84	151.34	151.98	152.72	153.51	154.35
G 35.0	147.06	147.42	147.95	148.65	149.45	150.29	151.15
G 36.0	143.60	144.01	144.53	145.17	145.92	146.76	147.64
G 37.0	140.01	140.41	140.99	141.73	142.55	143.41	144.29
G 38.0	136.54	136.99	137.58	138.29	139.09	139.94	140.81
G 39.0	132.86	133.30	133.89	134.63	135.46	136.35	137.27
G 40.0	129.39	129.82	130.42	131.18	132.03	132.93	133.86
G 41.0	125.70	126.11	126.68	127.40	128.24	129.17	130.14
G 42.0	122.19	122.59	123.16	123.90	124.76	125.69	126.66
G 43.0	118.50	118.88	119.43	120.14	120.98	121.91	122.91
G 44.0	114.89	115.24	115.81	116.58	117.47	118.42	119.40
G 45.0	111.29	111.64	112.16	112.86	113.70	114.64	115.65
G 46.0	107.58	107.89	108.46	109.24	110.16	111.12	112.10
G 47.0	104.03	104.34	104.88	105.62	106.49	107.43	108.41
G 48.0	100.32	100.60	101.13	101.89	102.79	103.75	104.74
G 49.0	96.81	97.09	97.64	98.41	99.31	100.25	101.20
G 50.0	93.17	93.42	93.92	94.66	95.53	96.47	97.46
G 51.0	89.71	89.95	90.49	91.26	92.15	93.08	94.03
G 52.0	86.07	86.29	86.79	87.52	88.40	89.35	90.34
G 53.0	82.68	82.87	83.36	84.11	84.99	85.93	86.89
G 54.0	79.30	79.49	79.93	80.61	81.44	82.35	83.31
G 55.0	75.90	76.05	76.51	77.22	78.08	78.99	79.93
G 56.0	72.62	72.77	73.20	73.87	74.68	75.57	76.50
G 57.0	69.30	69.43	69.84	70.50	71.31	72.21	73.14
G 58.0	66.16	66.28	66.69	67.33	68.13	69.00	69.90
G 59.0	62.92	63.02	63.39	64.01	64.78	65.65	66.56
G 60.0	59.89	59.99	60.37	60.98	61.74	62.58	63.46
G 61.0	56.75	56.84	57.19	57.77	58.50	59.33	60.20
G 62.0	53.80	53.89	54.24	54.82	55.55	56.35	57.20
G 63.0	50.87	50.94	51.25	51.77	52.45	53.23	54.06
G 64.0	47.98	48.00	48.31	48.86	49.55	50.32	51.13
G 65.0	45.16	45.22	45.50	46.00	46.64	47.38	48.19
G 66.0	42.36	42.38	42.67	43.20	43.86	44.58	45.34
G 67.0	39.66	39.71	39.98	40.45	41.07	41.77	42.52
G 68.0	36.94	36.96	37.20	37.65	38.24	38.93	39.69
G 69.0	34.37	34.39	34.63	35.08	35.66	36.31	37.02
G 70.0	31.73	31.75	31.96	32.36	32.91	33.55	34.26
G 71.0	29.26	29.27	29.48	29.88	30.42	31.04	31.72
G 72.0	26.79	26.79	26.98	27.34	27.84	28.44	29.10













**Luminaria**

Código 05-9905-CA-CL

Nombre NEMESIS

**Ensayo**

Código 05-9905-CA-CL

Nombre NEMESIS

Flujo Luminaria	438.70 lm	Potencia luminaria	6.40 W	Eficacia	68.55 lm/W	Eficiencia	100.00%
Flujo de Lámpara	438.70 lm	Valor Máximo	216.75 cd/klm	Posición	C=155.00 G=2.00	CG	Asimétrico

**Tabla de Intensidad Luminosa cd/klm Tabla 12/18**

	C 325.00	C 330.00	C 335.00	C 340.00	C 345.00	C 350.00	C 355.00
G 73.0	24.39	24.37	24.56	24.93	25.43	26.01	26.63
G 74.0	22.09	22.08	22.24	22.57	23.03	23.57	24.18
G 75.0	19.77	19.75	19.91	20.23	20.69	21.22	21.80
G 76.0	17.60	17.58	17.73	18.02	18.44	18.94	19.49
G 77.0	15.42	15.39	15.52	15.79	16.18	16.66	17.19
G 78.0	13.41	13.38	13.50	13.77	14.14	14.58	15.08
G 79.0	11.43	11.39	11.49	11.71	12.04	12.46	12.94
G 80.0	9.58	9.54	9.63	9.84	10.16	10.55	10.99
G 81.0	7.82	7.79	7.86	8.03	8.31	8.66	9.06
G 82.0	6.21	6.16	6.22	6.39	6.64	6.96	7.32
G 83.0	4.75	4.69	4.76	4.93	5.17	5.44	5.73
G 84.0	3.40	3.36	3.39	3.50	3.69	3.96	4.27
G 85.0	2.25	2.25	2.28	2.37	2.51	2.71	2.94
G 86.0	1.39	1.44	1.46	1.47	1.53	1.66	1.84
G 87.0	0.65	0.63	0.66	0.74	0.83	0.94	1.05
G 88.0	0.29	0.23	0.26	0.36	0.47	0.56	0.62
G 89.0	0.14	0.13	0.12	0.11	0.11	0.13	0.15
G 90.0	0.56	0.51	0.46	0.35	0.25	0.22	0.18
G 91.0	0.71	0.65	0.52	0.35	0.21	0.20	0.19
G 92.0	1.04	0.93	0.81	0.70	0.63	0.61	0.63
G 93.0	1.70	1.69	1.63	1.54	1.44	1.34	1.25
G 94.0	2.73	2.77	2.65	2.45	2.24	2.12	2.06
G 95.0	3.95	4.02	3.89	3.65	3.41	3.27	3.21
G 96.0	5.32	5.40	5.26	5.00	4.75	4.70	4.65
G 97.0	6.92	6.96	6.80	6.53	6.27	6.11	6.05
G 98.0	8.60	8.67	8.52	8.24	7.96	7.79	7.72
G 99.0	10.41	10.51	10.34	10.02	9.71	9.64	9.57
G100.0	12.40	12.50	12.33	12.02	11.71	11.53	11.46
G101.0	14.42	14.53	14.36	14.02	13.69	13.61	13.53
G102.0	16.61	16.72	16.54	16.19	15.85	15.76	15.68
G103.0	18.81	18.93	18.75	18.40	18.05	17.85	17.77
G104.0	21.19	21.31	21.11	20.73	20.36	20.26	20.17
G105.0	23.57	23.69	23.50	23.12	22.74	22.52	22.43
G106.0	26.04	26.16	25.94	25.54	25.14	24.91	24.82
G107.0	28.59	28.70	28.48	28.07	27.67	27.43	27.32
G108.0	31.16	31.26	31.02	30.58	30.16	29.91	29.81
G109.0	33.87	33.97	33.72	33.27	32.83	32.57	32.46
G110.0	36.53	36.62	36.35	35.89	35.44	35.17	35.05
G111.0	39.41	39.47	39.18	38.69	38.22	37.93	37.80
G112.0	42.20	42.26	41.96	41.46	40.98	40.68	40.54
G113.0	45.12	45.15	44.83	44.30	43.80	43.49	43.35
G114.0	48.05	48.05	47.71	47.19	46.70	46.38	46.21
G115.0	51.05	51.02	50.67	50.12	49.61	49.28	49.11
G116.0	54.12	54.06	53.68	53.11	52.58	52.24	52.06
G117.0	57.19	57.11	56.70	56.10	55.55	55.20	55.02
G118.0	60.43	60.34	59.90	59.27	58.69	58.33	58.16
G119.0	63.56	63.44	62.99	62.36	61.77	61.40	61.21
G120.0	66.90	66.75	66.28	65.63	65.04	64.66	64.46
G121.0	70.01	69.96	69.47	68.82	68.22	67.83	67.62
G122.0	73.54	73.35	72.84	72.17	71.55	71.16	70.94
G123.0	76.90	76.68	76.15	75.48	74.86	74.46	74.23
G124.0	80.33	80.10	79.55	78.84	78.19	77.78	77.57
G125.0	83.86	83.61	83.05	82.33	81.67	81.25	81.02
G126.0	87.32	87.07	86.48	85.73	85.05	84.63	84.40
G127.0	91.04	90.78	90.17	89.39	88.68	88.23	88.00
G128.0	94.50	94.23	93.63	92.85	92.14	91.70	91.47
G129.0	98.21	97.94	97.31	96.51	95.79	95.33	95.10
G130.0	101.75	101.46	100.83	100.01	99.28	98.82	98.58
G131.0	105.42	105.14	104.51	103.70	102.96	102.50	102.28
G132.0	109.04	108.75	108.12	107.31	106.58	106.12	105.87
G133.0	112.68	112.41	111.76	110.92	110.17	109.71	109.50
G134.0	116.33	116.06	115.43	114.62	113.89	113.43	113.21
G135.0	119.90	119.65	119.00	118.15	117.39	116.95	116.75
G136.0	123.60	123.36	122.74	121.93	121.18	120.73	120.50
G137.0	127.06	126.82	126.21	125.40	124.67	124.23	124.03
G138.0	130.74	130.51	129.91	129.11	128.39	127.95	127.74
G139.0	134.20	133.98	133.39	132.60	131.88	131.45	131.24
G140.0	137.81	137.60	136.99	136.19	135.47	135.04	134.86
G141.0	141.22	141.00	140.44	139.69	139.00	138.56	138.33
G142.0	144.63	144.44	143.89	143.14	142.45	142.02	141.81
G143.0	148.00	147.80	147.29	146.61	145.98	145.57	145.33
G144.0	151.23	151.03	150.54	149.90	149.30	148.91	148.69
G145.0	154.56	154.37	153.90	153.29	152.73	152.36	152.16

**Luminaria**

Código 05-9905-CA-CL

Nombre NEMESIS

**Ensayo**

Código 05-9905-CA-CL

Nombre NEMESIS

Flujo Luminaria	438.70 lm	Potencia luminaria	6.40 W	Eficacia	68.55 lm/W	Eficiencia	100.00%
Flujo de Lámpara	438.70 lm	Valor Máximo	216.75 cd/klm	Posición	C=155.00 G=2.00	CG	Asimétrico

**Tabla de Intensidad Luminosa cd/klm Tabla 13/18**

	C 0.00	C 5.00	C 10.00	C 15.00	C 20.00	C 25.00	C 30.00	C 35.00	C 40.00	C 45.00	C 50.00	C 55.00	C 60.00
G146.0	155.20	154.35	153.51	152.72	151.98	151.34	150.84	150.49	150.16	149.69	148.96	148.18	147.61
G147.0	158.53	157.74	156.94	156.16	155.41	154.76	154.26	153.95	153.68	153.24	152.50	151.69	151.07
G148.0	161.62	160.80	160.00	159.24	158.54	157.94	157.50	157.21	156.93	156.49	155.78	155.00	154.40
G149.0	164.90	164.08	163.30	162.56	161.91	161.36	160.95	160.66	160.38	159.92	159.21	158.43	157.84
G150.0	167.82	167.01	166.22	165.51	164.90	164.42	164.06	163.81	163.54	163.11	162.42	161.66	161.09
G151.0	170.80	170.03	169.29	168.63	168.07	167.62	167.30	167.07	166.80	166.36	165.65	164.88	164.33
G152.0	173.71	172.94	172.20	171.53	170.96	170.52	170.21	170.04	169.85	169.46	168.77	168.00	167.46
G153.0	176.49	175.76	175.06	174.43	173.90	173.49	173.22	173.07	172.91	172.54	171.86	171.11	170.58
G154.0	179.32	178.60	177.91	177.27	176.72	176.29	176.02	175.93	175.84	175.54	174.89	174.14	173.61
G155.0	181.86	181.16	180.49	179.88	179.37	178.99	178.77	178.69	178.60	178.32	177.73	177.05	176.58
G156.0	184.52	183.87	183.25	182.67	182.16	181.76	181.53	181.47	181.42	181.18	180.62	179.96	179.52
G157.0	186.86	186.21	185.59	185.05	184.61	184.29	184.10	184.04	183.98	183.75	183.28	182.74	182.39
G158.0	189.31	188.75	188.21	187.71	187.27	186.94	186.73	186.67	186.61	186.42	186.00	185.52	185.22
G159.0	191.53	190.97	190.43	189.95	189.54	189.24	189.07	189.03	189.00	188.85	188.49	188.07	187.83
G160.0	193.81	193.29	192.80	192.37	192.00	191.74	191.59	191.54	191.51	191.36	191.03	190.66	190.45
G161.0	195.92	195.43	194.96	194.53	194.17	193.90	193.76	193.73	193.71	193.68	193.40	193.06	192.88
G162.0	197.96	197.48	197.03	196.64	196.32	196.10	196.00	195.97	195.95	195.92	195.68	195.41	195.26
G163.0	199.92	199.50	199.09	198.71	198.39	198.15	198.03	198.04	198.07	198.03	197.84	197.60	197.47
G164.0	201.65	201.28	200.92	200.58	200.28	200.04	199.91	199.91	199.95	199.94	199.81	199.65	199.58
G165.0	203.44	203.15	202.85	202.54	202.22	201.95	201.80	201.82	201.90	201.92	201.80	201.63	201.55
G166.0	205.00	204.67	204.35	204.05	203.78	203.57	203.47	203.50	203.58	203.61	203.54	203.43	203.38
G167.0	206.61	206.30	206.00	205.71	205.46	205.27	205.18	205.21	205.29	205.32	205.24	205.12	205.07
G168.0	207.99	207.64	207.32	207.03	206.80	206.65	206.59	206.64	206.72	206.75	206.68	206.59	206.56
G169.0	209.33	209.01	208.70	208.43	208.21	208.06	208.01	208.05	208.13	208.17	208.12	208.04	208.04
G170.0	210.47	210.19	209.92	209.67	209.46	209.31	209.25	209.29	209.38	209.43	209.40	209.34	209.35
G171.0	211.53	211.30	211.07	210.86	210.68	210.55	210.49	210.53	210.60	210.65	210.63	210.59	210.61
G172.0	212.52	212.31	212.11	211.92	211.74	211.61	211.56	211.61	211.70	211.76	211.74	211.70	211.70
G173.0	213.41	213.22	213.03	212.85	212.69	212.58	212.54	212.59	212.68	212.74	212.73	212.69	212.69
G174.0	214.31	214.14	213.96	213.80	213.64	213.52	213.48	213.54	213.62	213.68	213.65	213.59	213.57
G175.0	214.94	214.79	214.64	214.52	214.41	214.34	214.31	214.33	214.35	214.37	214.37	214.36	214.37
G176.0	215.54	215.43	215.32	215.21	215.12	215.04	215.01	215.01	215.04	215.05	215.02	215.00	214.97
G177.0	215.90	215.81	215.72	215.65	215.59	215.56	215.54	215.55	215.56	215.56	215.55	215.54	215.53
G178.0	216.19	216.15	216.11	216.08	216.04	216.02	216.00	215.99	216.00	216.00	216.00	216.00	216.00
G179.0	216.43	216.39	216.37	216.34	216.32	216.31	216.31	216.33	216.34	216.35	216.33	216.31	216.31
G180.0	216.56	216.56	216.56	216.56	216.56	216.56	216.56	216.56	216.56	216.56	216.56	216.56	216.56

**Luminaria**

Código 05-9905-CA-CL

Nombre NEMESIS

**Ensayo**

Código 05-9905-CA-CL

Nombre NEMESIS

Flujo Luminaria	438.70 lm	Potencia luminaria	6.40 W	Eficacia	68.55 lm/W	Eficiencia	100.00%
Flujo de Lámpara	438.70 lm	Valor Máximo	216.75 cd/klm	Posición	C=155.00 G=2.00	CG	Asimétrico

**Tabla de Intensidad Luminosa cd/klm Tabla 14/18**

	C 65.00	C 70.00	C 75.00	C 80.00	C 85.00	C 90.00	C 95.00	C 100.00	C 105.00	C 110.00	C 115.00	C 120.00	C 125.00
G146.0	147.59	147.57	147.55	147.52	147.49	147.45	147.90	148.56	149.20	149.70	150.18	150.86	151.86
G147.0	151.04	151.00	150.96	150.91	150.86	150.81	151.25	151.90	152.56	153.08	153.60	154.30	155.31
G148.0	154.35	154.29	154.24	154.18	154.13	154.08	154.51	155.15	155.82	156.35	156.89	157.59	158.59
G149.0	157.77	157.70	157.63	157.51	157.38	157.46	157.87	158.51	159.17	159.73	160.30	161.02	162.01
G150.0	161.03	160.98	160.92	160.79	160.65	160.71	161.13	161.76	162.41	162.93	163.45	164.14	165.14
G151.0	164.32	164.31	164.31	164.22	164.13	164.04	164.44	165.06	165.70	166.19	166.68	167.36	168.37
G152.0	167.49	167.52	167.55	167.44	167.32	167.21	167.58	168.18	168.80	169.29	169.77	170.44	171.43
G153.0	170.63	170.69	170.74	170.63	170.52	170.41	170.77	171.36	171.95	172.41	172.86	173.50	174.47
G154.0	173.68	173.76	173.83	173.73	173.55	173.54	173.88	174.44	175.00	175.44	175.88	176.50	177.44
G155.0	176.67	176.76	176.85	176.75	176.58	176.56	176.89	177.42	177.96	178.38	178.80	179.39	180.27
G156.0	179.51	179.73	179.89	179.78	179.59	179.55	179.85	180.37	180.89	181.28	181.66	182.21	183.06
G157.0	182.41	182.62	182.76	182.64	182.43	182.38	182.67	183.17	183.66	184.01	184.34	184.86	185.69
G158.0	185.26	185.46	185.58	185.45	185.24	185.20	185.50	185.99	186.48	186.80	187.09	187.56	188.35
G159.0	187.90	188.12	188.25	188.14	187.95	187.91	188.19	188.66	189.09	189.35	189.57	189.99	190.74
G160.0	190.53	190.74	190.86	190.75	190.56	190.55	190.85	191.34	191.77	192.01	192.19	192.54	193.21
G161.0	192.97	193.19	193.32	193.23	193.05	193.02	193.30	193.74	194.13	194.33	194.49	194.80	195.40
G162.0	195.34	195.53	195.63	195.54	195.38	195.37	195.64	196.07	196.43	196.61	196.74	197.02	197.58
G163.0	197.56	197.74	197.84	197.76	197.61	197.59	197.83	198.21	198.55	198.74	198.88	199.14	199.64
G164.0	199.67	199.83	199.91	199.82	199.68	199.66	199.90	200.26	200.58	200.73	200.83	201.06	201.51
G165.0	201.65	201.83	201.92	201.83	201.68	201.66	201.88	202.24	202.55	202.70	202.78	202.97	203.37
G166.0	203.46	203.60	203.67	203.59	203.48	203.50	203.74	204.09	204.39	204.52	204.59	204.74	205.07
G167.0	205.18	205.33	205.42	205.36	205.26	205.26	205.48	205.82	206.11	206.24	206.32	206.46	206.75
G168.0	206.68	206.86	206.97	206.95	206.88	206.90	207.10	207.39	207.64	207.74	207.78	207.88	208.13
G169.0	208.17	208.34	208.46	208.45	208.40	208.43	208.62	208.89	209.12	209.22	209.26	209.35	209.57
G170.0	209.48	209.66	209.79	209.79	209.75	209.78	209.96	210.22	210.42	210.49	210.51	210.58	210.78
G171.0	210.73	210.89	211.00	211.01	211.02	211.03	211.18	211.39	211.57	211.66	211.72	211.81	212.01
G172.0	211.81	211.96	212.08	212.12	212.12	212.16	212.29	212.45	212.59	212.68	212.74	212.84	213.03
G173.0	212.77	212.88	212.97	213.00	213.00	213.04	213.18	213.36	213.51	213.57	213.61	213.69	213.87
G174.0	213.63	213.74	213.83	213.85	213.85	213.89	214.01	214.18	214.31	214.37	214.39	214.45	214.58
G175.0	214.42	214.48	214.52	214.54	214.55	214.60	214.70	214.83	214.93	214.98	215.01	215.06	215.17
G176.0	215.04	215.14	215.21	215.23	215.22	215.23	215.30	215.40	215.49	215.53	215.55	215.59	215.68
G177.0	215.60	215.68	215.73	215.72	215.70	215.69	215.75	215.83	215.91	215.94	215.95	215.97	216.02
G178.0	216.04	216.07	216.09	216.08	216.07	216.07	216.11	216.17	216.23	216.26	216.28	216.30	216.34
G179.0	216.35	216.39	216.42	216.41	216.39	216.38	216.40	216.44	216.47	216.47	216.47	216.47	216.49
G180.0	216.56	216.56	216.56	216.56	216.56	216.56	216.56	216.56	216.56	216.56	216.56	216.56	216.56



**Luminaria**

Código 05-9905-CA-CL

Nombre NEMESIS

**Ensayo**

Código 05-9905-CA-CL

Nombre NEMESIS

Flujo Luminaria	438.70 lm	Potencia luminaria	6.40 W	Eficacia	68.55 lm/W	Eficiencia	100.00%
Flujo de Lámpara	438.70 lm	Valor Máximo	216.75 cd/klm	Posición	C=155.00 G=2.00	CG	Asimétrico

**Tabla de Intensidad Luminosa cd/klm Tabla 15/18**

	C 130.00	C 135.00	C 140.00	C 145.00	C 150.00	C 155.00	C 160.00	C 165.00	C 170.00	C 175.00	C 180.00	C 185.00	C 190.00
G146.0	153.06	154.21	155.18	156.07	157.03	158.16	159.29	160.16	160.61	160.86	161.19	161.83	162.62
G147.0	156.49	157.63	158.57	159.43	160.35	161.44	162.53	163.36	163.79	164.04	164.40	165.08	165.91
G148.0	159.73	160.83	161.72	162.53	163.42	164.49	165.55	166.37	166.77	166.98	167.31	167.97	168.80
G149.0	163.12	164.17	165.02	165.77	166.61	167.64	168.67	169.47	169.88	170.10	170.43	171.08	171.89
G150.0	166.27	167.30	168.07	168.73	169.48	170.45	171.47	172.27	172.70	172.94	173.27	173.88	174.65
G151.0	169.52	170.53	171.23	171.79	172.45	173.38	174.39	175.21	175.64	175.88	176.21	176.82	177.57
G152.0	172.54	173.51	174.18	174.69	175.31	176.18	177.14	177.92	178.35	178.61	178.96	179.57	180.31
G153.0	175.57	176.51	177.12	177.57	178.12	178.96	179.89	180.65	181.05	181.27	181.57	182.13	182.83
G154.0	178.49	179.39	179.95	180.36	180.88	181.67	182.55	183.26	183.61	183.79	184.07	184.65	185.39
G155.0	181.25	182.09	182.60	182.97	183.45	184.21	185.06	185.73	186.03	186.17	186.41	186.95	187.65
G156.0	184.01	184.82	185.31	185.63	186.05	186.74	187.51	188.14	188.45	188.61	188.87	189.40	190.09
G157.0	186.62	187.40	187.83	188.09	188.44	189.06	189.79	190.38	190.66	190.80	191.03	191.52	192.16
G158.0	189.26	190.00	190.41	190.63	190.92	191.47	192.13	192.66	192.93	193.07	193.30	193.77	194.37
G159.0	191.62	192.34	192.71	192.89	193.13	193.61	194.20	194.69	194.94	195.08	195.29	195.72	196.28
G160.0	194.00	194.67	195.02	195.20	195.43	195.85	196.37	196.80	197.03	197.17	197.37	197.76	198.27
G161.0	196.14	196.76	197.09	197.27	197.48	197.86	198.31	198.69	198.91	199.05	199.26	199.62	200.10
G162.0	198.26	198.83	199.12	199.26	199.43	199.78	200.22	200.59	200.81	200.95	201.13	201.46	201.89
G163.0	200.23	200.72	200.97	201.10	201.28	201.61	202.02	202.37	202.56	202.69	202.87	203.22	203.67
G164.0	202.06	202.50	202.70	202.78	202.92	203.25	203.68	204.04	204.23	204.34	204.51	204.83	205.25
G165.0	203.85	204.23	204.40	204.47	204.59	204.89	205.28	205.61	205.81	205.94	206.12	206.44	206.85
G166.0	205.47	205.79	205.92	205.96	206.07	206.35	206.72	207.04	207.23	207.34	207.51	207.81	208.19
G167.0	207.10	207.38	207.49	207.52	207.62	207.88	208.22	208.51	208.66	208.75	208.91	209.22	209.62
G168.0	208.44	208.70	208.81	208.87	208.98	209.23	209.55	209.80	209.92	209.98	210.11	210.39	210.77
G169.0	209.84	210.05	210.14	210.17	210.27	210.51	210.82	211.07	211.18	211.23	211.35	211.64	212.01
G170.0	211.05	211.27	211.36	211.39	211.48	211.68	211.93	212.14	212.24	212.29	212.40	212.63	212.95
G171.0	212.24	212.41	212.48	212.51	212.57	212.73	212.94	213.12	213.21	213.27	213.37	213.57	213.83
G172.0	213.23	213.38	213.44	213.45	213.50	213.66	213.86	214.02	214.08	214.10	214.16	214.33	214.57
G173.0	214.07	214.23	214.28	214.27	214.30	214.42	214.58	214.71	214.75	214.76	214.81	214.95	215.15
G174.0	214.75	214.89	214.96	215.00	215.05	215.15	215.27	215.36	215.37	215.37	215.37	215.48	215.64
G175.0	215.30	215.41	215.47	215.51	215.55	215.62	215.70	215.76	215.78	215.79	215.82	215.90	216.02
G176.0	215.78	215.86	215.89	215.89	215.91	215.98	216.08	216.15	216.17	216.17	216.20	216.29	216.40
G177.0	216.09	216.14	216.17	216.18	216.20	216.27	216.35	216.41	216.43	216.43	216.44	216.49	216.56
G178.0	216.38	216.42	216.44	216.45	216.47	216.49	216.53	216.56	216.58	216.60	216.62	216.66	216.70
G179.0	216.53	216.55	216.55	216.55	216.54	216.55	216.56	216.58	216.59	216.61	216.62	216.62	216.63
G180.0	216.56	216.56	216.56	216.56	216.56	216.56	216.56	216.56	216.56	216.56	216.56	216.56	216.56

**Luminaria**

Código 05-9905-CA-CL

Nombre NEMESIS

**Ensayo**

Código 05-9905-CA-CL

Nombre NEMESIS

Flujo Luminaria	438.70 lm	Potencia luminaria	6.40 W	Eficacia	68.55 lm/W	Eficiencia	100.00%
Flujo de Lámpara	438.70 lm	Valor Máximo	216.75 cd/klm	Posición	C=155.00 G=2.00	CG	Asimétrico

**Tabla de Intensidad Luminosa cd/klm Tabla 16/18**

	C 195.00	C 200.00	C 205.00	C 210.00	C 215.00	C 220.00	C 225.00	C 230.00	C 235.00	C 240.00	C 245.00	C 250.00	C 255.00
G146.0	163.34	163.78	163.94	163.86	163.61	163.31	163.12	163.11	163.09	163.08	162.67	162.13	161.70
G147.0	166.65	167.08	167.21	167.10	166.80	166.48	166.27	166.27	166.26	166.26	165.85	165.30	164.86
G148.0	169.54	169.97	170.11	169.99	169.69	169.36	169.16	169.18	169.27	169.20	168.80	168.26	167.83
G149.0	172.60	173.02	173.14	173.02	172.72	172.38	172.16	172.14	172.13	172.12	171.73	171.22	170.80
G150.0	175.34	175.78	175.93	175.83	175.52	175.15	174.91	174.91	175.00	174.93	174.55	174.04	173.63
G151.0	178.23	178.60	178.70	178.56	178.26	177.91	177.69	177.66	177.64	177.62	177.27	176.81	176.44
G152.0	180.96	181.34	181.45	181.31	180.99	180.62	180.38	180.37	180.36	180.35	180.03	179.59	179.22
G153.0	183.46	183.85	183.97	183.86	183.57	183.22	182.97	182.92	182.95	182.88	182.60	182.21	181.88
G154.0	186.04	186.44	186.57	186.45	186.13	185.76	185.48	185.41	185.43	185.39	185.16	184.84	184.55
G155.0	188.30	188.71	188.86	188.77	188.48	188.14	187.87	187.79	187.79	187.75	187.55	187.27	187.02
G156.0	190.71	191.09	191.24	191.16	190.89	190.56	190.30	190.20	190.19	190.13	189.93	189.67	189.44
G157.0	192.75	193.14	193.31	193.26	193.02	192.72	192.48	192.39	192.37	192.31	192.12	191.88	191.67
G158.0	194.93	195.30	195.45	195.41	195.21	194.93	194.71	194.62	194.59	194.52	194.34	194.11	193.92
G159.0	196.82	197.22	197.43	197.42	197.21	196.91	196.67	196.60	196.61	196.59	196.44	196.23	196.05
G160.0	198.77	199.16	199.39	199.41	199.20	198.90	198.65	198.64	198.62	198.61	198.49	198.30	198.14
G161.0	200.59	201.00	201.26	201.30	201.09	200.77	200.53	200.48	200.53	200.55	200.42	200.22	200.03
G162.0	202.34	202.75	203.02	203.07	202.87	202.56	202.32	202.28	202.34	202.35	202.20	201.98	201.78
G163.0	204.13	204.52	204.76	204.80	204.62	204.33	204.12	204.09	204.15	204.14	203.96	203.70	203.49
G164.0	205.69	206.06	206.30	206.35	206.18	205.93	205.74	205.72	205.78	205.77	205.59	205.33	205.12
G165.0	207.26	207.60	207.81	207.86	207.73	207.53	207.38	207.38	207.38	207.38	207.17	206.90	206.68
G166.0	208.58	208.88	209.08	209.14	209.06	208.92	208.82	208.82	208.82	208.82	208.64	208.39	208.19
G167.0	210.00	210.30	210.47	210.53	210.47	210.36	210.26	210.24	210.24	210.19	210.02	209.80	209.62
G168.0	211.15	211.45	211.64	211.71	211.65	211.54	211.46	211.44	211.45	211.40	211.25	211.05	210.89
G169.0	212.36	212.61	212.73	212.76	212.71	212.62	212.55	212.54	212.54	212.49	212.37	212.22	212.09
G170.0	213.27	213.52	213.69	213.74	213.68	213.56	213.47	213.46	213.46	213.46	213.33	213.17	213.03
G171.0	214.09	214.30	214.43	214.48	214.43	214.35	214.30	214.30	214.33	214.32	214.22	214.08	213.96
G172.0	214.81	215.01	215.15	215.19	215.16	215.08	215.01	215.01	215.02	215.02	214.95	214.86	214.77
G173.0	215.36	215.52	215.62	215.67	215.66	215.63	215.60	215.59	215.60	215.58	215.52	215.44	215.36
G174.0	215.81	215.95	216.04	216.08	216.09	216.07	216.05	216.05	216.04	216.02	215.96	215.88	215.81
G175.0	216.14	216.26	216.34	216.39	216.38	216.36	216.35	216.36	216.36	216.36	216.30	216.23	216.16
G176.0	216.51	216.57	216.60	216.60	216.59	216.57	216.56	216.57	216.58	216.58	216.54	216.47	216.41
G177.0	216.63	216.68	216.72	216.73	216.72	216.70	216.70	216.70	216.70	216.71	216.67	216.63	216.58
G178.0	216.73	216.75	216.75	216.74	216.72	216.70	216.70	216.71	216.73	216.74	216.72	216.69	216.65
G179.0	216.64	216.67	216.69	216.70	216.70	216.69	216.68	216.69	216.69	216.70	216.69	216.68	216.67
G180.0	216.56	216.56	216.56	216.56	216.56	216.56	216.56	216.56	216.56	216.56	216.56	216.56	216.56

**Luminaria**

Código 05-9905-CA-CL

Nombre NEMESIS

**Ensayo**

Código 05-9905-CA-CL

Nombre NEMESIS

Flujo Luminaria	438.70 lm	Potencia luminaria	6.40 W	Eficacia	68.55 lm/W	Eficiencia	100.00%
Flujo de Lámpara	438.70 lm	Valor Máximo	216.75 cd/klm	Posición	C=155.00 G=2.00	CG	Asimétrico

**Tabla de Intensidad Luminosa cd/klm Tabla 17/18**

	C 260.00	C 265.00	C 270.00	C 275.00	C 280.00	C 285.00	C 290.00	C 295.00	C 300.00	C 305.00	C 310.00	C 315.00	C 320.00
G146.0	161.55	161.50	161.33	160.86	160.27	159.81	159.65	159.63	159.49	159.05	158.49	158.01	157.78
G147.0	164.69	164.64	164.48	164.04	163.48	163.03	162.87	162.83	162.69	162.32	161.82	161.38	161.14
G148.0	167.67	167.62	167.46	167.01	166.44	166.00	165.84	165.81	165.70	165.33	164.83	164.39	164.12
G149.0	170.64	170.60	170.43	170.01	169.48	169.06	168.93	168.92	168.80	168.43	167.92	167.46	167.21
G150.0	173.49	173.47	173.33	172.91	172.37	171.95	171.82	171.81	171.71	171.35	170.86	170.41	170.15
G151.0	176.32	176.29	176.14	175.74	175.23	174.84	174.72	174.72	174.62	174.26	173.76	173.30	173.03
G152.0	179.06	178.99	178.83	178.45	177.99	177.64	177.52	177.51	177.40	177.06	176.61	176.19	175.94
G153.0	181.75	181.67	181.49	181.09	180.61	180.25	180.14	180.14	180.05	179.73	179.28	178.87	178.63
G154.0	184.39	184.28	184.07	183.69	183.25	182.92	182.80	182.78	182.67	182.36	181.94	181.58	181.37
G155.0	186.87	186.74	186.52	186.13	185.68	185.35	185.24	185.23	185.13	184.82	184.40	184.05	183.88
G156.0	189.32	189.21	189.01	188.64	188.21	187.88	187.75	187.71	187.58	187.26	186.87	186.56	186.44
G157.0	191.57	191.49	191.29	190.91	190.46	190.12	190.01	189.99	189.89	189.57	189.17	188.86	188.78
G158.0	193.84	193.76	193.57	193.19	192.75	192.43	192.34	192.34	192.25	191.93	191.52	191.22	191.17
G159.0	195.96	195.87	195.67	195.29	194.84	194.51	194.41	194.41	194.34	194.06	193.70	193.45	193.44
G160.0	198.05	197.97	197.76	197.37	196.91	196.57	196.46	196.45	196.39	196.15	195.84	195.62	195.62
G161.0	199.94	199.85	199.66	199.31	198.90	198.57	198.42	198.38	198.31	198.11	197.88	197.72	197.70
G162.0	201.71	201.65	201.49	201.13	200.69	200.35	200.22	200.21	200.16	199.99	199.77	199.62	199.61
G163.0	203.41	203.37	203.23	202.91	202.51	202.19	202.07	202.06	202.01	201.84	201.62	201.47	201.46
G164.0	205.05	205.03	204.91	204.60	204.21	203.90	203.76	203.72	203.67	203.51	203.31	203.17	203.16
G165.0	206.60	206.58	206.47	206.20	205.84	205.56	205.45	205.43	205.39	205.24	205.06	204.92	204.90
G166.0	208.10	208.05	207.93	207.67	207.35	207.09	206.99	206.97	206.92	206.78	206.59	206.45	206.41
G167.0	209.53	209.48	209.35	209.10	208.80	208.57	208.49	208.49	208.45	208.30	208.10	207.94	207.89
G168.0	210.81	210.76	210.64	210.40	210.10	209.88	209.80	209.79	209.75	209.61	209.40	209.24	209.18
G169.0	212.01	211.95	211.83	211.59	211.31	211.10	211.04	211.04	211.01	210.87	210.69	210.53	210.45
G170.0	212.98	212.96	212.86	212.64	212.38	212.18	212.12	212.13	212.11	211.98	211.80	211.64	211.56
G171.0	213.90	213.85	213.75	213.56	213.33	213.16	213.10	213.10	213.08	212.96	212.80	212.64	212.53
G172.0	214.71	214.65	214.55	214.38	214.18	214.03	213.96	213.94	213.91	213.83	213.70	213.58	213.47
G173.0	215.32	215.27	215.18	215.03	214.86	214.73	214.66	214.63	214.59	214.49	214.37	214.27	214.20
G174.0	215.77	215.74	215.68	215.58	215.46	215.37	215.33	215.31	215.27	215.17	215.04	214.94	214.89
G175.0	216.13	216.11	216.06	215.98	215.88	215.81	215.78	215.77	215.74	215.67	215.57	215.49	215.46
G176.0	216.38	216.35	216.32	216.27	216.21	216.16	216.14	216.12	216.10	216.07	216.02	215.98	215.95
G177.0	216.56	216.55	216.52	216.47	216.41	216.36	216.34	216.34	216.33	216.30	216.26	216.22	216.20
G178.0	216.62	216.60	216.58	216.56	216.55	216.54	216.53	216.53	216.51	216.47	216.43	216.39	216.38
G179.0	216.66	216.66	216.66	216.65	216.64	216.62	216.59	216.57	216.55	216.55	216.56	216.56	216.55
G180.0	216.56	216.56	216.56	216.56	216.56	216.56	216.56	216.56	216.56	216.56	216.56	216.56	216.56

**Luminaria**

Código 05-9905-CA-CL  
Nombre NEMESIS

**Ensayo**

Código 05-9905-CA-CL  
Nombre NEMESIS

Flujo Luminaria	438.70 lm	Potencia luminaria	6.40 W	Eficacia	68.55 lm/W	Eficiencia	100.00%
Flujo de Lámpara	438.70 lm	Valor Máximo	216.75 cd/klm	Posición	C=155.00 G=2.00	CG	Asimétrico

**Tabla de Intensidad Luminosa cd/klm Tabla 18/18**

	C 325.00	C 330.00	C 335.00	C 340.00	C 345.00	C 350.00	C 355.00
G146.0	157.67	157.46	157.03	156.47	155.94	155.58	155.36
G147.0	160.99	160.76	160.32	159.78	159.28	158.93	158.70
G148.0	163.95	163.71	163.31	162.82	162.37	162.03	161.80
G149.0	167.05	166.84	166.45	165.98	165.54	165.24	165.04
G150.0	169.98	169.75	169.38	168.93	168.51	168.20	167.99
G151.0	172.85	172.62	172.26	171.82	171.42	171.13	170.94
G152.0	175.77	175.55	175.19	174.77	174.37	174.08	173.87
G153.0	178.46	178.25	177.91	177.49	177.10	176.82	176.63
G154.0	181.24	181.04	180.70	180.29	179.90	179.63	179.45
G155.0	183.78	183.61	183.26	182.82	182.41	182.13	181.97
G156.0	186.39	186.26	185.90	185.43	185.00	184.73	184.59
G157.0	188.78	188.67	188.32	187.83	187.37	187.09	186.94
G158.0	191.21	191.14	190.80	190.31	189.85	189.55	189.40
G159.0	193.43	193.41	193.07	192.57	192.09	191.79	191.62
G160.0	195.61	195.60	195.26	194.77	194.31	194.02	193.88
G161.0	197.68	197.66	197.34	196.89	196.46	196.18	196.02
G162.0	199.60	199.59	199.28	198.85	198.44	198.18	198.04
G163.0	201.46	201.45	201.19	200.80	200.43	200.17	200.02
G164.0	203.15	203.14	202.91	202.56	202.22	201.96	201.79
G165.0	204.91	204.84	204.62	204.30	203.98	203.74	203.58
G166.0	206.40	206.33	206.12	205.83	205.53	205.31	205.14
G167.0	207.88	207.81	207.62	207.36	207.10	206.89	206.74
G168.0	209.16	209.09	208.90	208.64	208.40	208.21	208.09
G169.0	210.40	210.31	210.11	209.86	209.63	209.48	209.39
G170.0	211.51	211.40	211.21	210.96	210.74	210.60	210.52
G171.0	212.44	212.32	212.16	211.98	211.81	211.68	211.60
G172.0	213.38	213.27	213.12	212.95	212.80	212.69	212.60
G173.0	214.16	214.08	213.94	213.78	213.63	213.53	213.46
G174.0	214.87	214.82	214.72	214.59	214.47	214.39	214.34
G175.0	215.45	215.41	215.32	215.20	215.09	215.02	214.97
G176.0	215.91	215.86	215.78	215.68	215.60	215.58	215.56
G177.0	216.18	216.14	216.09	216.03	215.98	215.94	215.92
G178.0	216.37	216.35	216.31	216.26	216.22	216.21	216.20
G179.0	216.55	216.54	216.52	216.48	216.45	216.44	216.43
G180.0	216.56	216.56	216.56	216.56	216.56	216.56	216.56

# LEDS C4<sup>®</sup>

## Luminaria

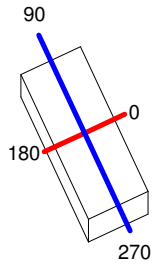
Código 05-9905-CA-CL  
Nombre NEMESIS

## Ensayo

Código 05-9905-CA-CL  
Nombre NEMESIS

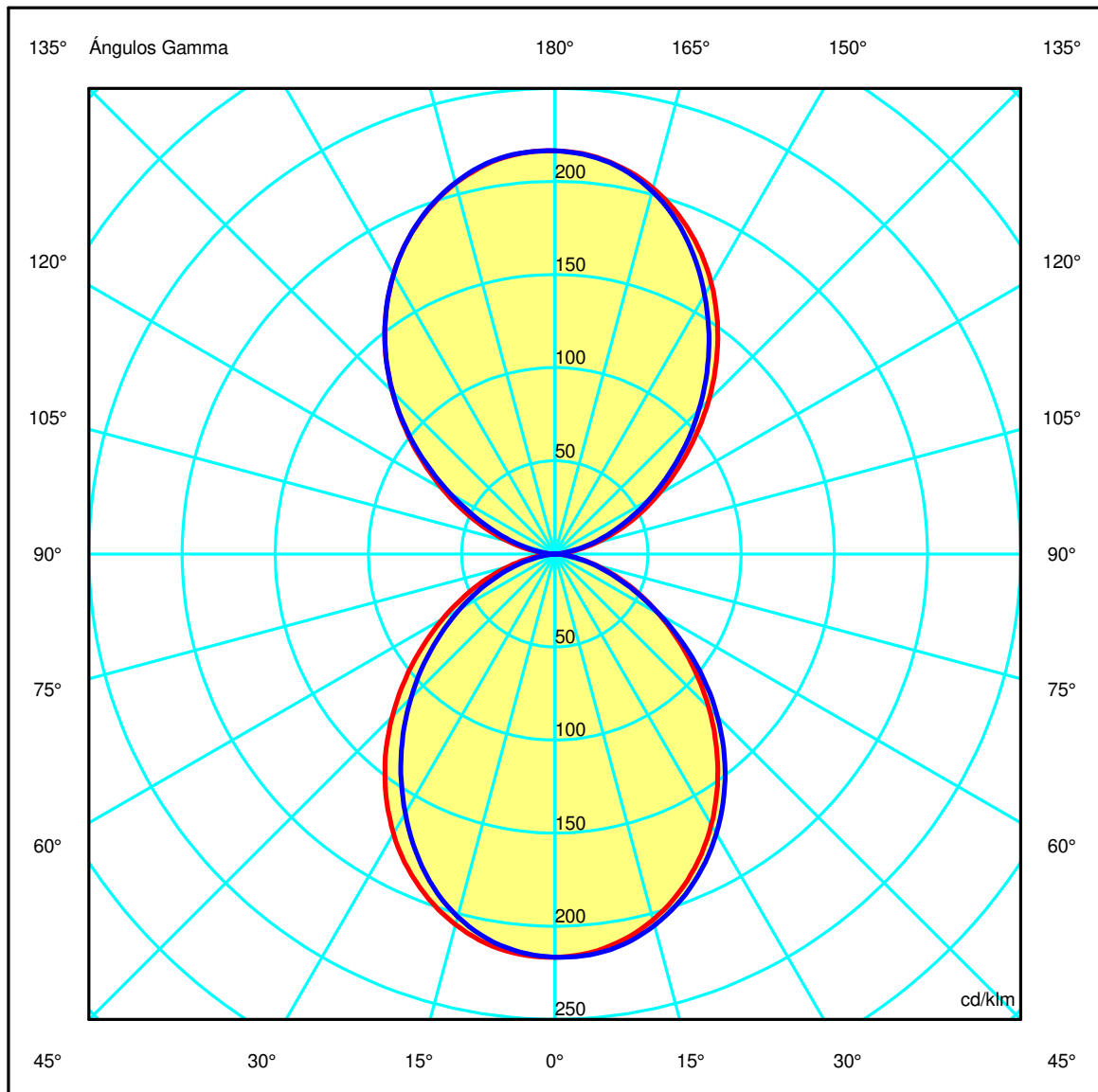
Flujo Luminaria	438.70 lm	Potencia luminaria	6.40 W	Eficacia	68.55 lm/W	Eficiencia	100.00%
Flujo de Lámpara	438.70 lm	Valor Máximo	216.75 cd/klm	Posición	C=155.00 G=2.00	CG	Asimétrico

170mm x 70mm



Semiplanos C

180.0 ——— 0.0  
270.0 ——— 90.0



# LEDS C4<sup>®</sup>

## Luminaria

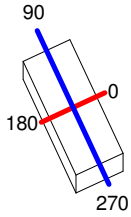
Código 05-9905-CA-CL  
Nombre NEMESIS

## Ensayo

Código 05-9905-CA-CL  
Nombre NEMESIS

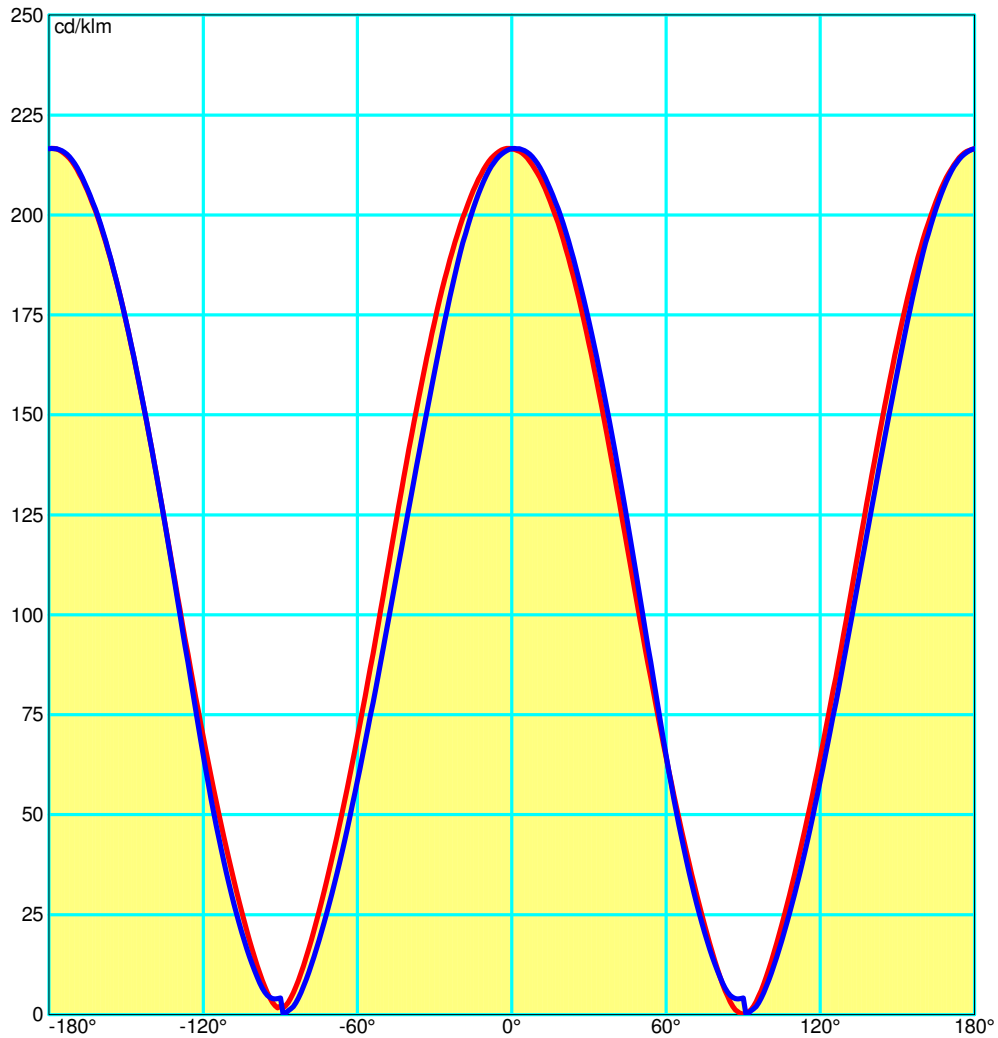
Flujo Luminaria	438.70 lm	Potencia luminaria	6.40 W	Eficacia	68.55 lm/W	Eficiencia	100.00%
Flujo de Lámpara	438.70 lm	Valor Máximo	216.75 cd/klm	Posición	C=155.00 G=2.00	CG	Asimétrico

170mm x 70mm



Semiplanos C

180.0 ——— 0.0  
270.0 ——— 90.0



**Luminaria**

Código 05-9905-CA-CL

Nombre NEMESIS

**Ensayo**

Código 05-9905-CA-CL

Nombre NEMESIS

Flujo Luminaria	438.70 lm	Potencia luminaria	6.40 W	Eficacia	68.55 lm/W	Eficiencia	100.00%
Flujo de Lámpara	438.70 lm	Valor Máximo	216.75 cd/klm	Posición	C=155.00 G=2.00	CG	Asimétrico

**UGR**  
S = 0.250

Reflectancias										
Ceiling/Cavity	0.7	0.7	0.5	0.5	0.3	0.7	0.7	0.5	0.5	0.3
Walls	0.5	0.3	0.5	0.3	0.3	0.5	0.3	0.5	0.3	0.3
WorkingPlane	0.2	0.2	0.2	0.2	0.2	0.2	0.2	0.2	0.2	0.2
RoomDimensions	Viewed Crosswise					Viewed Endwise				
x=2H y=2H	15.4	16.2	16.3	17.0	18.1	14.4	15.2	15.3	16.1	17.2
x=2H y=3H	16.5	17.2	17.4	18.1	19.3	15.4	16.1	16.3	17.0	18.1
x=2H y=4H	17.0	17.6	17.9	18.5	19.7	15.7	16.3	16.6	17.2	18.4
x=2H y=6H	17.2	17.8	18.1	18.7	19.9	15.8	16.4	16.7	17.3	18.5
x=2H y=8H	17.3	17.8	18.2	18.8	20.0	15.8	16.4	16.7	17.3	18.5
x=2H y=12H	17.3	17.8	18.2	18.7	20.0	15.7	16.3	16.7	17.2	18.4
x=4H y=2H	15.8	16.4	16.7	17.3	18.5	14.9	15.5	15.8	16.5	17.6
x=4H y=3H	17.1	17.6	18.1	18.6	19.8	16.0	16.5	17.0	17.5	18.7
x=4H y=4H	17.6	18.1	18.6	19.1	20.3	16.4	16.8	17.4	17.8	19.1
x=4H y=6H	18.0	18.4	19.0	19.4	20.7	16.6	17.0	17.6	17.9	19.2
x=4H y=8H	18.1	18.5	19.1	19.5	20.7	16.6	16.9	17.6	17.9	19.2
x=4H y=12H	18.1	18.5	19.1	19.5	20.8	16.5	16.9	17.5	17.9	19.1
x=8H y=4H	17.7	18.1	18.7	19.1	20.4	16.5	16.9	17.5	17.9	19.1
x=8H y=6H	18.2	18.5	19.2	19.5	20.8	16.8	17.1	17.8	18.1	19.4
x=8H y=8H	18.4	18.6	19.4	19.6	21.0	16.8	17.0	17.8	18.1	19.4
x=8H y=12H	18.5	18.7	19.5	19.7	21.1	16.8	17.0	17.8	18.0	19.4
x=12H y=4H	17.7	18.0	18.7	19.0	20.3	16.5	16.8	17.5	17.8	19.1
x=12H y=6H	18.2	18.4	19.2	19.5	20.8	16.7	17.0	17.8	18.0	19.3
x=12H y=8H	18.4	18.6	19.4	19.6	21.0	16.8	17.0	17.8	18.0	19.4

**Luminaria**

 Código 05-9905-CA-CL  
 Nombre NEMESIS

**Ensayo**

 Código 05-9905-CA-CL  
 Nombre NEMESIS

Flujo Luminaria	438.70 lm	Potencia luminaria	6.40 W	Eficacia	68.55 lm/W	Eficiencia	100.00%
Flujo de Lámpara	438.70 lm	Valor Máximo	216.75 cd/klm	Posición	C=155.00 G=2.00	CG	Asimétrico

Flujo Total=438.70 Flujo Luminaria=438.70

RI	0.60	0.80	1.00	1.25	1.50	2.00	2.50	3.00	4.00	5.00	10.00	20.00
DRR	0.36	0.44	0.52	0.59	0.64	0.72	0.78	0.81	0.86	0.89	0.94	0.97
RC	4	4	4	4	4	4	4	4	4	3	3	3

Flujo Zonal por 1000 Lúmenes

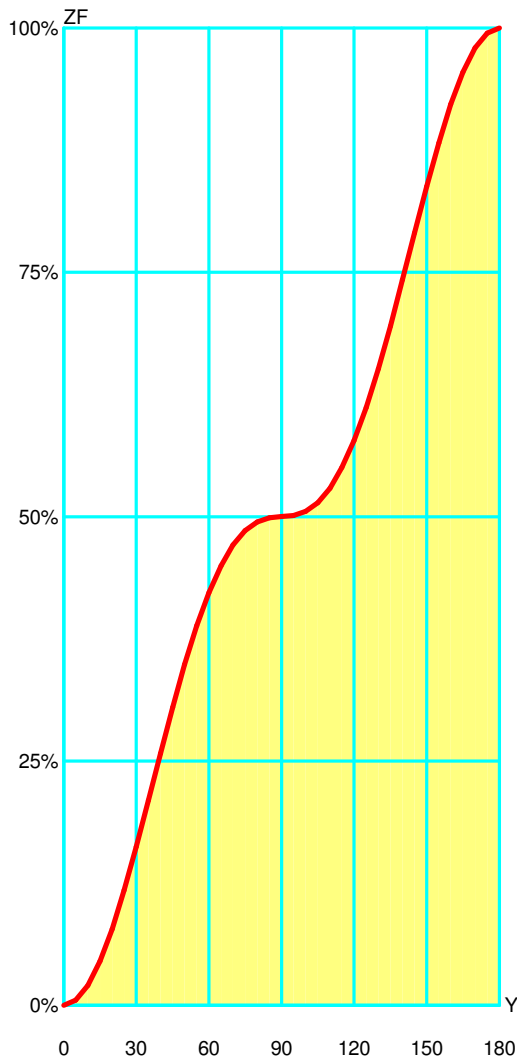
Y°	10	20	30	40	50	60	70	80	90	100	110	120	130	140	150	160	170	180
ZF(Y)	20	78	162	258	349	422	471	495	500	505	529	578	651	742	838	922	980	1000

Códigos de Flujo C.I.E.

54 84 97 50 100

C.I.E.	4/4/4/4/4/4/4/4/3/3/3
D DIN 5040	C41
F UTE	0.50 D + 0.50 T
B NBN	BZ 4
RN	50.00000 %
BLF	1.0

LOR	100.00000 %
ULOR	50.00000 %
DLOR	50.00000 %
UFF	50.00000 %
DFF	50.00000 %
FFR	100.00000 %



Gamma °	Flujo Zonal			
	Flujo	Suma lm	Flujo [%]	Suma [%]
0°	0.00	0.00	0.00%	0.00 %
5°	5.16	5.16	0.52 %	0.52 %
10°	15.27	20.43	1.53 %	2.04 %
15°	24.67	45.11	2.47 %	4.51 %
20°	32.92	78.03	3.29 %	7.80 %
25°	39.63	117.66	3.96 %	11.77 %
30°	44.52	162.18	4.45 %	16.22 %
35°	47.39	209.57	4.74 %	20.96 %
40°	48.20	257.77	4.82 %	25.78 %
45°	47.03	304.80	4.70 %	30.48 %
50°	44.04	348.84	4.40 %	34.88 %
55°	39.50	388.34	3.95 %	38.83 %
60°	33.84	422.18	3.38 %	42.22 %
65°	27.57	449.75	2.76 %	44.98 %
70°	21.12	470.87	2.11 %	47.09 %
75°	14.81	485.68	1.48 %	48.57 %
80°	8.98	494.66	0.90 %	49.47 %
85°	4.08	498.74	0.41 %	49.87 %
90°	1.26	500.00	0.13 %	50.00 %
95°	1.26	501.26	0.13 %	50.13 %
100°	4.08	505.34	0.41 %	50.53 %
105°	8.98	514.32	0.90 %	51.43 %
110°	14.81	529.13	1.48 %	52.91 %
115°	21.12	550.25	2.11 %	55.02 %
120°	27.57	577.82	2.76 %	57.78 %
125°	33.84	611.66	3.38 %	61.17 %
130°	39.50	651.16	3.95 %	65.12 %
135°	44.04	695.20	4.40 %	69.52 %
140°	47.03	742.23	4.70 %	74.22 %
145°	48.20	790.43	4.82 %	79.04 %
150°	47.39	837.82	4.74 %	83.78 %
155°	44.52	882.34	4.45 %	88.23 %
160°	39.63	921.97	3.96 %	92.20 %
165°	32.92	954.89	3.29 %	95.49 %
170°	24.67	979.57	2.47 %	97.96 %
175°	15.27	994.84	1.53 %	99.48 %
180°	5.16	1000.00	0.52 %	100.00 %



**Luminaria**

Código 05-9905-CA-CL  
Nombre NEMESIS

**Ensayo**

Código 05-9905-CA-CL  
Nombre NEMESIS

Flujo Luminaria	438.70 lm	Potencia luminaria	6.40 W	Eficacia	68.55 lm/W	Eficiencia	100.00%
Flujo de Lámpara	438.70 lm	Valor Máximo	216.75 cd/klm	Posición	C=155.00 G=2.00	CG	Asimétrico

Utilización CIE

Montaje	Directo	Normalización										Normalizados										Raz. de Susp. 1/3										CIE Estándar																																																																																																																																																																																																																																																																																							
Techo																																																																																																																																																																																																																																																																																																																							
K	8873	8773	8871	8771	7773	7771	7753	7553	7751	7551	7731	7331	7711	7111	5551	5531	5331	5511	5111	3331	3311	1111	0000	0.60	548	492	510	460	468	439	414	352	396	338	367	277	346	236	316	296	262	282	225	248	237	205	188	0.80	605	555	547	505	528	482	469	410	438	385	405	322	381	279	360	338	305	321	266	289	277	243	222	1.00	644	599	568	531	570	509	510	455	465	418	432	357	407	312	391	368	338	350	298	321	307	274	250	1.25	678	638	582	552	608	530	549	498	489	447	457	389	431	345	420	397	369	379	330	351	337	304	278	1.50	703	668	590	565	636	543	579	532	505	468	475	413	450	371	441	419	393	401	356	375	361	329	300	2.00	735	707	597	578	674	558	623	583	526	496	499	448	476	410	470	450	428	433	394	410	397	366	333	2.50	756	732	600	584	699	566	653	618	539	514	515	471	494	436	489	471	452	455	421	434	422	393	357	3.00	771	750	601	588	717	571	675	644	547	526	526	488	507	456	502	486	469	471	441	451	440	413	375	4.00	790	774	602	592	740	578	706	681	558	542	541	511	525	484	520	506	493	494	469	476	466	441	400	5.00	802	789	602	594	756	581	726	705	565	551	550	525	537	502	531	519	508	508	487	491	483	460	417	10.00	828	821	601	597	788	587	771	759	578	571	570	557	562	543	554	547	541	541	529	527	522	504	455	20.00	841	838	600	598	805	589	796	789	585	581	580	574	576	566	566	563	559	559	553	546	543	528	476

Pared

K	8873	8773	8871	8771	7773	7771	7753	7553	7751	7551	7731	7331	7711	7111	5551	5531	5331	5511	5111	3331	3311	1111	0000	0.60	370	340	323	298	324	284	255	227	229	204	192	158	166	128	191	162	149	141	122	142	124	112	97	0.80	426	396	360	336	373	319	304	273	266	239	228	190	200	157	220	191	177	169	147	165	147	130	111	1.00	464	435	382	360	408	339	340	308	290	264	253	215	225	180	240	212	197	190	166	181	163	143	121	1.25	499	471	400	380	438	356	374	342	311	287	276	238	249	203	257	231	216	209	185	195	179	154	129	1.50	524	498	411	393	461	368	401	370	327	303	294	257	267	222	269	245	230	224	200	206	190	162	134	2.00	553	531	419	405	488	377	435	406	343	322	314	280	290	247	282	261	247	243	220	217	203	170	138	2.50	572	552	423	411	505	382	458	432	352	334	327	296	305	265	290	271	259	254	233	224	212	174	139	3.00	583	566	424	413	516	383	474	450	357	341	335	307	315	278	294	277	266	262	242	228	217	177	139	4.00	603	589	428	420	534	388	499	478	367	354	349	325	332	300	303	289	279	276	259	236	227	182	141	5.00	616	604	431	425	547	392	516	499	375	364	359	339	344	316	309	297	289	286	271	242	234	187	144	10.00	644	637	438	434	574	401	556	545	391	384	381	369	372	355	324	316	311	310	300	257	252	198	149	20.00	655	651	437	435	585	401	575	569	395	392	390	383	385	374	327	323	320	320	314	261	258	200	148
---	------	------	------	------	------	------	------	------	------	------	------	------	------	------	------	------	------	------	------	------	------	------	------	------	-----	-----	-----	-----	-----	-----	-----	-----	-----	-----	-----	-----	-----	-----	-----	-----	-----	-----	-----	-----	-----	-----	----	------	-----	-----	-----	-----	-----	-----	-----	-----	-----	-----	-----	-----	-----	-----	-----	-----	-----	-----	-----	-----	-----	-----	-----	------	-----	-----	-----	-----	-----	-----	-----	-----	-----	-----	-----	-----	-----	-----	-----	-----	-----	-----	-----	-----	-----	-----	-----	------	-----	-----	-----	-----	-----	-----	-----	-----	-----	-----	-----	-----	-----	-----	-----	-----	-----	-----	-----	-----	-----	-----	-----	------	-----	-----	-----	-----	-----	-----	-----	-----	-----	-----	-----	-----	-----	-----	-----	-----	-----	-----	-----	-----	-----	-----	-----	------	-----	-----	-----	-----	-----	-----	-----	-----	-----	-----	-----	-----	-----	-----	-----	-----	-----	-----	-----	-----	-----	-----	-----	------	-----	-----	-----	-----	-----	-----	-----	-----	-----	-----	-----	-----	-----	-----	-----	-----	-----	-----	-----	-----	-----	-----	-----	------	-----	-----	-----	-----	-----	-----	-----	-----	-----	-----	-----	-----	-----	-----	-----	-----	-----	-----	-----	-----	-----	-----	-----	------	-----	-----	-----	-----	-----	-----	-----	-----	-----	-----	-----	-----	-----	-----	-----	-----	-----	-----	-----	-----	-----	-----	-----	------	-----	-----	-----	-----	-----	-----	-----	-----	-----	-----	-----	-----	-----	-----	-----	-----	-----	-----	-----	-----	-----	-----	-----	-------	-----	-----	-----	-----	-----	-----	-----	-----	-----	-----	-----	-----	-----	-----	-----	-----	-----	-----	-----	-----	-----	-----	-----	-------	-----	-----	-----	-----	-----	-----	-----	-----	-----	-----	-----	-----	-----	-----	-----	-----	-----	-----	-----	-----	-----	-----	-----

P.Trab.

K	8873	8773	8871	8771	7773	7771	7753	7553	7751	7551	7731	7331	7711	7111	5551	5531	5331	5511	5111	3331	3311	1111	0000	0.60	483	451	450	422	431	405	347	318	334	307	286	251	252	215	290	252	239	224	206	229	205	192	178	0.80	583	549	537	508	520	484	434	400	414	383	364	321	326	278	356	317	301	288	264	284	260	239	222	1.00	663	628	604	576	591	546	506	469	479	446	429	381	390	335	410	372	355	343	315	330	307	278	259	1.25	738	704	665	639	659	603	578	539	541	509	493	443	455	395	463	427	408	398	367	376	353	317	294	1.50	795	762	710	685	711	646	633	595	588	557	543	493	505	444	503	469	450	441	409	411	389	346	321	2.00	876	848	772	752	786	706	718	681	658	629	618	570	583	523	563	533	514	508	476	464	445	392	362	2.50	930	905	812	794	836	745	775	740	703	677	668	623	637	579	602	576	559	554	523	499	483	421	389	3.00	968	945	839	823	872	772	817	785	736	712	704	663	676	621	631	608	591	587	558	525	510	442	407	4.00	1000	998	873	860	917	806	872	844	776	757	750	715	726	679	666	647	633	630	604	557	545	468	429	5.00	1000	1000	893	883	946	826	908	883	802	785	779	749	759	717	689	673	660	658	635	577	566	484	443	10.00	1000	1000	935	929	1000	869	986	971	856	846	843	825	831	805	737	727	720	719	704	621	615	518	470	20.00	1000	1000	957	954	1000	891	1000	1000	884	879	878	868	871	857	763	758	754	753	745	645	642	536	485
---	------	------	------	------	------	------	------	------	------	------	------	------	------	------	------	------	------	------	------	------	------	------	------	------	-----	-----	-----	-----	-----	-----	-----	-----	-----	-----	-----	-----	-----	-----	-----	-----	-----	-----	-----	-----	-----	-----	-----	------	-----	-----	-----	-----	-----	-----	-----	-----	-----	-----	-----	-----	-----	-----	-----	-----	-----	-----	-----	-----	-----	-----	-----	------	-----	-----	-----	-----	-----	-----	-----	-----	-----	-----	-----	-----	-----	-----	-----	-----	-----	-----	-----	-----	-----	-----	-----	------	-----	-----	-----	-----	-----	-----	-----	-----	-----	-----	-----	-----	-----	-----	-----	-----	-----	-----	-----	-----	-----	-----	-----	------	-----	-----	-----	-----	-----	-----	-----	-----	-----	-----	-----	-----	-----	-----	-----	-----	-----	-----	-----	-----	-----	-----	-----	------	-----	-----	-----	-----	-----	-----	-----	-----	-----	-----	-----	-----	-----	-----	-----	-----	-----	-----	-----	-----	-----	-----	-----	------	-----	-----	-----	-----	-----	-----	-----	-----	-----	-----	-----	-----	-----	-----	-----	-----	-----	-----	-----	-----	-----	-----	-----	------	-----	-----	-----	-----	-----	-----	-----	-----	-----	-----	-----	-----	-----	-----	-----	-----	-----	-----	-----	-----	-----	-----	-----	------	------	-----	-----	-----	-----	-----	-----	-----	-----	-----	-----	-----	-----	-----	-----	-----	-----	-----	-----	-----	-----	-----	-----	------	------	------	-----	-----	-----	-----	-----	-----	-----	-----	-----	-----	-----	-----	-----	-----	-----	-----	-----	-----	-----	-----	-----	-------	------	------	-----	-----	------	-----	-----	-----	-----	-----	-----	-----	-----	-----	-----	-----	-----	-----	-----	-----	-----	-----	-----	-------	------	------	-----	-----	------	-----	------	------	-----	-----	-----	-----	-----	-----	-----	-----	-----	-----	-----	-----	-----	-----	-----

LM53 SHR C0-C180: 1.155 SHR C90-C270: 1.190 SHR Superficial: 1.272

# LEDS C4

## Luminaria

Código 05-9905-CA-CL  
Nombre NEMESIS

## Ensayo

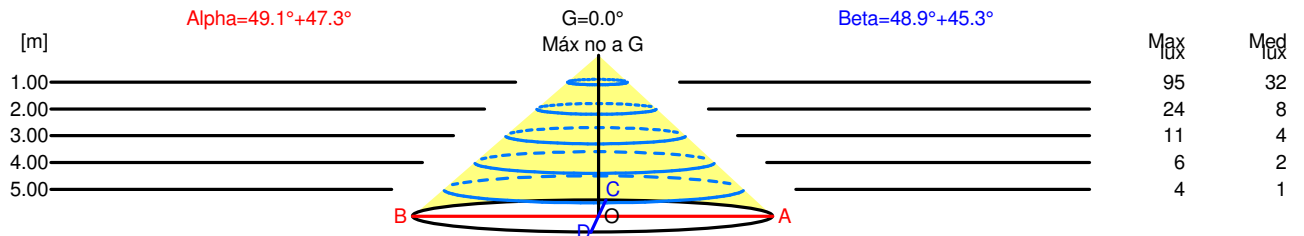
Código 05-9905-CA-CL  
Nombre NEMESIS

Flujo Luminaria	438.70 lm	Potencia luminaria	6.40 W	Eficacia	68.55 lm/W	Eficiencia	100.00%
Flujo de Lámpara	438.70 lm	Valor Máximo	216.75 cd/klm	Posición	C=155.00 G=2.00	CG	Asimétrico

### Apertura a 50.00 % de Max Intensidad

H[m]	1.00	2.00	3.00	4.00	5.00	H[m]	1.00	2.00	3.00	4.00	5.00
OA	1.08	2.17	3.25	4.33	5.42	OC	1.15	2.29	3.44	4.59	5.73
OB	1.15	2.31	3.46	4.62	5.77	OD	1.01	2.02	3.03	4.04	5.05

	Intensidades Luminosas [ cd/klm]									
	0	5	15	25	35	45	55	65	75	85
OA	95.00	94.30	89.25	79.78	66.69	51.19	35.49	21.51	9.83	1.40
OB	95.00	94.68	90.42	81.78	69.34	54.14	37.95	23.41	11.27	2.38
OC	95.00	94.79	90.58	81.83	69.38	54.08	36.91	20.80	9.03	2.11
OD	95.00	94.14	88.47	77.46	63.22	47.92	32.71	19.04	8.12	0.88



H[m]	D[m]	Max lux	Med lux	Alpha=49.1°+47.3°	G=0.0 Máx no a G
1.00	2.24	95	32		
2.00	4.48	24	8		
3.00	6.71	11	4		
4.00	8.95	6	2		
5.00	11.19	4	1		

H[m]	D[m]	Max lux	Med lux	Beta=45.3°+48.9°	G=0.0 Máx no a G
1.00	2.16	95	32		
2.00	4.31	24	8		
3.00	6.47	11	4		
4.00	8.62	6	2		
5.00	10.78	4	1		

# LEDS C4<sup>+</sup>

**Luminaria**

Código 05-9905-CA-CL  
Nombre NEMESIS

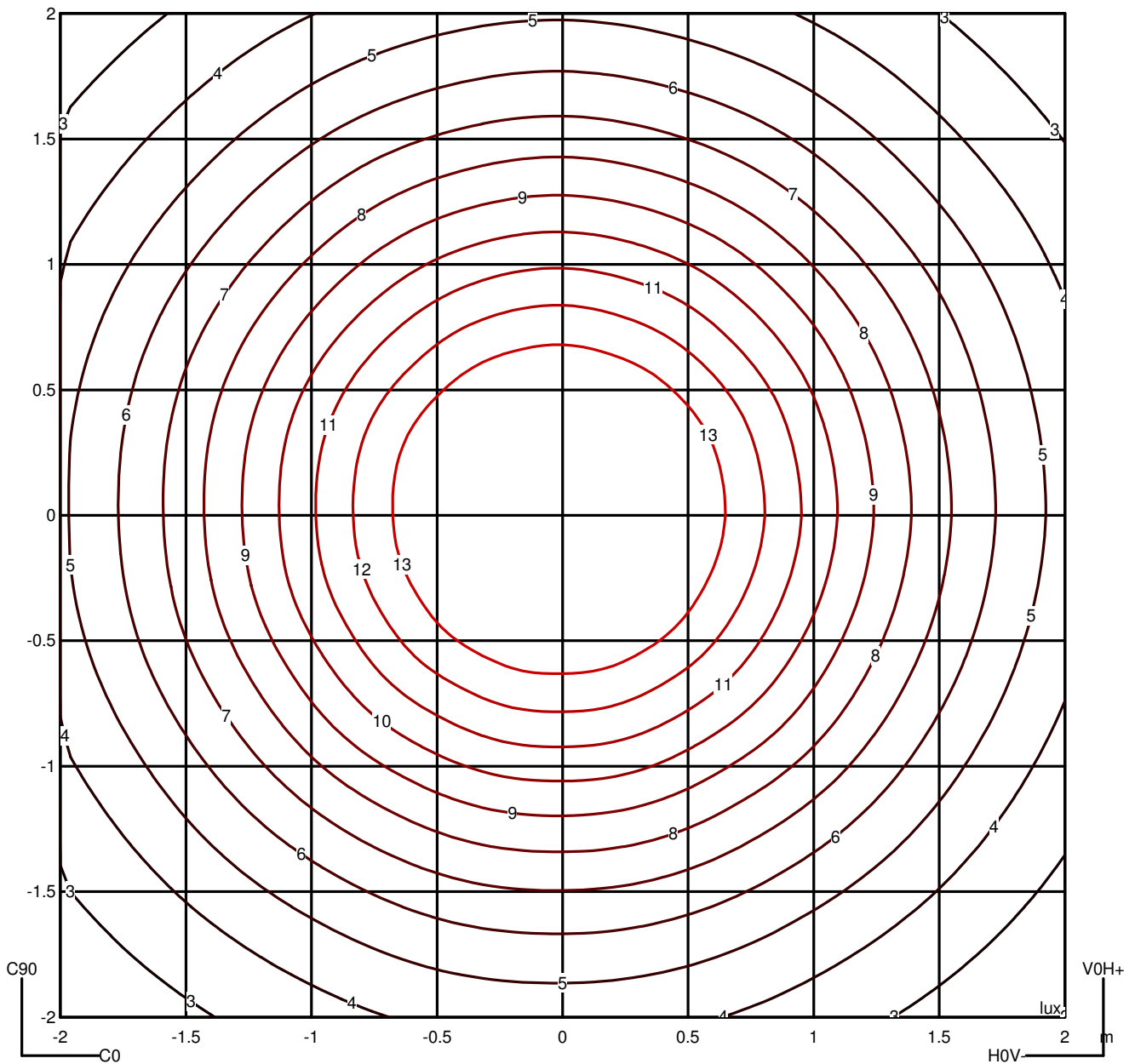
**Ensayo**

Código 05-9905-CA-CL  
Nombre NEMESIS

Flujo Luminaria	438.70 lm	Potencia luminaria	6.40 W	Eficacia	68.55 lm/W	Eficiencia	100.00%
Flujo de Lámpara	438.70 lm	Valor Máximo	216.75 cd/klm	Posición	C=155.00 G=2.00	CG	Asimétrico

Isolux (Suelo)

Posición Luminaria X=0.00m Y=0.00m Z=2.50m



# LEDS C4<sup>®</sup>

**Luminaria**

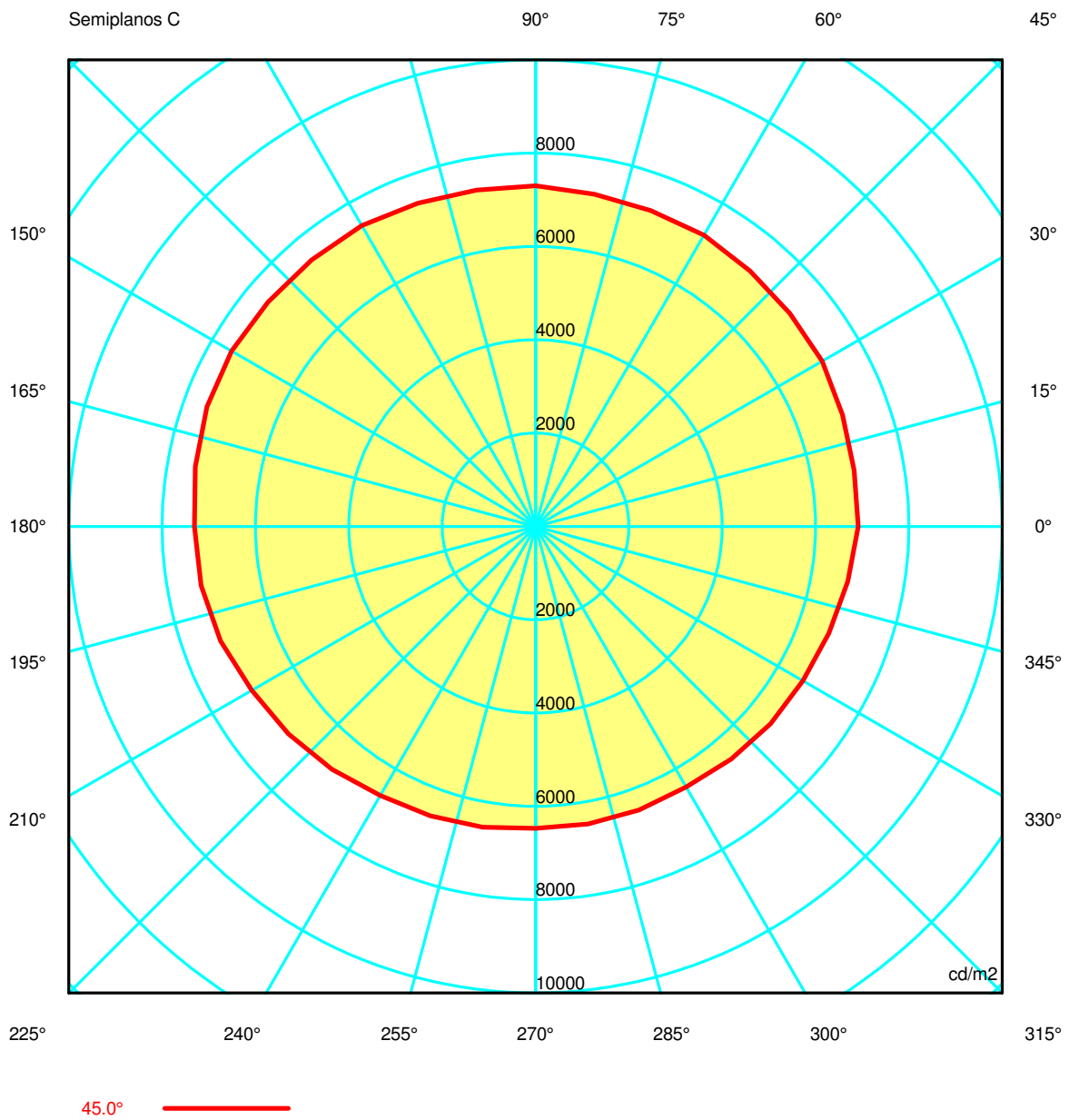
Código 05-9905-CA-CL  
Nombre NEMESIS

**Ensayo**

Código 05-9905-CA-CL  
Nombre NEMESIS

Flujo Luminaria	438.70 lm	Potencia luminaria	6.40 W	Eficacia	68.55 lm/W	Eficiencia	100.00%
Flujo de Lámpara	438.70 lm	Valor Máximo	216.75 cd/klm	Posición	C=155.00 G=2.00	CG	Asimétrico

Luminancia



**Luminaria**

Código 05-9905-CA-CL

Nombre NEMESIS

**Ensayo**

Código 05-9905-CA-CL

Nombre NEMESIS

Flujo Luminaria	438.70 lm	Potencia luminaria	6.40 W	Eficacia	68.55 lm/W	Eficiencia	100.00%
Flujo de Lámpara	438.70 lm	Valor Máximo	216.75 cd/klm	Posición	C=155.00 G=2.00	CG	Asimétrico

**Luminance cd/m2 Tabla 1/3**

	C 0.00	C 10.00	C 20.00	C 30.00	C 40.00	C 50.00	C 60.00	C 70.00	C 80.00	C 90.00	C 100.00	C 110.00	C 120.00
G 0.0	9072.19	9072.19	9072.19	9072.19	9072.19	9072.19	9072.19	9072.19	9072.19	9072.19	9072.19	9072.19	9072.19
G 5.0	9039.01	9042.00	9049.73	9058.52	9060.67	9065.24	9072.51	9074.08	9078.44	9086.07	9088.81	9092.98	9098.53
G 10.0	8953.37	8958.51	8973.99	8992.94	8999.60	9009.82	9022.82	9023.23	9034.38	9054.96	9060.15	9067.90	9080.17
G 15.0	8823.44	8836.42	8860.40	8884.12	8886.48	8893.34	8907.82	8910.30	8927.52	8954.89	8960.34	8973.18	8994.01
G 20.0	8640.37	8649.69	8682.91	8720.24	8720.94	8730.71	8755.28	8758.21	8778.59	8816.41	8829.53	8840.56	8854.26
G 25.0	8406.32	8418.89	8450.41	8487.01	8499.34	8523.74	8557.42	8562.65	8582.95	8621.64	8637.81	8656.18	8678.23
G 30.0	8118.21	8136.38	8171.62	8211.53	8230.68	8265.01	8306.10	8311.40	8338.25	8384.51	8392.50	8418.92	8461.87
G 35.0	7774.86	7792.17	7839.69	7894.52	7909.35	7945.21	7997.24	8002.09	8031.94	8088.22	8100.87	8132.24	8181.94
G 40.0	7371.48	7384.88	7447.78	7524.75	7538.58	7575.48	7636.82	7640.56	7672.20	7737.14	7754.79	7789.80	7842.56
G 45.0	6912.89	6928.56	6999.94	7088.40	7107.78	7149.15	7211.47	7205.72	7234.08	7303.51	7321.77	7372.25	7450.26
G 50.0	6416.95	6440.29	6518.29	6612.81	6638.17	6679.94	6730.06	6698.46	6709.17	6775.75	6798.09	6876.44	6993.59
G 55.0	5907.89	5934.13	6012.85	6106.70	6131.22	6162.63	6183.65	6105.57	6084.36	6145.51	6178.21	6290.55	6457.79
G 60.0	5392.04	5417.60	5499.17	5592.84	5601.33	5603.06	5580.27	5444.65	5380.48	5427.17	5470.12	5627.51	5857.09
G 65.0	4859.34	4885.07	4968.71	5057.81	5041.01	5002.02	4932.76	4754.37	4662.13	4699.74	4750.20	4930.83	5200.82
G 70.0	4287.36	4307.84	4396.13	4485.04	4437.13	4360.75	4263.07	4062.03	3964.03	4005.62	4051.83	4245.49	4550.10
G 75.0	3626.21	3645.24	3741.60	3834.59	3763.55	3664.97	3560.74	3360.40	3275.07	3330.99	3374.68	3571.38	3894.72
G 80.0	2761.81	2780.88	2898.88	3015.02	2931.06	2838.23	2771.39	2602.26	2559.91	2654.79	2693.04	2892.00	3244.39
G 85.0	1535.50	1571.16	1753.11	1930.11	1822.16	1792.31	1929.23	1988.68	2133.84	2310.44	2313.51	2429.60	2764.47
G 90.0	0.00	0.00	0.00	0.00	0.00	0.00	0.00	0.00	0.00	0.00	0.00	0.00	0.00

**Luminaria**

Código 05-9905-CA-CL

Nombre NEMESIS

**Ensayo**

Código 05-9905-CA-CL

Nombre NEMESIS

Flujo Luminaria	438.70 lm	Potencia luminaria	6.40 W	Eficacia	68.55 lm/W	Eficiencia	100.00%
Flujo de Lámpara	438.70 lm	Valor Máximo	216.75 cd/klm	Posición	C=155.00 G=2.00	CG	Asimétrico

**Luminance cd/m2 Tabla 2/3**

	C 130.00	C 140.00	C 150.00	C 160.00	C 170.00	C 180.00	C 190.00	C 200.00	C 210.00	C 220.00	C 230.00	C 240.00	C 250.00
G 0.0	9072.19	9072.19	9072.19	9072.19	9072.19	9072.19	9072.19	9072.19	9072.19	9072.19	9072.19	9072.19	9072.19
G 5.0	9098.35	9098.71	9099.64	9094.11	9084.12	9075.83	9074.20	9070.87	9064.61	9061.25	9053.82	9043.99	9040.61
G 10.0	9080.54	9084.59	9092.32	9083.00	9058.55	9035.28	9028.26	9015.23	8996.02	8990.92	8977.82	8957.85	8954.11
G 15.0	8994.08	9000.57	9014.88	9003.52	8971.04	8939.37	8926.02	8902.93	8873.13	8865.09	8841.01	8803.03	8791.15
G 20.0	8855.59	8867.13	8889.98	8878.88	8838.92	8799.16	8783.85	8754.28	8712.46	8694.37	8648.89	8583.73	8559.88
G 25.0	8680.16	8696.33	8725.45	8722.76	8674.03	8616.30	8599.12	8553.99	8479.70	8440.61	8378.13	8291.90	8245.49
G 30.0	8461.19	8472.67	8505.66	8502.91	8448.43	8381.58	8354.06	8294.39	8198.15	8130.22	8042.83	7940.18	7881.61
G 35.0	8183.00	8194.19	8224.78	8220.11	8158.91	8083.60	8053.66	7984.75	7865.73	7767.80	7655.69	7541.70	7484.01
G 40.0	7846.28	7864.58	7905.35	7895.32	7823.67	7739.25	7696.70	7606.59	7465.87	7359.97	7240.89	7117.84	7058.12
G 45.0	7461.48	7482.24	7521.65	7496.99	7405.74	7311.51	7275.92	7180.28	7022.85	6916.86	6790.95	6655.07	6601.68
G 50.0	7020.01	7047.92	7090.19	7050.00	6940.27	6834.97	6792.59	6688.72	6525.90	6426.52	6306.74	6171.63	6119.14
G 55.0	6525.23	6571.38	6611.30	6560.90	6436.74	6318.53	6271.60	6165.44	6003.41	5914.51	5803.66	5669.15	5610.54
G 60.0	5966.24	6038.61	6096.84	6056.35	5935.35	5815.67	5763.01	5641.75	5467.31	5388.00	5284.27	5142.85	5073.88
G 65.0	5366.41	5493.24	5586.27	5552.75	5422.48	5289.93	5229.11	5109.68	4938.76	4849.95	4734.50	4583.45	4500.74
G 70.0	4751.56	4924.60	5062.97	5043.50	4900.58	4750.43	4686.37	4557.10	4370.30	4279.55	4148.76	3973.57	3891.62
G 75.0	4123.08	4342.15	4525.77	4508.50	4336.66	4158.28	4090.98	3954.80	3750.58	3651.32	3506.35	3314.25	3230.87
G 80.0	3498.29	3737.72	3932.30	3901.76	3678.82	3448.14	3382.24	3233.93	2993.37	2886.47	2721.70	2490.06	2384.22
G 85.0	2981.56	3210.68	3411.81	3324.86	2962.29	2609.59	2561.35	2367.97	1991.68	1823.35	1587.04	1272.21	1176.23
G 90.0	0.00	0.00	0.00	0.00	0.00	0.00	0.00	0.00	0.00	0.00	0.00	0.00	0.00

**Luminaria**

Código 05-9905-CA-CL

Nombre NEMESIS

**Ensayo**

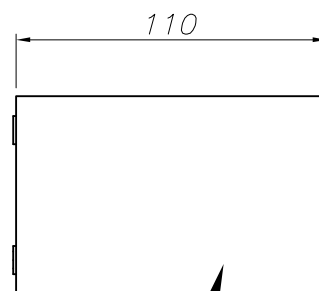
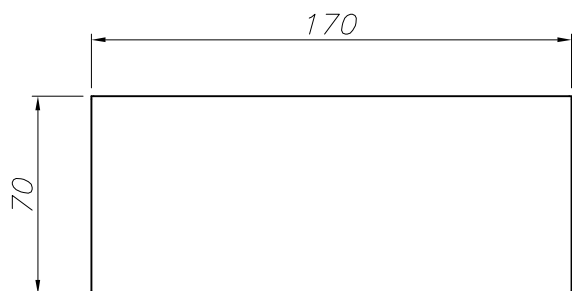
Código 05-9905-CA-CL

Nombre NEMESIS

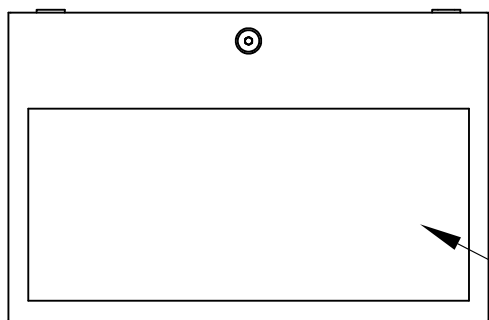
Flujo Luminaria	438.70 lm	Potencia luminaria	6.40 W	Eficacia	68.55 lm/W	Eficiencia	100.00%
Flujo de Lámpara	438.70 lm	Valor Máximo	216.75 cd/klm	Posición	C=155.00 G=2.00	CG	Asimétrico

**Luminance cd/m2 Tabla 3/3**

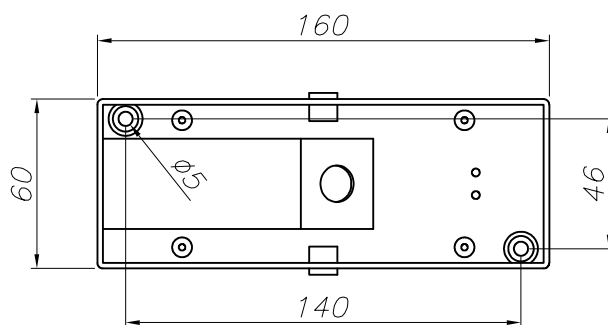
	C 260.00	C 270.00	C 280.00	C 290.00	C 300.00	C 310.00	C 320.00	C 330.00	C 340.00	C 350.00
G 0.0	9072.19	9072.19	9072.19	9072.19	9072.19	9072.19	9072.19	9072.19	9072.19	9072.19
G 5.0	9034.04	9024.44	9021.97	9019.27	9014.88	9014.91	9014.17	9012.50	9016.69	9026.38
G 10.0	8942.39	8923.84	8924.20	8918.82	8905.62	8907.59	8906.72	8901.17	8910.16	8929.85
G 15.0	8771.28	8745.93	8753.25	8753.31	8741.48	8752.22	8756.45	8752.27	8770.35	8797.83
G 20.0	8530.04	8494.74	8503.72	8503.29	8490.60	8516.32	8537.62	8541.17	8559.77	8595.43
G 25.0	8200.96	8161.33	8170.16	8170.54	8162.18	8215.21	8255.69	8263.29	8291.30	8342.75
G 30.0	7825.10	7774.23	7777.98	7787.10	7792.46	7856.77	7911.20	7935.95	7977.02	8040.77
G 35.0	7426.83	7369.42	7369.87	7370.11	7370.15	7441.80	7504.44	7539.07	7602.20	7685.87
G 40.0	6997.87	6935.37	6935.61	6932.68	6926.58	6990.98	7054.85	7099.33	7173.74	7269.51
G 45.0	6542.24	6471.78	6474.90	6467.62	6449.93	6512.97	6575.54	6613.89	6686.62	6791.91
G 50.0	6055.32	5978.84	5985.35	5977.95	5959.71	6015.54	6062.73	6088.27	6169.00	6287.47
G 55.0	5533.59	5446.55	5459.70	5458.87	5444.55	5503.12	5541.63	5554.65	5639.88	5769.34
G 60.0	4985.92	4892.58	4913.00	4921.84	4918.11	4981.51	5018.28	5026.30	5109.33	5243.32
G 65.0	4398.91	4301.81	4330.52	4358.82	4363.72	4438.37	4479.46	4482.17	4559.33	4697.04
G 70.0	3790.77	3685.85	3714.44	3746.23	3757.87	3846.18	3885.03	3888.75	3963.99	4109.57
G 75.0	3119.43	2996.78	3034.58	3055.77	3060.37	3163.69	3212.47	3196.37	3275.09	3434.03
G 80.0	2251.93	2108.48	2142.98	2159.32	2157.51	2274.39	2328.33	2301.44	2374.95	2545.01
G 85.0	1086.86	961.66	971.62	949.92	898.32	1018.75	1079.64	1080.28	1138.93	1303.24
G 90.0	0.00	0.00	0.00	0.00	0.00	0.00	0.00	0.00	0.00	0.00



ACERO INOXIDABLE AISI 316  
STAINLESS STEEL AISI 316



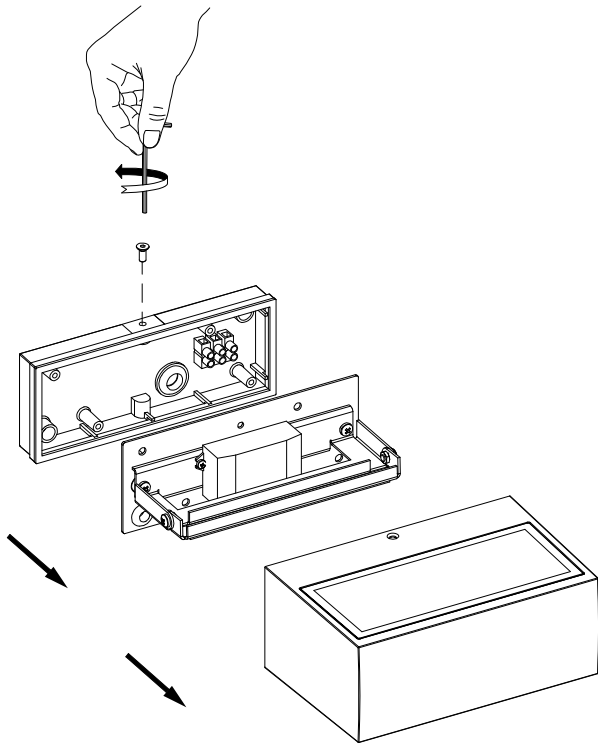
CRISTAL MATE  
MATT GLASS



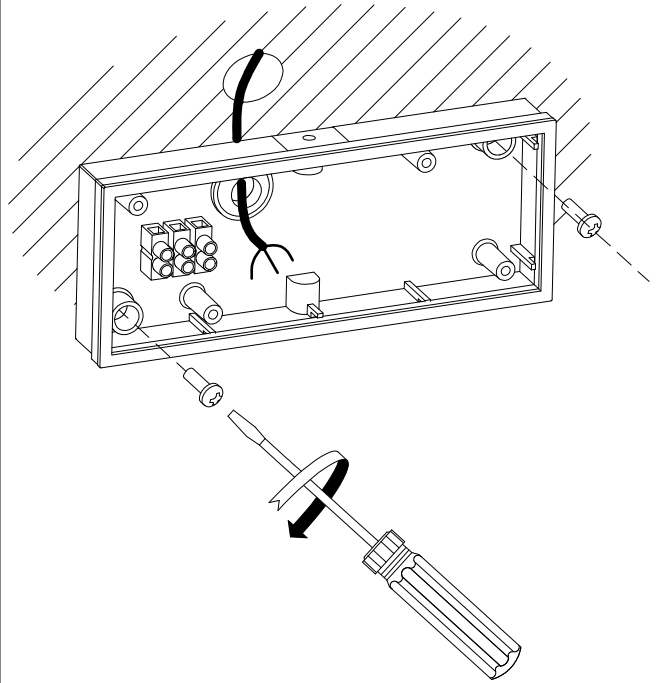
PLANTILLA DE INSTALACIÓN  
INSTALLATION TEMPLATE



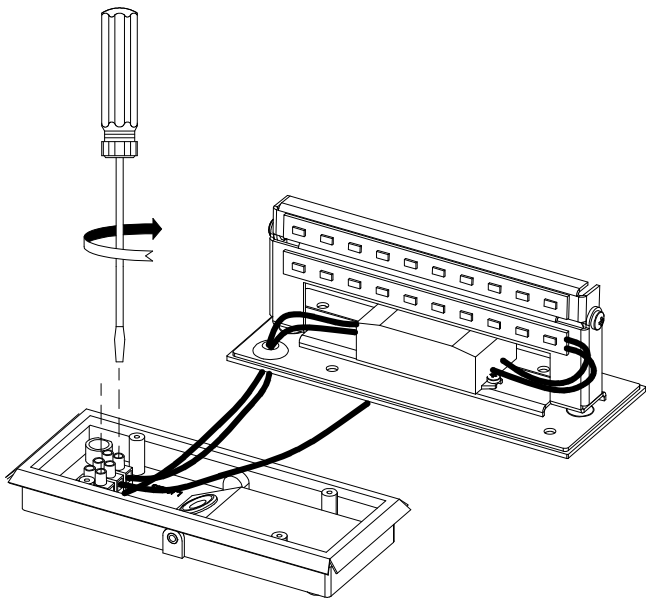
①



②



③



④

