

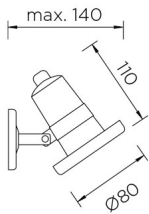
**AQUA Spotlight AISI 316 Submersible**



**Description**

Waterproof light for outdoor use.

For uplighting in water. Includes spike for ground or lawn mounting. Suitable for installation in marine environments. Cable meters included: 2.5. Adjustable light source. Structure material: Stainless steel AISI316. Structure finish: Polished. Blades finishes: NA. Diffuser material: Glass. UV protection. Warranty: 5 Years.



**Finish**  
Polished  
NA

**Material**  
Stainless steel AISI316  
Glass

IP68 (1m) IK10 25° ±45° 360° 8

**TECHNICAL CHARACTERISTICS**

**Light source**

Light source: LED SAMSUNG  
Output (W): 5W  
Color temperature: LED warm-white 3000K  
CRI: 80  
Photobiological risk: RG2  
Real Lumen: 311  
Qty Leds: 3  
Lm/Real W: 62  
Life Time: 50.000h L70B30  
Bin / Grup: L32/L14  
MacAdam steps: 3  
UGR: 17.6

**GEAR**

This item requires gear. It is not included.

**Luminaire**

Double cable exit: No  
Drainage: No  
Seaside: Yes  
Cable meters included: 2.5  
Uv Protection: Yes  
Warranty: 5 Years

**Logistics**

Energy Efficiency: LED A++  
EAN Code: 8435381454784  
Net Weight (Kg): 0.550  
Weight in Kg (packaged): 0.690  
Packing: 100 x 100 x 180  
Masterbox: 8

The photograph may not match the reference exactly. Please read the product description to identify the finish.

**Luminaire**

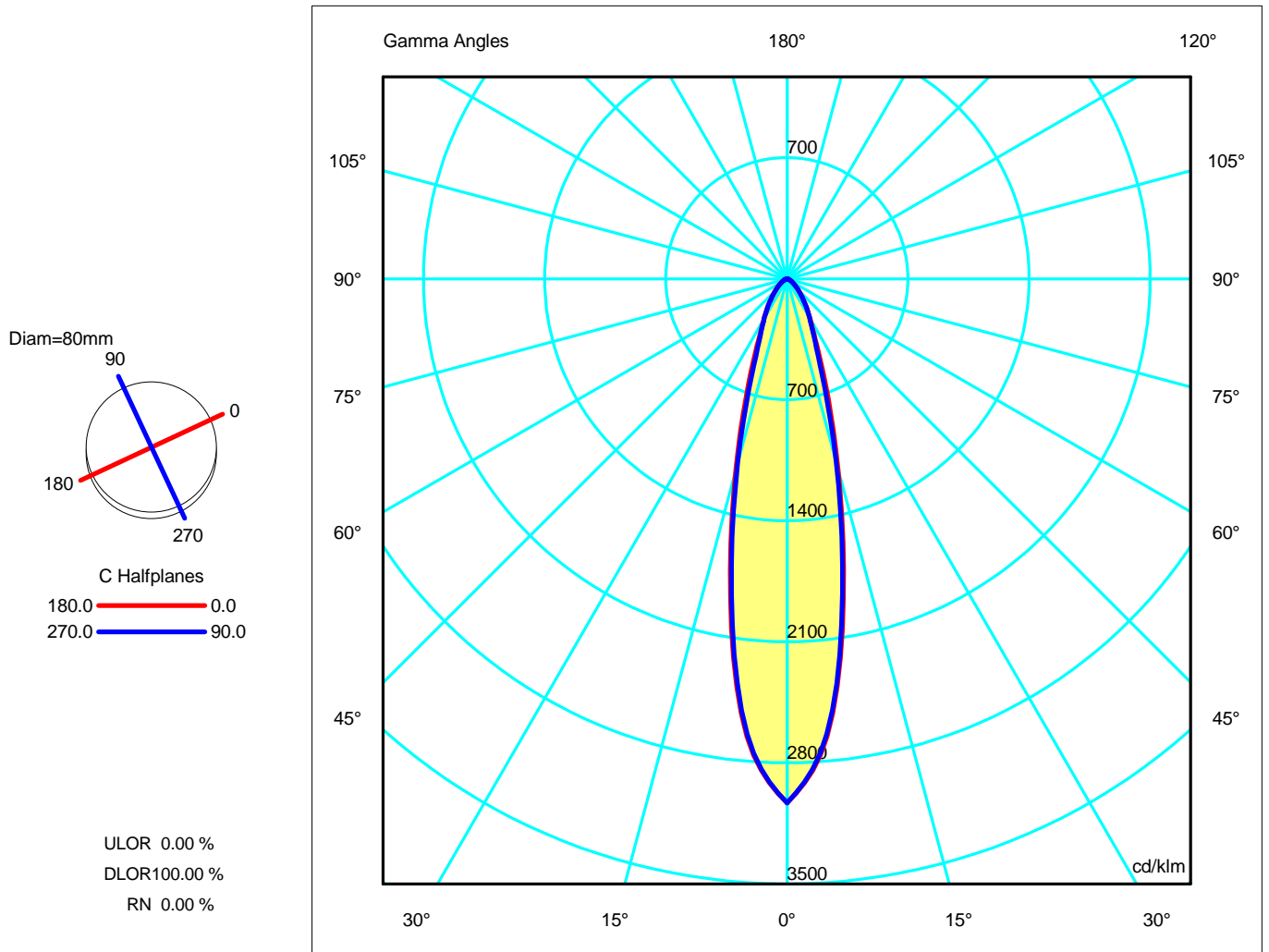
Code 05-9889-CA-CL  
 Name Aplique AQUA led 5W 12V

**Measur.**

Code 05-9889-CA-CL  
 Name Aplique AQUA led 5W 12V

Luminaire Flux	310.78 lm	Luminaire Power	5.00 W	Efficacy	62.16 lm/W	Efficiency	100.00%
Lamps Flux	310.78 lm	Maximum value	3030.41 cd/klm	Position	C=0.00 G=0.00	CG Double Symmetrical	
Round Luminaire Round Luminous Area		Diam. Diam.	80 mm 50 mm	Height Height	110 mm 0 mm		
Horizontal Luminous Area Emitting area on Plane 0° Emitting area on Plane 90°		0.001963 m2 0.000000 m2 0.000000 m2		Emitting area on Plane 180° Emitting area on Plane 270° Glare area at 76°		0.000000 m2 0.000000 m2 0.000475 m2	
Coordinate system Date Measurement Distance		CG 16-02-2017 0.00		Symmetry Type Maximum Gamma Angle Measurement Flux		Double Symmetrical 90 341.86 lm	
Operator Temperature Humidity Notes		Asselum T2 25.00 °C 60.00 %		Source Voltage [V] Source current [A] Photocell			

Line		Code		Luminaire Lamps		Flux [lm]	Pow. [W]	Q.ty
		05-9889-CA-CL		05-9889-CA-CL		310.78	5.00	1
C.I.E.	87 97 100 100 100			D DIN 5040	A60			
F UTE	1.00 A			B NBN	BZ 1			



**Luminaire**

Code 05-9889-CA-CL  
 Name Aplique AQUA led 5W 12V

**Measur.**

Code 05-9889-CA-CL  
 Name Aplique AQUA led 5W 12V

Luminaire Flux	310.78 lm	Luminaire Power	5.00 W	Efficacy	62.16 lm/W	Efficiency	100.00%
Lamps Flux	310.78 lm	Maximum value	3030.41 cd/klm	Position	C=0.00 G=0.00	CG	Double Symmetrical

**Luminous Intensity Table cd/klm Table 1/1**

	C 0.00	C 15.00	C 30.00	C 45.00	C 60.00	C 75.00	C 90.00
G 0.0	3030.41	3030.41	3030.41	3030.41	3030.41	3030.41	3030.41
G 5.0	2655.92	2645.07	2634.85	2640.39	2643.04	2663.29	2642.38
G 10.0	1878.99	1886.03	1873.16	1874.26	1860.32	1857.92	1849.60
G 15.0	1141.58	1139.08	1122.57	1121.35	1101.43	1099.60	1098.55
G 20.0	652.06	647.77	635.82	628.68	612.30	614.10	597.27
G 25.0	387.46	388.85	380.16	379.46	371.88	372.76	368.62
G 30.0	264.20	265.14	263.09	262.52	258.40	261.24	260.54
G 35.0	189.77	190.65	188.61	190.50	188.19	188.55	188.63
G 40.0	131.70	133.09	132.41	131.86	131.79	131.13	131.08
G 45.0	92.90	93.14	91.81	92.01	91.15	90.37	89.36
G 50.0	63.69	64.26	64.10	63.76	63.26	62.70	62.43
G 55.0	43.94	44.39	44.10	43.61	43.25	42.98	42.62
G 60.0	30.10	30.27	30.05	30.03	29.74	29.26	29.35
G 65.0	19.67	20.05	19.93	19.87	19.71	19.59	19.41
G 70.0	12.38	12.44	12.33	12.38	12.36	12.32	12.32
G 75.0	7.13	7.20	7.03	7.07	6.99	7.09	6.96
G 80.0	3.18	3.24	3.21	3.29	3.31	3.25	3.30
G 85.0	1.26	1.27	1.25	1.28	1.35	1.42	1.46
G 90.0	1.33	1.31	1.32	1.34	1.40	1.47	1.50

**Luminaire**

Code 05-9889-CA-CL  
 Name Applique AQUA led 5W 12V

**Measur.**

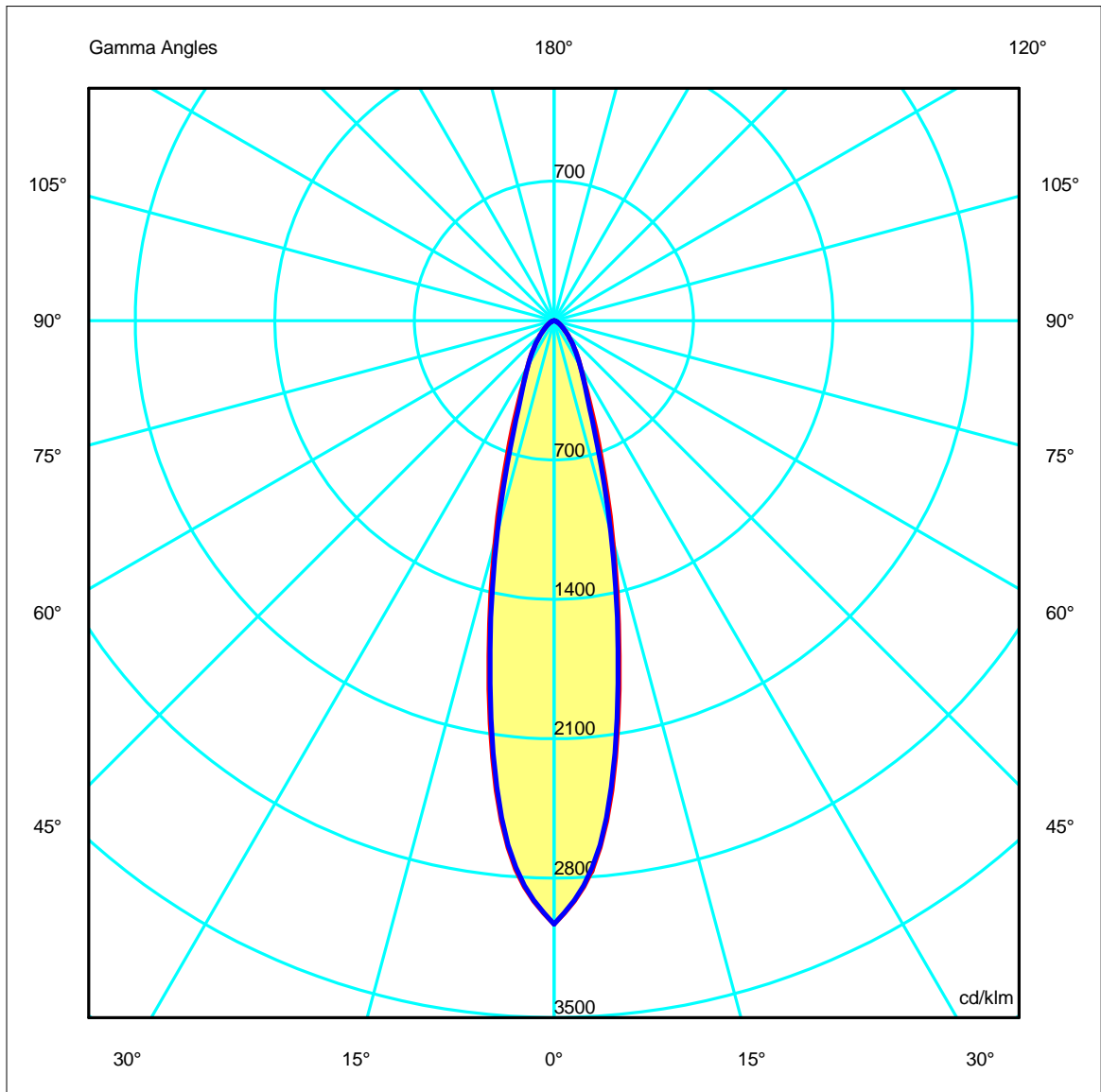
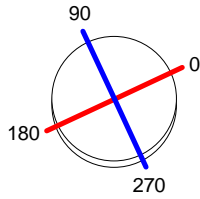
Code 05-9889-CA-CL  
 Name Applique AQUA led 5W 12V

Luminaire Flux	310.78 lm	Luminaire Power	5.00 W	Efficacy	62.16 lm/W	Efficiency	100.00%
Lamps Flux	310.78 lm	Maximum value	3030.41 cd/klm	Position	C=0.00 G=0.00	CG Double Symmetrical	

Diam=80mm

C Halfplanes

180.0 ———— 0.0  
 270.0 ———— 90.0



**Luminaire**

 Code 05-9889-CA-CL  
 Name Applique AQUA led 5W 12V

**Measur.**

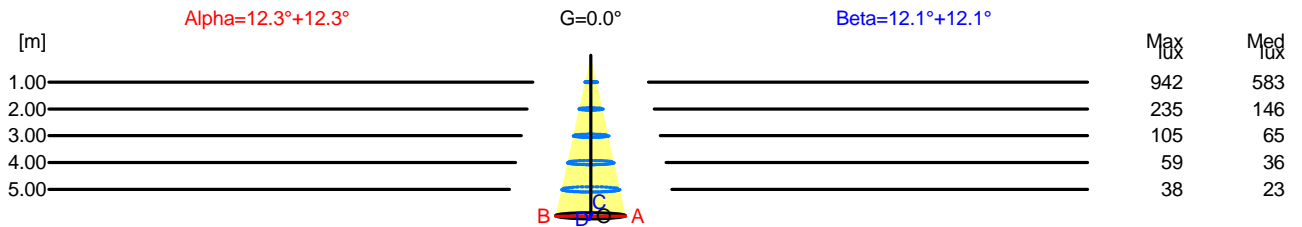
 Code 05-9889-CA-CL  
 Name Applique AQUA led 5W 12V

Luminaire Flux	310.78 lm	Luminaire Power	5.00 W	Efficacy	62.16 lm/W	Efficiency	100.00%
Lamps Flux	310.78 lm	Maximum value	3030.41 cd/klm	Position	C=0.00 G=0.00	CG	Double Symmetrical

Width at 50.00 % of Max Intensity

H[m]	1.00	2.00	3.00	4.00	5.00	H[m]	1.00	2.00	3.00	4.00	5.00
OA	0.22	0.44	0.65	0.87	1.09	OC	0.21	0.43	0.64	0.85	1.07
OB	0.22	0.44	0.65	0.87	1.09	OD	0.21	0.43	0.64	0.85	1.07

	Luminous Intensities [ cd/klm]									
	0	5	15	25	35	45	55	65	75	85
OA	941.79	825.41	354.78	120.41	58.98	28.87	13.65	6.11	2.21	0.39
OB	941.79	825.41	354.78	120.41	58.98	28.87	13.65	6.11	2.21	0.39
OC	941.79	821.20	341.41	114.56	58.62	27.77	13.25	6.03	2.16	0.45
OD	941.79	821.20	341.41	114.56	58.62	27.77	13.25	6.03	2.16	0.45



H[m]	D[m]	Max lux	Med lux	Alpha=12.3°+12.3°	G=0.0
1.00	0.44	942	583		
2.00	0.87	235	146		
3.00	1.31	105	65		
4.00	1.74	59	36		
5.00	2.18	38	23		

H[m]	D[m]	Max lux	Med lux	Beta=12.1°+12.1°	G=0.0
1.00	0.43	942	583		
2.00	0.85	235	146		
3.00	1.28	105	65		
4.00	1.71	59	36		
5.00	2.14	38	23		

**Luminaire**

Code 05-9889-CA-CL  
Name Aplique AQUA led 5W 12V

**Measurement**

Code 05-9889-CA-CL  
Name Aplique AQUA led 5W 12V

Luminaire Flux	310.78 lm	Luminaire Power	5.00 W	Efficacy	62.16 lm/W	Efficiency	100.00%
Lamps Flux	310.78 lm	Maximum value	3030.41 cd/klm	Position	C=0.00 G=0.00	CG	Double Symmetrical

**UGR**  
S = 0.250

Reflectancies										
Ceiling/Cavity	0.7	0.7	0.5	0.5	0.3	0.7	0.7	0.5	0.5	0.3
Walls	0.5	0.3	0.5	0.3	0.3	0.5	0.3	0.5	0.3	0.3
WorkingPlane	0.2	0.2	0.2	0.2	0.2	0.2	0.2	0.2	0.2	0.2
RoomDimensions	ViewedCrosswise					ViewedEndwise				
x=2H y=2H	17.7	18.5	18.0	18.7	18.8	17.6	18.4	17.8	18.6	18.8
x=2H y=3H	18.1	18.8	18.4	19.0	19.2	18.0	18.7	18.3	18.9	19.2
x=2H y=4H	18.2	18.8	18.5	19.1	19.3	18.1	18.7	18.4	19.0	19.3
x=2H y=6H	18.2	18.8	18.5	19.1	19.3	18.1	18.7	18.4	19.0	19.3
x=2H y=8H	18.2	18.8	18.5	19.1	19.3	18.1	18.7	18.4	19.0	19.3
x=2H y=12H	18.2	18.7	18.5	19.0	19.2	18.1	18.6	18.4	18.9	19.2
x=4H y=2H	17.9	18.6	18.2	18.8	19.0	17.8	18.5	18.1	18.7	19.0
x=4H y=3H	18.4	18.9	18.7	19.2	19.5	18.3	18.9	18.6	19.1	19.5
x=4H y=4H	18.6	19.0	18.9	19.4	19.6	18.5	18.9	18.8	19.3	19.6
x=4H y=6H	18.6	19.0	19.0	19.4	19.7	18.5	18.9	18.9	19.3	19.7
x=4H y=8H	18.6	19.0	19.0	19.4	19.7	18.5	18.9	18.9	19.3	19.7
x=4H y=12H	18.6	18.9	19.0	19.3	19.7	18.5	18.8	18.9	19.2	19.7
x=8H y=4H	18.6	18.9	19.0	19.3	19.6	18.5	18.8	18.9	19.2	19.6
x=8H y=6H	18.7	18.9	19.1	19.4	19.7	18.6	18.9	19.0	19.3	19.7
x=8H y=8H	18.7	18.9	19.1	19.4	19.7	18.6	18.8	19.1	19.3	19.7
x=8H y=12H	18.7	18.9	19.1	19.3	19.8	18.6	18.8	19.1	19.3	19.8
x=12H y=4H	18.5	18.9	19.0	19.3	19.6	18.4	18.8	18.9	19.2	19.6
x=12H y=6H	18.6	18.9	19.1	19.3	19.7	18.6	18.8	19.0	19.2	19.7
x=12H y=8H	18.6	18.8	19.1	19.3	19.7	18.6	18.8	19.0	19.2	19.7

**Luminaire**

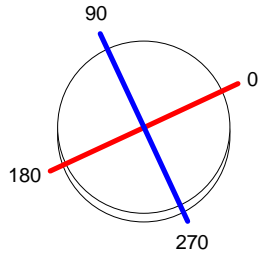
Code 05-9889-CA-CL  
 Name Applique AQUA led 5W 12V

**Measurem.**

Code 05-9889-CA-CL  
 Name Applique AQUA led 5W 12V

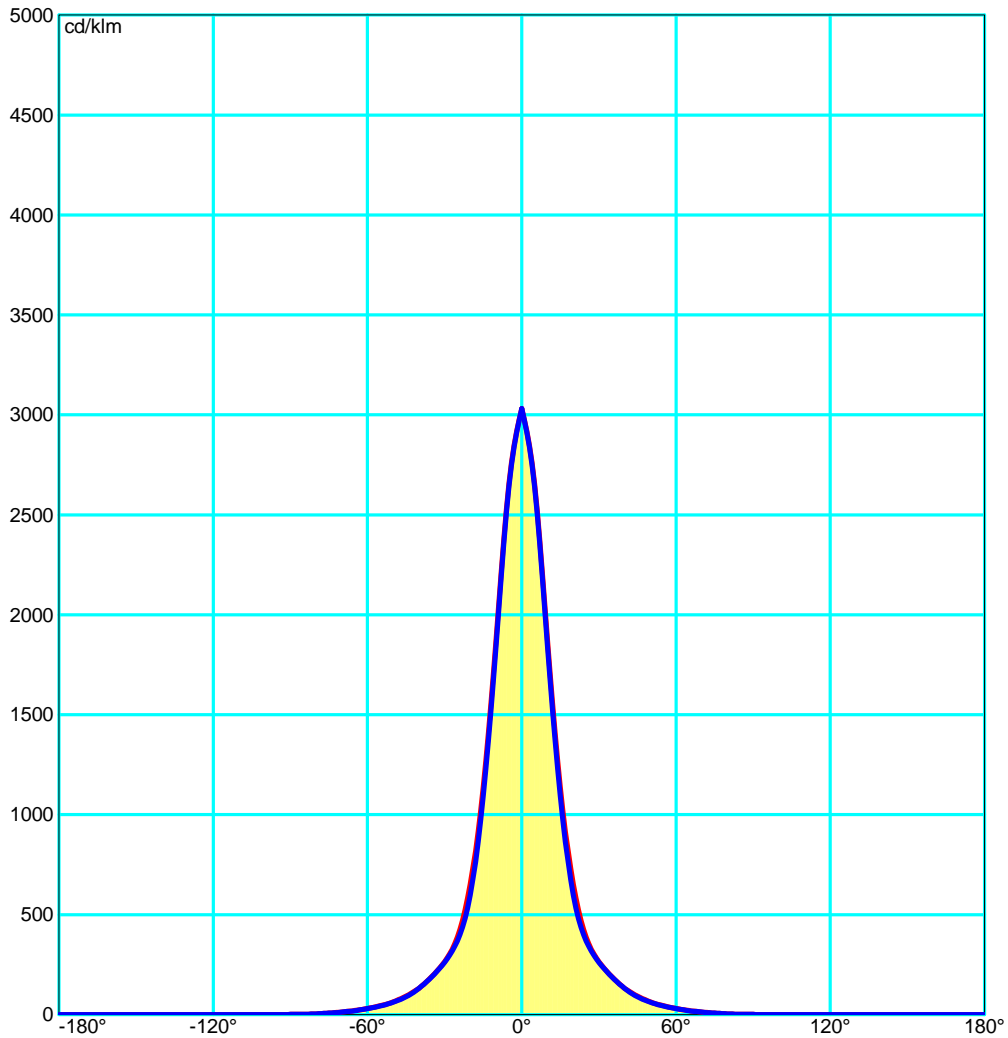
Luminaire Flux	310.78 lm	Luminaire Power	5.00 W	Efficacy	62.16 lm/W	Efficiency	100.00%
Lamps Flux	310.78 lm	Maximum value	3030.41 cd/klm	Position	C=0.00 G=0.00	CG	Double Symmetrical

Diam=80mm



C Halfplanes

180.0 ———— 0.0  
 270.0 ———— 90.0



**Luminaire**

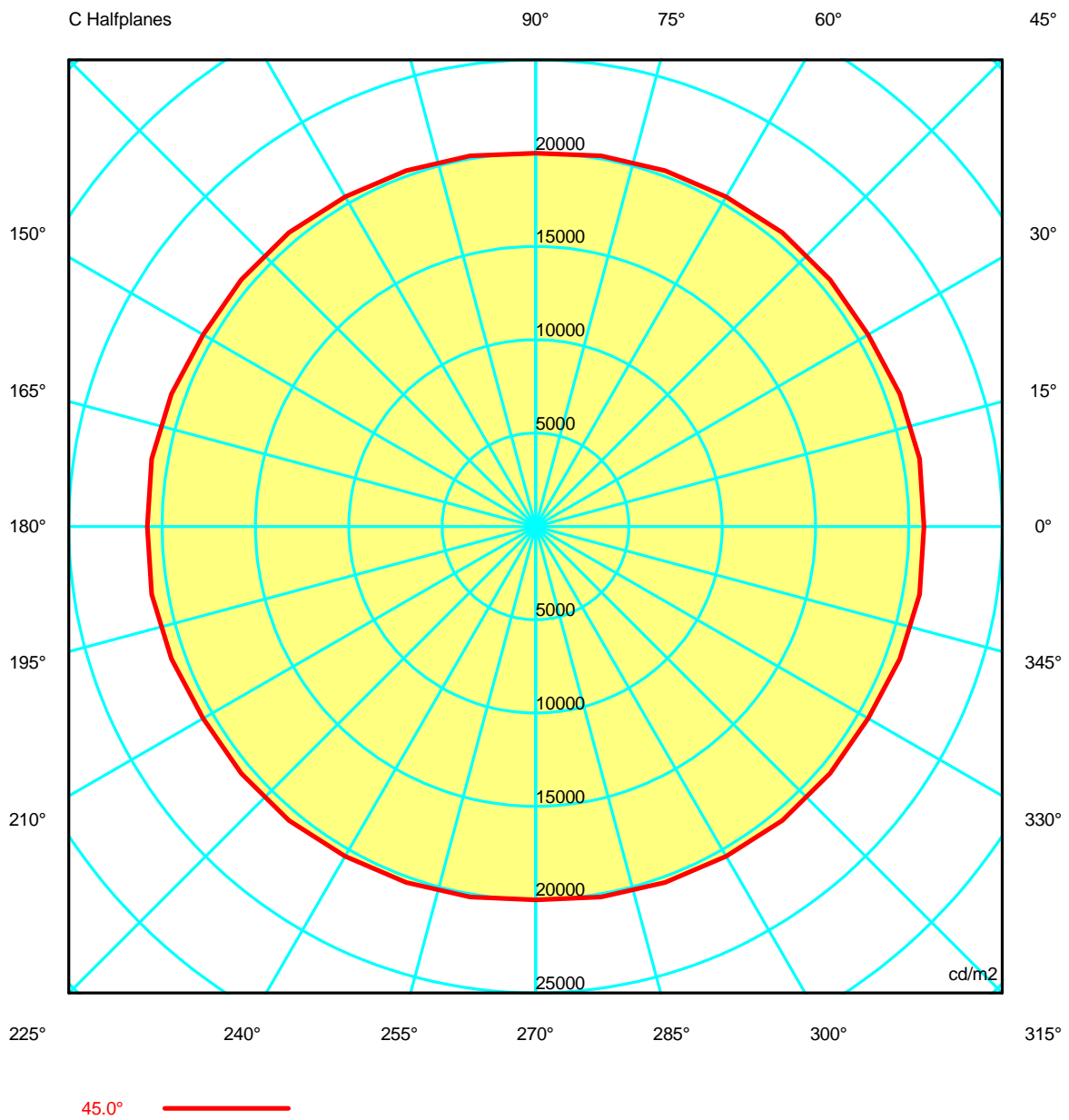
Code 05-9889-CA-CL  
 Name Applique AQUA led 5W 12V

**Measur.**

Code 05-9889-CA-CL  
 Name Applique AQUA led 5W 12V

Luminaire Flux	310.78 lm	Luminaire Power	5.00 W	Efficacy	62.16 lm/W	Efficiency	100.00%
Lamps Flux	310.78 lm	Maximum value	3030.41 cd/klm	Position	C=0.00 G=0.00	CG	Double Symmetrical

Luminance





**Luminaire**

Code 05-9889-CA-CL  
Name Aplique AQUA led 5W 12V

**Measurerm.**

Code 05-9889-CA-CL  
Name Aplique AQUA led 5W 12V

Luminaire Flux	310.78 lm	Luminaire Power	5.00 W	Efficacy	62.16 lm/W	Efficiency	100.00%
Lamps Flux	310.78 lm	Maximum value	3030.41 cd/klm	Position	C=0.00 G=0.00	CG	Double Symmetrical

**Luminance cd/m2 Table 1/3**

	C 0.00	C 10.00	C 20.00	C 30.00	C 40.00	C 50.00	C 60.00	C 70.00	C 80.00	C 90.00	C 100.00	C 110.00	C 120.00
G 0.0	479771.05	479771.05	479771.05	479771.05	479771.05	479771.05	479771.05	479771.05	479771.05	479771.05	479771.05	479771.05	479771.05
G 5.0	422088.18	421007.16	419642.88	418740.31	419324.60	419760.81	420041.69	422515.99	422883.89	419937.44	422883.89	422515.99	420041.69
G 10.0	302068.53	303222.19	302582.76	301131.66	301327.64	300714.78	299067.33	298725.58	298402.93	297343.70	298402.93	298725.58	299067.33
G 15.0	187108.70	186835.47	185769.35	183993.78	183859.95	182865.27	180528.24	180328.33	180171.34	180057.25	180171.34	180328.33	180528.24
G 20.0	109859.25	109545.44	108477.50	107121.99	106473.86	104939.15	103160.51	103398.46	102923.95	100627.76	102923.95	103398.46	103160.51
G 25.0	67683.69	68068.71	67449.89	66408.79	66362.63	65891.17	64962.02	65020.24	65013.52	64392.66	65013.52	65020.24	64962.02
G 30.0	48298.06	48482.03	48356.83	48096.41	48089.67	47722.59	47238.55	47548.41	47817.85	47629.54	47817.85	47548.41	47238.55
G 35.0	36676.87	36874.30	36700.81	36452.29	36725.49	36728.62	36372.73	36418.78	36446.76	36456.69	36446.76	36418.78	36372.73
G 40.0	27218.15	27451.96	27493.22	27366.08	27270.68	27247.21	27237.67	27144.89	27097.33	27090.07	27097.33	27144.89	27237.67
G 45.0	20800.75	20880.97	20757.67	20556.65	20582.23	20564.19	20408.44	20289.56	20166.13	20006.44	20166.13	20289.56	20408.44
G 50.0	15687.97	15796.72	15829.38	15787.90	15734.98	15668.27	15580.65	15483.84	15414.02	15376.38	15414.02	15483.84	15580.65
G 55.0	12127.41	12228.92	12245.53	12173.58	12080.86	11998.96	11937.37	11889.49	11833.81	11764.49	11833.81	11889.49	11937.37
G 60.0	9529.24	9579.37	9565.75	9515.18	9509.22	9492.25	9417.12	9303.00	9254.96	9293.36	9254.96	9303.00	9417.12
G 65.0	7368.03	7484.17	7509.58	7465.46	7449.57	7425.84	7382.25	7352.49	7319.16	7273.12	7319.16	7352.49	7382.25
G 70.0	5731.30	5757.59	5740.43	5705.24	5720.73	5732.14	5722.41	5707.07	5700.70	5704.71	5700.70	5707.07	5722.41
G 75.0	4359.57	4409.41	4371.50	4297.25	4313.65	4307.39	4273.27	4318.67	4327.77	4254.36	4327.77	4318.67	4273.27
G 80.0	2896.45	2945.30	2944.67	2926.19	2968.12	3016.28	3019.09	2979.35	2967.76	3004.29	2967.76	2979.35	3019.09
G 85.0	2285.25	2303.05	2290.88	2269.40	2294.33	2361.24	2449.09	2536.03	2601.91	2647.12	2601.91	2536.03	2449.09
G 90.0	0.00	0.00	0.00	0.00	0.00	0.00	0.00	0.00	0.00	0.00	0.00	0.00	0.00

**Luminaire**

Code 05-9889-CA-CL  
 Name Aplique AQUA led 5W 12V

**Measuram.**

Code 05-9889-CA-CL  
 Name Aplique AQUA led 5W 12V

Luminaire Flux	310.78 lm	Luminaire Power	5.00 W	Efficacy	62.16 lm/W	Efficiency	100.00%
Lamps Flux	310.78 lm	Maximum value	3030.41 cd/klm	Position	C=0.00 G=0.00	CG	Double Symmetrical

**Luminance cd/m2 Table 2/3**

	C 130.00	C 140.00	C 150.00	C 160.00	C 170.00	C 180.00	C 190.00	C 200.00	C 210.00	C 220.00	C 230.00	C 240.00	C 250.00
G 0.0	479771.05	479771.05	479771.05	479771.05	479771.05	479771.05	479771.05	479771.05	479771.05	479771.05	479771.05	479771.05	479771.05
G 5.0	419760.81	419324.60	418740.31	419642.88	421007.16	422088.18	421007.16	419642.88	418740.31	419324.60	419760.81	420041.69	422515.99
G 10.0	300714.78	301327.64	301131.66	302582.76	303222.19	302068.53	303222.19	302582.76	301131.66	301327.64	300714.78	299067.33	298725.58
G 15.0	182865.27	183859.95	183993.78	185769.35	186835.47	187108.70	186835.47	185769.35	183993.78	183859.95	182865.27	180528.24	180328.33
G 20.0	104939.15	106473.86	107121.99	108477.50	109545.44	109859.25	109545.44	108477.50	107121.99	106473.86	104939.15	103160.51	103398.46
G 25.0	65891.17	66362.63	66408.79	67449.89	68068.71	67683.69	68068.71	67449.89	66408.79	66362.63	65891.17	64962.02	65020.24
G 30.0	47722.59	48089.67	48096.41	48356.83	48482.03	48298.06	48482.03	48356.83	48096.41	48089.67	47722.59	47238.55	47548.41
G 35.0	36728.62	36725.49	36452.29	36700.81	36874.30	36676.87	36874.30	36700.81	36452.29	36725.49	36728.62	36372.73	36418.78
G 40.0	27247.21	27270.68	27366.08	27493.22	27451.96	27218.15	27451.96	27493.22	27366.08	27270.68	27247.21	27237.67	27144.89
G 45.0	20564.19	20582.23	20556.65	20757.67	20880.97	20800.75	20880.97	20757.67	20556.65	20582.23	20564.19	20408.44	20289.56
G 50.0	15668.27	15734.98	15787.90	15829.38	15796.72	15687.97	15796.72	15829.38	15787.90	15734.98	15668.27	15580.65	15483.84
G 55.0	11998.96	12080.86	12173.58	12245.53	12228.92	12127.41	12228.92	12245.53	12173.58	12080.86	11998.96	11937.37	11889.49
G 60.0	9492.25	9509.22	9515.18	9565.75	9579.37	9529.24	9579.37	9565.75	9515.18	9509.22	9492.25	9417.12	9303.00
G 65.0	7425.84	7449.57	7465.46	7509.58	7484.17	7368.03	7484.17	7509.58	7465.46	7449.57	7425.84	7382.25	7352.49
G 70.0	5732.14	5720.73	5705.24	5740.43	5757.59	5731.30	5757.59	5740.43	5705.24	5720.73	5732.14	5722.41	5707.07
G 75.0	4307.39	4313.65	4297.25	4371.50	4409.41	4359.57	4409.41	4371.50	4297.25	4313.65	4307.39	4273.27	4318.67
G 80.0	3016.28	2968.12	2926.19	2944.67	2945.30	2896.45	2945.30	2944.67	2926.19	2968.12	3016.28	3019.09	2979.35
G 85.0	2361.24	2294.33	2269.40	2290.88	2303.05	2285.25	2303.05	2290.88	2269.40	2294.33	2361.24	2449.09	2536.03
G 90.0	0.00	0.00	0.00	0.00	0.00	0.00	0.00	0.00	0.00	0.00	0.00	0.00	0.00

**Luminaire**

Code 05-9889-CA-CL  
Name Aplique AQUA led 5W 12V

**Measur.**

Code 05-9889-CA-CL  
Name Aplique AQUA led 5W 12V

Luminaire Flux	310.78 lm	Luminaire Power	5.00 W	Efficacy	62.16 lm/W	Efficiency	100.00%
Lamps Flux	310.78 lm	Maximum value	3030.41 cd/klm	Position	C=0.00 G=0.00	CG	Double Symmetrical

**Luminance cd/m2 Table 3/3**

	C 260.00	C 270.00	C 280.00	C 290.00	C 300.00	C 310.00	C 320.00	C 330.00	C 340.00	C 350.00
G 0.0	479771.05	479771.05	479771.05	479771.05	479771.05	479771.05	479771.05	479771.05	479771.05	479771.05
G 5.0	422883.89	419937.44	422883.89	422515.99	420041.69	419760.81	419324.60	418740.31	419642.88	421007.16
G 10.0	298402.93	297343.70	298402.93	298725.58	299067.33	300714.78	301327.64	301131.66	302582.76	303222.19
G 15.0	180171.34	180057.25	180171.34	180328.33	180528.24	182865.27	183859.95	183993.78	185769.35	186835.47
G 20.0	102923.95	100627.76	102923.95	103398.46	103160.51	104939.15	106473.86	107121.99	108477.50	109545.44
G 25.0	65013.52	64392.66	65013.52	65020.24	64962.02	65891.17	66362.63	66408.79	67449.89	68068.71
G 30.0	47817.85	47629.54	47817.85	47548.41	47238.55	47722.59	48089.67	48096.41	48356.83	48482.03
G 35.0	36446.76	36456.69	36446.76	36418.78	36372.73	36728.62	36725.49	36452.29	36700.81	36874.30
G 40.0	27097.33	27090.07	27097.33	27144.89	27237.67	27247.21	27270.68	27366.08	27493.22	27451.96
G 45.0	20166.13	20006.44	20166.13	20289.56	20408.44	20564.19	20582.23	20556.65	20757.67	20880.97
G 50.0	15414.02	15376.38	15414.02	15483.84	15580.65	15668.27	15734.98	15787.90	15829.38	15796.72
G 55.0	11833.81	11764.49	11833.81	11889.49	11937.37	11998.96	12080.86	12173.58	12245.53	12228.92
G 60.0	9254.96	9293.36	9254.96	9303.00	9417.12	9492.25	9509.22	9515.18	9565.75	9579.37
G 65.0	7319.16	7273.12	7319.16	7352.49	7382.25	7425.84	7449.57	7465.46	7509.58	7484.17
G 70.0	5700.70	5704.71	5700.70	5707.07	5722.41	5732.14	5720.73	5705.24	5740.43	5757.59
G 75.0	4327.77	4254.36	4327.77	4318.67	4273.27	4307.39	4313.65	4297.25	4371.50	4409.41
G 80.0	2967.76	3004.29	2967.76	2979.35	3019.09	3016.28	2968.12	2926.19	2944.67	2945.30
G 85.0	2601.91	2647.12	2601.91	2536.03	2449.09	2361.24	2294.33	2269.40	2290.88	2303.05
G 90.0	0.00	0.00	0.00	0.00	0.00	0.00	0.00	0.00	0.00	0.00

**Luminaire**

Code 05-9889-CA-CL  
 Name Applique AQUA led 5W 12V

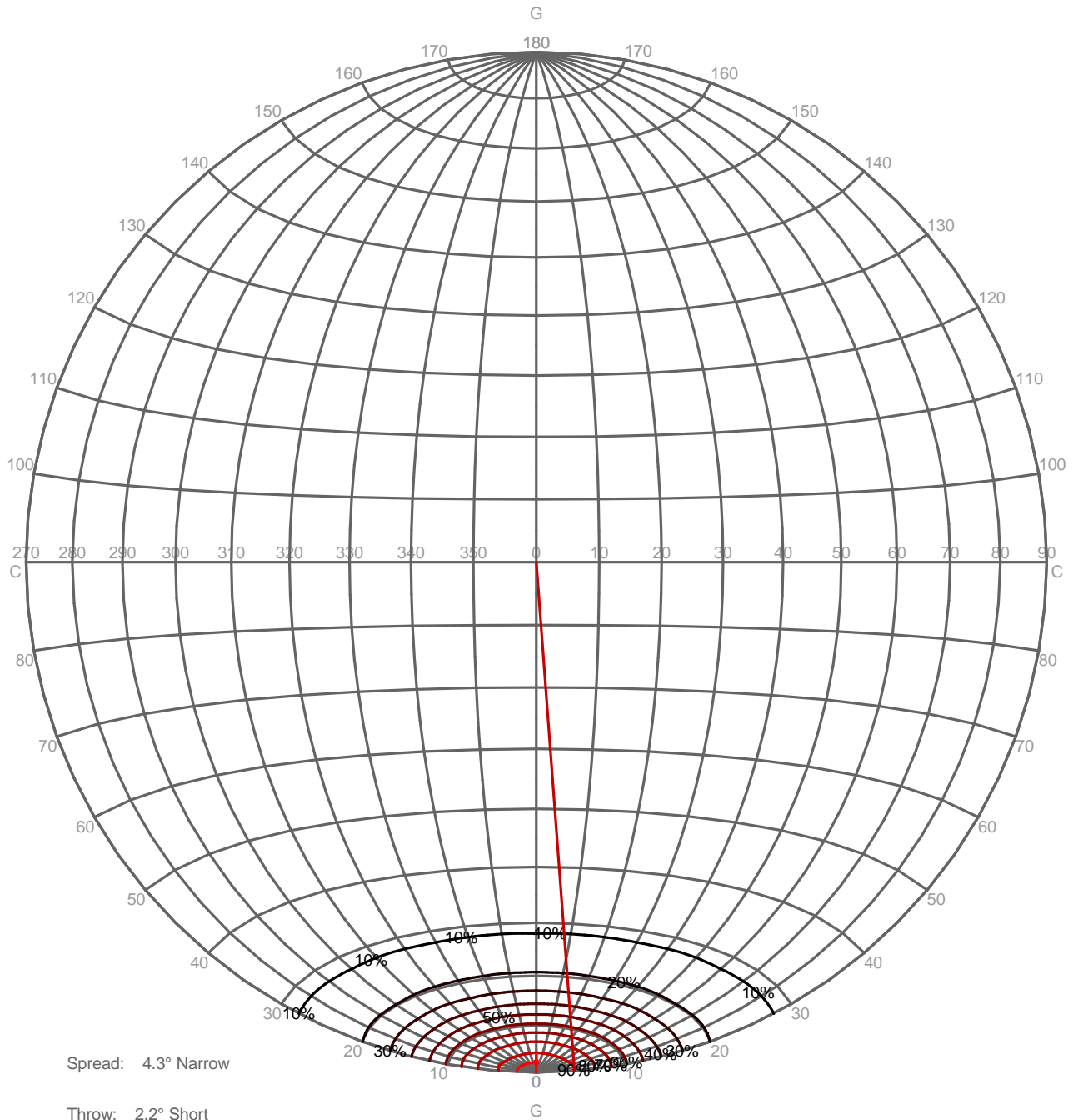
**Measurment.**

Code 05-9889-CA-CL  
 Name Applique AQUA led 5W 12V

Luminaire Flux	310.78 lm	Luminaire Power	5.00 W	Efficacy	62.16 lm/W	Efficiency	100.00%
Lamps Flux	310.78 lm	Maximum value	3030.41 cd/klm	Position	C=0.00 G=0.00	CG	Double Symmetrical

**PERCENTAGE ISOCANDLES**

Projection: Equal Area SLI 10.4 Tight Tilting Angle:0°



**Luminaire**

Code 05-9889-CA-CL  
 Name Applique AQUA led 5W 12V

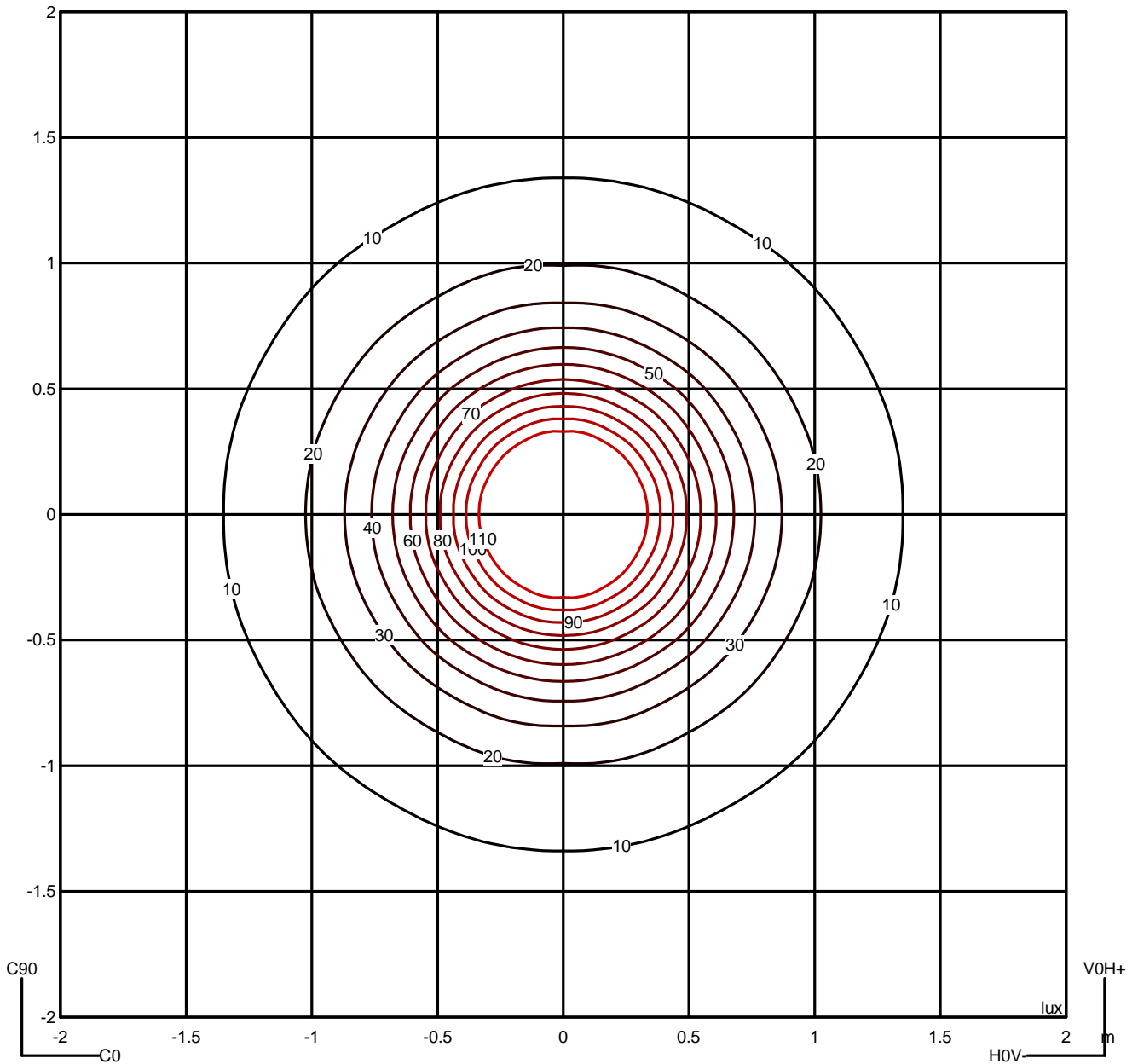
**Measur.**

Code 05-9889-CA-CL  
 Name Applique AQUA led 5W 12V

Luminaire Flux	310.78 lm	Luminaire Power	5.00 W	Efficacy	62.16 lm/W	Efficiency	100.00%
Lamps Flux	310.78 lm	Maximum value	3030.41 cd/klm	Position	C=0.00 G=0.00	CG	Double Symmetrical

Isolux (Floor)

Luminaire position X=0.00m Y=0.00m Z=2.50m



**Luminaire**

Code 05-9889-CA-CL  
 Name Aplique AQUA led 5W 12V

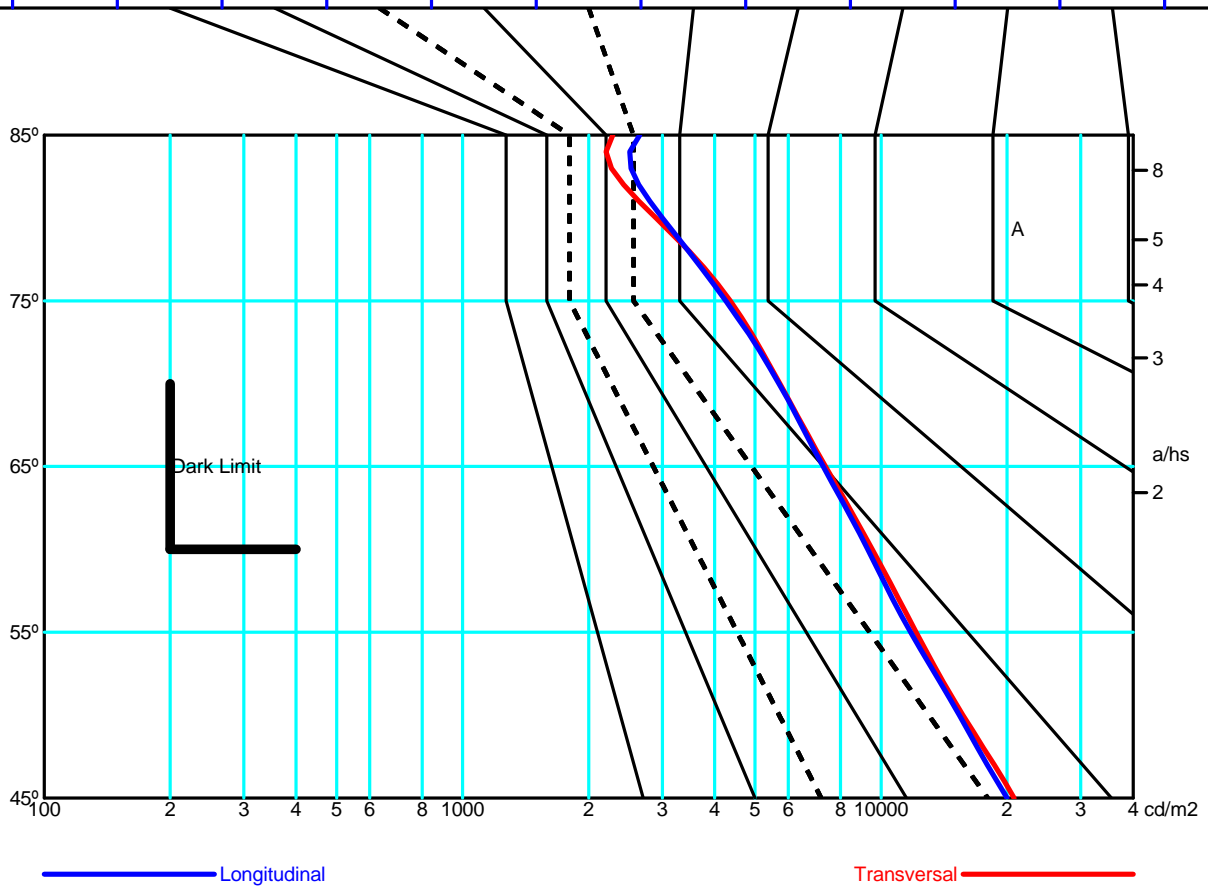
**Measur.**

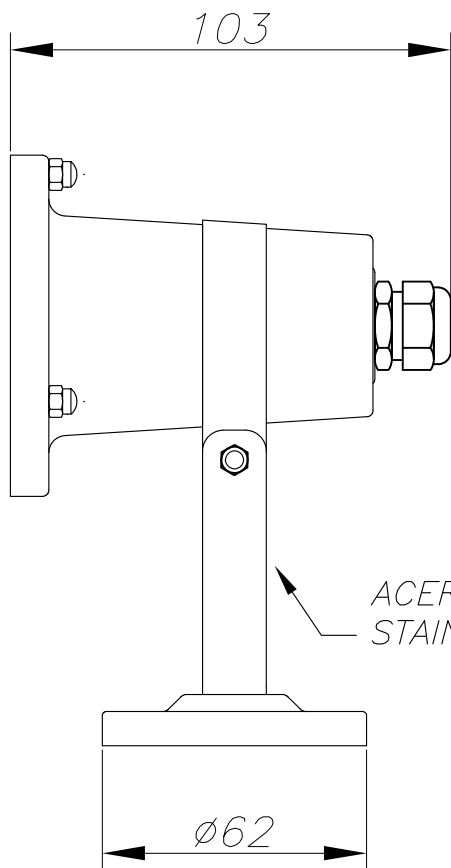
Code 05-9889-CA-CL  
 Name Aplique AQUA led 5W 12V

Luminaire Flux	310.78 lm	Luminaire Power	5.00 W	Efficacy	62.16 lm/W	Efficiency	100.00%
Lamps Flux	310.78 lm	Maximum value	3030.41 cd/klm	Position	C=0.00 G=0.00	CG	Double Symmetrical

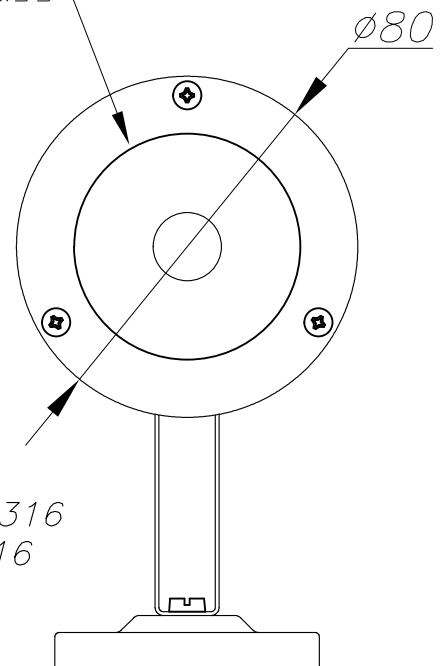
Average Luminance [cd/m <sup>2</sup> ]										
	45°	50°	55°	60°	65°	70°	75°	80°	85°	
0.0°	20801	15688	12127	9529	7368	5731	4360	2896	2285	---
90.0°	20006	15376	11764	9293	7273	5705	4254	3004	2647	---

Flush mounted or longitudinal view												
		Illumination(lx)										
A	A	2000	1000	750	500		<300					1.15
B	1		2000	1500	1000	750	500	<300				1.5
C					2000		1000	500	<300			1.85
D	2						2000	1000	500	<300		2.2
E	3							2000	1000	500	<300	2.55

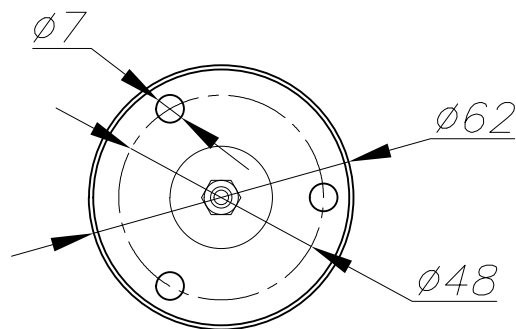




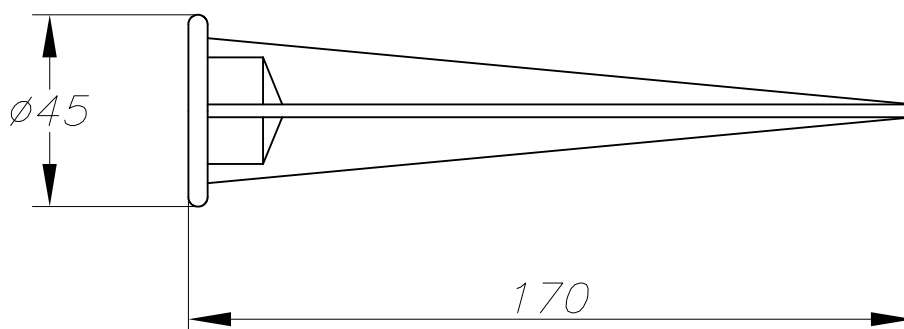
Cristal templado  
Hardened glass



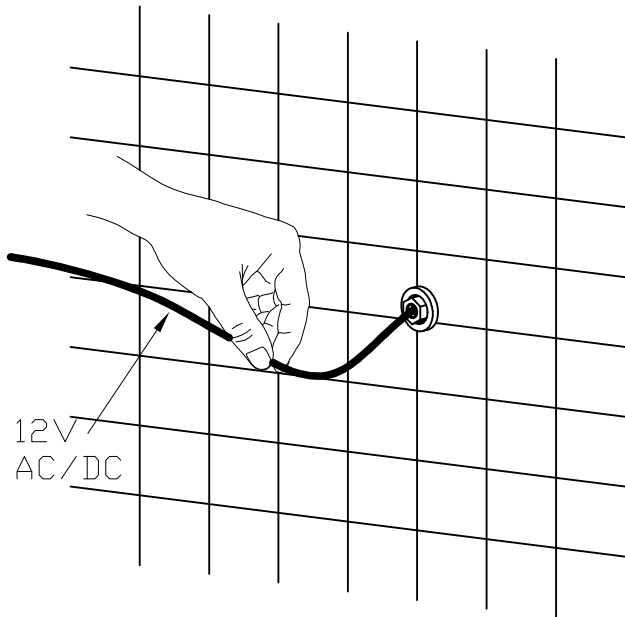
ACERO INOXIDABLE AISI-316  
STAINLESS STEEL AISI-316



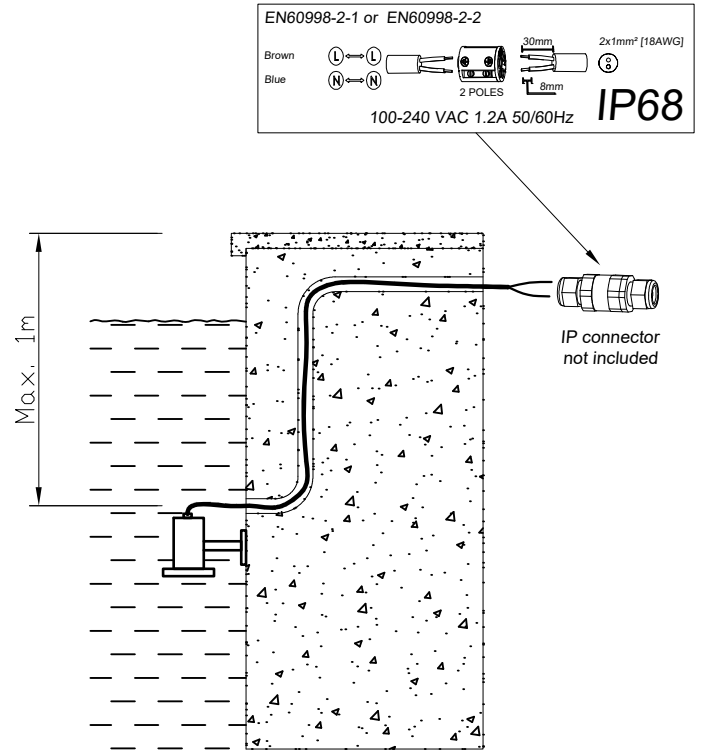
PLANTILLA DE INSTALACIÓN  
INSTALLATION TEMPLATE



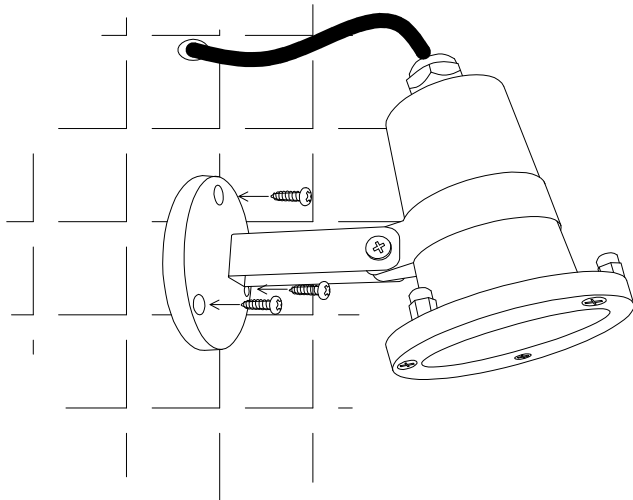
①



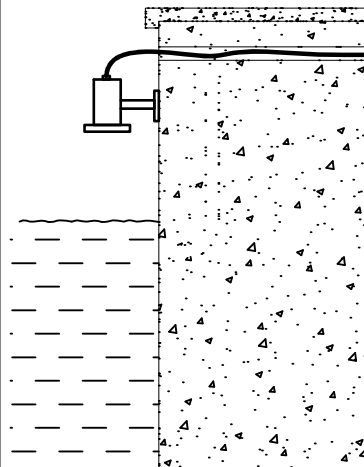
②



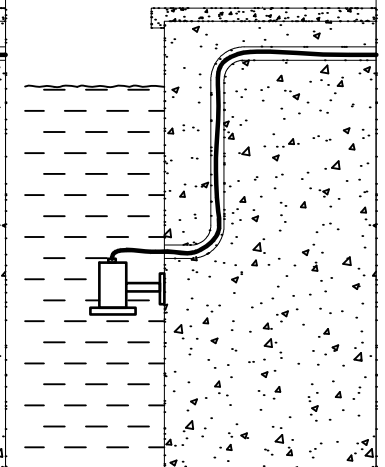
③



✓ OK



✓ OK



- Para funcionar únicamente con transformador de seguridad
- Only works with security transformer
- Utiliser uniquement avec un transformateur de sécurité
- Nur mit Sicherheits Trafo benutzen
- Funzionamento solo con trasformatore di sicurezza
- Para funcionar apenas com transformador de segurança
- Обязательно использовать с трансформатором безопасности