

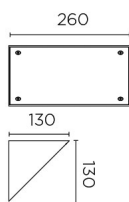
## Curie Glass 260mm Wall fixture

Designer: LEDS C4 Team

**Description**

Wall fixture IP65 Curie Glass 260mm E27 60W White

	Finish	Material
<b>Structure</b>	White	Aluminium
<b>Diffuser</b>	Opal	Glass

**TECHNICAL CHARACTERISTICS****Light source**

Lampholder: 1 x E27  
 Light source power (W): MAX 60W  
 Luminaire total power (W): 60W  
 Lamp maximum dimension: 150/50 mm  
 Quantity: 1  
 Recommended lamp: E27

**GEAR**

Voltage / Frequency:  
 100-240V/50-60Hz

**Luminaire**

Double cable exit: No  
 Drainage: No  
 Seaside: No  
 Uv Protection: Yes  
 Warranty: 5 Years

**Logistics**

Energy Efficiency: NO BULB  
 EAN Code: 8435381439873  
 Net Weight (Kg): 1.39  
 Weight in Kg (packaged): 1.66  
 Packing: 270 x 135 x 150  
 Masterbox: 4

The photograph may not match the reference exactly. Please read the product description to identify the finish.

## OPTIONAL ACCESSORIES

---



### **71-9884-00-CL**

Structure material:  
Dimensions: NA x NA x NA  
Net Weight (Kg): 0.23



### **71-9884-00-CM**

Structure material:  
Dimensions: NA x NA x NA  
Net Weight (Kg): 0.23

**Luminaire**

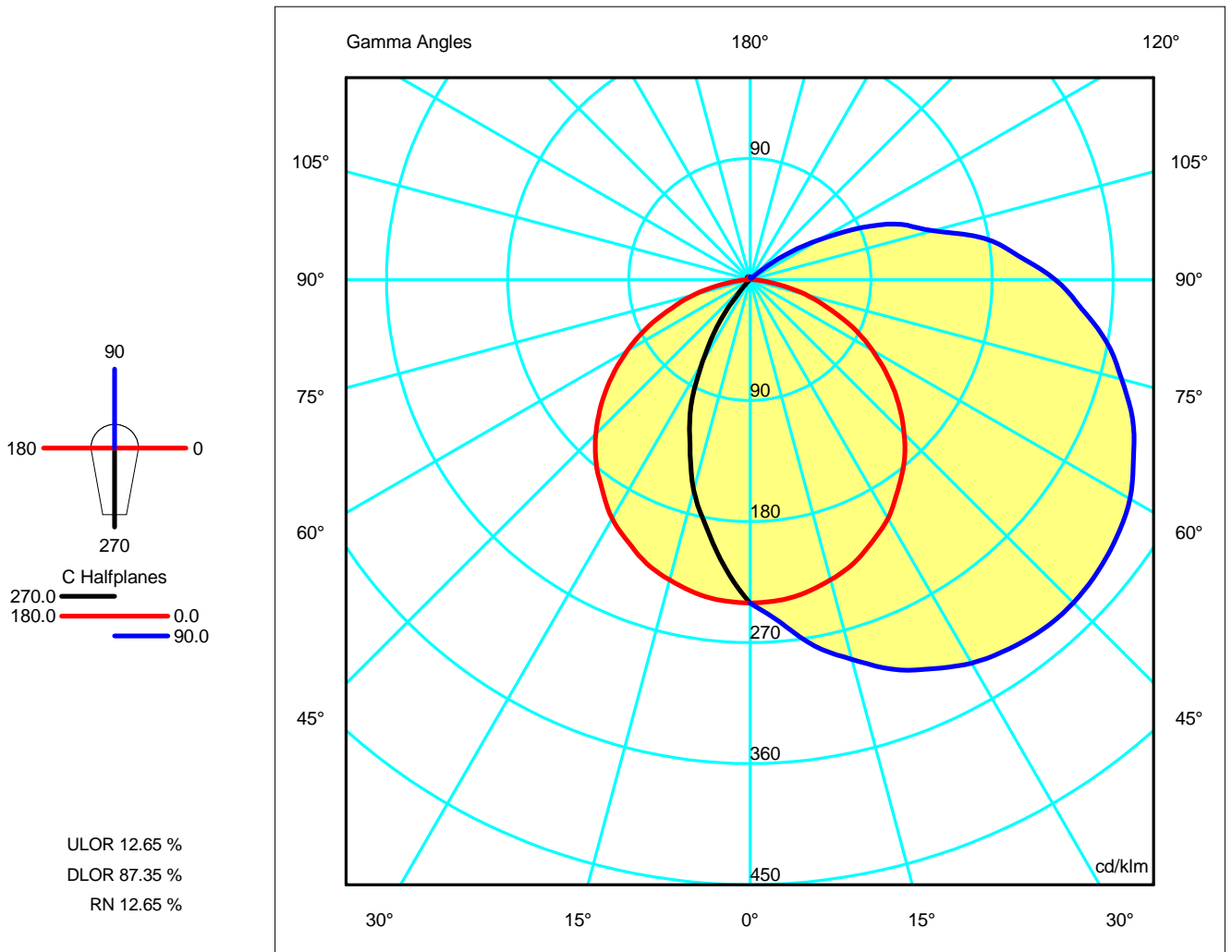
Code 05-9884-Z5-ZM  
 Name Aplique CURIE leds 14W

**Measur.**

Code CL116A17F122G  
 Name Aplique CURIE leds 14W

Luminaire Flux	412.12 lm	Luminaire Power	14.50 W	Efficacy	28.42 lm/W	Efficiency	100.00%
Lamps Flux	412.12 lm	Maximum value	339.90 cd/klm	Position	C=90.00 G=45.00	CG Sym. on planes 270-90	
Rectangular Luminaire		Length	130 mm	Width	260 mm	Height	130 mm
Rectangular Luminous Area		Length	115 mm	Width	255 mm	Height	115 mm
Horizontal Luminous Area		0.029325 m2		Emitting area on Plane 180°	0.013225 m2		
Emitting area on Plane 0°		0.013225 m2		Emitting area on Plane 270°	0.029325 m2		
Emitting area on Plane 90°		0.029325 m2		Glare area at 76°	0.019927 m2		
Coordinate system		CG Roads			Symmetry Type	Sym. on planes 270-90	
Date		21-03-2017			Maximum Gamma Angle	180	
Measurement Distance		0.00			Measurement Flux	473.94 lm	
Operator		Asselum T2			Source Voltage [V]		
Temperature		25.00 °C			Source current [A]		
Humidity		60.00 %			Photocell		
Notes							

Line	Code	Luminaire Lamps		Flux [lm]	Pow. [W]	Q.ty
		Name				
	05-9884-Z5-ZM	05-9884-Z5-ZM		412.12	14.50	1
C.I.E.	37 64 85 87 100	D DIN 5040		B21		



**Luminaire**

Code 05-9884-Z5-ZM  
Name Aplique CURIE leds 14W

**Measurerm.**

Code CL116A17F122G  
Name Aplique CURIE leds 14W

Luminaire Flux	412.12 lm	Luminaire Power	14.50 W	Efficacy	28.42 lm/W	Efficiency	100.00%
Lamps Flux	412.12 lm	Maximum value	339.90 cd/klm	Position	C=90.00 G=45.00	CG Sym. on planes	270-90

**Luminous Intensity Table cd/klm Table 1/1**

	C 270.00	C 285.00	C 300.00	C 315.00	C 330.00	C 345.00	C 0.00	C 15.00	C 30.00	C 45.00	C 60.00	C 75.00	C 90.00
G 0.0	240.45	240.45	240.45	240.45	240.45	240.45	240.45	240.45	240.45	240.45	240.45	240.45	240.45
G 5.0	214.77	223.78	217.08	228.43	227.23	235.90	239.54	246.36	248.73	258.85	254.69	265.11	255.69
G 10.0	186.92	200.33	192.95	209.66	211.64	227.70	236.47	248.29	257.18	269.64	271.10	281.57	276.61
G 15.0	161.76	174.57	170.54	190.77	196.78	217.58	231.16	248.33	263.17	279.37	285.30	297.02	292.26
G 20.0	130.60	147.08	143.54	168.92	177.04	205.27	224.64	246.30	267.10	286.75	296.98	310.07	308.28
G 25.0	103.76	118.20	118.16	145.37	159.49	191.40	214.93	242.30	268.57	291.54	306.25	320.16	319.34
G 30.0	70.50	88.16	89.48	120.33	137.14	177.34	205.03	235.89	267.97	294.05	312.77	327.65	329.24
G 35.0	42.78	58.31	60.86	94.87	115.55	158.55	191.36	227.71	265.30	294.08	316.65	332.29	335.22
G 40.0	14.69	31.24	33.49	70.44	92.25	141.40	177.99	217.48	259.68	291.56	317.84	334.20	339.14
G 45.0	1.79	7.97	11.03	42.48	67.75	119.42	162.01	205.18	253.13	287.06	316.70	333.14	339.90
G 50.0	1.17	1.07	1.27	21.61	43.95	100.03	144.30	191.13	243.41	278.96	312.21	329.31	337.41
G 55.0	1.28	1.17	1.26	3.76	22.82	77.98	125.06	177.00	231.93	269.97	306.15	323.63	332.96
G 60.0	1.28	1.28	1.33	1.28	7.53	55.79	104.95	158.04	218.33	256.63	297.04	313.75	326.05
G 65.0	1.39	1.35	1.42	1.37	1.39	34.16	84.25	140.62	202.75	243.77	285.05	302.49	314.54
G 70.0	1.49	1.44	1.49	1.44	1.44	15.85	61.83	118.53	185.86	227.71	270.93	288.15	302.54
G 75.0	1.60	1.55	1.60	1.49	1.48	3.69	42.38	98.71	166.31	208.82	254.39	271.24	285.88
G 80.0	1.71	1.69	1.71	1.60	1.55	1.49	21.29	76.52	147.43	188.40	236.33	252.05	269.32
G 85.0	1.92	1.76	1.81	1.71	1.65	1.49	7.67	54.11	122.95	166.52	215.13	230.92	247.38
G 90.0	1.99	1.87	1.92	1.76	1.76	1.55	1.32	32.76	101.32	143.12	193.41	207.73	226.98
G 95.0	2.03	1.99	2.03	1.87	1.81	1.60	1.23	14.53	75.13	117.44	167.51	182.56	200.29
G100.0	2.17	2.13	2.13	1.97	1.87	1.66	1.28	3.10	53.11	93.83	143.83	155.58	176.64
G105.0	2.24	2.19	2.20	2.08	1.96	1.76	1.33	1.48	30.39	64.48	116.92	128.05	140.34
G110.0	2.35	2.29	2.29	2.19	2.03	1.86	1.39	1.55	11.91	41.25	88.28	100.64	119.85
G115.0	2.35	2.35	2.35	2.19	2.10	1.88	1.49	1.55	1.80	18.61	59.65	69.34	91.21
G120.0	2.45	2.40	2.40	2.29	2.13	1.97	1.55	1.65	1.44	3.49	32.43	40.80	58.73
G125.0	2.45	2.40	2.41	2.29	2.19	2.08	1.60	1.70	1.48	1.28	10.61	15.59	32.00
G130.0	2.45	2.40	2.40	2.35	2.24	2.08	1.71	1.76	1.55	1.39	1.26	1.73	7.88
G135.0	2.45	2.45	2.45	2.35	2.24	2.13	1.71	1.83	1.65	1.46	1.31	1.23	1.17
G140.0	2.45	2.40	2.45	2.40	2.35	2.18	1.81	1.91	1.68	1.50	1.39	1.28	1.28
G145.0	2.35	2.35	2.40	2.40	2.35	2.23	1.81	1.97	1.76	1.60	1.49	1.44	1.28
G150.0	2.35	2.35	2.35	2.35	2.35	2.24	1.92	2.03	1.87	1.71	1.60	1.52	1.41
G155.0	2.35	2.29	2.35	2.35	2.35	2.29	1.92	2.07	1.90	1.81	1.61	1.56	1.49
G160.0	2.24	2.29	2.31	2.29	2.35	2.29	1.92	2.09	1.97	1.84	1.71	1.65	1.60
G165.0	2.24	2.23	2.24	2.29	2.35	2.29	2.03	2.19	2.03	1.92	1.81	1.76	1.71
G170.0	2.13	2.19	2.24	2.29	2.34	2.29	2.03	2.24	2.08	2.04	1.92	1.87	1.81
G175.0	2.03	2.13	2.13	2.19	2.28	2.29	2.08	2.28	2.22	2.08	2.04	1.97	1.92
G180.0	2.17	2.17	2.17	2.17	2.17	2.17	2.17	2.17	2.17	2.17	2.17	2.17	2.17

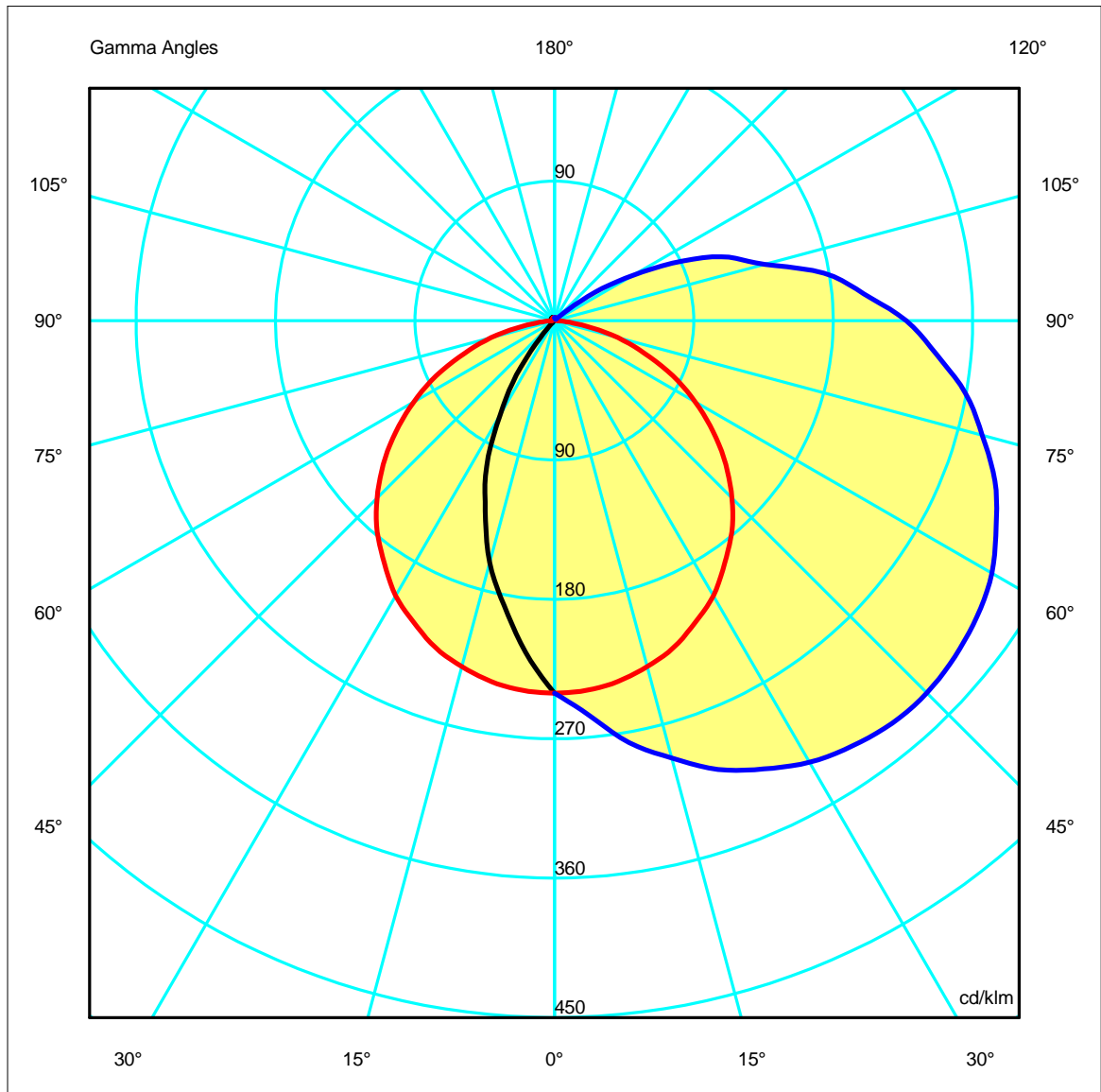
**Luminaire**

Code 05-9884-Z5-ZM  
 Name Applique CURIE leds 14W

**Measur.**

Code CL116A17F122G  
 Name Applique CURIE leds 14W

Luminaire Flux	412.12 lm	Luminaire Power	14.50 W	Efficacy	28.42 lm/W	Efficiency	100.00%
Lamps Flux	412.12 lm	Maximum value	339.90 cd/klm	Position	C=90.00 G=45.00	CG Sym. on planes 270-90	



---

**Luminaire**Code 05-9884-Z5-ZM  
Name Applique CURIE leds 14W**Measur.**Code CL116A17F122G  
Name Applique CURIE leds 14W

---

Luminaire Flux	412.12 lm	Luminaire Power	14.50 W	Efficacy	28.42 lm/W	Efficiency	100.00%
Lamps Flux	412.12 lm	Maximum value	339.90 cd/klm	Position	C=90.00 G=45.00	CG	Sym. on planes 270-90

---

Could not find 90270 right beam angle•gamma0180=0

Could not find 90270 right beam angle•gamma0180=0

Could not find 90270 right beam angle•gamma0180=0

**Luminaire**

Code 05-9884-Z5-ZM  
Name Aplique CURIE leds 14W

**Measurement**

Code CL116A17F122G  
Name Aplique CURIE leds 14W

Luminaire Flux	412.12 lm	Luminaire Power	14.50 W	Efficacy	28.42 lm/W	Efficiency	100.00%
Lamps Flux	412.12 lm	Maximum value	339.90 cd/klm	Position	C=90.00 G=45.00	CG	Sym. on planes 270-90

**UGR**  
S = 0.250

Reflectancies										
Ceiling/Cavity	0.7	0.7	0.5	0.5	0.3	0.7	0.7	0.5	0.5	0.3
Walls	0.5	0.3	0.5	0.3	0.3	0.5	0.3	0.5	0.3	0.3
WorkingPlane	0.2	0.2	0.2	0.2	0.2	0.2	0.2	0.2	0.2	0.2
RoomDimensions	ViewedCrosswise					ViewedEndwise				
x=2H y=2H	13.3	14.6	13.8	15.1	< 0	< 0	< 0	< 0	< 0	< 0
x=2H y=3H	14.6	15.8	15.1	16.3	< 0	< 0	< 0	< 0	< 0	< 0
x=2H y=4H	15.0	16.2	15.6	16.7	< 0	< 0	< 0	< 0	< 0	< 0
x=2H y=6H	15.2	16.3	15.8	16.8	< 0	< 0	< 0	< 0	< 0	< 0
x=2H y=8H	15.3	16.3	15.8	16.8	< 0	< 0	< 0	< 0	< 0	< 0
x=2H y=12H	15.2	16.2	15.8	16.8	< 0	< 0	< 0	< 0	< 0	< 0
x=4H y=2H	14.7	15.8	15.2	16.3	< 0	< 0	< 0	< 0	< 0	< 0
x=4H y=3H	16.3	17.3	16.9	17.9	< 0	< 0	< 0	< 0	< 0	< 0
x=4H y=4H	17.0	17.9	17.6	18.4	< 0	< 0	< 0	< 0	< 0	< 0
x=4H y=6H	17.4	18.2	18.0	18.8	< 0	< 0	< 0	< 0	< 0	< 0
x=4H y=8H	17.5	18.2	18.1	18.8	< 0	< 0	< 0	< 0	< 0	< 0
x=4H y=12H	17.5	18.2	18.1	18.8	< 0	< 0	< 0	< 0	< 0	< 0
x=8H y=4H	18.0	18.8	18.7	19.4	< 0	< 0	< 0	< 0	< 0	< 0
x=8H y=6H	18.8	19.4	19.5	20.1	< 0	< 0	< 0	< 0	< 0	< 0
x=8H y=8H	19.1	19.6	19.8	20.3	< 0	< 0	< 0	< 0	< 0	< 0
x=8H y=12H	19.2	19.7	19.9	20.4	< 0	< 0	< 0	< 0	< 0	< 0
x=12H y=4H	18.3	19.0	18.9	19.6	< 0	< 0	< 0	< 0	< 0	< 0
x=12H y=6H	19.2	19.8	19.9	20.4	< 0	< 0	< 0	< 0	< 0	< 0
x=12H y=8H	19.7	20.1	20.3	20.8	< 0	< 0	< 0	< 0	< 0	< 0

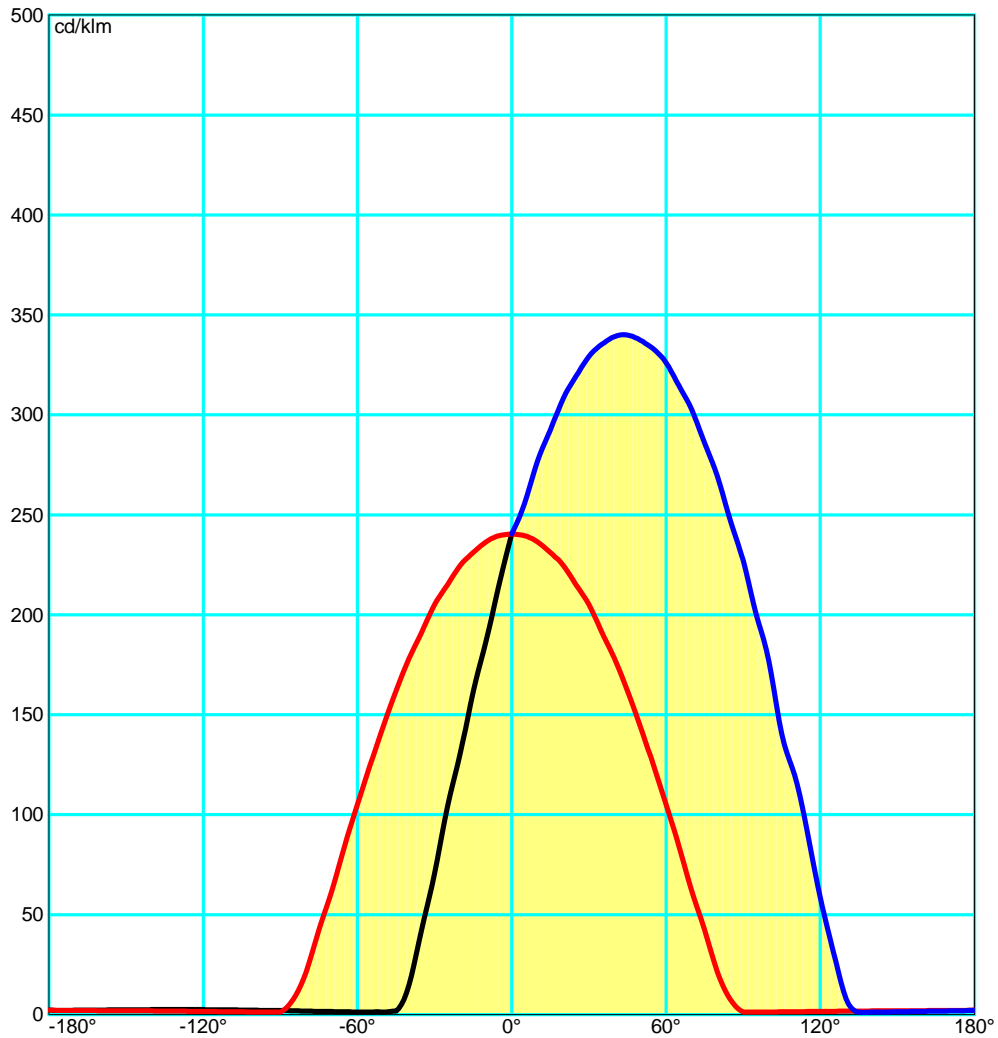
**Luminaire**

Code 05-9884-Z5-ZM  
 Name Applique CURIE leds 14W

**Measur.**

Code CL116A17F122G  
 Name Applique CURIE leds 14W

Luminaire Flux	412.12 lm	Luminaire Power	14.50 W	Efficacy	28.42 lm/W	Efficiency	100.00%
Lamps Flux	412.12 lm	Maximum value	339.90 cd/klm	Position	C=90.00 G=45.00	CG	Sym. on planes 270-90





**Luminaire**

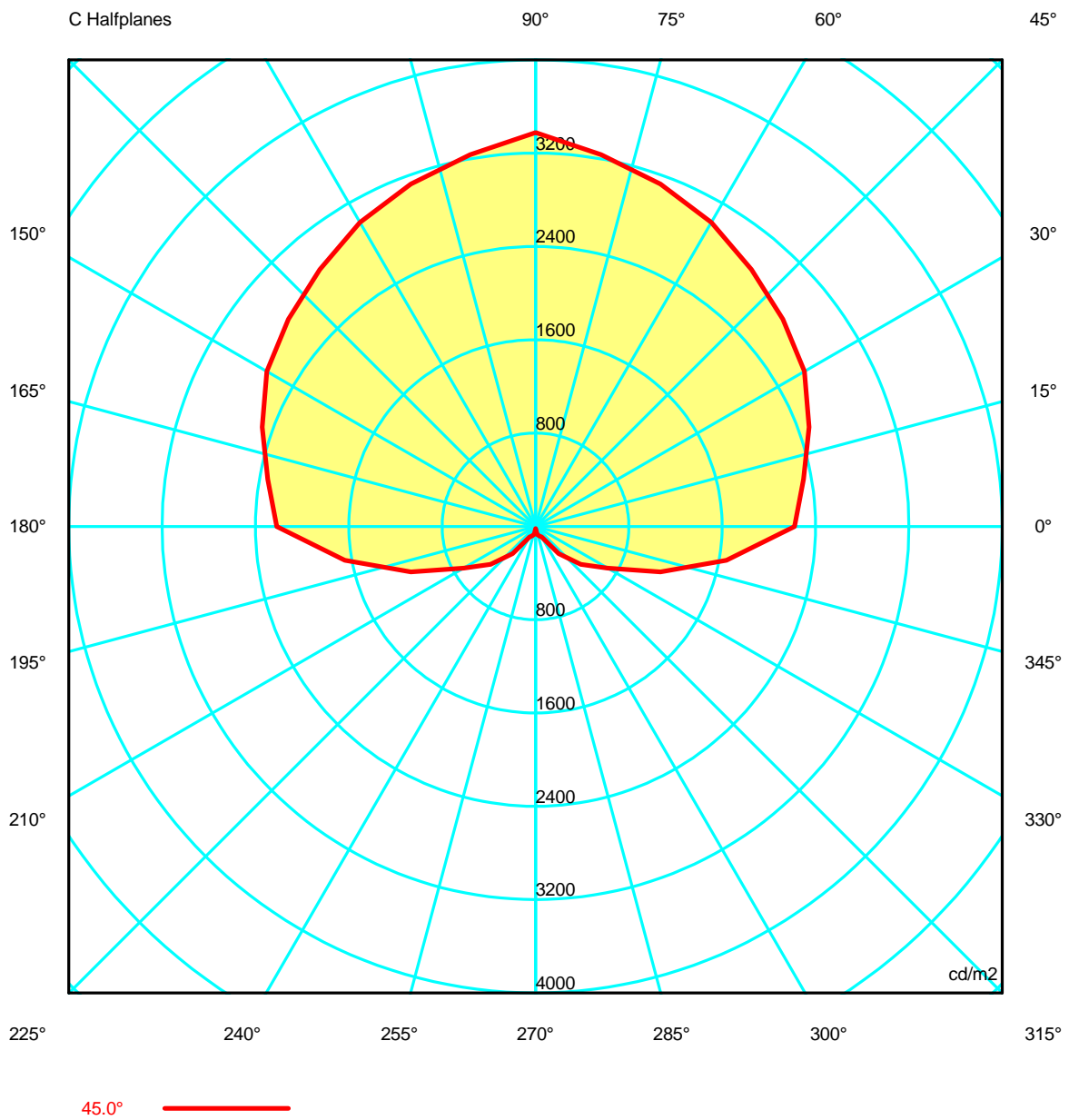
Code 05-9884-Z5-ZM  
 Name Aplique CURIE leds 14W

**Measur.**

Code CL116A17F122G  
 Name Aplique CURIE leds 14W

Luminaire Flux	412.12 lm	Luminaire Power	14.50 W	Efficacy	28.42 lm/W	Efficiency	100.00%
Lamps Flux	412.12 lm	Maximum value	339.90 cd/klm	Position	C=90.00 G=45.00	CG	Sym. on planes 270-90

Luminance



**Luminaire**

Code 05-9884-Z5-ZM  
Name Aplique CURIE leds 14W

**Measurerm.**

Code CL116A17F122G  
Name Aplique CURIE leds 14W

Luminaire Flux	412.12 lm	Luminaire Power	14.50 W	Efficacy	28.42 lm/W	Efficiency	100.00%
Lamps Flux	412.12 lm	Maximum value	339.90 cd/klm	Position	C=90.00 G=45.00	CG	Sym. on planes 270-90

**Luminance cd/m2 Table 1/3**

	C 0.00	C 10.00	C 20.00	C 30.00	C 40.00	C 50.00	C 60.00	C 70.00	C 80.00	C 90.00	C 100.00	C 110.00	C 120.00
G 0.0	3379.23	3379.23	3379.23	3379.23	3379.23	3379.23	3379.23	3379.23	3379.23	3379.23	3379.23	3379.23	3379.23
G 5.0	3250.99	3271.49	3264.54	3255.29	3331.64	3328.92	3279.81	3374.17	3413.19	3316.94	3413.19	3374.17	3279.81
G 10.0	3125.87	3145.01	3158.51	3171.95	3237.79	3253.43	3244.27	3332.40	3386.25	3355.58	3386.25	3332.40	3244.27
G 15.0	3000.58	3027.29	3058.60	3091.29	3162.36	3194.68	3211.58	3306.63	3366.55	3353.61	3366.55	3306.63	3211.58
G 20.0	2885.91	2915.95	2963.05	3016.78	3092.55	3139.12	3178.62	3279.01	3354.47	3380.15	3354.47	3279.01	3178.62
G 25.0	2753.70	2802.58	2872.20	2942.62	3022.91	3085.11	3147.07	3250.94	3331.73	3377.07	3331.73	3250.94	3147.07
G 30.0	2639.81	2690.32	2778.35	2871.92	2958.03	3032.63	3113.50	3221.13	3300.08	3387.20	3300.08	3221.13	3113.50
G 35.0	2495.05	2572.96	2688.58	2803.44	2894.02	2980.22	3079.12	3190.43	3277.66	3382.56	3277.66	3190.43	3079.12
G 40.0	2368.90	2457.34	2591.64	2726.51	2826.54	2927.38	3043.44	3158.23	3265.05	3383.03	3265.05	3158.23	3043.44
G 45.0	2219.14	2331.58	2494.82	2661.09	2766.06	2876.64	3009.49	3124.46	3236.82	3377.68	3236.82	3124.46	3009.49
G 50.0	2052.08	2193.77	2392.02	2581.69	2690.47	2813.54	2966.79	3087.22	3206.29	3365.78	3206.29	3087.22	2966.79
G 55.0	1863.74	2063.35	2296.86	2501.29	2621.94	2762.25	2931.42	3055.86	3181.84	3359.75	3181.84	3055.86	2931.42
G 60.0	1656.22	1884.92	2163.24	2413.57	2534.41	2689.31	2888.30	3010.41	3141.73	3354.33	3141.73	3010.41	2888.30
G 65.0	1424.22	1725.16	2041.79	2317.09	2460.95	2630.99	2837.37	2967.52	3106.14	3326.34	3106.14	2967.52	2837.37
G 70.0	1134.71	1491.86	1876.16	2215.63	2374.25	2557.35	2783.91	2916.37	3065.06	3317.23	3065.06	2916.37	2783.91
G 75.0	857.73	1279.61	1717.92	2088.61	2262.25	2469.71	2722.58	2859.24	3011.34	3280.41	3011.34	2859.24	2722.58
G 80.0	484.26	976.05	1536.85	1971.99	2147.45	2373.10	2660.08	2795.30	2955.39	3267.25	2955.39	2795.30	2660.08
G 85.0	201.00	678.25	1284.47	1773.34	1999.27	2264.26	2574.06	2719.23	2885.93	3209.06	2885.93	2719.23	2574.06
G 90.0	41.00	378.64	1009.49	1598.88	1842.94	2136.09	2490.23	2633.02	2810.09	3189.94	2810.09	2633.02	2490.23

**Luminaire**

Code 05-9884-Z5-ZM  
Name Aplique CURIE leds 14W

**Measurerm.**

Code CL116A17F122G  
Name Aplique CURIE leds 14W

Luminaire Flux	412.12 lm	Luminaire Power	14.50 W	Efficacy	28.42 lm/W	Efficiency	100.00%
Lamps Flux	412.12 lm	Maximum value	339.90 cd/klm	Position	C=90.00 G=45.00	CG	Sym. on planes 270-90

**Luminance cd/m2 Table 2/3**

	C 130.00	C 140.00	C 150.00	C 160.00	C 170.00	C 180.00	C 190.00	C 200.00	C 210.00	C 220.00	C 230.00	C 240.00	C 250.00
G 0.0	3379.23	3379.23	3379.23	3379.23	3379.23	3379.23	3379.23	3379.23	3379.23	3379.23	3379.23	3379.23	3379.23
G 5.0	3328.92	3331.64	3255.29	3264.54	3271.49	3250.99	3179.55	3076.75	2973.93	2972.44	2902.08	2795.39	2851.40
G 10.0	3253.43	3237.79	3171.95	3158.51	3145.01	3125.87	2978.23	2789.98	2610.25	2567.62	2454.66	2309.05	2366.06
G 15.0	3194.68	3162.36	3091.29	3058.60	3027.29	3000.58	2782.71	2537.39	2311.41	2227.38	2086.61	1919.77	1944.57
G 20.0	3139.12	3092.55	3016.78	2963.05	2915.95	2885.91	2599.89	2281.99	1999.54	1897.87	1734.01	1536.35	1555.28
G 25.0	3085.11	3022.91	2942.62	2872.20	2802.58	2753.70	2410.59	2059.18	1747.41	1599.75	1414.22	1214.17	1205.81
G 30.0	3032.63	2958.03	2871.92	2778.35	2690.32	2639.81	2250.44	1838.32	1469.77	1305.33	1108.31	890.77	881.25
G 35.0	2980.22	2894.02	2803.44	2688.58	2572.96	2495.05	2045.75	1602.78	1221.05	1036.49	821.20	591.86	574.73
G 40.0	2927.38	2826.54	2726.51	2591.64	2457.34	2368.90	1876.81	1386.76	968.60	783.15	563.48	320.73	306.03
G 45.0	2876.64	2766.06	2661.09	2494.82	2331.58	2219.14	1660.41	1139.14	712.24	504.23	304.65	104.86	85.36
G 50.0	2813.54	2690.47	2581.69	2392.02	2193.77	2052.08	1467.88	918.56	466.14	273.44	138.96	12.03	0.00
G 55.0	2762.25	2621.94	2501.29	2296.86	2063.35	1863.74	1235.39	684.89	246.16	66.98	22.16	12.04	10.93
G 60.0	2689.31	2534.41	2413.57	2163.24	1884.92	1656.22	991.15	451.16	83.26	4.71	12.89	12.97	12.60
G 65.0	2630.99	2460.95	2317.09	2041.79	1725.16	1424.22	714.66	251.59	15.85	0.00	14.14	14.17	13.64
G 70.0	2557.35	2374.25	2215.63	1876.16	1491.86	1134.71	434.35	102.03	17.17	11.84	15.36	15.35	14.95
G 75.0	2469.71	2262.25	2088.61	1717.92	1279.61	857.73	211.14	0.63	18.55	21.48	16.80	17.12	16.71
G 80.0	2373.10	2147.45	1971.99	1536.85	976.05	484.26	86.00	7.47	20.69	19.39	18.94	19.21	19.07
G 85.0	2264.26	1999.27	1773.34	1284.47	678.25	201.00	23.74	28.87	23.85	22.15	21.73	21.70	21.13
G 90.0	2136.09	1842.94	1598.88	1009.49	378.64	41.00	8.16	29.69	27.78	25.03	24.51	24.72	24.16

**Luminaire**

Code 05-9884-Z5-ZM  
Name Aplique CURIE leds 14W

**Measur.**

Code CL116A17F122G  
Name Aplique CURIE leds 14W

Luminaire Flux	412.12 lm	Luminaire Power	14.50 W	Efficacy	28.42 lm/W	Efficiency	100.00%
Lamps Flux	412.12 lm	Maximum value	339.90 cd/klm	Position	C=90.00 G=45.00	CG	Sym. on planes 270-90

**Luminance cd/m2 Table 3/3**

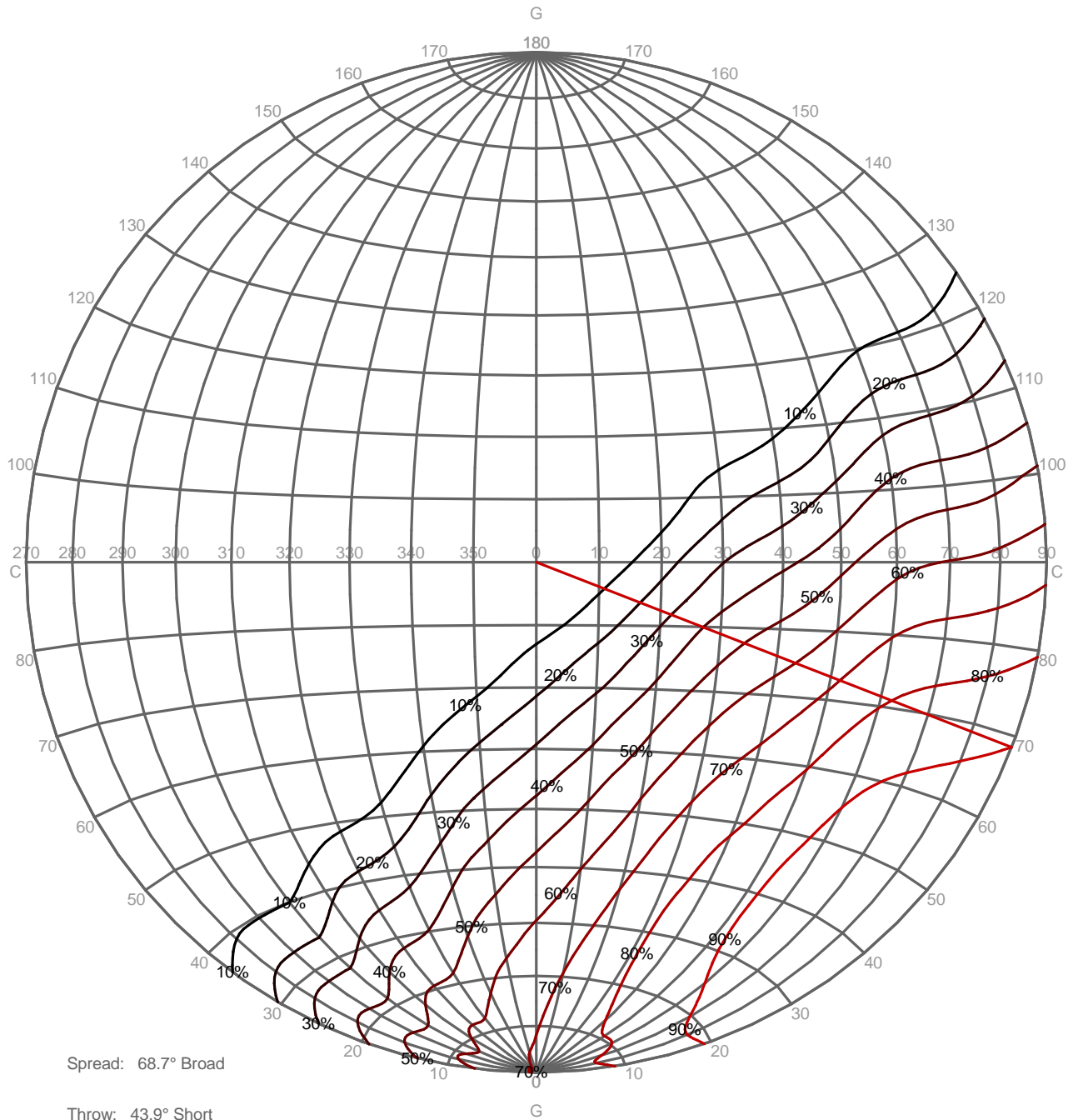
	C 260.00	C 270.00	C 280.00	C 290.00	C 300.00	C 310.00	C 320.00	C 330.00	C 340.00	C 350.00
G 0.0	3379.23	3379.23	3379.23	3379.23	3379.23	3379.23	3379.23	3379.23	3379.23	3379.23
G 5.0	2877.29	2786.12	2877.29	2851.40	2795.39	2902.08	2972.44	2973.93	3076.75	3179.55
G 10.0	2387.93	2267.60	2387.93	2366.06	2309.05	2454.66	2567.62	2610.25	2789.98	2978.23
G 15.0	1956.19	1856.10	1956.19	1944.57	1919.77	2086.61	2227.38	2311.41	2537.39	2782.71
G 20.0	1558.22	1432.00	1558.22	1555.28	1536.35	1734.01	1897.87	1999.54	2281.99	2599.89
G 25.0	1199.28	1097.28	1199.28	1205.81	1214.17	1414.22	1599.75	1747.41	2059.18	2410.59
G 30.0	853.06	725.27	853.06	881.25	890.77	1108.31	1305.33	1469.77	1838.32	2250.44
G 35.0	544.83	431.67	544.83	574.73	591.86	821.20	1036.49	1221.05	1602.78	2045.75
G 40.0	273.77	146.56	273.77	306.03	320.73	563.48	783.15	968.60	1386.76	1876.81
G 45.0	68.15	17.76	68.15	85.36	104.86	304.65	504.23	712.24	1139.14	1660.41
G 50.0	10.63	11.71	10.63	0.00	12.03	138.96	273.44	466.14	918.56	1467.88
G 55.0	11.77	12.92	11.77	10.93	12.04	22.16	66.98	246.16	684.89	1235.39
G 60.0	12.66	13.17	12.66	12.60	12.97	12.89	4.71	83.26	451.16	991.15
G 65.0	14.19	14.66	14.19	13.64	14.17	14.14	0.00	15.85	251.59	714.66
G 70.0	15.26	16.37	15.26	14.95	15.35	15.36	11.84	17.17	102.03	434.35
G 75.0	16.79	18.36	16.79	16.71	17.12	16.80	21.48	18.55	0.63	211.14
G 80.0	19.55	20.71	19.55	19.07	19.21	18.94	19.39	20.69	7.47	86.00
G 85.0	21.93	24.91	21.93	21.13	21.70	21.73	22.15	23.85	28.87	23.74
G 90.0	24.94	28.03	24.94	24.16	24.72	24.51	25.03	27.78	29.69	8.16

**Luminaire**  
 Code 05-9884-Z5-ZM  
 Name Applique CURIE leds 14W  
**Measur.**  
 Code CL116A17F122G  
 Name Applique CURIE leds 14W

Luminaire Flux	412.12 lm	Luminaire Power	14.50 W	Efficacy	28.42 lm/W	Efficiency	100.00%
Lamps Flux	412.12 lm	Maximum value	339.90 cd/klm	Position	C=90.00 G=45.00	CG	Sym. on planes 270-90

## PERCENTAGE ISOCANDLES

Projection: Equal Area SLI 9.7 Tight Tilting Angle:0°

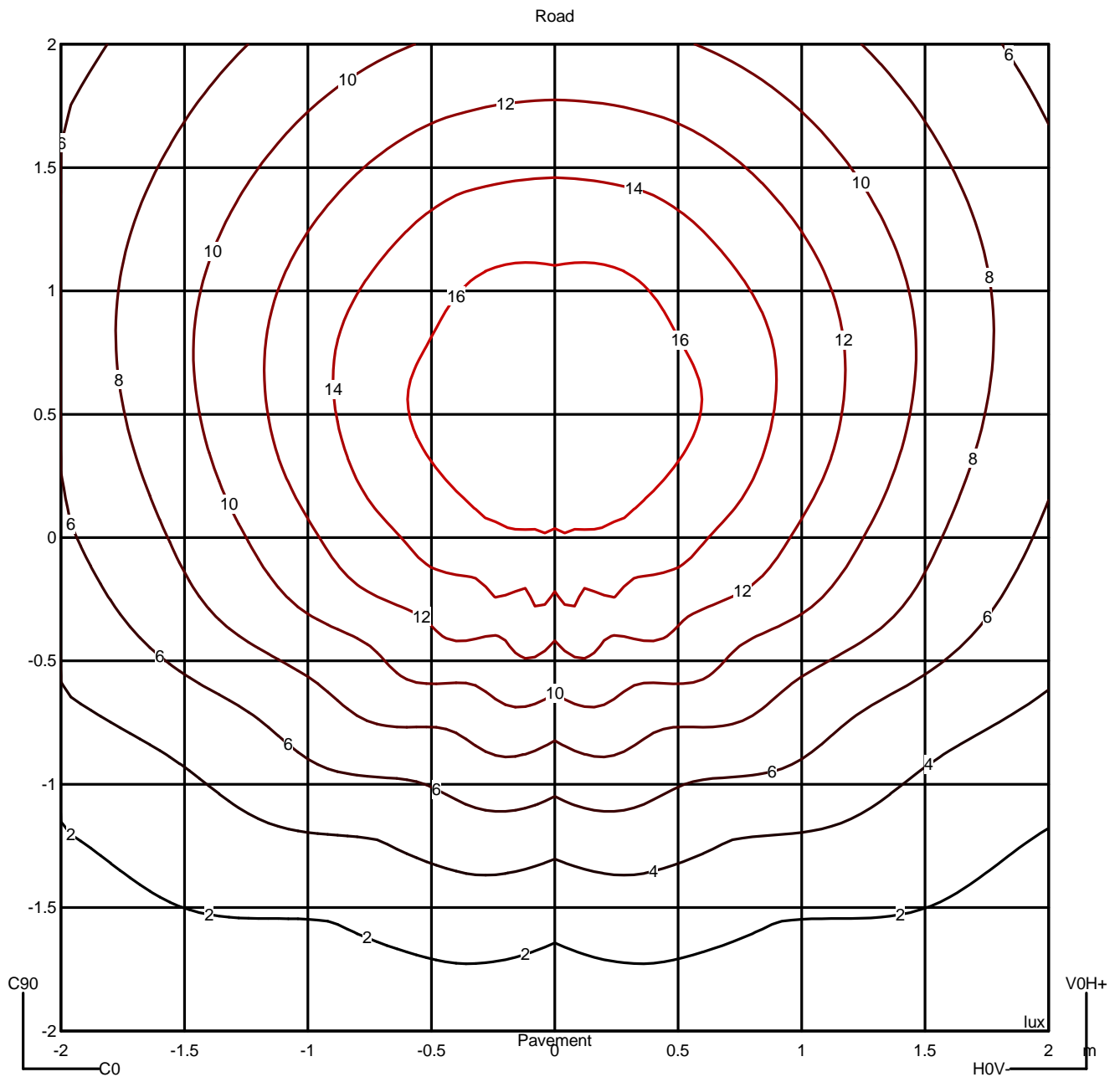


**Luminaire**  
 Code 05-9884-Z5-ZM  
 Name Aplique CURIE leds 14W  
**Measur.**  
 Code CL116A17F122G  
 Name Aplique CURIE leds 14W

Luminaire Flux	412.12 lm	Luminaire Power	14.50 W	Efficacy	28.42 lm/W	Efficiency	100.00%
Lamps Flux	412.12 lm	Maximum value	339.90 cd/klm	Position	C=90.00 G=45.00	CG Sym. on planes 270-90	

Isolux (Floor)

Luminaire position X=0.00m Y=0.00m Z=2.50m



**Luminaire**

Code 05-9884-Z5-ZM  
 Name Applique CURIE leds 14W

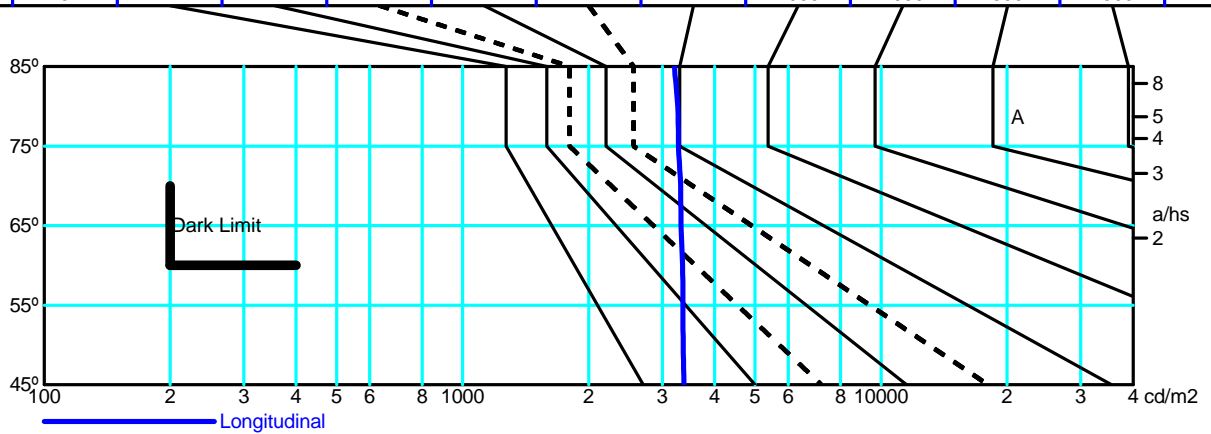
**Measurment.**

Code CL116A17F122G  
 Name Applique CURIE leds 14W

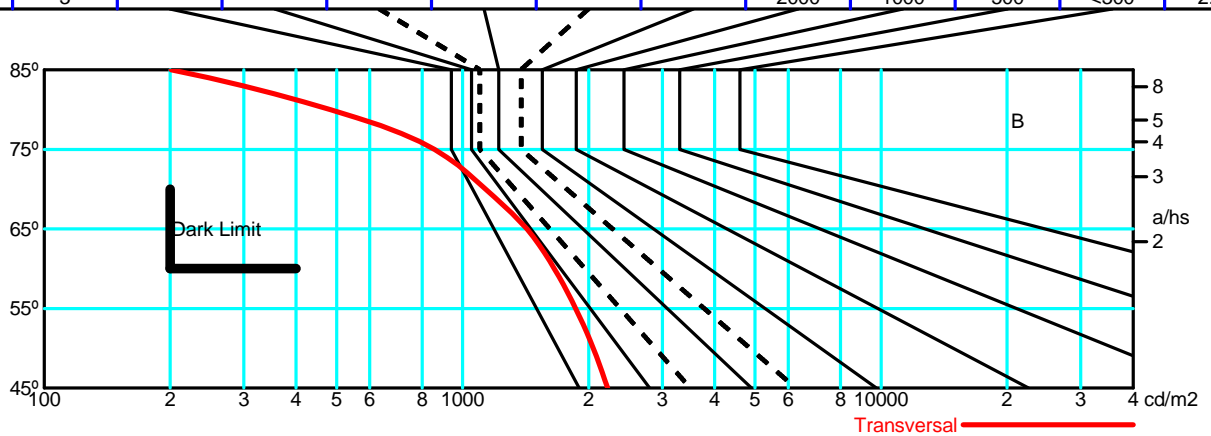
Luminaire Flux	412.12 lm	Luminaire Power	14.50 W	Efficacy	28.42 lm/W	Efficiency	100.00%
Lamps Flux	412.12 lm	Maximum value	339.90 cd/klm	Position	C=90.00 G=45.00	CG	Sym. on planes 270-90

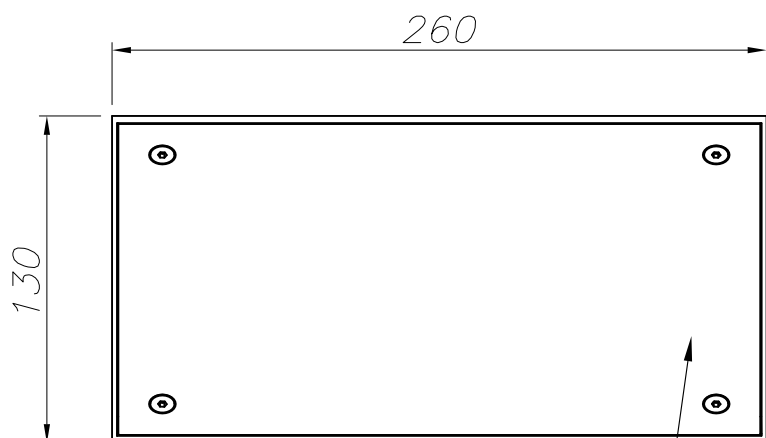
	Average Luminance [cd/m <sup>2</sup> ]										
	0.0°	45°	50°	55°	60°	65°	70°	75°	80°	85°	---
	90.0°	3378	3366	3360	3354	3326	3317	3280	3267	3209	--

Flush mounted or longitudinal view											
Illumination(lx)											
A	A	2000	1000	750	500	<300					1.15
B	1		2000	1500	1000	750	500	<300			1.5
C					2000		1000	500	<300		1.85
D	2					2000	1000	500	<300		2.2
E	3						2000	1000	500	<300	2.55

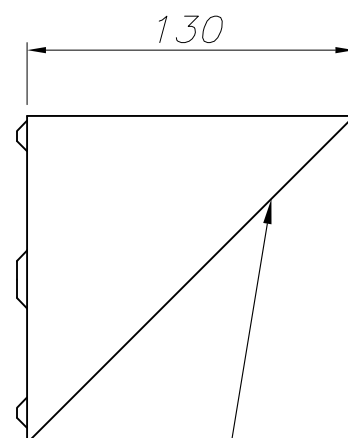


Flush mounted or transversal view											
Illumination(lx)											
A	A	2000	1000	750	500	<300					1.15
B	1		2000	1500	1000	750	500	<300			1.5
C					2000		1000	500	<300		1.85
D	2					2000	1000	500	<300		2.2
E	3						2000	1000	500	<300	2.55

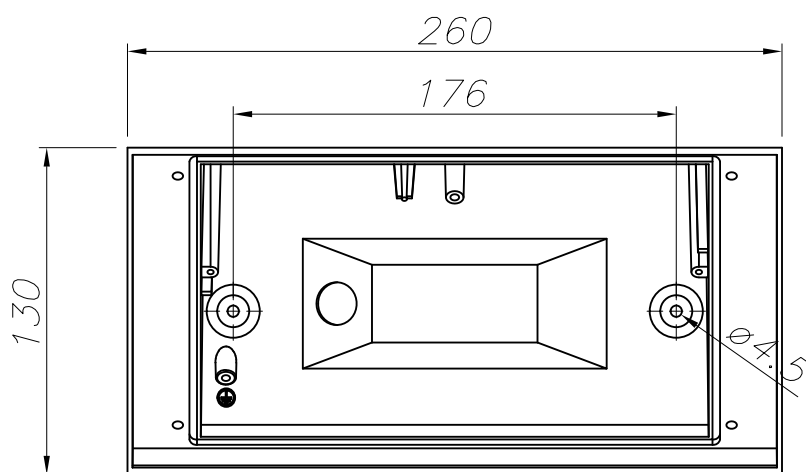




CRISTAL TRANSPARENTE PINTADO INTERIOR  
TRANSPARENT GLASS PAINTED INSIDE



ALUMINIO DE ALTA PUREZA  
HIGH QUALITY ALUMINUM



PLANTILLA DE INSTALACIÓN  
INSTALLATION TEMPLATE



