

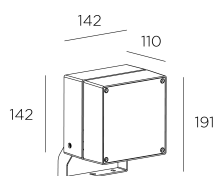
Cube 9 LEDS Spotlight



Description

Spotlight IP65 Cube 9 LEDS LED 32.5W 4000K Urban grey 2286lm

	Finish	Material
Structure	Urban grey	Aluminium
Diffuser	Transparent	Polycarbonate



TECHNICAL CHARACTERISTICS

Light source

Light source: LED
 Light source power (W): 32.5W
 Luminaire total power (W): 38.4W
 Color temperature: LED neutral-white
 4000K
 CRI: 75
 Real Lumen: 2286
 Qty Leds: 9
 Lm/Real W: 60
 Life Time: 50.000h L80B20
 Bin / Grup: 5A3-5D2
 UGR: 13.6

GEAR

Gear included: Yes, electronic
 Voltage / Frequency:
 100-240VAC/50-60Hz

Luminaire

Double cable exit: Yes
 Seaside: No
 Uv Protection: Yes
 Warranty: 5 Years

Logistics

Energy Efficiency: LED A++
 EAN Code: 8435381443436
 Net Weight (Kg): 1.63
 Weight in Kg (packaged): 1.87
 Masterbox: 4

The photograph may not match the reference exactly. Please read the product description to identify the finish.

OPTIONAL ACCESSORIES



71-9942-Z5-Z5

Visor for 142 mm x 142mm CUBE model (w x h)

Structure material: Aluminium
Dimensions: NA x NA x NA
Net Weight (Kg): 0.07



71-9487-Z5-Z5

Structure material:



71-9997-05-05

235mm stake

Structure material: Resin
Dimensions: 50 x NA x 235
Net Weight (Kg): 0.07



71-9998-05-05

302mm stake

Structure material: Resin
Dimensions: 60 x 302 x NA
Net Weight (Kg): 0.18



71-E016-Z5-Z5

Base for cables of Ø6mm to Ø13.5mm

Structure material: Aluminium
Dimensions: 148 x NA x 62
Net Weight (Kg): 0.63



71-9999-Z5-Z5

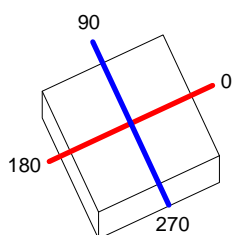
Mount for columns or trees

Structure material: Aluminium
Dimensions: 30 x NA x 108
Net Weight (Kg): 0.3

Luminaire		Measur.		Lamp		
Code	05-9853-Z5-CM	Code	05-9853-Z5-CL	Code	05-9853-Z5-CL	
Name	Projector CUBE 29° 32.5W 4000K	Name	Projector CUBE 29° 32.5W 3000K	Number	1	
Line	Eulumdat	Date	26-05-2015	Position		
Efficiency	100.00%	Coordinate system	CG	Total Flux	2285.68 lm	
Maximum value	8740.54 cd	Position	C=0.00 G=0.00	Double Symmetrical		
Rectangular Luminaire	Length	142 mm	Width	142 mm	Height	110 mm
Rectangular Luminous Area	Length	105 mm	Width	105 mm	Height	0 mm
Horizontal Luminous Area	0.011025 m2	Emitting area on Plane 180°		0.000000 m2		
Emitting area on Plane 0°	0.000000 m2	Emitting area on Plane 270°		0.000000 m2		
Emitting area on Plane 90°	0.000000 m2	Glare area at 76°		0.002667 m2		
Symmetry Type	Double Symmetrical	Maximum Gamma Angle	90			
Measurement Distance	0.00	Measurement Flux	2285.68 lm			
Operator	Asselum T2	Source voltage				
Temperature	25.00 °C	Source current				
Humidity	60.00 %	Photocell				
Notes						

Luminaire Lamps					
Line	Code	Name	Flux [lm]	Pow. [W]	Q.ty
Eulumdat	05-9853-Z5-CL	05-9853-Z5-CL - 32.00 W	2285.68	32.00	1
C.I.E.	93 98 100 100 100	D DIN 5040		A60	
F UTE	1.00 A	B NBN		BZ 1	

142mm x 142mm



C Halfplanes

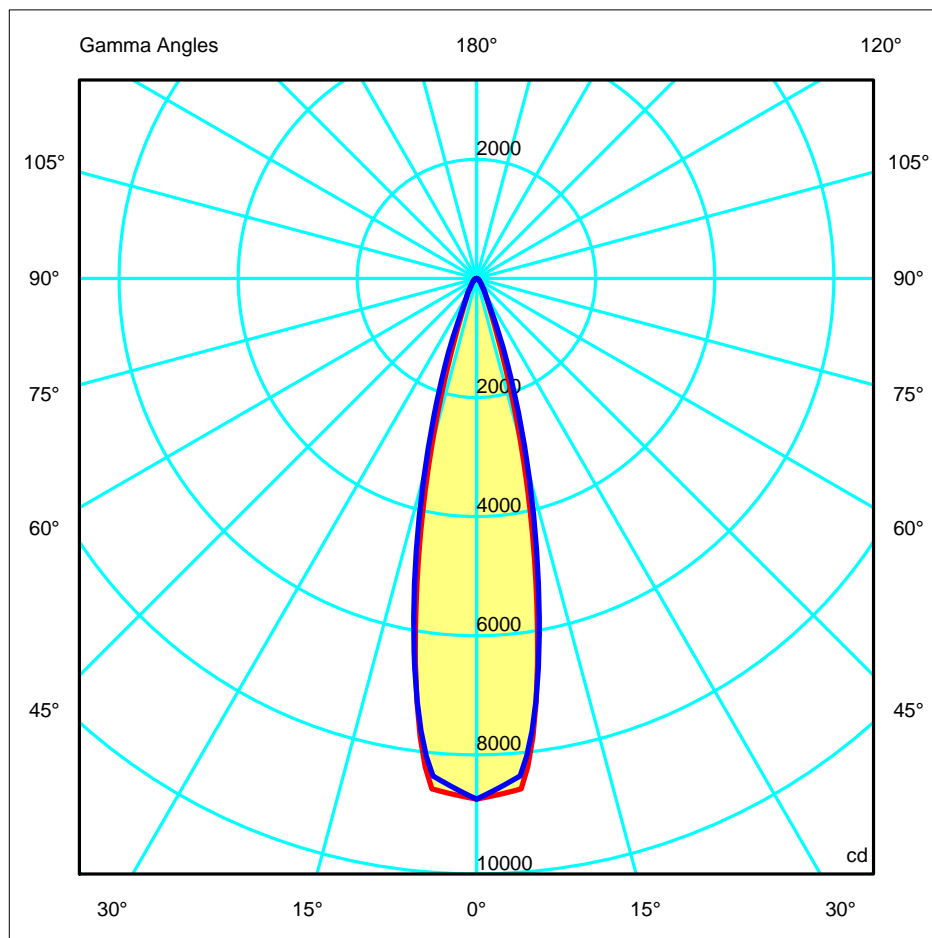
180.0 — 0.0

270.0 — 90.0

ULOR 0.00 %

DLOR 100.00 %

RN 0.00 %

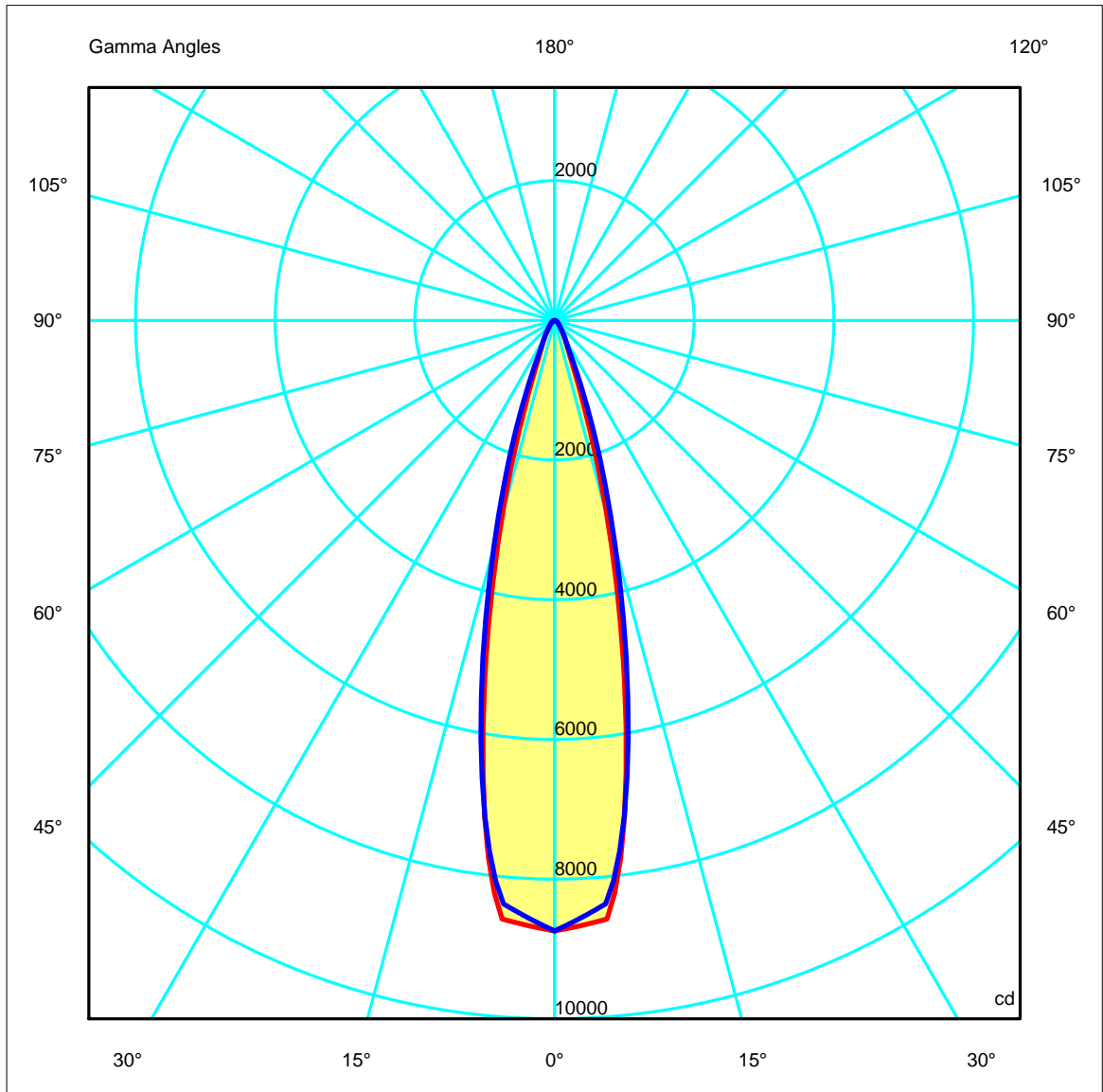
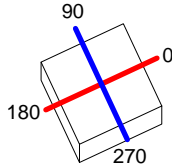


Luminaire		Measuram.		Lamp	
Code	05-9853-Z5-CM	Code	05-9853-Z5-CL	Code	05-9853-Z5-CL
Name	Projector CUBE 29° 32.5W 4000K	Name	Projector CUBE 29° 32.5W 3000K	Number	1
Line	Eulumat	Date	26-05-2015	Position	
Efficiency	100.00%	Coordinate system	CG	Total Flux	2285.68 lm

142mm x 142mm

C Halfplanes

180.0 ————— 0.0
 270.0 ————— 90.0



Luminaire

 Code 05-9853-Z5-CM
 Name Projector CUBE 29° 32.5W 4000K
 Line Eulumdat

Measur.

 Code 05-9853-Z5-CL
 Name Projector CUBE 29° 32.5W 3000K
 Date 26-05-2015

Lamp

 Code 05-9853-Z5-CL
 Number 1
 Position

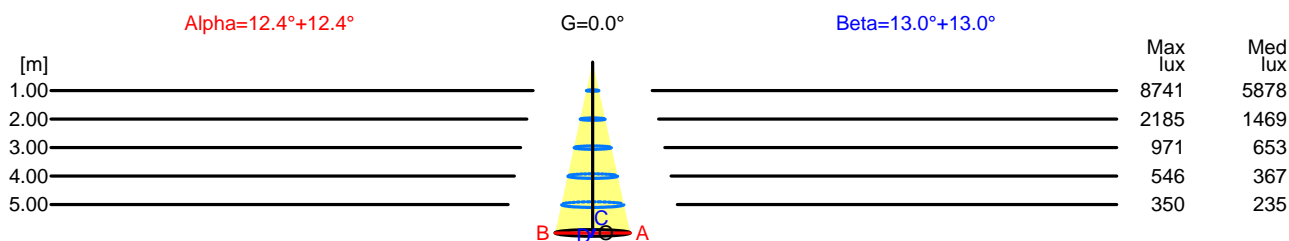
Efficiency	100.00%	Coordinate system	CG	Total Flux	2285.68 lm
------------	---------	-------------------	----	------------	------------

Width at 50.00 % of Max Intensity

H[m]	1.00	2.00	3.00	4.00	5.00	H[m]	1.00	2.00	3.00	4.00	5.00
OA	0.22	0.44	0.66	0.88	1.10	OC	0.23	0.46	0.69	0.93	1.16
OB	0.22	0.44	0.66	0.88	1.10	OD	0.23	0.46	0.69	0.93	1.16

Luminous Intensities [cd]

	0	5	15	25	35	45	55	65	75	85
OA	8740.54	8603.43	2891.08	461.29	169.46	88.96	53.08	29.41	11.21	1.82
OB	8740.54	8603.43	2891.08	461.29	169.46	88.96	53.08	29.41	11.21	1.82
OC	8740.54	8385.61	3362.38	544.58	188.93	94.08	54.88	28.78	10.92	1.94
OD	8740.54	8385.61	3362.38	544.58	188.93	94.08	54.88	28.78	10.92	1.94



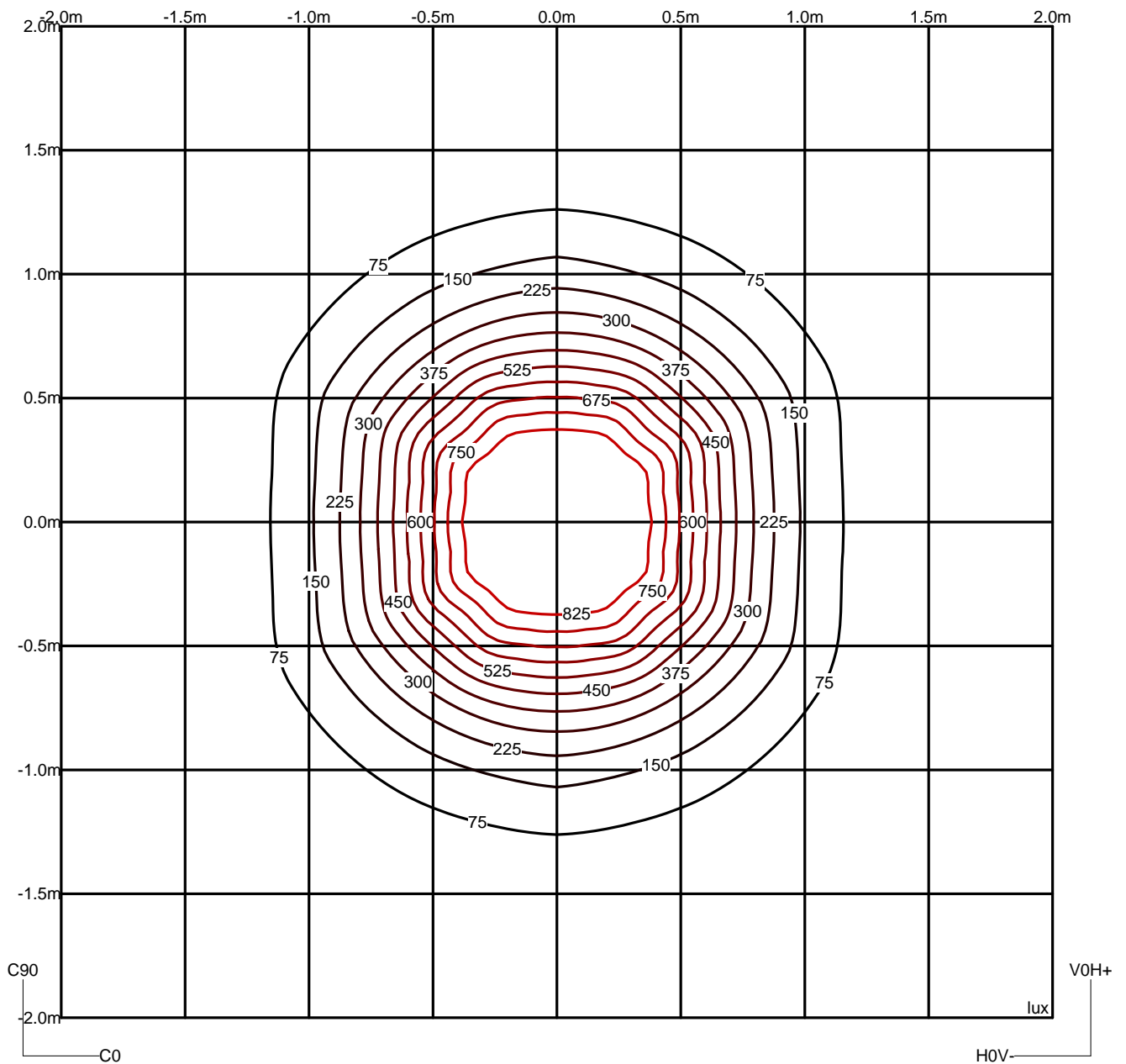
H[m]	D[m]	Max lux	Med lux	Alpha=12.4°+12.4°	G=0.0
1.00	0.44	8741	5878		
2.00	0.88	2185	1469		
3.00	1.32	971	653		
4.00	1.76	546	367		
5.00	2.20	350	235		

H[m]	D[m]	Max lux	Med lux	Beta=13.0°+13.0°	G=0.0
1.00	0.46	8741	5878		
2.00	0.93	2185	1469		
3.00	1.39	971	653		
4.00	1.85	546	367		
5.00	2.31	350	235		

Luminaire		Measur.		Lamp	
Code	05-9853-Z5-CM	Code	05-9853-Z5-CL	Code	05-9853-Z5-CL
Name	Projector CUBE 29° 32.5W 4000K	Name	Projector CUBE 29° 32.5W 3000K	Number	1
Line	Eulumdat	Date	26-05-2015	Position	
Efficiency	100.00%	Coordinate system	CG	Total Flux	2285.68 lm

Isolux (Floor)

Luminaire position X=0.00m Y=0.00m Z=3.00m



Luminaire

Code 05-9853-Z5-CM
 Name Projector CUBE 29° 32.5W 4000K
 Line Eulumdat

Measur.

Code 05-9853-Z5-CL
 Name Projector CUBE 29° 32.5W 3000K
 Date 26-05-2015

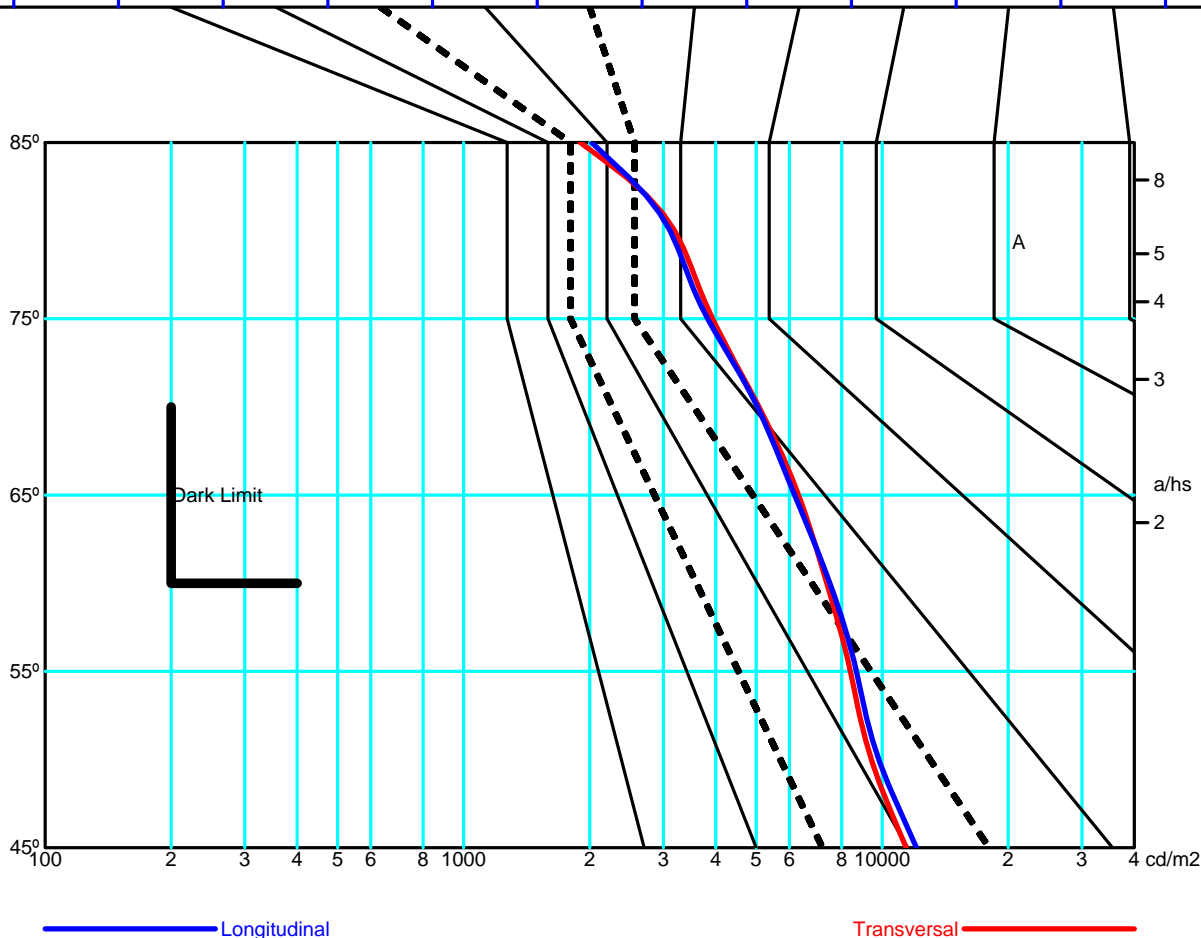
Lamp

Code 05-9853-Z5-CL
 Number 1
 Position

Efficiency 100.00% Coordinate system CG Total Flux 2285.68 lm

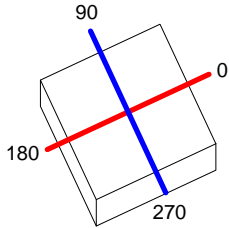
		Average Luminance [cd/m ²]									
		45°	50°	55°	60°	65°	70°	75°	80°	85°	
0.0°	11412	9418	8394	7372	6311	5073	3930	3192	1899	---	
90.0°	12068	9810	8678	7498	6176	5033	3828	3113	2022	---	

Flush mounted or longitudinal view												
		Illumination(lx)										
A	A	2000	1000	750	500		<300				1.15	
B	1		2000	1500	1000	750	500	<300			1.5	
C					2000		1000	500	<300		1.85	
D	2						2000	1000	500	<300	2.2	
E	3							2000	1000	500	<300	2.55



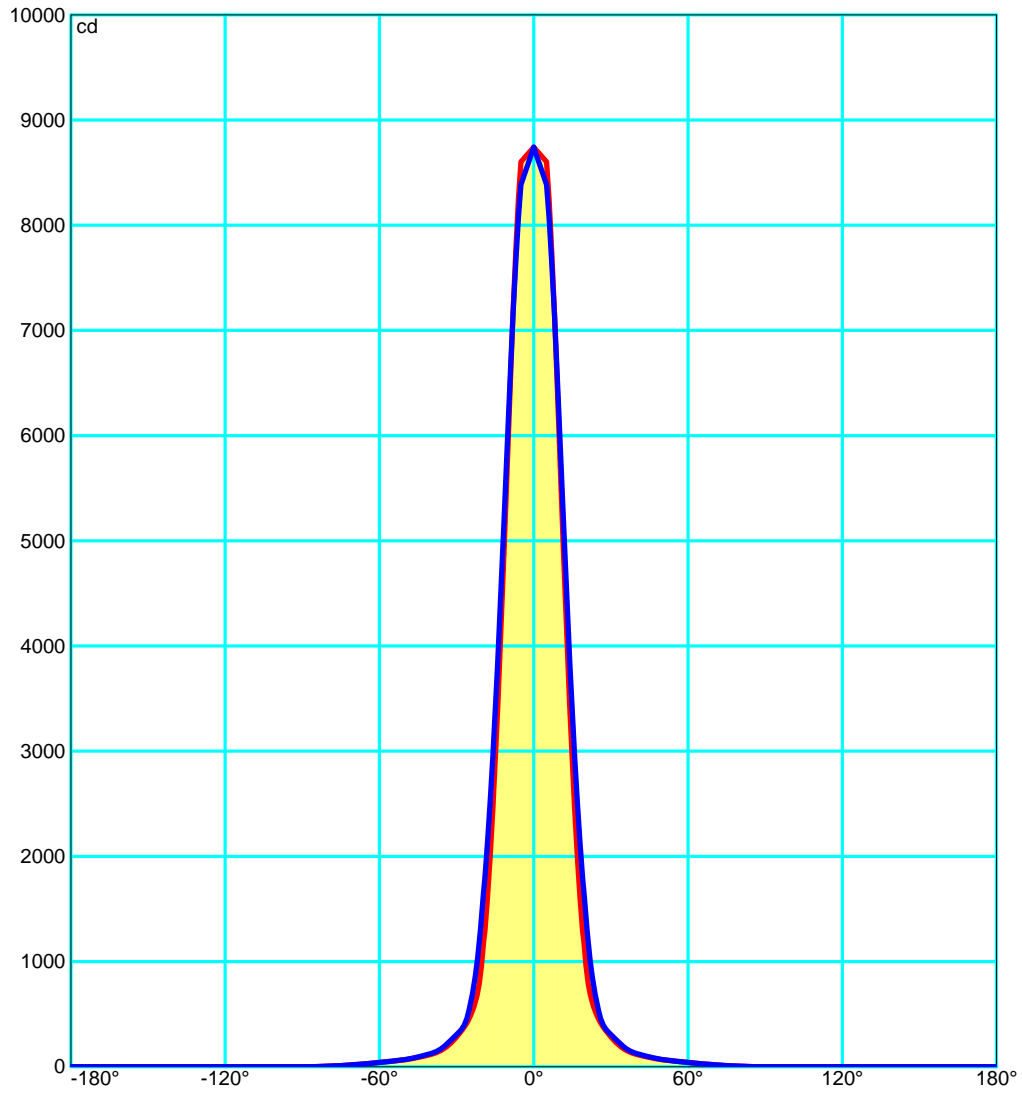
Luminaire		Measur.		Lamp	
Code	05-9853-Z5-CM	Code	05-9853-Z5-CL	Code	05-9853-Z5-CL
Name	Projector CUBE 29° 32.5W 4000K	Name	Projector CUBE 29° 32.5W 3000K	Number	1
Line	Eulumdat	Date	26-05-2015	Position	
Efficiency	100.00%	Coordinate system	CG	Total Flux	2285.68 lm

142mm x 142mm



C Halfplanes

180.0 ——— 0.0
 270.0 ——— 90.0



Luminaire		Measurem.		Lamp	
Code	05-9853-Z5-CM	Code	05-9853-Z5-CL	Code	05-9853-Z5-CL
Name	Proyector CUBE 29° 32.5W 4000K	Name	Proyector CUBE 29° 32.5W 3000K	Number	1
Line	Eulumdat	Date	26-05-2015	Position	
Efficiency	100.00%	Coordinate system	CG	Total Flux	2285.68 lm

UGR
S = 0.250

Reflectancies										
Ceiling/Cavity	0.7	0.7	0.5	0.5	0.3	0.7	0.7	0.5	0.5	0.3
Walls	0.5	0.3	0.5	0.3	0.3	0.5	0.3	0.5	0.3	0.3
WorkingPlane	0.2	0.2	0.2	0.2	0.2	0.2	0.2	0.2	0.2	0.2
RoomDimensions	ViewedCrosswise					ViewedEndwise				
x=2H y=2H	13.6	14.3	13.8	14.5	14.8	13.7	14.4	13.9	14.6	14.8
x=2H y=3H	14.3	15.0	14.6	15.2	15.5	14.3	15.0	14.6	15.2	15.5
x=2H y=4H	14.5	15.1	14.8	15.4	15.6	14.5	15.1	14.8	15.4	15.6
x=2H y=6H	14.6	15.2	14.9	15.5	15.7	14.6	15.2	15.0	15.5	15.7
x=2H y=8H	14.7	15.2	15.0	15.5	15.8	14.7	15.2	15.0	15.5	15.8
x=2H y=12H	14.6	15.1	15.0	15.5	15.8	14.7	15.2	15.0	15.5	15.8
x=4H y=2H	14.0	14.6	14.3	14.9	15.2	14.1	14.7	14.3	14.9	15.2
x=4H y=3H	14.9	15.4	15.2	15.7	16.0	14.9	15.4	15.2	15.7	16.0
x=4H y=4H	15.1	15.6	15.5	15.9	16.2	15.1	15.5	15.5	15.9	16.2
x=4H y=6H	15.3	15.7	15.7	16.0	16.4	15.3	15.6	15.7	16.0	16.4
x=4H y=8H	15.4	15.7	15.8	16.1	16.4	15.3	15.6	15.7	16.0	16.4
x=4H y=12H	15.4	15.7	15.8	16.1	16.4	15.3	15.6	15.8	16.0	16.4
x=8H y=4H	15.2	15.6	15.6	15.9	16.3	15.2	15.5	15.6	15.9	16.3
x=8H y=6H	15.5	15.7	15.9	16.1	16.5	15.4	15.7	15.9	16.1	16.5
x=8H y=8H	15.6	15.8	16.0	16.2	16.6	15.5	15.7	16.0	16.2	16.6
x=8H y=12H	15.6	15.8	16.1	16.2	16.7	15.5	15.7	16.0	16.2	16.7
x=12H y=4H	15.2	15.5	15.6	15.9	16.3	15.2	15.5	15.6	15.9	16.3
x=12H y=6H	15.5	15.7	15.9	16.1	16.5	15.4	15.6	15.9	16.1	16.5
x=12H y=8H	15.6	15.7	16.1	16.2	16.6	15.5	15.7	16.0	16.2	16.6

Luminaire

Code 05-9853-Z5-CM
 Name Projector CUBE 29° 32.5W 4000K
 Line Eulumdat

Measur.

Code 05-9853-Z5-CL
 Name Projector CUBE 29° 32.5W 3000K
 Date 26-05-2015

Lamp

Code 05-9853-Z5-CL
 Number 1
 Position

Efficiency 100.00% Coordinate system CG Total Flux 2285.68 lm

Total Flux=2285.68 Luminaire Flux=2285.68

RI	0.60	0.80	1.00	1.25	1.50	2.00	2.50	3.00	4.00	5.00	10.00	20.00
DRR	0.69	0.74	0.79	0.82	0.85	0.90	0.93	0.96	0.98	0.99	1.01	1.02
RC	-	-	-	-	-	-	-	-	-	-	-	-

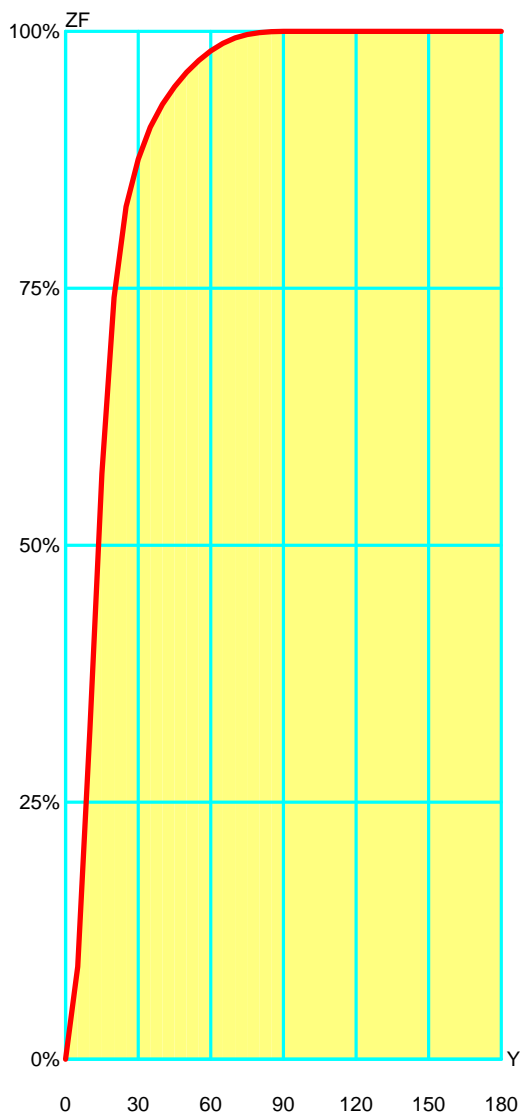
Zonal Flux per 1000 Lumen

Y°	10	20	30	40	50	60	70	80	90	100	110	120	130	140	150	160	170	180
ZF(Y)	321	741	876	929	960	981	994	999	1000	1000	1000	1000	1000	1000	1000	1000	1000	1000

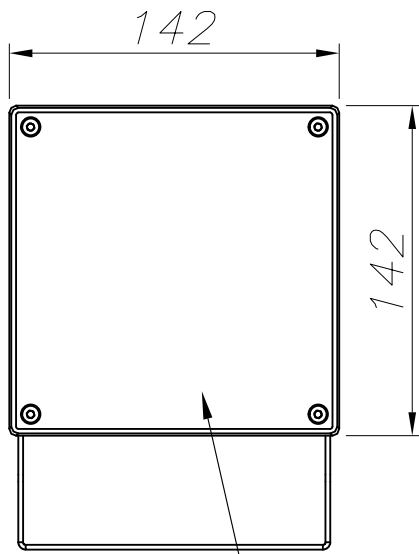
CIE Flux Codes

93 98 100 100 100

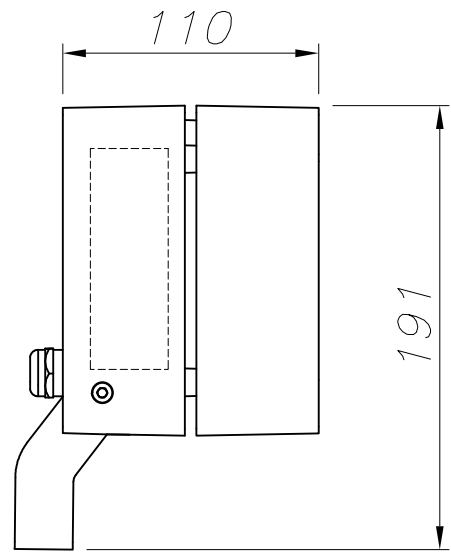
C.I.E.	-/-/-/-/-/-/-/-/-/-	LOR	100.00000 %
D DIN 5040	A60	ULOR	0.00000 %
F UTE	1.00 A	DLOR	100.00000 %
B NBN	BZ 1	UFF	0.00000 %
RN	0.00000 %	DFF	100.00000 %
BLF	1.0	FFR	0.00000 %



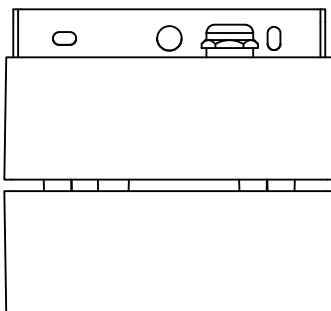
Zonal Flux				
Gamma °	Flux	Sum lm	Flux [%]	Sum [%]
0°	0.00	0.00	0.00%	0.00%
5°	90.07	90.07	9.01%	9.01%
10°	230.46	320.53	23.05%	32.05%
15°	249.15	569.68	24.92%	56.97%
20°	171.26	740.94	17.13%	74.09%
25°	88.53	829.47	8.85%	82.95%
30°	46.13	875.60	4.61%	87.56%
35°	31.08	906.67	3.11%	90.67%
40°	22.30	928.97	2.23%	92.90%
45°	17.15	946.12	1.71%	94.61%
50°	13.95	960.08	1.40%	96.01%
55°	11.49	971.56	1.15%	97.16%
60°	9.45	981.01	0.94%	98.10%
65°	7.33	988.34	0.73%	98.83%
70°	5.18	993.52	0.52%	99.35%
75°	3.31	996.82	0.33%	99.68%
80°	1.92	998.74	0.19%	99.87%
85°	0.95	999.70	0.10%	99.97%
90°	0.30	1000.00	0.03%	100.00%
95°	0.00	1000.00	0.00%	100.00%
100°	0.00	1000.00	0.00%	100.00%
105°	0.00	1000.00	0.00%	100.00%
110°	0.00	1000.00	0.00%	100.00%
115°	0.00	1000.00	0.00%	100.00%
120°	0.00	1000.00	0.00%	100.00%
125°	0.00	1000.00	0.00%	100.00%
130°	0.00	1000.00	0.00%	100.00%
135°	0.00	1000.00	0.00%	100.00%
140°	0.00	1000.00	0.00%	100.00%
145°	0.00	1000.00	0.00%	100.00%
150°	0.00	1000.00	0.00%	100.00%
155°	0.00	1000.00	0.00%	100.00%
160°	0.00	1000.00	0.00%	100.00%
165°	0.00	1000.00	0.00%	100.00%
170°	0.00	1000.00	0.00%	100.00%
175°	0.00	1000.00	0.00%	100.00%
180°	0.00	1000.00	0.00%	100.00%



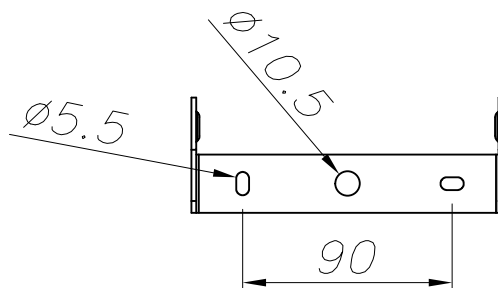
PC TRANSPARENTE
TRANSPARENT PC



ALUMINIO
ALUMINIUM



ALUMINIO INYECTADO
INJECTED ALUMINIUM



PLANTILLA DE INSTALACIÓN
INSTALLATION TEMPLATE

