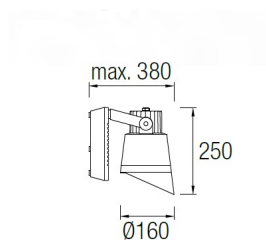


HUBBLE LED

DIBA Production

05-9850-34-CL

Spotlight IP65 HUBBLE LED LED 20W 3000K 1-10V/PUSH/DALI Grey 949lm



TECHNICAL FEATURES



Power (W) : 20W

Real lumens : 949

Real lm/W : 47

Colour temperature : LED warm-white 3000K

Lens / reflector angle : MEDIUM 28°

Structure material : Aluminium

Structure finish : Grey

Diffuser material : Glass

Diffuser finish : Transparent

Equipment included : Yes, electronic

Voltage / frequency : 100-240VAC/50-60Hz

Warranty : 2 Years

Max. temperature : 25°C

Seaside : No

Energy efficiency : LED A++

LUMINOTECHNIC FEATURES

Light source: LED

CRI: 80

LOGISTICS

Net weight (kg): 2.82

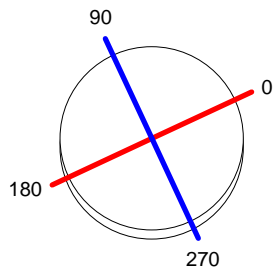
Packaged weight (kg): 3.25



Luminaire		Measur.		Lamp	
Code	05-9850-34-CL 28°	Code	05-9850-34-CL 28	Code	LED 9X2.3W 3000K
Name	Projector HUBBLE 21W 28°	Name	Projector HUBBLE 21W 28°	Number	1
Line	Eulumdat	Date	24-10-2014	Position	
Efficiency	58.56%	Coordinate system	CG	Total Flux	1620.00 lm
Maximum value	3603.13 cd	Position	C=0.00 G=0.00	Double Symmetrical	
Round Luminaire	Diam.	160 mm	Height	230 mm	
Round Luminous Area	Diam.	96 mm	Height	0 mm	
Horizontal Luminous Area	0.007238 m2		Emitting area on Plane 180°	0.000000 m2	
Emitting area on Plane 0°	0.000000 m2		Emitting area on Plane 270°	0.000000 m2	
Emitting area on Plane 90°	0.000000 m2		Glare area at 76°	0.001751 m2	
Symmetry Type	Double Symmetrical		Maximum Gamma Angle	90	
Measurement Distance	0.00		Measurement Flux	1620.00 lm	
Operator	Asselum T2		Source voltage		
Temperature	25.00 °C		Source current		
Humidity	60.00 %		Photocell		
Notes					

Luminaire Lamps						
Line	Code	Name	Flux [lm]	Pow. [W]	Q.ty	
Eulumdat	LED 9X2.3W 3000K	LED 9X2.3W 3000K - 21.00 W	1620.00	21.00	1	
C.I.E.	97 99 100 100 59	D DIN 5040	A60			
F UTE	--	B NBN	BZ 1			

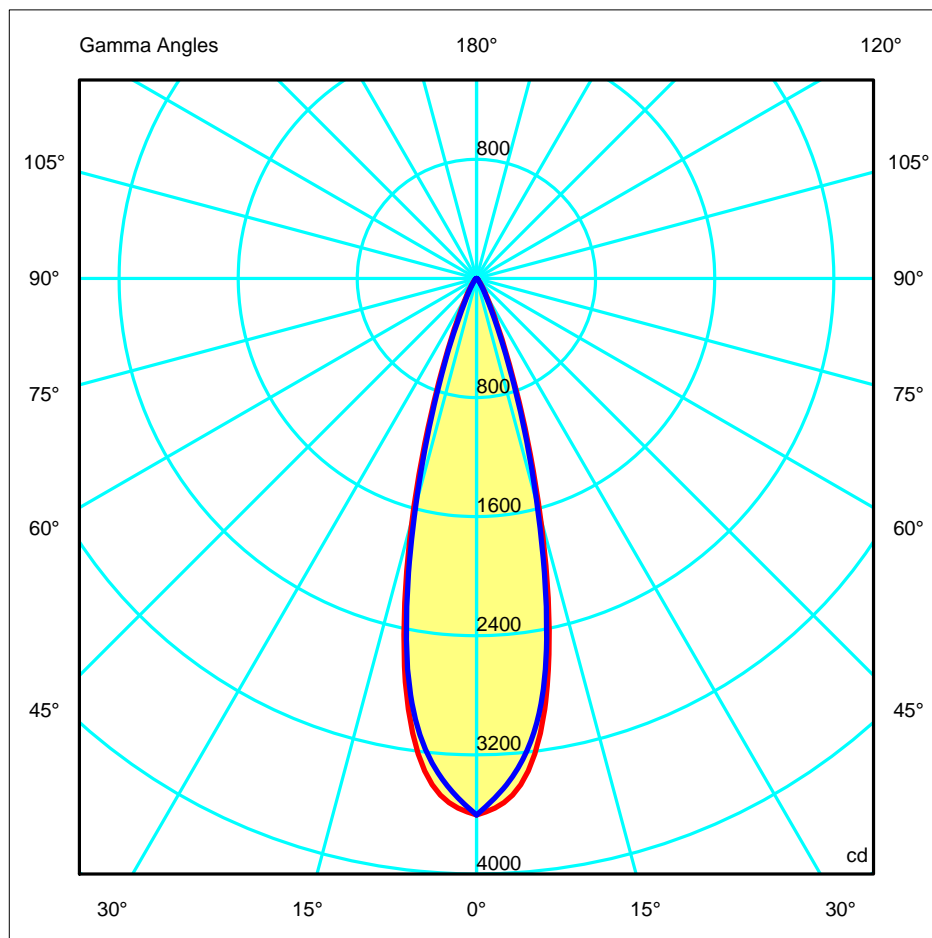
Diam=160mm



C Halfplanes

180.0 — 0.0
270.0 — 90.0

ULOR 0.00 %
DLOR 58.56 %
RN 0.00 %



Luminaire

Code 05-9850-34-CL 28°
 Name Projector HUBBLE 21W 28°
 Line Eulumat

Measur.

Code 05-9850-34-CL 28
 Name Projector HUBBLE 21W 28°
 Date 24-10-2014

Lamp

Code LED 9X2.3W 3000K
 Number 1
 Position

Efficiency 58.56%

Coordinate system CG

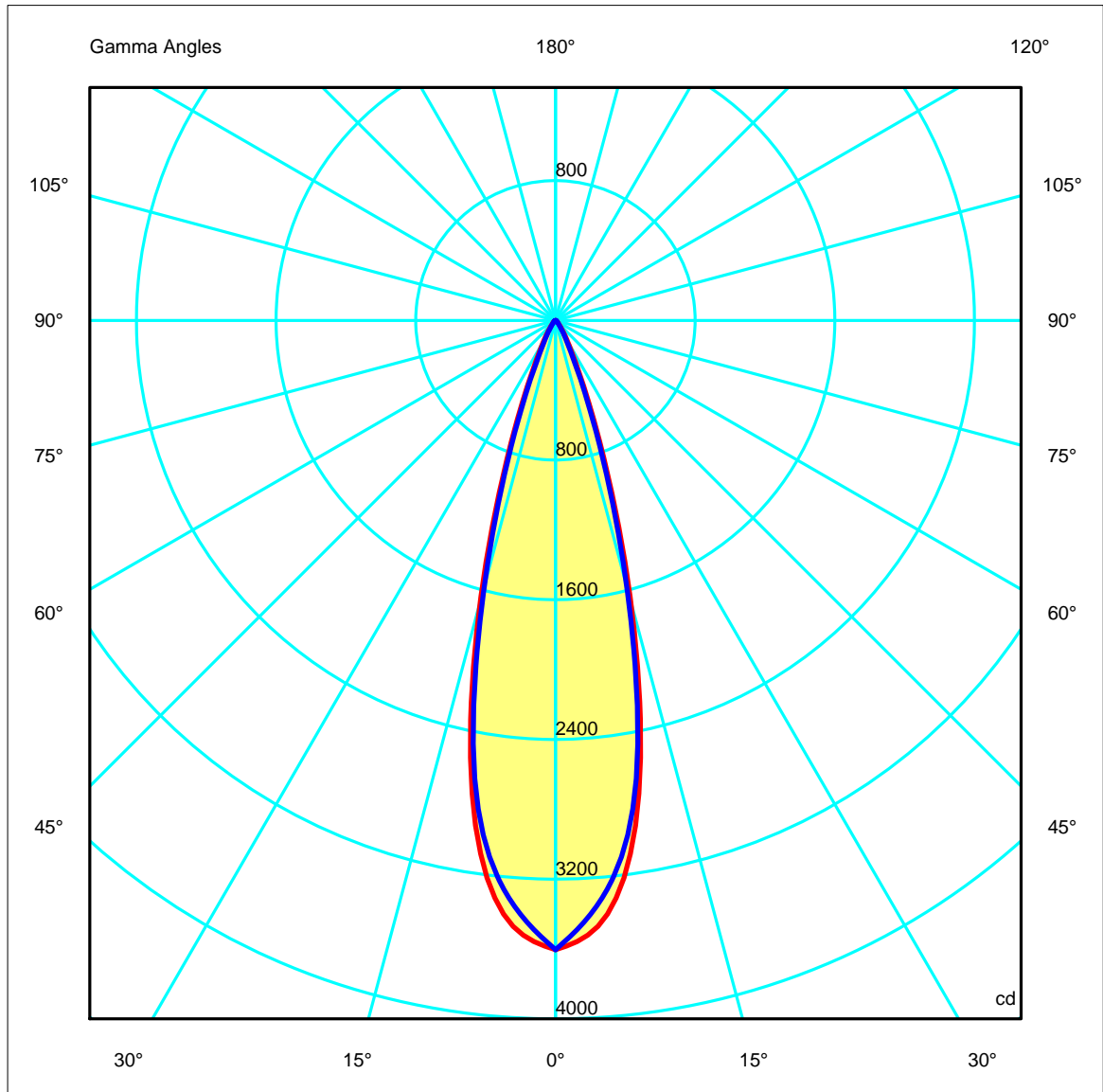
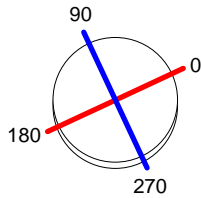
Total Flux 1620.00 lm

Diam=160mm

C Halfplanes

180.0 ————— 0.0

270.0 ————— 90.0



Luminaire	Measur.	Lamp
Code 05-9850-34-CL 28°	Code 05-9850-34-CL 28	Code LED 9X2.3W 3000K
Name Projector HUBBLE 21W 28°	Name Projector HUBBLE 21W 28°	Number 1
Line Eulumdat	Date 24-10-2014	Position

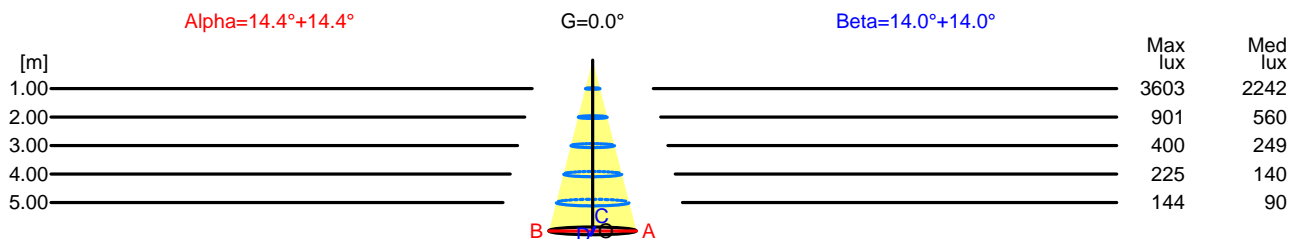
Efficiency 58.56%	Coordinate system CG	Total Flux 1620.00 lm
-------------------	----------------------	-----------------------

Width at 50.00 % of Max Intensity

	H[m]	1.00	2.00	3.00	4.00	5.00		H[m]	1.00	2.00	3.00	4.00	5.00
	OA	0.26	0.51	0.77	1.02	1.28		OC	0.25	0.50	0.75	1.00	1.25
	OB	0.26	0.51	0.77	1.02	1.28		OD	0.25	0.50	0.75	1.00	1.25

Luminous Intensities [cd]

	0	5	15	25	35	45	55	65	75	85
OA	3603.13	3412.95	1659.15	292.00	67.84	23.43	9.22	2.36	0.83	0.32
OB	3603.13	3412.95	1659.15	292.00	67.84	23.43	9.22	2.36	0.83	0.32
OC	3603.13	3286.97	1573.35	237.08	50.15	16.43	7.91	3.58	1.34	0.72
OD	3603.13	3286.97	1573.35	237.08	50.15	16.43	7.91	3.58	1.34	0.72



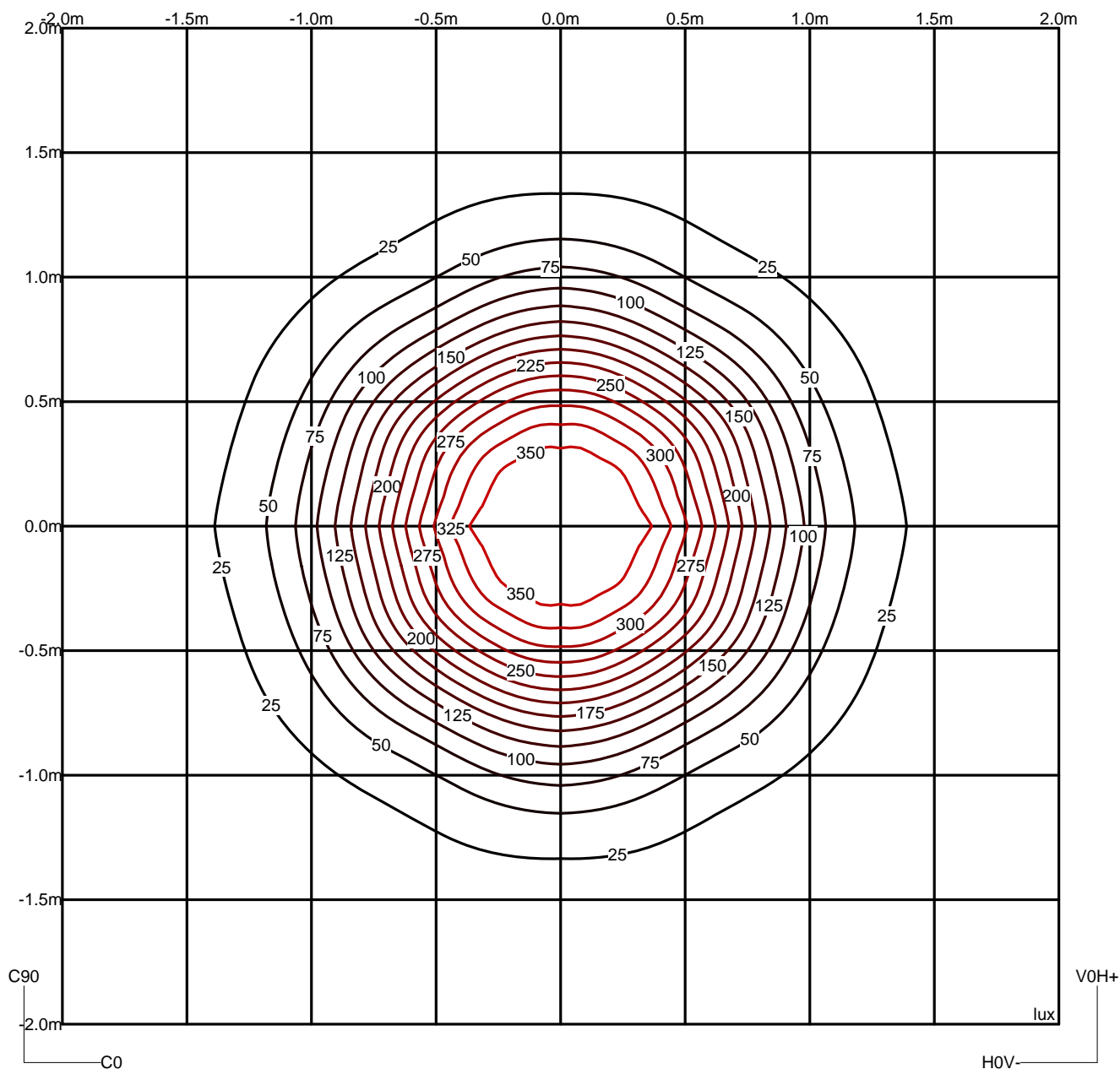
H[m]	D[m]	Max lux	Med lux	Alpha=14.4°+14.4°	G=0.0	
1.00	0.51	3603	2242			
2.00	1.02	901	560			
3.00	1.54	400	249			
4.00	2.05	225	140			
5.00	2.56	144	90			

H[m]	D[m]	Max lux	Med lux	Beta=14.0°+14.0°	G=0.0	
1.00	0.50	3603	2242			
2.00	1.00	901	560			
3.00	1.49	400	249			
4.00	1.99	225	140			
5.00	2.49	144	90			

Luminaire		Measuram.		Lamp	
Code	05-9850-34-CL 28°	Code	05-9850-34-CL 28	Code	LED 9X2.3W 3000K
Name	Projector HUBBLE 21W 28°	Name	Projector HUBBLE 21W 28°	Number	1
Line	Eulumdat	Date	24-10-2014	Position	
Efficiency	58.56%	Coordinate system	CG	Total Flux	1620.00 lm

Isolux (Floor)

Luminaire position X=0.00m Y=0.00m Z=3.00m



Luminaire

Code 05-9850-34-CL 28°
 Name Projector HUBBLE 21W 28°
 Line Eulumdat

Measur.

Code 05-9850-34-CL 28
 Name Projector HUBBLE 21W 28°
 Date 24-10-2014

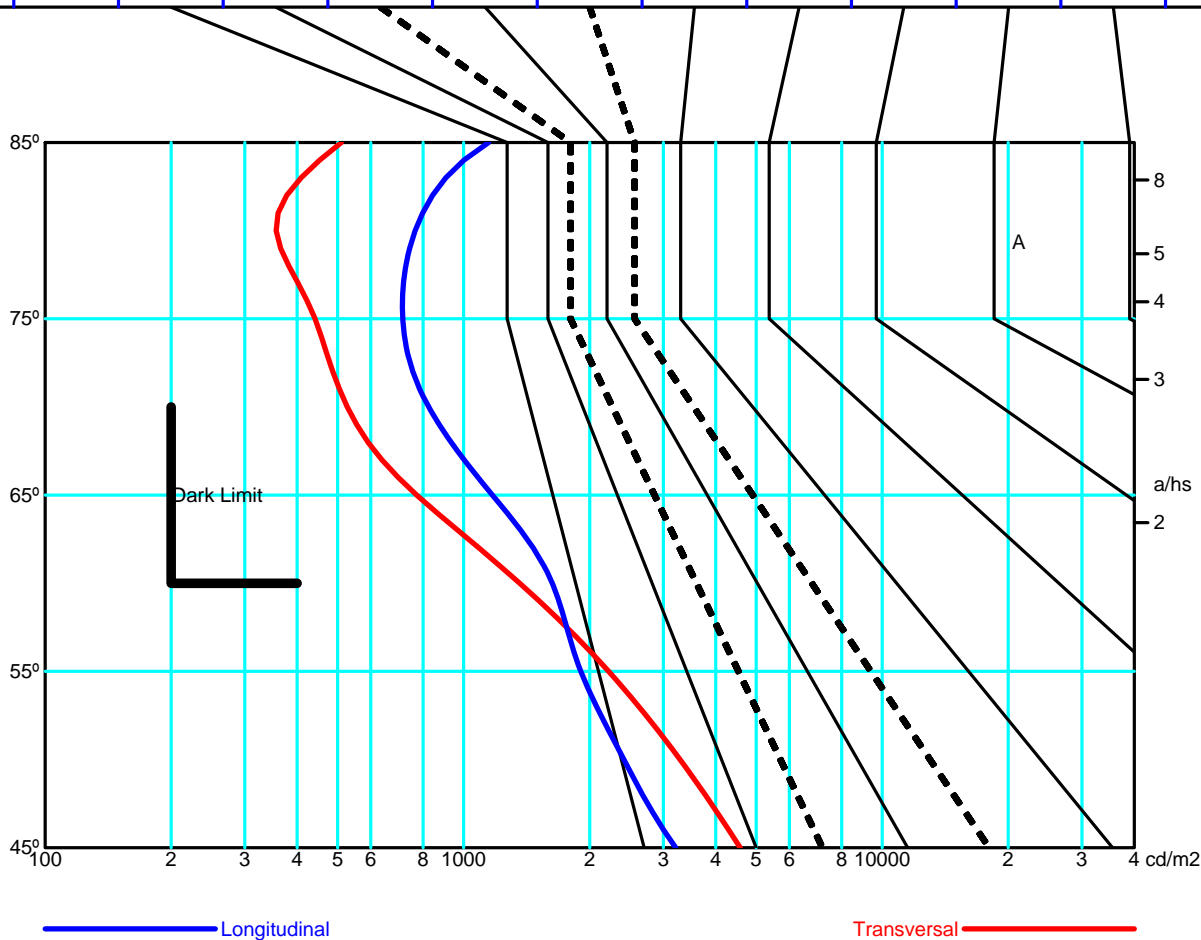
Lamp

Code LED 9X2.3W 3000K
 Number 1
 Position

Efficiency 58.56% Coordinate system CG Total Flux 1620.00 lm

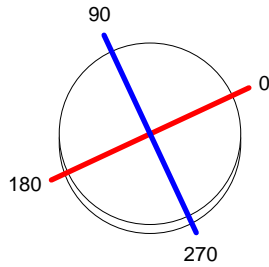
Average Luminance [cd/m ²]										
0.0°	45°	50°	55°	60°	65°	70°	75°	80°	85°	
0.0°	4579	3289	2220	1362	772	527	442	356	510	---
90.0°	3211	2415	1905	1629	1171	825	715	766	1147	---

Flush mounted or longitudinal view												
		Illumination(lx)										
A	A	2000	1000	750	500		<300					1.15
B	1		2000	1500	1000	750	500	<300				1.5
C					2000		1000	500	<300			1.85
D	2						2000	1000	500	<300		2.2
E	3							2000	1000	500	<300	2.55



Luminaire		Measur.		Lamp	
Code	05-9850-34-CL 28°	Code	05-9850-34-CL 28	Code	LED 9X2.3W 3000K
Name	Projector HUBBLE 21W 28°	Name	Projector HUBBLE 21W 28°	Number	1
Line	Eulumdat	Date	24-10-2014	Position	
Efficiency	58.56%	Coordinate system	CG	Total Flux	1620.00 lm

Diam=160mm



C Halfplanes

180.0 ———— 0.0
270.0 ———— 90.0



Luminaire		Measur.		Lamp	
Code	05-9850-34-CL 28°	Code	05-9850-34-CL 28	Code	LED 9X2.3W 3000K
Name	Proyector HUBBLE 21W 28°	Name	Proyector HUBBLE 21W 28°	Number	1
Line	Eulumdat	Date	24-10-2014	Position	
Efficiency	58.56%	Coordinate system	CG	Total Flux	1620.00 lm

UGR
S = 0.250

Reflectancies										
Ceiling/Cavity	0.7	0.7	0.5	0.5	0.3	0.7	0.7	0.5	0.5	0.3
Walls	0.5	0.3	0.5	0.3	0.3	0.5	0.3	0.5	0.3	0.3
WorkingPlane	0.2	0.2	0.2	0.2	0.2	0.2	0.2	0.2	0.2	0.2
RoomDimensions	ViewedCrosswise					ViewedEndwise				
x=2H y=2H	7.8	8.4	8.0	8.6	8.0	6.9	7.6	7.2	7.8	8.0
x=2H y=3H	7.7	8.3	8.0	8.6	8.1	7.0	7.6	7.3	7.9	8.1
x=2H y=4H	7.7	8.2	8.0	8.5	8.1	7.0	7.6	7.3	7.8	8.1
x=2H y=6H	7.6	8.1	8.0	8.4	8.2	7.1	7.6	7.4	7.9	8.2
x=2H y=8H	7.6	8.1	7.9	8.4	8.2	7.1	7.6	7.4	7.9	8.2
x=2H y=12H	7.6	8.1	7.9	8.3	8.2	7.2	7.6	7.5	7.9	8.2
x=4H y=2H	7.7	8.3	8.0	8.5	8.0	7.0	7.5	7.2	7.8	8.0
x=4H y=3H	7.7	8.2	8.0	8.5	8.2	7.1	7.6	7.4	7.9	8.2
x=4H y=4H	7.7	8.1	8.1	8.4	8.3	7.2	7.6	7.5	7.9	8.3
x=4H y=6H	7.7	8.0	8.1	8.4	8.4	7.3	7.6	7.7	8.0	8.4
x=4H y=8H	7.6	8.0	8.1	8.3	8.4	7.4	7.7	7.8	8.0	8.4
x=4H y=12H	7.6	7.9	8.1	8.3	8.5	7.5	7.7	7.9	8.1	8.5
x=8H y=4H	7.6	7.9	8.1	8.3	8.2	7.1	7.4	7.6	7.8	8.2
x=8H y=6H	7.6	7.8	8.1	8.3	8.4	7.3	7.5	7.7	7.9	8.4
x=8H y=8H	7.6	7.8	8.1	8.3	8.5	7.4	7.6	7.9	8.1	8.5
x=8H y=12H	7.6	7.8	8.1	8.2	8.7	7.6	7.8	8.1	8.2	8.7
x=12H y=4H	7.6	7.9	8.0	8.3	8.2	7.1	7.4	7.5	7.8	8.2
x=12H y=6H	7.6	7.8	8.1	8.2	8.4	7.3	7.5	7.7	7.9	8.4
x=12H y=8H	7.6	7.8	8.1	8.2	8.5	7.4	7.6	7.9	8.0	8.5

Luminaire

Code 05-9850-34-CL 28°
 Name Projector HUBBLE 21W 28°
 Line Eulumdat

Measur.

Code 05-9850-34-CL 28
 Name Projector HUBBLE 21W 28°
 Date 24-10-2014

Lamp

Code LED 9X2.3W 3000K
 Number 1
 Position

Efficiency 58.56% Coordinate system CG Total Flux 1620.00 lm

Total Flux=1620.00 Luminaire Flux=948.70

RI	0.60	0.80	1.00	1.25	1.50	2.00	2.50	3.00	4.00	5.00	10.00	20.00
DRR	0.72	0.77	0.81	0.85	0.87	0.92	0.95	0.97	0.99	1.00	1.01	1.02
RC	-	-	-	-	-	-	-	-	-	-	-	-

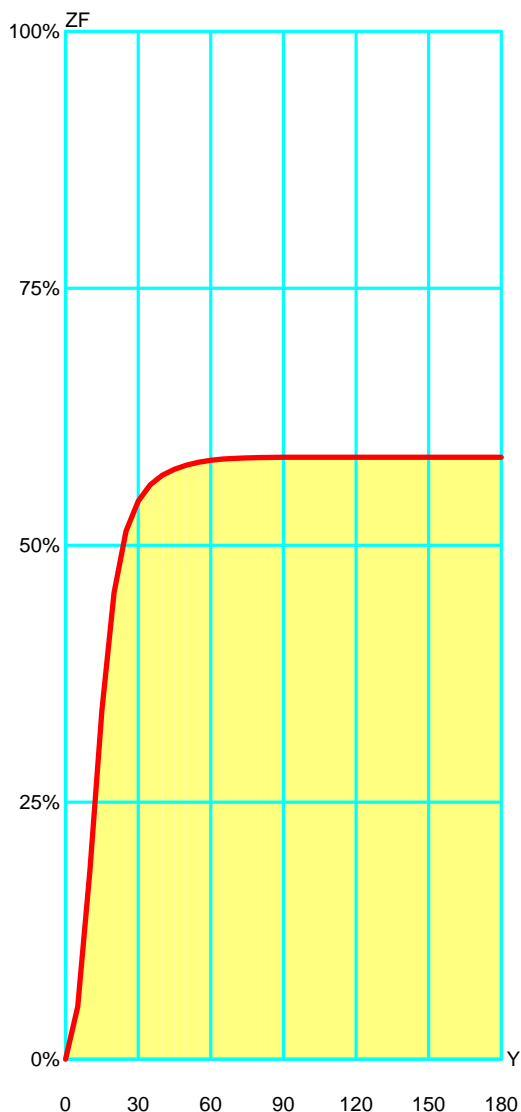
Zonal Flux per 1000 Lumen

Y°	10	20	30	40	50	60	70	80	90	100	110	120	130	140	150	160	170	180
ZF(Y)	183	454	543	568	578	583	585	585	586	586	586	586	586	586	586	586	586	586

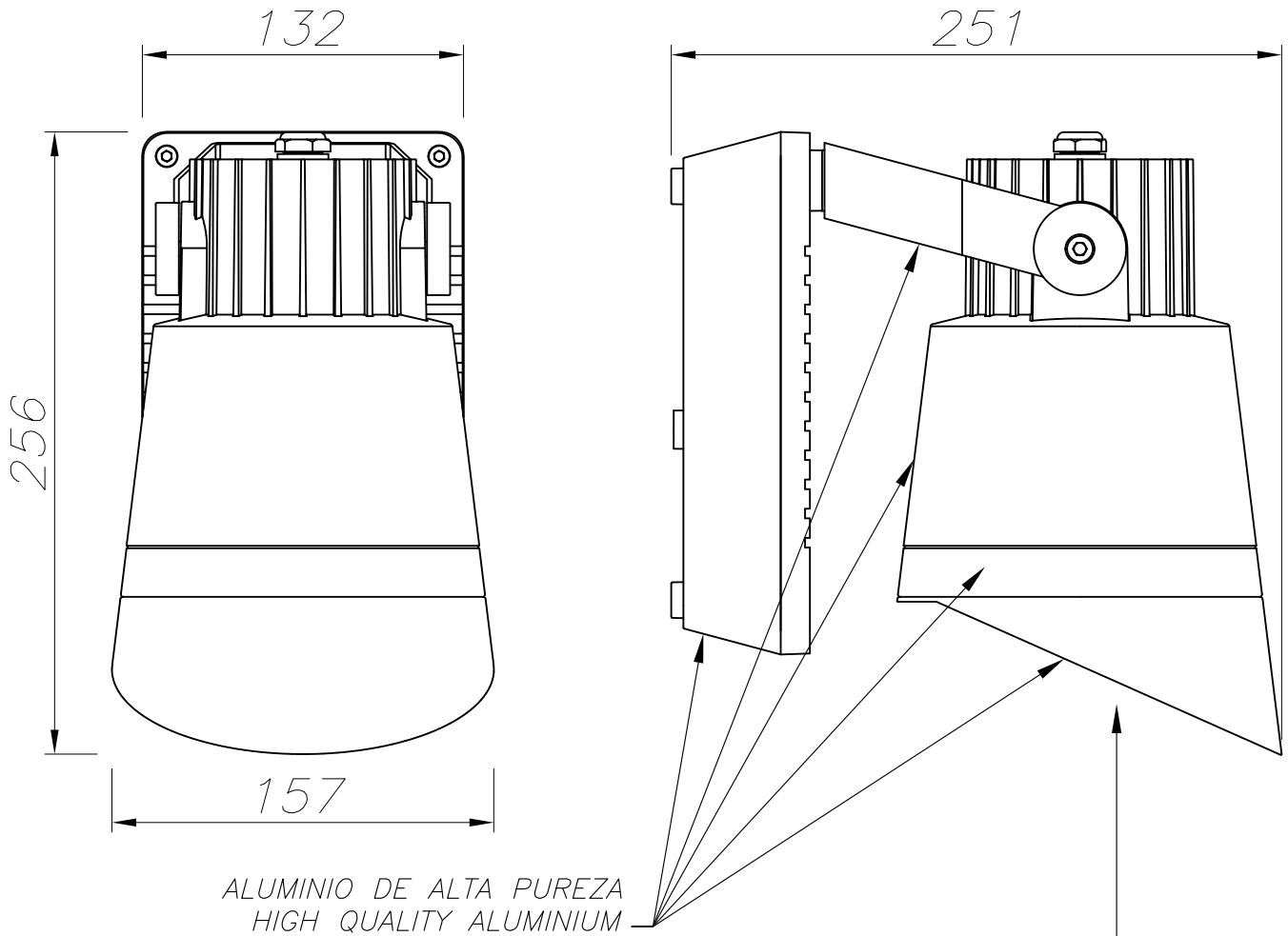
CIE Flux Codes

97 99 100 100 59

C.I.E.	-/-/-/-/-/-/-/-/-/-	LOR	58.56143 %
D DIN 5040	A60	ULOR	0.00000 %
F UTE	--	DLOR	58.56143 %
B NBN	BZ 1	UFF	0.00000 %
RN	0.00000 %	DFF	100.00000 %
BLF	1.0	FFR	0.00000 %

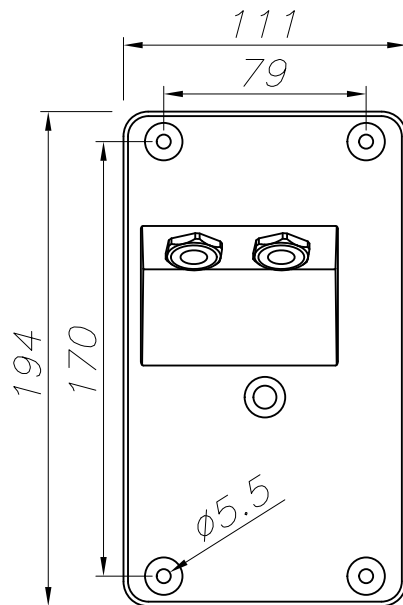


Zonal Flux				
Gamma °	Flux	Sum lm	Flux [%]	Sum [%]
0°	0.00	0.00	0.00%	0.00 %
5°	51.06	51.06	8.72 %	8.72 %
10°	132.29	183.35	22.59 %	31.31 %
15°	155.89	339.24	26.62 %	57.93 %
20°	114.58	453.82	19.57 %	77.49 %
25°	59.97	513.79	10.24 %	87.74 %
30°	29.11	542.90	4.97 %	92.71 %
35°	15.96	558.86	2.73 %	95.43 %
40°	9.32	568.18	1.59 %	97.02 %
45°	5.81	573.99	0.99 %	98.02 %
50°	4.06	578.06	0.69 %	98.71 %
55°	2.78	580.84	0.48 %	99.18 %
60°	1.84	582.68	0.31 %	99.50 %
65°	1.18	583.86	0.20 %	99.70 %
70°	0.68	584.54	0.12 %	99.82 %
75°	0.42	584.96	0.07 %	99.89 %
80°	0.28	585.24	0.05 %	99.94 %
85°	0.21	585.45	0.04 %	99.97 %
90°	0.17	585.61	0.03 %	100.00 %
95°	0.00	585.61	0.00 %	100.00 %
100°	0.00	585.61	0.00 %	100.00 %
105°	0.00	585.61	0.00 %	100.00 %
110°	0.00	585.61	0.00 %	100.00 %
115°	0.00	585.61	0.00 %	100.00 %
120°	0.00	585.61	0.00 %	100.00 %
125°	0.00	585.61	0.00 %	100.00 %
130°	0.00	585.61	0.00 %	100.00 %
135°	0.00	585.61	0.00 %	100.00 %
140°	0.00	585.61	0.00 %	100.00 %
145°	0.00	585.61	0.00 %	100.00 %
150°	0.00	585.61	0.00 %	100.00 %
155°	0.00	585.61	0.00 %	100.00 %
160°	0.00	585.61	0.00 %	100.00 %
165°	0.00	585.61	0.00 %	100.00 %
170°	0.00	585.61	0.00 %	100.00 %
175°	0.00	585.61	0.00 %	100.00 %
180°	0.00	585.61	0.00 %	100.00 %



ALUMINIO DE ALTA PUREZA
HIGH QUALITY ALUMINIUM

CRISTAL TRANSPARENTE
TRANSPARENT GLASS



PLANTILLA DE INSTALACION
INSTALLATION TEMPLATE

