

AFRODITA Wall fixture

**Description**

Wall light for outdoor use.

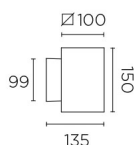
For uplighting and downlighting. Includes drainage holes on the front of the head to avoid water accumulation and maximise the light's useful life. Structure material: Aluminium. Structure finish: Urban grey. Diffuser material: Glass. Diffuser finish: Tempered. UV protection. Warranty: 5 Years.

Finish

Urban grey
Tempered

Material

Aluminium
Glass

**TECHNICAL CHARACTERISTICS****Light source**

Light source: LED LG
Output (W): 17.4W
Total power consumption (W): 21.6 W
Color temperature: LED warm-white
3000K
CRI: 80
Photobiological risk: RG2
Real Lumen: 1203
Qty Leds: 8
Lm/Real W: 56
Life Time: 50.000h L80B20
Bin / Grup: L32 o L14
MacAdam steps: 3
UGR: 3.6

GEAR

Brand: EAGLERISE
Gear included: Yes, electronic
Voltage / Frequency:
100-240Vac/50-60Hz
Power Factor: 0.90
Flickering: -

Luminaire

Double cable exit: No
Uv Protection: Yes
Warranty: 5 Years

Logistics

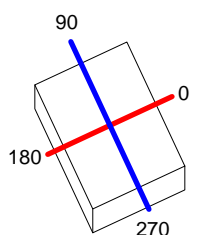
Energy Efficiency: LED A++
EAN Code: 8435381455880
Net Weight (Kg): 1.600
Weight in Kg (packaged): 1.775
Packing: 145 x 110 x 165
Masterbox: 4

The photograph may not match the reference exactly. Please read the product description to identify the finish.

Luminaire		Measur.		Lamp		
Code	05-9773	Code	05-9773	Code	11	
Name	WALL FIXUTRES	Name	WALL FIXUTRES	Number	8	
Line	Eulumdat	Date	04-06-2015	Position		
Efficiency	84.44%	Coordinate system	CG	Total Flux	1360.00 lm	
Maximum value	1956.98 cd	Position	C=0.00 G=2.00	Asymmetrical		
Rectangular Luminaire	Length	135 mm	Width	100 mm	Height	150 mm
Rectangular Luminous Area	Length	135 mm	Width	100 mm	Height	150 mm
Horizontal Luminous Area	0.013500 m2	Emitting area on Plane 180°		0.020250 m2		
Emitting area on Plane 0°	0.020250 m2	Emitting area on Plane 270°		0.015000 m2		
Emitting area on Plane 90°	0.015000 m2	Glare area at 76°		0.022914 m2		
Symmetry Type	Asymmetrical	Maximum Gamma Angle		180		
Measurement Distance	0.00	Measurement Flux		1360.00 lm		
Operator		Source voltage				
Temperature	25.00 °C	Source current				
Humidity	60.00 %	Photocell				
Notes						

Line		Luminaire Lamps			Flux [lm]	Pow. [W]	Q.ty
Eulumdat	Code	Name					
	11	11 - 2.67 W			170.00	2.67	8
C.I.E.	85 96 100 51 84		D DIN 5040	C61			
F UTE	0.43 A + 0.41 T		B NBN	BZ 1			

135mm x 100mm



C Halfplanes

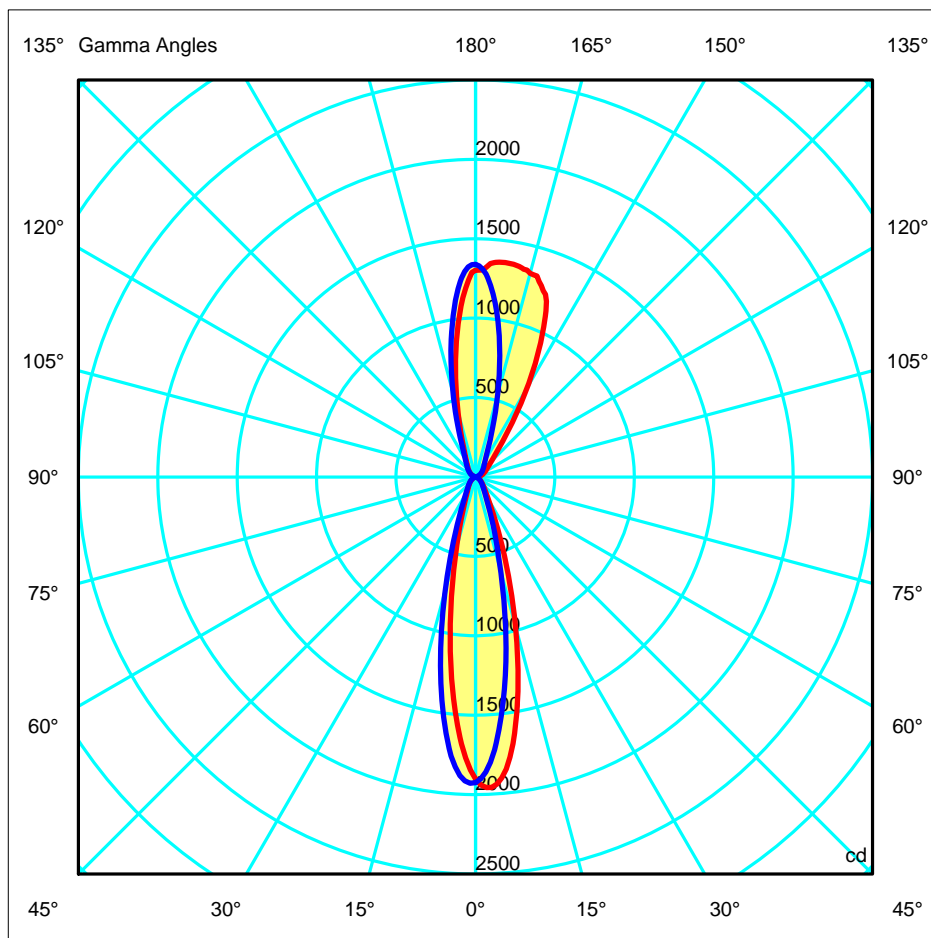
180.0 — 0.0

270.0 — 90.0

ULOR 41.32 %

DLOR 43.11 %

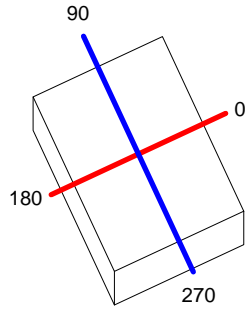
RN 48.94 %



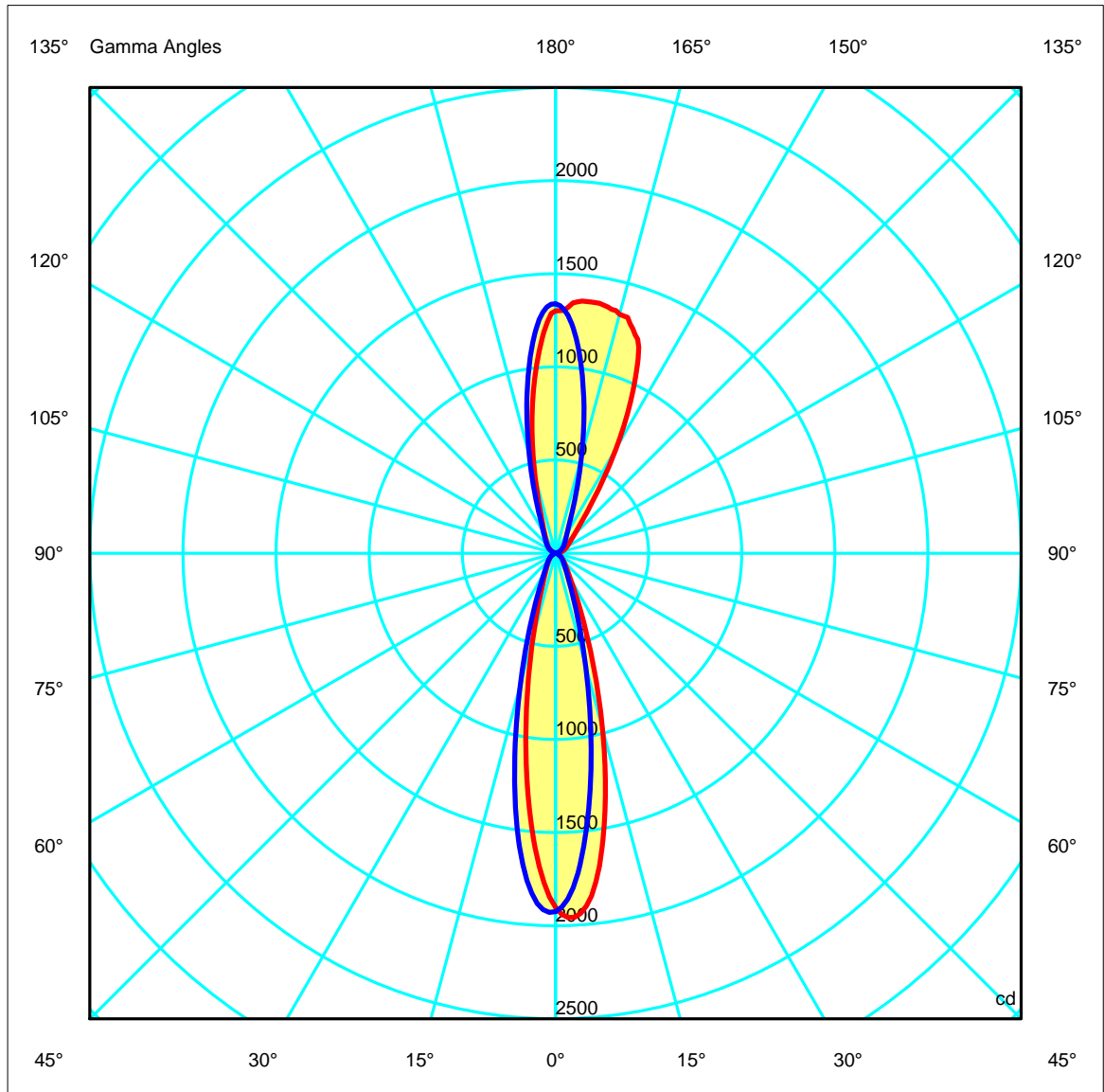
Luminaire		Measur.		Lamp	
Code	05-9773	Code	05-9773	Code	11
Name	WALL FIXUTRES	Name	WALL FIXUTRES	Number	8
Line	Eulumdat	Date	04-06-2015	Position	
Efficiency	84.44%	Coordinate system	CG	Total Flux	1360.00 lm

135mm x 100mm

C Halfplanes



180.0 ——— 0.0
 270.0 ——— 90.0



Luminaire

 Code 05-9773
 Name WALL FIXUTRES
 Line Eulumdat

Measur.

 Code 05-9773
 Name WALL FIXUTRES
 Date 04-06-2015

Lamp

 Code 11
 Number 8
 Position

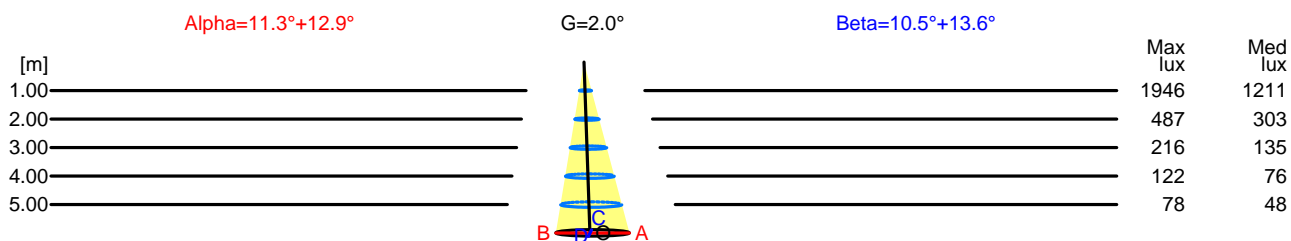
Efficiency	84.44%	Coordinate system	CG	Total Flux	1360.00 lm
------------	--------	-------------------	----	------------	------------

Width at 50.00 % of Max Intensity

H[m]	1.00	2.00	3.00	4.00	5.00	H[m]	1.00	2.00	3.00	4.00	5.00
OA	0.23	0.46	0.69	0.93	1.16	OC	0.19	0.37	0.56	0.74	0.93
OB	0.20	0.40	0.60	0.80	1.00	OD	0.24	0.48	0.73	0.97	1.21

Luminous Intensities [cd]

	0	5	15	25	35	45	55	65	75	85
OA	1900.79	1900.79	968.80	281.59	109.76	62.97	39.24	22.47	7.79	0.00
OB	1900.79	1476.92	468.70	142.40	76.88	48.70	29.91	13.91	1.01	0.00
OC	1923.86	1631.39	618.30	180.39	87.16	54.58	34.90	19.20	3.75	0.00
OD	1923.86	1763.26	729.66	197.10	88.41	53.87	33.36	18.02	3.03	0.00



H[m]	D[m]	Max lux	Med lux	Alpha=11.3°+12.9°	G=2.0
1.00	0.43	1946	1211		
2.00	0.86	487	303		
3.00	1.29	216	135		
4.00	1.72	122	76		
5.00	2.15	78	48		

H[m]	D[m]	Max lux	Med lux	Beta=13.6°+10.5°	G=0.0
1.00	0.43	1946	1211		
2.00	0.86	487	303		
3.00	1.28	216	135		
4.00	1.71	122	76		
5.00	2.14	78	48		

Luminaire
 Code 05-9773
 Name WALL FIXUTRES
 Line Eulumdat

Measur.
 Code 05-9773
 Name WALL FIXUTRES
 Date 04-06-2015

Lamp
 Code 11
 Number 8
 Position

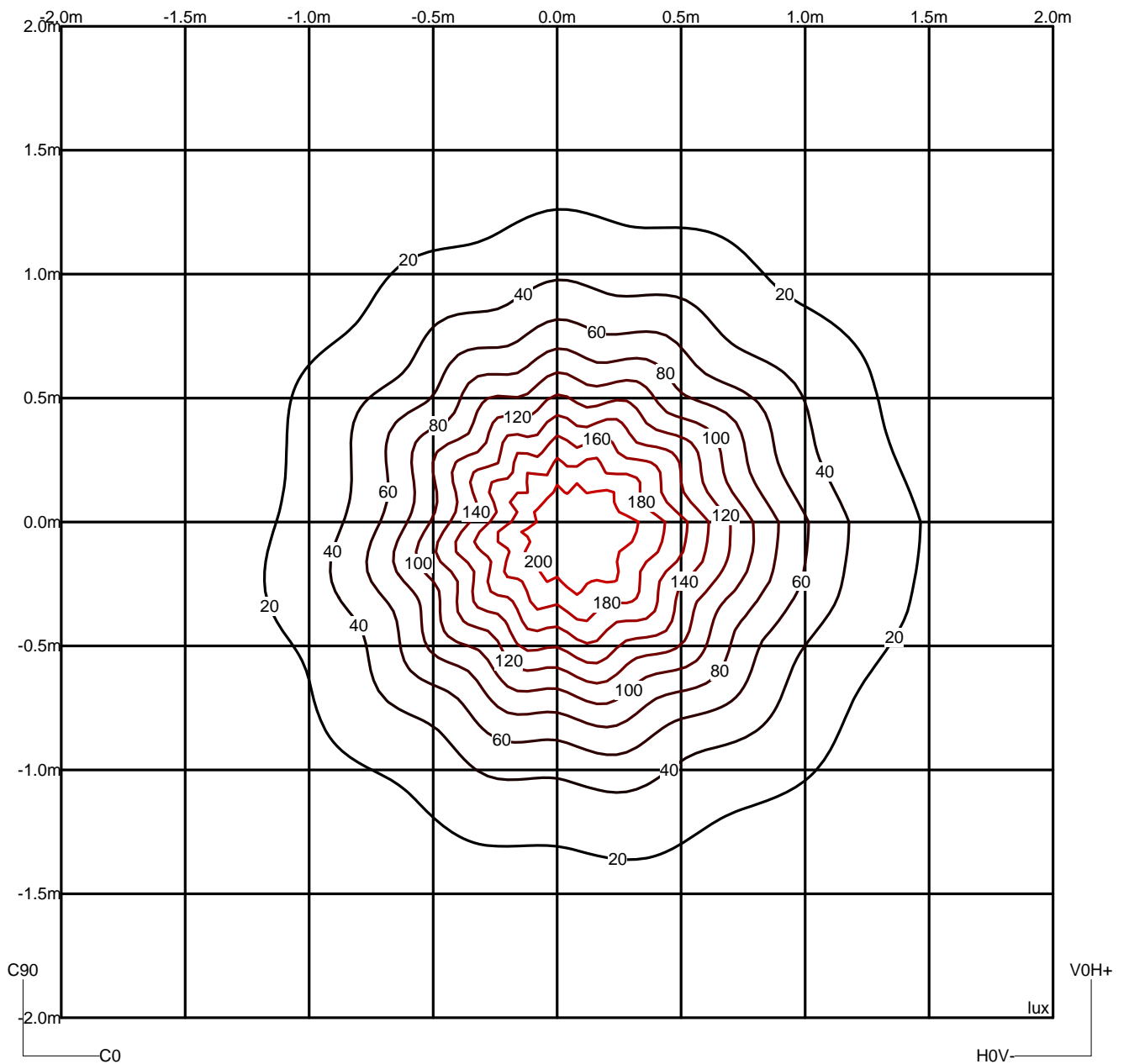
Efficiency 84.44%

Coordinate system CG

Total Flux 1360.00 lm

Isolux (Floor)

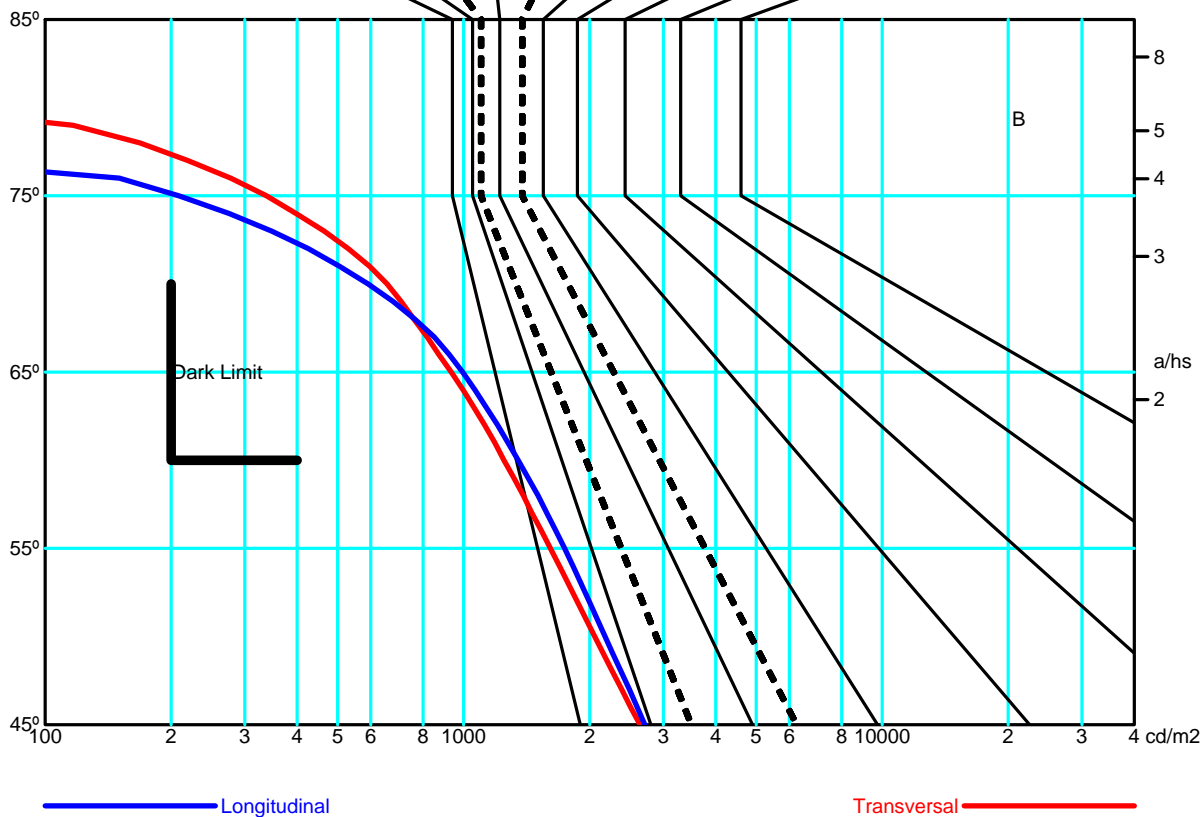
Luminaire position X=0.00m Y=0.00m Z=3.00m



Luminaire		Measur.		Lamp	
Code	05-9773	Code	05-9773	Code	11
Name	WALL FIXUTRES	Name	WALL FIXUTRES	Number	8
Line	Eulumdat	Date	04-06-2015	Position	
Efficiency	84.44%	Coordinate system	CG	Total Flux	1360.00 lm

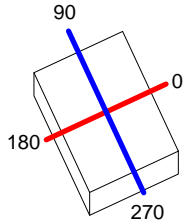
Average Luminance [cd/m ²]										
	0.0°	45°	50°	55°	60°	65°	70°	75°	80°	85°
	0.0°	2639	2055	1613	1248	934	656	338	74	0
	90.0°	2708	2173	1742	1350	995	591	209	11	0

Flush mounted or transversal view												
		Illumination(lx)										
A	A	2000	1000	750	500		<300					1.15
B	1		2000	1500	1000	750	500	<300				1.5
C					2000		1000	500	<300			1.85
D	2						2000	1000	500	<300		2.2
E	3							2000	1000	500	<300	2.55



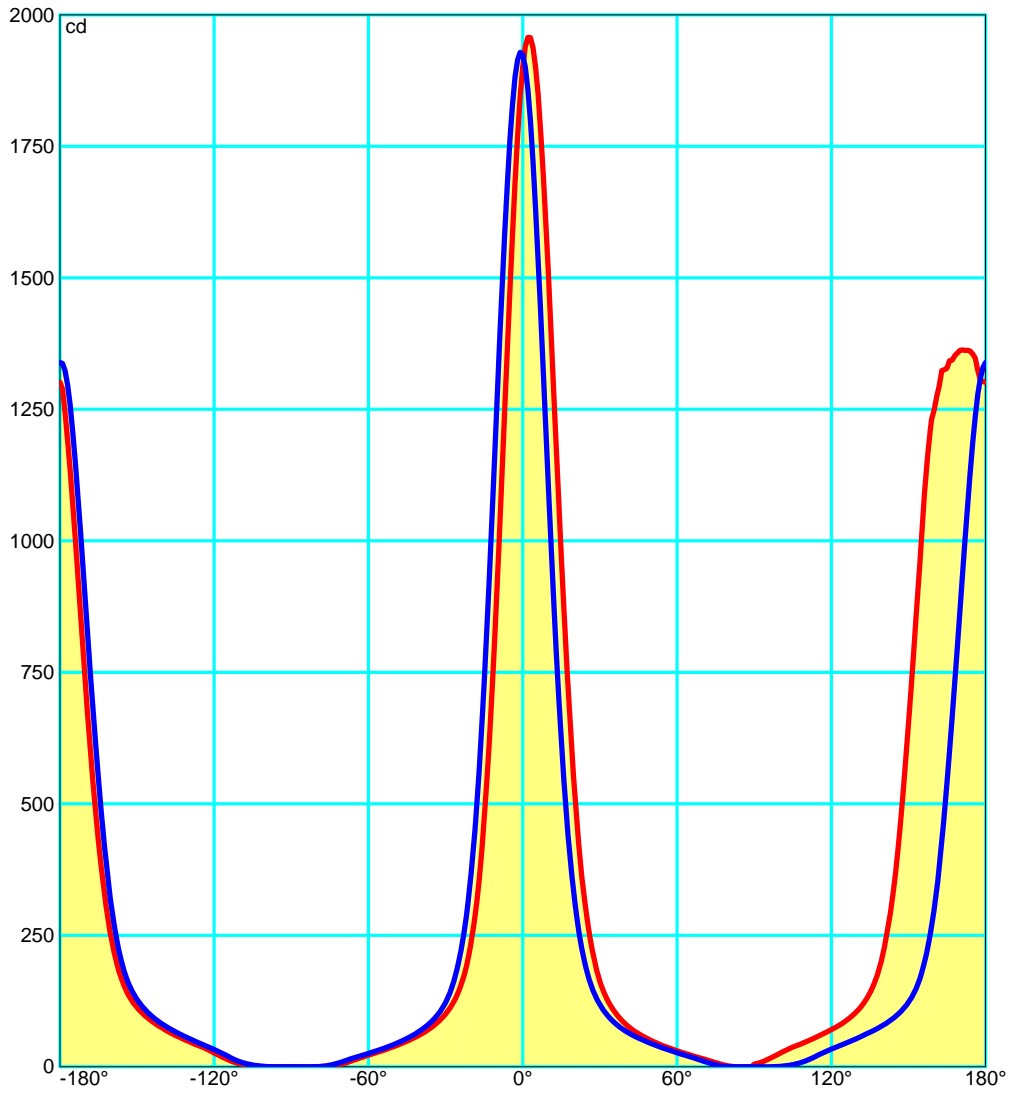
Luminaire		Measur.		Lamp	
Code	05-9773	Code	05-9773	Code	11
Name	WALL FIXUTRES	Name	WALL FIXUTRES	Number	8
Line	Eulumdat	Date	04-06-2015	Position	
Efficiency	84.44%	Coordinate system	CG	Total Flux	1360.00 lm

135mm x 100mm



C Halfplanes

180.0 ——— 0.0
 270.0 ——— 90.0



Luminaire		Measur.		Lamp	
Code	05-9773	Code	05-9773	Code	11
Name	WALL FIXUTRES	Name	WALL FIXUTRES	Number	8
Line	Eulumdat	Date	04-06-2015	Position	
Efficiency	84.44%	Coordinate system	CG	Total Flux	1360.00 lm

UGR
S = 0.250

Reflectancies										
Ceiling/Cavity	0.7	0.7	0.5	0.5	0.3	0.7	0.7	0.5	0.5	0.3
Walls	0.5	0.3	0.5	0.3	0.3	0.5	0.3	0.5	0.3	0.3
WorkingPlane	0.2	0.2	0.2	0.2	0.2	0.2	0.2	0.2	0.2	0.2
RoomDimensions	ViewedCrosswise					ViewedEndwise				
x=2H y=2H	6.0	6.6	6.9	7.5	9.7	7.2	7.8	8.0	8.7	9.7
x=2H y=3H	6.1	6.7	7.0	7.6	10.1	7.5	8.1	8.4	9.0	10.1
x=2H y=4H	6.0	6.5	6.9	7.4	10.0	7.5	8.0	8.4	8.9	10.0
x=2H y=6H	5.8	6.3	6.8	7.2	9.9	7.3	7.8	8.3	8.7	9.9
x=2H y=8H	5.8	6.2	6.7	7.2	9.8	7.3	7.7	8.2	8.6	9.8
x=2H y=12H	5.7	6.1	6.6	7.1	9.7	7.2	7.6	8.1	8.5	9.7
x=4H y=2H	6.1	6.6	7.0	7.5	9.8	7.2	7.8	8.1	8.6	9.8
x=4H y=3H	6.3	6.7	7.2	7.6	10.2	7.6	8.1	8.6	9.0	10.2
x=4H y=4H	6.1	6.5	7.1	7.5	10.1	7.6	7.9	8.5	8.9	10.1
x=4H y=6H	6.0	6.3	7.0	7.3	10.0	7.4	7.8	8.4	8.7	10.0
x=4H y=8H	5.9	6.2	6.9	7.2	9.9	7.4	7.7	8.4	8.6	9.9
x=4H y=12H	5.8	6.1	6.8	7.1	9.8	7.3	7.5	8.3	8.5	9.8
x=8H y=4H	6.0	6.3	7.0	7.2	9.9	7.4	7.7	8.4	8.7	9.9
x=8H y=6H	5.8	6.1	6.8	7.0	9.8	7.3	7.5	8.3	8.5	9.8
x=8H y=8H	5.7	5.9	6.8	6.9	9.7	7.2	7.4	8.2	8.4	9.7
x=8H y=12H	5.7	5.8	6.7	6.8	9.6	7.1	7.3	8.2	8.3	9.6
x=12H y=4H	5.9	6.2	6.9	7.1	9.9	7.4	7.6	8.4	8.6	9.9
x=12H y=6H	5.7	5.9	6.8	6.9	9.7	7.2	7.4	8.2	8.4	9.7
x=12H y=8H	5.7	5.8	6.7	6.8	9.6	7.1	7.3	8.2	8.3	9.6

Luminaire		Measur.		Lamp	
Code	05-9773	Code	05-9773	Code	11
Name	WALL FIXUTRES	Name	WALL FIXUTRES	Number	8
Line	Eulumdat	Date	04-06-2015	Position	
Efficiency	84.44%	Coordinate system	CG	Total Flux	1360.00 lm

Total Flux=1360.00 Luminaire Flux=1148.32

RI	0.60	0.80	1.00	1.25	1.50	2.00	2.50	3.00	4.00	5.00	10.00	20.00
DRR	0.61	0.67	0.73	0.77	0.81	0.87	0.90	0.93	0.95	0.97	0.99	1.01
RC	-	-	-	-	-	-	-	-	-	-	-	-

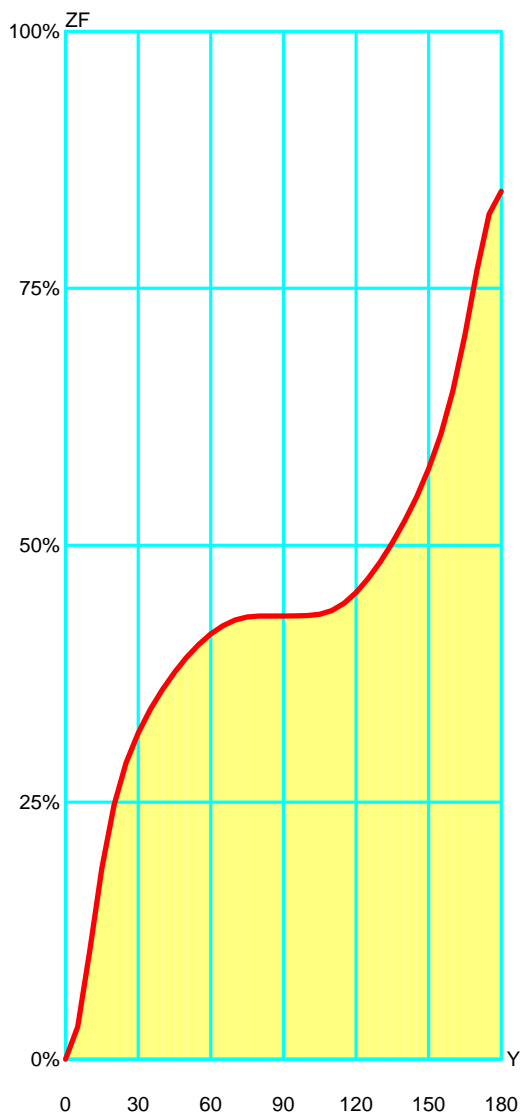
Zonal Flux per 1000 Lumen

Y°	10	20	30	40	50	60	70	80	90	100	110	120	130	140	150	160	170	180
ZF(Y)	106	247	317	360	391	414	427	431	431	432	436	454	484	523	574	650	768	844

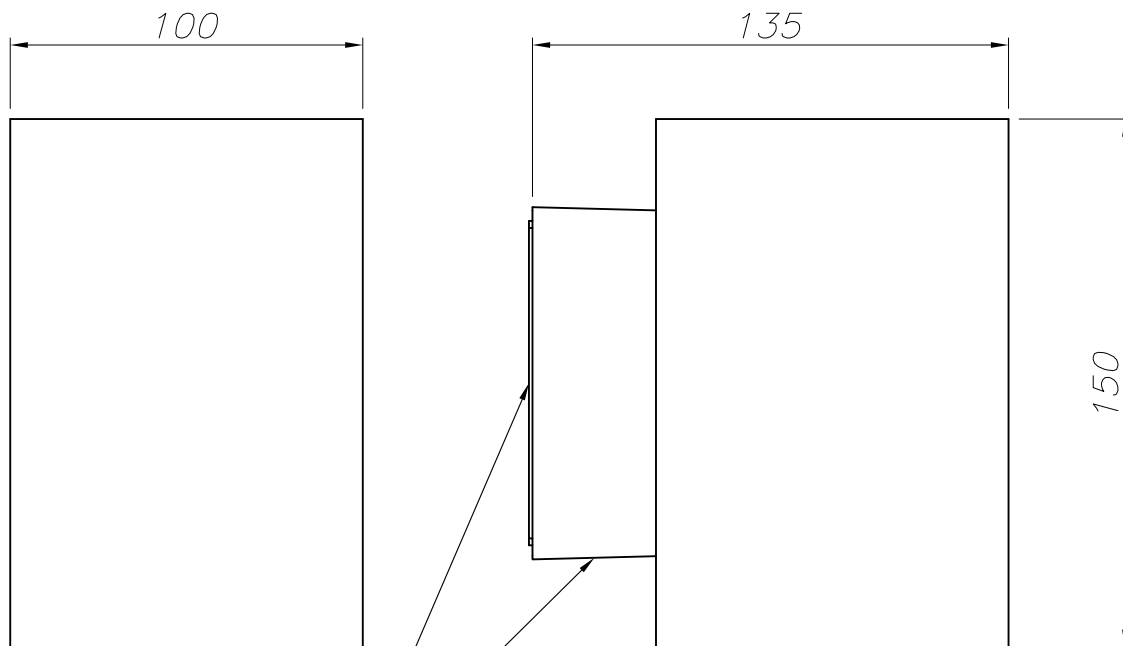
CIE Flux Codes

85 96 100 51 84

C.I.E.	-/-/-/-/-/-/-/-/-/-	LOR	84.43519 %
D DIN 5040	C61	ULOR	41.32094 %
F UTE	0.43 A + 0.41 T	DLOR	43.11425 %
B NBN	BZ 1	UFF	48.93805 %
RN	48.93805 %	DFF	51.06195 %
BLF	1.0	FFR	95.84055 %

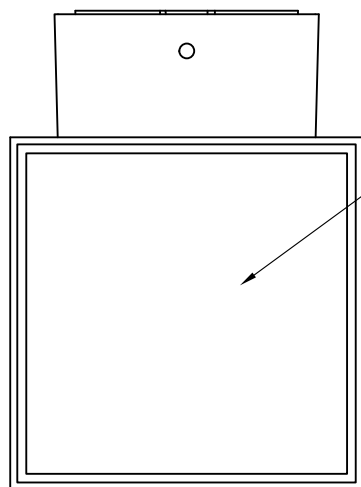


Zonal Flux				
Gamma °	Flux	Sum lm	Flux [%]	Sum [%]
0°	0.00	0.00	0.00%	0.00 %
5°	31.55	31.55	3.74 %	3.74 %
10°	74.79	106.34	8.86 %	12.59 %
15°	79.75	186.08	9.44 %	22.04 %
20°	61.18	247.27	7.25 %	29.28 %
25°	41.17	288.44	4.88 %	34.16 %
30°	28.91	317.35	3.42 %	37.58 %
35°	22.81	340.16	2.70 %	40.29 %
40°	19.35	359.51	2.29 %	42.58 %
45°	16.83	376.34	1.99 %	44.57 %
50°	14.64	390.98	1.73 %	46.30 %
55°	12.48	403.46	1.48 %	47.78 %
60°	10.26	413.72	1.22 %	49.00 %
65°	7.98	421.69	0.94 %	49.94 %
70°	5.56	427.25	0.66 %	50.60 %
75°	2.98	430.22	0.35 %	50.95 %
80°	0.86	431.09	0.10 %	51.06 %
85°	0.05	431.13	0.01 %	51.06 %
90°	0.01	431.14	0.00 %	51.06 %
95°	0.14	431.29	0.02 %	51.08 %
100°	0.36	431.65	0.04 %	51.12 %
105°	1.29	432.94	0.15 %	51.27 %
110°	3.52	436.46	0.42 %	51.69 %
115°	6.99	443.46	0.83 %	52.52 %
120°	10.61	454.06	1.26 %	53.78 %
125°	13.60	467.66	1.61 %	55.39 %
130°	16.16	483.82	1.91 %	57.30 %
135°	18.55	502.37	2.20 %	59.50 %
140°	20.90	523.27	2.48 %	61.97 %
145°	23.65	546.92	2.80 %	64.77 %
150°	27.49	574.41	3.26 %	68.03 %
155°	33.21	607.62	3.93 %	71.96 %
160°	42.35	649.98	5.02 %	76.98 %
165°	54.57	704.54	6.46 %	83.44 %
170°	63.10	767.64	7.47 %	90.91 %
175°	54.51	822.15	6.46 %	97.37 %
180°	22.20	844.35	2.63 %	100.00 %

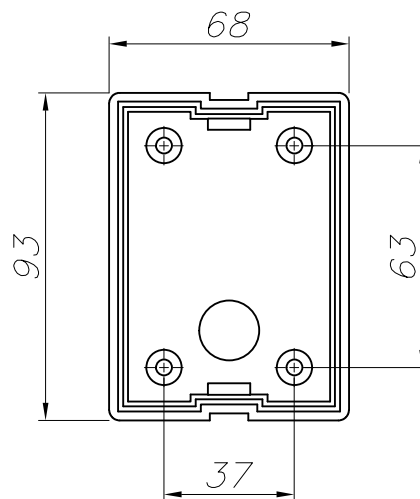


ALUMINIO INYECTADO
INJECTED ALUMINIUM

ALUMINIO EXTRUDIDO
EXTRUDED ALUMINIUM

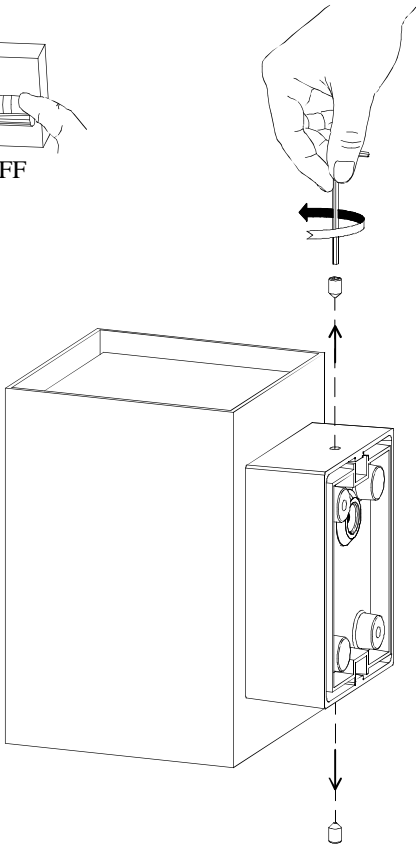
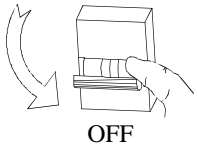


CRISTAL TRANSPARENTE
TRANSPARENT GLASS

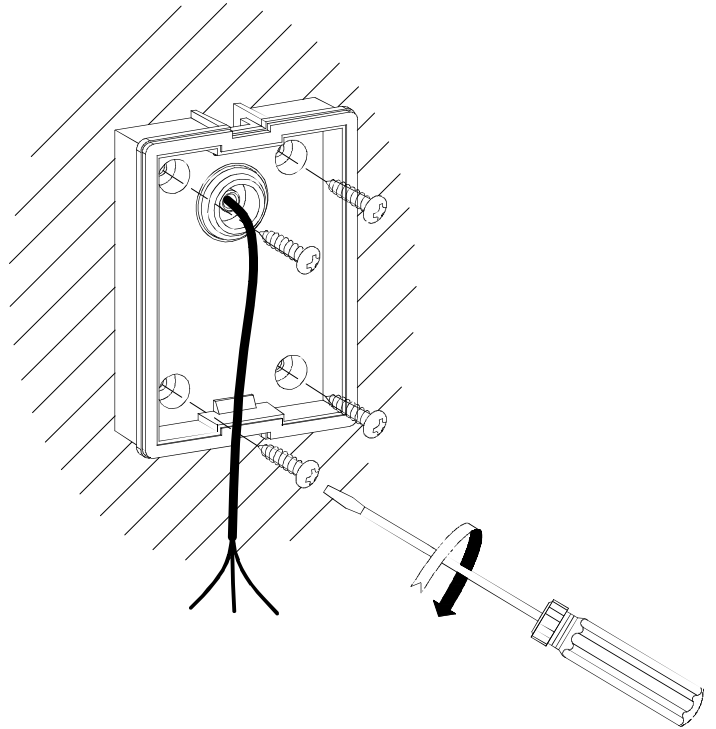


PLANTILLA DE INSTALACION
INSTALLATION TEMPLATE

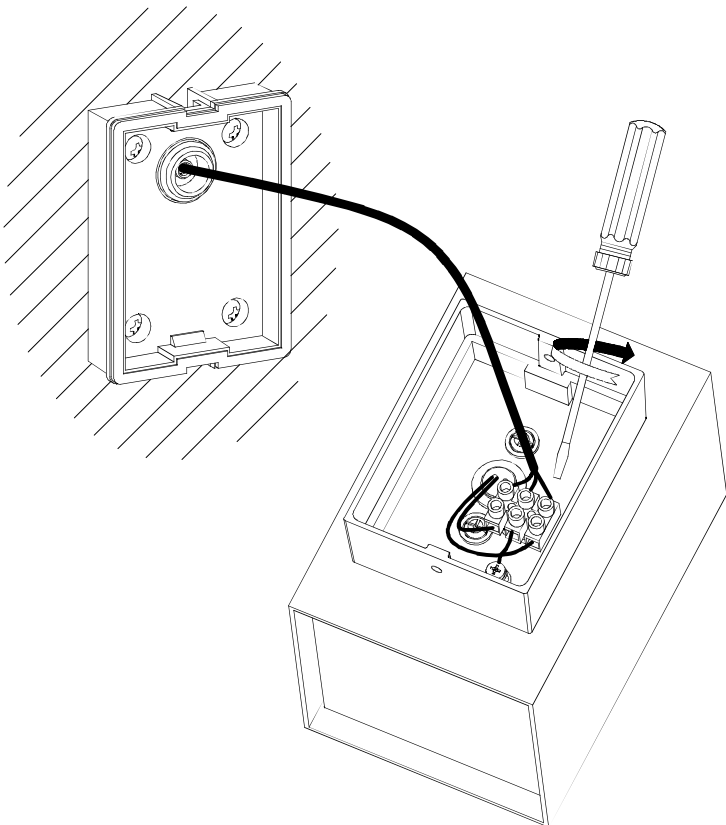
①



②



③



④

