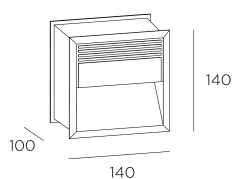


## Micenas Path Square 05-9770-34-M2

Leds C4 Team

Recessed wall lighting IP65 Micenas Path Square LED 2W 4000K Grey 20lm

### TECHNICAL FEATURES



IP65 IK10



Power (W) : 2W

Total power consumption of light (W) : 2W

Real lumens : 20

Real lm/W : 10

Colour temperature : LED neutral-white 4000K

Lens / reflector angle : FLOOD 57°

Structure material : Aluminium

Structure finish : Grey

Diffuser material : Polycarbonate

Diffuser finish : Transparent

Useful life : 50.000h L80B20

Equipment included : Yes, electronic

Voltage / frequency : 220-240V/50-60Hz

Warranty : 2 Years

Max. temperature : 25°C

Energy efficiency : LED A++

### LUMINOTECHNIC FEATURES

Light source: LED

CRI: 70

MacAdam steps: 3

Photobiological risk: RG0

### LOGISTICS

Net weight (kg): 0.54

Packaged weight (kg): 0.62

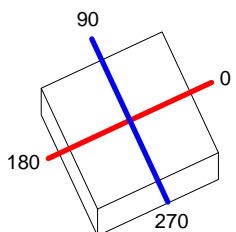
Packaging: 145mm x 105mm x 145mm



<b>Luminaire</b>		<b>Measur.</b>		<b>Lamp</b>		
Code	05-9770	Code	05-9770	Code	G02501	
Name	RECESSED	Name	RECESSED	Number	1	
Line	MICENAS	Date	29-06-2013	Position		
Efficiency	99.98%	Coordinate system	CG	Total Flux	19.71 lm	
Maximum value	16.59 cd	Position	C=0.00 G=70.00	Asymmetrical		
Rectangular Luminaire	Length	1 mm	Width	1 mm	Height	1 mm
Rectangular Luminous Area	Length	1 mm	Width	1 mm	Height	0 mm
Horizontal Luminous Area	0.000001 m2	Emitting area on Plane 180°		0.000000 m2		
Emitting area on Plane 0°	0.000000 m2	Emitting area on Plane 270°		0.000000 m2		
Emitting area on Plane 90°	0.000000 m2	Glare area at 76°		0.000000 m2		
Symmetry Type	Asymmetrical	Maximum Gamma Angle		90		
Measurement Distance	0.00	Measurement Flux		19.71 lm		
Operator		Source voltage				
Temperature	25.00 °C	Source current				
Humidity	60.00 %	Photocell				
Notes						

Luminaire Lamps						
Line	Code	Name	Flux [lm]	Pow. [W]	Q.ty	
IESNA-1995	G02501	Ed-á 3528 - 0.60 W	19.71	0.60	1	
C.I.E.	22 48 83 100 100	D DIN 5040	A10			
F UTE	1.00 J	B NBN	BZ 9 / 0.8 / BZ 8 / 2.5 / BZ 7			

1mm x 1mm



**C Halfplanes**

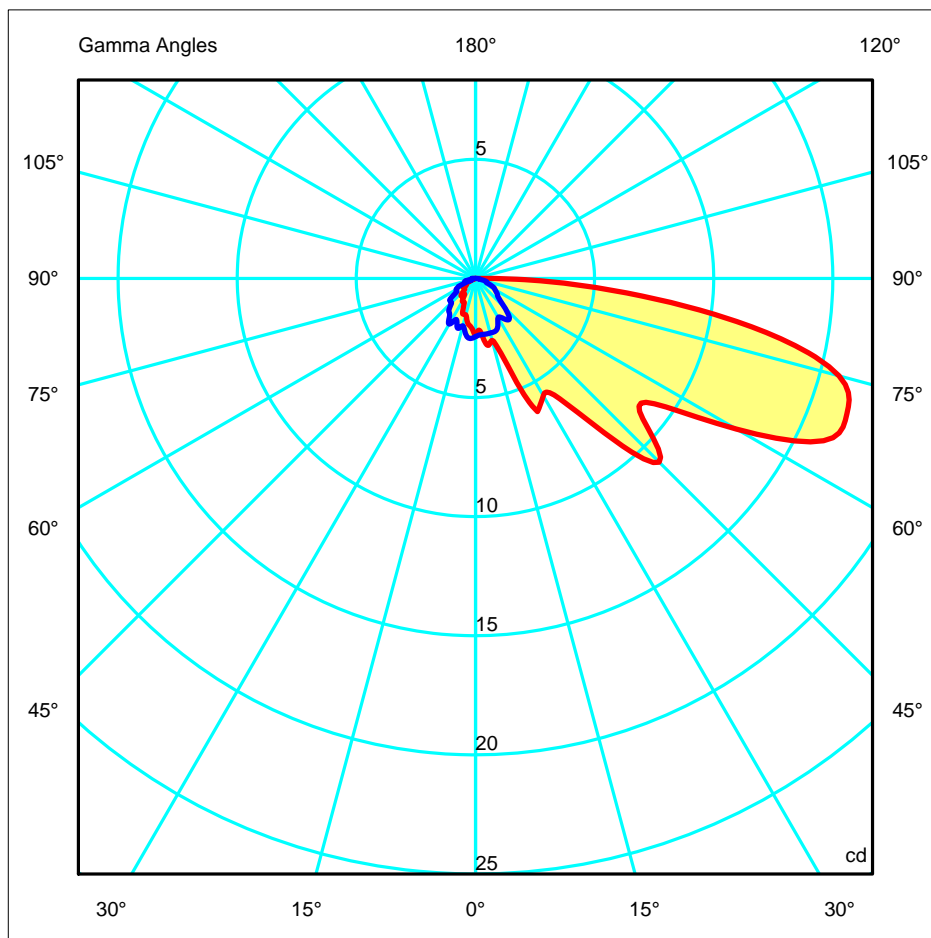
180.0 — 0.0

270.0 — 90.0

ULOR 0.00 %

DLOR 99.98 %

RN 0.00 %



**Luminaire**  
 Code 05-9770  
 Name RECESSED  
 Line MICENAS

**Measur.**  
 Code 05-9770  
 Name RECESSED  
 Date 29-06-2013

**Lamp**  
 Code G02501  
 Number 1  
 Position

Efficiency 99.98%

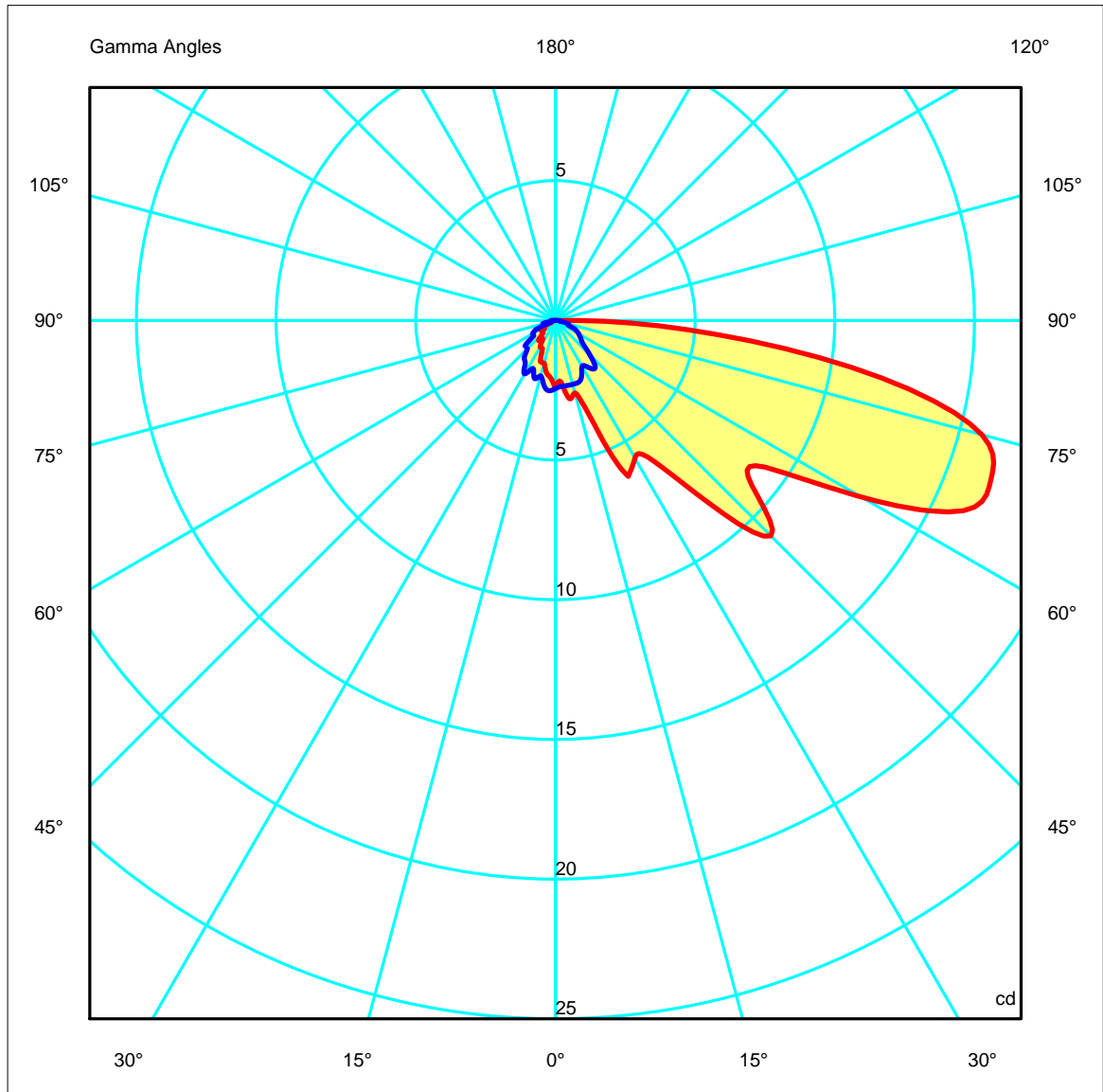
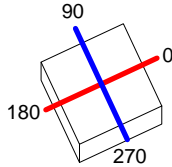
Coordinate system CG

Total Flux 19.71 lm

1mm x 1mm

C Halfplanes

180.0 ———— 0.0  
 270.0 ———— 90.0



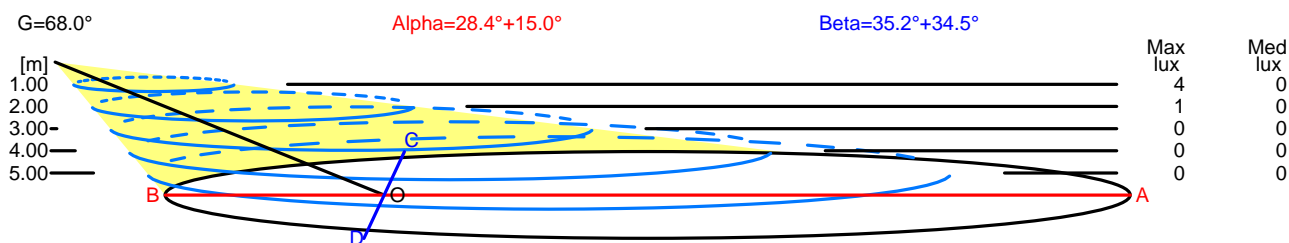
<b>Luminaire</b>		<b>Measur.</b>		<b>Lamp</b>	
Code	05-9770	Code	05-9770	Code	G02501
Name	RECESSED	Name	RECESSED	Number	1
Line	MICENAS	Date	29-06-2013	Position	
Efficiency	99.98%	Coordinate system	CG	Total Flux	19.71 lm

Width at 50.00 % of MaxLux

H[m]	1.00	2.00	3.00	4.00	5.00	H[m]	1.00	2.00	3.00	4.00	5.00
OA	5.61	11.22	16.84	22.45	28.06	OC	1.88	3.77	5.65	7.53	9.41
OB	1.65	3.29	4.94	6.59	8.23	OD	1.84	3.67	5.51	7.35	9.19

Luminous Intensities [ cd]

	0	5	15	25	35	45	55	65	75	85
OA	2.43	2.21	2.69	6.16	6.16	10.90	9.16	16.12	15.80	5.85
OB	2.43	2.05	1.58	1.11	0.79	0.63	0.47	0.16	0.16	0.16
OC	2.43	2.37	2.37	2.21	2.05	1.74	1.11	0.79	0.47	0.16
OD	2.43	2.53	2.05	1.90	1.90	1.42	0.95	0.79	0.47	0.16



H[m]	D[m]	Max lux	Med lux	Alpha=28.4°+15.0°	G=68.0
1.00	7.26	4	0		
2.00	14.52	1	0		
3.00	21.78	0	0		
4.00	29.03	0	0		
5.00	36.29	0	0		

H[m]	D[m]	Max lux	Med lux	Beta=34.5°+35.2°	G=0.0
1.00	3.72	4	0		
2.00	7.44	1	0		
3.00	11.16	0	0		
4.00	14.88	0	0		
5.00	18.60	0	0		

**Luminaire**  
 Code 05-9770  
 Name RECESSED  
 Line MICENAS

**Measuram.**  
 Code 05-9770  
 Name RECESSED  
 Date 29-06-2013

**Lamp**  
 Code G02501  
 Number 1  
 Position

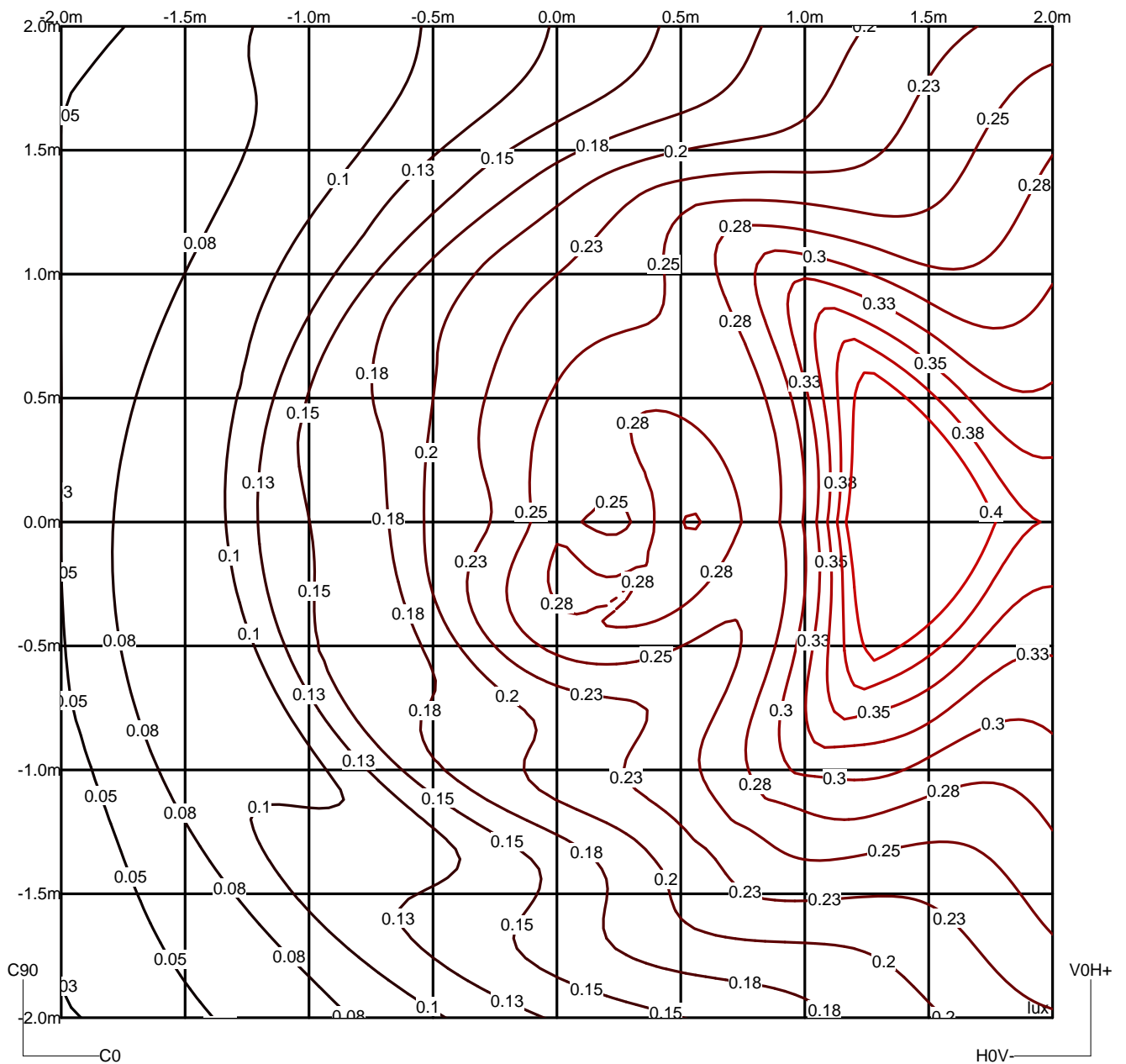
Efficiency 99.98%

Coordinate system CG

Total Flux 19.71 lm

Isolux (Floor)

Luminaire position X=0.00m Y=0.00m Z=3.00m



**Luminaire**  
 Code 05-9770  
 Name RECESSED  
 Line MICENAS

**Measur.**  
 Code 05-9770  
 Name RECESSED  
 Date 29-06-2013

**Lamp**  
 Code G02501  
 Number 1  
 Position

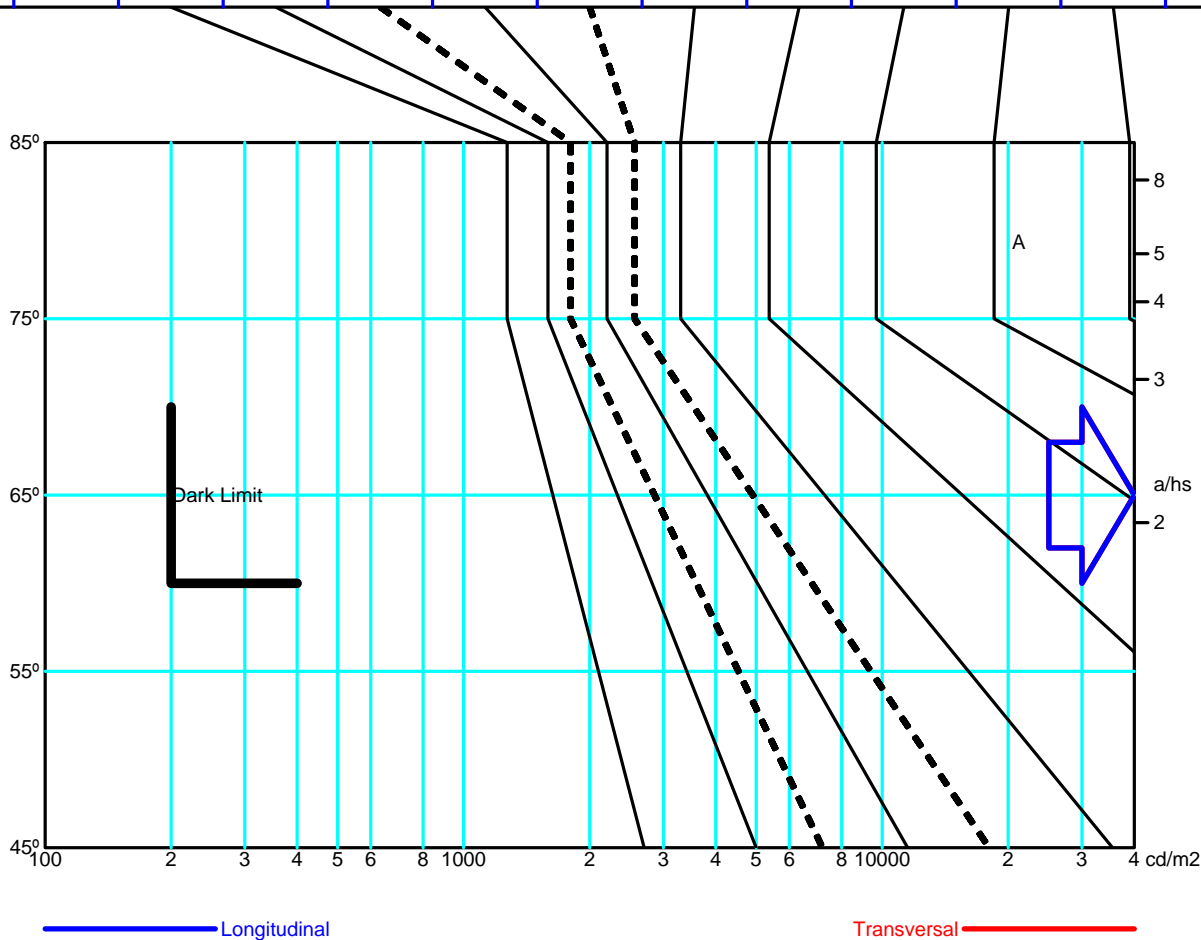
Efficiency 99.98%

Coordinate system CG

Total Flux 19.71 lm

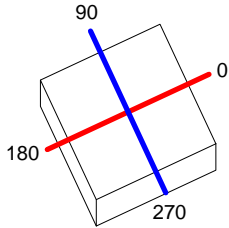
		Average Luminance [cd/m <sup>2</sup> ]										
		45°	50°	55°	60°	65°	70°	75°	80°	85°		
0.0°	15418181	14257120	15977469	25280800	38134888	48507377	61048444	68243734	67077622		---	
90.0°	2458045	1966435	1928252	1896000	1869299	1385883	1831395	909886	1812847		---	

Flush mounted or longitudinal view												
		Illumination(lx)										
A	A	2000	1000	750	500		<300					1.15
B	1		2000	1500	1000	750	500	<300				1.5
C					2000		1000	500	<300			1.85
D	2						2000	1000	500	<300		2.2
E	3							2000	1000	500	<300	2.55



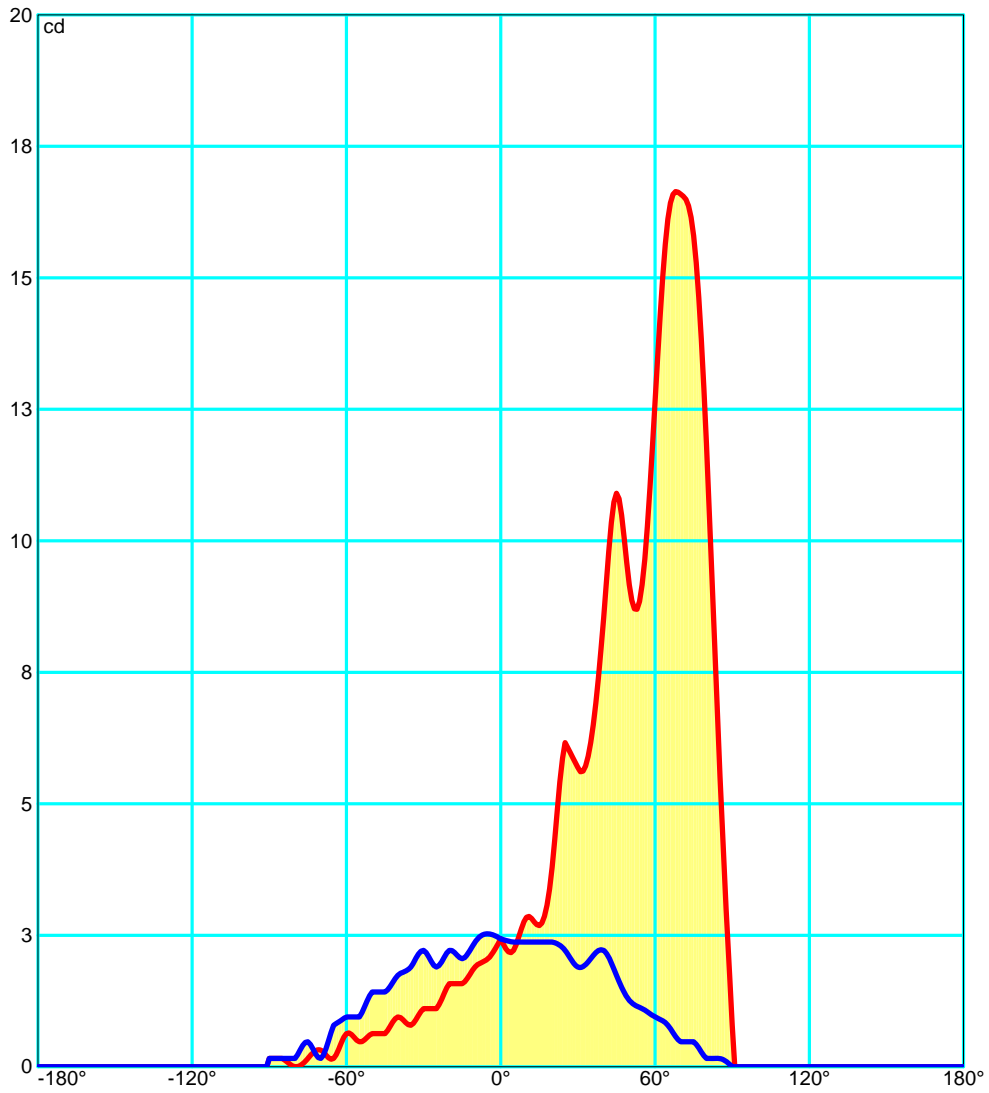
<b>Luminaire</b>		<b>Measur.</b>		<b>Lamp</b>	
Code	05-9770	Code	05-9770	Code	G02501
Name	RECESSED	Name	RECESSED	Number	1
Line	MICENAS	Date	29-06-2013	Position	
Efficiency	99.98%	Coordinate system	CG	Total Flux	19.71 lm

1mm x 1mm



C Halfplanes

180.0 ——— 0.0  
270.0 ——— 90.0



<b>Luminaire</b>		<b>Measur.</b>		<b>Lamp</b>	
Code	05-9770	Code	05-9770	Code	G02501
Name	RECESSED	Name	RECESSED	Number	1
Line	MICENAS	Date	29-06-2013	Position	
Efficiency	99.98%	Coordinate system	CG	Total Flux	19.71 lm

**UGR**  
S = 0.250

Reflectancies										
Ceiling/Cavity	0.7	0.7	0.5	0.5	0.3	0.7	0.7	0.5	0.5	0.3
Walls	0.5	0.3	0.5	0.3	0.3	0.5	0.3	0.5	0.3	0.3
WorkingPlane	0.2	0.2	0.2	0.2	0.2	0.2	0.2	0.2	0.2	0.2
RoomDimensions	ViewedCrosswise					ViewedEndwise				
x=2H y=2H	29.7	31.5	30.0	31.7	41.1	38.8	40.6	39.1	40.8	41.1
x=2H y=3H	30.7	32.3	31.0	32.6	42.6	40.4	42.0	40.8	42.3	42.6
x=2H y=4H	31.3	32.9	31.7	33.2	43.4	41.2	42.7	41.6	43.0	43.4
x=2H y=6H	31.3	32.7	31.6	33.1	43.8	41.6	43.1	42.0	43.4	43.8
x=2H y=8H	31.3	32.7	31.7	33.1	43.8	41.7	43.1	42.1	43.5	43.8
x=2H y=12H	32.0	33.4	32.4	33.8	43.9	41.8	43.2	42.2	43.5	43.9
x=4H y=2H	30.4	31.9	30.8	32.2	45.8	43.6	45.2	44.0	45.5	45.8
x=4H y=3H	31.6	33.0	32.1	33.4	47.5	45.4	46.8	45.9	47.2	47.5
x=4H y=4H	32.3	33.6	32.8	34.0	48.4	46.3	47.6	46.8	48.0	48.4
x=4H y=6H	32.3	33.4	32.8	33.8	48.8	46.9	48.0	47.3	48.4	48.8
x=4H y=8H	32.4	33.4	32.8	33.8	48.8	47.0	48.0	47.4	48.4	48.8
x=4H y=12H	33.4	34.3	33.8	34.7	48.9	47.0	48.0	47.5	48.4	48.9
x=8H y=4H	32.7	33.8	33.2	34.2	51.5	49.7	50.7	50.1	51.1	51.5
x=8H y=6H	32.8	33.6	33.2	34.1	52.2	50.4	51.3	50.9	51.7	52.2
x=8H y=8H	32.9	33.7	33.4	34.2	52.3	50.6	51.4	51.1	51.8	52.3
x=8H y=12H	34.3	34.9	34.8	35.4	52.4	50.7	51.4	51.2	51.9	52.4
x=12H y=4H	32.7	33.7	33.2	34.1	52.2	50.4	51.4	50.9	51.8	52.2
x=12H y=6H	32.8	33.6	33.3	34.1	53.1	51.4	52.1	51.9	52.6	53.1
x=12H y=8H	33.1	33.8	33.6	34.2	53.3	51.7	52.4	52.2	52.8	53.3



**Luminaire**

Code 05-9770  
 Name RECESSED  
 Line MICENAS

**Measuram.**

Code 05-9770  
 Name RECESSED  
 Date 29-06-2013

**Lamp**

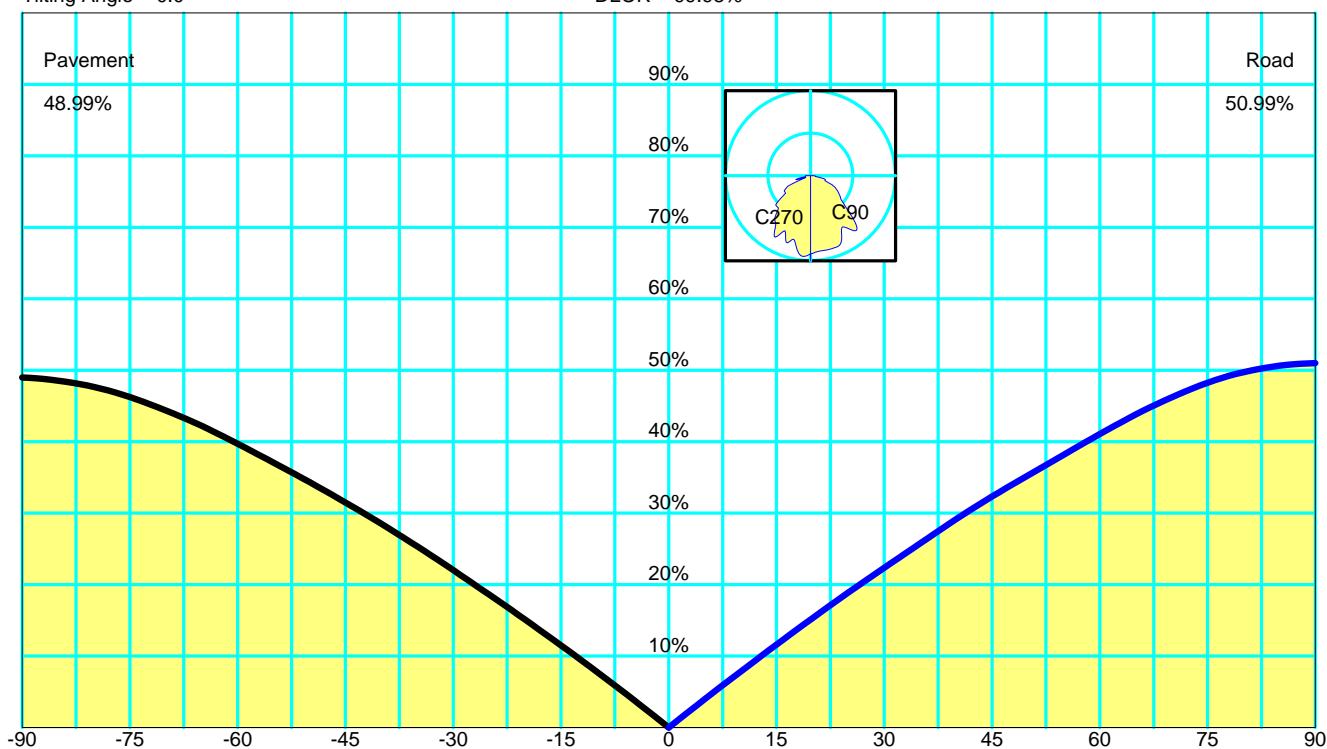
Code G02501  
 Number 1  
 Position

Efficiency 99.98%      Coordinate system CG      Total Flux 19.71 lm

Pavement			Road		
Piano	0	0.00%	Piano	0	0.00%
Piano	-5	3.96%	Piano	5	3.96%
Piano	-10	7.79%	Piano	10	7.82%
Piano	-15	11.49%	Piano	15	11.60%
Piano	-20	15.11%	Piano	20	15.30%
Piano	-25	18.60%	Piano	25	18.89%
Piano	-30	22.03%	Piano	30	22.35%
Piano	-35	25.34%	Piano	35	25.77%
Piano	-40	28.50%	Piano	40	29.15%
Piano	-45	31.49%	Piano	45	32.33%
Piano	-50	34.35%	Piano	50	35.28%
Piano	-55	37.06%	Piano	55	38.18%
Piano	-60	39.71%	Piano	60	41.07%
Piano	-65	42.21%	Piano	65	43.81%
Piano	-70	44.37%	Piano	70	46.21%
Piano	-75	46.24%	Piano	75	48.25%
Piano	-80	47.66%	Piano	80	49.73%
Piano	-85	48.54%	Piano	85	50.63%
Piano	-90	48.99%	Piano	90	50.99%

Tilting Angle = 0.0

DLOR = 99.98%



Spread 20.1° Narrow  
 Throw 69.7° Intermediate  
 SLI (glare) 2.7 Moderate  
 CIE Cutoff Non Cutoff - Max: C=0.0° Gamma=70.0°  
 IESNA Cutoff Non Cutoff  
 DIN5044 --

IESNA Type II Very Short Asymmetrical

DLOR 99.98414 %  
 ULOR 0.00000 %  
 Efficiency 99.98414 %  
 RN 0.00000 %  
 Luminous Intensity Class GU  
 Glare Index D0

**Luminaire**

 Code 05-9770  
 Name RECESSED  
 Line MICENAS

**Measur.**

 Code 05-9770  
 Name RECESSED  
 Date 29-06-2013

**Lamp**

 Code G02501  
 Number 1  
 Position

Efficiency 99.98%

Coordinate system CG

Total Flux 19.71 lm

Total Flux= 19.71 Luminaire Flux= 19.71

RI	0.60	0.80	1.00	1.25	1.50	2.00	2.50	3.00	4.00	5.00	10.00	20.00
DRR	0.15	0.20	0.25	0.32	0.38	0.47	0.54	0.60	0.68	0.73	0.86	0.93
RC	9	9	9	9	9	9	8	8	8	8	7	7

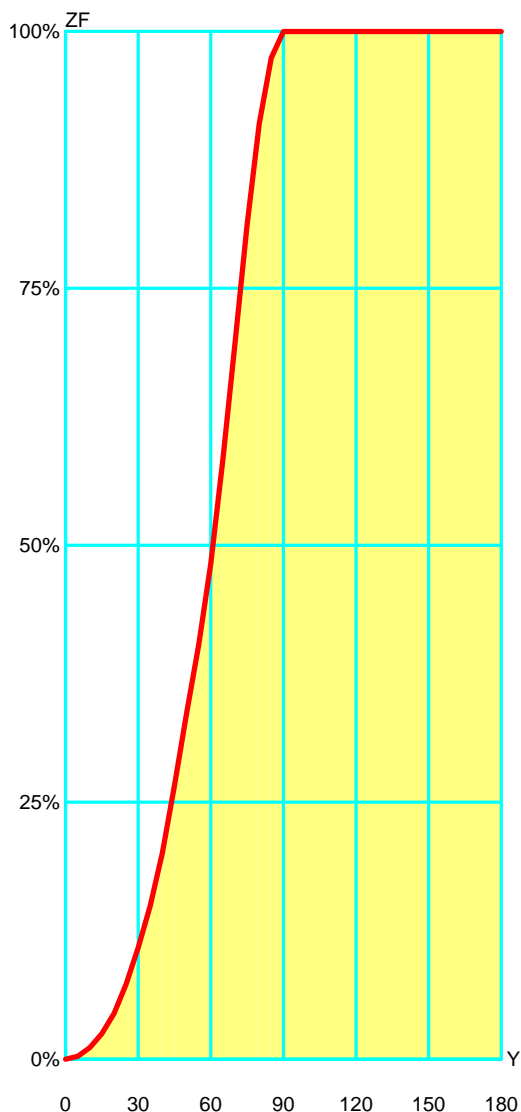
**Zonal Flux per 1000 Lumen**

Y°	10	20	30	40	50	60	70	80	90	100	110	120	130	140	150	160	170	180
ZF(Y)	11	44	109	201	337	482	697	910	1000	1000	1000	1000	1000	1000	1000	1000	1000	1000

**CIE Flux Codes**

22 48 83 100 100

C.I.E.	9/9/9/9/9/8/8/8/7/7	LOR	99.98414 %
D DIN 5040	A10	ULOR	0.00000 %
F UTE	1.00 J	DLOR	99.98414 %
B NBN	BZ 9 / 0.8 / BZ 8 / 2.5 / BZ 7	UFF	0.00000 %
RN	0.00000 %	DFF	100.00000 %
BLF	1.0	FFR	0.00000 %



Zonal Flux				
Gamma °	Flux	Sum lm	Flux [%]	Sum [%]
0°	0.00	0.00	0.00%	0.00%
5°	2.87	2.87	0.29%	0.29%
10°	8.46	11.33	0.85%	1.13%
15°	13.67	25.00	1.37%	2.50%
20°	19.49	44.49	1.95%	4.45%
25°	28.38	72.86	2.84%	7.29%
30°	35.76	108.62	3.58%	10.86%
35°	40.73	149.35	4.07%	14.94%
40°	51.49	200.84	5.15%	20.09%
45°	66.05	266.90	6.61%	26.69%
50°	69.65	336.55	6.97%	33.66%
55°	66.67	403.22	6.67%	40.33%
60°	78.75	481.97	7.88%	48.20%
65°	101.83	583.80	10.18%	58.39%
70°	113.67	697.47	11.37%	69.76%
75°	114.20	811.67	11.42%	81.18%
80°	98.67	910.34	9.87%	91.05%
85°	63.71	974.05	6.37%	97.42%
90°	25.79	999.84	2.58%	100.00%
95°	0.00	999.84	0.00%	100.00%
100°	0.00	999.84	0.00%	100.00%
105°	0.00	999.84	0.00%	100.00%
110°	0.00	999.84	0.00%	100.00%
115°	0.00	999.84	0.00%	100.00%
120°	0.00	999.84	0.00%	100.00%
125°	0.00	999.84	0.00%	100.00%
130°	0.00	999.84	0.00%	100.00%
135°	0.00	999.84	0.00%	100.00%
140°	0.00	999.84	0.00%	100.00%
145°	0.00	999.84	0.00%	100.00%
150°	0.00	999.84	0.00%	100.00%
155°	0.00	999.84	0.00%	100.00%
160°	0.00	999.84	0.00%	100.00%
165°	0.00	999.84	0.00%	100.00%
170°	0.00	999.84	0.00%	100.00%
175°	0.00	999.84	0.00%	100.00%
180°	0.00	999.84	0.00%	100.00%

**Luminaire**  
 Code 05-9770  
 Name RECESSED  
 Line MICENAS

**Measur.**  
 Code 05-9770  
 Name RECESSED  
 Date 29-06-2013

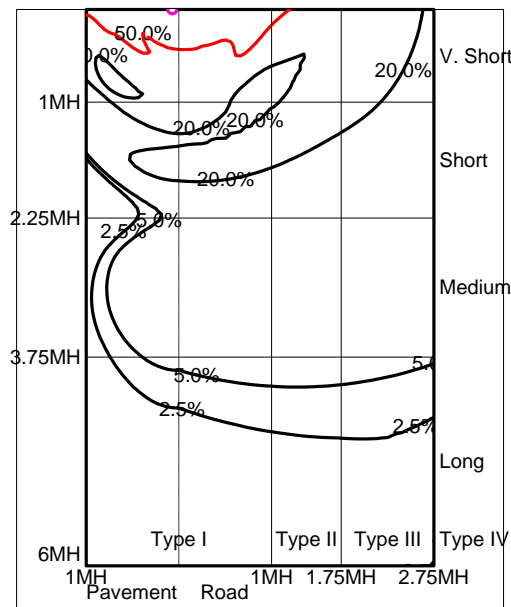
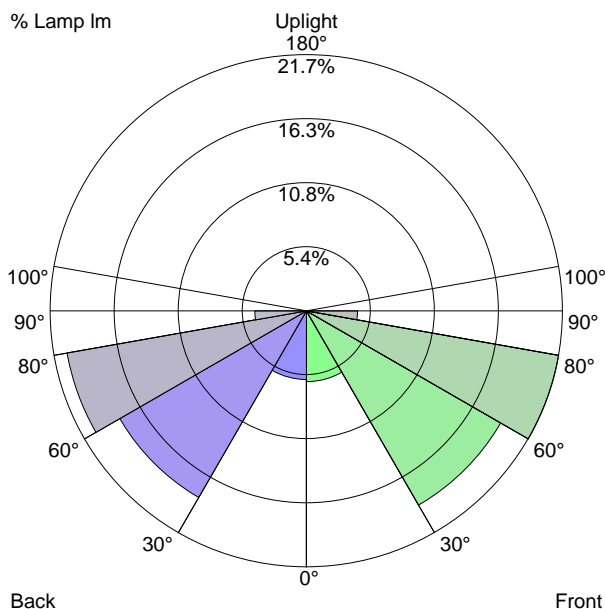
**Lamp**  
 Code G02501  
 Number 1  
 Position

Efficiency 99.98%

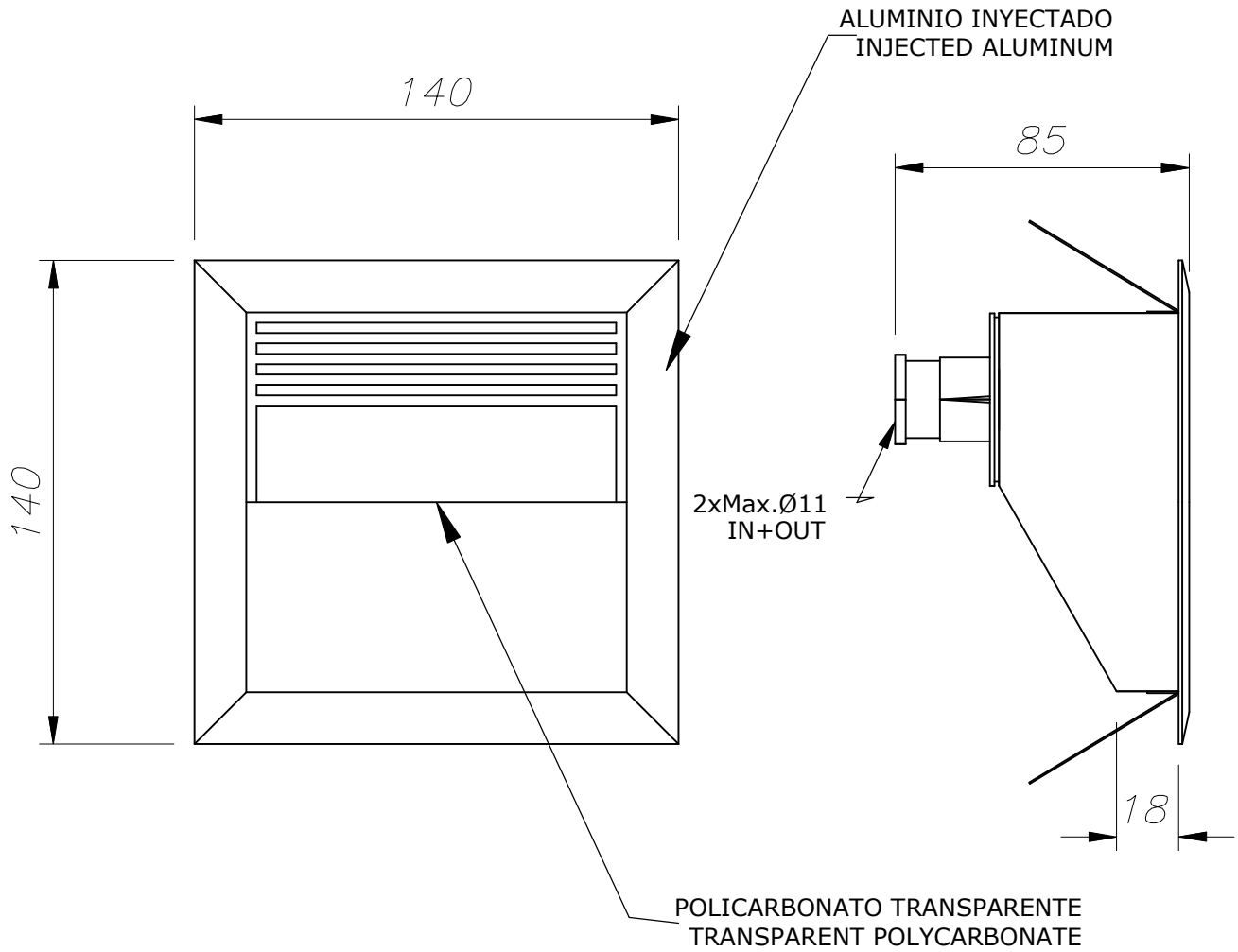
Coordinate system CG

Total Flux 19.71 lm

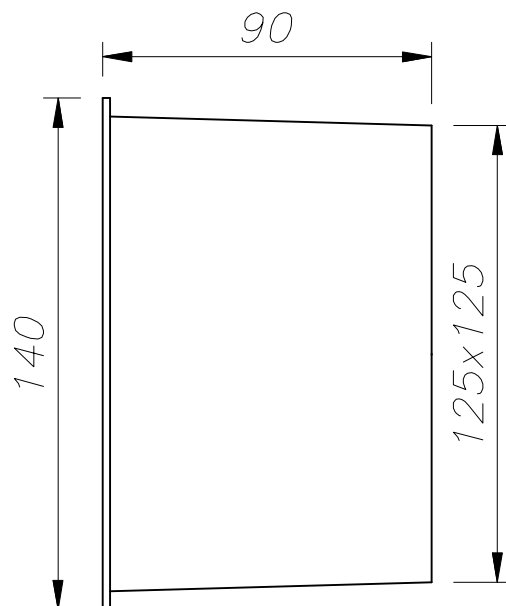
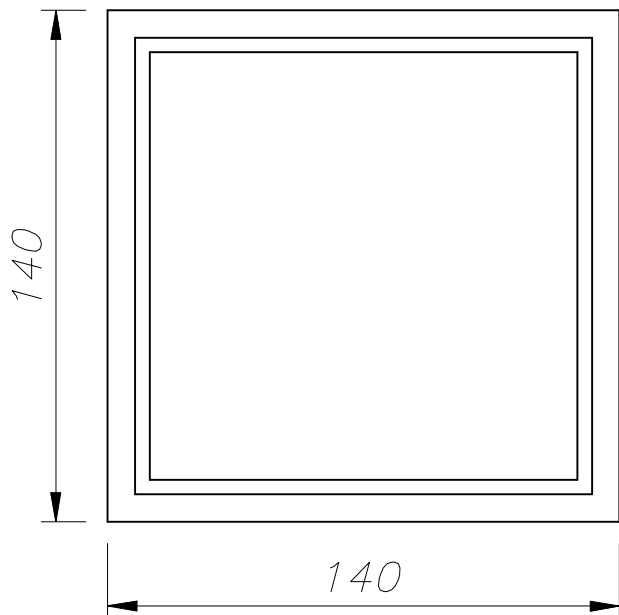
US ROAD STANDARDS



Luminaire Classification System (LCS)			
LCS Zone	Lumens	%Lamp	%Lum
FL	0° -- 30°	1.2 lm	6.0 %
FM	30° -- 60°	3.7 lm	19.0 %
FH	60° -- 80°	4.3 lm	21.7 %
FVH	80° -- 90°	0.9 lm	4.3 %
BL	0° -- 30°	1.1 lm	5.8 %
BM	30° -- 60°	3.6 lm	18.2 %
BH	60° -- 80°	4.1 lm	20.6 %
BVH	80° -- 90°	0.9 lm	4.4 %
UL	90° -- 100°	0.0 lm	0.0 %
UH	100° -- 180°	0.0 lm	0.0 %
<b>TOTALS</b>		<b>19.7 lm</b>	<b>100.0 %</b>
BUG B0 U0 G0 Type II Very Short Asymmetrical			



Fitting box  
Caja de empotrar



Item entry  
Colocación de  
la pieza por aquí

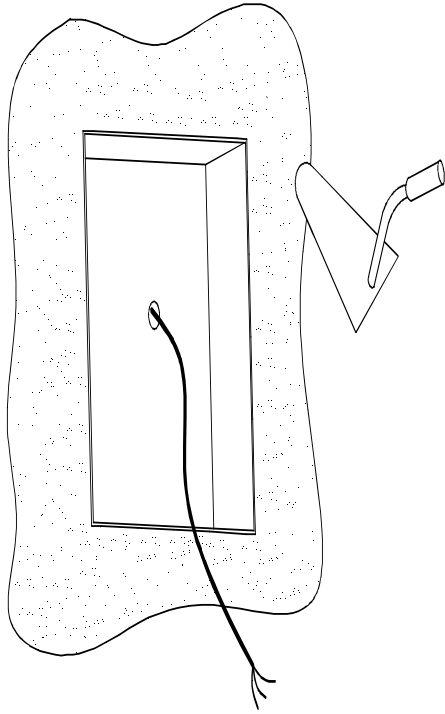


LEDS-C4

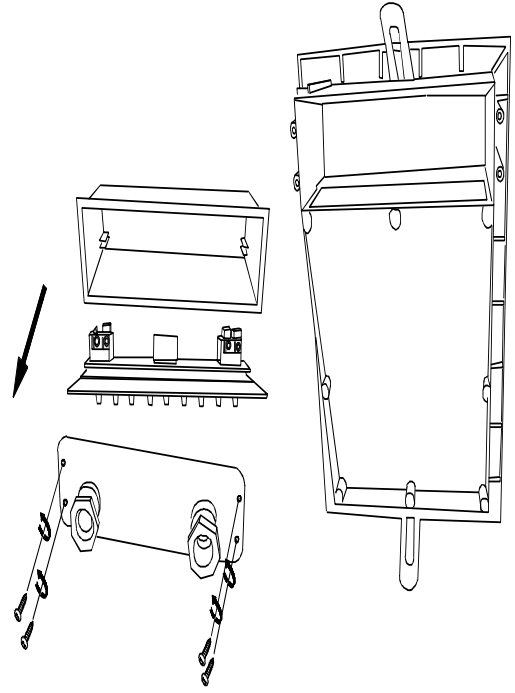
OUTDOOR

05-9770

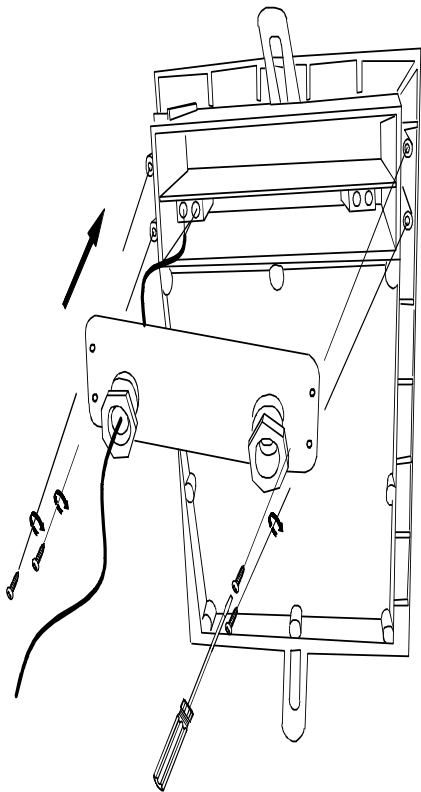
①



②



③



④

