

ACCESS Wall fixture

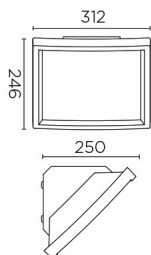
Designer: Josep Patsi




Description

Wall fixture IP65 ACCESS E27 18W White 612lm

	Finish	Material
Structure	White	Polycarbonate + ABS
Diffuser	Opal	Polycarbonate



 IP65 IK10  12

TECHNICAL CHARACTERISTICS

Light source

Lampholder: 2 x E27
 Light source power (W): MAX 18W
 Lamp maximum dimension: 160/ mm
 Real Lumen: 612
 Quantity: 2
 Lm/Real W: 34
 UGR: 32.5
 Recommended lamp: E27

GEAR

Voltage / Frequency:
 220-240VAC/50-60Hz

Luminaire

Double cable exit: No
 Drainage: No
 Seaside: Yes
 Uv Protection: Yes
 Warranty: 2 Years

Logistics

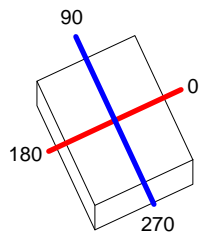
Energy Efficiency: NO BULB
 EAN Code: 8435381435110
 Net Weight (Kg): 1.39
 Weight in Kg (packaged): 1.83
 Packing: 320 x 190 x 320
 Masterbox: 12

The photograph may not match the reference exactly. Please read the product description to identify the finish.

Luminaire		Measur.		Lamp		
Code	05-9734	Code	05-9734	Code	11	
Name	WALL FIXTURES	Name	WALL FIXTURES	Number	2	
Line	Eulumdat	Date	17-02-2014	Position		
Efficiency	27.84%	Coordinate system	CG	Total Flux	2200.00 lm	
Maximum value	215.92 cd	Position	C=90.00 G=45.00	Asymmetrical		
Rectangular Luminaire	Length	312 mm	Width	246 mm	Height	40 mm
Rectangular Luminous Area	Length	300 mm	Width	234 mm	Height	10 mm
Horizontal Luminous Area	0.070200 m2	Emitting area on Plane 180°		0.003000 m2		
Emitting area on Plane 0°	0.003000 m2	Emitting area on Plane 270°		0.002340 m2		
Emitting area on Plane 90°	0.002340 m2	Glare area at 76°		0.019894 m2		
Symmetry Type	Asymmetrical	Maximum Gamma Angle		180		
Measurement Distance	0.00	Measurement Flux		2200.00 lm		
Operator		Source voltage				
Temperature	25.00 °C	Source current				
Humidity	60.00 %	Photocell				
Notes						

Line		Code		Luminaire Lamps		Flux [lm]	Pow. [W]	Q.ty
Eulumdat		11		Name		1100.00	10.65	2
C.I.E.	37 64 84 87 28			11 - 10.65 W				
F UTE	0.24 H + 0.04 T			D DIN 5040	B21			
				B NBN	BZ 6			

312mm x 246mm



C Halfplanes

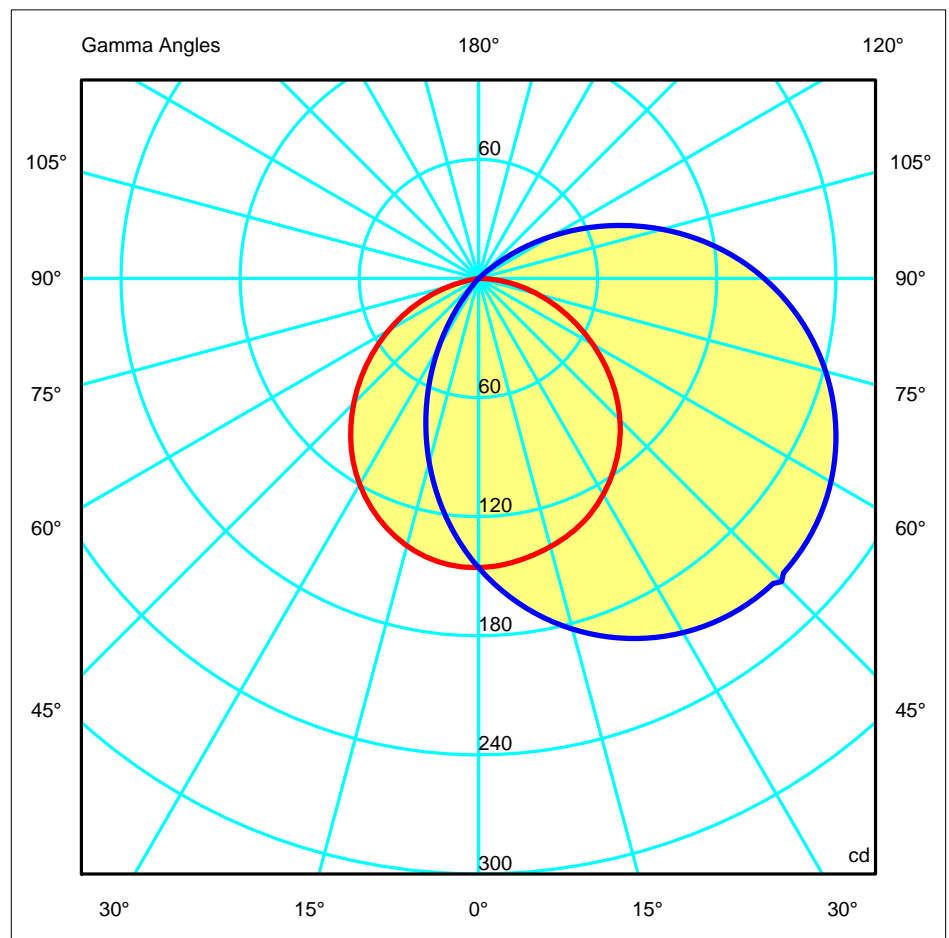
180.0 — 0.0

270.0 — 90.0

ULOR 3.74 %

DLOR 24.10 %

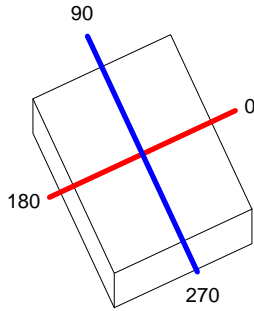
RN 13.43 %



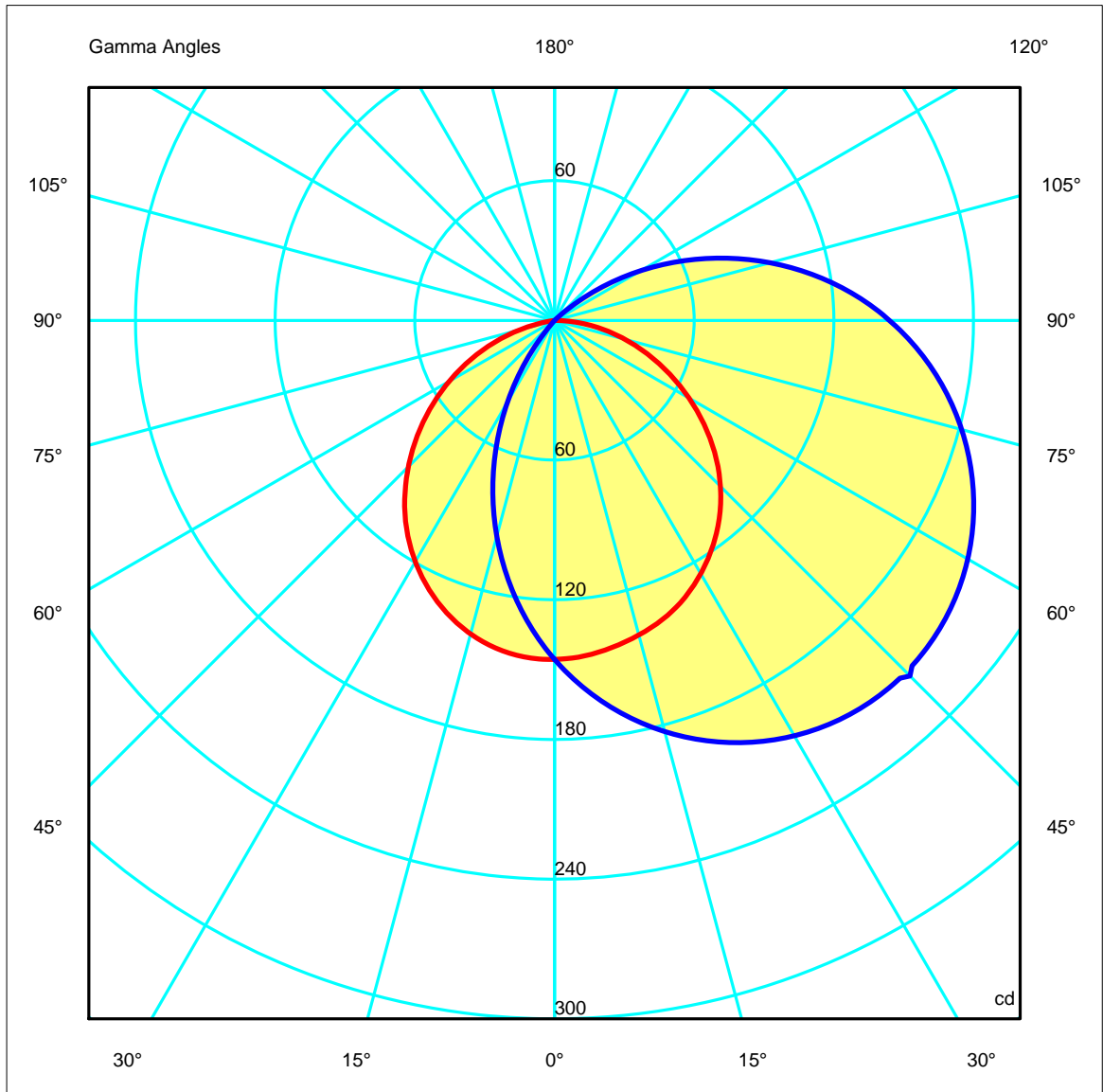
Luminaire		Measur.		Lamp	
Code	05-9734	Code	05-9734	Code	11
Name	WALL FIXTURES	Name	WALL FIXTURES	Number	2
Line	Eulumdat	Date	17-02-2014	Position	
Efficiency	27.84%	Coordinate system	CG	Total Flux	2200.00 lm

312mm x 246mm

C Halfplanes



180.0 ————— 0.0
 270.0 ————— 90.0



Luminaire		Measurem.		Lamp	
Code	05-9734	Code	05-9734	Code	11
Name	WALL FIXTURES	Name	WALL FIXTURES	Number	2
Line	Eulumdat	Date	17-02-2014	Position	

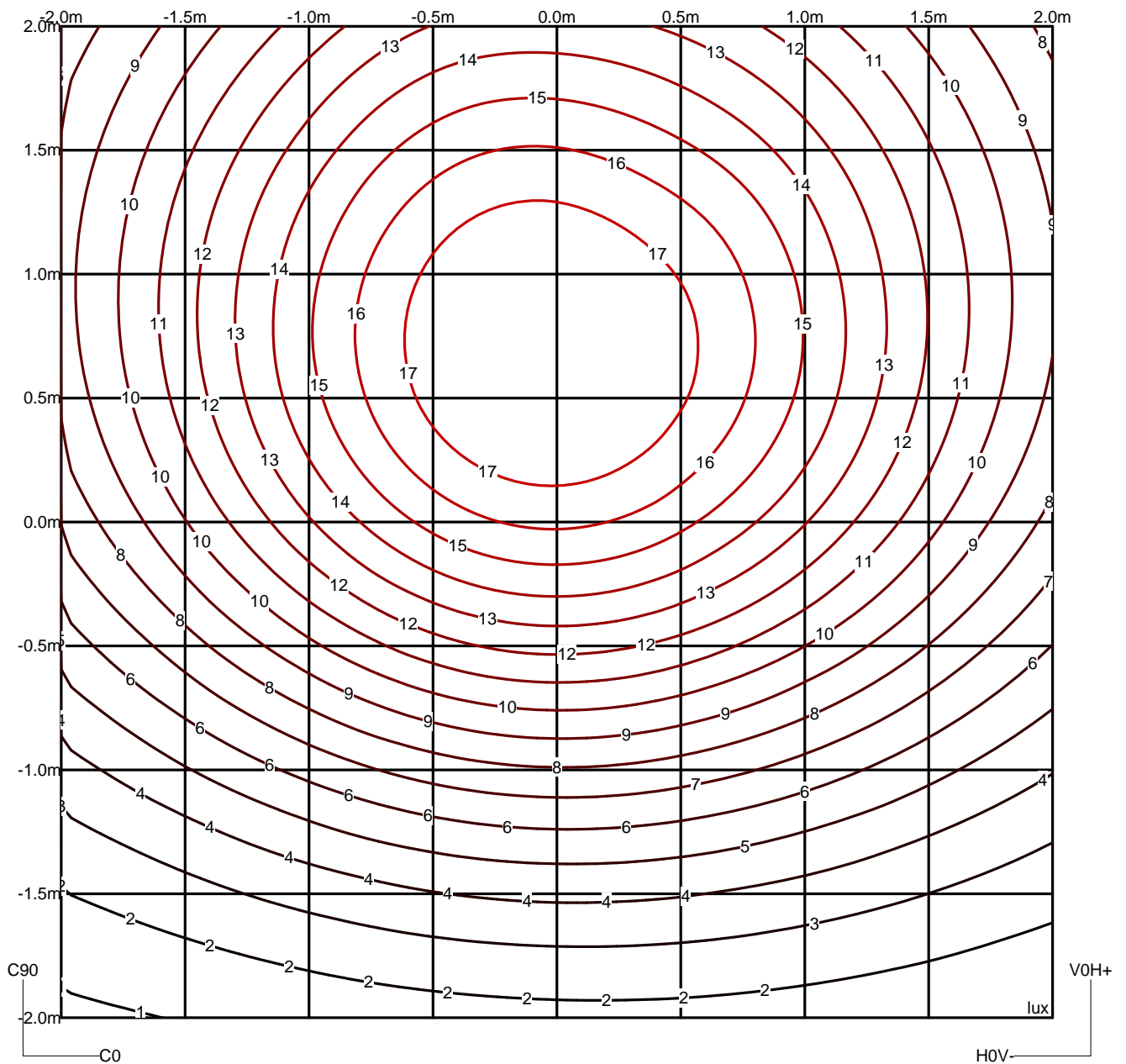
Efficiency	27.84%	Coordinate system	CG	Total Flux	2200.00 lm
------------	--------	-------------------	----	------------	------------

Could not find 90270 right beam angle•gamma0180=-1

Luminaire		Measuram.		Lamp	
Code	05-9734	Code	05-9734	Code	11
Name	WALL FIXTURES	Name	WALL FIXTURES	Number	2
Line	Eulmdat	Date	17-02-2014	Position	
Efficiency	27.84%	Coordinate system	CG	Total Flux	2200.00 lm

Isolux (Floor)

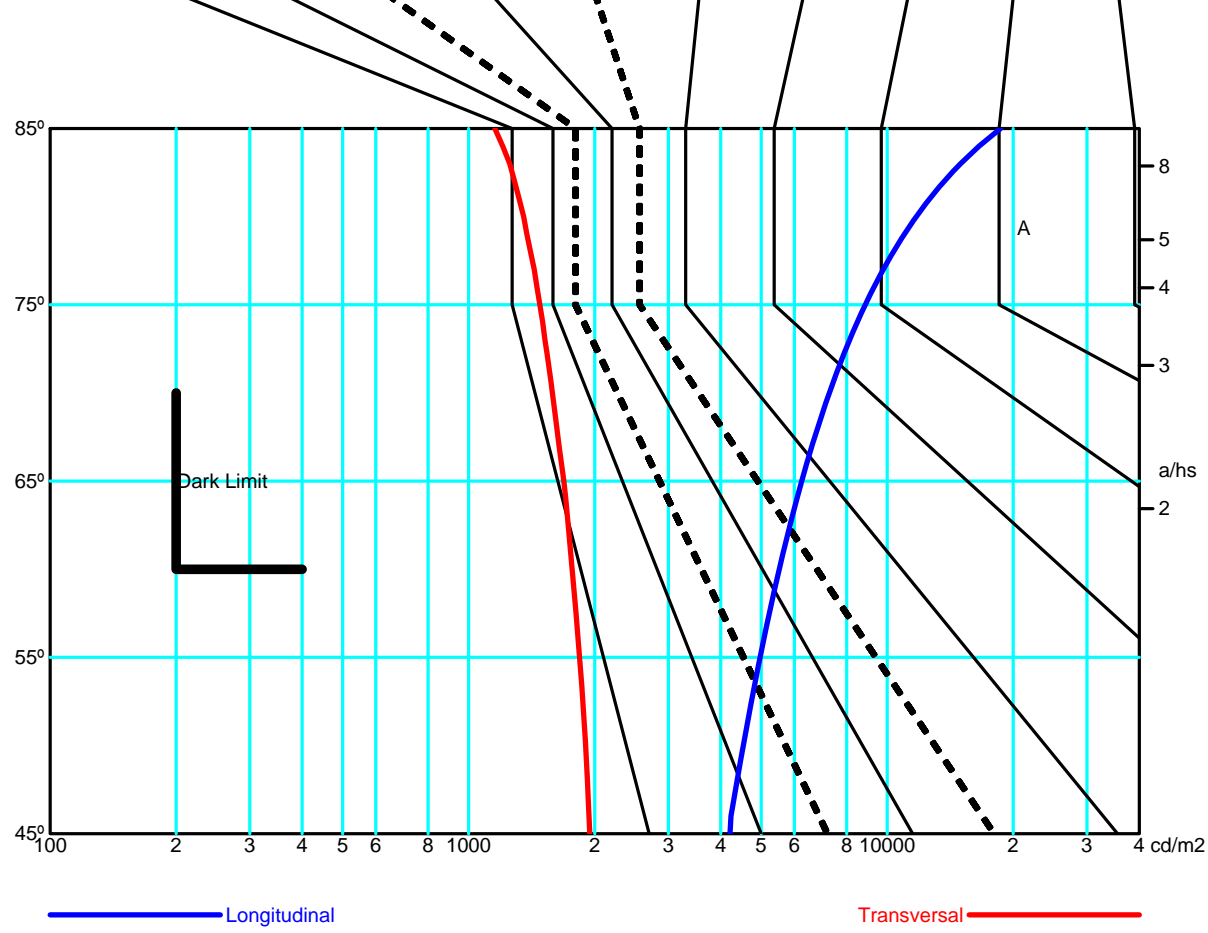
Luminaire position X=0.00m Y=0.00m Z=3.00m



Luminaire		Measur.		Lamp	
Code	05-9734	Code	05-9734	Code	11
Name	WALL FIXTURES	Name	WALL FIXTURES	Number	2
Line	Eulumdat	Date	17-02-2014	Position	
Efficiency	27.84%	Coordinate system	CG	Total Flux	2200.00 lm

		Average Luminance [cd/m ²]										
		0.0°	45°	50°	55°	60°	65°	70°	75°	80°	85°	
0.0°	1946	1903	1841	1769	1687	1584	1480	1354	1155	---		
90.0°	4210	4529	4968	5520	6247	7272	8863	11729	18657	---		

Flush mounted or longitudinal view												
		Illumination(lx)										
A	A	2000	1000	750	500		<300					1.15
B	1		2000	1500	1000	750	500	<300				1.5
C					2000		1000	500	<300			1.85
D	2						2000	1000	500	<300		2.2
E	3							2000	1000	500	<300	2.55



Luminaire

Code 05-9734
 Name WALL FIXTURES
 Line Eulumdat

Measur.

Code 05-9734
 Name WALL FIXTURES
 Date 17-02-2014

Lamp

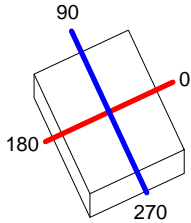
Code 11
 Number 2
 Position

Efficiency 27.84%

Coordinate system CG

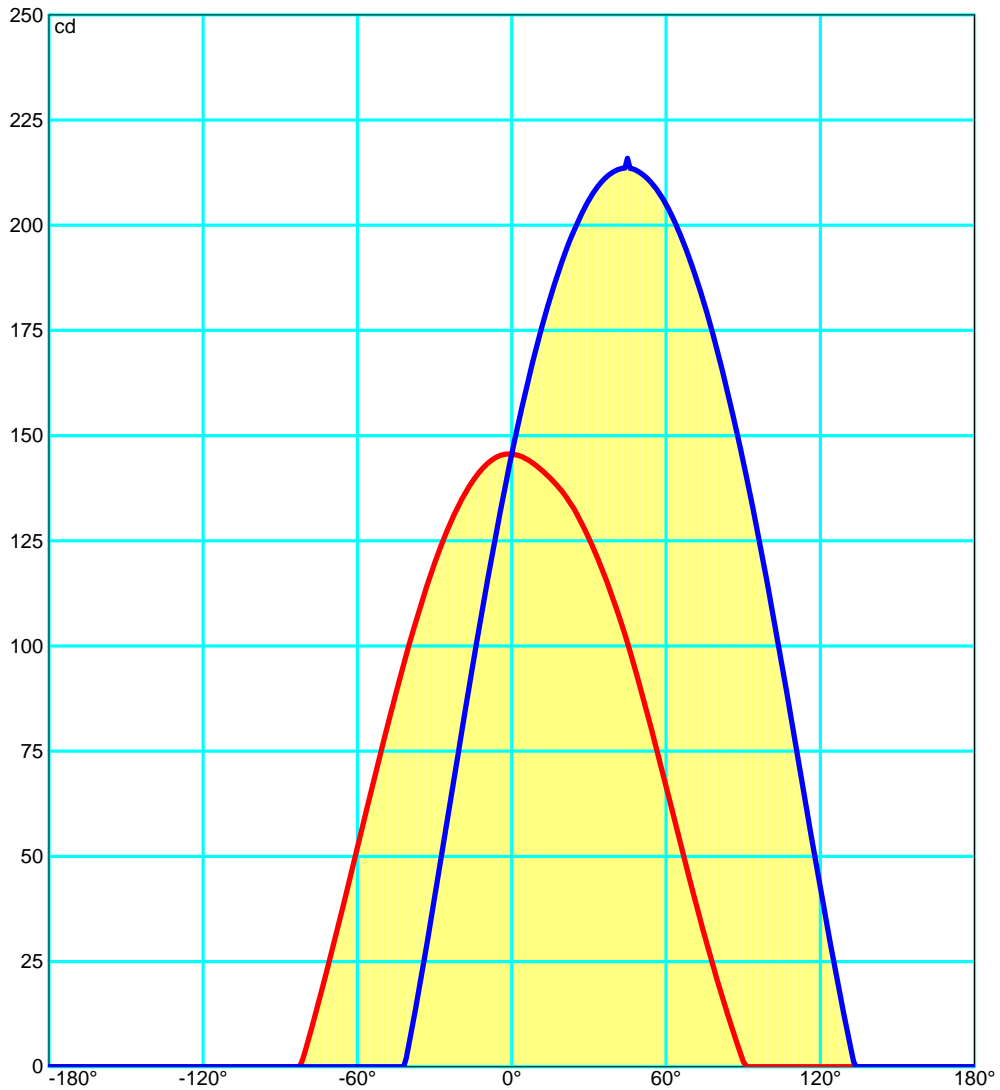
Total Flux 2200.00 lm

312mm x 246mm



C Halfplanes

180.0 ———— 0.0
 270.0 ———— 90.0



Luminaire		Measur.		Lamp	
Code	05-9734	Code	05-9734	Code	11
Name	WALL FIXTURES	Name	WALL FIXTURES	Number	2
Line	Eulumdat	Date	17-02-2014	Position	
Efficiency	27.84%	Coordinate system	CG	Total Flux	2200.00 lm

UGR
S = 0.250

Reflectancies										
Ceiling/Cavity	0.7	0.7	0.5	0.5	0.3	0.7	0.7	0.5	0.5	0.3
Walls	0.5	0.3	0.5	0.3	0.3	0.5	0.3	0.5	0.3	0.3
WorkingPlane	0.2	0.2	0.2	0.2	0.2	0.2	0.2	0.2	0.2	0.2
RoomDimensions	ViewedCrosswise					ViewedEndwise				
x=2H y=2H	13.1	14.4	13.6	14.9	< 0	< 0	< 0	< 0	< 0	< 0
x=2H y=3H	14.4	15.6	14.9	16.1	< 0	< 0	< 0	< 0	< 0	< 0
x=2H y=4H	14.9	16.0	15.4	16.5	< 0	< 0	< 0	< 0	< 0	< 0
x=2H y=6H	15.0	16.1	15.6	16.6	< 0	< 0	< 0	< 0	< 0	< 0
x=2H y=8H	15.0	16.1	15.6	16.6	< 0	< 0	< 0	< 0	< 0	< 0
x=2H y=12H	15.0	15.9	15.5	16.5	< 0	< 0	< 0	< 0	< 0	< 0
x=4H y=2H	15.3	16.4	15.8	17.0	< 0	< 0	< 0	< 0	< 0	< 0
x=4H y=3H	17.0	18.0	17.5	18.5	< 0	< 0	< 0	< 0	< 0	< 0
x=4H y=4H	17.7	18.6	18.3	19.2	< 0	< 0	< 0	< 0	< 0	< 0
x=4H y=6H	18.2	19.0	18.8	19.5	< 0	< 0	< 0	< 0	< 0	< 0
x=4H y=8H	18.2	19.0	18.9	19.6	< 0	< 0	< 0	< 0	< 0	< 0
x=4H y=12H	18.3	18.9	18.9	19.5	< 0	< 0	< 0	< 0	< 0	< 0
x=8H y=4H	19.6	20.3	20.2	21.0	< 0	< 0	< 0	< 0	< 0	< 0
x=8H y=6H	20.6	21.2	21.2	21.8	< 0	< 0	< 0	< 0	< 0	< 0
x=8H y=8H	20.9	21.5	21.6	22.1	< 0	< 0	< 0	< 0	< 0	< 0
x=8H y=12H	21.1	21.6	21.8	22.3	< 0	< 0	< 0	< 0	< 0	< 0
x=12H y=4H	20.2	20.8	20.8	21.5	< 0	< 0	< 0	< 0	< 0	< 0
x=12H y=6H	21.4	22.0	22.1	22.7	< 0	< 0	< 0	< 0	< 0	< 0
x=12H y=8H	22.0	22.5	22.7	23.2	< 0	< 0	< 0	< 0	< 0	< 0

Luminaire		Measur.		Lamp	
Code	05-9734	Code	05-9734	Code	11
Name	WALL FIXTURES	Name	WALL FIXTURES	Number	2
Line	Eulumdat	Date	17-02-2014	Position	
Efficiency	27.84%	Coordinate system	CG	Total Flux	2200.00 lm

Total Flux=2200.00 Luminaire Flux=612.50

RI	0.60	0.80	1.00	1.25	1.50	2.00	2.50	3.00	4.00	5.00	10.00	20.00
DRR	0.24	0.31	0.37	0.43	0.48	0.57	0.63	0.67	0.73	0.77	0.86	0.92
RC	7	7	7	7	7	7	7	7	7	7	7	7

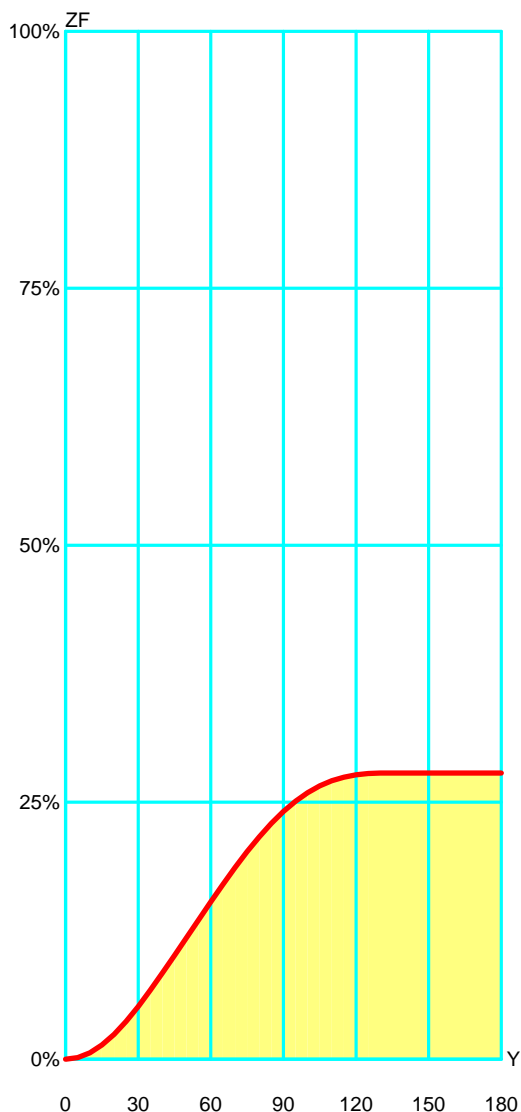
Zonal Flux per 1000 Lumen

Y°	10	20	30	40	50	60	70	80	90	100	110	120	130	140	150	160	170	180
ZF(Y)	6	24	51	84	118	153	186	216	241	259	271	277	278	278	278	278	278	278

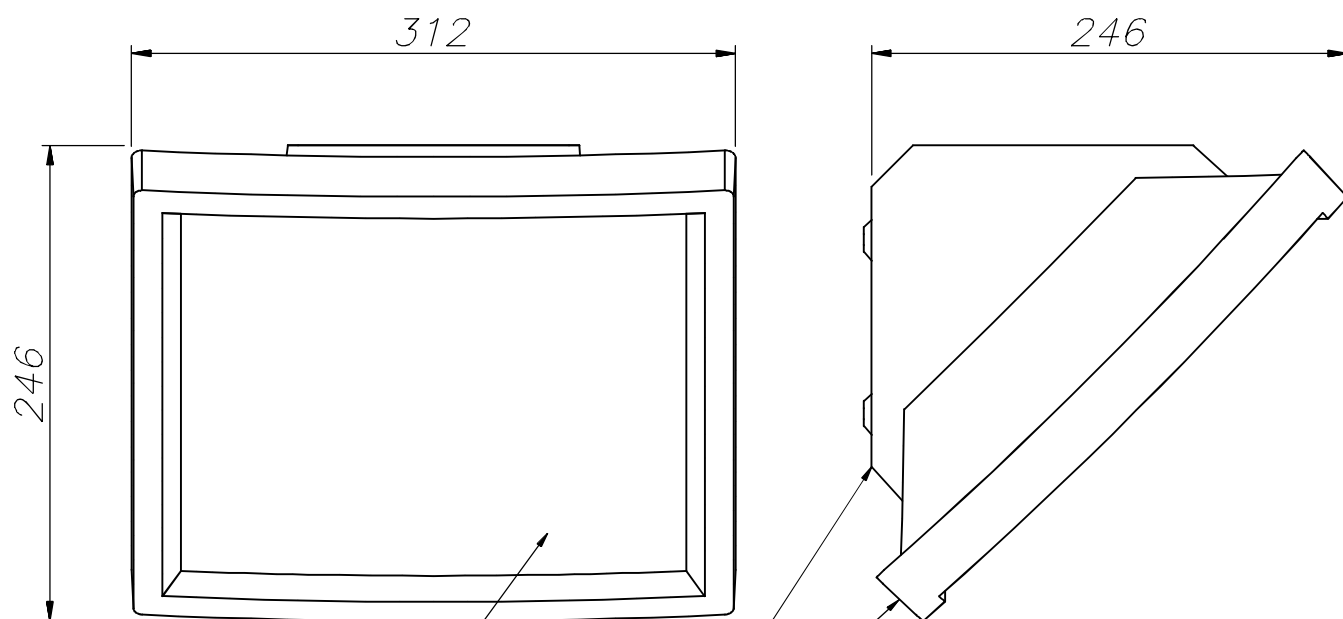
CIE Flux Codes

37 64 84 87 28

C.I.E.	7	LOR	27.84089 %
D DIN 5040	B21	ULOR	3.73899 %
F UTE	0.24 H + 0.04 T	DLOR	24.10190 %
B NBN	BZ 6	UFF	13.42986 %
RN	13.42986 %	DFF	86.57014 %
BLF	1.0	FFR	15.51327 %

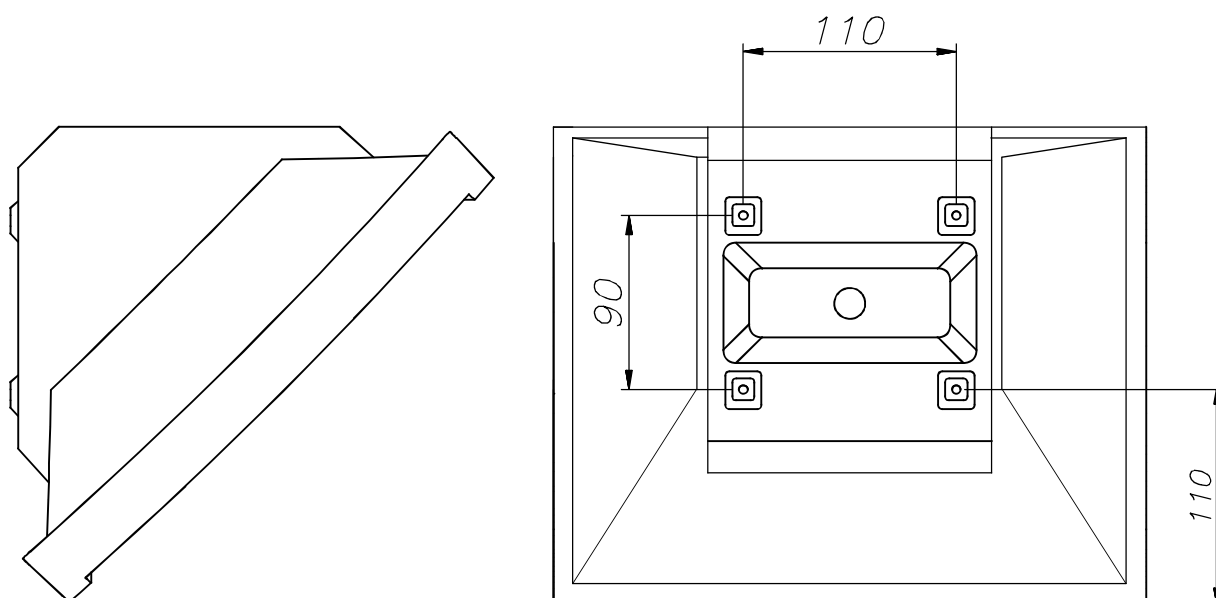


Zonal Flux				
Gamma °	Flux	Sum lm	Flux [%]	Sum [%]
0°	0.00	0.00	0.00%	0.00%
5°	1.58	1.58	0.57%	0.57%
10°	4.68	6.25	1.68%	2.25%
15°	7.60	13.86	2.73%	4.98%
20°	10.27	24.13	3.69%	8.67%
25°	12.60	36.73	4.53%	13.19%
30°	14.49	51.22	5.21%	18.40%
35°	15.90	67.12	5.71%	24.11%
40°	16.77	83.89	6.02%	30.13%
45°	17.11	101.00	6.15%	36.28%
50°	17.29	118.30	6.21%	42.49%
55°	17.44	135.74	6.27%	48.76%
60°	17.36	153.10	6.23%	54.99%
65°	17.00	170.10	6.11%	61.10%
70°	16.37	186.47	5.88%	66.98%
75°	15.49	201.96	5.56%	72.54%
80°	14.39	216.35	5.17%	77.71%
85°	13.07	229.42	4.69%	82.41%
90°	11.59	241.02	4.16%	86.57%
95°	9.98	251.00	3.59%	90.16%
100°	8.29	259.29	2.98%	93.13%
105°	6.60	265.90	2.37%	95.51%
110°	5.00	270.90	1.80%	97.30%
115°	3.52	274.42	1.27%	98.57%
120°	2.25	276.67	0.81%	99.38%
125°	1.21	277.89	0.44%	99.81%
130°	0.47	278.35	0.17%	99.98%
135°	0.06	278.41	0.02%	100.00%
140°	0.00	278.41	0.00%	100.00%
145°	0.00	278.41	0.00%	100.00%
150°	0.00	278.41	0.00%	100.00%
155°	0.00	278.41	0.00%	100.00%
160°	0.00	278.41	0.00%	100.00%
165°	0.00	278.41	0.00%	100.00%
170°	0.00	278.41	0.00%	100.00%
175°	0.00	278.41	0.00%	100.00%
180°	0.00	278.41	0.00%	100.00%



POLICARBONATO OPAL
OPAL POLYCARBONATE

PC+ABS
PC+ABS



PLANTILLA DE INSTALACION
INSTALLATION TEMPLATE

