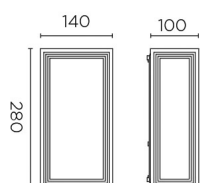


## Thomas Wall fixture

**Description**

Wall fixture IP44 Thomas E27 23W Urban grey

	Finish	Material
<b>Structure</b>	Urban grey	Aluminium
<b>Diffuser</b>	Opal	Polycarbonate

**TECHNICAL CHARACTERISTICS****Light source**

Lampholder: 1 x E27  
 Light source power (W): MAX 23W  
 Luminaire total power (W): 23W  
 Lamp maximum dimension: 180/NA  
 mm  
 Quantity: 1  
 Recommended lamp: E27

**GEAR**

Voltage / Frequency:  
 100-240V/50-60Hz

**Luminaire**

Double cable exit: No  
 Uv Protection: Yes  
 Warranty: 5 Years

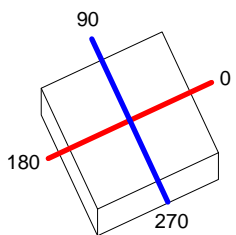
**Logistics**

Energy Efficiency: NO BULB  
 EAN Code: 8435381400507  
 Net Weight (Kg): 1.48  
 Weight in Kg (packaged): 1.67  
 Packing: 160 x 105 x 290  
 Masterbox: 8

<b>Luminaire</b>		<b>Measur.</b>		<b>Lamp</b>		
Code	05-9686	Code	05-9686	Code	E27	
Name	outdoor	Name	outdoor	Number	1	
Line	Eulumdat	Date	17-12-2013	Position		
Efficiency	42.14%	Coordinate system	CG	Total Flux	1200.00 lm	
Maximum value	109.65 cd	Position	C=180.00 G=1.00	Asymmetrical		
Rectangular Luminaire	Length	1 mm	Width	1 mm	Height	1 mm
Rectangular Luminous Area	Length	1 mm	Width	1 mm	Height	1 mm
Horizontal Luminous Area	0.000001 m2	Emitting area on Plane 180°		0.000001 m2		
Emitting area on Plane 0°	0.000001 m2	Emitting area on Plane 270°		0.000001 m2		
Emitting area on Plane 90°	0.000001 m2	Glare area at 76°		0.000001 m2		
Symmetry Type	Asymmetrical	Maximum Gamma Angle		180		
Measurement Distance	0.00	Measurement Flux		1200.00 lm		
Operator		Source voltage				
Temperature	25.00 °C	Source current				
Humidity	60.00 %	Photocell				
Notes						

Line		Code		Luminaire Lamps		Flux [lm]	Pow. [W]	Q.ty
Eulumdat		E27		Name		1200.00	21.80	1
				E27 - 21.80 W				
C.I.E.	36 65 86 79 42			D DIN 5040	B21			
F UTE	0.33 H + 0.09 T			B NBN	BZ 6			

1mm x 1mm



**C Halfplanes**

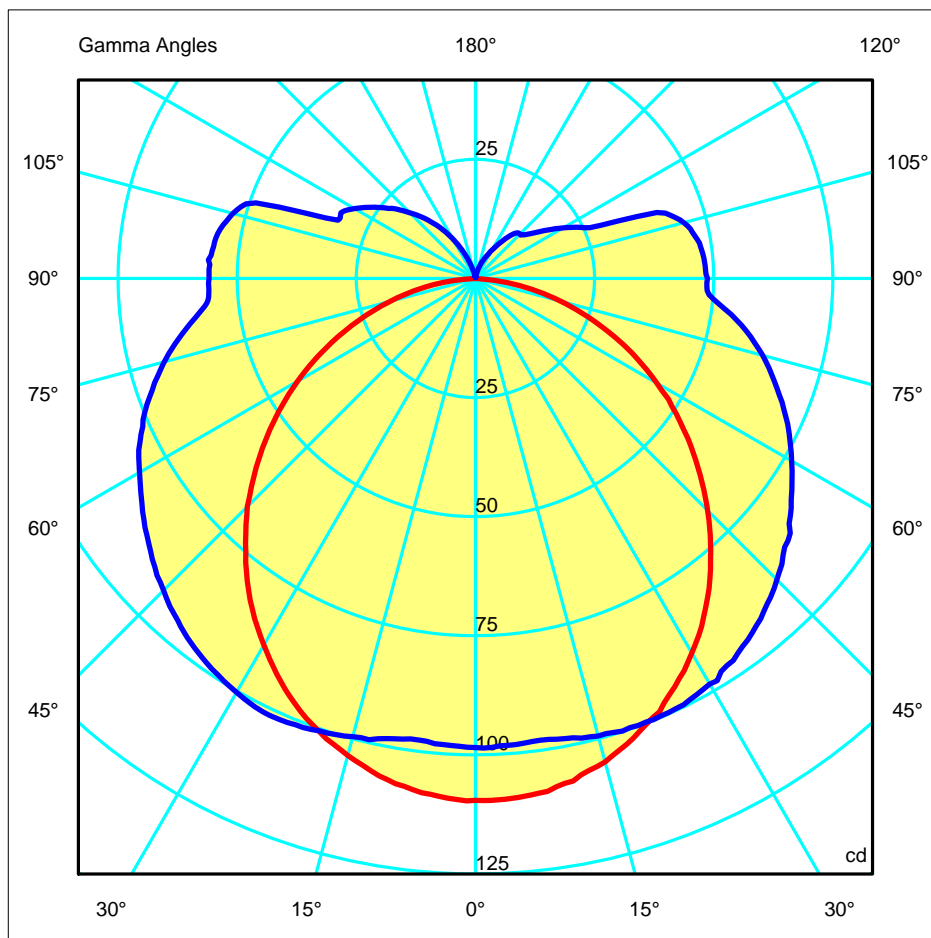
180.0 — 0.0

270.0 — 90.0

ULOR 8.99 %

DLOR 33.15 %

RN 21.32 %

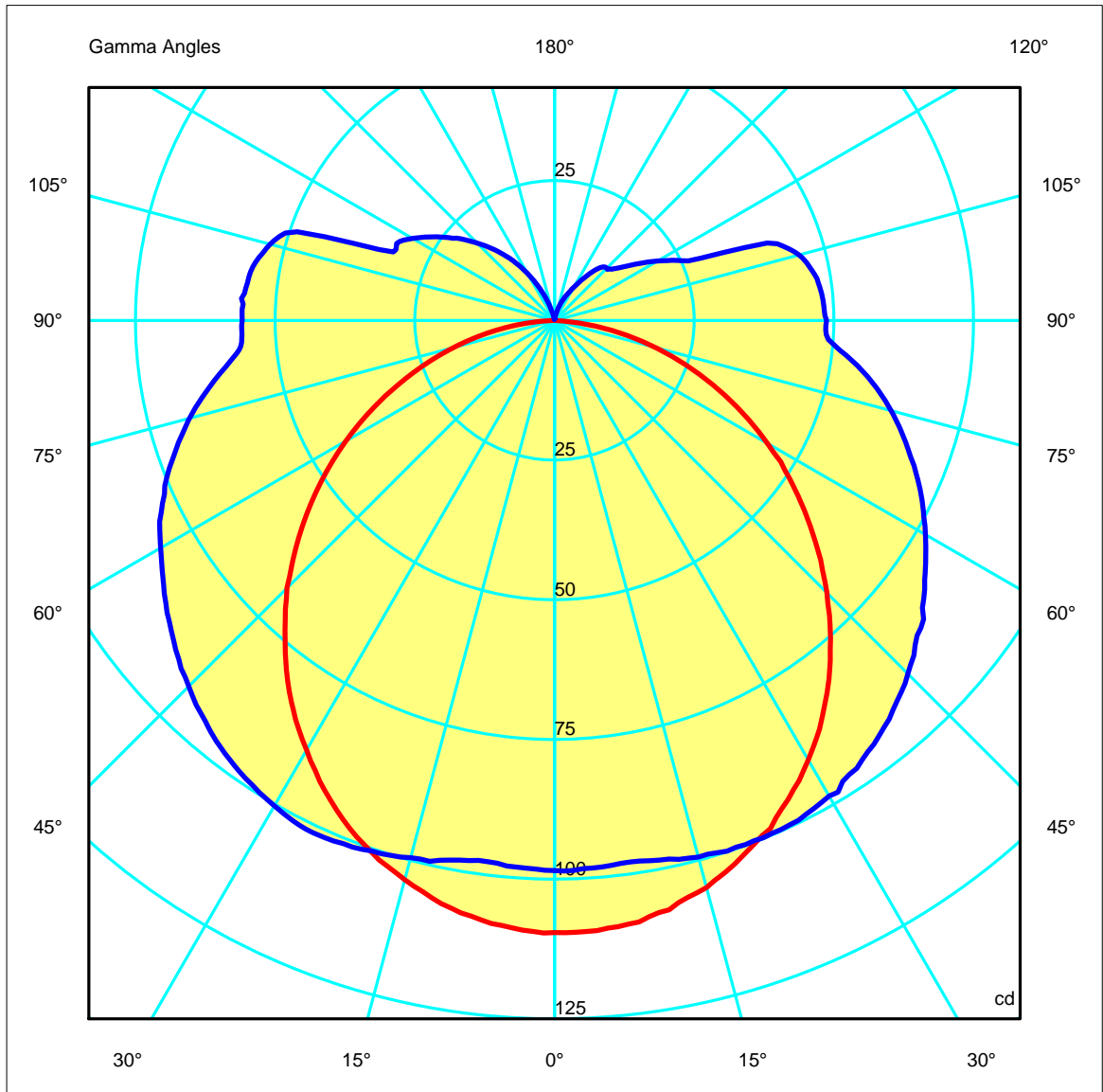
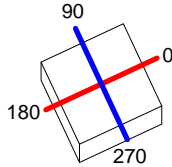


<b>Luminaire</b>		<b>Measur.</b>		<b>Lamp</b>	
Code	05-9686	Code	05-9686	Code	E27
Name	outdoor	Name	outdoor	Number	1
Line	Eulumdat	Date	17-12-2013	Position	
Efficiency	42.14%	Coordinate system	CG	Total Flux	1200.00 lm

1mm x 1mm

C Halfplanes

180.0 ——— 0.0  
 270.0 ——— 90.0



---

<b>Luminaire</b>		<b>Measurem.</b>		<b>Lamp</b>	
Code	05-9686	Code	05-9686	Code	E27
Name	outdoor	Name	outdoor	Number	1
Line	Eulumdat	Date	17-12-2013	Position	

---

Efficiency	42.14%	Coordinate system	CG	Total Flux	1200.00 lm
------------	--------	-------------------	----	------------	------------

---

Could not find 90270 left beam angle • gamma0180=0

**Luminaire**  
 Code 05-9686  
 Name outdoor  
 Line Eulumdat

**Measur.**  
 Code 05-9686  
 Name outdoor  
 Date 17-12-2013

**Lamp**  
 Code E27  
 Number 1  
 Position

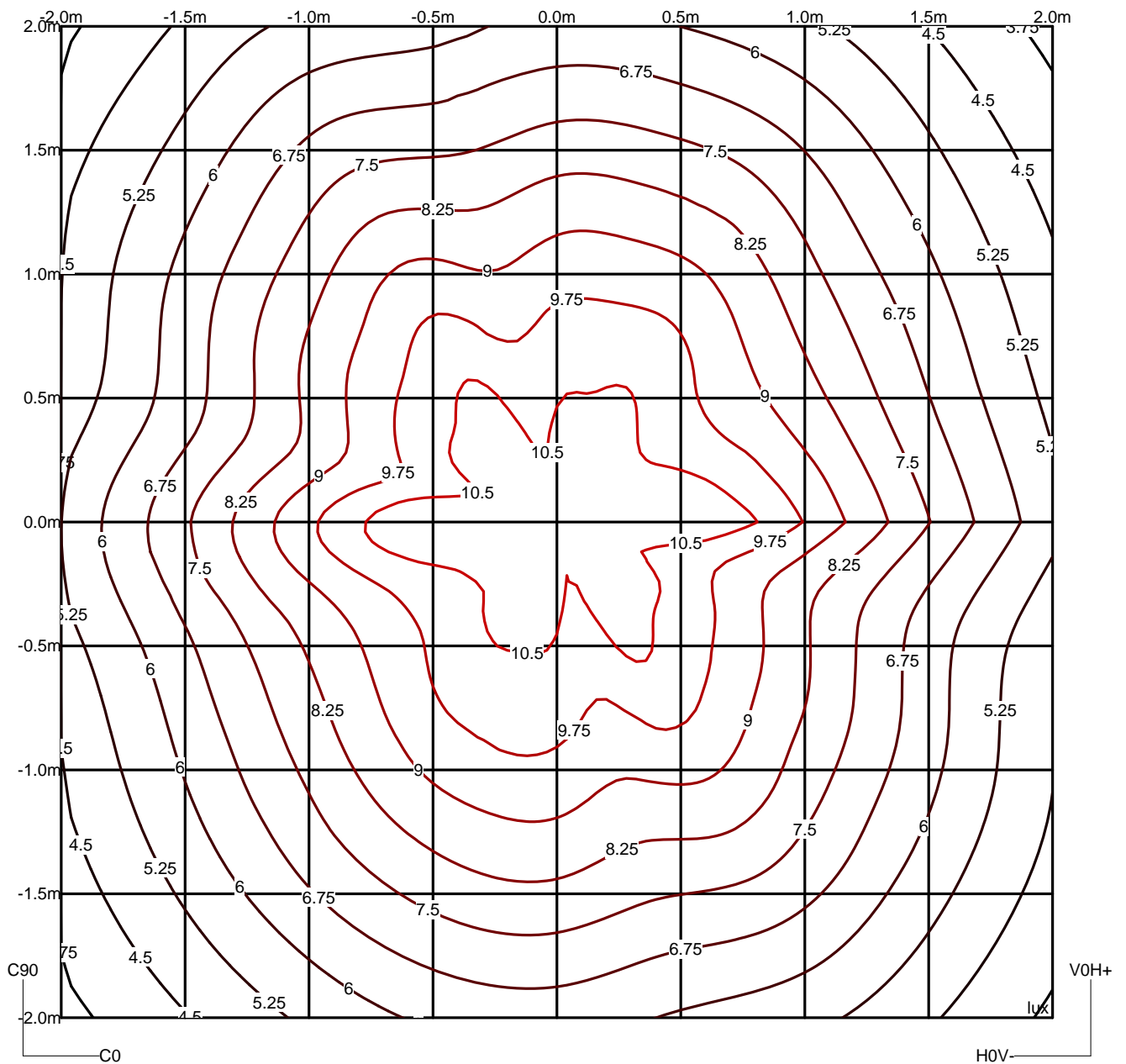
Efficiency 42.14%

Coordinate system CG

Total Flux 1200.00 lm

Isolux (Floor)

Luminaire position X=0.00m Y=0.00m Z=3.00m



**Luminaire**  
 Code 05-9686  
 Name outdoor  
 Line Eulumdat

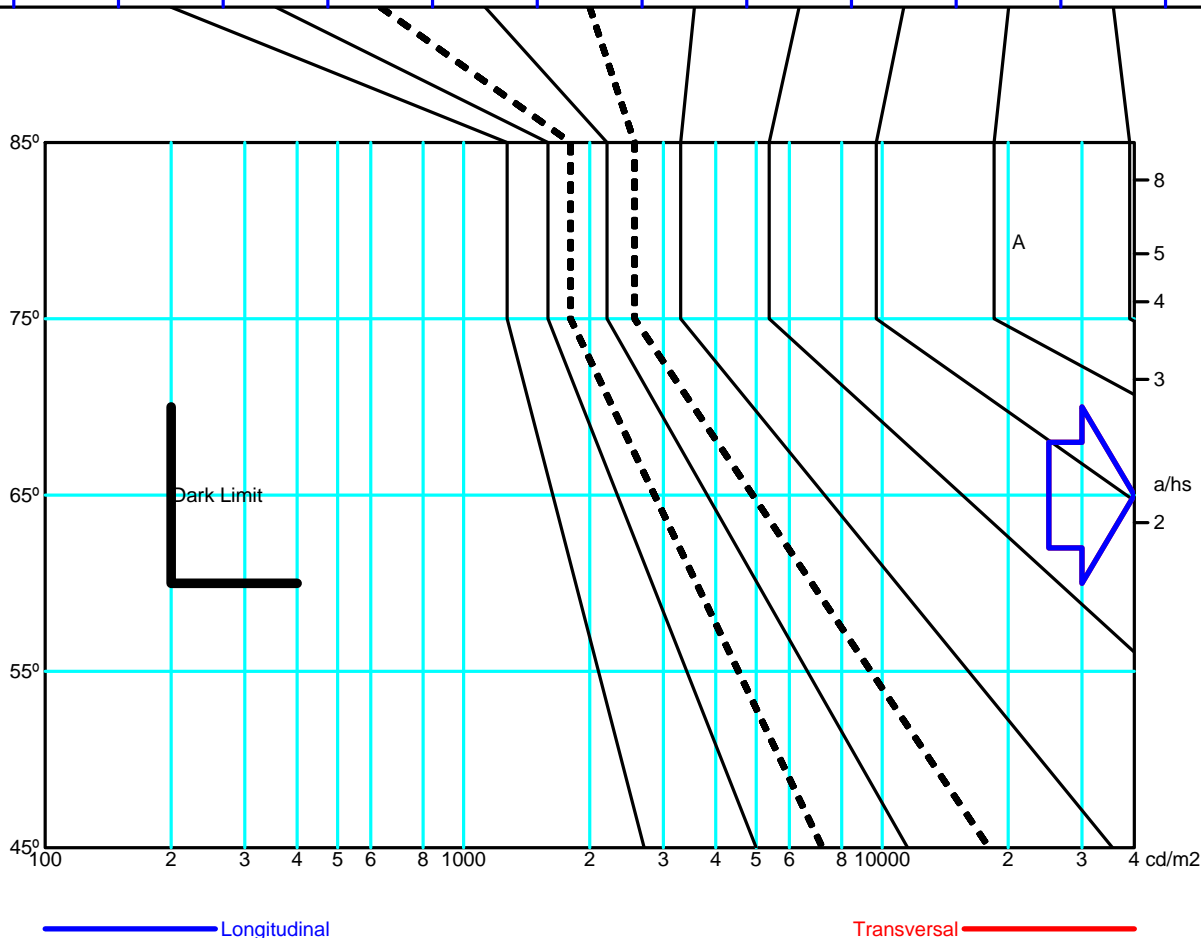
**Measur.**  
 Code 05-9686  
 Name outdoor  
 Date 17-12-2013

**Lamp**  
 Code E27  
 Number 1  
 Position

Efficiency 42.14%      Coordinate system CG      Total Flux 1200.00 lm

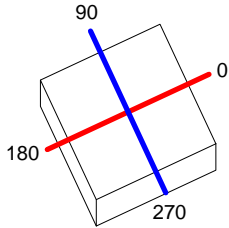
		Average Luminance [cd/m <sup>2</sup> ]									
		45°	50°	55°	60°	65°	70°	75°	80°	85°	
0.0°	48733797	43078236	37645532	32188277	26773499	20932924	15170503	9184643	2649193	---	
90.0°	63243628	60759546	58073057	56104377	54382259	52523469	50941225	48935831	46337726	---	

Flush mounted or longitudinal view												
		Illumination(lx)										
A	A	2000	1000	750	500		<300				1.15	
B	1		2000	1500	1000	750	500	<300			1.5	
C					2000		1000	500	<300		1.85	
D	2						2000	1000	500	<300	2.2	
E	3							2000	1000	500	<300	2.55



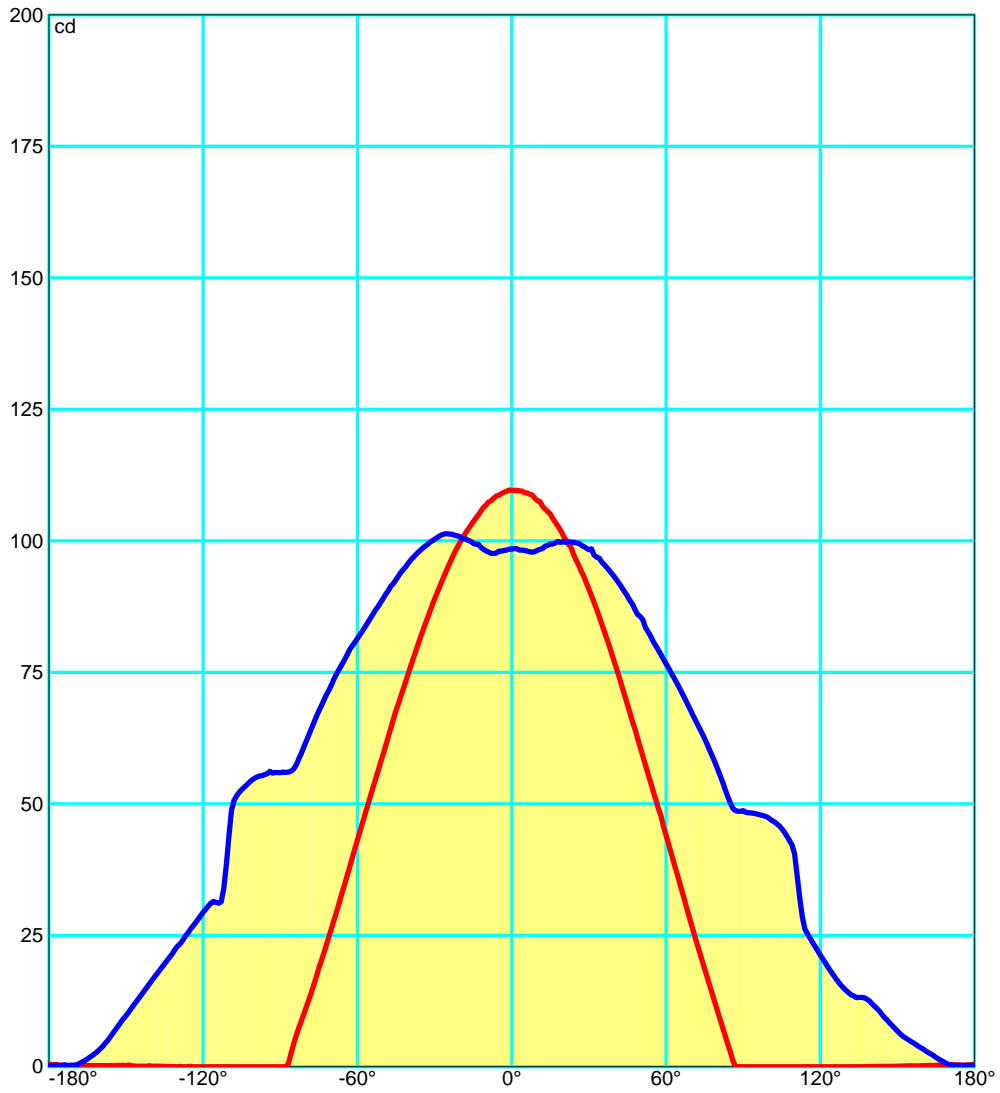
<b>Luminaire</b>		<b>Measur.</b>		<b>Lamp</b>	
Code	05-9686	Code	05-9686	Code	E27
Name	outdoor	Name	outdoor	Number	1
Line	Eulumdat	Date	17-12-2013	Position	
Efficiency	42.14%	Coordinate system	CG	Total Flux	1200.00 lm

1mm x 1mm



C Halfplanes

180.0 ——— 0.0  
270.0 ——— 90.0



<b>Luminaire</b>		<b>Measur.</b>		<b>Lamp</b>	
Code	05-9686	Code	05-9686	Code	E27
Name	outdoor	Name	outdoor	Number	1
Line	Eulumdat	Date	17-12-2013	Position	
Efficiency	42.14%	Coordinate system	CG	Total Flux	1200.00 lm

**UGR**  
S = 0.250

Reflectancies										
Ceiling/Cavity	0.7	0.7	0.5	0.5	0.3	0.7	0.7	0.5	0.5	0.3
Walls	0.5	0.3	0.5	0.3	0.3	0.5	0.3	0.5	0.3	0.3
WorkingPlane	0.2	0.2	0.2	0.2	0.2	0.2	0.2	0.2	0.2	0.2
RoomDimensions	ViewedCrosswise					ViewedEndwise				
x=2H y=2H	46.7	47.9	47.3	48.5	51.8	49.4	50.6	50.0	51.2	51.8
x=2H y=3H	47.9	49.0	48.5	49.6	54.1	51.7	52.8	52.3	53.4	54.1
x=2H y=4H	48.3	49.3	48.9	49.9	55.2	52.9	53.9	53.5	54.5	55.2
x=2H y=6H	48.5	49.4	49.1	50.1	56.4	54.0	55.0	54.6	55.6	56.4
x=2H y=8H	48.5	49.4	49.2	50.1	56.9	54.5	55.5	55.2	56.1	56.9
x=2H y=12H	48.5	49.3	49.1	50.0	57.4	55.1	55.9	55.7	56.6	57.4
x=4H y=2H	47.9	48.9	48.5	49.5	52.2	49.8	50.8	50.4	51.5	52.2
x=4H y=3H	49.3	50.1	49.9	50.8	54.6	52.3	53.2	53.0	53.9	54.6
x=4H y=4H	49.8	50.6	50.5	51.3	55.9	53.6	54.4	54.3	55.1	55.9
x=4H y=6H	50.1	50.8	50.8	51.5	57.2	55.0	55.7	55.7	56.4	57.2
x=4H y=8H	50.2	50.9	50.9	51.6	57.8	55.6	56.3	56.4	57.0	57.8
x=4H y=12H	50.2	50.8	51.0	51.6	58.5	56.3	56.9	57.0	57.6	58.5
x=8H y=4H	50.6	51.3	51.4	52.0	56.0	53.8	54.5	54.6	55.2	56.0
x=8H y=6H	51.2	51.7	51.9	52.5	57.5	55.3	55.9	56.1	56.6	57.5
x=8H y=8H	51.4	51.9	52.2	52.6	58.3	56.1	56.6	56.9	57.4	58.3
x=8H y=12H	51.5	51.9	52.3	52.7	59.1	57.0	57.4	57.7	58.2	59.1
x=12H y=4H	50.8	51.4	51.6	52.2	56.0	53.8	54.4	54.6	55.2	56.0
x=12H y=6H	51.5	52.0	52.3	52.8	57.5	55.4	55.9	56.1	56.6	57.5
x=12H y=8H	51.8	52.2	52.6	53.0	58.3	56.2	56.6	57.0	57.4	58.3



<b>Luminaire</b>	<b>Measur.</b>	<b>Lamp</b>
Code 05-9686	Code 05-9686	Code E27
Name outdoor	Name outdoor	Number 1
Line Eulumdat	Date 17-12-2013	Position

Efficiency 42.14%	Coordinate system CG	Total Flux 1200.00 lm
-------------------	----------------------	-----------------------

Total Flux=1200.00 Luminaire Flux=505.68

	0.60	0.80	1.00	1.25	1.50	2.00	2.50	3.00	4.00	5.00	10.00	20.00
RI	0.23	0.31	0.37	0.44	0.49	0.58	0.64	0.68	0.74	0.78	0.87	0.93
DRR	7	7	7	7	7	7	7	7	7	7	7	7
RC												

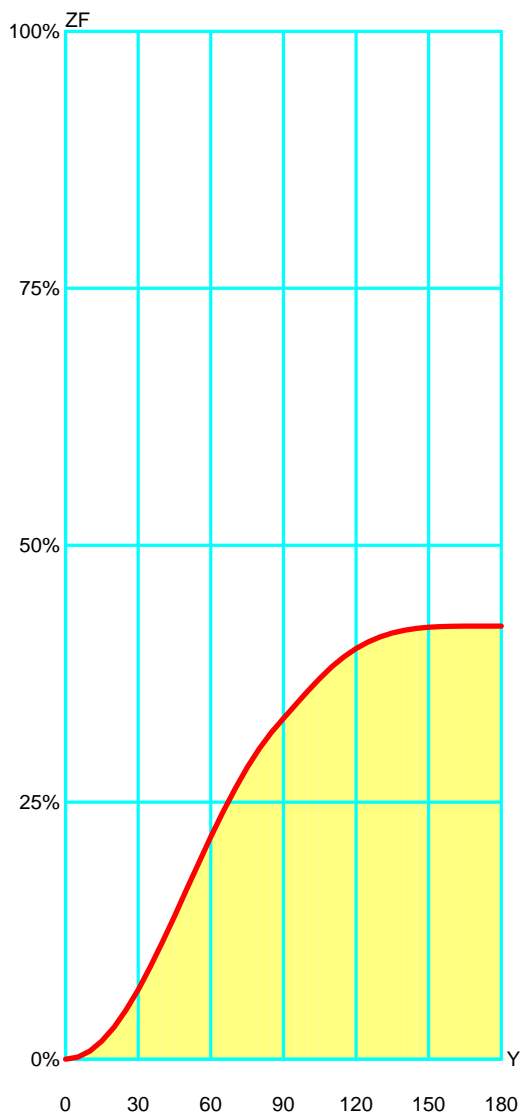
Zonal Flux per 1000 Lumen

	10	20	30	40	50	60	70	80	90	100	110	120	130	140	150	160	170	180
Y°	8	31	68	114	165	216	263	302	332	358	382	399	411	417	420	421	421	421
ZF(Y)																		

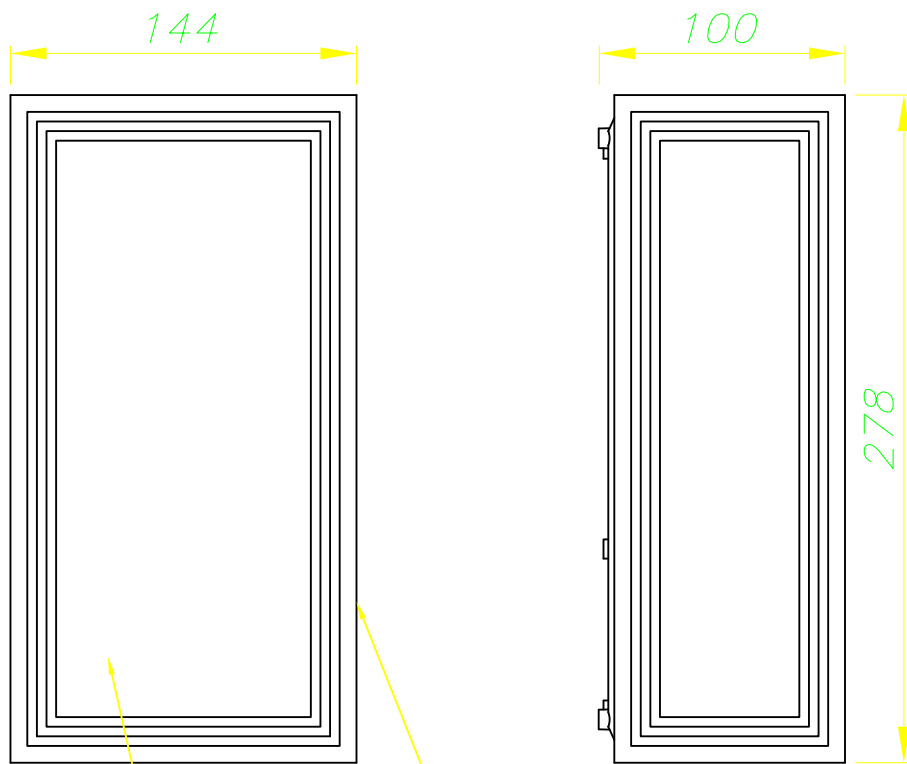
CIE Flux Codes

36 65 86 79 42

C.I.E.	7	LOR	42.13981 %
D DIN 5040	B21	ULOR	8.98555 %
F UTE	0.33 H + 0.09 T	DLOR	33.15427 %
B NBN	BZ 6	UFF	21.32318 %
RN	21.32318 %	DFF	78.67682 %
BLF	1.0	FFR	27.10223 %

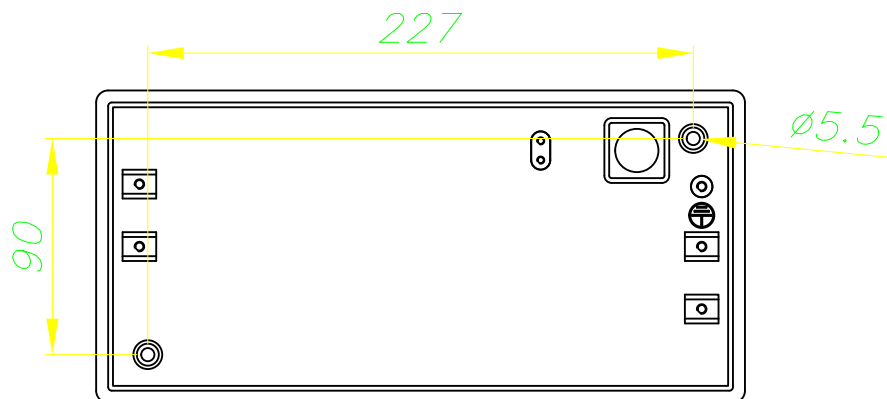
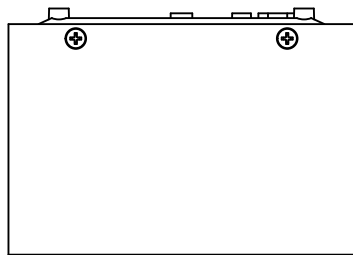


Zonal Flux				
Gamma °	Flux	Sum lm	Flux [%]	Sum [%]
0°	0.00	0.00	0.00%	0.00%
5°	2.00	2.00	0.47%	0.47%
10°	5.93	7.93	1.41%	1.88%
15°	9.76	17.69	2.32%	4.20%
20°	13.41	31.11	3.18%	7.38%
25°	16.79	47.90	3.98%	11.37%
30°	19.76	67.66	4.69%	16.06%
35°	22.23	89.89	5.28%	21.33%
40°	24.09	113.98	5.72%	27.05%
45°	25.30	139.29	6.00%	33.05%
50°	25.87	165.15	6.14%	39.19%
55°	25.83	190.99	6.13%	45.32%
60°	25.24	216.23	5.99%	51.31%
65°	24.19	240.42	5.74%	57.05%
70°	22.64	263.05	5.37%	62.42%
75°	20.67	283.73	4.91%	67.33%
80°	18.37	302.09	4.36%	71.69%
85°	15.77	317.86	3.74%	75.43%
90°	13.68	331.54	3.25%	78.68%
95°	13.38	344.92	3.18%	81.85%
100°	13.11	358.03	3.11%	84.96%
105°	12.45	370.48	2.95%	87.92%
110°	11.37	381.85	2.70%	90.61%
115°	9.64	391.49	2.29%	92.90%
120°	8.00	399.49	1.90%	94.80%
125°	6.40	405.89	1.52%	96.32%
130°	4.96	410.85	1.18%	97.50%
135°	3.74	414.59	0.89%	98.38%
140°	2.71	417.30	0.64%	99.03%
145°	1.80	419.10	0.43%	99.46%
150°	1.11	420.21	0.26%	99.72%
155°	0.64	420.86	0.15%	99.87%
160°	0.34	421.19	0.08%	99.95%
165°	0.15	421.34	0.03%	99.99%
170°	0.04	421.38	0.01%	100.00%
175°	0.01	421.39	0.00%	100.00%
180°	0.01	421.40	0.00%	100.00%



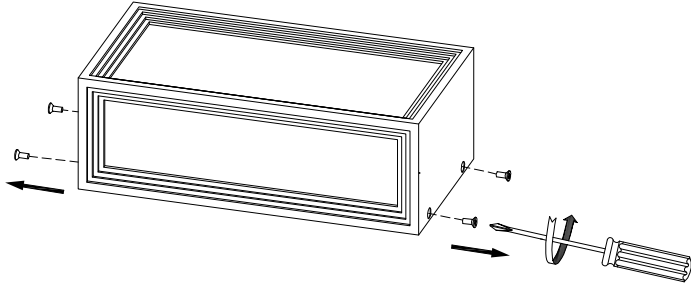
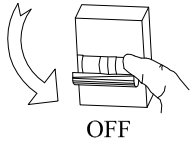
PC OPAL  
OPAL PC

ALUMINIO INYECTADO  
INJECTED ALUMINUM

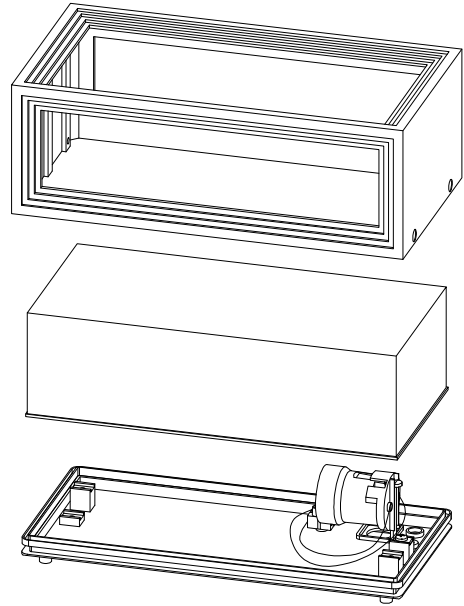


PLANTILLA DE INSTALACIÓN  
INSTALLATION TEMPLATE

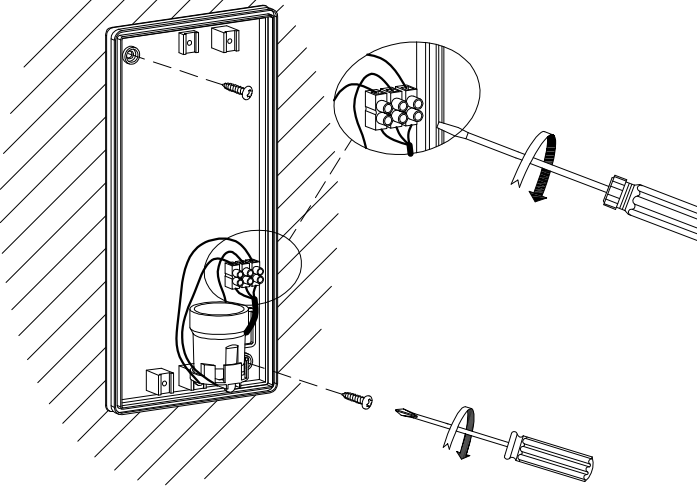
①



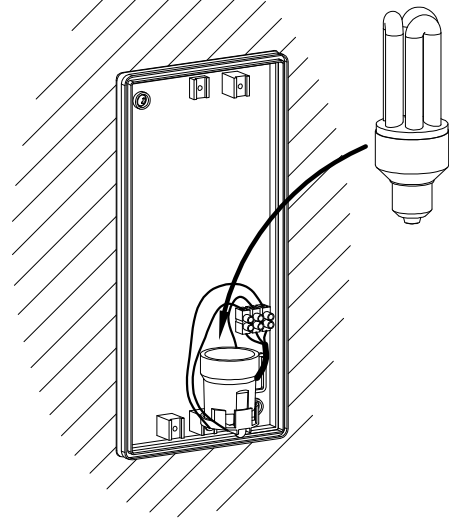
②



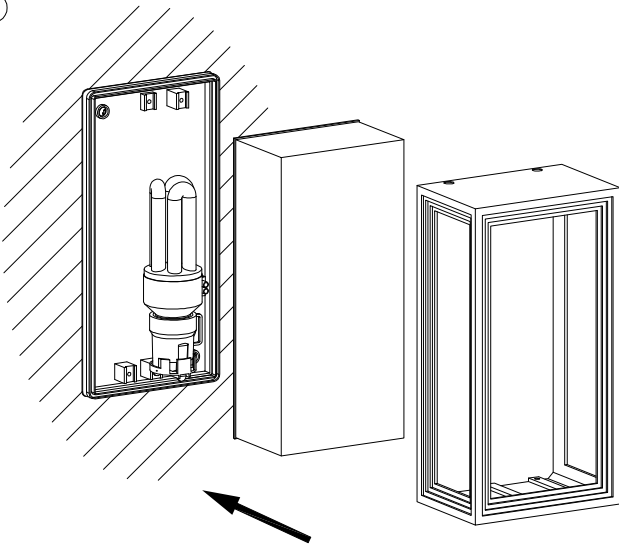
③



④



⑤



⑥

